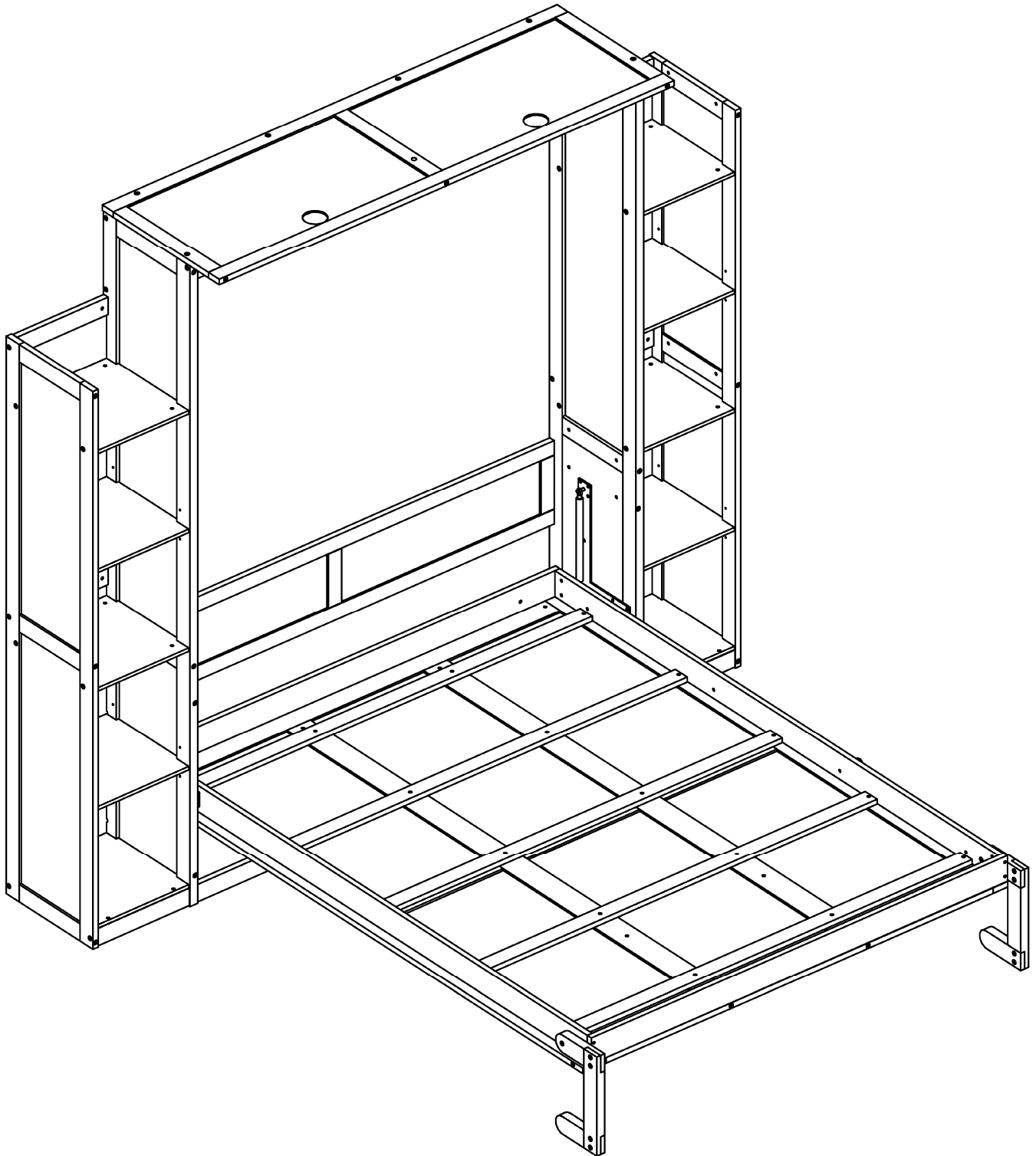
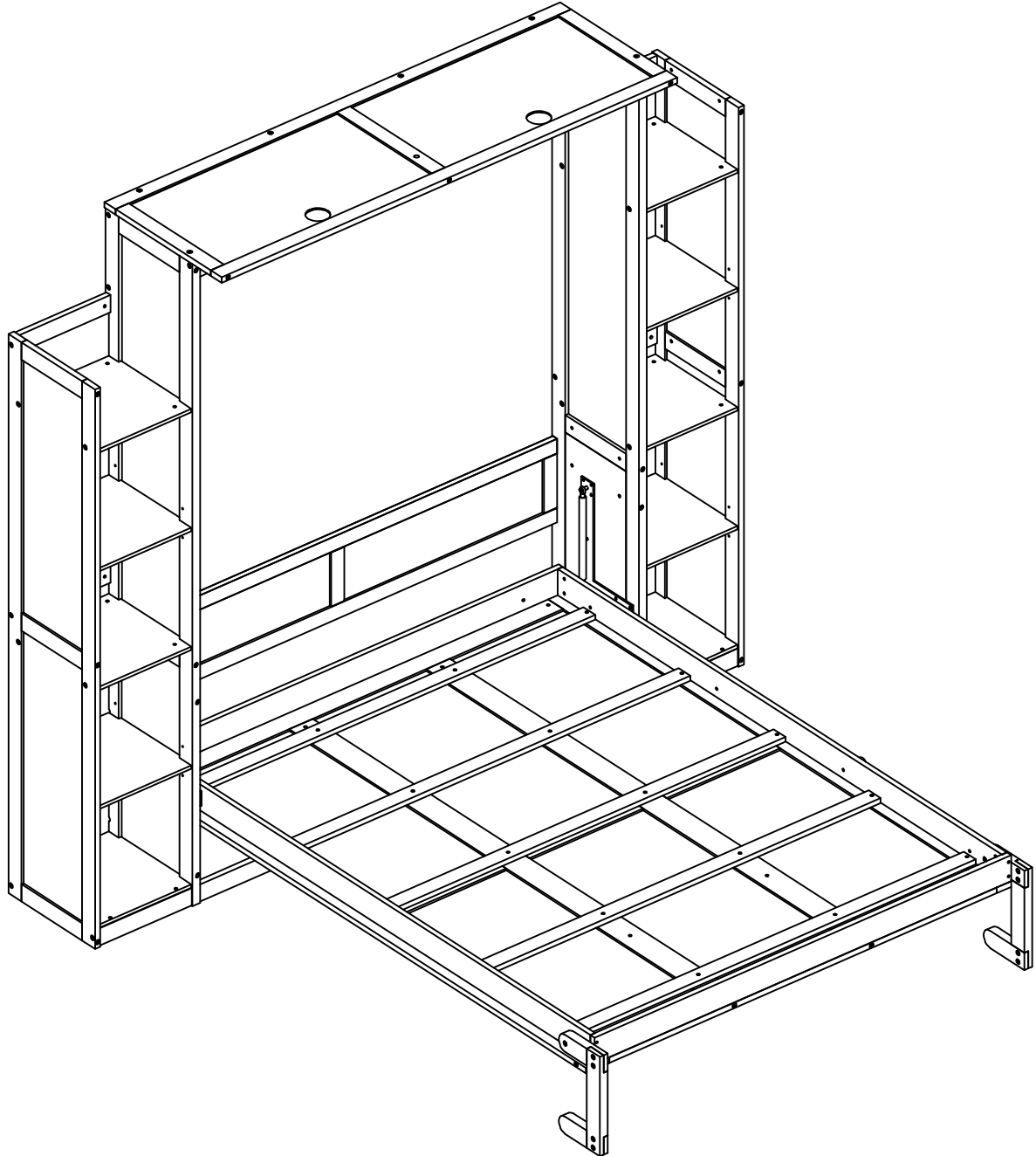


# ASSEMBLY INSTRUCTION

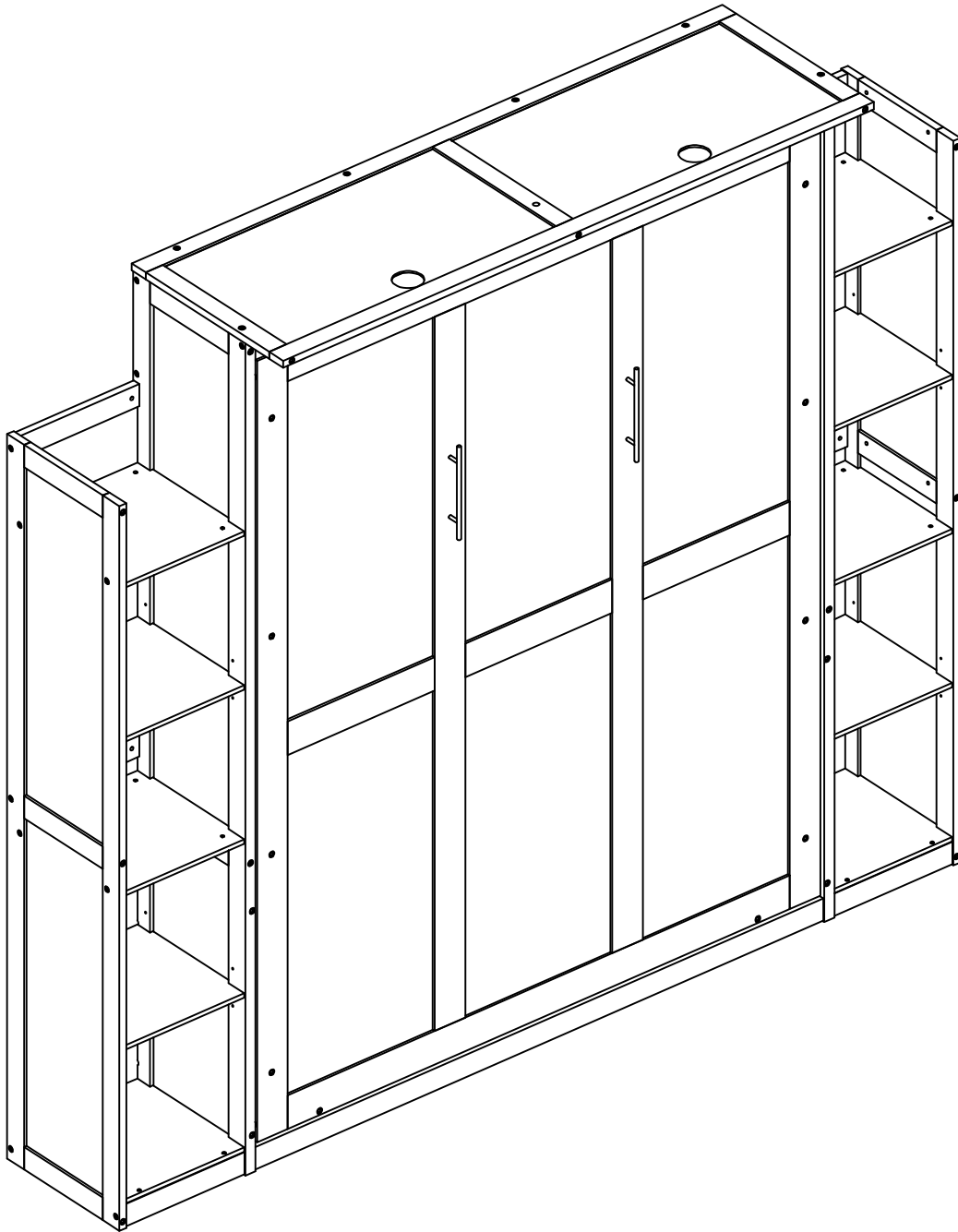


Four people are required to assemble and move this model.

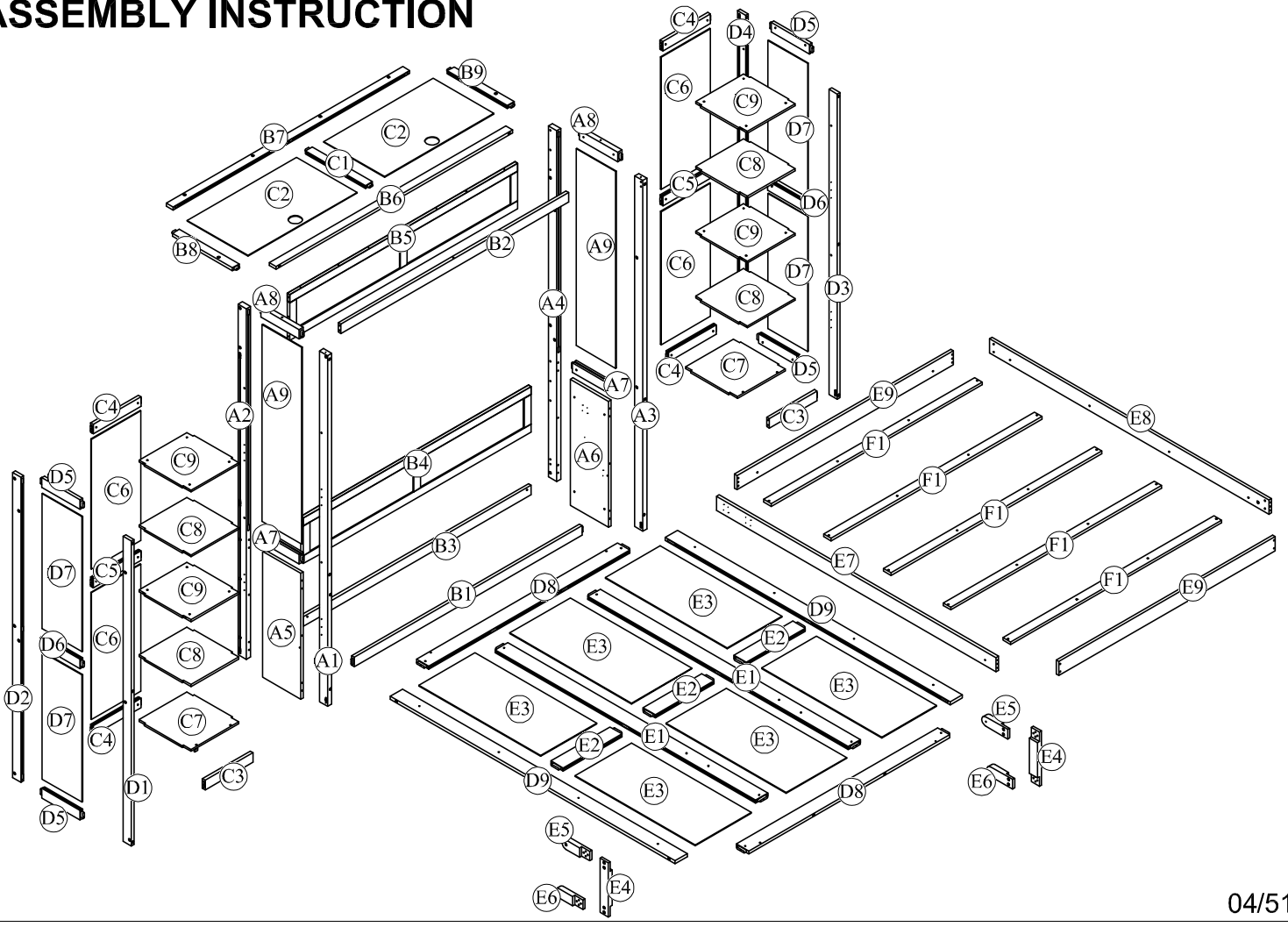
**OPTION 1**



**OPTION 2**

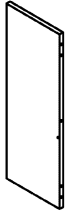


# ASSEMBLY INSTRUCTION



# Part List (Box 1)

A5



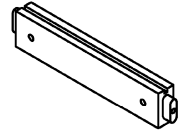
Panel-1pc

A6



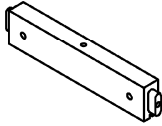
Panel-1pc

A7



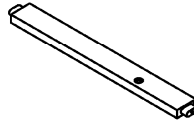
WoodBar-2pcs

A8



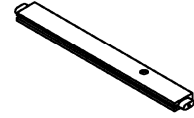
WoodBar-2pcs

B8



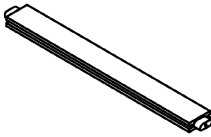
WoodBar-1pc

B9



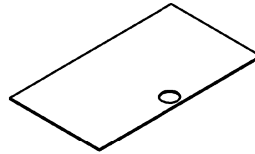
WoodBar-1pc

C1



WoodBar-1pc

C2



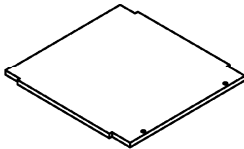
Panel-2pcs

C6



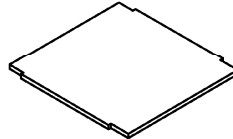
Panel-4pcs

C7



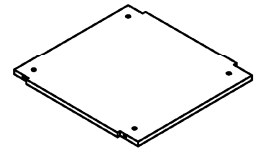
Panel-2pcs

C8



Panel-4pcs

C9



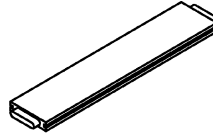
Panel-4pcs

D7



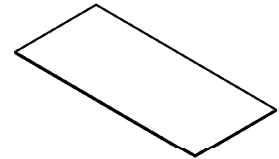
Panel-4pcs

E2



WoodBar-3pcs

E3



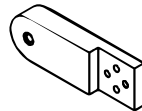
Panel-6pcs

E4



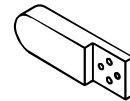
WoodBar-2pcs

E5



WoodBar-2pcs

E6



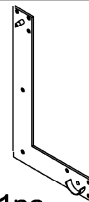
WoodBar-2pcs

F2



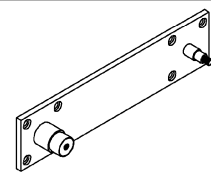
Metal corner link-1pc

F3



Metal corner link-1pc

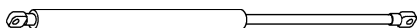
F4



Metal corner link-2pcs

F5

1100N



Piston Steam-2pcs

# Part List & Hardware List (Box 2)

A9



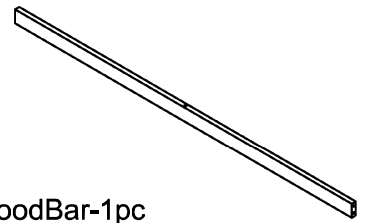
Panel-2pcs

B1



WoodBar-1pc

B2



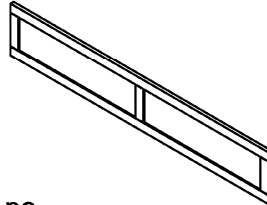
WoodBar-1pc

B3



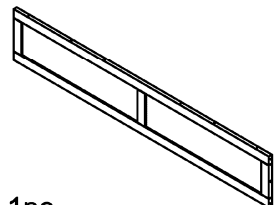
WoodBar-1pc

B4



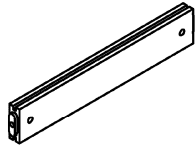
Panel-1pc

B5



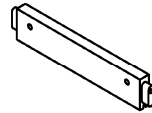
Panel-1pc

C5



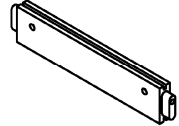
WoodBar-2pcs

D5



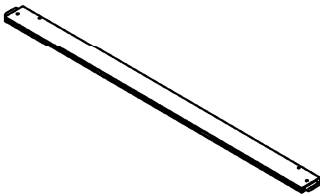
WoodBar-4pcs

D6



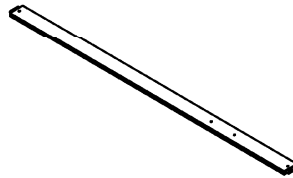
WoodBar-2pcs

D8



WoodBar-2pcs

E1



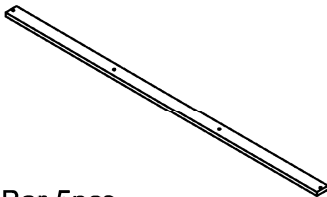
WoodBar-2pcs

E9



WoodBar-2pcs

F1



WoodBar-5pcs

# Part List (Box 3)

A1

Leg-1pc



A2

Leg-1pc



A3

Leg-1pc



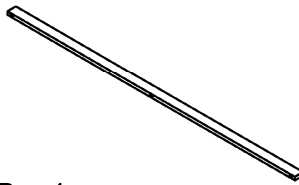
A4

Leg-1pc



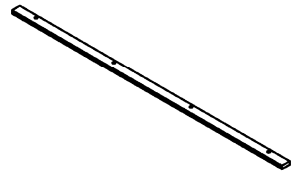
B6

WoodBar-1pc



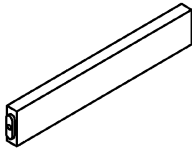
B7

WoodBar-1pc



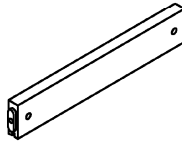
C3

WoodBar-2pcs



C4

WoodBar-4pcs



D1

Leg-1pc



D2

Leg-1pc



D3

Leg-1pc



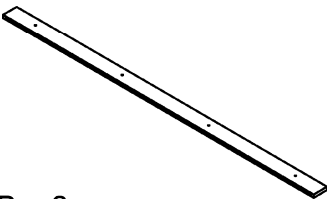
D4

Leg-1pc



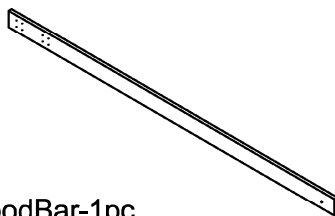
D9

WoodBar-2pcs



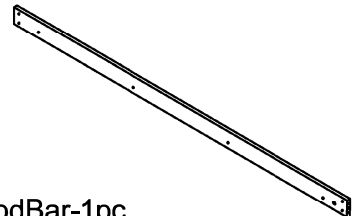
E7

WoodBar-1pc

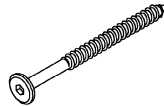






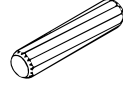

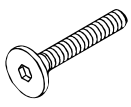
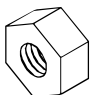
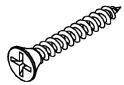
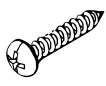
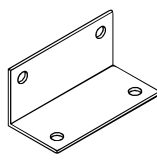
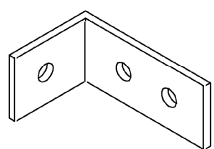


E8

WoodBar-1pc



# Hardware List (Box 2)

<p>1</p>  <p>Screws 1/4" x40 7pcs</p>	<p>2</p>  <p>Screws 1/4" x60 6pcs</p>	<p>3</p>  <p>Ø1/4" x 20 mm Hex-Head bolts 8pcs</p>
<p>4</p>  <p>Ø1/4" x 40 mm Hex-Head bolts 2pcs</p>	<p>5</p>  <p>Ø1/4" x 60 mm Hex-Head bolts 20pcs</p>	<p>6</p>  <p>Ø1/4" x 70 mm Hex-Head bolts 44pcs</p>
<p>7</p>  <p>Ø1/4" x 100 mm Hex-Head bolts 28pcs</p>	<p>8</p>  <p>Ø1/4" x 120 mm Hex-Head bolts 8pcs</p>	<p>9</p>  <p>Ø8 x 30 mm Wood dowel 32pcs</p>
<p>10</p>  <p>Ø1/4" x 13 mm Horizontal-Hole bolts 100pcs</p>	<p>11</p>  <p>Ø1/4" x 15 mm T-Nut 10pcs</p>	<p>12</p>  <p>Ø1/3" x 40 mm Hex-Head bolts 2pcs</p>
<p>13</p>  <p>Ø8 x 20 mm Wood dowel 8pcs</p>	<p>14</p>  <p>Nut 4pcs</p>	<p>15</p>  <p>Bearings 2pcs</p>
<p>16</p>  <p>M4 x 20 mm Wood Screws 36pcs</p>	<p>17</p>  <p>M4 x 30 mm Wood Screws 24pcs</p>	<p>18</p>  <p>M4 x 40 mm Wood Screws 4pcs</p>
<p>19</p>  <p>M4 x 15 mm Wood Screws 28pcs</p>	<p>20</p>  <p>Angle Metal 4pcs</p>	<p>21</p>  <p>Angle Metal 4pcs</p>

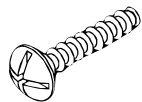
# Hardware List (Box 2)

22



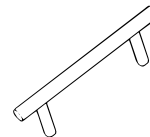
Ø20 / Ø6 x 2 mm  
Washer 2pcs

23



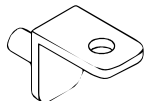
M4 x 25 mm  
Wood Screws 4pcs

24



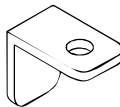
Handle 2pcs

25



Metal Patt 16pcs

26



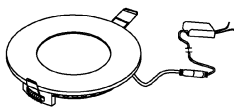
Metal Patt 2pcs

27



M3.5 x 12 mm  
Wood Screws 16pcs

28

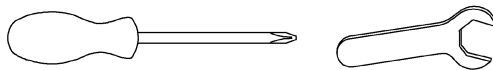


Led Light - 2pcs

29






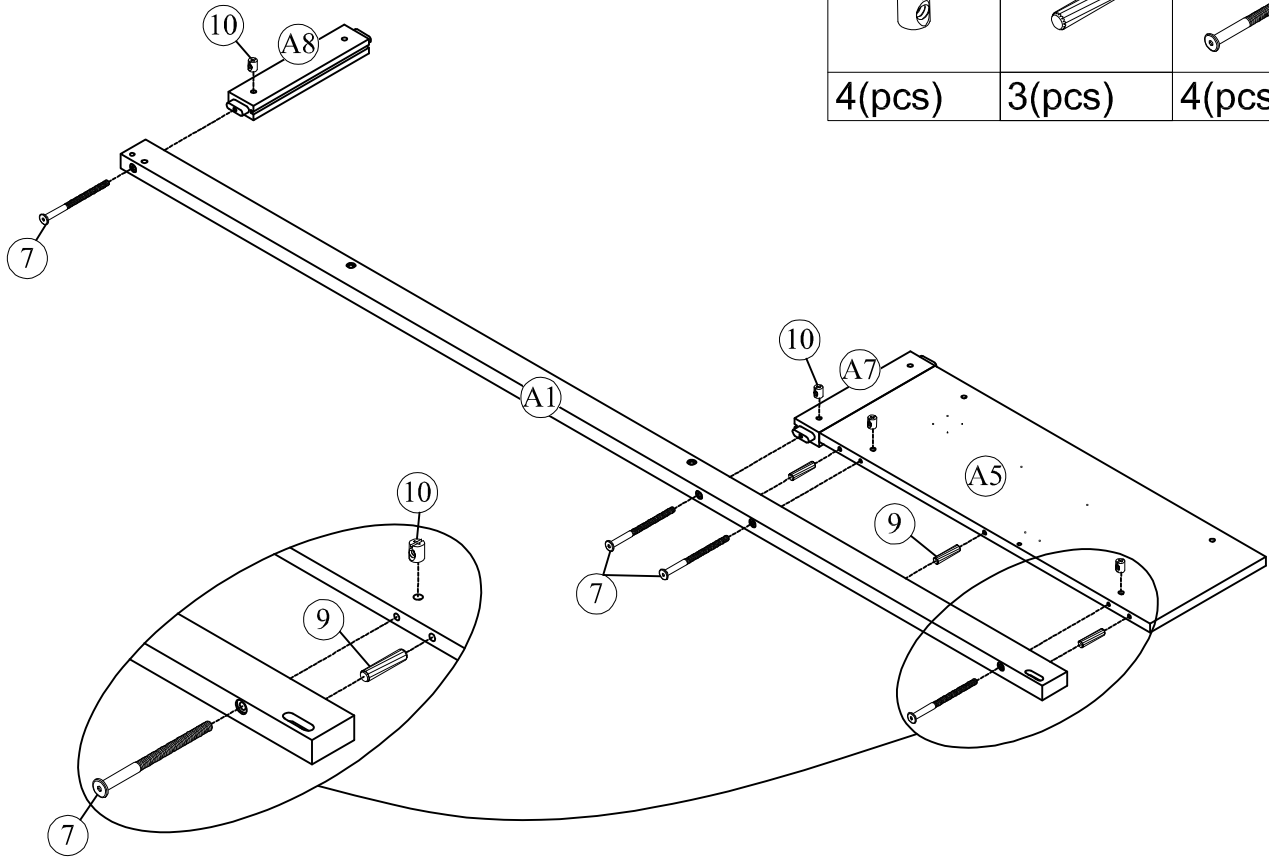
Allen Key 2pcs






**Assembly Tools Required (Not Included)**

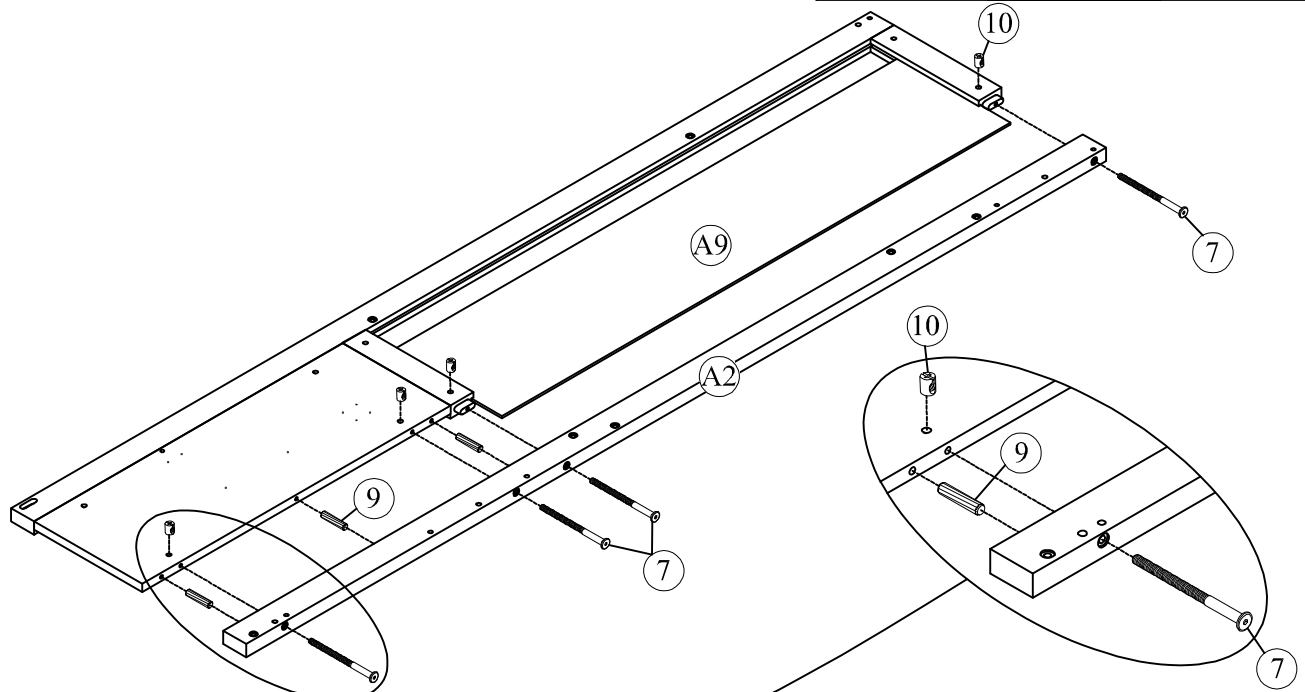
**STEP1:** Following below illustration.

10	9	7
		
4(pcs)	3(pcs)	4(pcs)






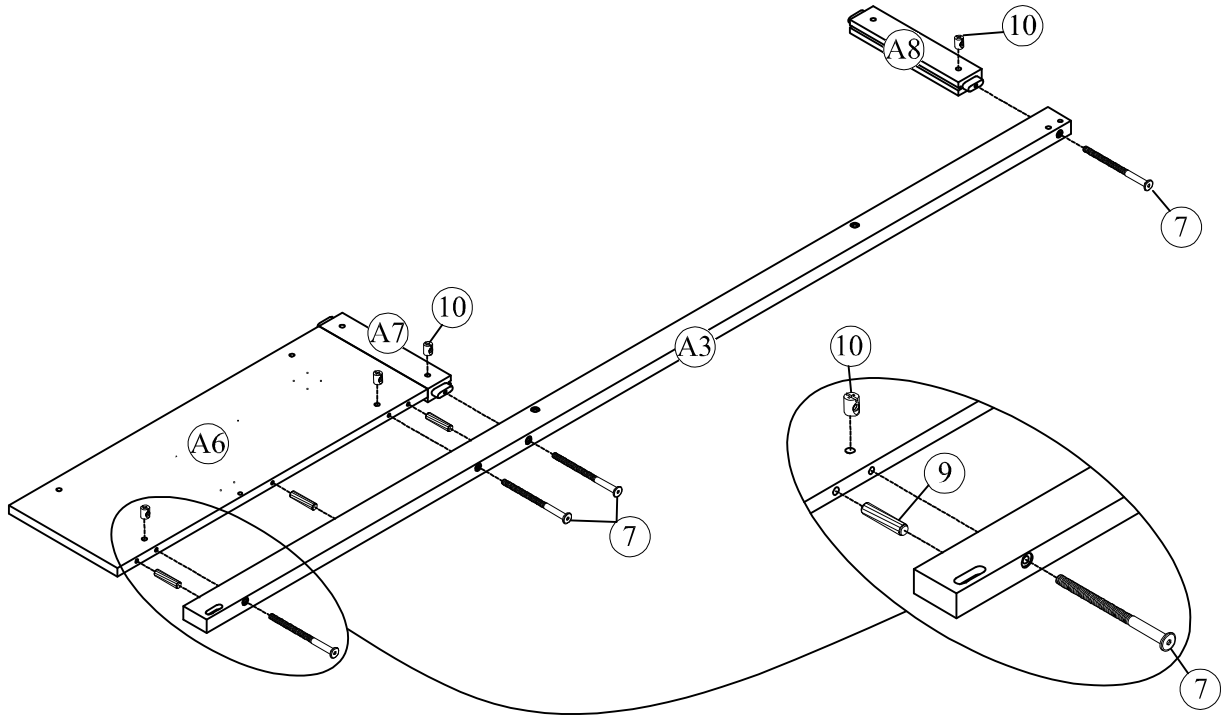
**STEP2:** Following below illustration.

10	9	7
		
4(pcs)	3(pcs)	4(pcs)






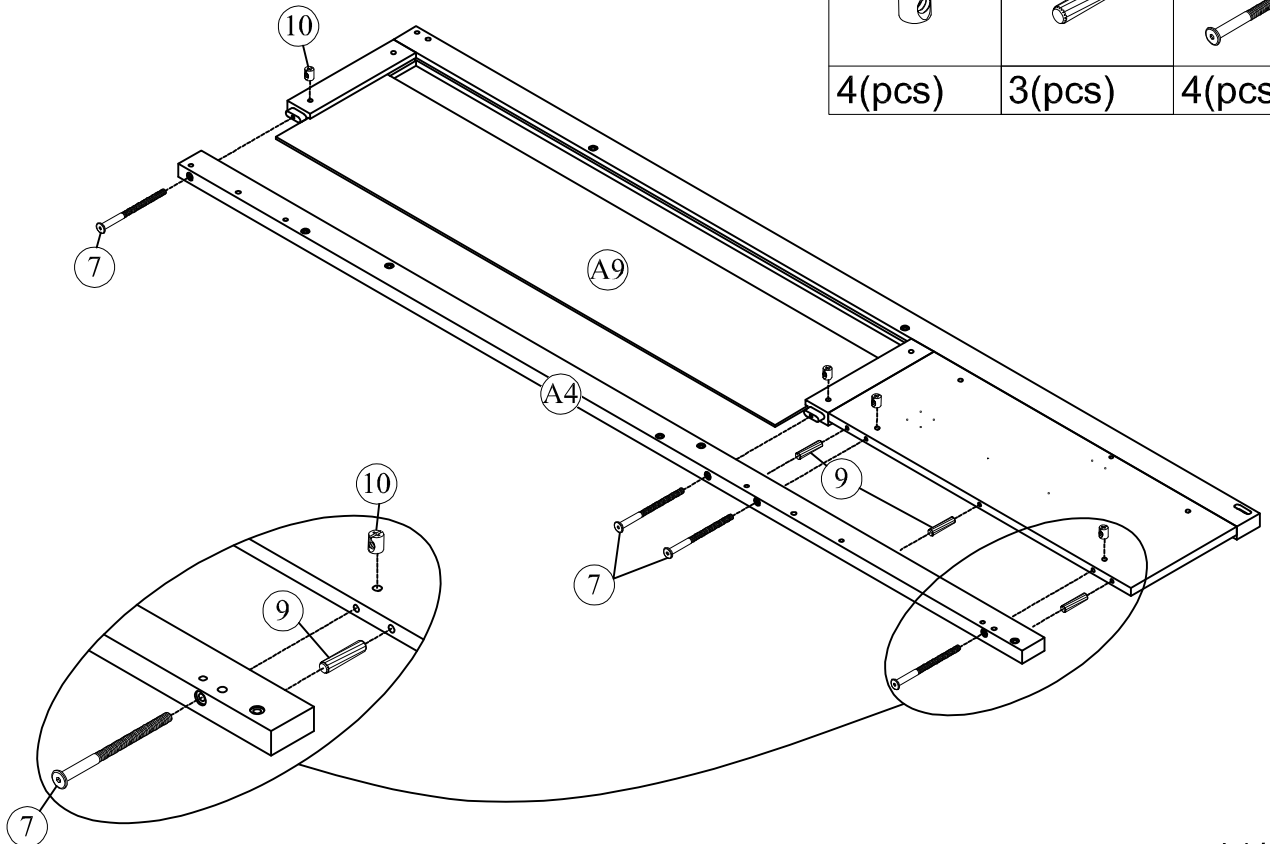
**STEP3:** Following below illustration.

10	9	7
		
4(pcs)	3(pcs)	4(pcs)






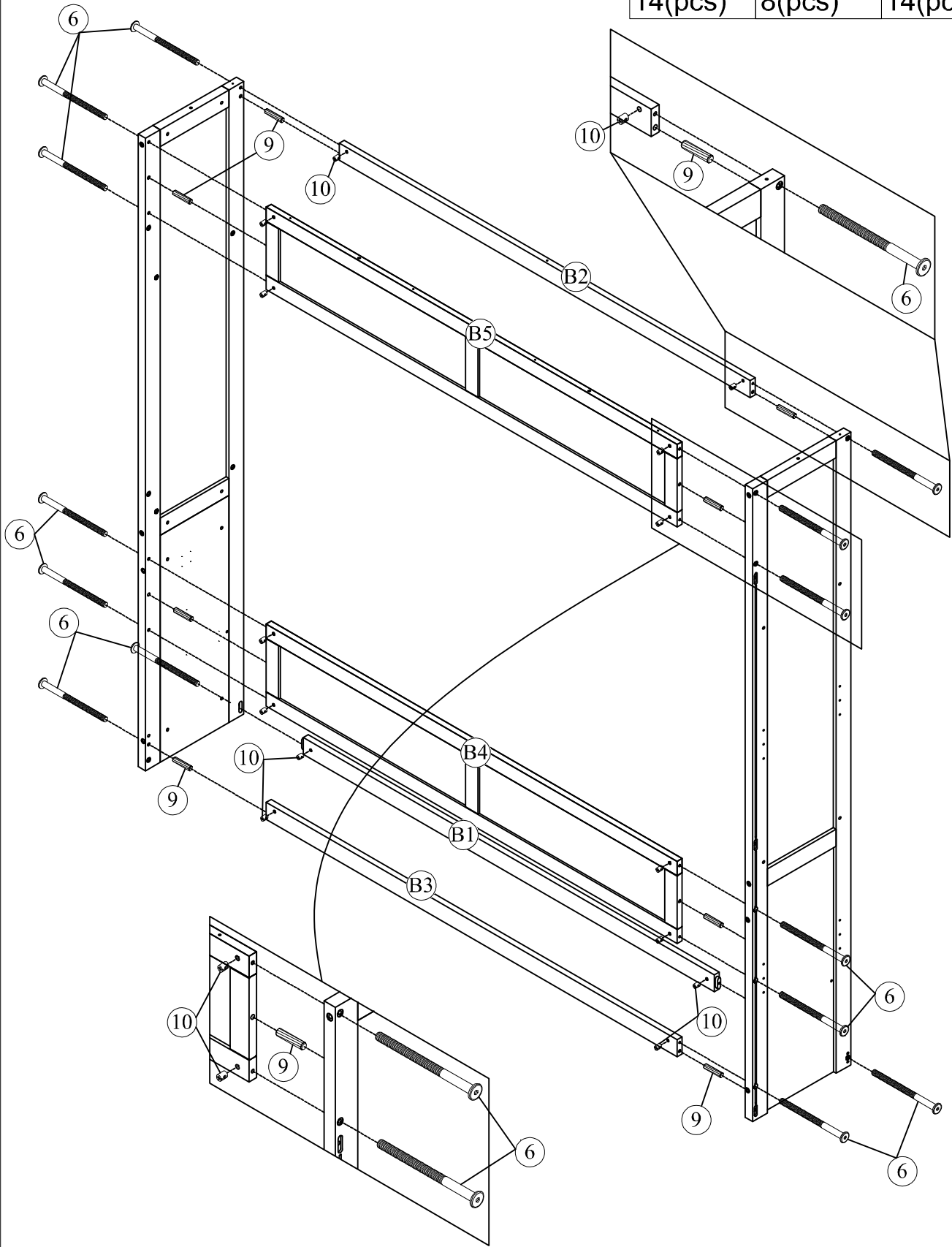
**STEP4:** Following below illustration.

10	9	7
		
4(pcs)	3(pcs)	4(pcs)

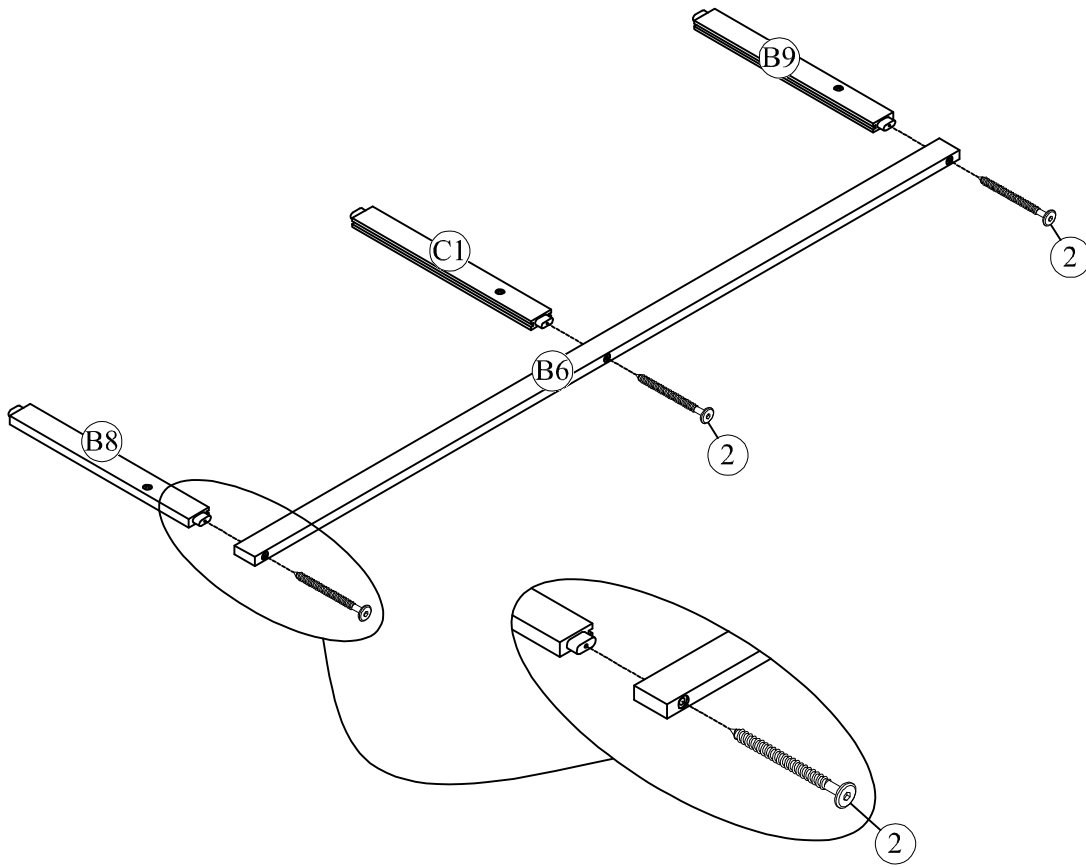


**STEP5:** Following below illustration.

10	9	6
		
14(pcs)	8(pcs)	14(pcs)



**STEP6:** Following below illustration.

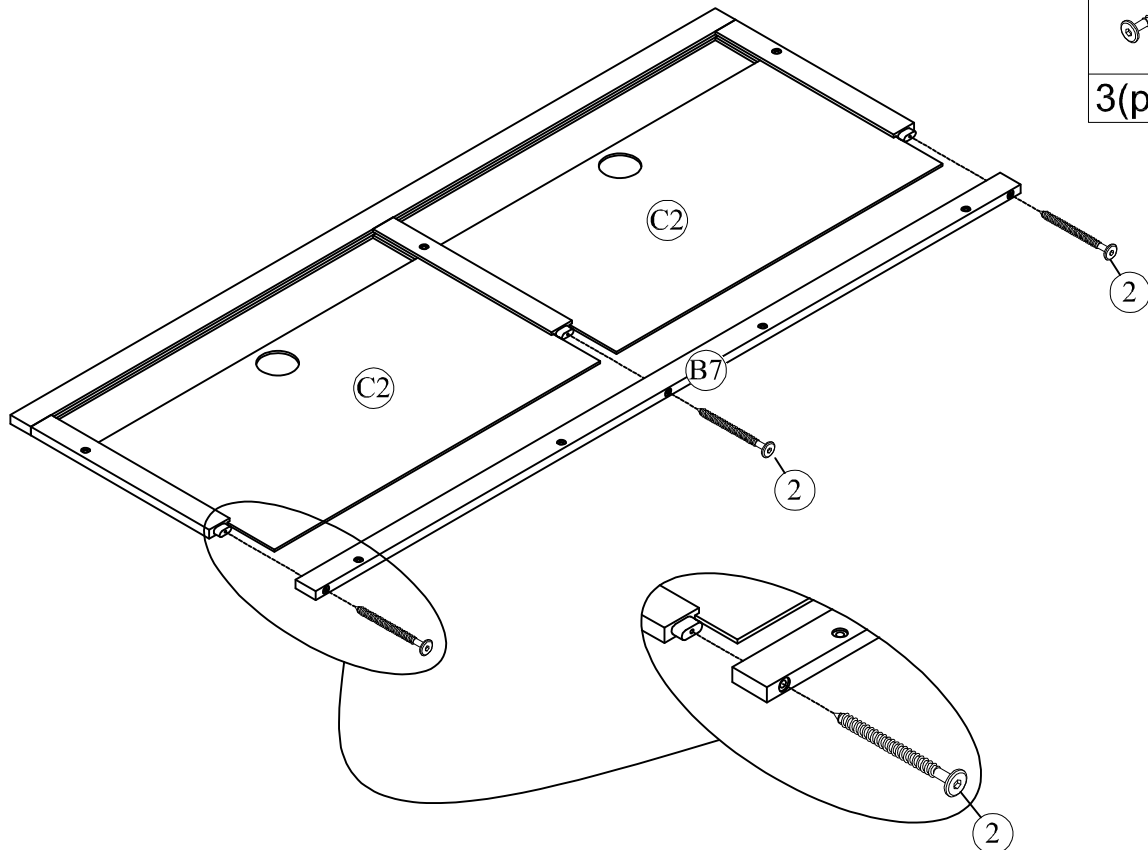


2



3(pcs)

**STEP7:** Following below illustration.



2



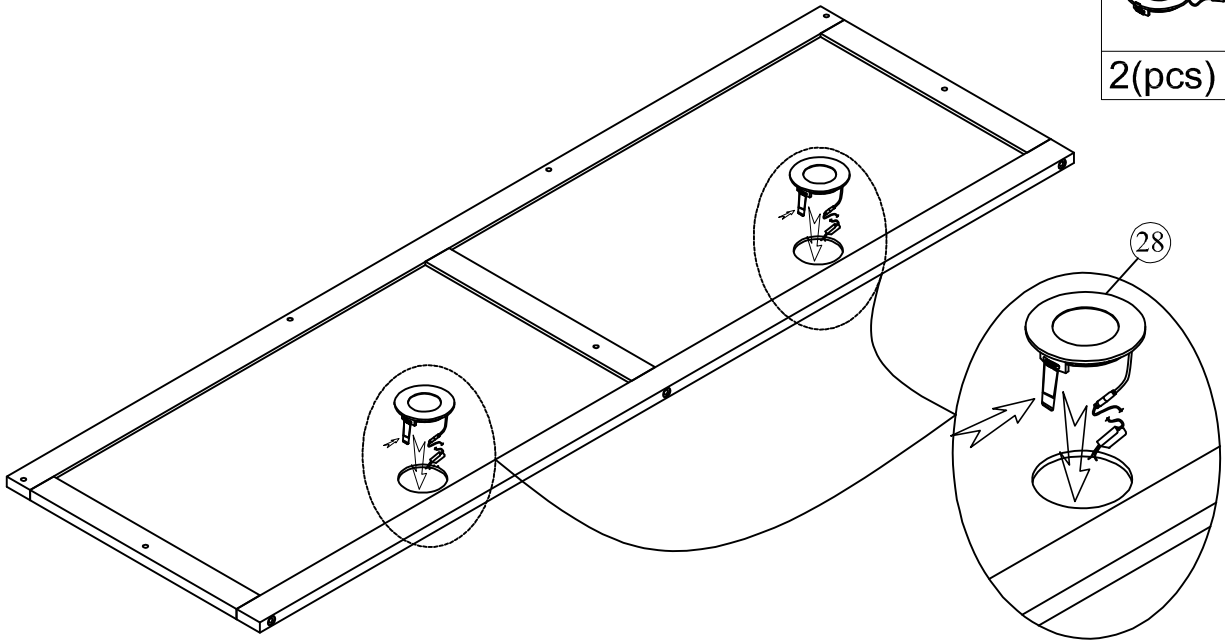
3(pcs)

**STEP8:** Following below illustration.

28



2(pcs)



**STEP9:** Following below illustration.

9

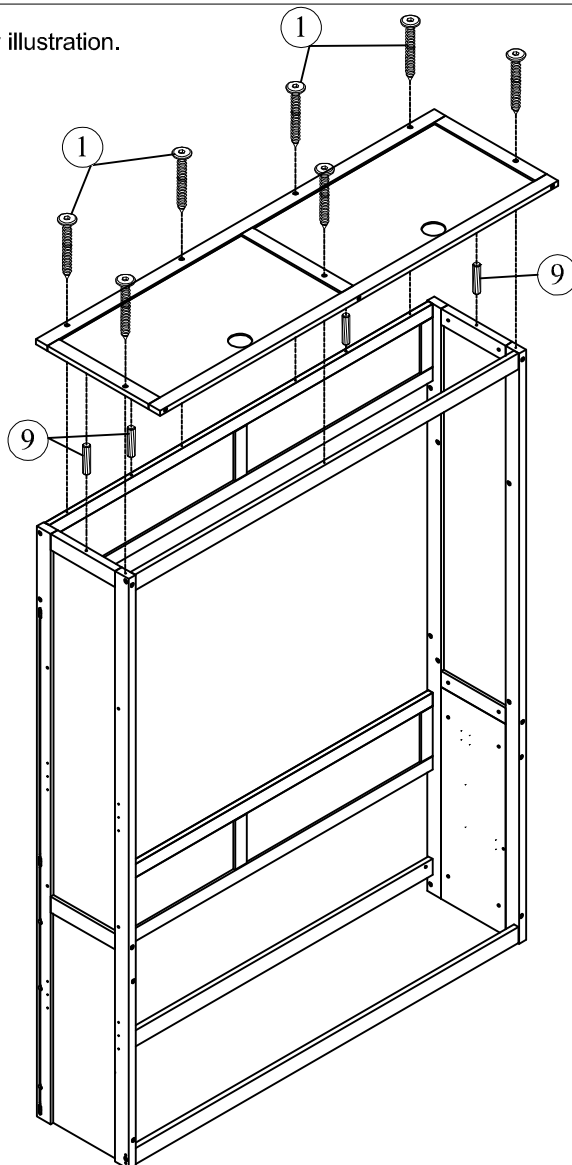


4(pcs)

1



7(pcs)

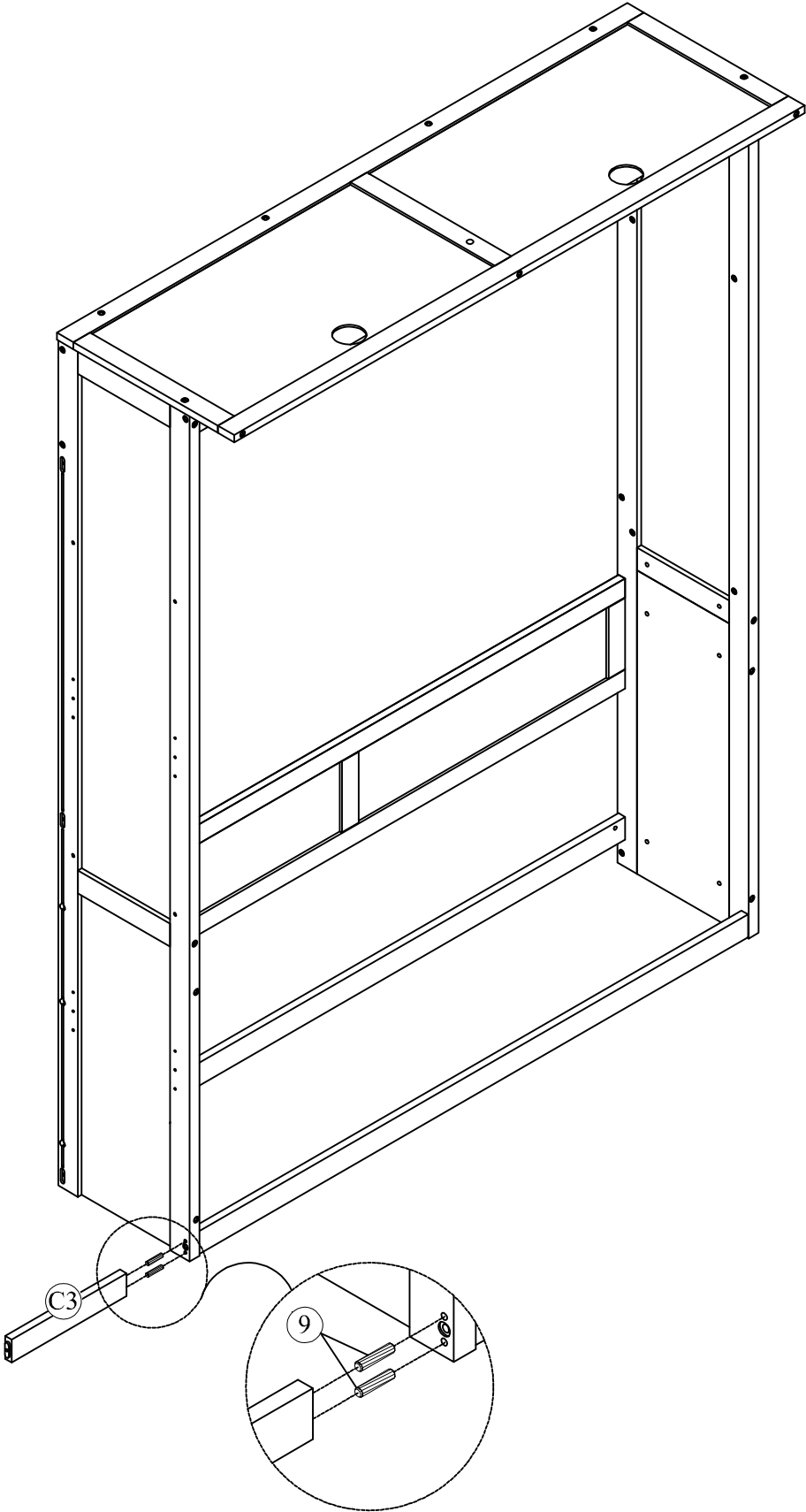


**STEP 10:** Following below illustration.

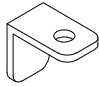
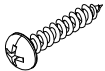
9

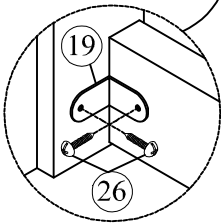
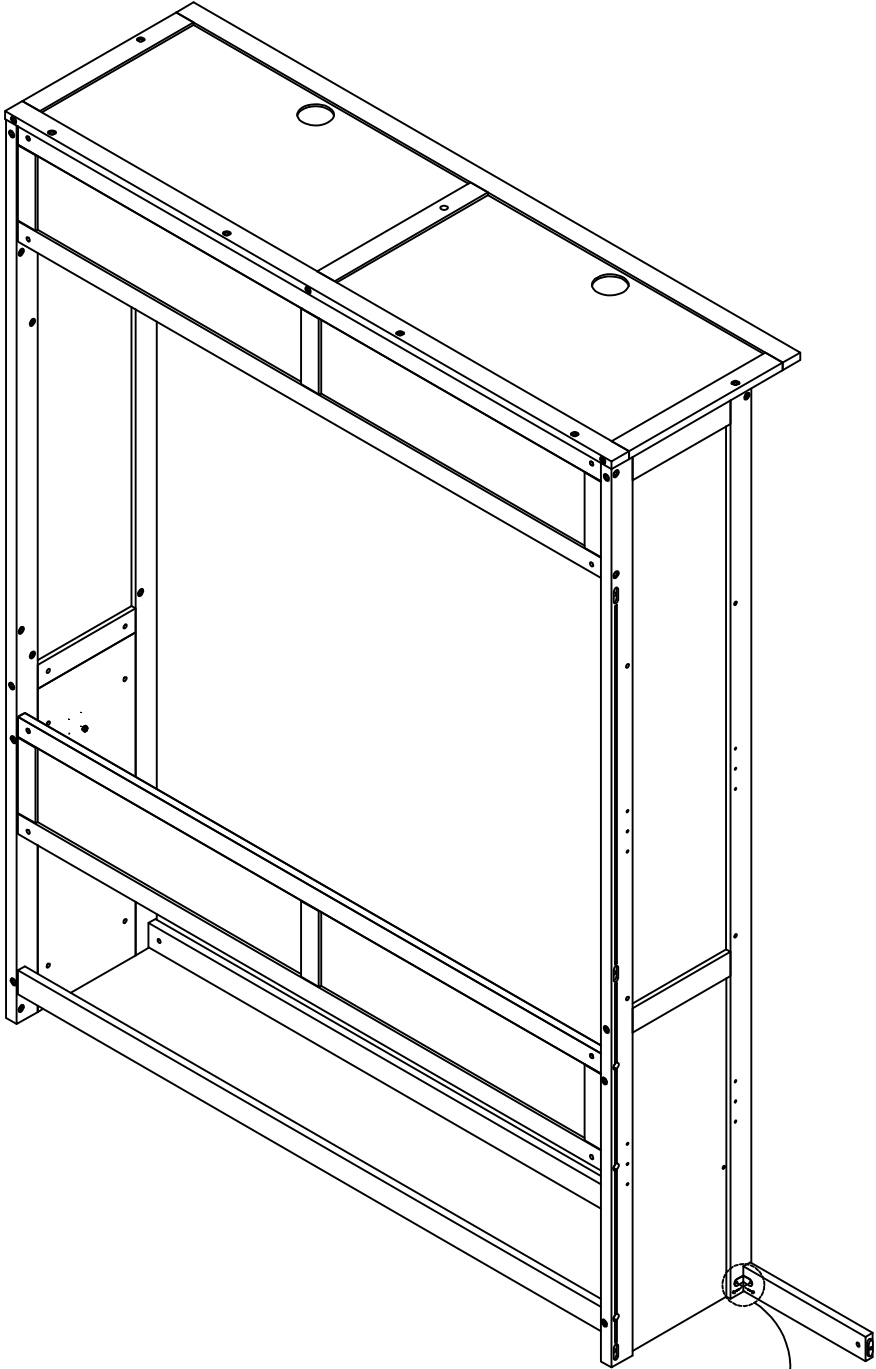


2(pcs)





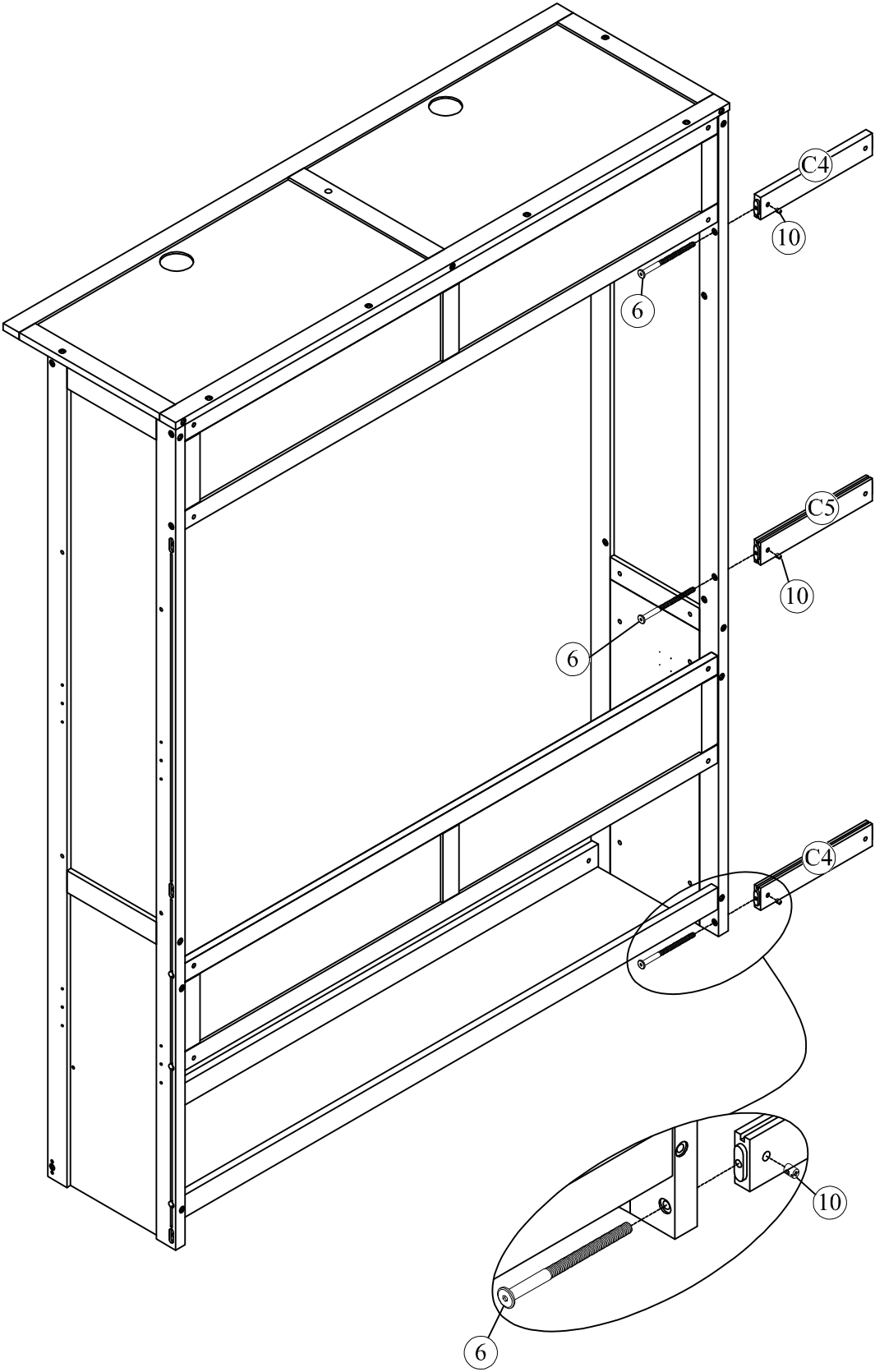
**STEP 11:** Following below illustration.

26 	19 
1(pc)	2(pcs)





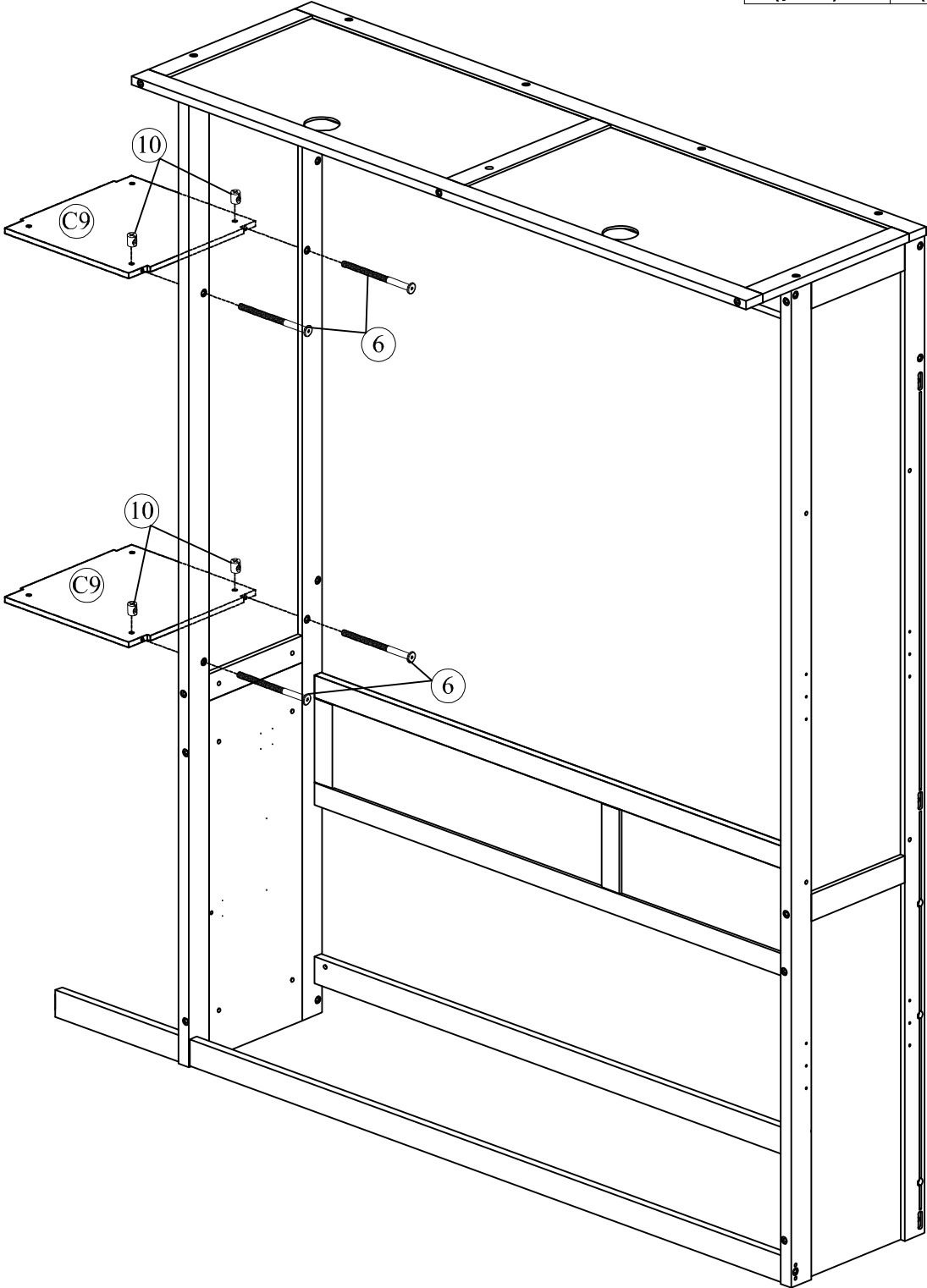
**STEP 12:** Following below illustration.

10	6
	
3(pcs)	3(pcs)

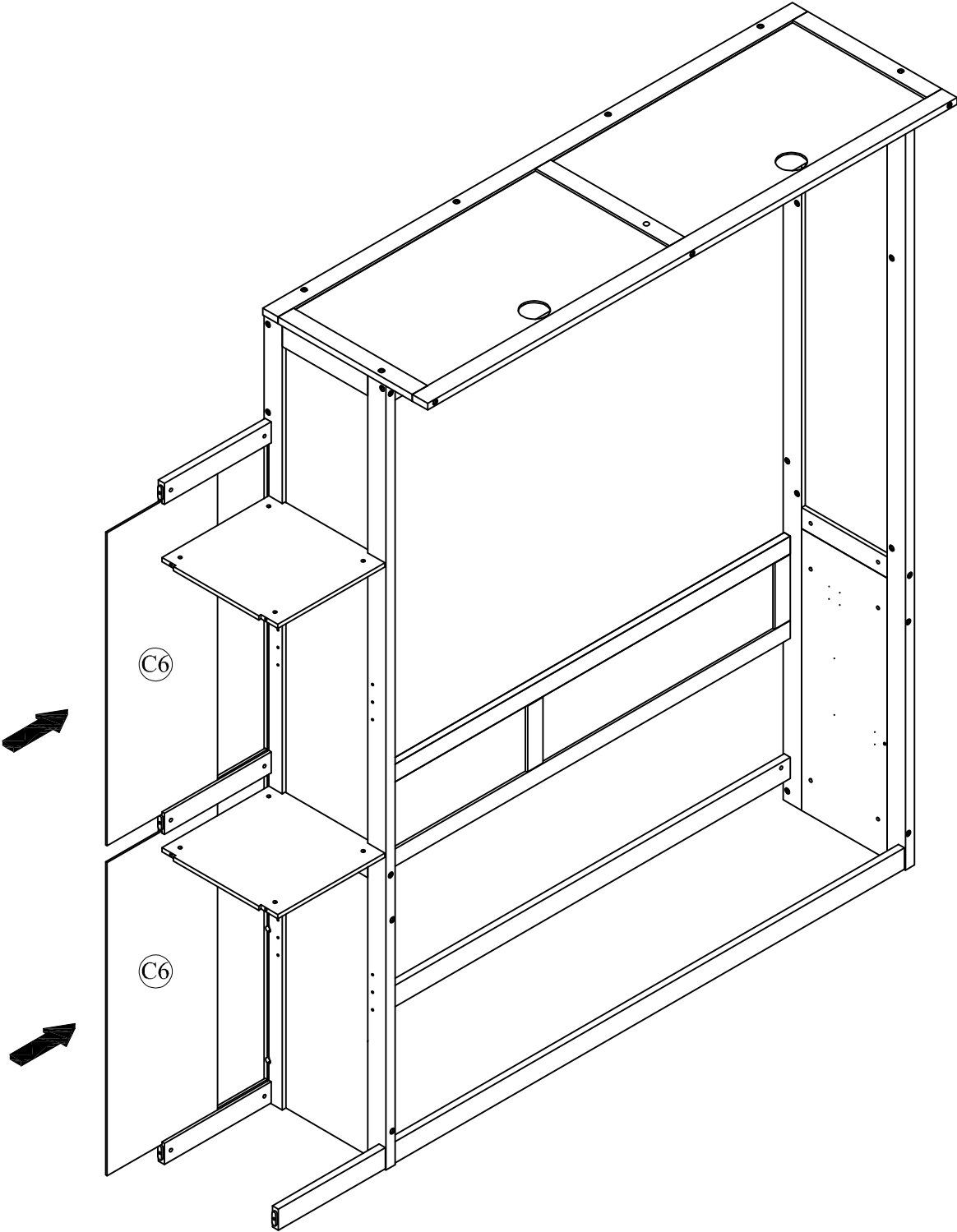


**STEP 13:** Following below illustration.



10	6
	
4(pcs)	4(pcs)

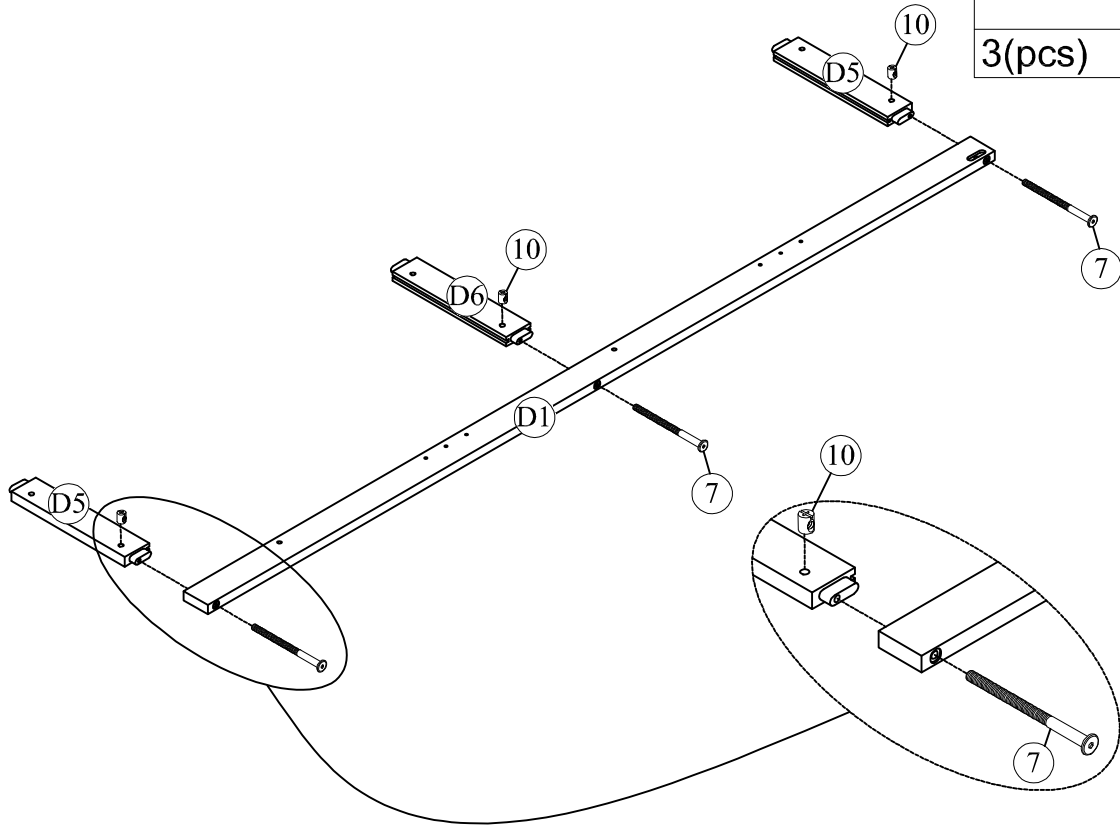


**STEP 14:** Following below illustration.





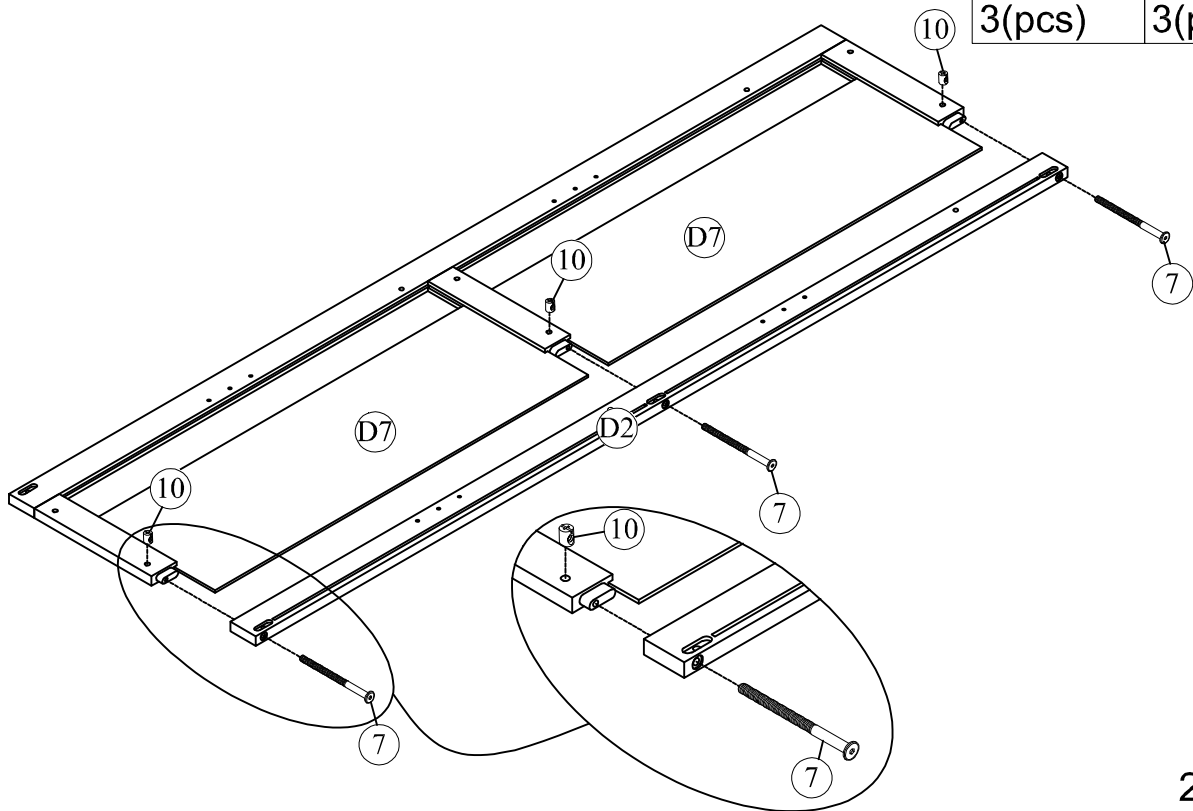
**STEP 15:** Following below illustration.

10	7
	
3(pcs)	3(pcs)





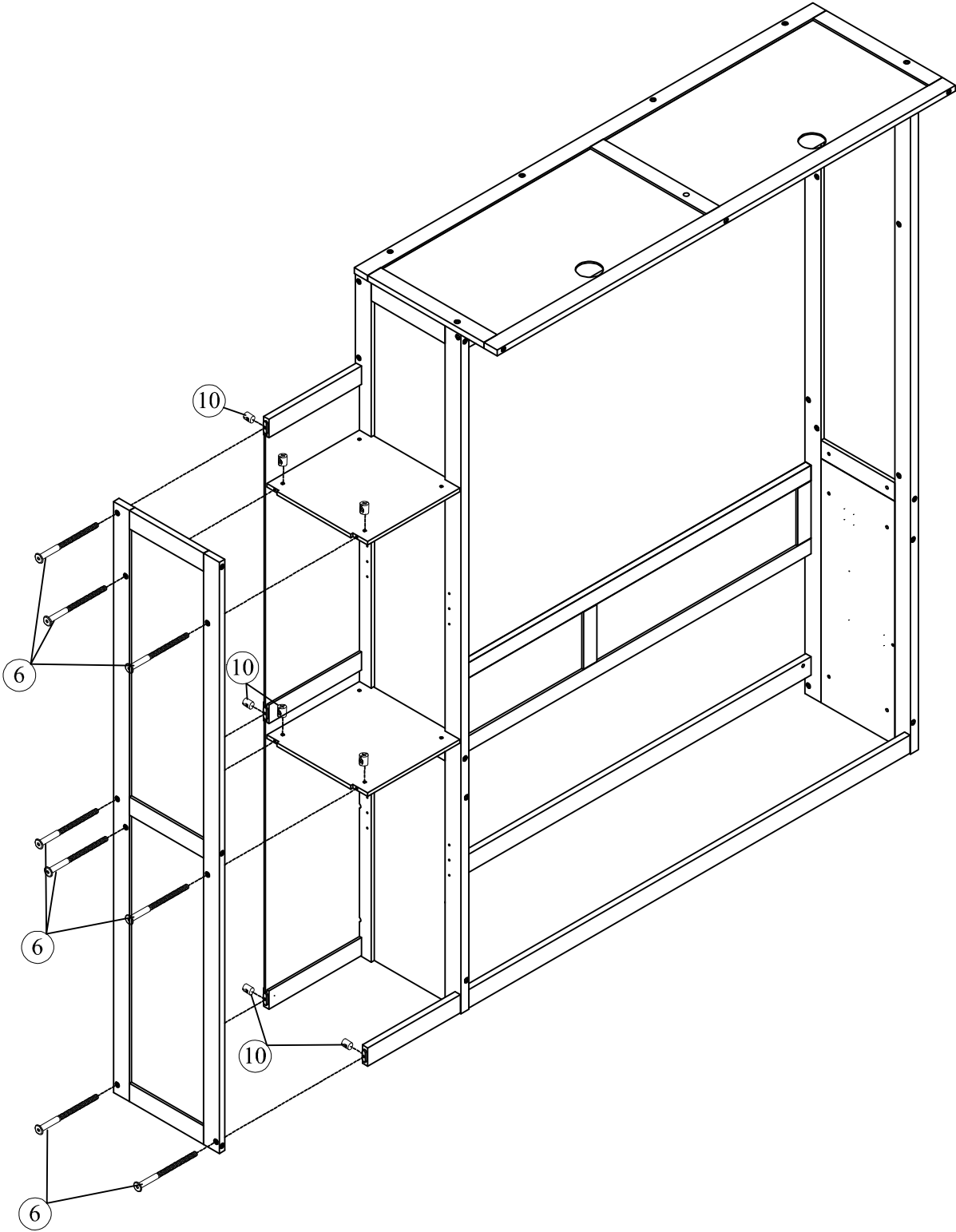
**STEP 16:** Following below illustration.

10	7
	
3(pcs)	3(pcs)



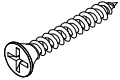
**STEP 17:** Following below illustration.

10	6
	
8(pcs)	8(pcs)

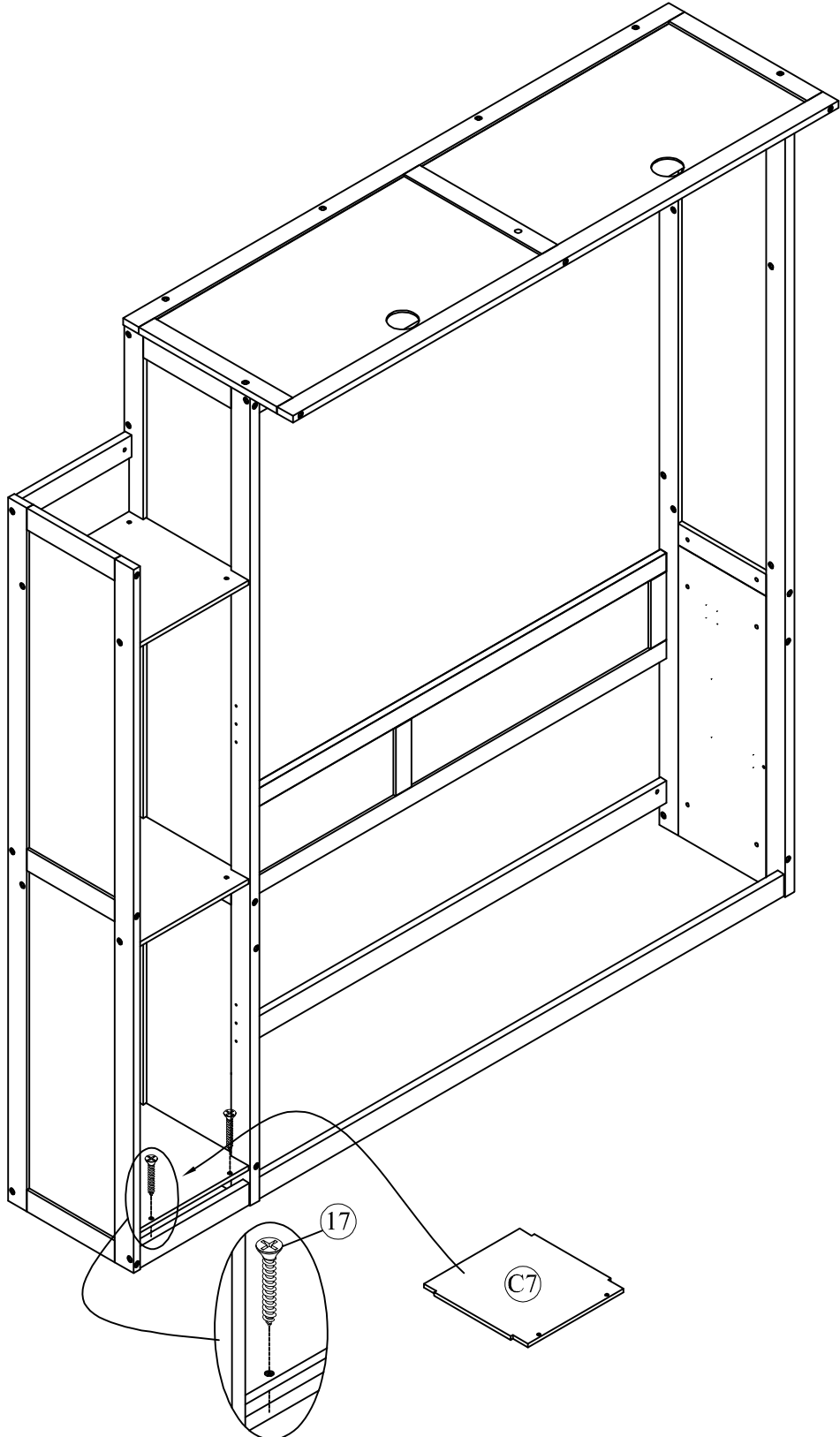


**STEP 18:** Following below illustration.

17



2(pcs)

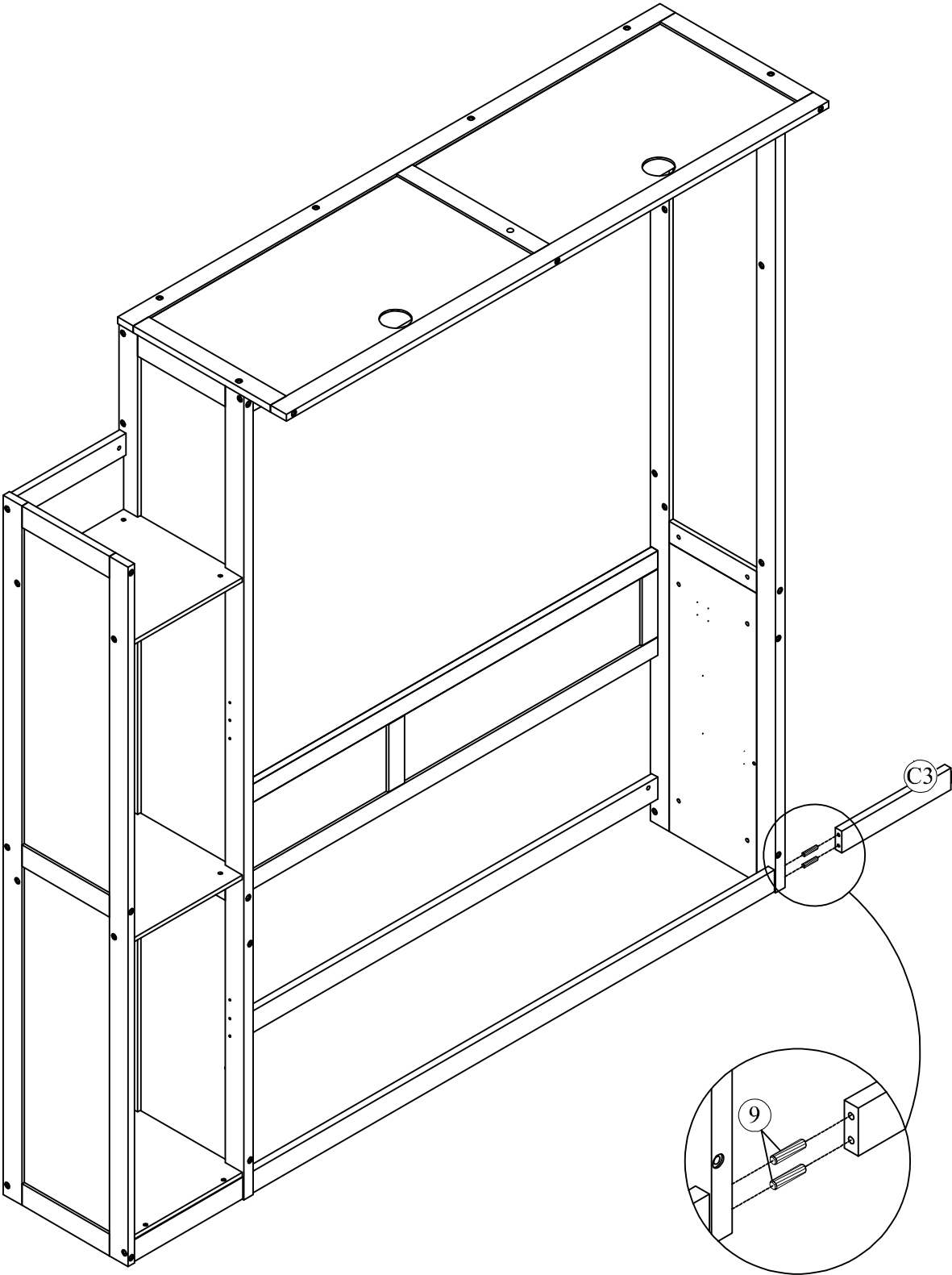


**STEP 19:** Following below illustration.

9



2(pcs)



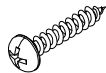
**STEP20:** Following below illustration.

26

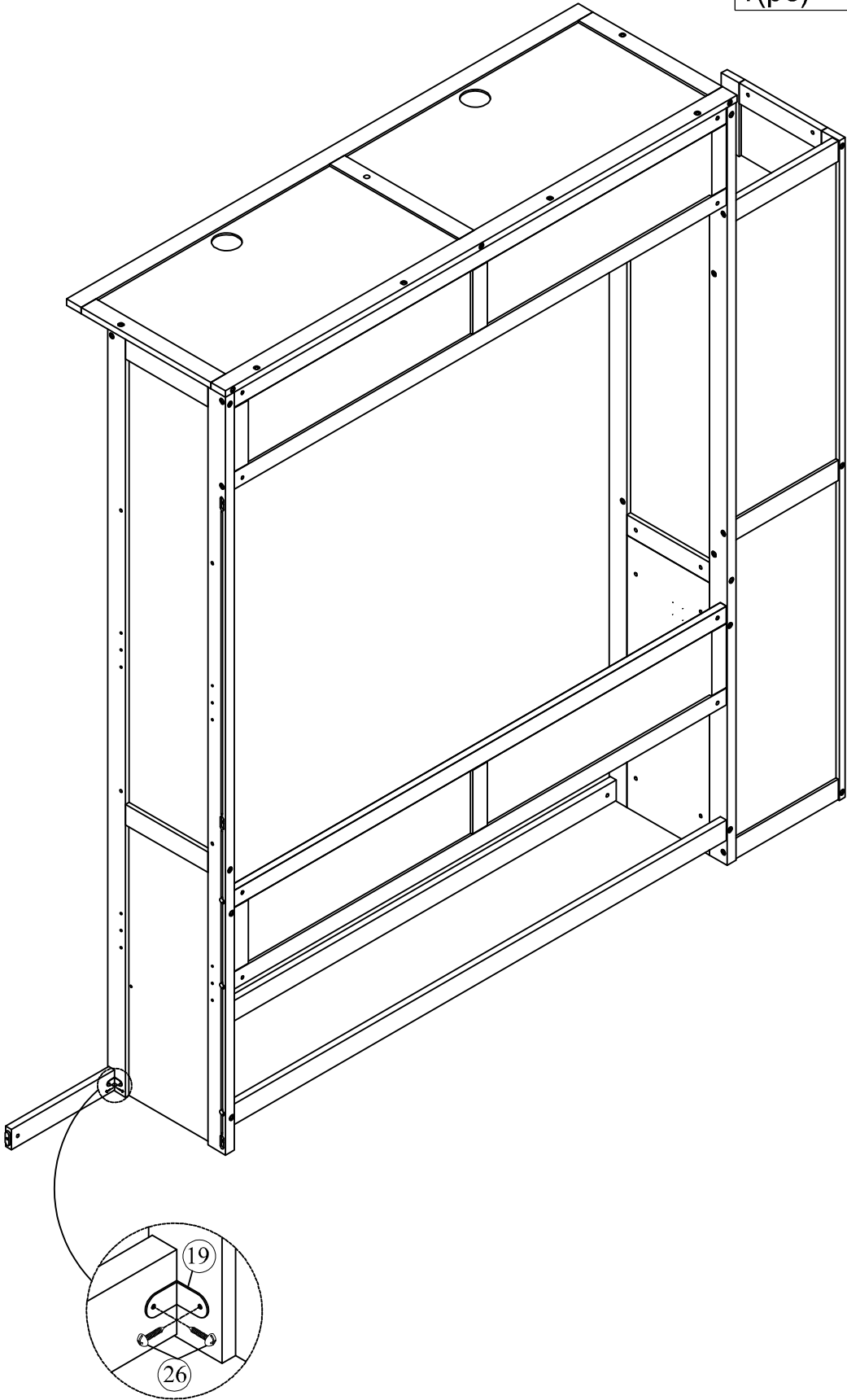


1(pc)



19

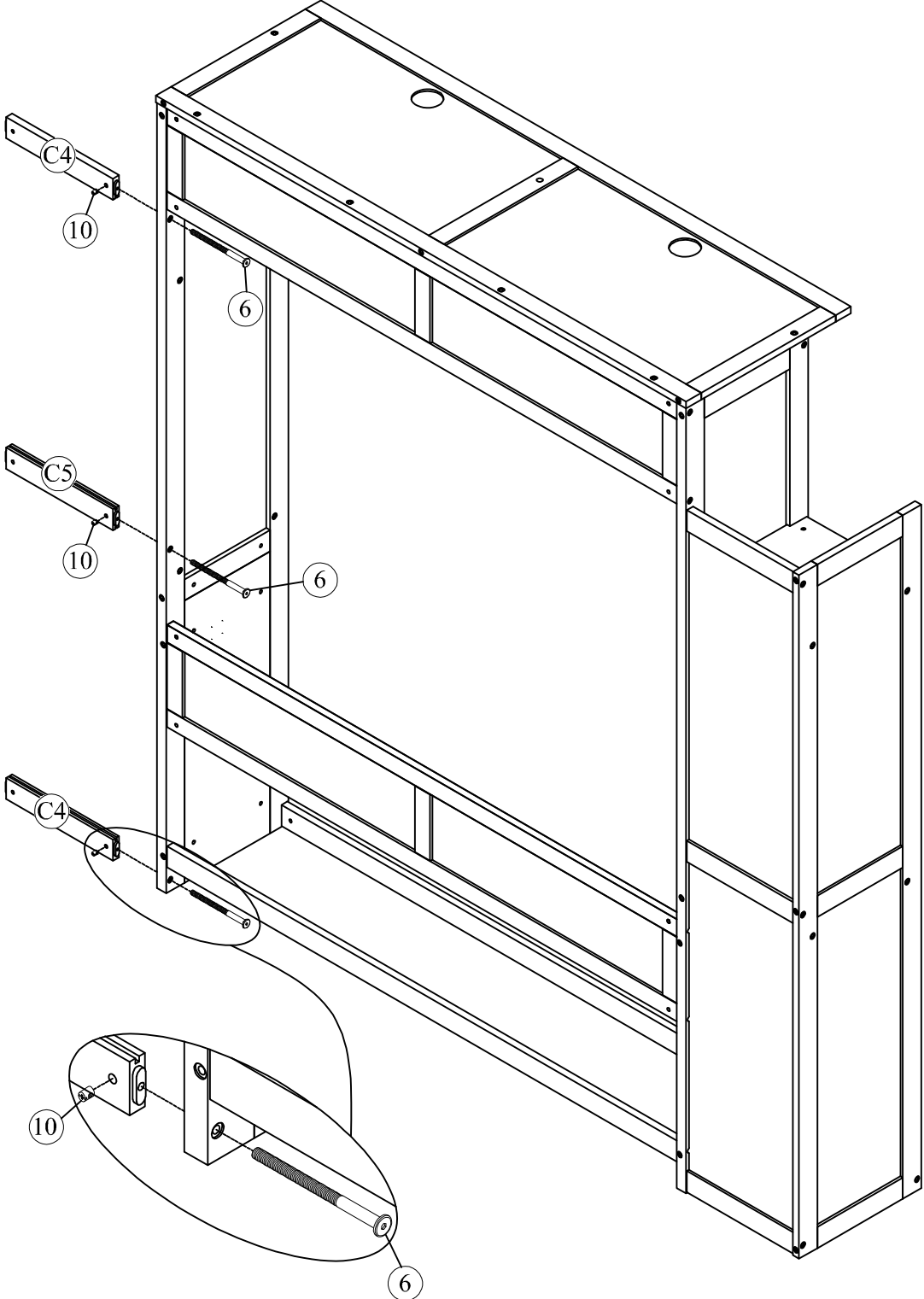


2(pcs)





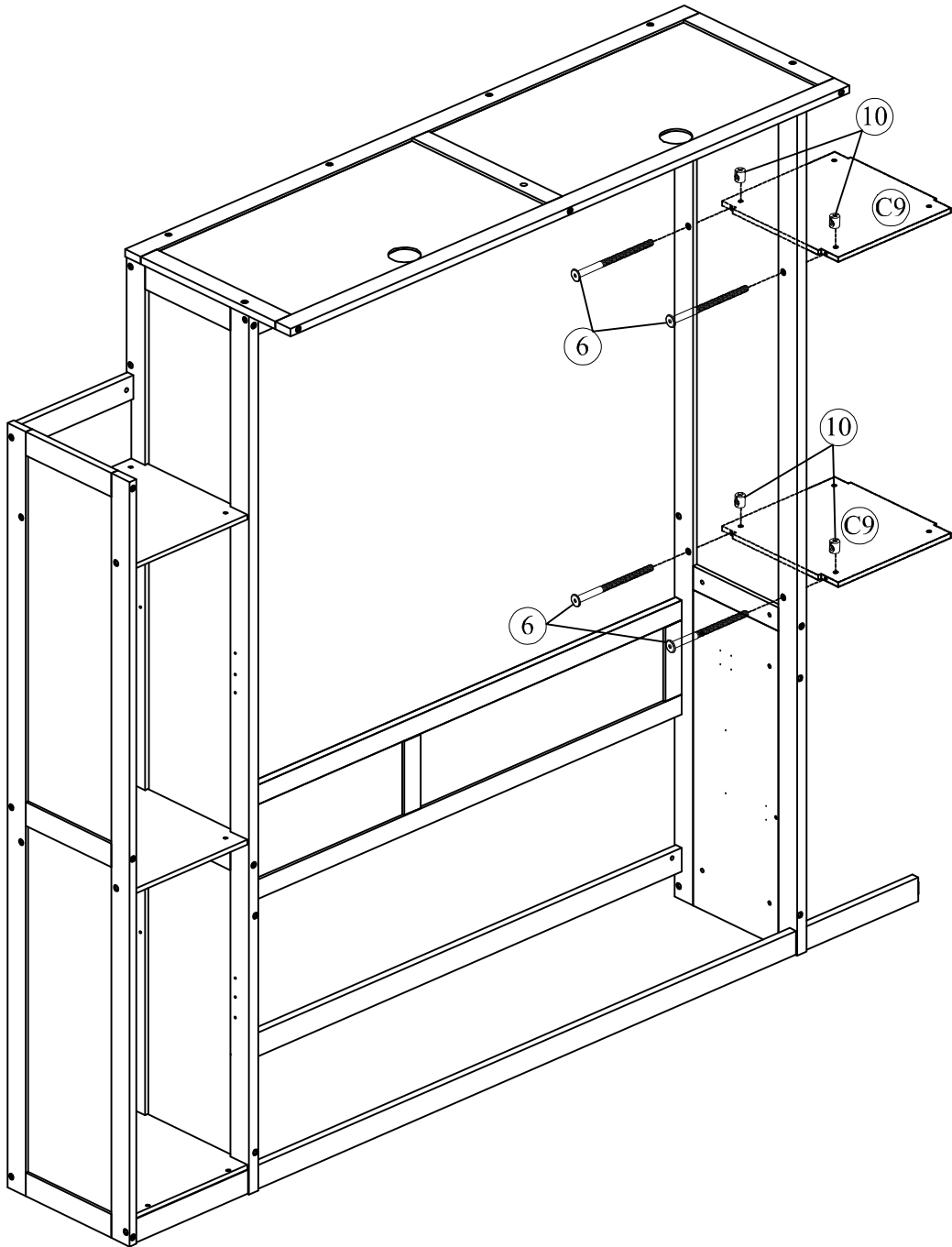
**STEP21:** Following below illustration.

10	6
	
3(pcs)	3(pcs)

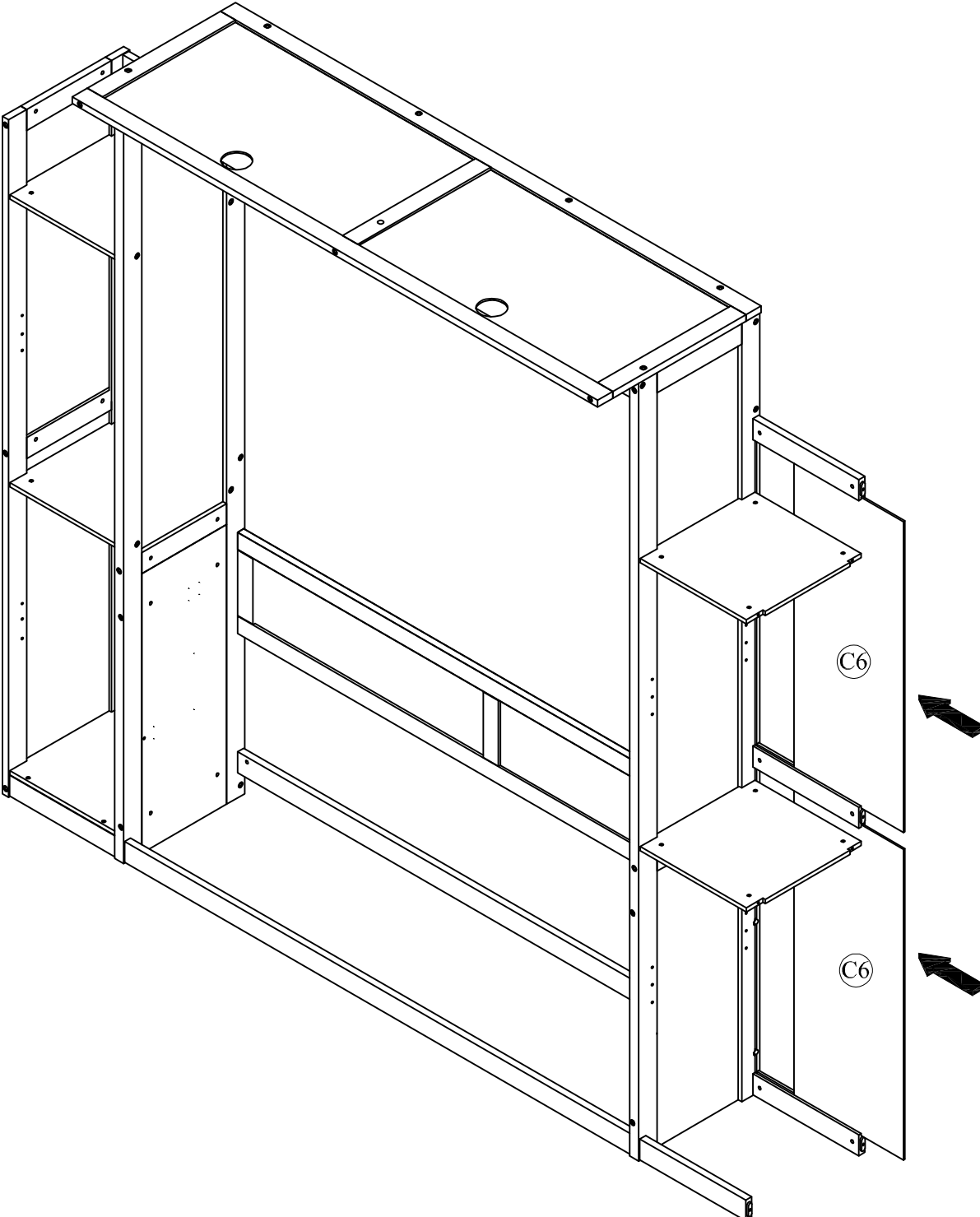


**STEP22:** Following below illustration.



10	6
	
4(pcs)	4(pcs)

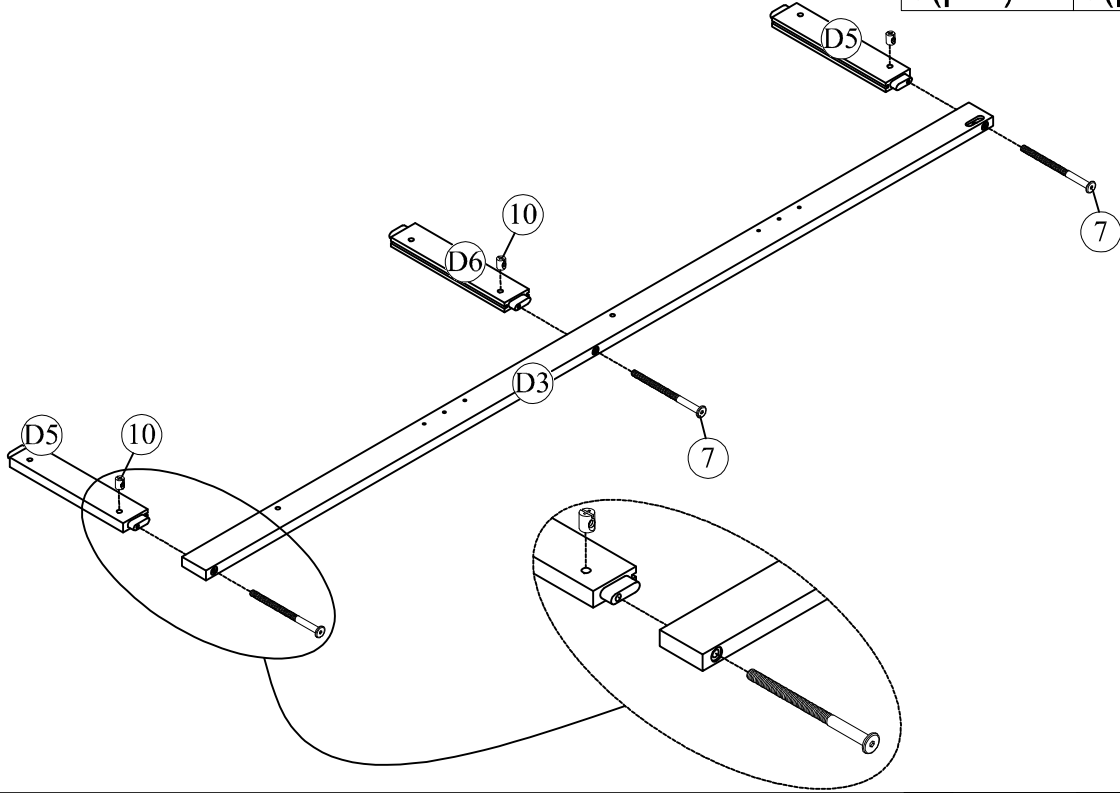


**STEP23:** Following below illustration.





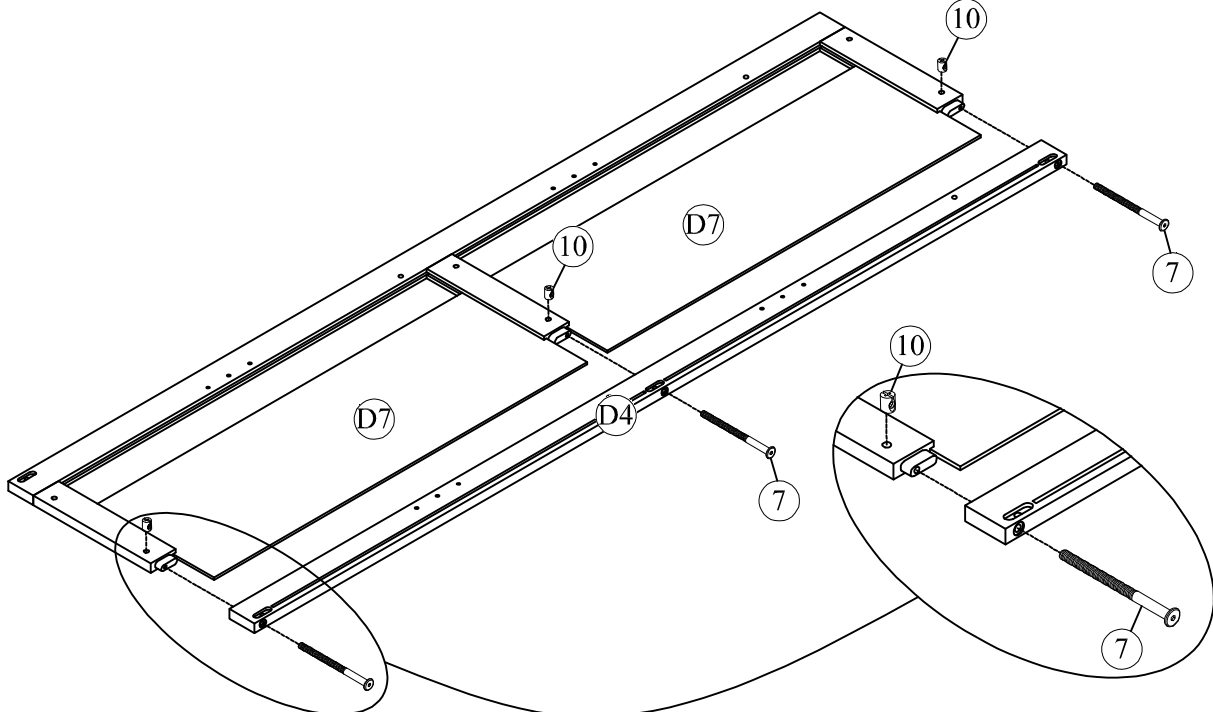
**STEP24:** Following below illustration.

10	7
	
3(pcs)	3(pcs)





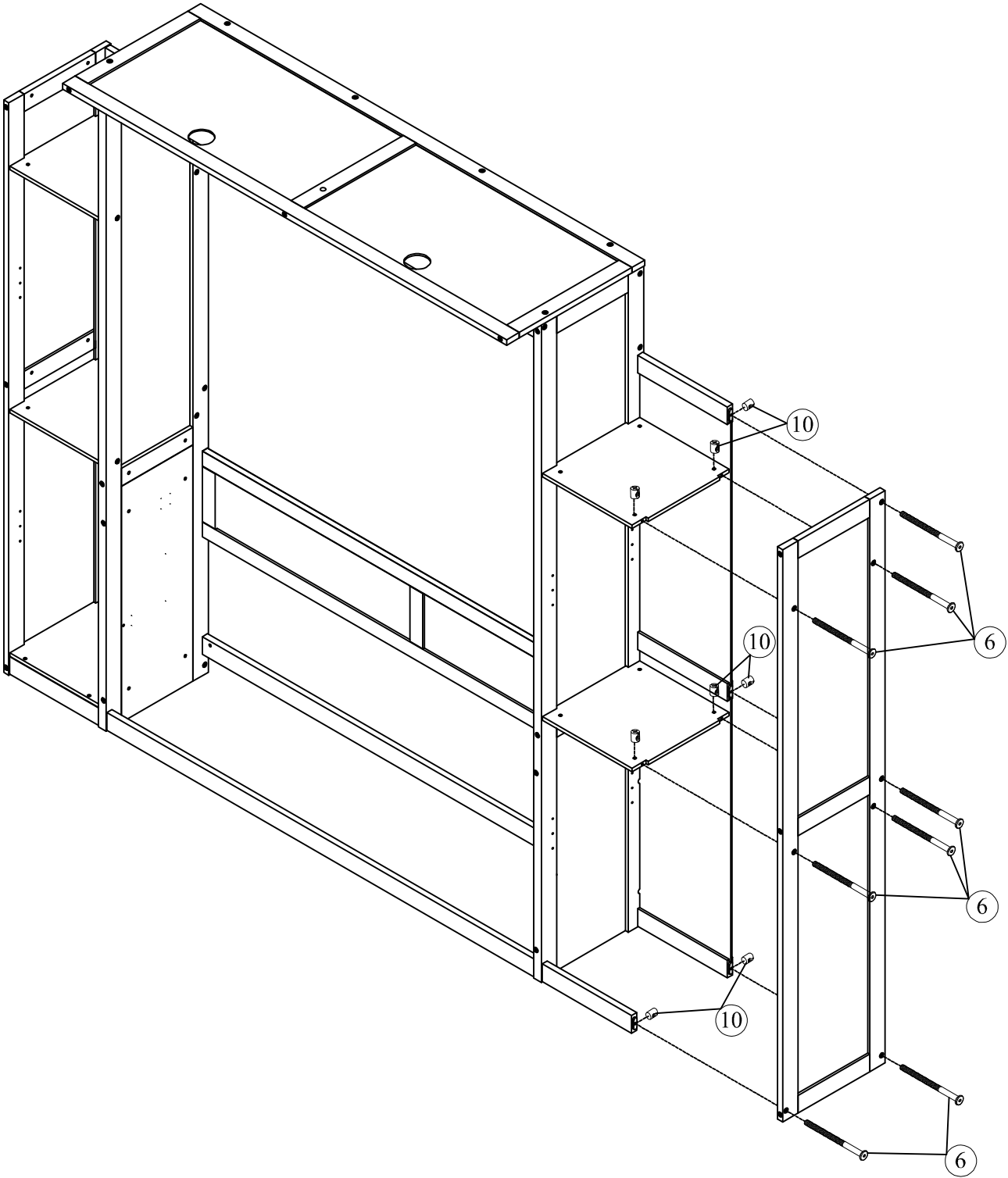
**STEP25:** Following below illustration.

10	7
	
3(pcs)	3(pcs)



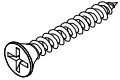
**STEP26:** Following below illustration.

10	6
	
8(pcs)	8(pcs)

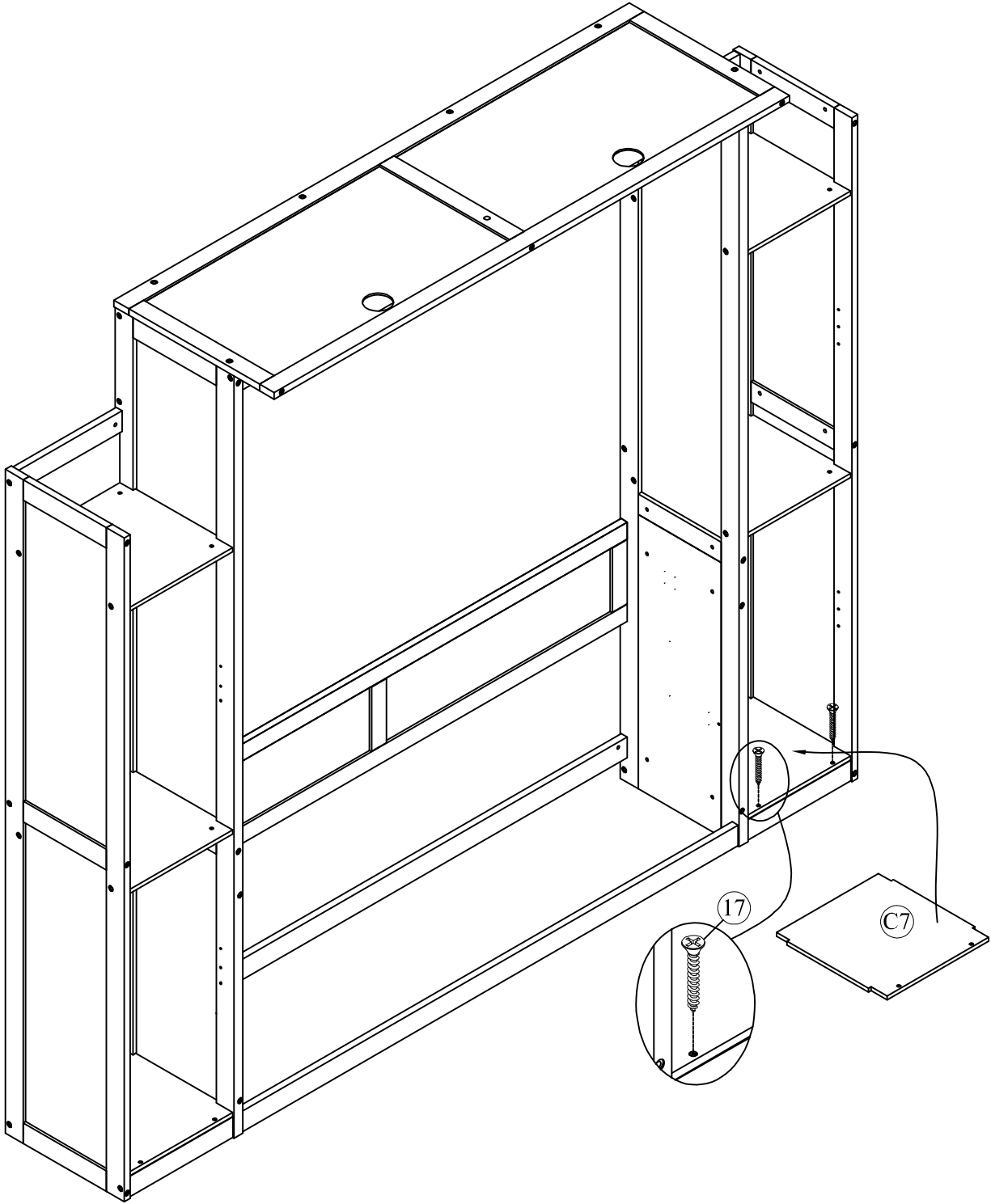


**STEP27:** Following below illustration.

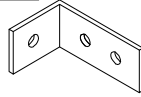
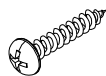
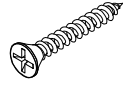
17

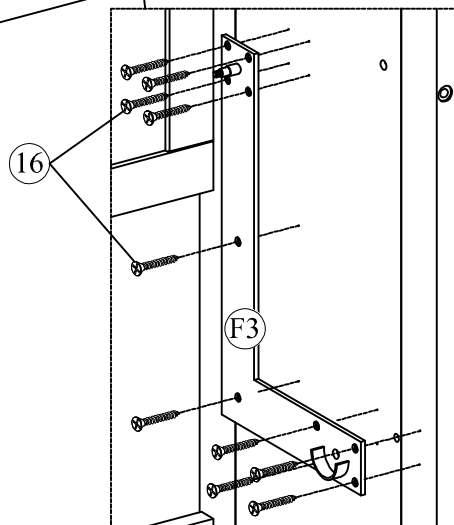
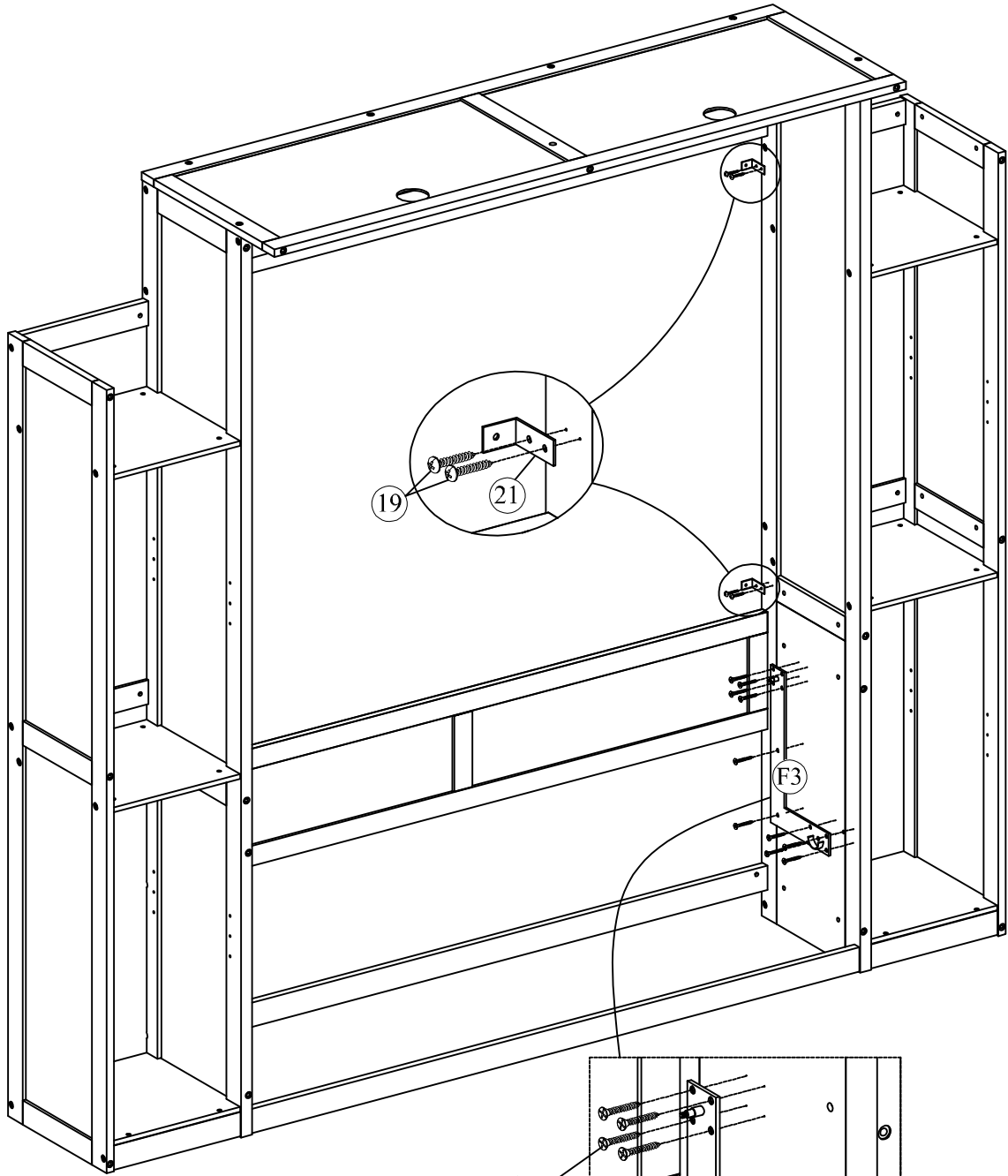


2(pcs)

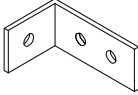
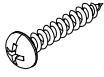
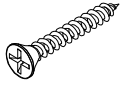


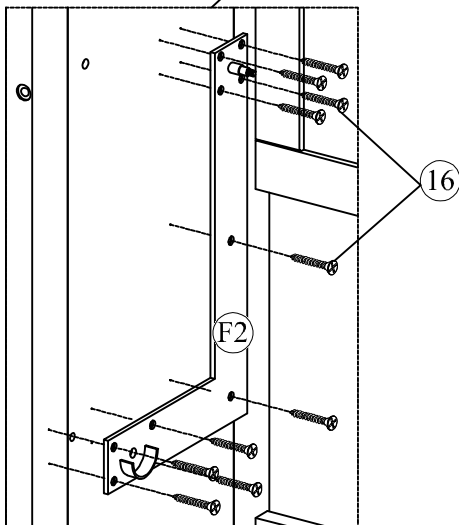
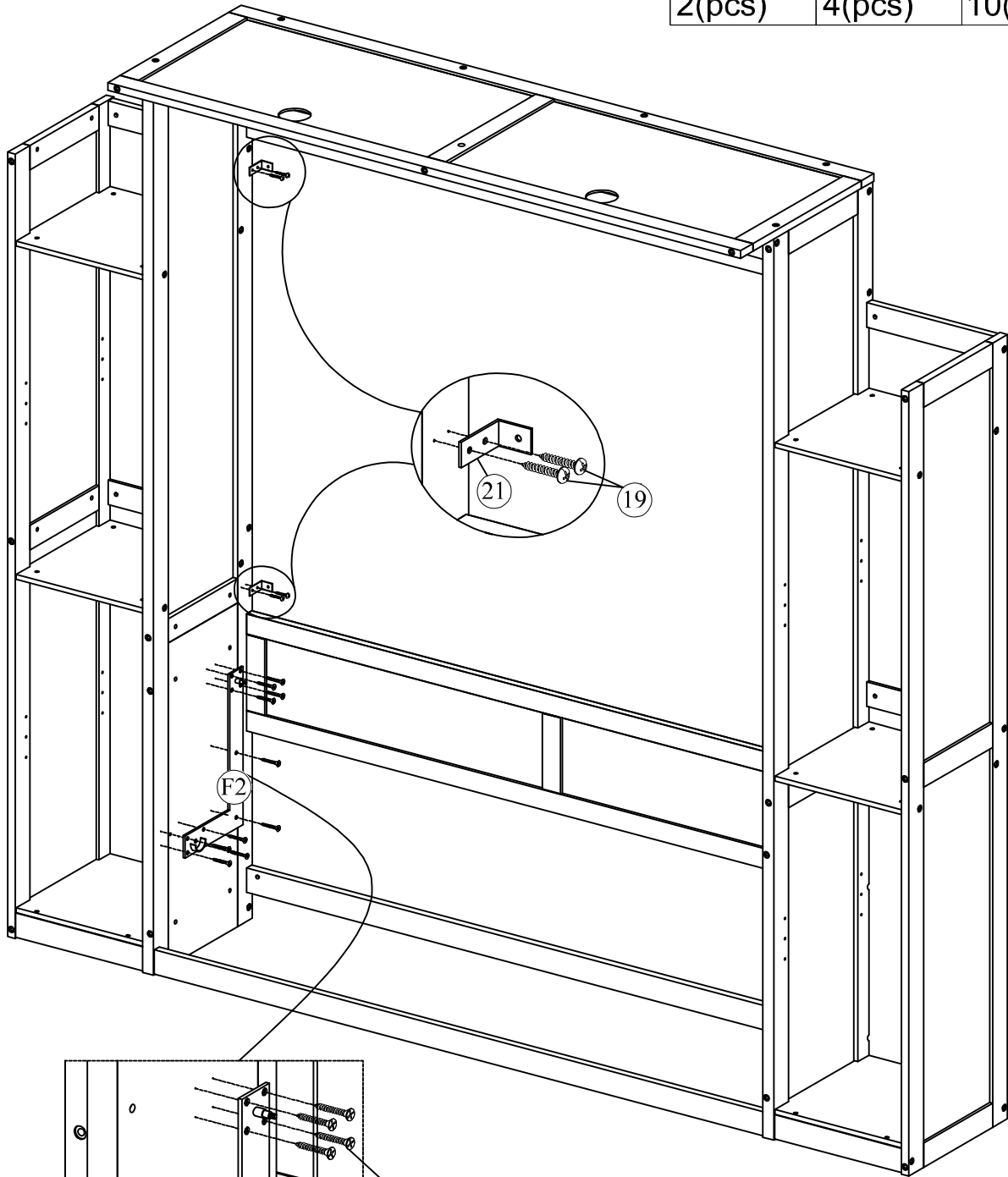
**STEP28:** Following below illustration.

21	19	16
		
2(pcs)	4(pcs)	10(pcs)

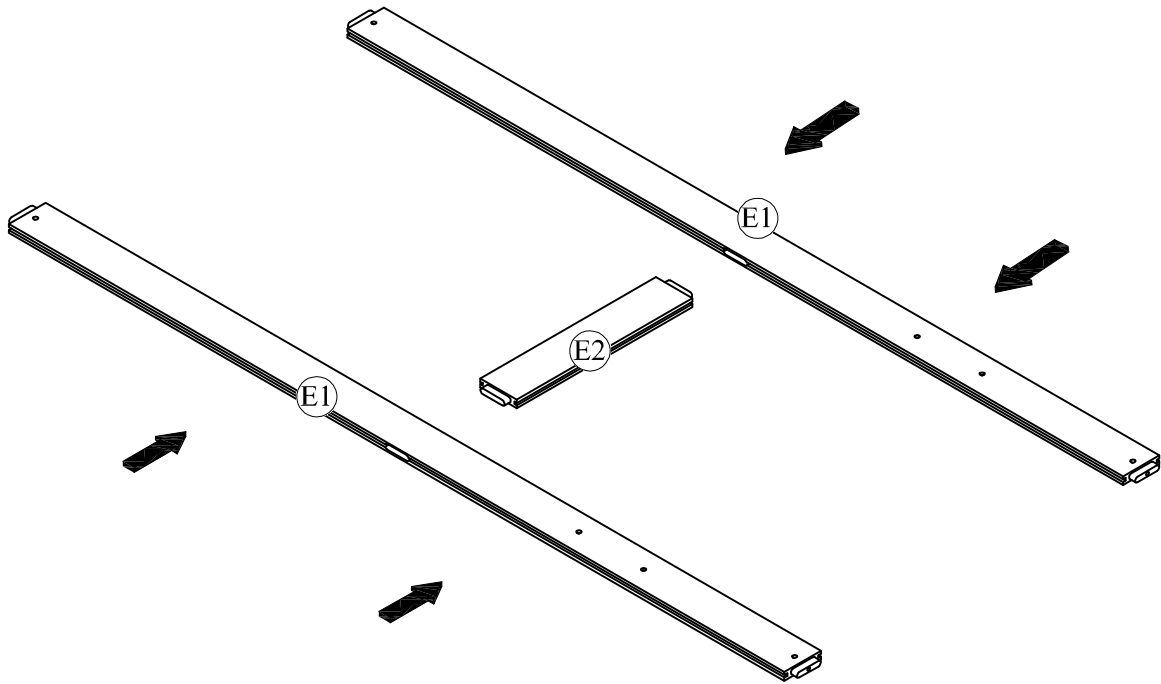


**STEP29:** Following below illustration.

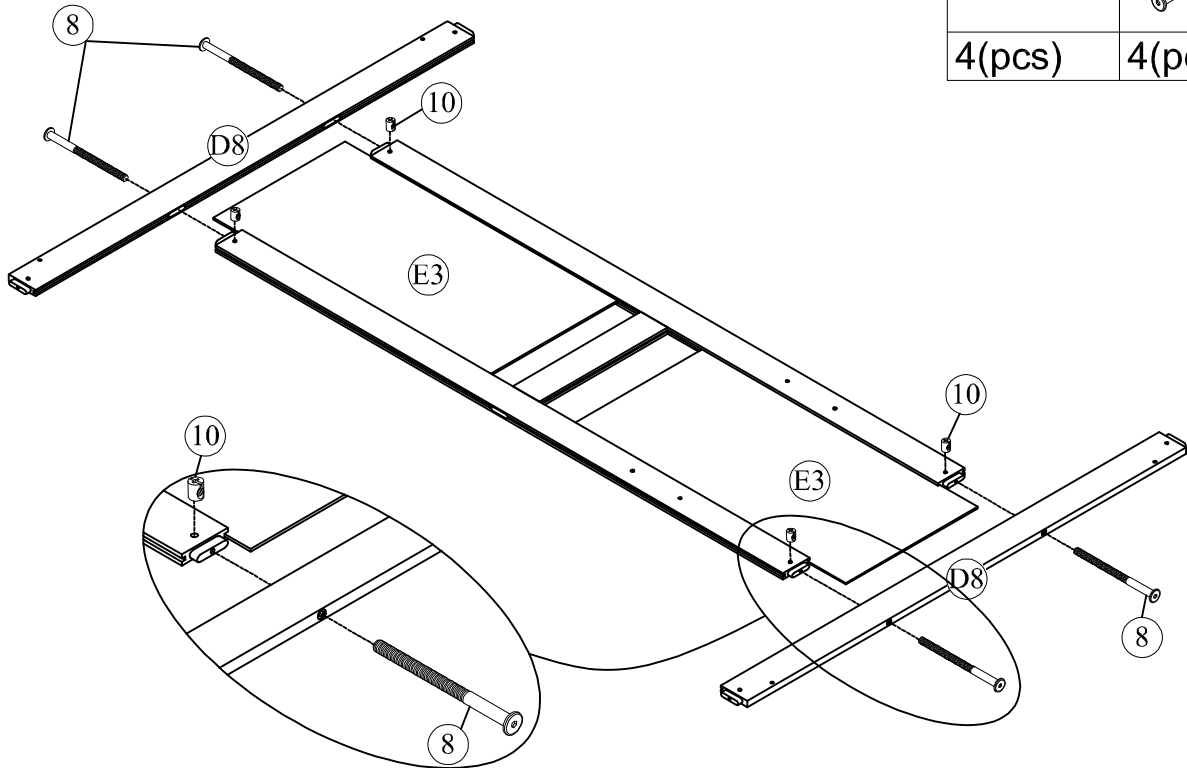
21	19	16
		
2(pcs)	4(pcs)	10(pcs)





**STEP30:** Following below illustration.





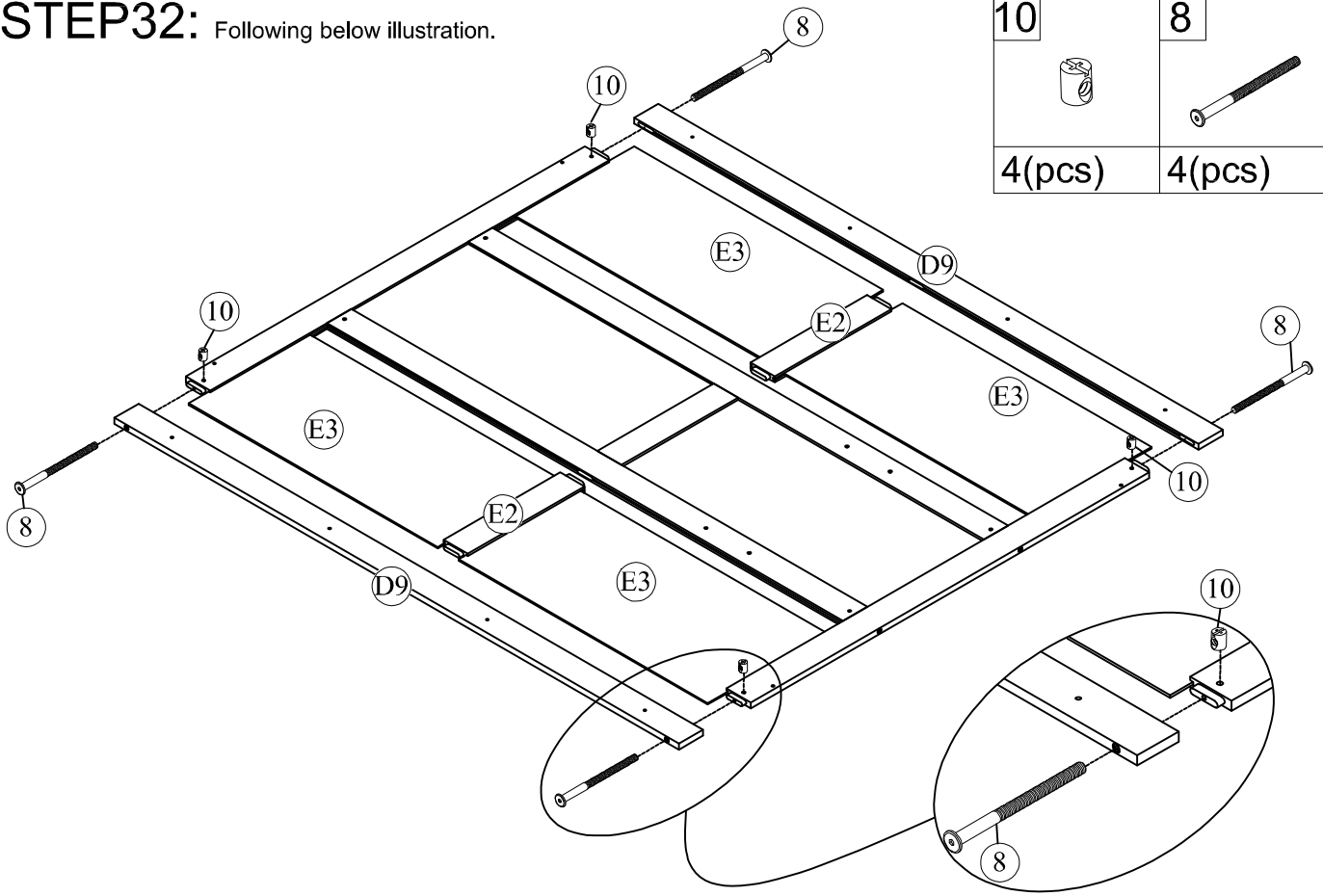
**STEP31:** Following below illustration.




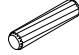

10	8
	
4(pcs)	4(pcs)

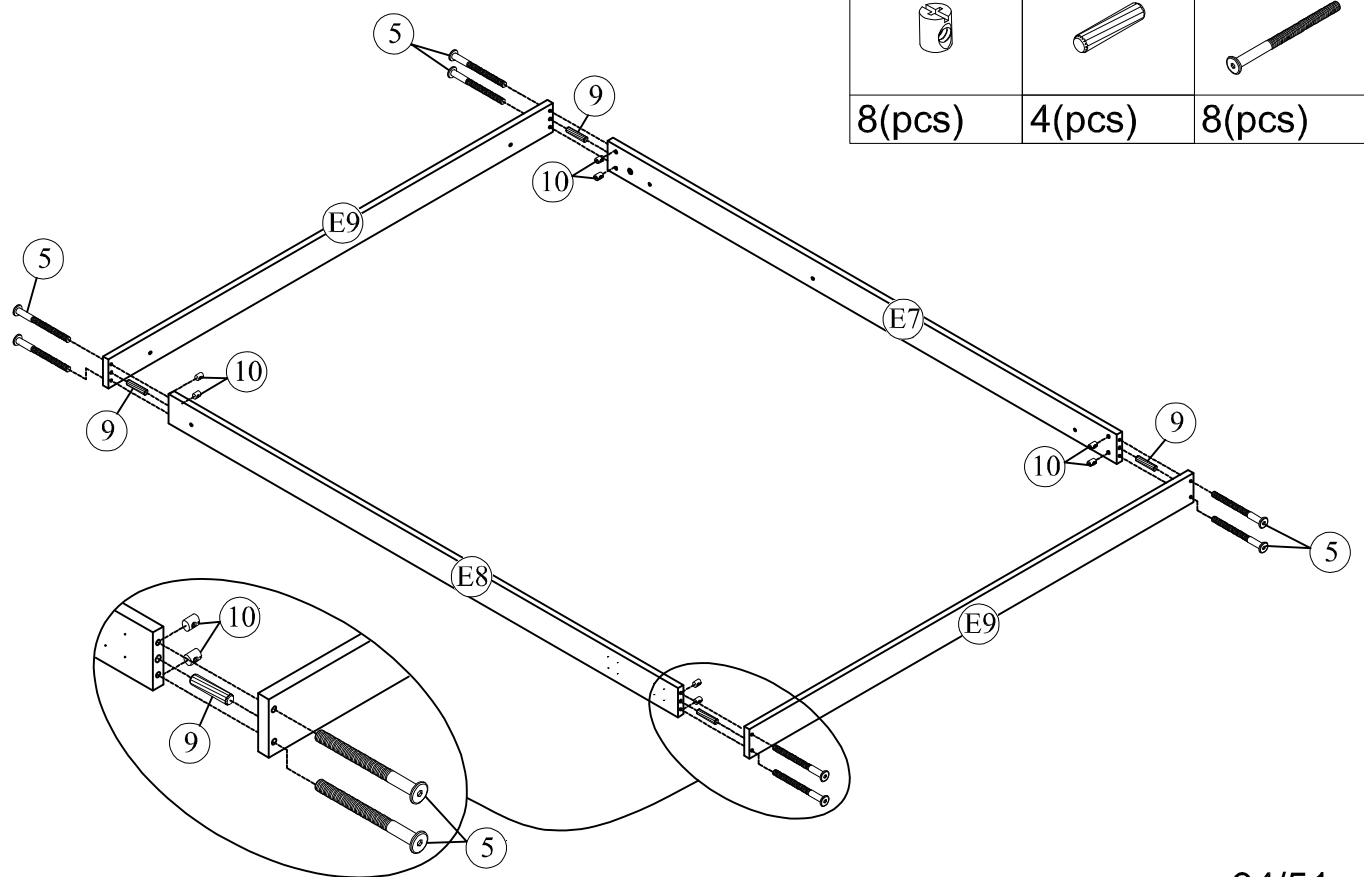
**STEP32:** Following below illustration.

10	8
	
4(pcs)	4(pcs)

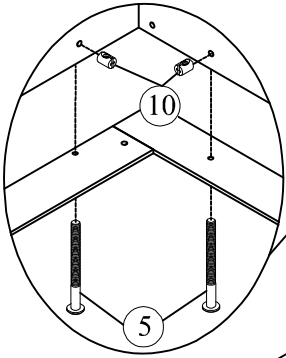


**STEP33:** Following below illustration.

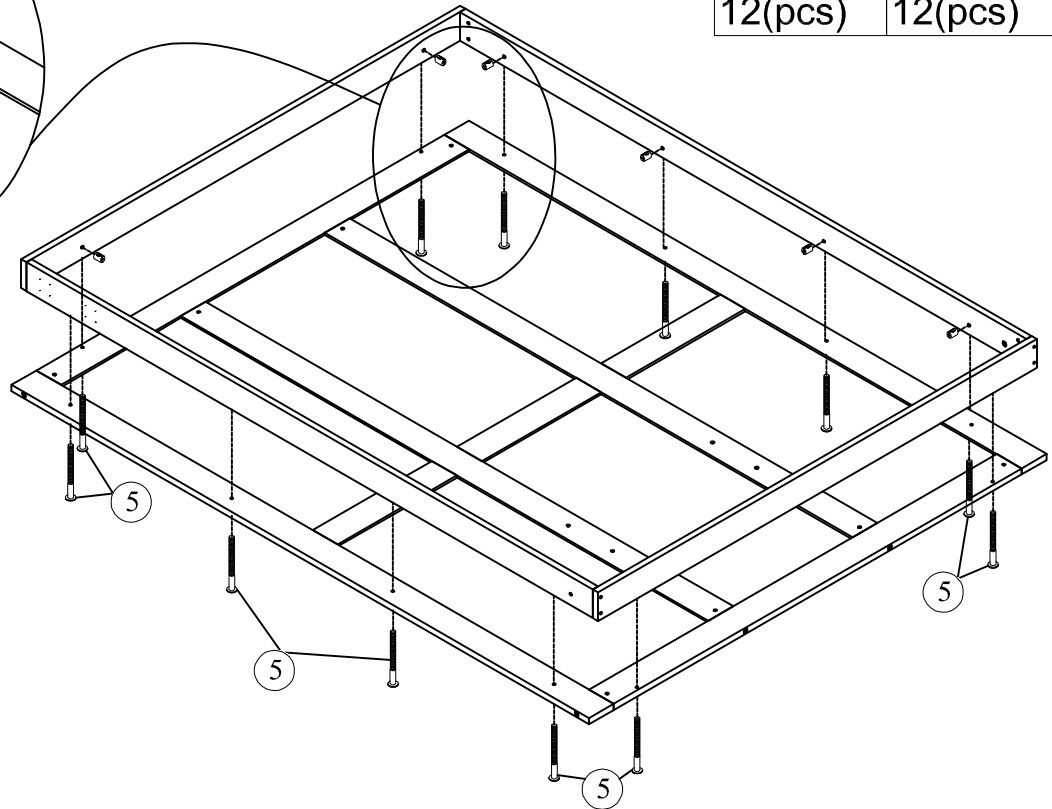
10	9	5
		
8(pcs)	4(pcs)	8(pcs)



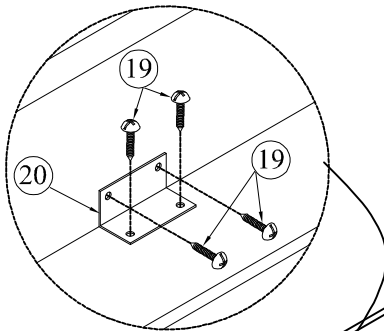
**STEP34:** Following below illustration.



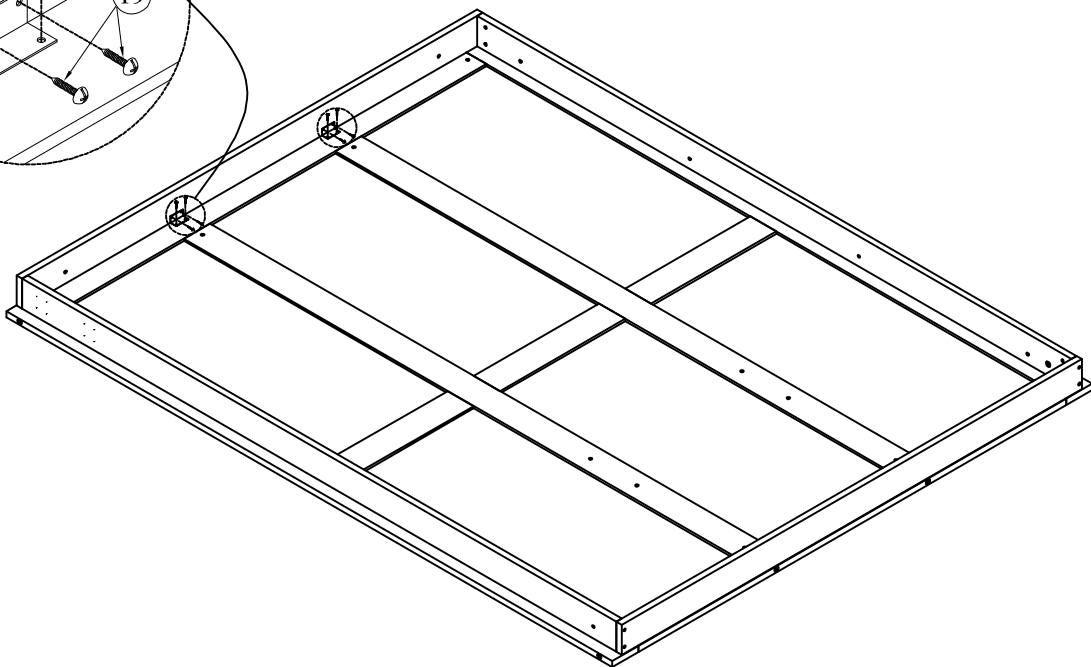
10	5
12(pcs)	12(pcs)



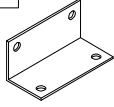
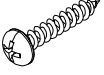
**STEP35:** Following below illustration.

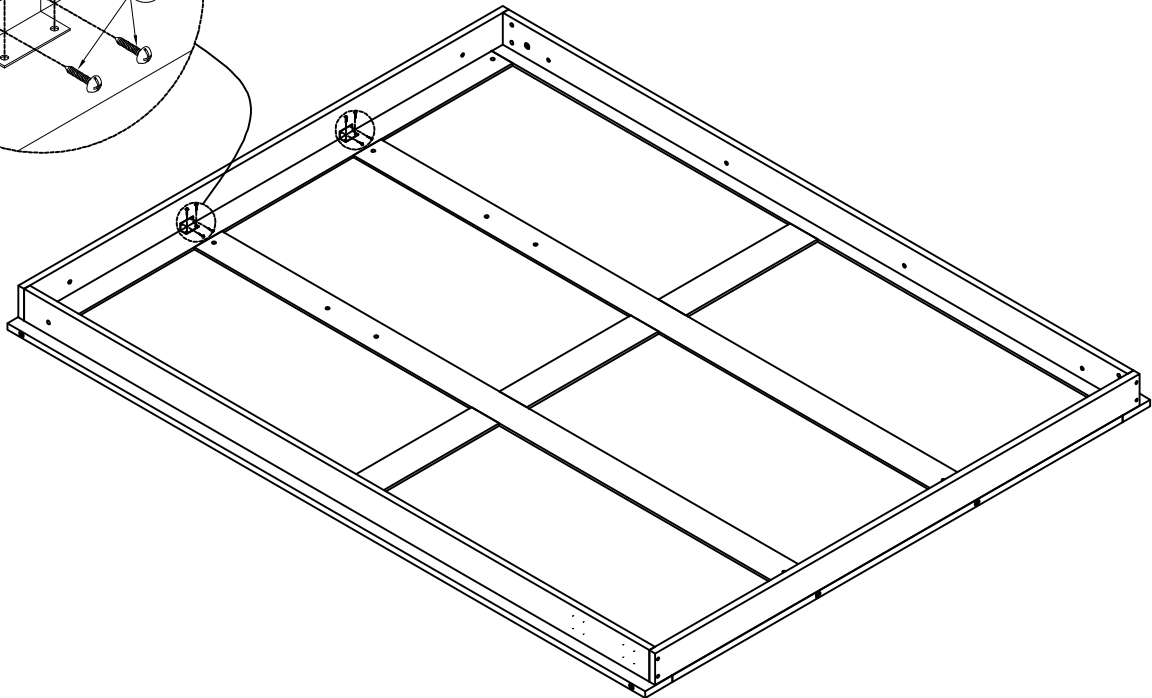
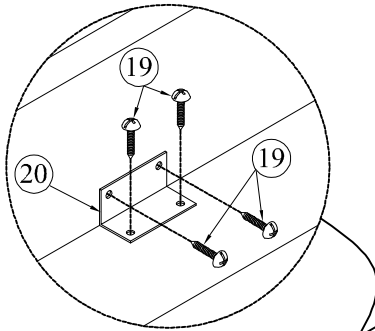


20	19
2(pcs)	8(pcs)

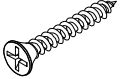


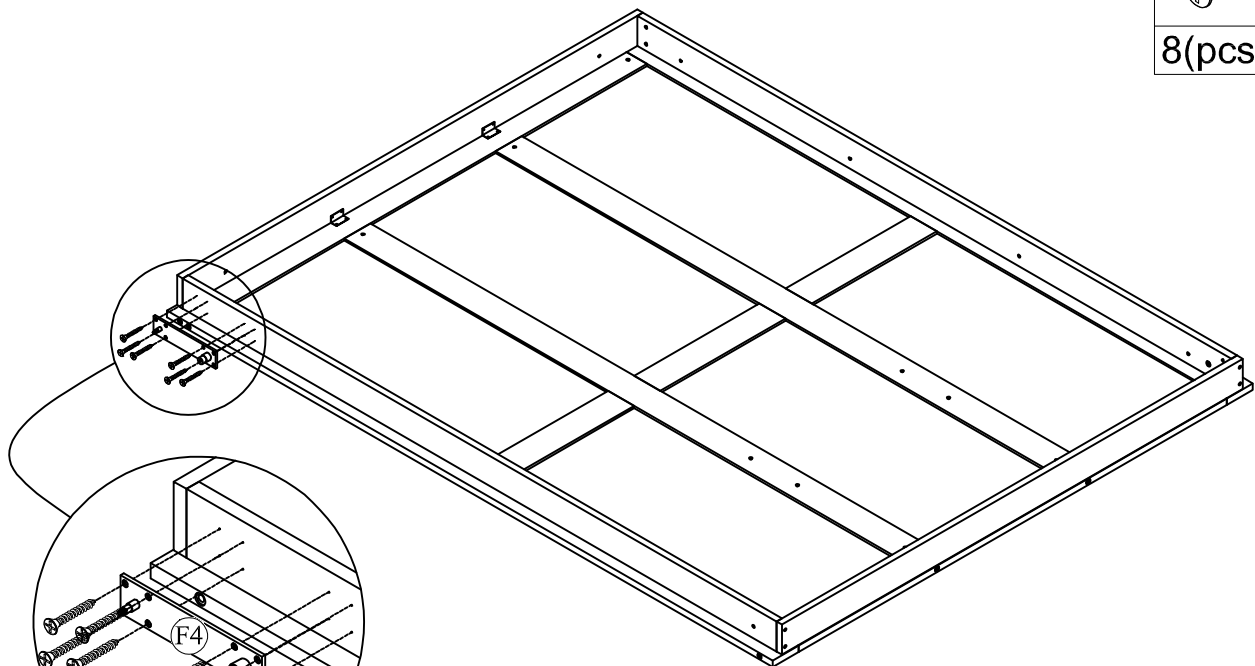
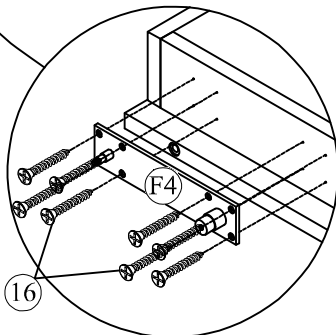
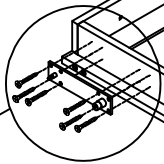
**STEP36:** Following below illustration.

20	19
	
2(pcs)	8(pcs)



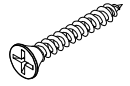
**STEP37:** Following below illustration.

16

8(pcs)

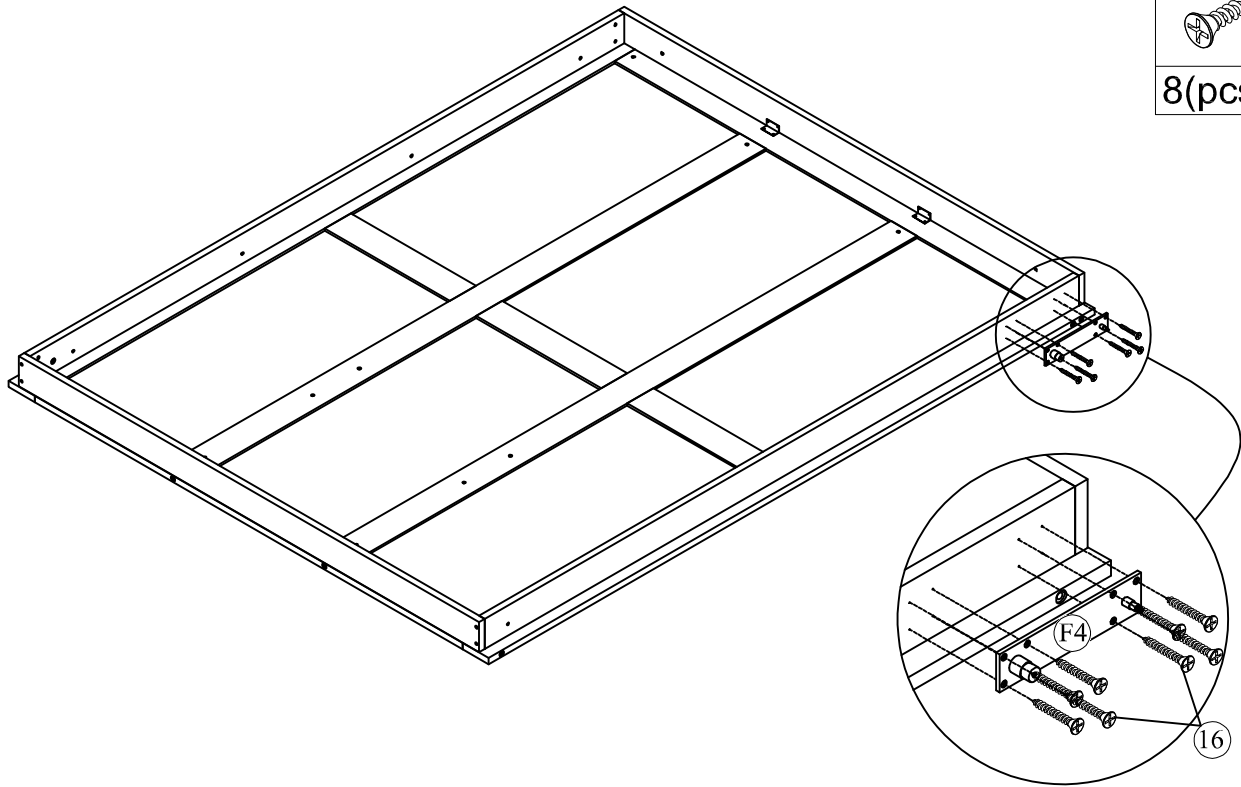


**STEP38:** Following below illustration.

16



8(pcs)



**STEP39:** Following below illustration.

15

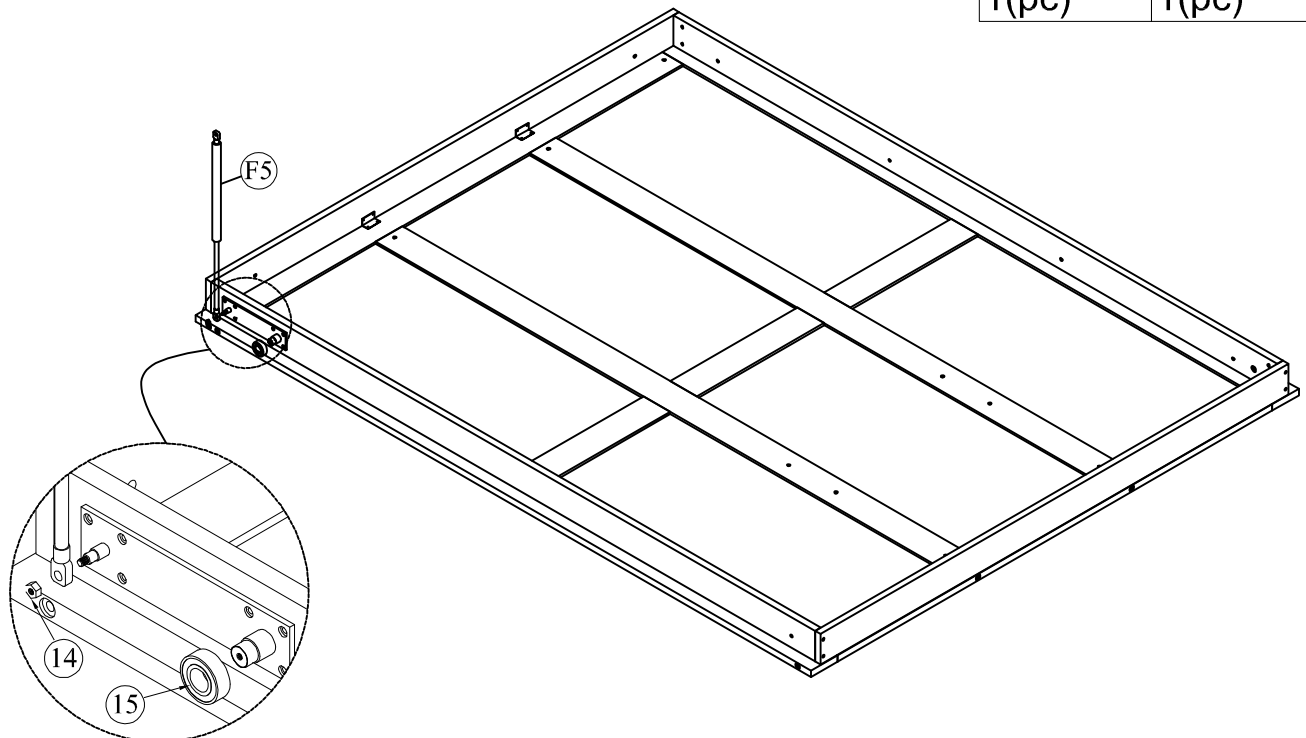


1(pc)



14

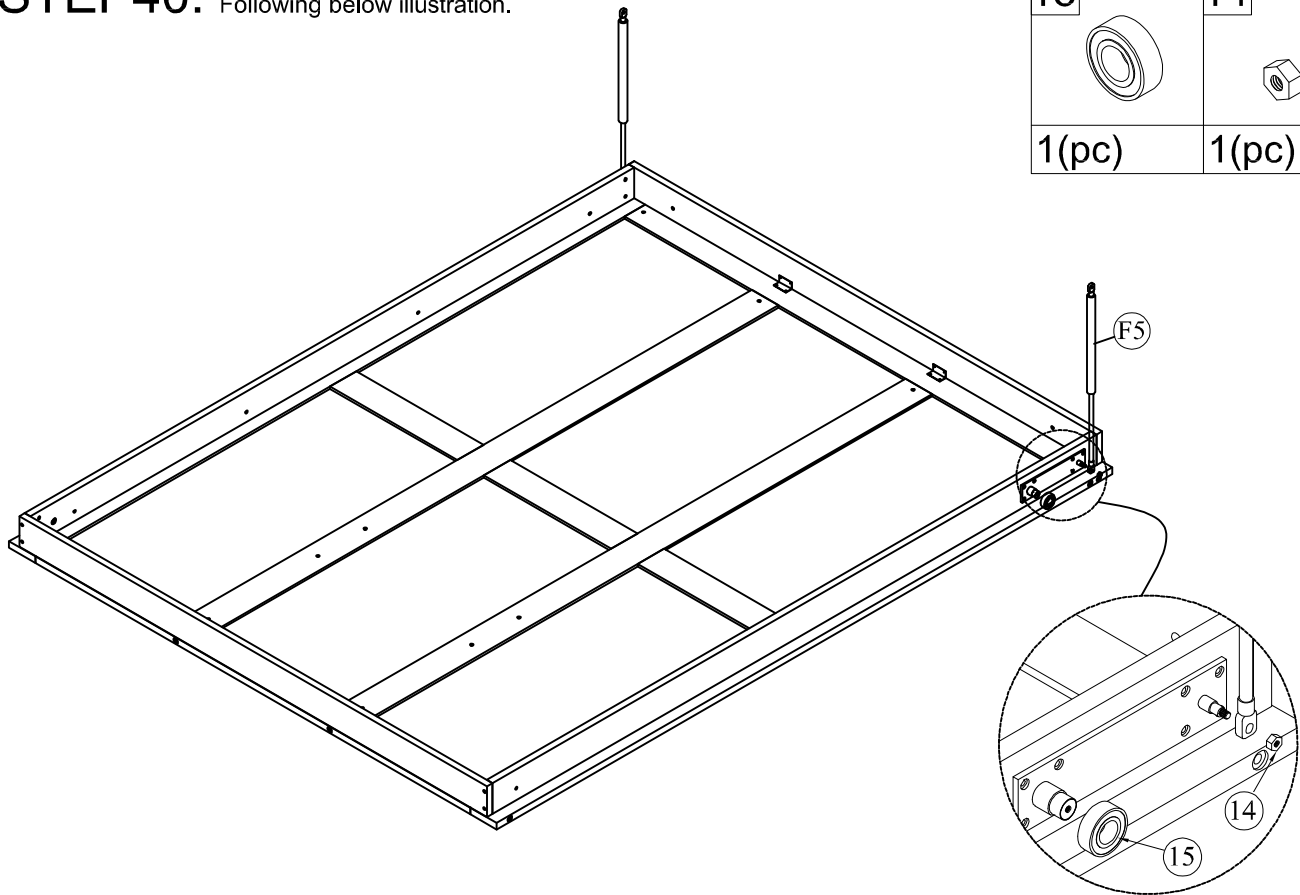


1(pc)



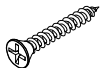
**STEP40:** Following below illustration.

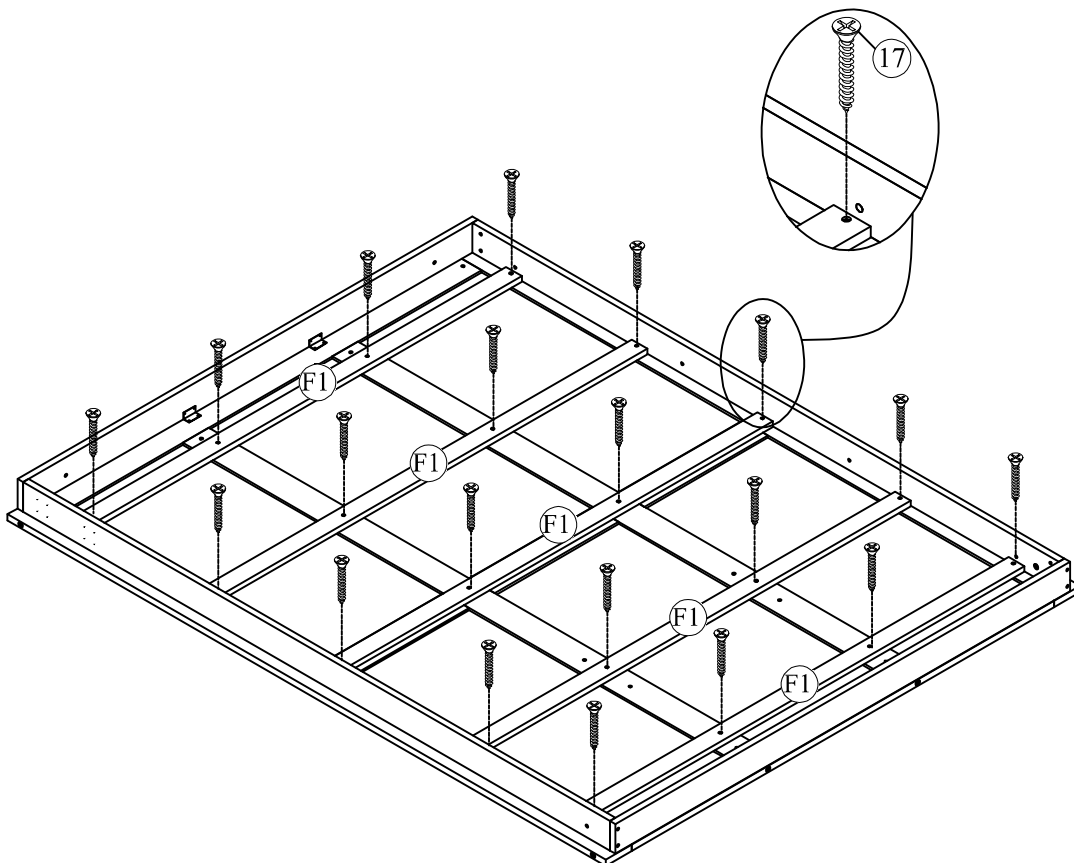
15	14
	
1(pc)	1(pc)



37/51

**STEP41:** Following below illustration.

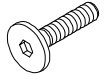
17

20(pcs)



38/51

**STEP42:** Following below illustration.

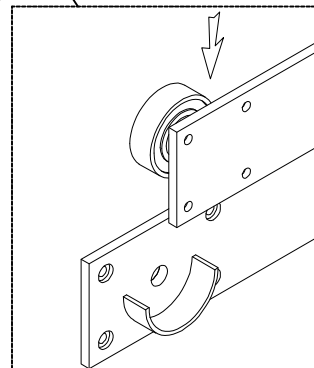
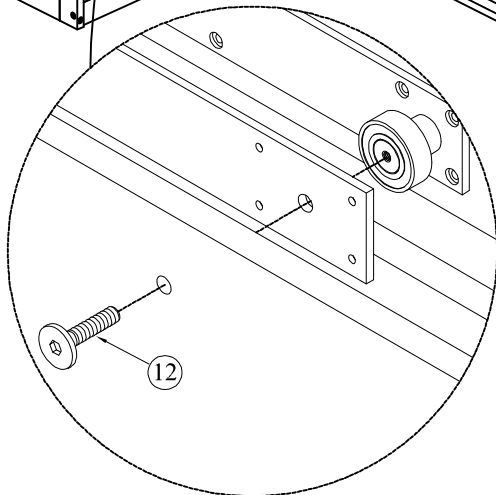
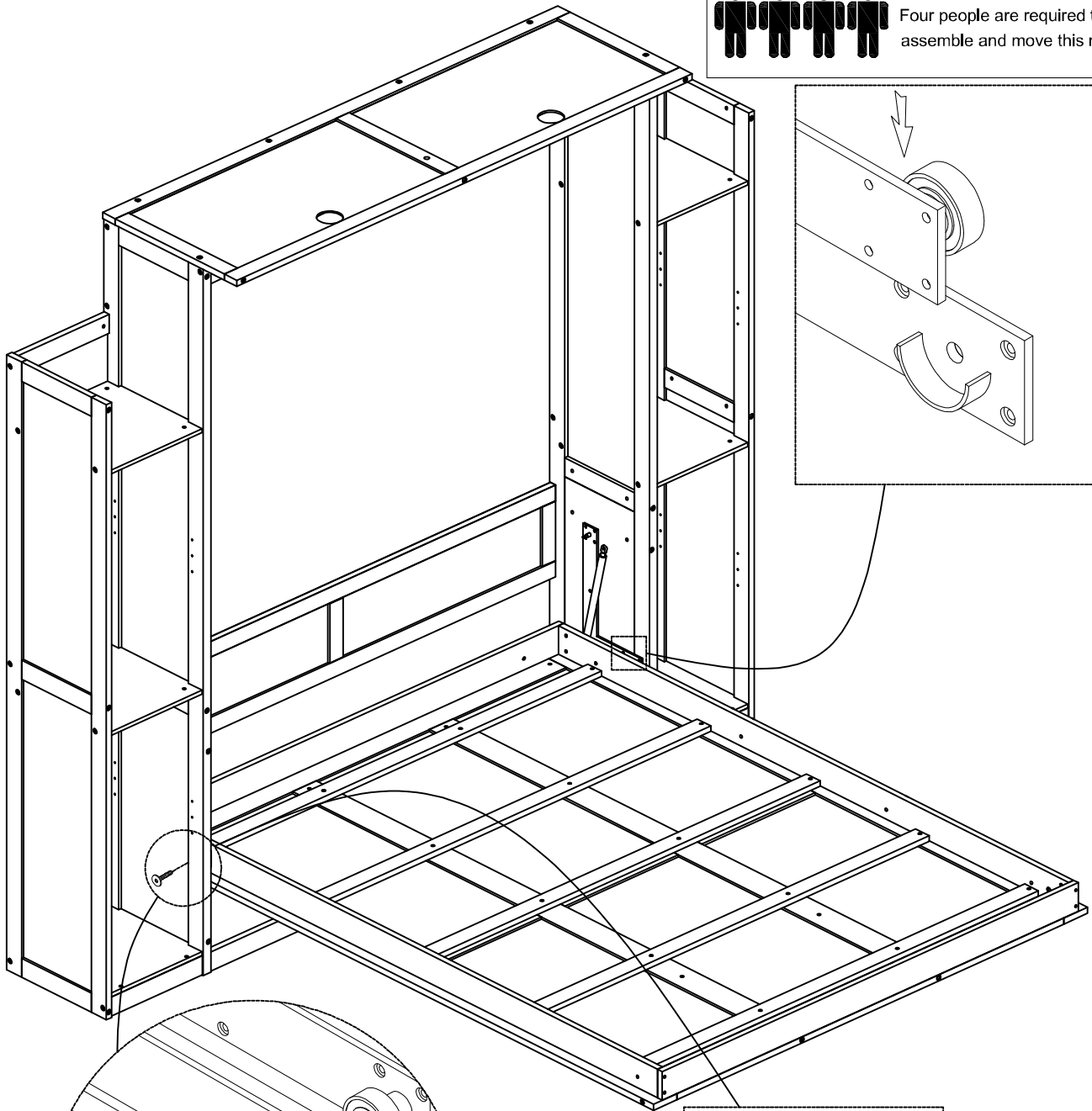
12



2(pcs)



Four people are required to assemble and move this model.

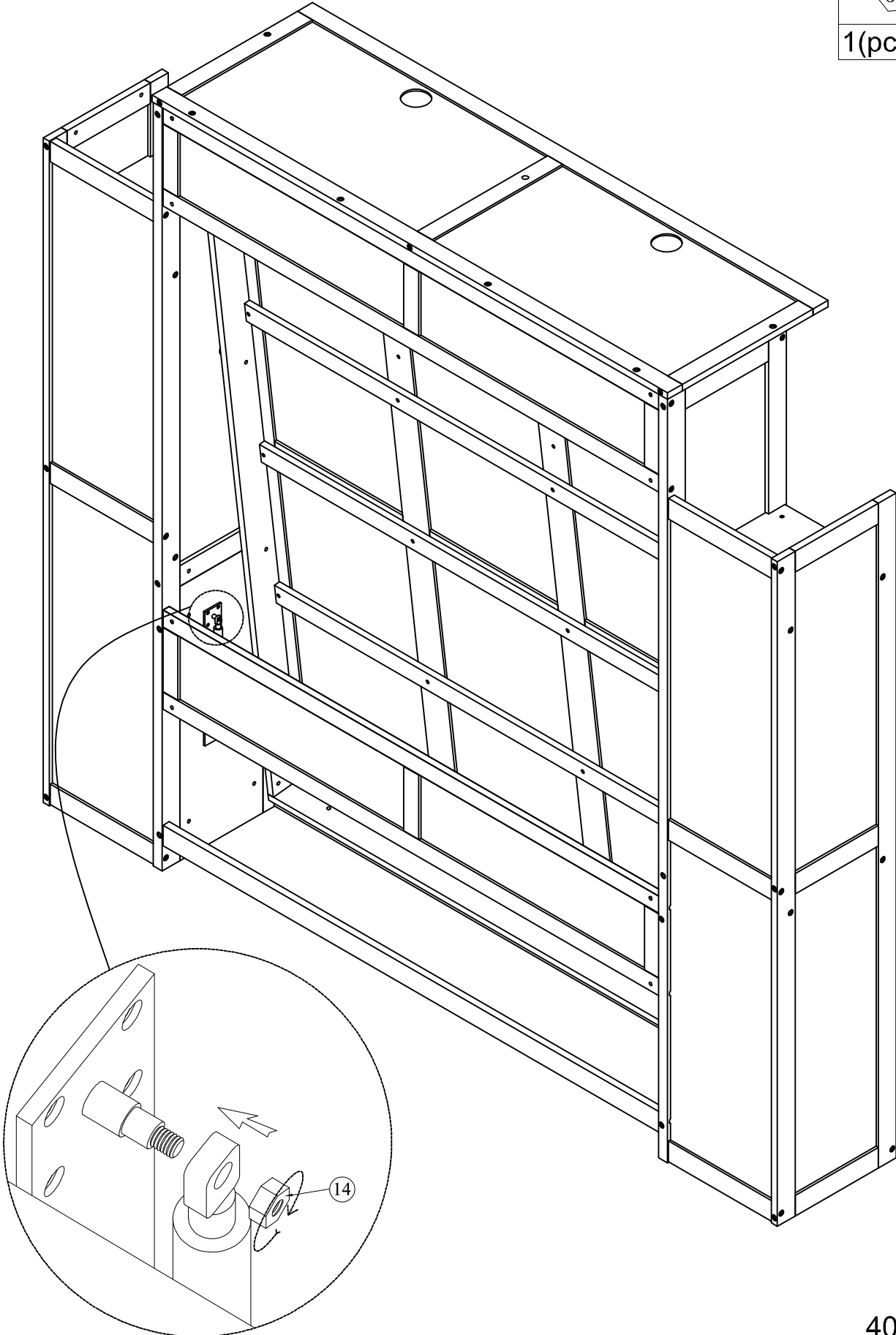


**STEP43:** Following below illustration.

14



1(pc)

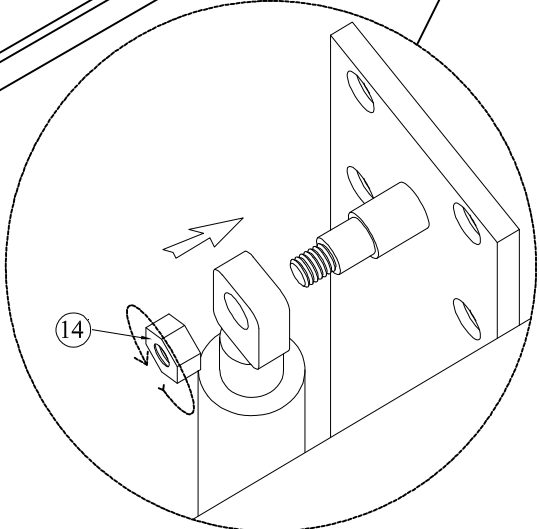
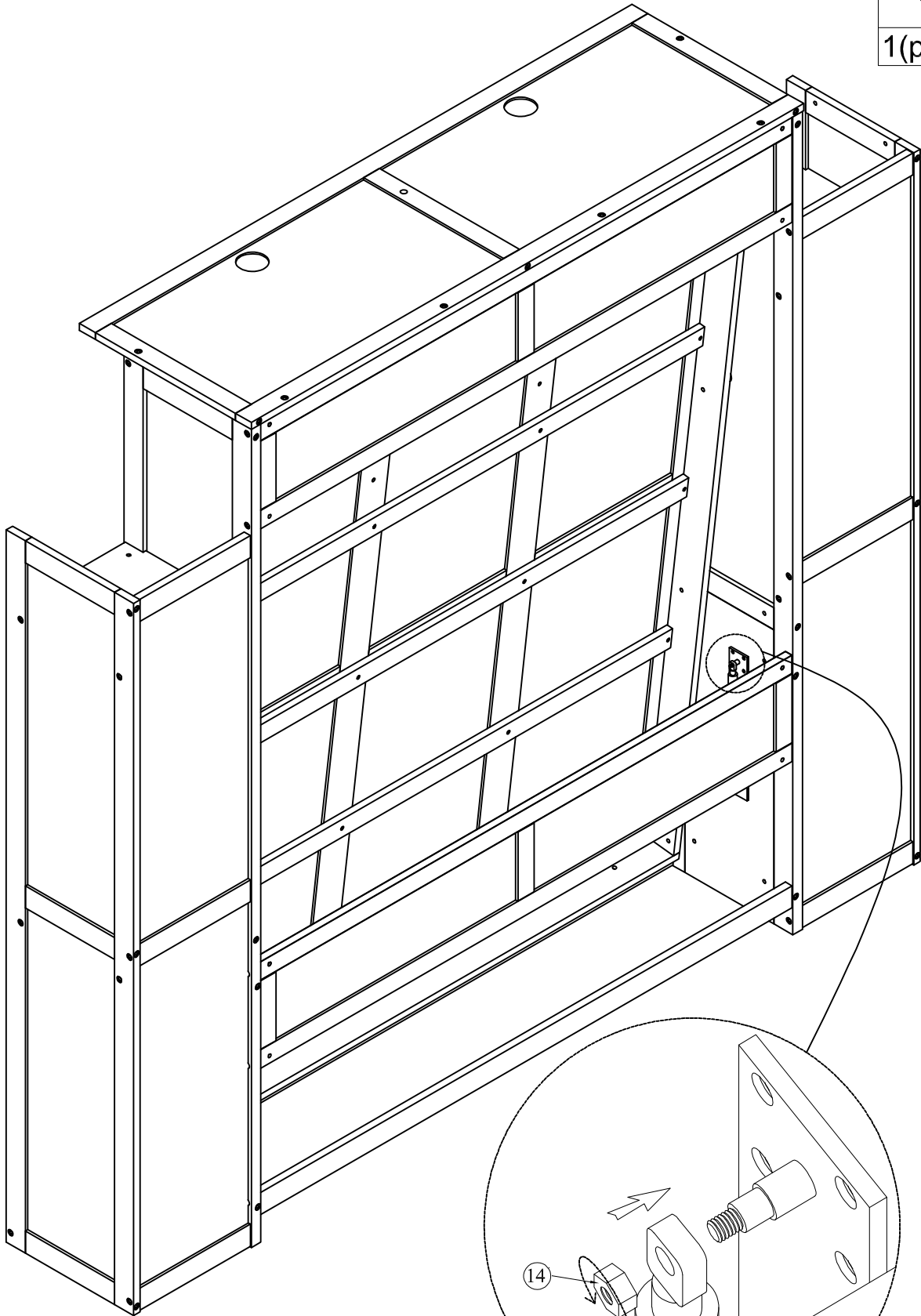


**STEP44:** Following below illustration.

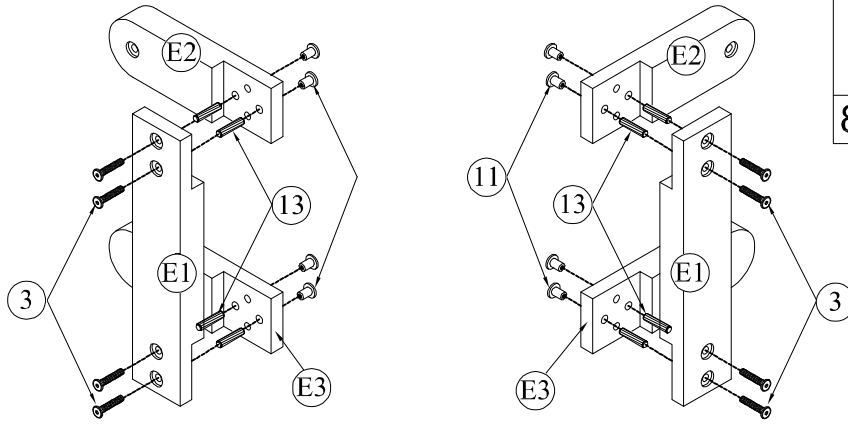
14



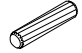


1(pc)

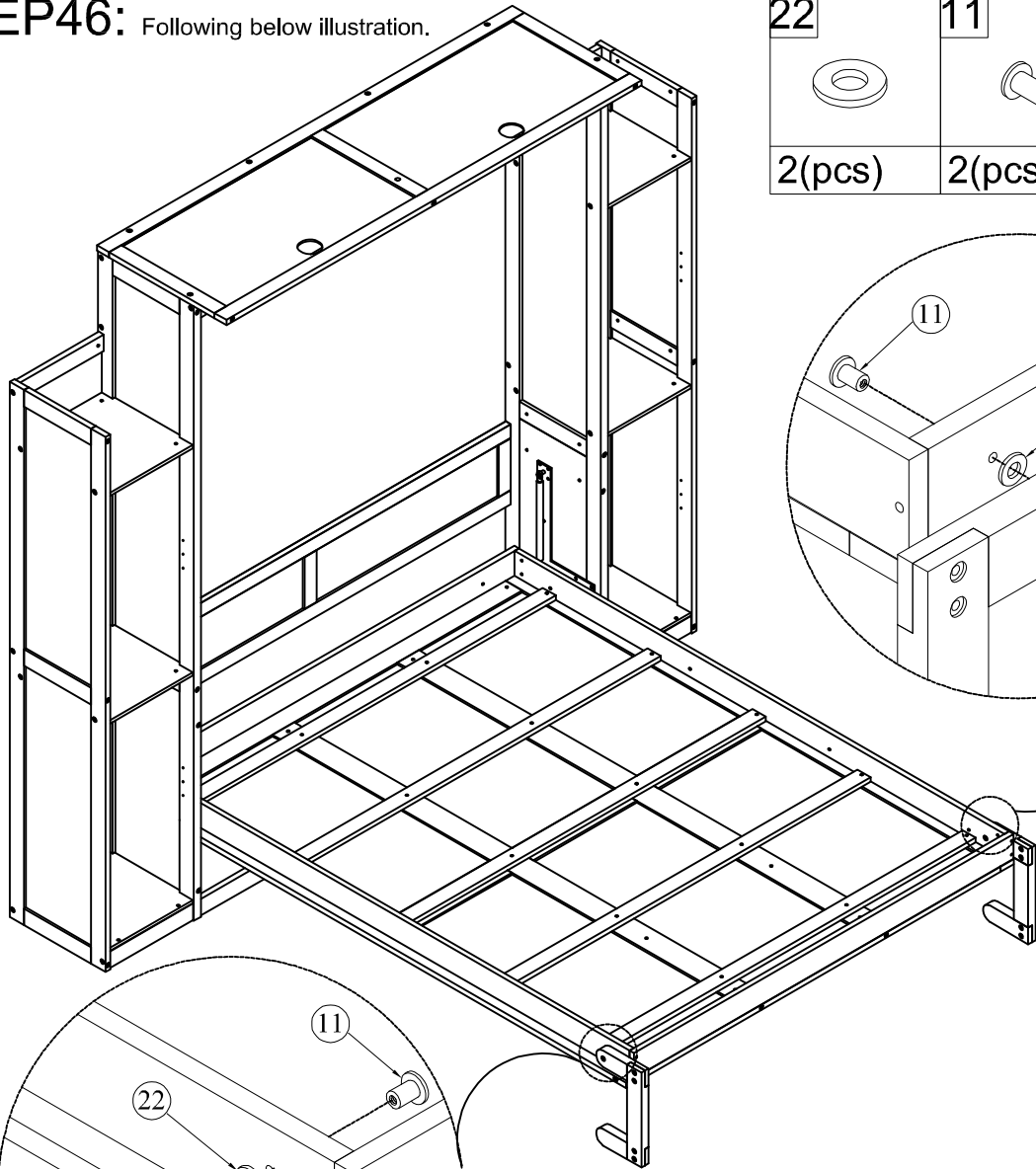




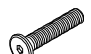
**STEP45:** Following below illustration.



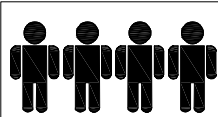
11	3
	
8(pcs)	8(pcs)
	13
	
	8(pcs)

**STEP46:** Following below illustration.

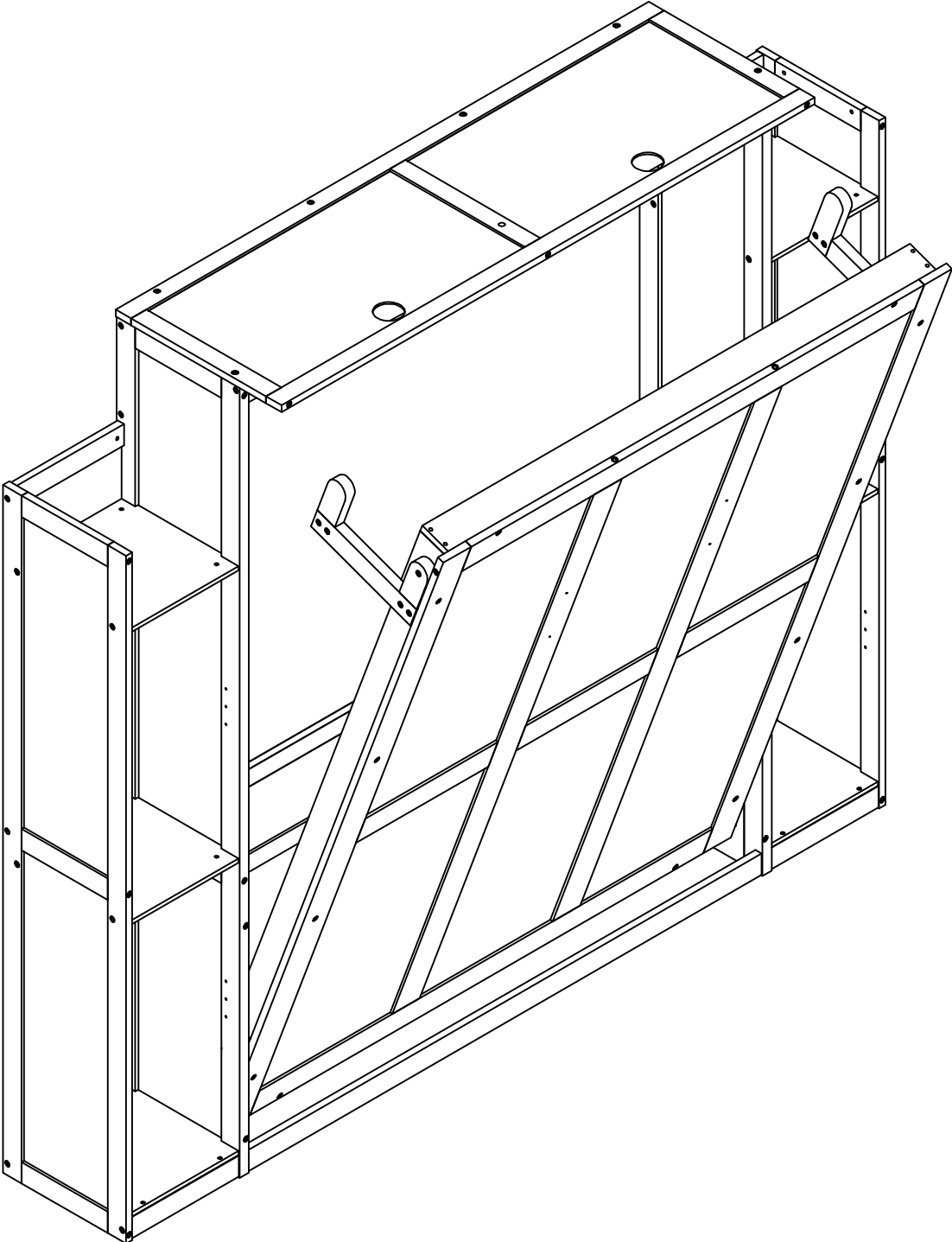


22	11	4
		
2(pcs)	2(pcs)	2(pcs)

**STEP47:** Following below illustration.

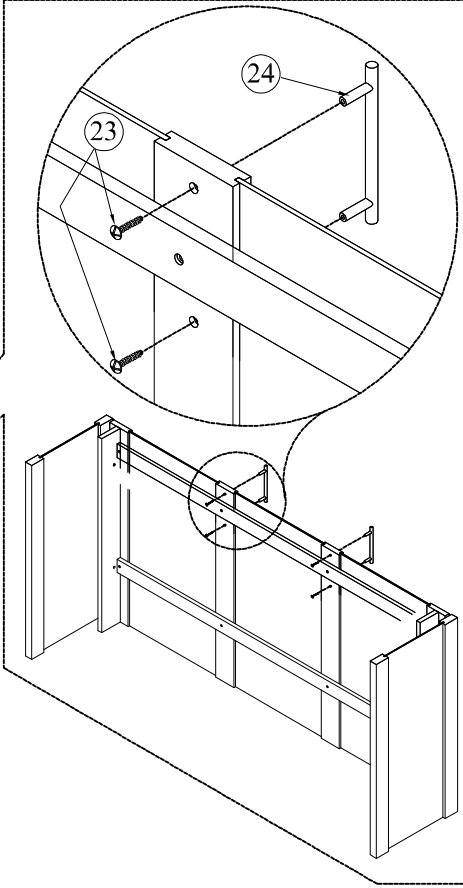
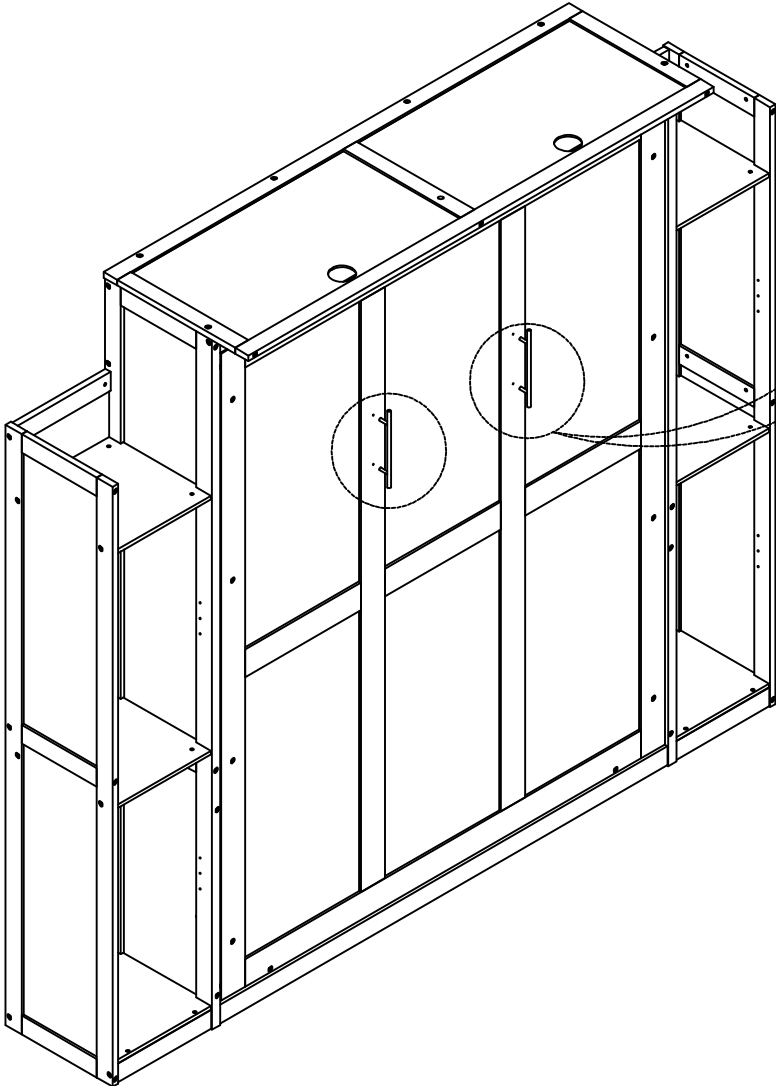


.Requires 4 people to assemble  
(2 people hold the large cabinet  
in place and 2 people tilt the bed  
until accessories are in place)



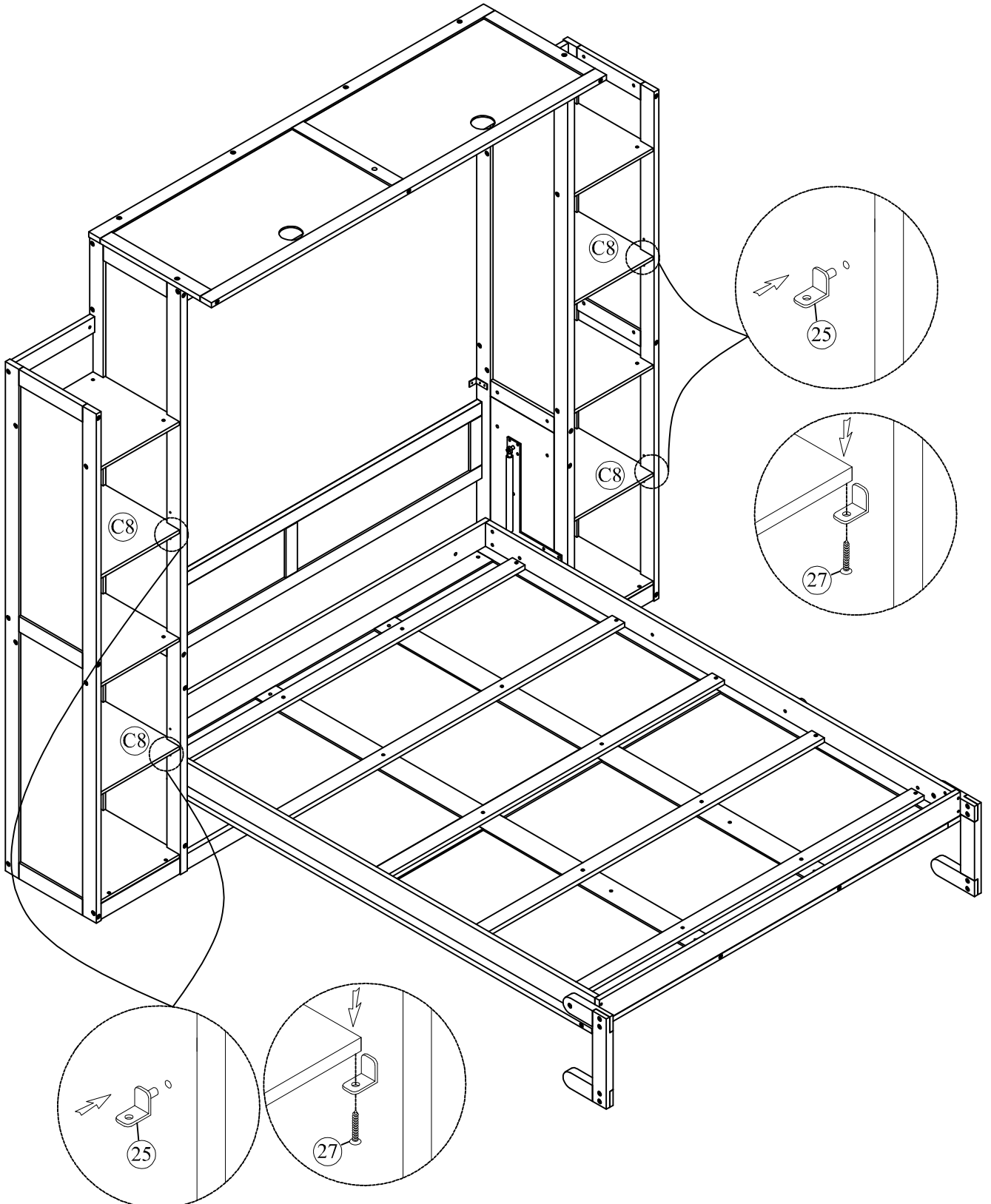
**STEP48:** Following below illustration.

24	23
2(pcs)	4(pcs)

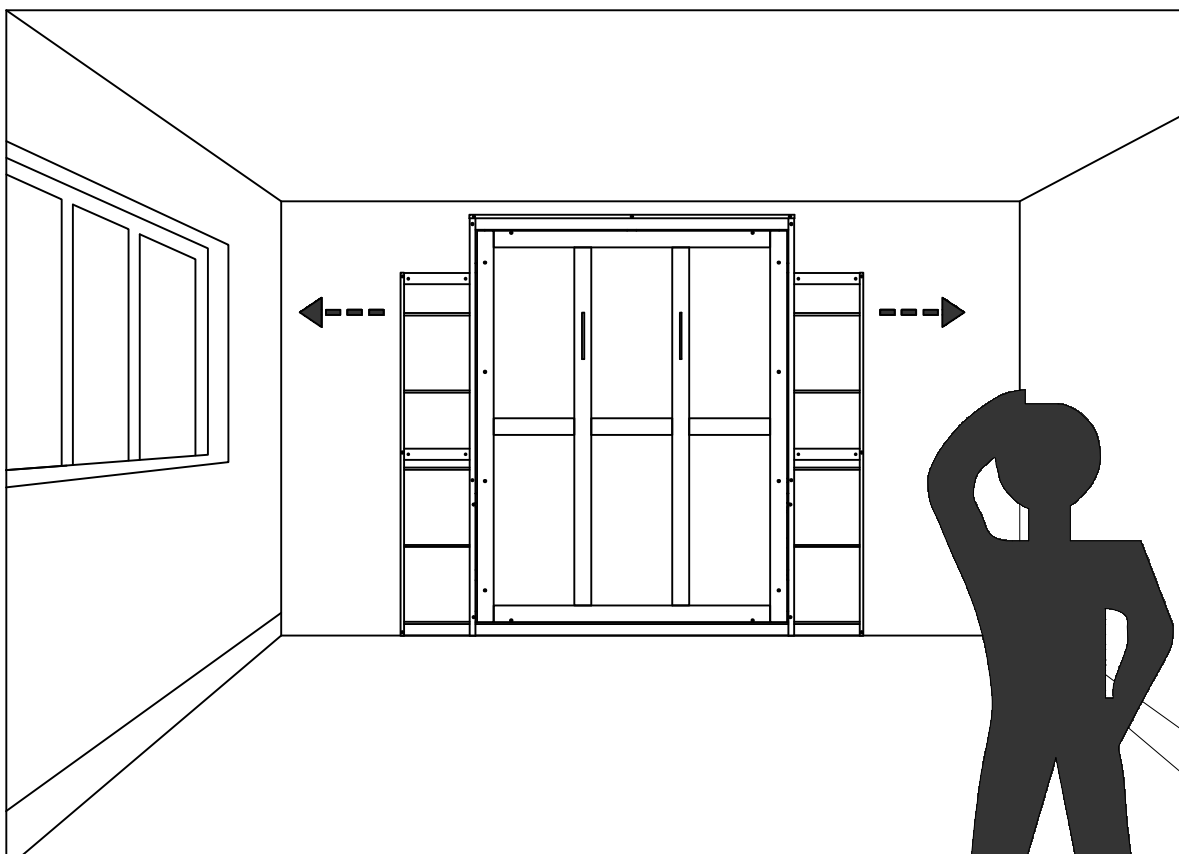


**STEP49:** Following below illustration.

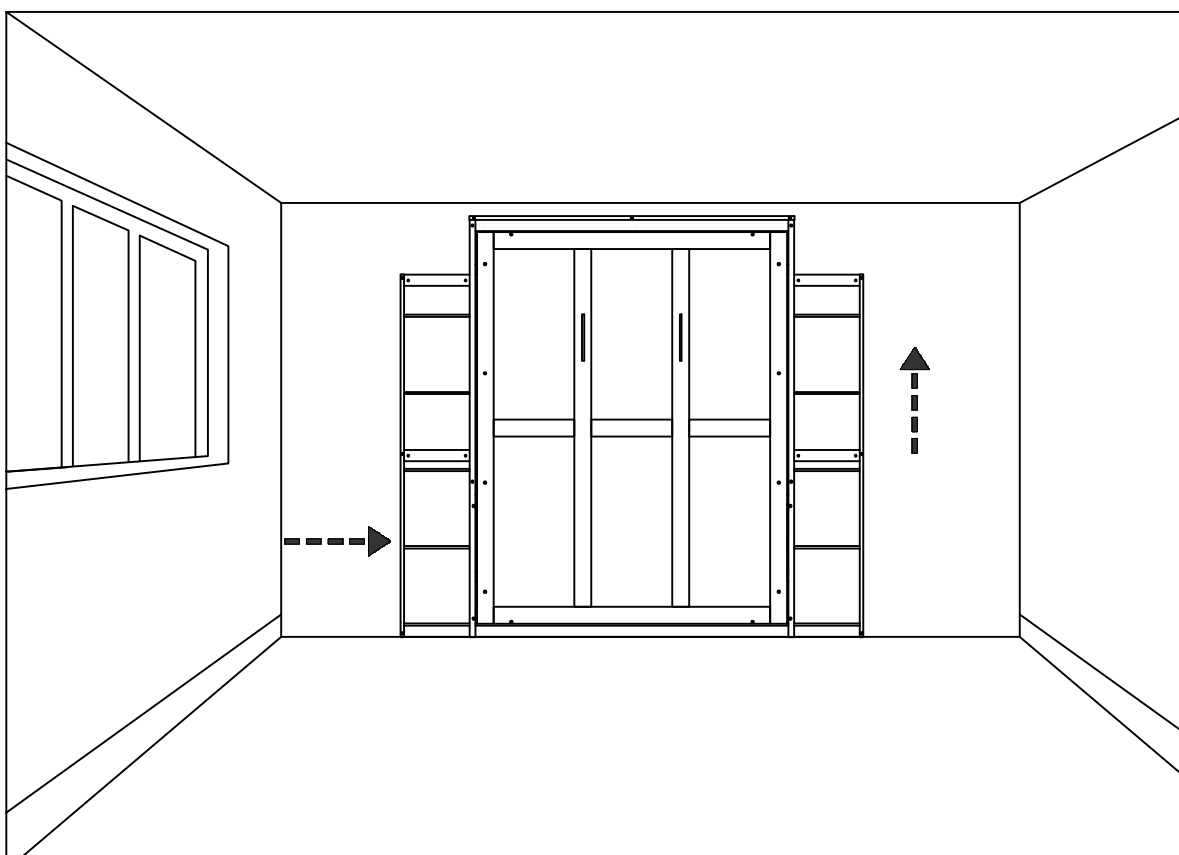
27	25
16(pcs)	16(pcs)



1- Determine the position of the bed in the room.

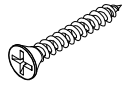


2- Put the bed back in its place. Please keep it vertical and horizontal.




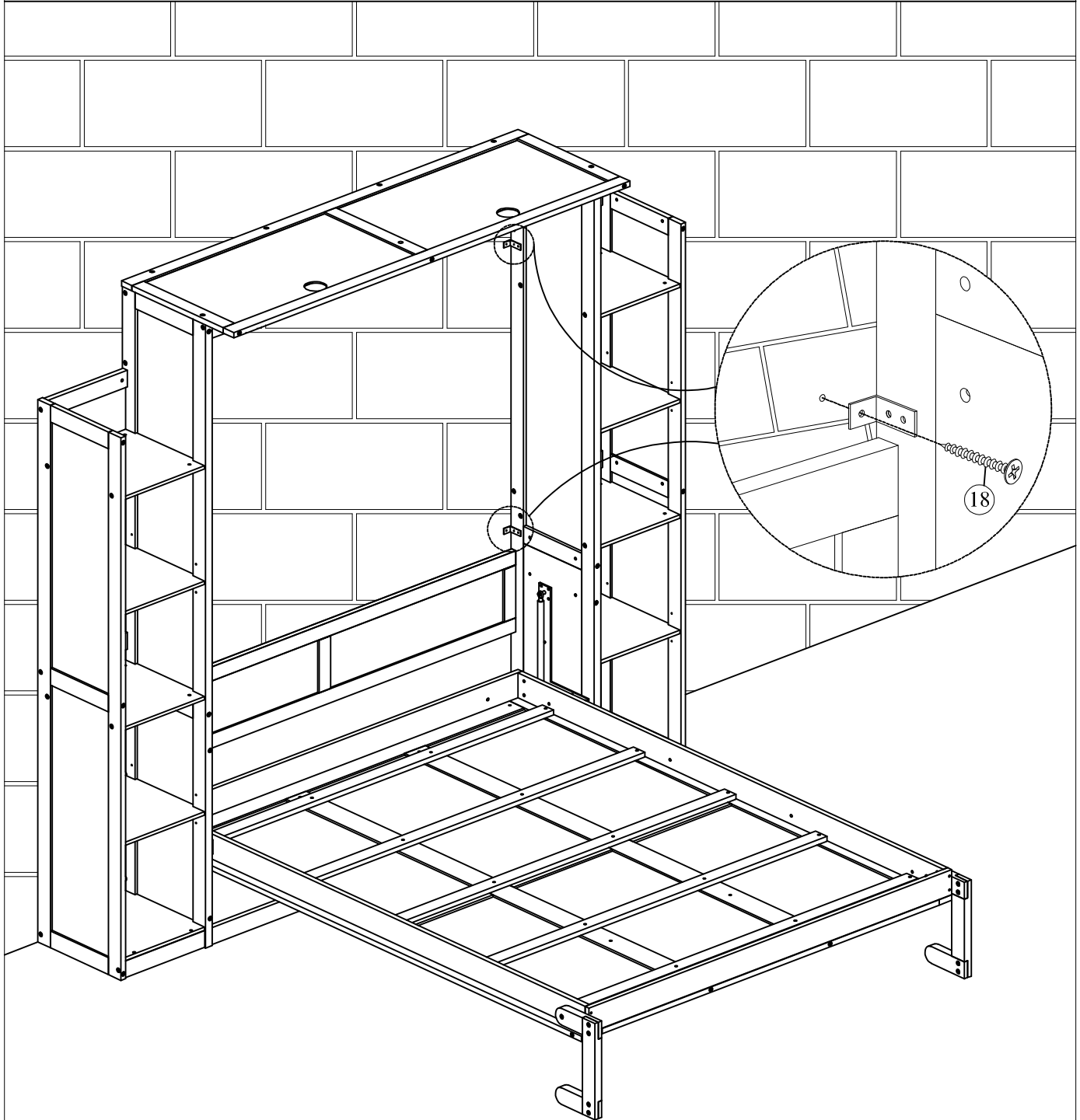
# STEP50: Following below illustration.

18



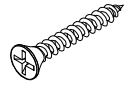
2(pcs)

 .Requires 4 people to assemble  
(2 people hold the large cabinet  
in place and 2 people tilt the bed  
until accessories are in place)



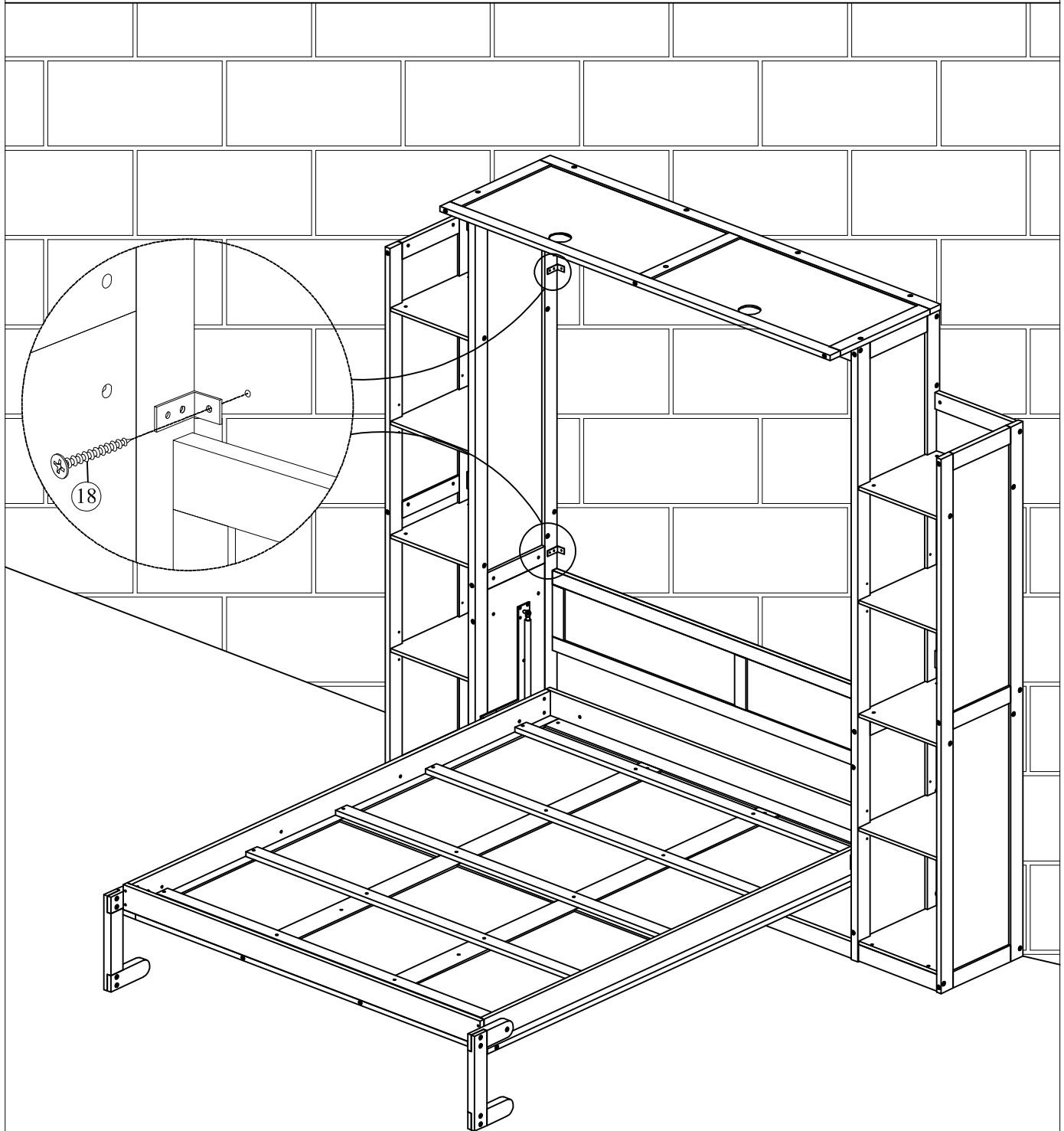
# STEP51: Following below illustration.

18

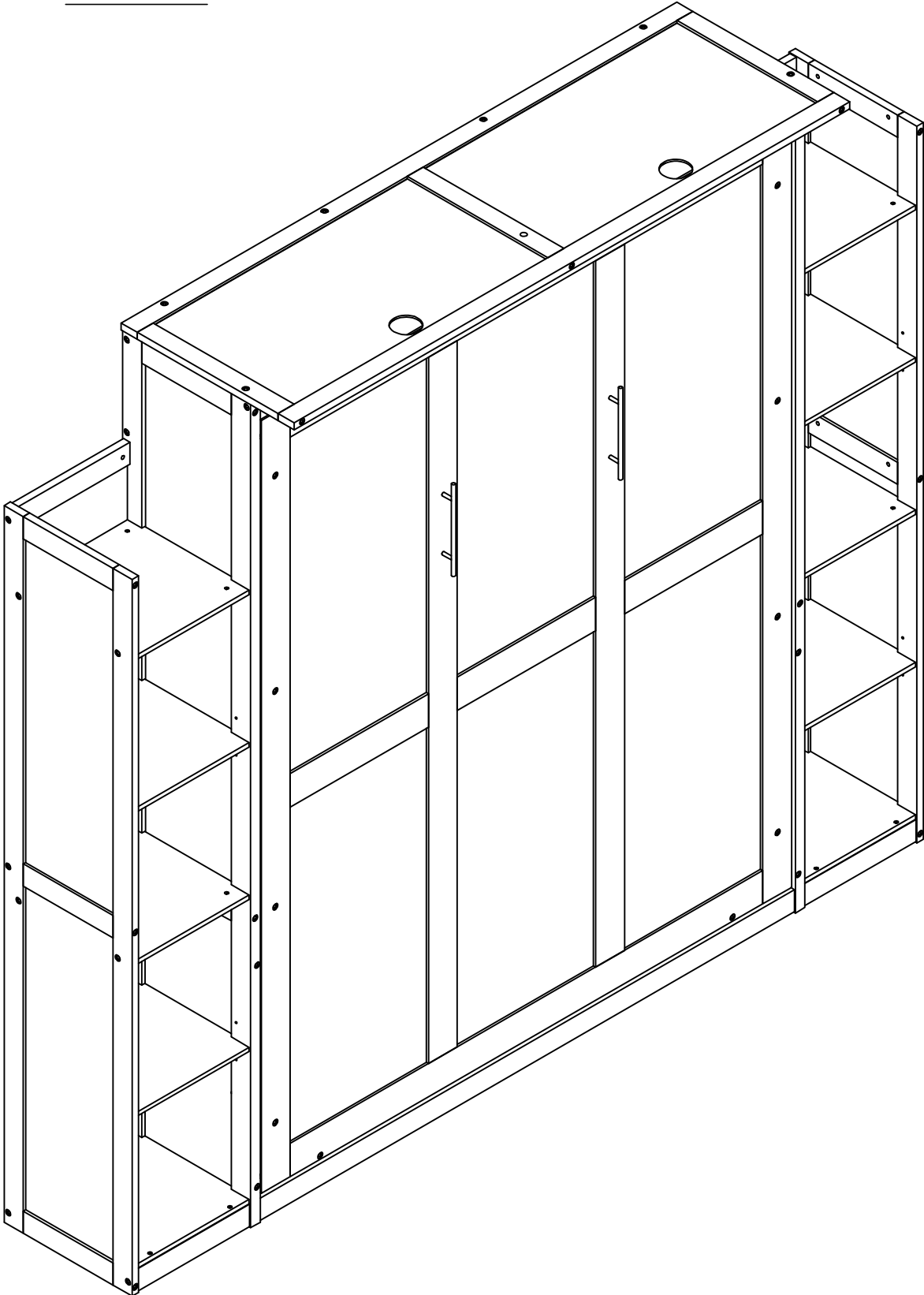


2(pcs)

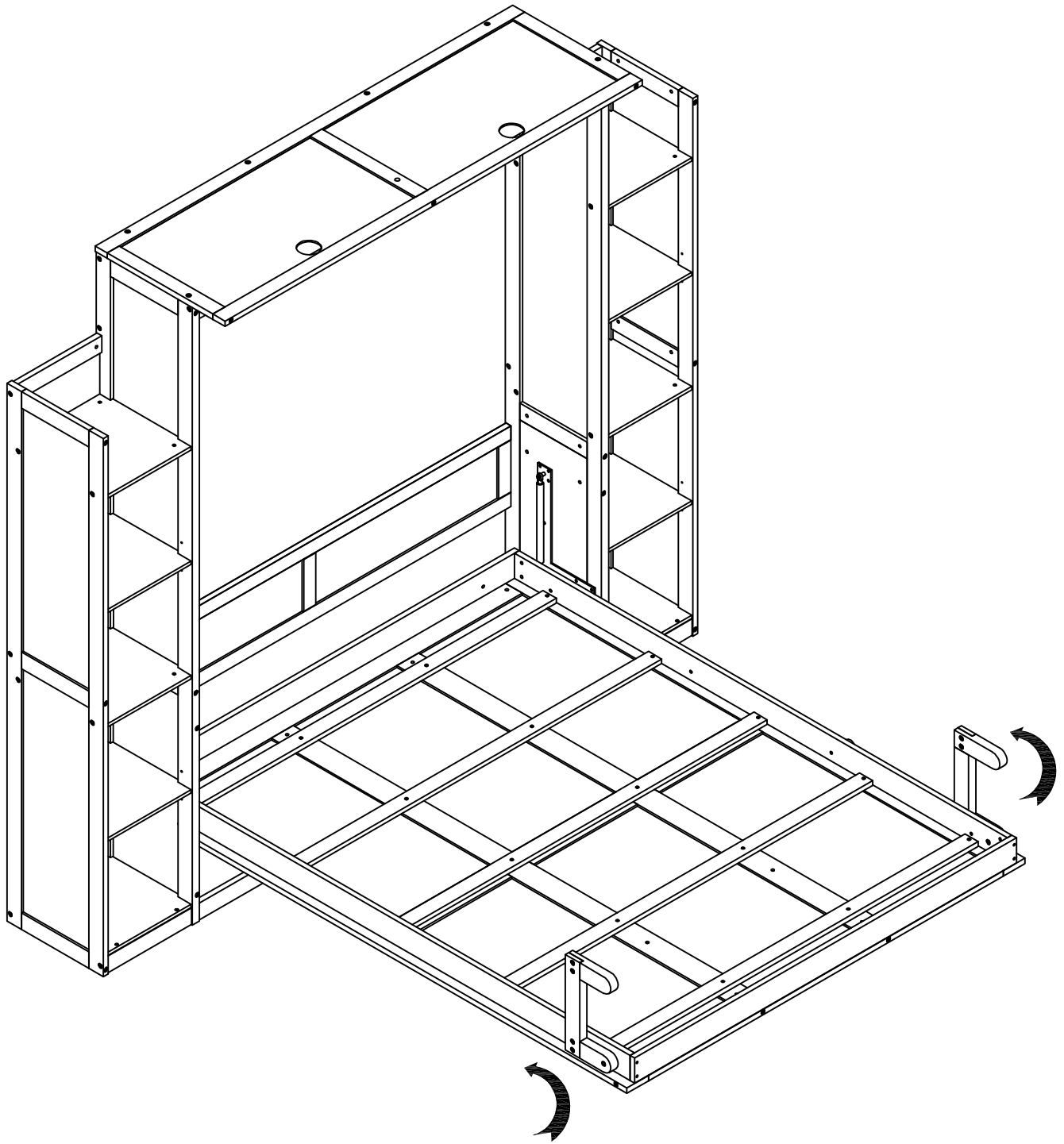
 .Requires 4 people to assemble  
(2 people hold the large cabinet  
in place and 2 people tilt the bed  
until accessories are in place)



**OPTION 2**



**STEP1:** Following below illustration.



**STEP2:** Following below illustration.

