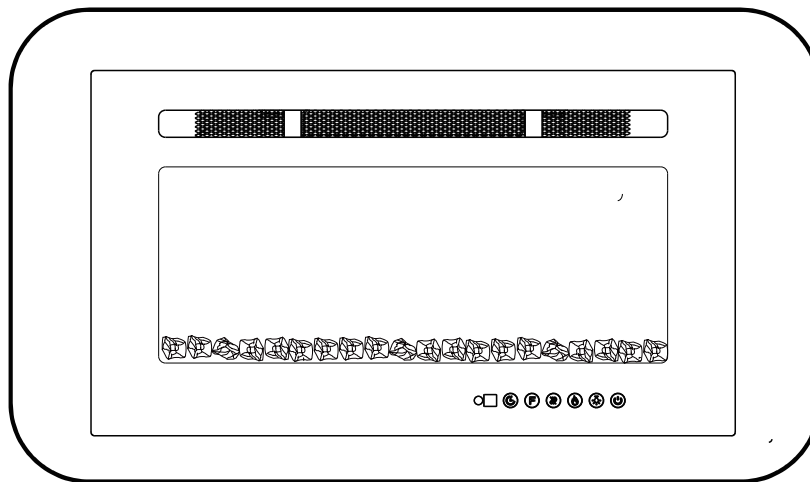


Electric Fireplace



Assembly Instructions

- 2 Warning
- 4 Unpacking & Assembly Instructions
- 5 Installation Instructions
- 11 Operating Instructions
- 14 Cleaning & Maintenance
- 17 Troubleshooting

Please take a moment to read through the entire instruction booklet before assembly to familiarize yourself with this product. Once you feel ready to start, follow the instructions step by step and this should make this process as easy as we could make it for you.

If you need help or have damaged or missing parts, contact customer service

WARNING CAUTION

ADULT ASSEMBLY REQUIRED
PARENTAL SUPERVISION IS REQUIRED

IMPORTANT SAFETY INFORMATION!



WARNING



- **Read all instructions before using this heater!**
- This heater is hot **when in use**. To avoid burns, **DO NOT** let bare skin touch hot surfaces. If provided, use handles when moving this heater. Keep **combustible materials**, such as furniture, pillows, bedding, papers, clothes, and curtains at least **3 feet (0.9m)** from the front of **the heater**, and **keep them away from the sides and rear**.
- **Extreme caution** is necessary when any heater is used by or near children or invalids and whenever the heater is left **operating and unattended**.
- **DO NOT** operate any heater with a **damaged cord or plug** or after the **heater malfunctions**, has been **dropped** or **damaged in any manner**. Discard heater, or return to authorized service facility for examination and /or repair.
- **DO NOT** run power cord under carpeting. **DO NOT** cover power cord with throw rugs, runners, or similar coverings. **DO NOT** route power cord under furniture or appliances. Arrange power cord away from **traffic area**, and where it will not be tripped over.



WARNING



- **Connect to properly grounded outlets ONLY.**
- **DO NOT** insert or allow foreign objects to **enter any ventilation or exhaust openings**, as this may cause **electric shock** or **fire**, or **damage the heater**.
- To prevent a possible fire, **DO NOT** block air intakes or exhaust in any manner. Doing so could cause a fire. **DO NOT** use on soft surfaces, like a bed, where openings may become blocked.
- A heater has **hot and arcing or sparking parts inside**. **DO NOT** use it in areas where **gasoline, paint, or flammable liquids** are used or stored.
- **Use this heater only as described in this manual. Any other use not recommended by the manufacturer may cause fire, electric shock, or injury to persons.**
- **ALWAYS** plug heaters directly into a wall outlet/receptacle. **Never use with an extension cord or relocatable power tap (outlet/power strip).**
- **DO NOT** place the heater near a bed because objects such as pillows or blankets can fall off the bed and be ignited by the heater.
- **NEVER** use this heater in **bathrooms, laundry rooms**, or any other location where the heater could fall into a **bathtub** or **pool**, **become damp** or **come in contact with water**.
- **AVOID FIRE!** Regularly inspect all air vents to make sure they are free from dust, lint, or other Blockage. **Unplug the unit** and clean with a **vacuum ONLY**. **DO NOT** rinse or get wet.
- **ALWAYS** mount to wall bracket before use. **DO NOT** set on the floor, or other surface, to use.

WARNING

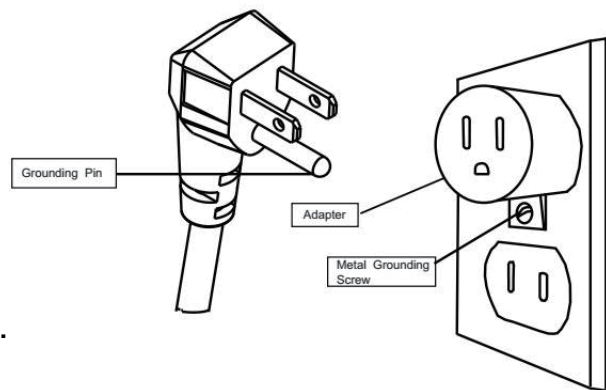


CAUTION

- **NEVER** use a wall mount bracket from another manufacturer.
- This product is **not intended** to be a **primary heat source**. It is for **supplemental heat only**.
- **INDOOR use only! NEVER** use this heater **outdoors!** Doing so may result in **electric shock!**
- **Risk of electric shock! DO NOT OPEN!** No user-serviceable parts inside!
- **ALWAYS** turn this heater off before unplugging it from the outlet.
- **ALWAYS disconnect** this unit from the **power supply before** performing any assembly or cleaning, or before relocating the electric fireplace.
- **NEVER** leave this heater unattended. **ALWAYS** unplug this heater when not in use.
- **ALWAYS** store this heater in a dry location. **NEVER** use the fireplace if it has become wet.
- **NEVER** plug this heater into an outlet that is **old, cracked,** or has any **loose wires or connections**. Plugging this heater into a faulty outlet could result in **electric arcing** within the outlet that could cause the **outlet to overheat or catch fire**.
- **ALWAYS** check your heater cord and plug connections with **each use!**
 - i) **MAKE SURE** the plug fits tight in the outlet! Faulty wall outlet connections or loose plugs can cause the outlet to overheat.
 - ii) **Heaters draw more current** than small appliances. **Overheating** may occur even if it has not occurred with the use of other appliances.
 - iii) During use **check frequently** to see if the **plug outlet or face plate is HOT!**
 - iv) If the outlet or face plate is **HOT, discontinue use immediately** and have a qualified electrician inspect and/or replace the faulty outlets.

- The power cord supplied with the heater has a plug with two flat blades (live and neutral) and one round pin (ground). If a 3-slot receptacle is not available, an adapter **MUST** be used. The adapter **MUST** be **properly grounded** to the outlet box (see figure at right). (Note: Adapter NOT INCLUDED.)

- **SAVE THESE INSTRUCTIONS!**



PREPARATION



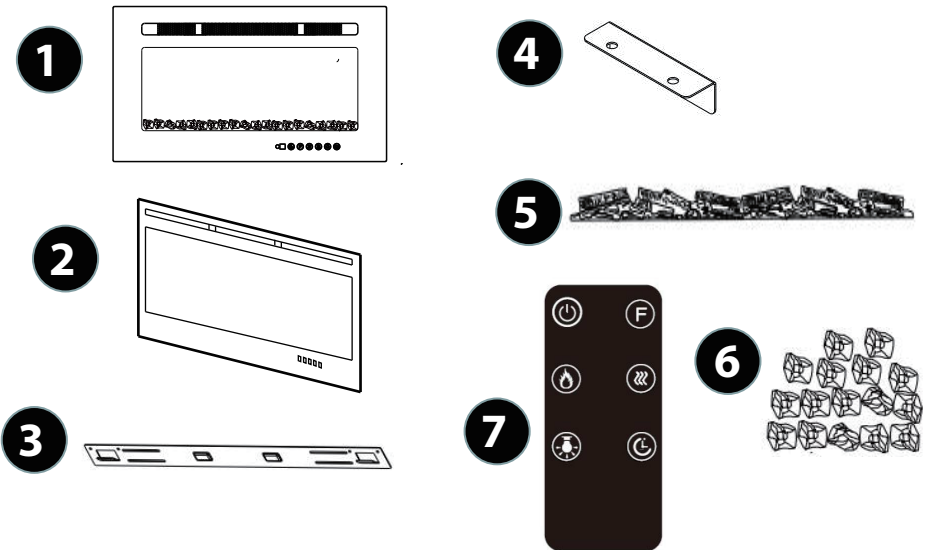
This product includes a **GLASS panel!** Always use **extreme caution** when handling **glass**. Failure to do so could result in **personal injury or property damage**.

Remove all parts and hardware from the carton and place them on a clean, soft, dry surface. Parts and assembly steps are grounded for wall-hanging or recessing use. Check the parts list to make sure nothing is missing. Dispose of packaging materials properly. Please recycle whenever possible. **You will need the following tools** (not included): Phillips screwdriver; stud finder; level; tape measure; electric drill; 1/4" wood drill bit, hammer.

COMPONENT PARTS

Please check that you have all the parts listed below

1. Fireplace firebox x1
2. Fireplace Front Glass Panel x1
3. Wall Bracket - at back of firebox x1
4. Metal Bracket x1
5. Firelog setx1
6. Decorative Crystals x1
7. Remote Control x1

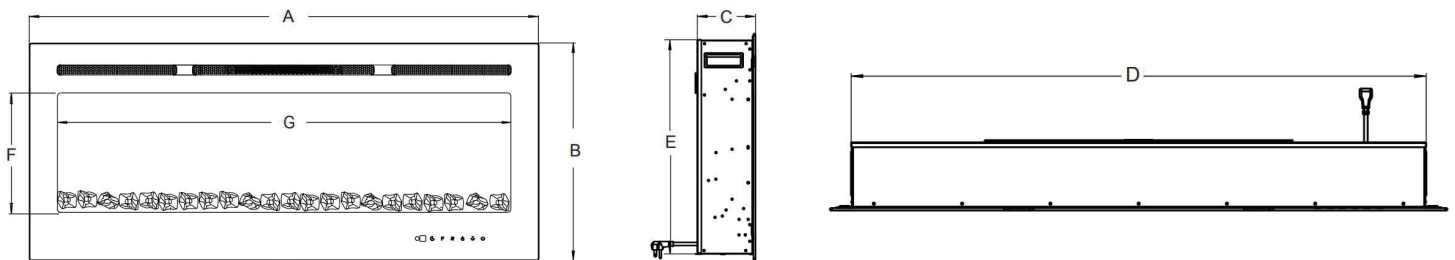


ASSEMBLY HARDWARE

A. Wood Screws Short	B. Wall Anchors
7	7
9	9
9	9



DIMENSIONS



A	B	C	D	E	F	G
30" 76.2cm	17.0" 43.2cm	4.13" 10.5cm	26.2" 66.5cm	16.2" 41.2cm	9.1" 23.2cm	23.7" 60.2cm
40" 101.6cm	17.0" 43.2cm	4.13" 10.5cm	36.2" 91.9cm	16.2" 41.2cm	9.1" 23.2cm	33.7" 85.6cm
50" 127.0cm	17.0" 43.2cm	4.13" 10.5cm	46.2" 117.3cm	16.2" 41.2cm	9.1" 23.2cm	43.7" 111.0cm

INSTALLATION

Your appliance is a wall-mounted, recessed and/or mantel installed appliance. Select a suitable location that is not susceptible to moisture and is away from drapes, furniture and high traffic areas.

NOTE: FOLLOW ALL NATIONAL AND LOCAL ELECTRICAL CODES.

MINIMUM CLEARANCE TO COMBUSTIBLES

Measurements are taken from the glass front

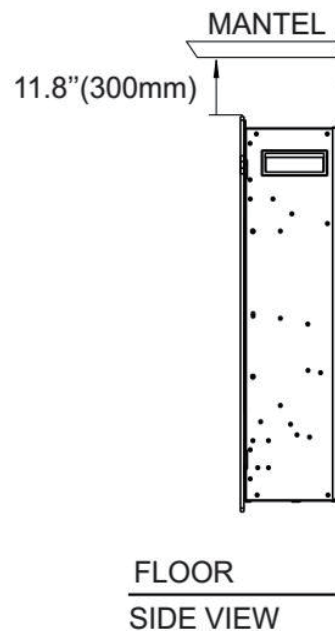
Top	8" (300mm) to mantel
Top	8" (300mm) to ceiling
Bottom	0"
Sides	0"
Back	0"

MINIMUM MANTEL CLEARANCE

WARNING

WHEN USING PAINT OR LACQUER TO FINISH THE MANTEL, THE PAINT OR LACQUER MUST BE HEAT RESISTANT TO PREVENT DISCOLORATION

Mantel required clearance from the
Top - 11 3/4" inches



HARD WIRING INSTALLATION

WARNING

TURN OFF THE APPLIANCE COMPLETELY AND LET COOL BEFORE SERVICING. ONLY A QUALIFIED SERVICE PERSON SHOULD SERVICE AND REPAIR THIS ELECTRIC APPLIANCE.

INSTALLATION

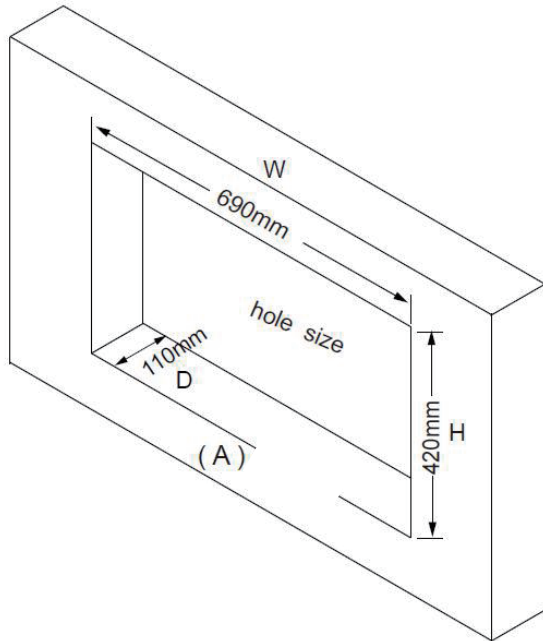
RECESSED WALL INSTALLATION

1

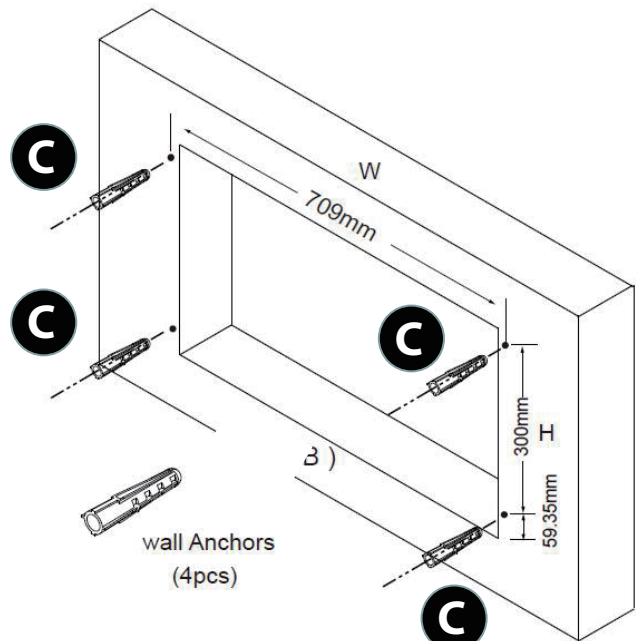
Select a dry wall to open a hole and mount firebox. Review the chart below to verify the size of the install hole to open. Figure A.

Framing Hole Size	
W	H
27.17"(69.0cm)	16.54"(42.0cm)
37.17"(94.4cm)	17.54"(67.4cm)
47.17"(119.8cm)	18.54"(92.8cm)

A



B



2

Drill and insert four (4) wall anchors in each side of the firebox according to the dimensions of the framing hole size selected. Figure B.

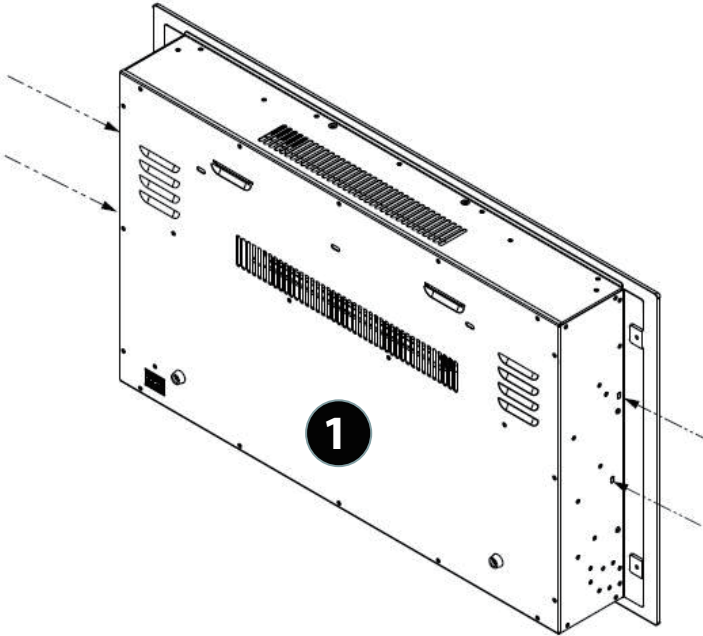
INSTALLATION

RECESSED WALL INSTALLATION CONTINUED

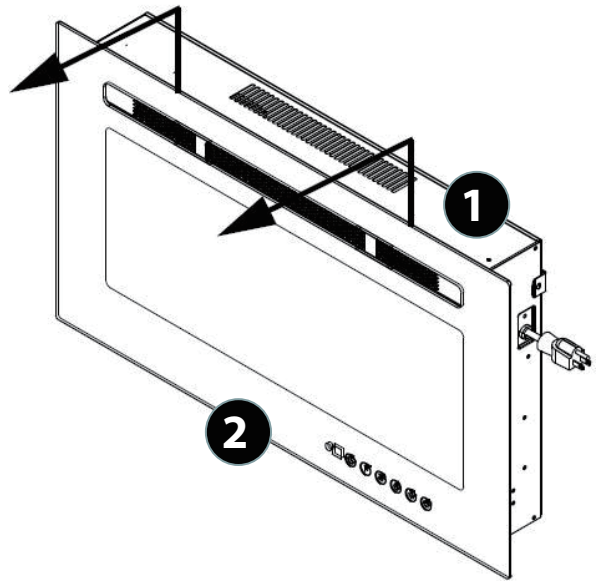
3 Take off the two screws in both sides of fireplace. Figure C.

4 Have two persons to take the glass panel out of the fireplace box. Place it to a soft and clean place. Figure D. Remove 2 packing foams from the firebox holding in the firelog set. Figure E.

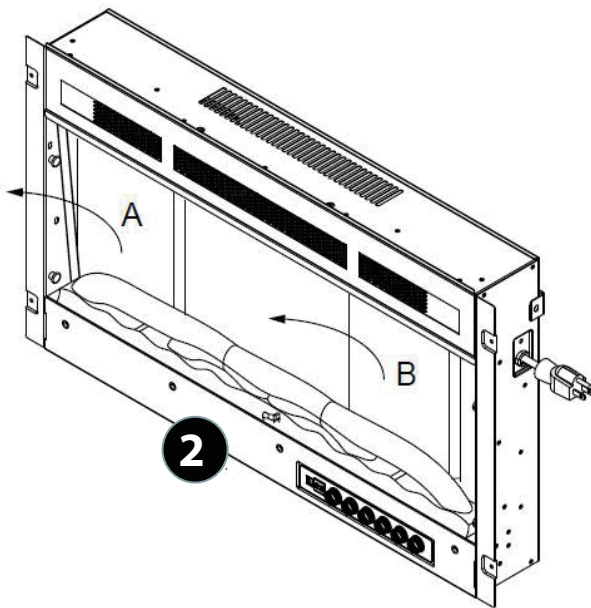
C



D



E



INSTALLATION

RECESSED WALL INSTALLATION CONTINUED

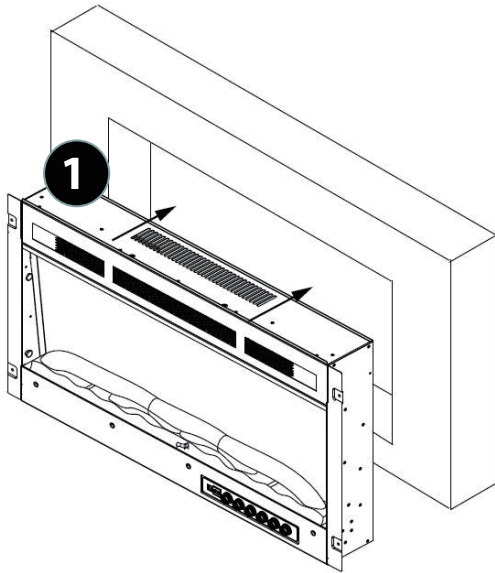
5

With 2 persons, carefully lift part 1 firebox and insert the unit into the wall hole. .Figure F.

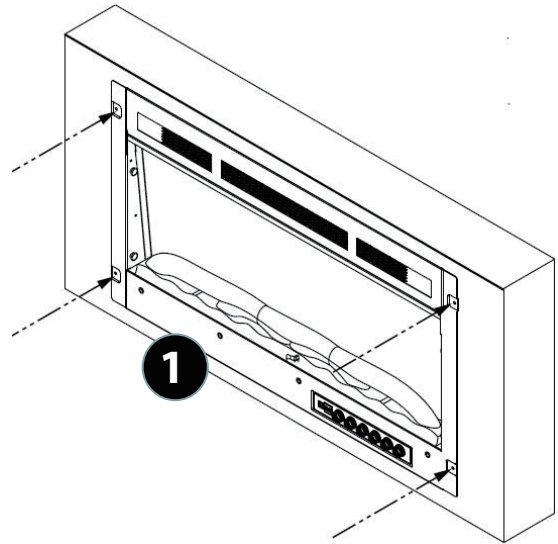
If the appliance is fully recessed into the wall

- Use 4 screws (included) to attach the appliance into the wall with the two side flanges. Figure G.
- Install the media and re-install the glass front.

F



G



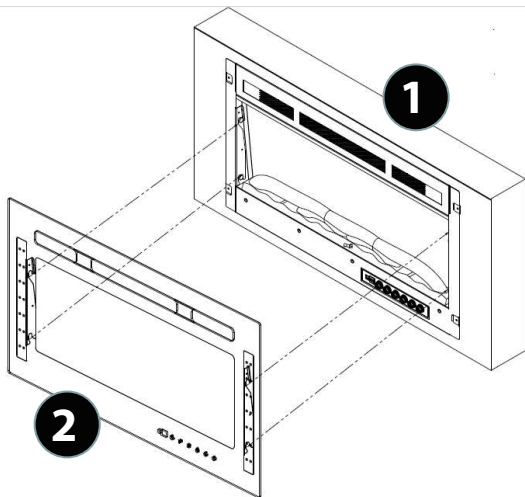
6

Place the part 2 lock the part 1. Figure H.

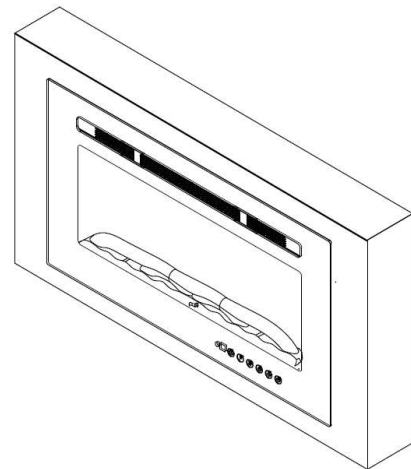
7

Installation complete. Figure I.

H



I

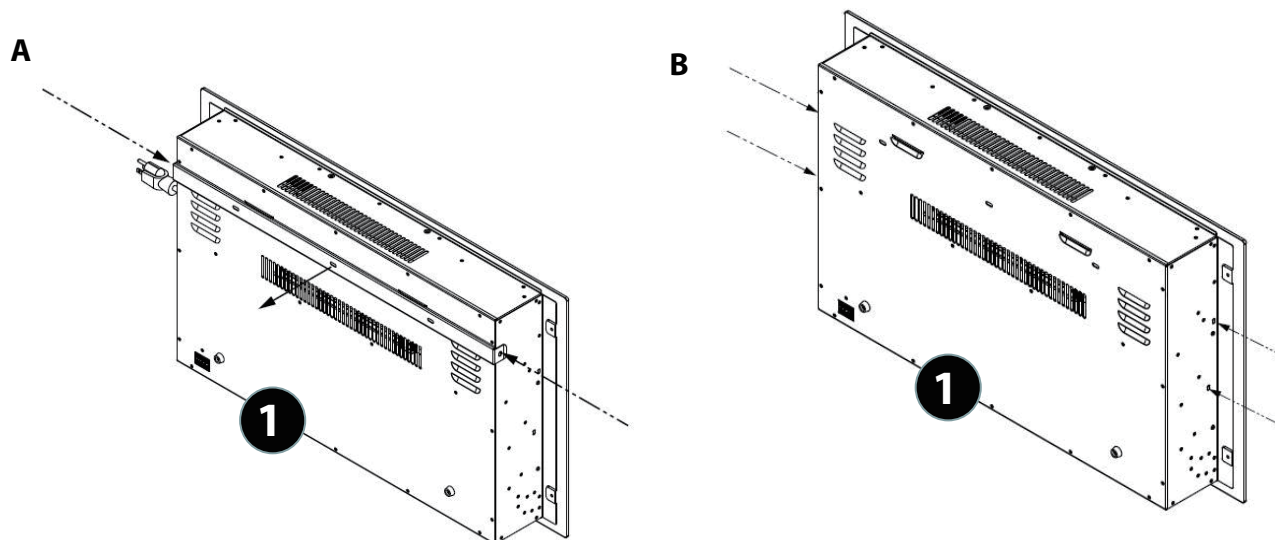


INSTALLATION

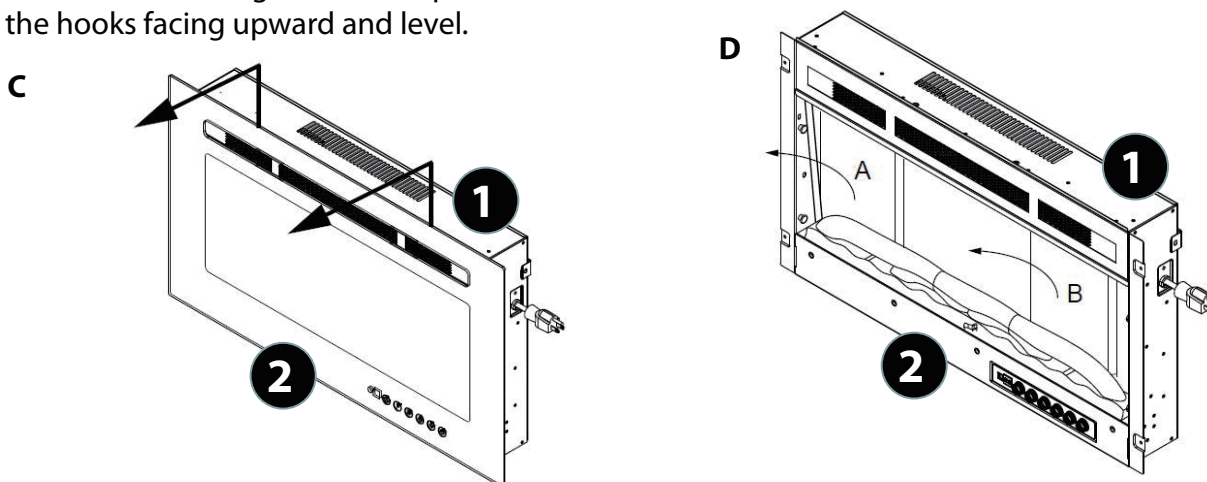
WALL MOUNTED INSTALLATION

Due to various building materials used for different walls, it is highly recommended you consult your local builder before you install this appliance on the wall.

- 1 Select a location that is not prone to moisture and is located at least 36" (914mm) away from combustible materials such as drapes, furniture, bedding, paper, trash, etc.
- 2 Use 2 persons to hold the appliance against the wall and determine the final location.
- 3 Place unit face down on a soft, non abrasive surface. Remove the bracket from the back of the unit by removing the screws, refer to A. Remove four pcs of silver screws at both sides, refer to B.



- 4 Take part 2 front glass off carefully, then take 2 packing foams out of fireplace.
- 5 Mark out location and then mount the bracket(s) onto the wall using the wall anchors and screws included or using local builder recommended hardware for the type of wall to safely secure and hold the weight of the fireplace. This bracket MUST have the hooks facing upward and level.



INSTALLATION

WALL MOUNTED INSTALLATION

NOTE: It is strongly recommended that the metal mounting bracket 3 be screwed into wall studs where possible. If wall studs cannot be used, ensure that the plastic anchors (included) or the local builder recommended hardware is used to install the bracket on the wall and the bracket is adequately secured.

6

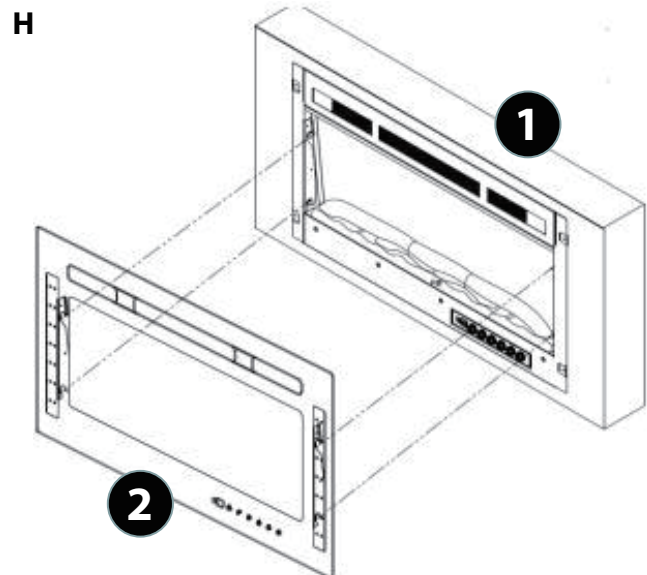
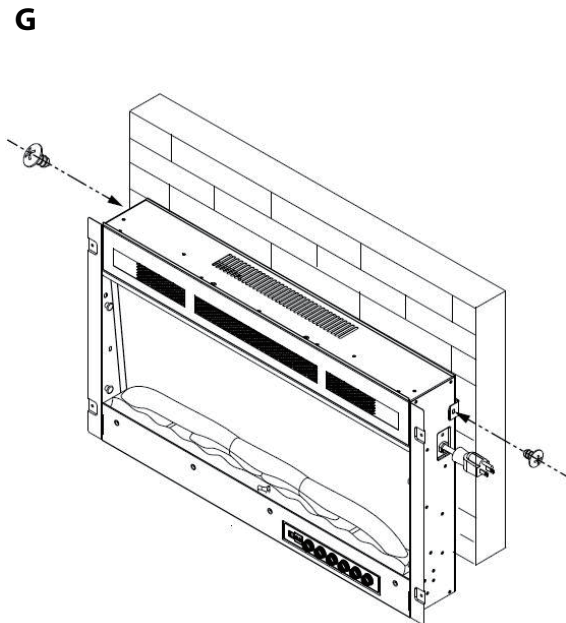
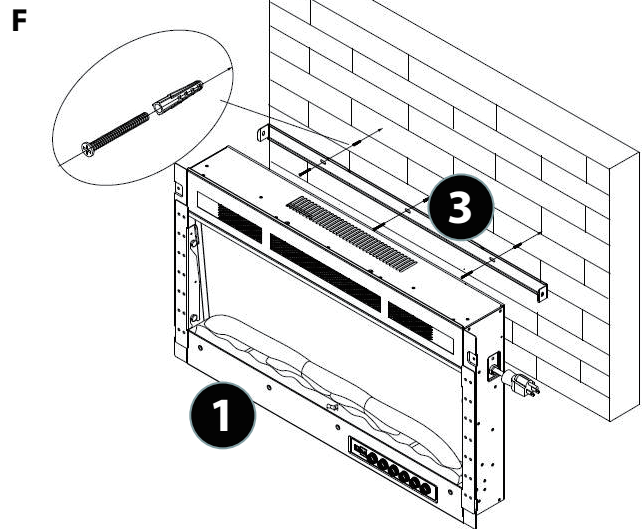
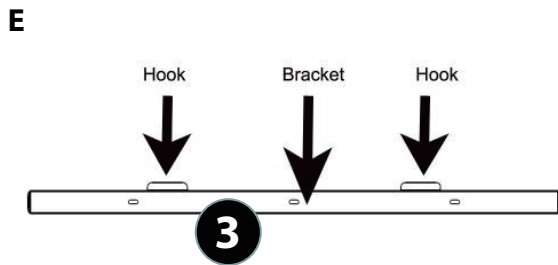
Fasten the metal bracket 4 at the bottom back of fireplace with 1 pc 4x8mm screw (included)
With the wall mounting bracket 3 installed, two persons lift the part 1 up and insert the two hooks on the bracket into the two slots on the back of the part 1. Figure F.

7

Check the part 1 for stability ensuring that the bracket will not pull free from the wall.

8

Place the part 2 lock the part 1. Figure H.



INSTALLATION

LOG SET / CRYSTAL EMBER INSTALLATION

NOTE: Please install the embers or log set which you bought or selected with this fireplace. Do not install after market logs or crystals. Ensure the unit is cool prior to servicing or removal of glass front panel.

-Glass front-part 2 must be removed and the appliance must be mounted in its final location before the log set / crystal / pebble embers are installed.

LOG SET -part 5

- remove the log set packing materials from the firebox. Fire logs can be placed in the bottom of firebox if not already preinstalled. Figure A

CRYSTALS-part 6

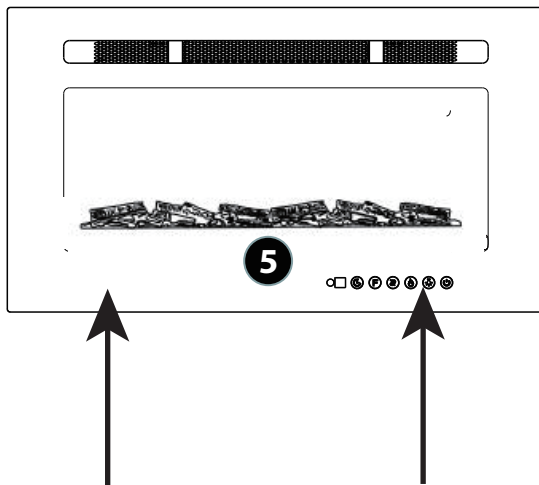
-carefully open the crystal pouch.

-crystals may have a fine oil residue that needs to be cleaned prior to installation. CLEAN THE CRYSTALS with mild dish soap / water bath. Drain, rinse thoroughly and dry before placing into the tray of firebox.

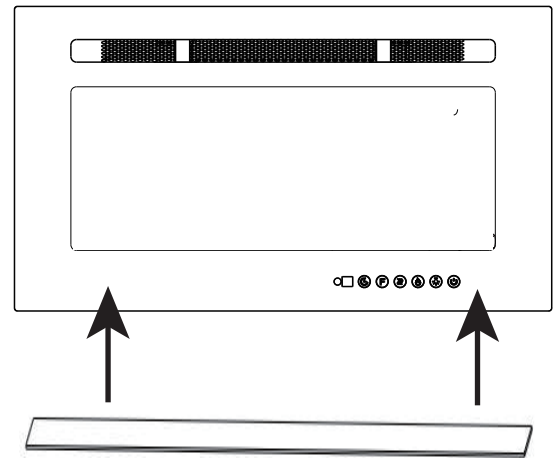
-Place the plastic tray into the firebox. Figure B

-Carefully place crystals into the bottom tray on the front of the appliance. Apply an even layer of crystals from side to side. Figure C

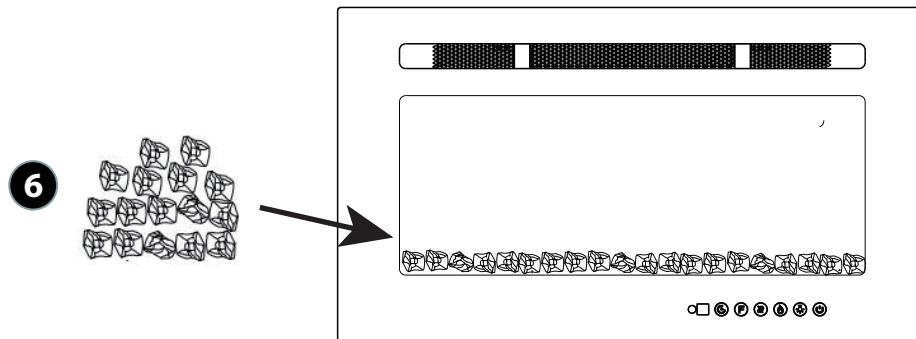
A



B



C



OPERATION



WARNING

Read and understand this entire owner's manual, including all safety information, before plugging in or using this product. Failure to do so could result in electric shock, fire, serious injury, or death.

POWER

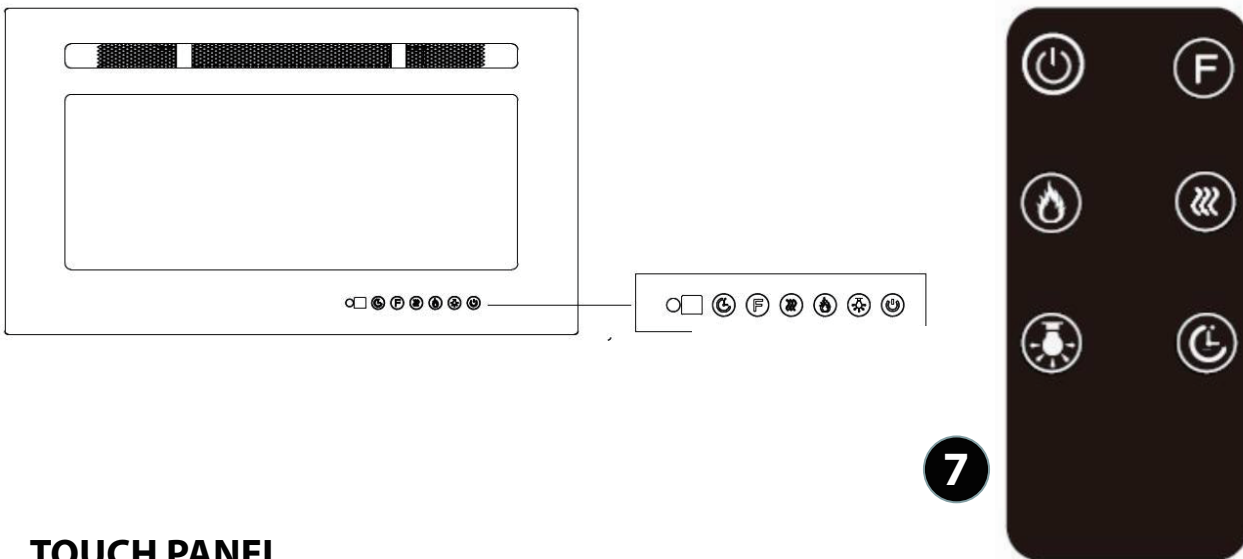
Plug the power cord into a 110-120V Volt 12 Amp grounded outlet (see IMPORTANT SAFETY INFORMATION on pages 2, & 3. Make sure the outlet is in good condition and that the plug is not loose. Never exceed the maximum amperage for the circuit. DO NOT plug other appliance into the same circuit.

METHODS OF OPERATION

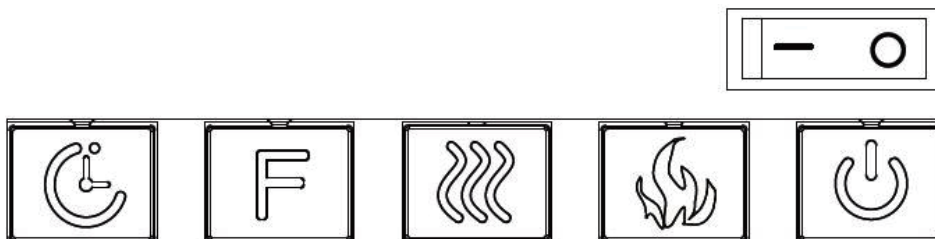
This electric fireplace can be operated by the TOUCH PANEL, located on the BOTTOM right side glass panel of the fireplace, or by the battery-operated REMOTE CONTROL. The operation and functions of the two methods are the same.

Before operating, please review the IMPORTANT SAFETY INFORMATION on pages 2 and 3, and follow all warnings.







REMOTE CONTROL



TOUCH PANEL



TOUCH PANEL & REMOTE CONTROLS

BUTTON	FUNCTION	ACTION & INDICATION
 POWER	ON: Enables control panel functions and remote control. Powers on flame effect. OFF: Disables control panel functions and remote control. Powers off flame effect.	ON - Press once. Indicator light turns on. Power turns on. All functions enabled. OFF - Press once. All functions end.
 COLOR	COLOR: Change flame to 9 different colors	Press to cycle through multiple color effects
 FLAME	FLAME: control the brightness intensity of the flame NOTE: Flame effect stays on until power button is pressed to power off. Flame effect must also be on in order to use heater.	Press once to decrease intensity. Press again to dim to desired brightness.
 HEATER	HEATER: Powers heater on / off NOTE: To prevent overheating, the heater fan will blow cool air for 30 seconds after the heater button used for for heater off	Press once. Indicator lights up, 750W heater powers on and blows warm air. Press again. Indicator lights up, 1500W heater powers on and blows hot air. Press again. Heaters power off. Fan blows cool air for 30 seconds to cool down before power off.
 TEMP.	TEMPERATURE: Select temperature settings to control optimal temperature range from 62 to 82 degrees (F).	Press once. Indicator lights up, Temperature is set to 62 degrees (F). Press until desired temperature is reached. LED displays temp setting (62-82F).
 TIMER	TIMER: Select time range from 1 to 8 hours for automated shutoff of the fireplace.	Press once. Indicator lights up, Timer is set to 1 hour. Press again until desired shutoff time is set. LED displays timer setting (1-8) hours.

NOTICE

When the heater is first powered on, a slight odor may be present. This is normal and should not occur again unless the heater is not used for a lengthy period of time.

NOTICE

To improve operation, aim the remote control at the front of the fireplace. DO NOT press the buttons too quickly. Remember to give the unit time to respond to each button press.

TEMPERATURE LIMITING CONTROL

This heater is equipped with a Temperature Limiting Control. Should the heater reach an unsafe temperature the heater will automatically shut OFF.

To Reset after auto shutoff due to overheat:

1. Unplug the power cord from power outlet
2. Press the ON/OFF switch on the CONTROL PANEL to OFF. Wait 5 minutes.
3. Inspect the fireplace to make sure no vents are blocked, or clogged with dust or lint. If the unit is blocked or clogged, use a vacuum with hose and crevice tool to clean the vent areas.
4. With the POWER switch in the OFF position, plug the power cord back into the outlet
5. If the problem continues, have your outlet and wiring inspected by a professional.

REMOTE CONTROL BATTERY REPLACEMENT

Remote control requires two (2) AAA batteries.

APP | CARE & MAINTENANCE

CONNECT WIFI

Download App

You can download the App by searching “Tuya Smart” in mobile app stores

Keep the appliance Master power switch



 turned on

Kindly check our user manual to learn how to connect the Tuya Smart App



NEVER dispose of batteries in fire. Failure to observe this precaution may result in an explosion. Dispose of batteries at your local hazardous material processing center.

CARE AND MAINTENANCE

Cleaning



ALWAYS turn the heater **OFF** and **unplug the power cord from the outlet** before cleaning, performing maintenance, or moving this fireplace. Failure to do so could result in **electric shock, fire, or personal injury**.



NEVER immerse in water or spray with water. Doing so could result in **electric shock, fire, or personal injury**.

Metal:

- Buff using a soft cloth, slightly dampened with a citrus oil-based product.
- **DO NOT** use brass polish or household cleaners as these products will damage the metal trim.

Glass:

- Use a good quality glass cleaner and dry thoroughly with a paper towel or lint-free cloth.
- **NEVER** use abrasive cleansers, liquid sprays, or any cleaner that could scratch the surface.

Vents:

- Use a vacuum or duster to remove dust and dirt from the heater and vent areas.
- Clean the exterior of the fireplace with a slightly damp cloth or duster.

Maintenance

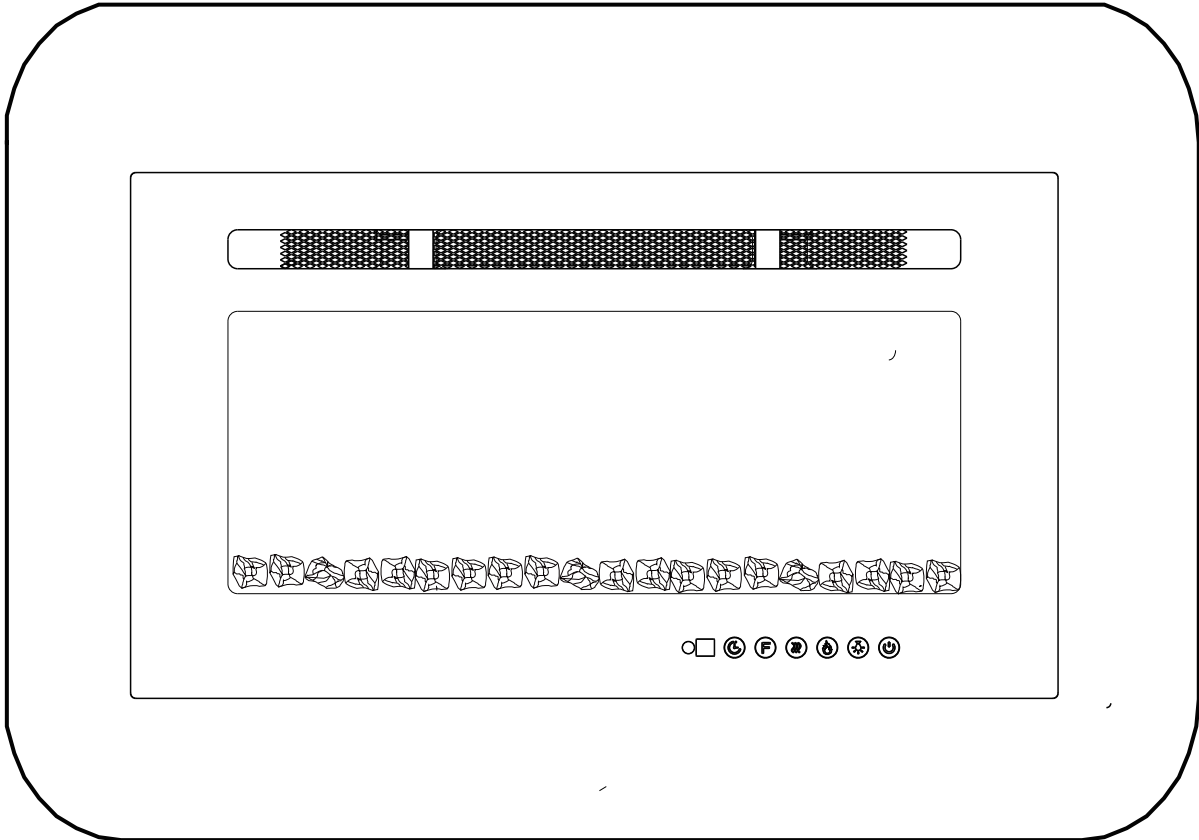


Risk of electric shock! DO NOT OPEN! No user-serviceable parts inside!



ALWAYS turn the heater **OFF** and **unplug the power cord from the outlet** before cleaning, performing maintenance, or moving this fireplace. Failure to do so could result in **electric shock, fire, or personal injury**.

ASSEMBLY COMPLETE



CONGRATULATIONS, YOUR ELECTRIC FIREPLACE IS COMPLETE!

Product Packaging Information

Model #: _____

Color: _____

Shipment Ref. #: _____

Date: _____