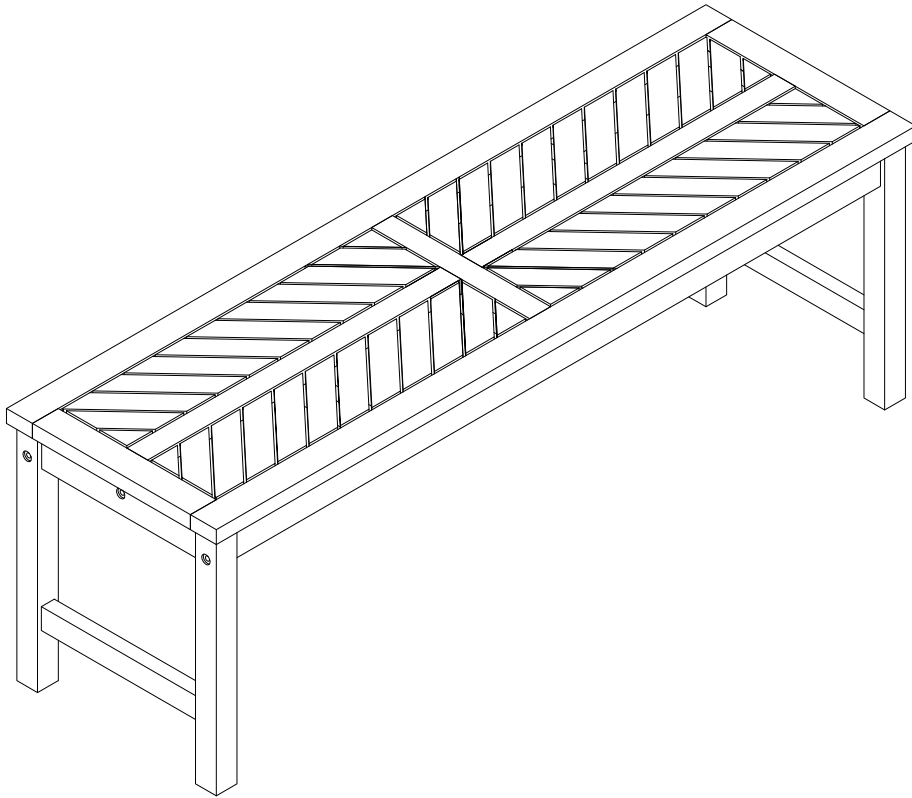


Assembly Instructions



General Assembly Guidelines

Acacia Wood Care and Maintenance:

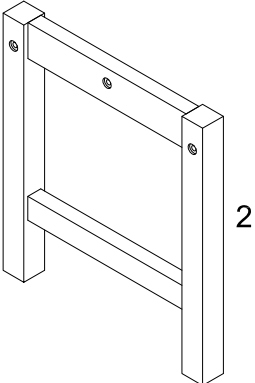
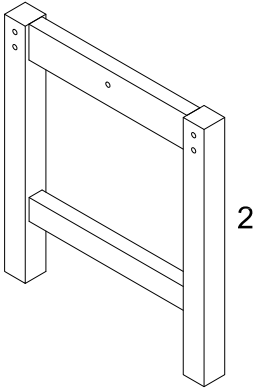
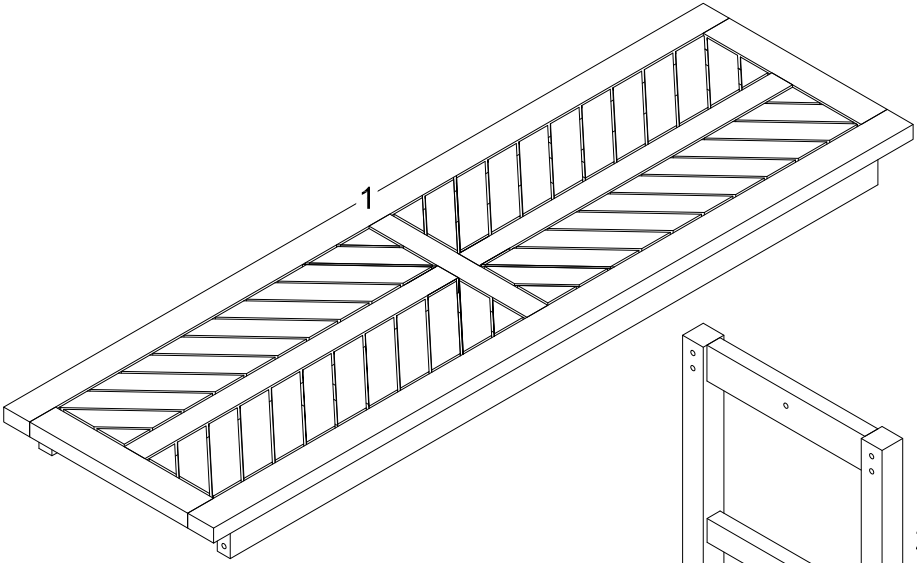
Like any natural wood, acacia wood will maintain its attractive appearance for much longer when given proper care.

- I. To extend the life of your outdoor furniture, avoid placing acacia wood furniture in direct sunlight for an extended period of time, as the sun's ultraviolet rays can cause the wood to dry out. Position acacia patio furniture underneath an umbrella or canopy to minimize damage due to sun and rain. It is ideal to keep it covered when not in use, during in-climate weather, or while in storage.




- II. Cleaning - Clean spills from acacia wood furniture with a soft cloth moistened with warm, soapy water. Dry the furniture with a second soft cloth or allow it to air-dry.

- III. Maintenance- Rub the acacia wood furniture with a furniture wax or wood preservative product (we recommend Teak Wood Oil products). Apply the teak oil according to the instructions found on the product label. Apply additional applications, as needed, to restore the vitality of the wood.

Parts List

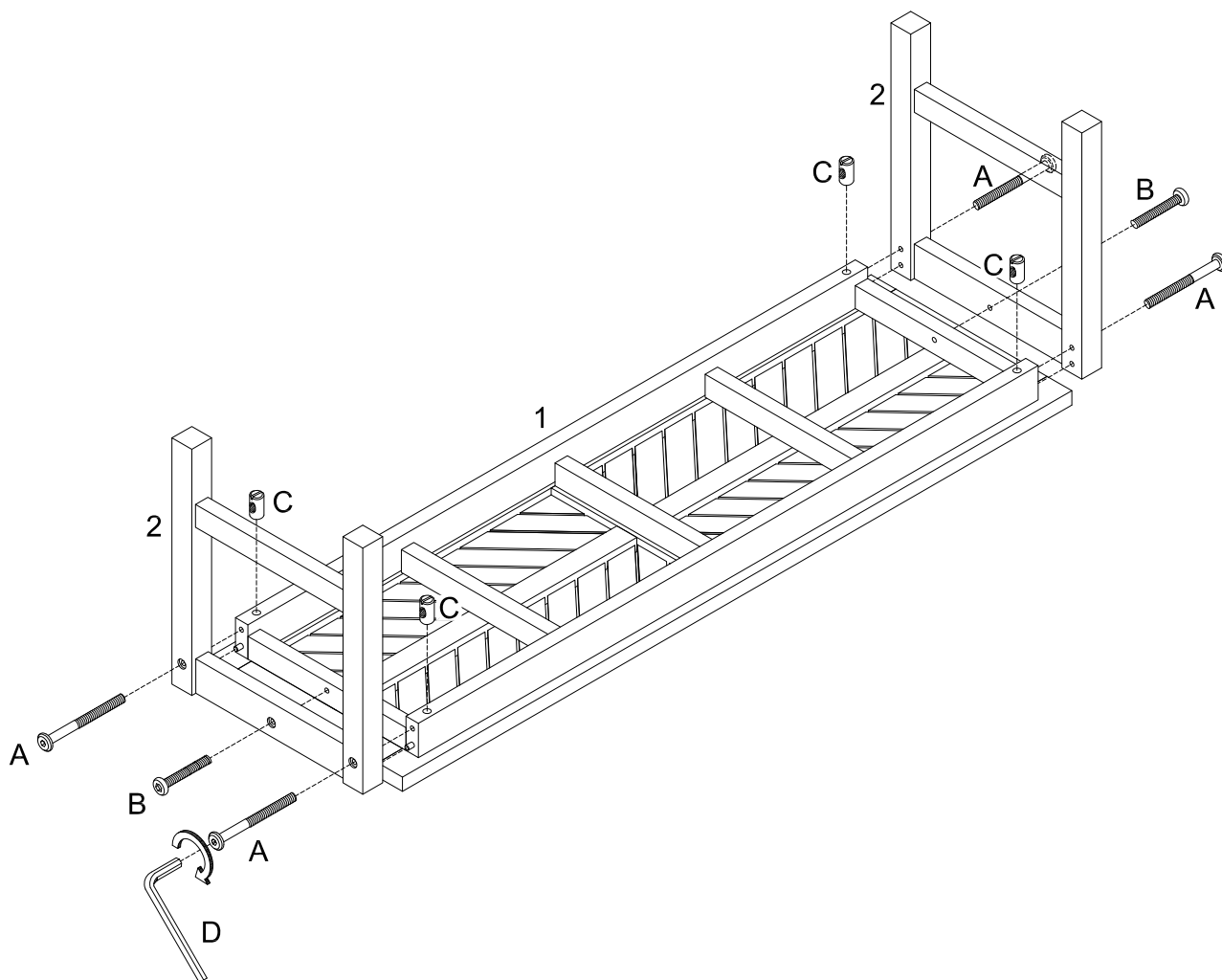


Hardware List

A		Ø8x80mm	Bolt	4 pcs
B		Ø8x55mm	Bolt	2 pcs
C		Ø11x15mm	Nut	4 pcs
D		4mm	Hex Key	1 pc

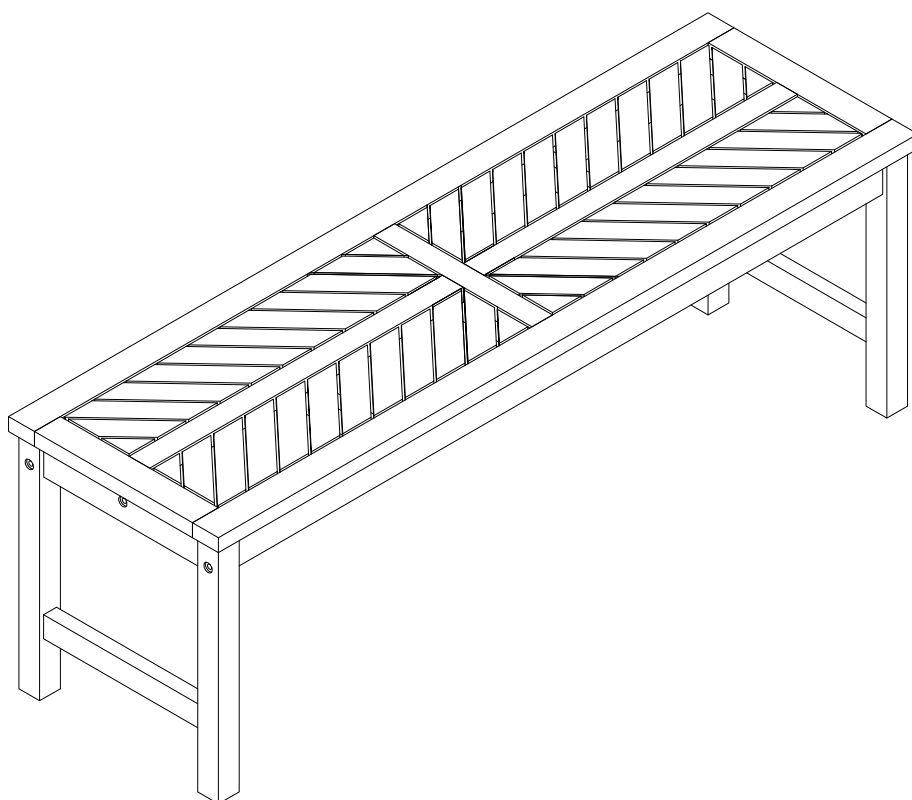
*The hardware quantities listed above are required for proper assembly.
Some extra hardware may also have been included.*

Step 1



Attach part (1) to part (2) using bolt (A, B) and nut (C) with hex key (D) as per daigram.

Step 2



Final Assembly