

# TVT8064

## METAL STUD TILT TV MOUNT

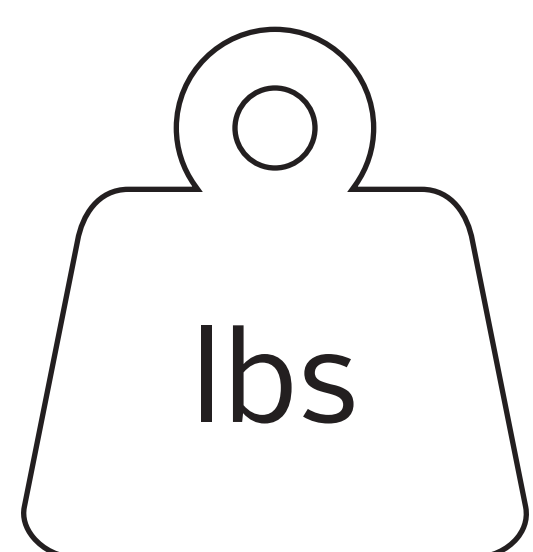
The TV8064 is a premium TV mount engineered for a seamless and secure viewing experience. With a tilt metal stud mount, installation is a breeze, complemented by an ultra-low profile that maintains a clean and modern look. This mount is designed to accommodate a wide range of TVs, fitting screen sizes from 37" to 80". Its robust construction allows it to support TVs weighing up to 132lbs (60kg), ensuring stability and durability.

To add a touch of sophistication to your entertainment setup, the mount comes in an elegant black finish. With its combination of style, strength, and adaptability, the TV8064 stands out as an excellent choice for those seeking a reliable and aesthetically pleasing TV mounting solution.

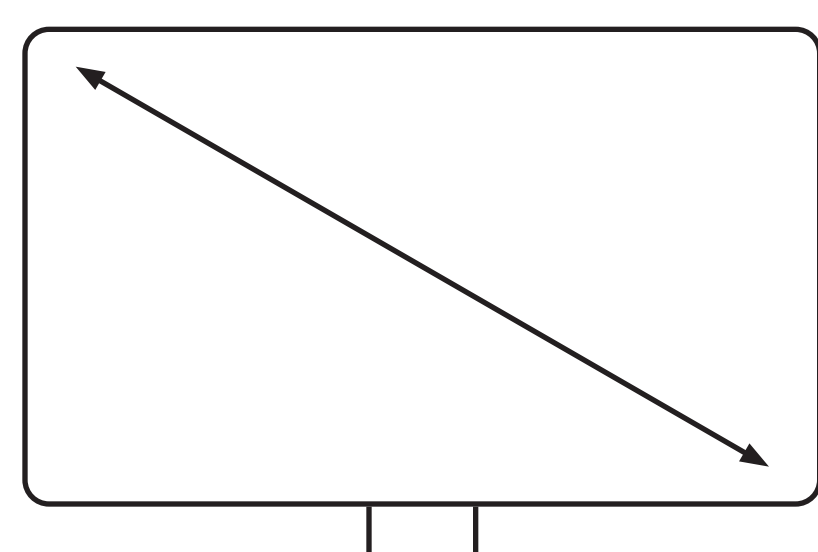


### FEATURES & SPECIFICATIONS:

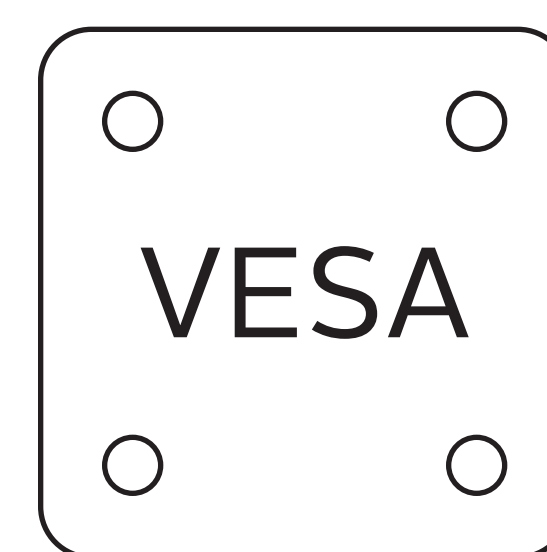
- Fixed Wall Plate & Detachable Panel
- Heavy-Duty Cold Rolled Steel
- Compatible with Any Type of Wall
- All Necessary Hardware Included
- Integrated Bubble Level
- Easy-Grip Knobs
- Fit Curved TV: Yes
- Fit Screen Size: 37" - 80"
- Weight Capacity: 132lbs (60kg)
- Profile: 2.4" from Wall
- Tilt Range: +10° ~ -10°
- VESA Compatible: 200x200, 300x300, 400x200, 400x400, 600x400mm



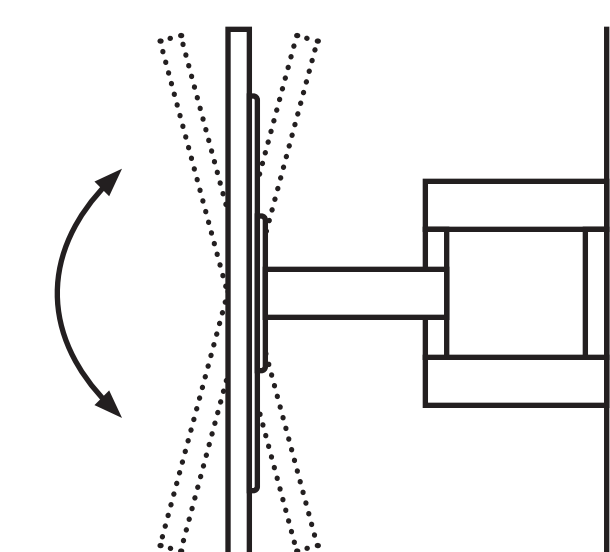
**Weight Capacity:**  
Up to 132lbs / 60kg



**TV Diagonal:**  
37" to 80"



**VESA Supported:**  
200x200 to 600x400



**Tilting Angles:**  
+10° to -10°

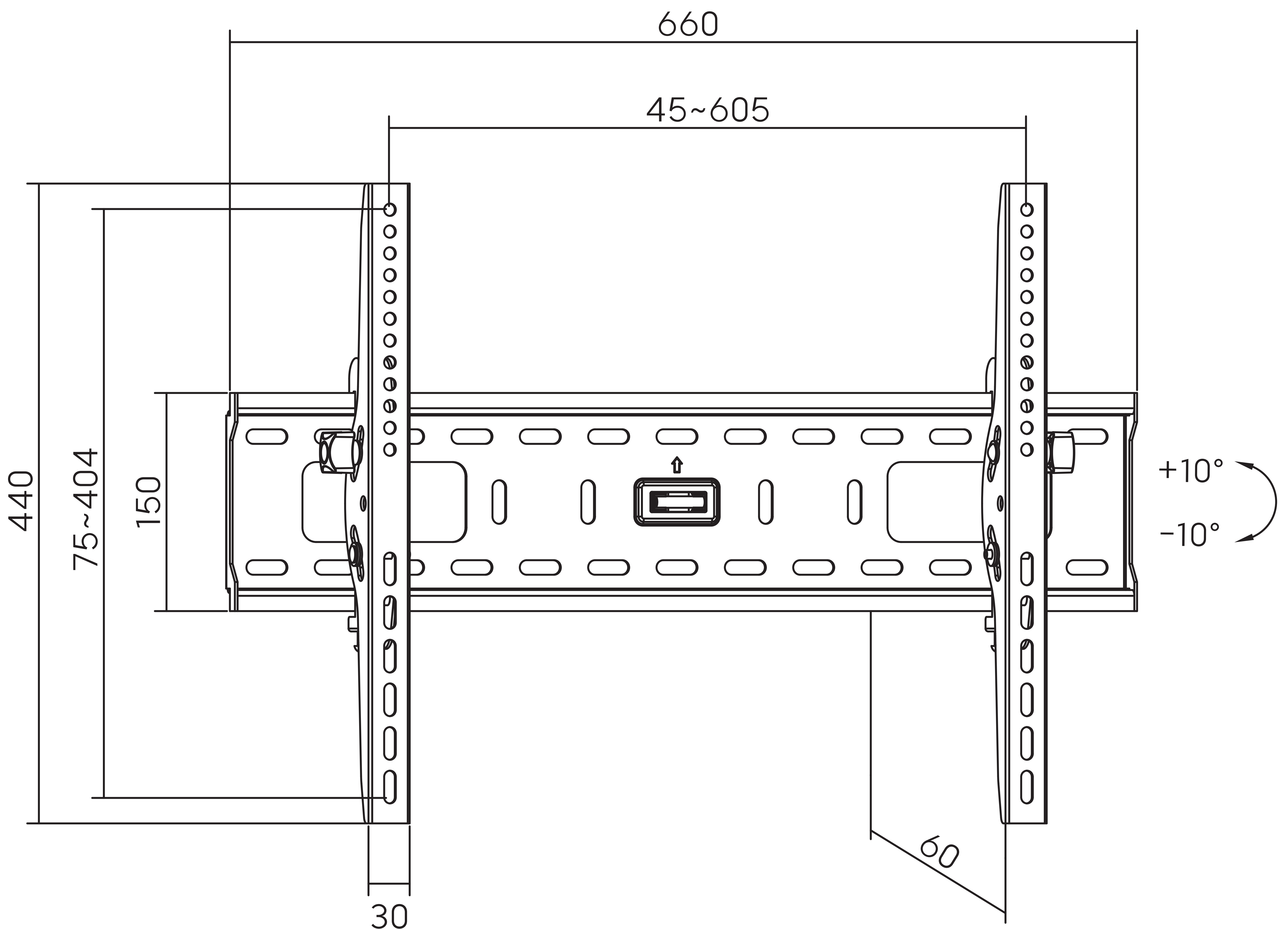
## PRODUCT SPECIFICATIONS:

Dimensions (WxHxD)	Product Weight	Load Capacity	Surface Finish	Color
25.98" x 17.32" x 2.36" (660 x 440 x 60mm)	7.30lbs (3.31kg)	132lbs (60kg)	Powder Coating	Matte Black

## PACKAGE SPECIFICATIONS:

Package Size (WxHxD)	Package Weight	Package Contents	Barcode
27.17" x 6.22" x 2.76" (690 x 158 x 70mm)	7.52lbs (3.41kg)	Tilt TV Mount; Elephant Anchors (x4); All Required Hardware; Manual	9145329308619

## TECHNICAL ILLUSTRATIONS (mm):



Waiting to answer any of your questions.  
support@condomounts.com

**CONDOMOUNTS**

Mount Your TV Anywhere

United States (646) 933-5403  
Canada (647) 557-5699

CONDOMOUNTS typeface logo symbol are registered trademarks of CondoMounts Inc.