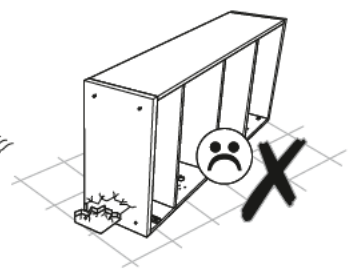
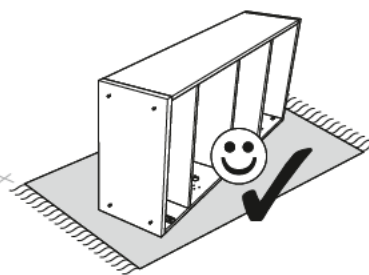
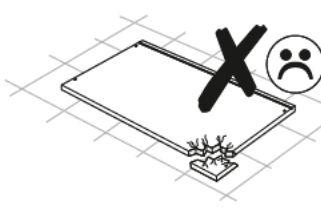
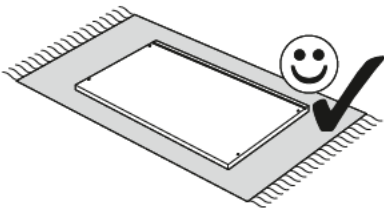
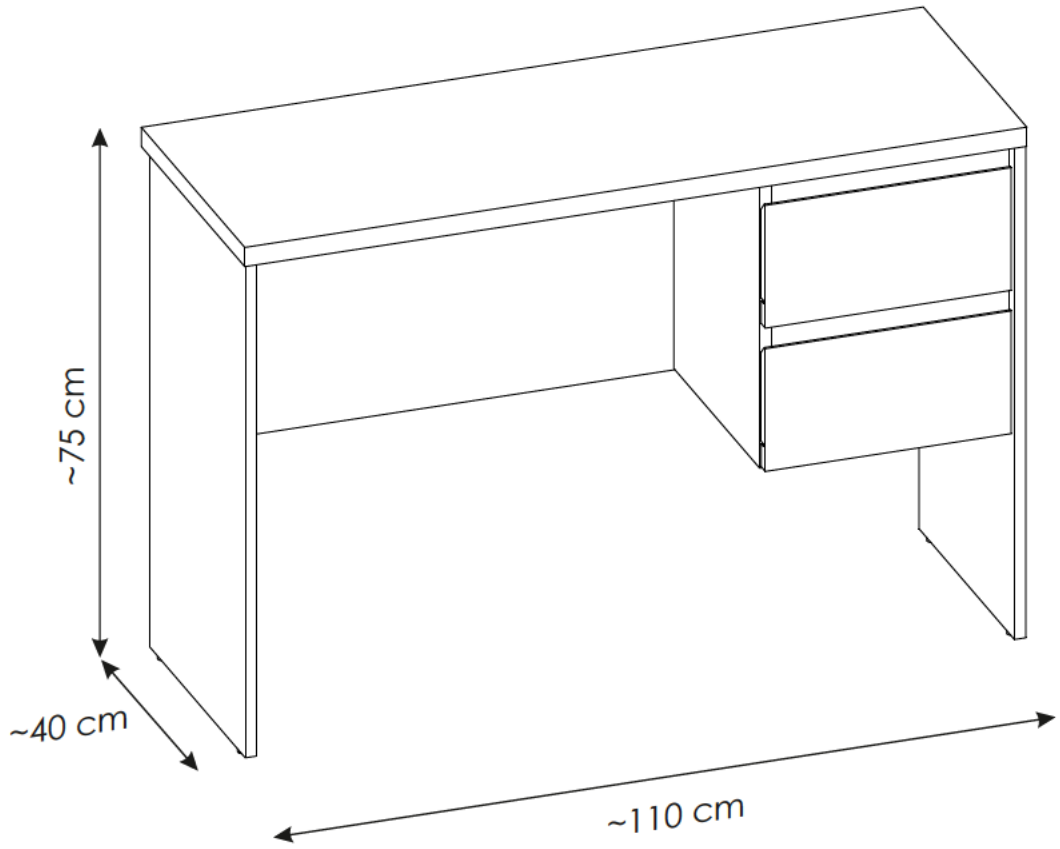
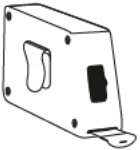
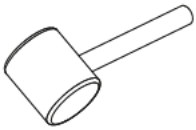
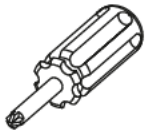
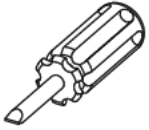
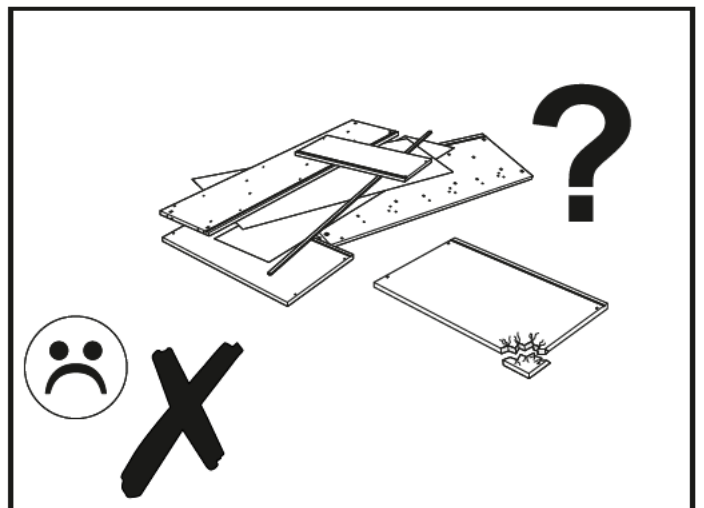
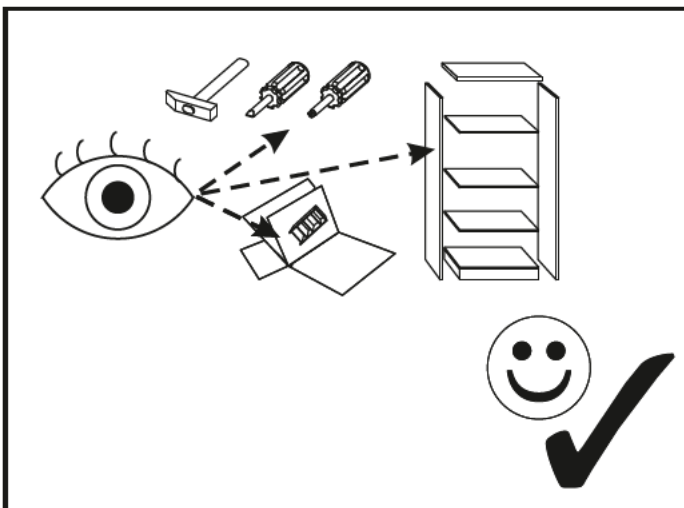
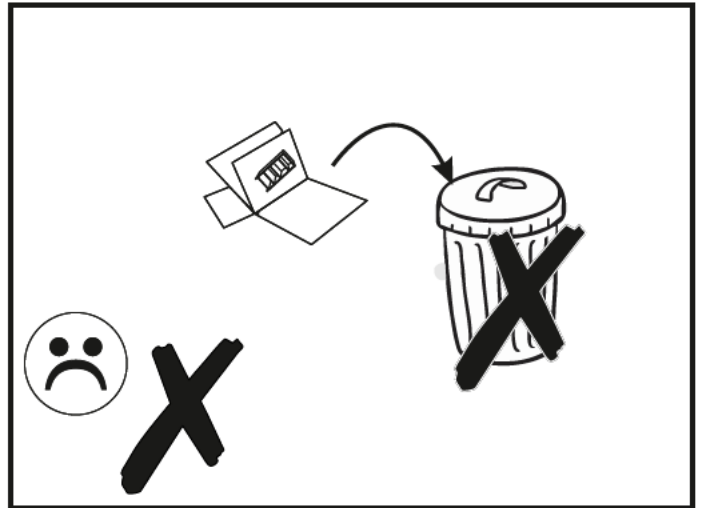
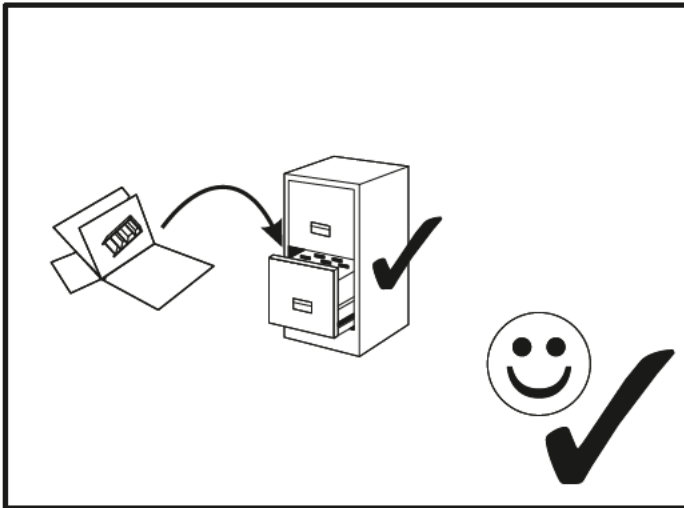
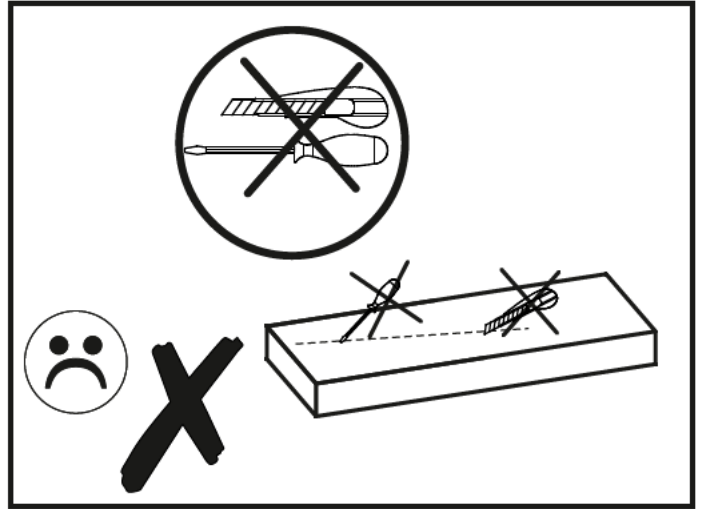
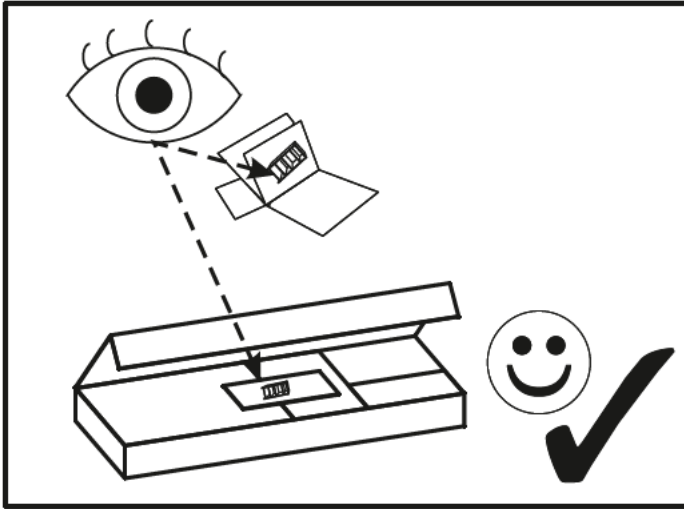






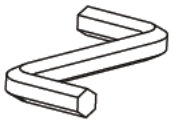








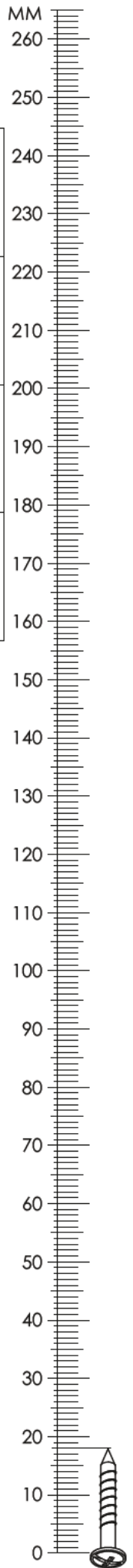


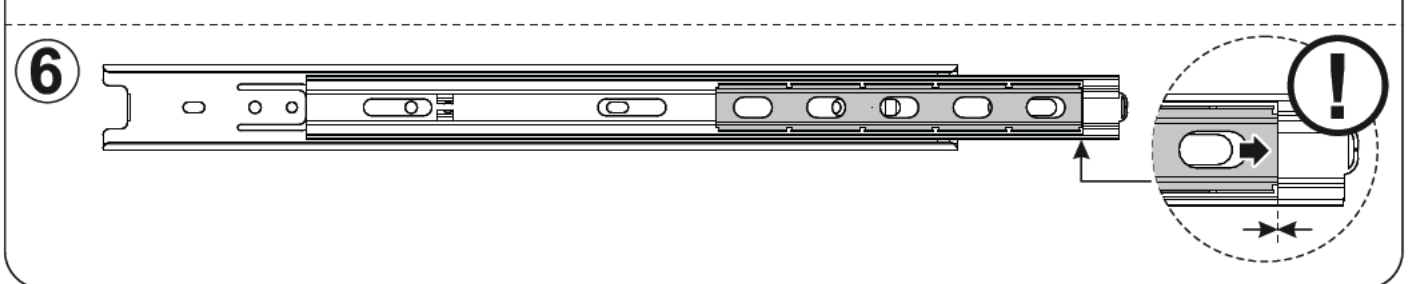
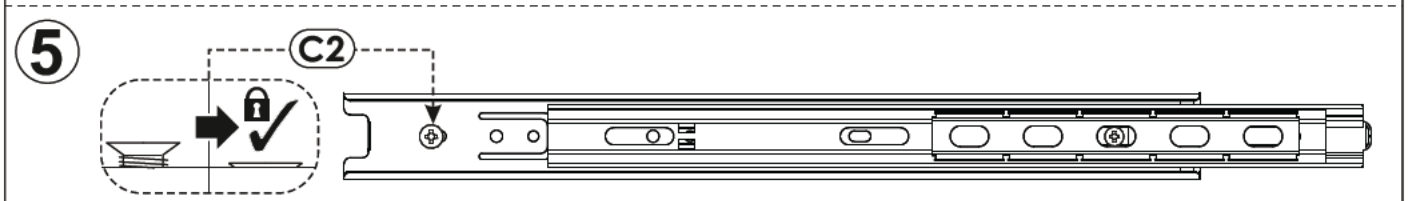
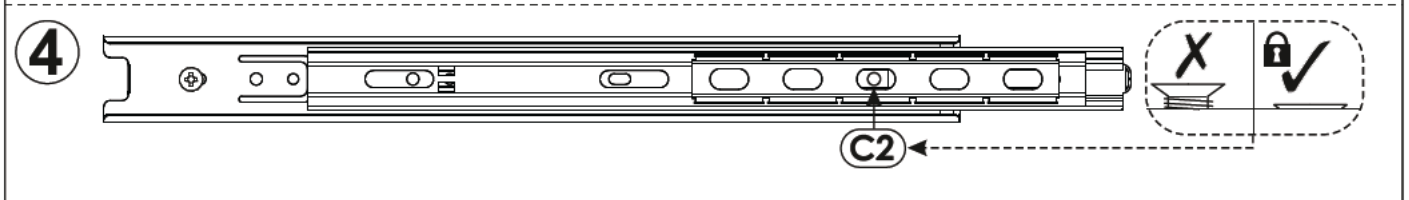
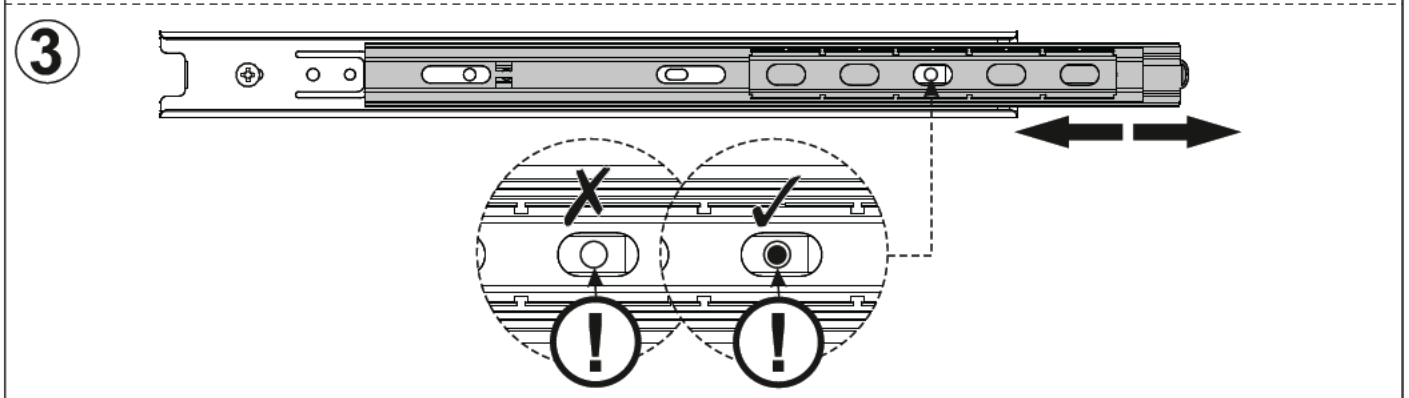
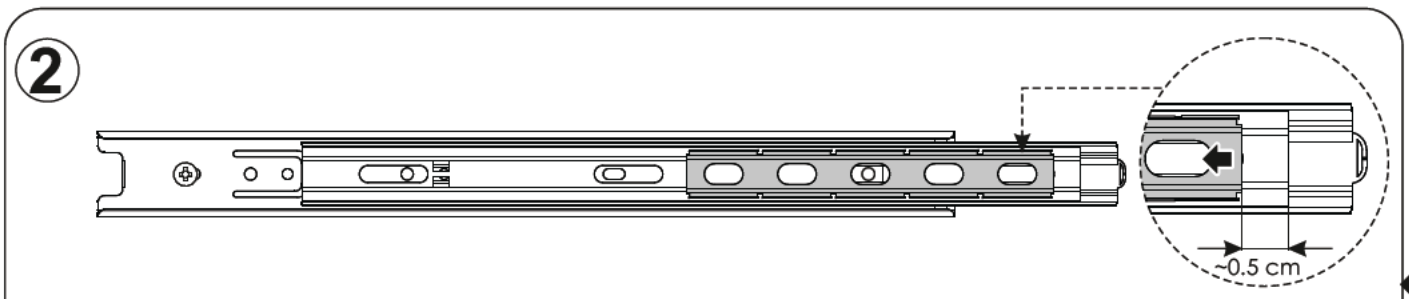
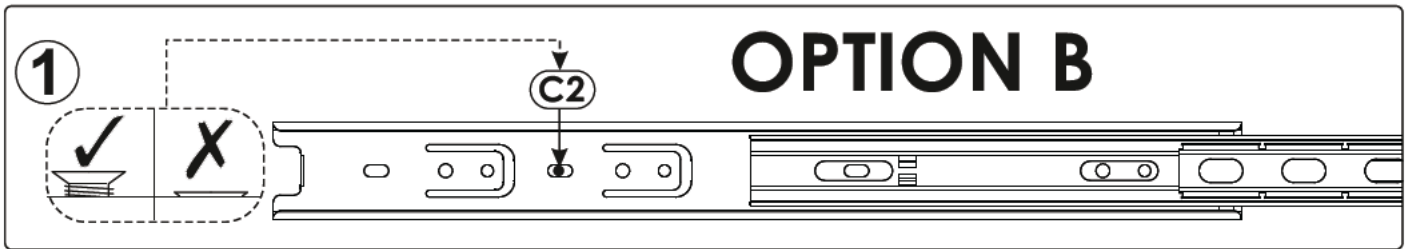
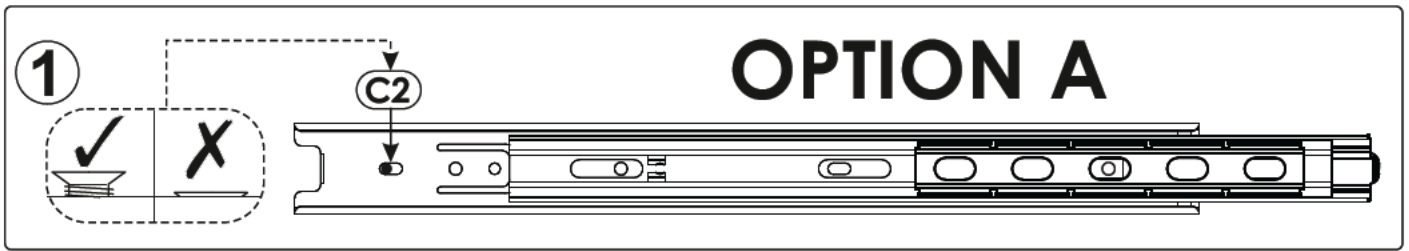
80 min



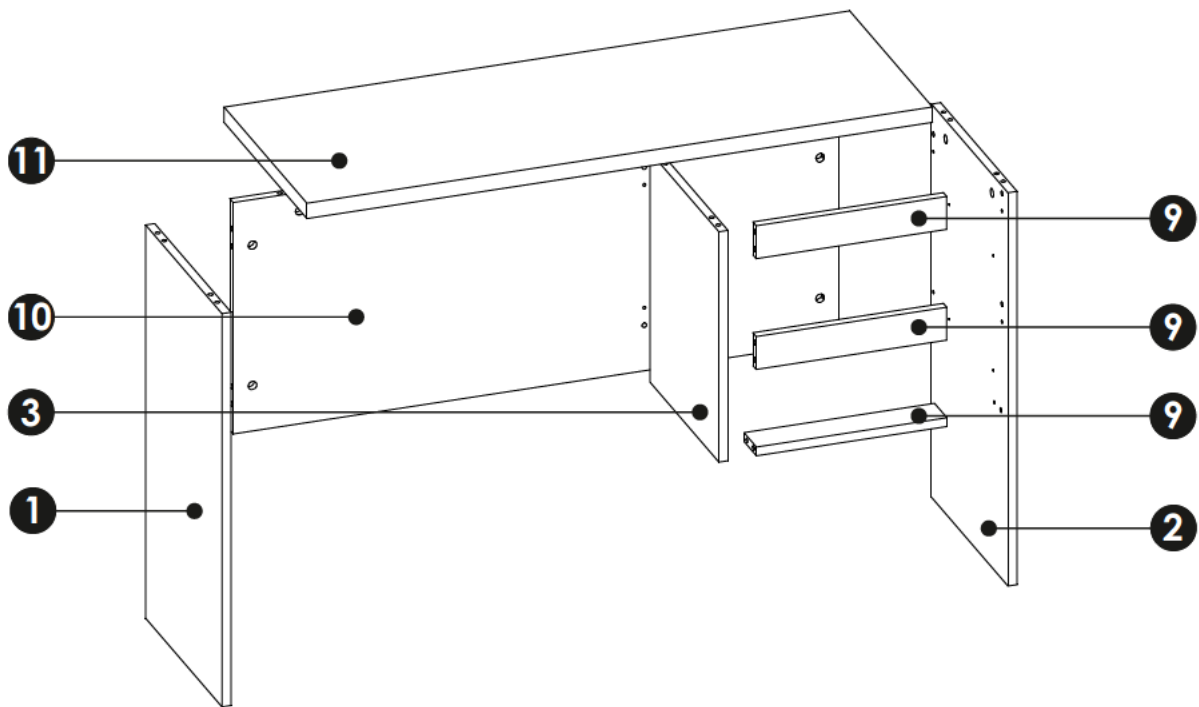
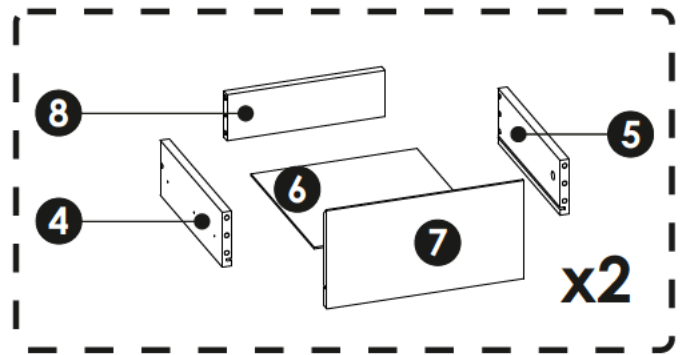
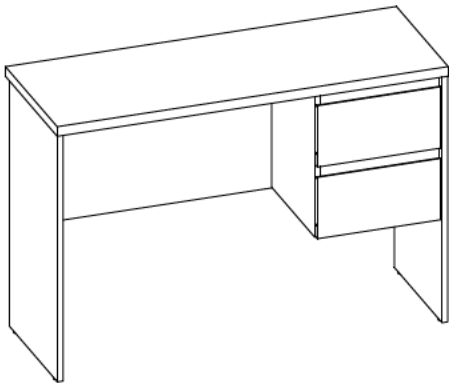


A1 8 x 35 mm x37 	C2 5 x 13 mm x8 	E0 Ø16 x10 
E1 15 x 12 mm x25 	F1 6 x 34 mm x25 	G1 7 x 50 mm x4 
M x1 	N1 3 X 16 mm x10 	N2 3,5 X 16mm x12 
O2 x4 	PW x4 	R4 x2 
R8 x4 		



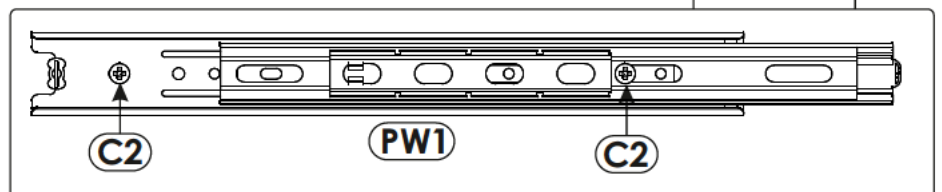
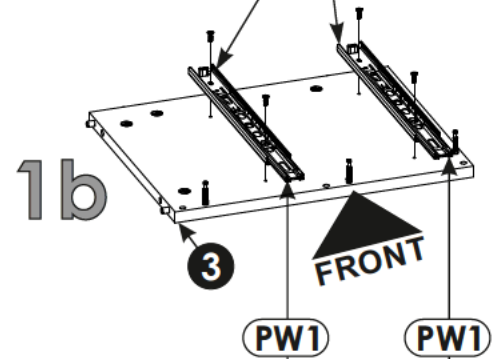
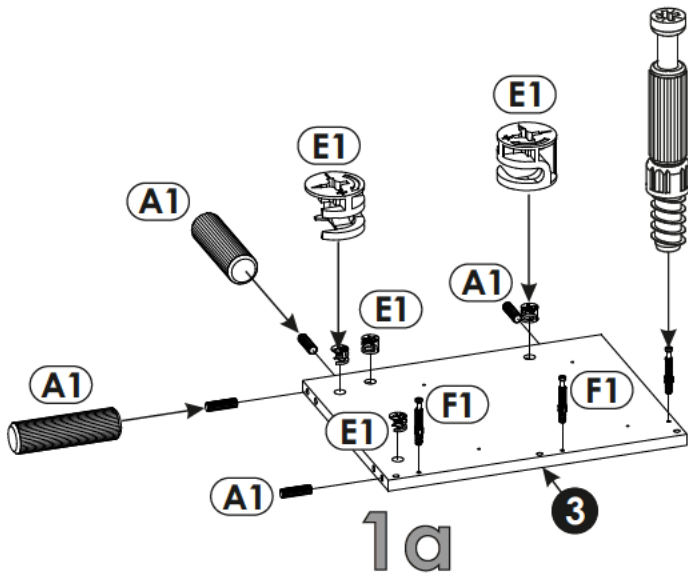
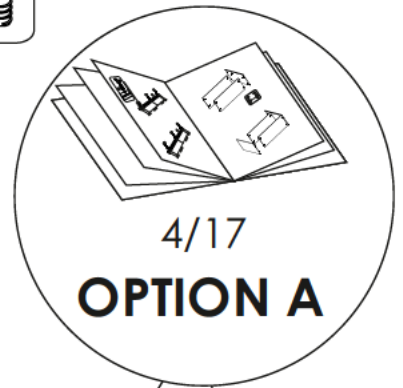
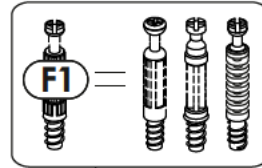
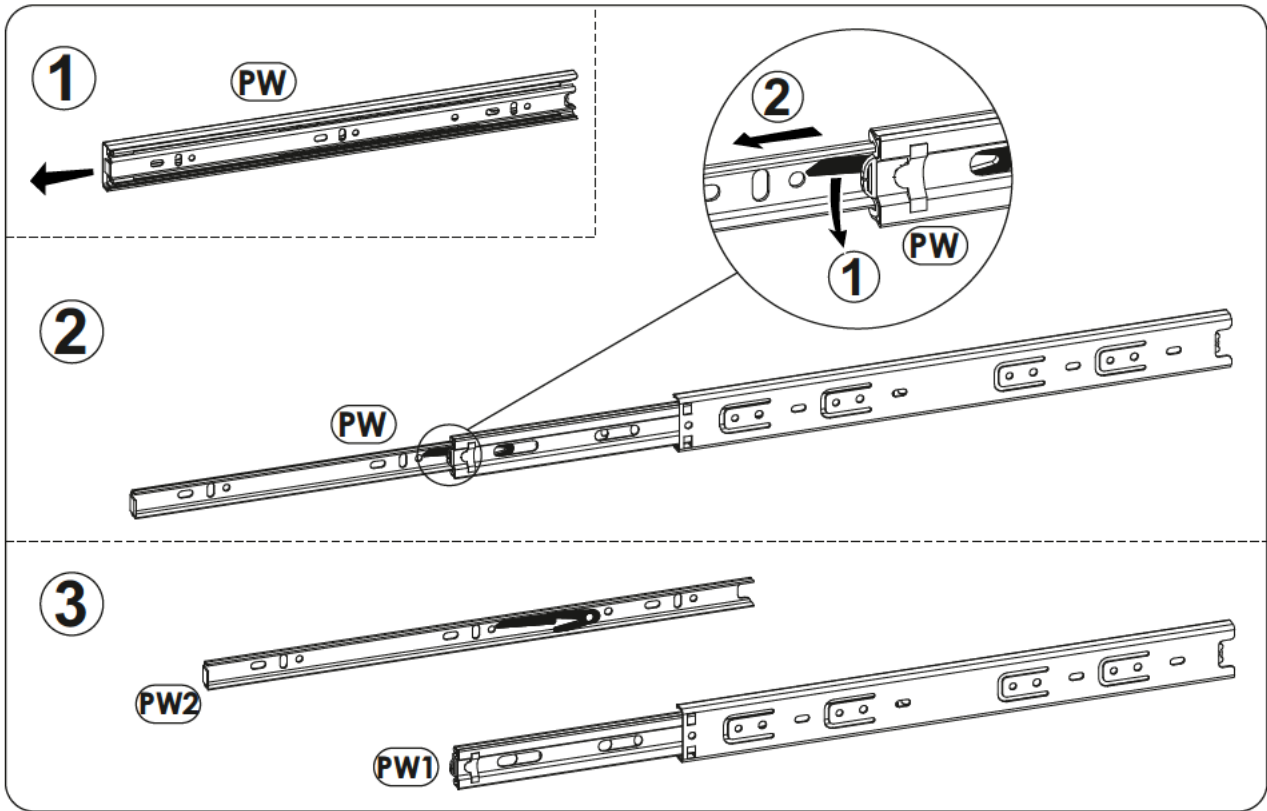


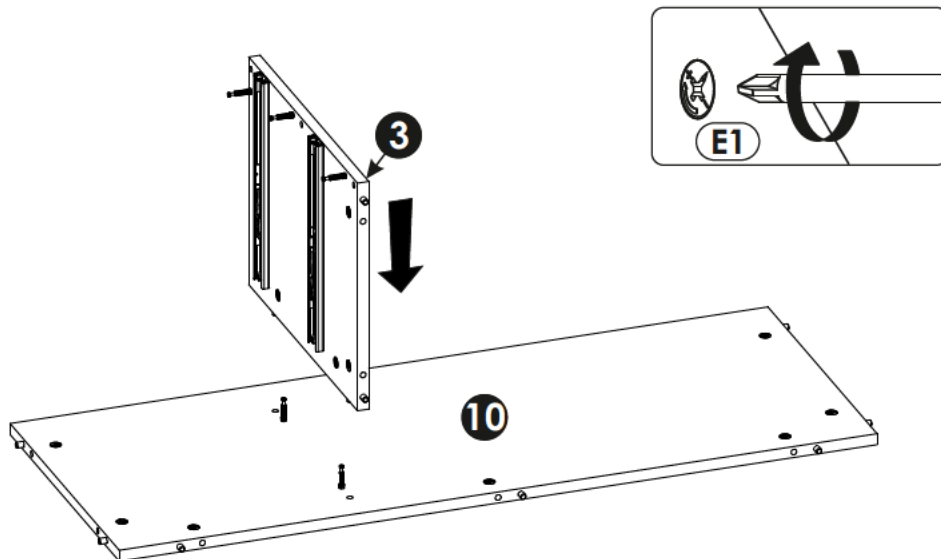
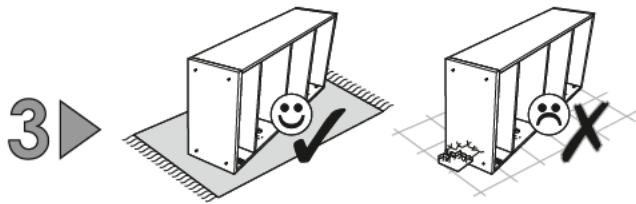
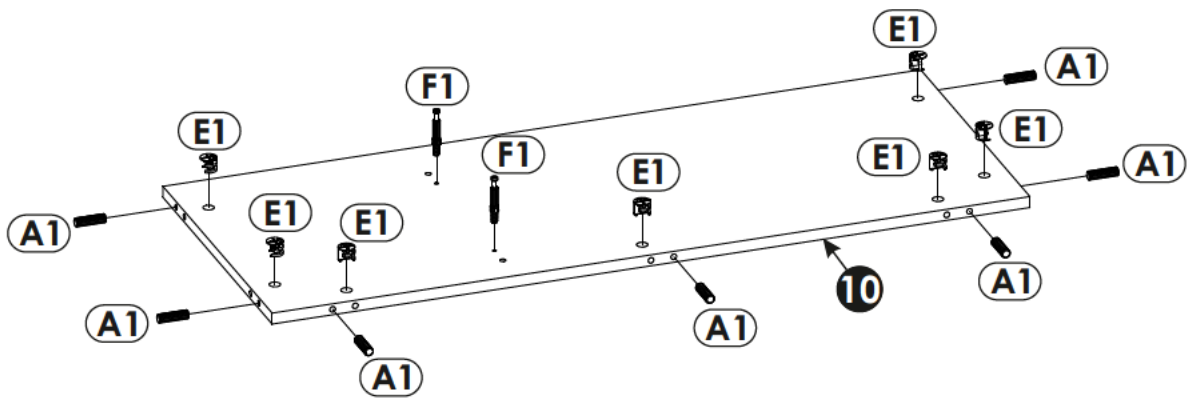
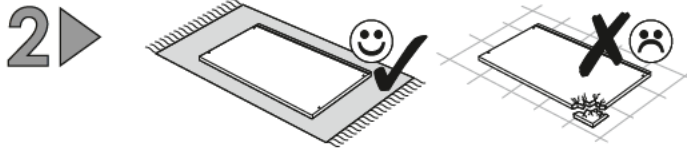
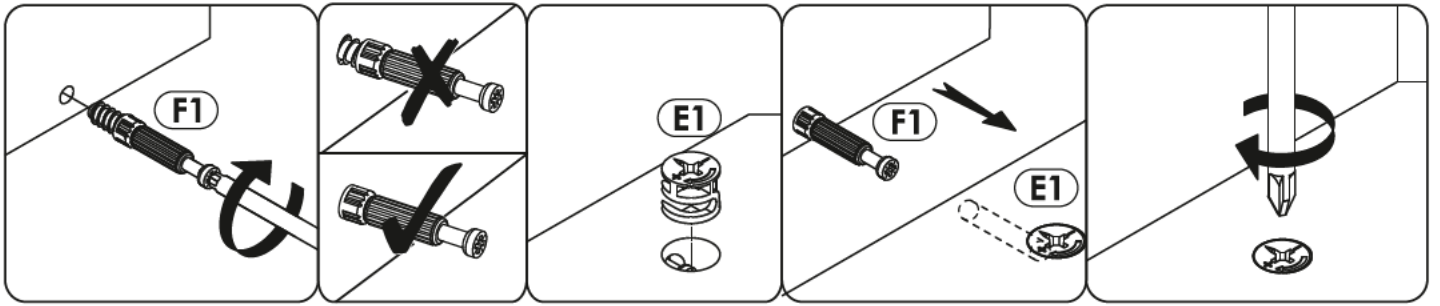
FRONT



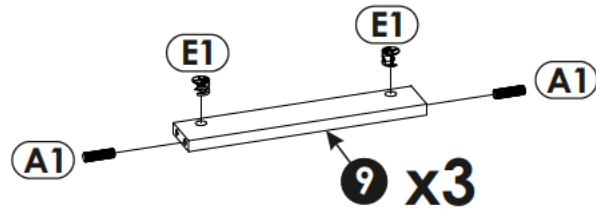
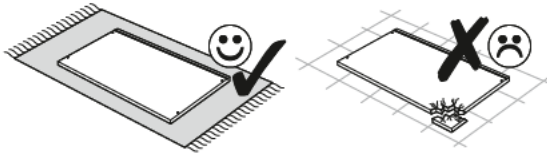
1	717	369	16	x1	1/1
2	717	369	16	x1	1/1
3	420	332	16	x1	1/1
4	300	100	16	x2	1/1
5	300	100	16	x2	1/1
6	292	305	3	x2	1/1

7	346	179	16	x2	1/1
8	278	84	16	x2	1/1
9	335	60	16	x3	1/1
10	1066	422	16	x1	1/1
11	1100	400	28	x1	1/1

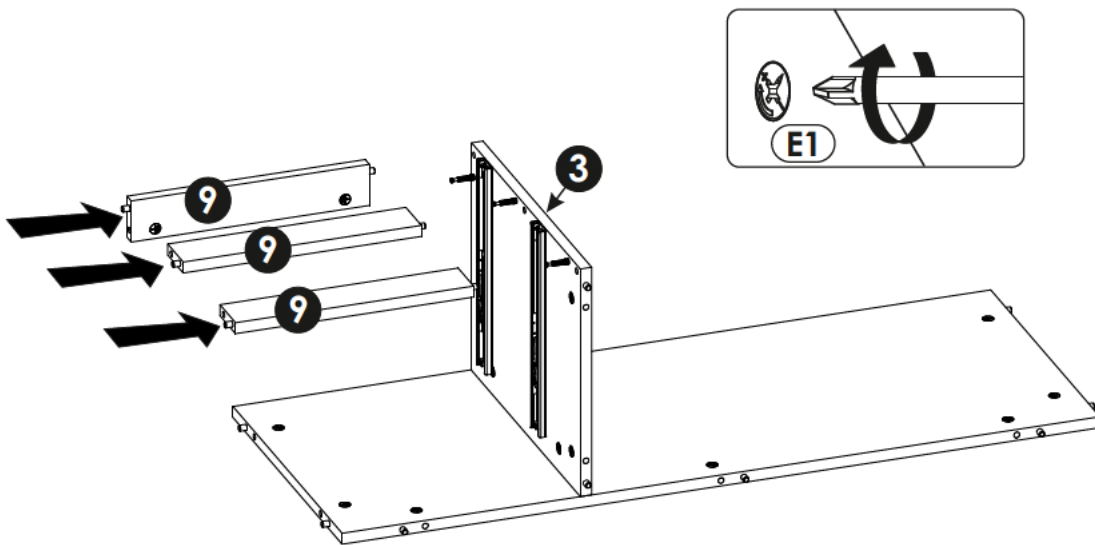
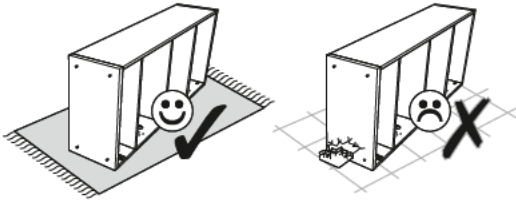


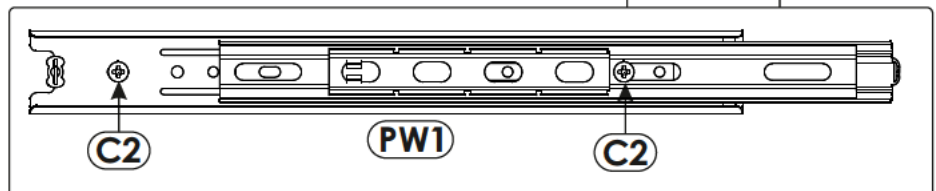
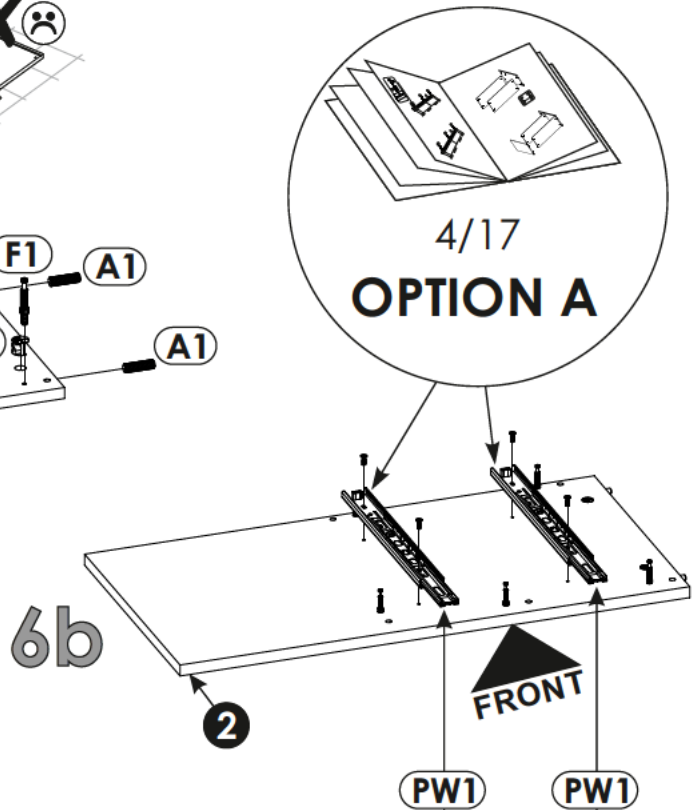
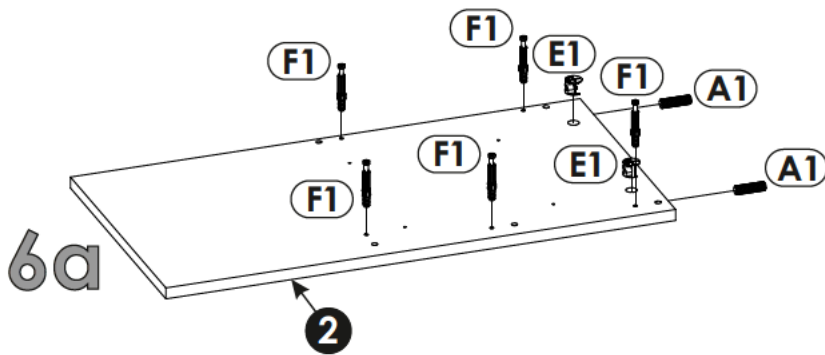
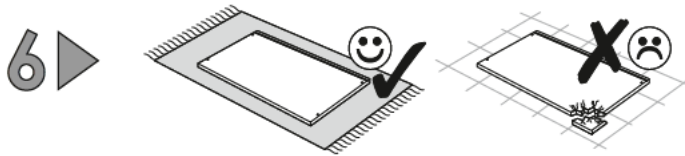
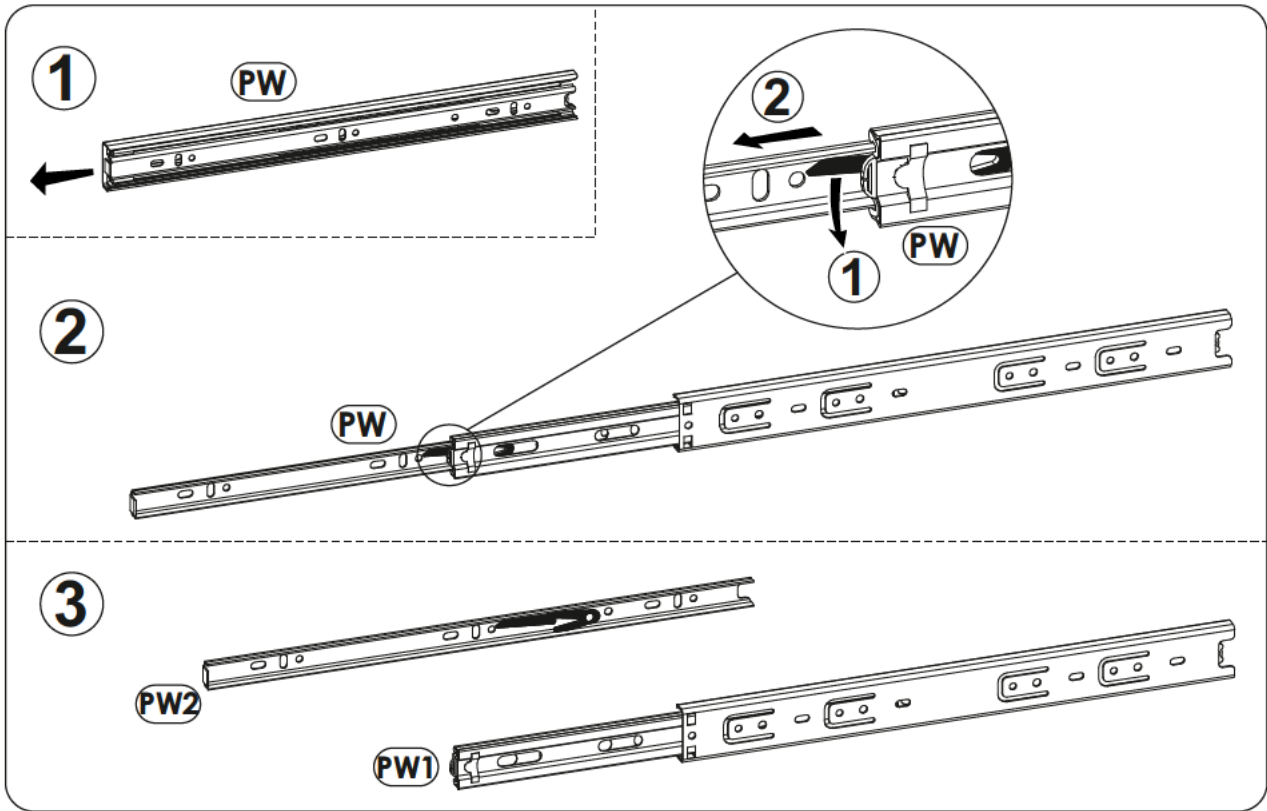


4 ▶

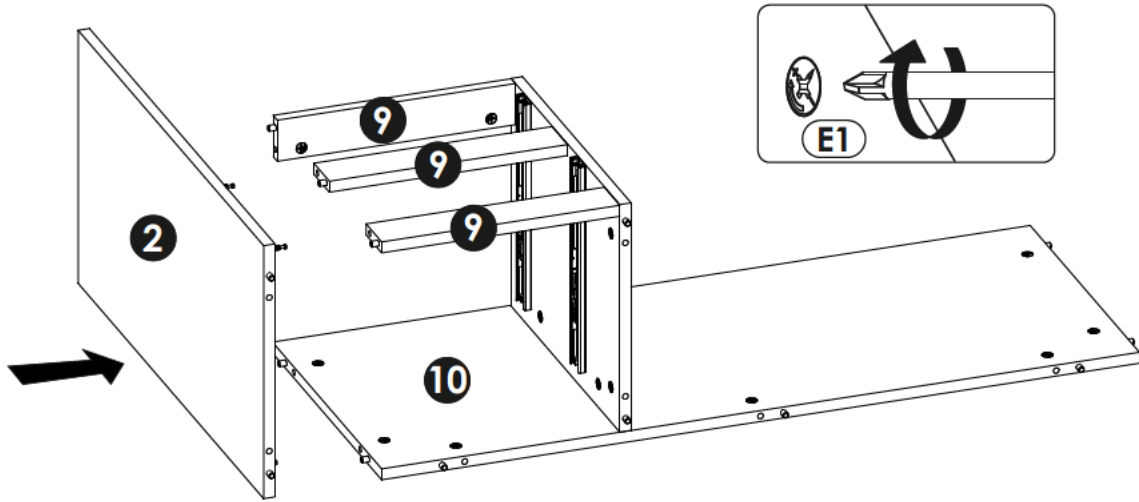
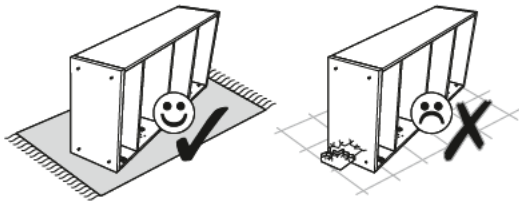


5 ▶

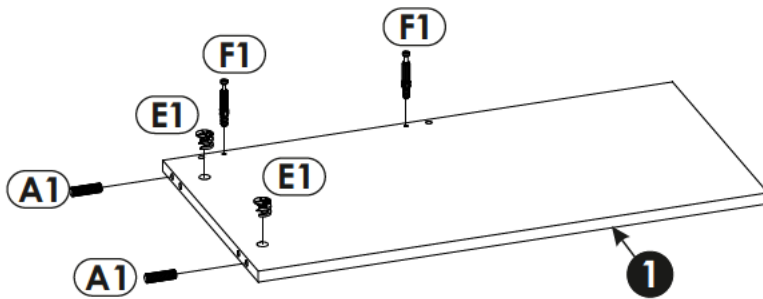
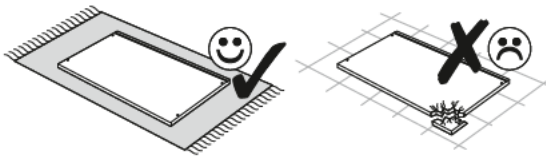




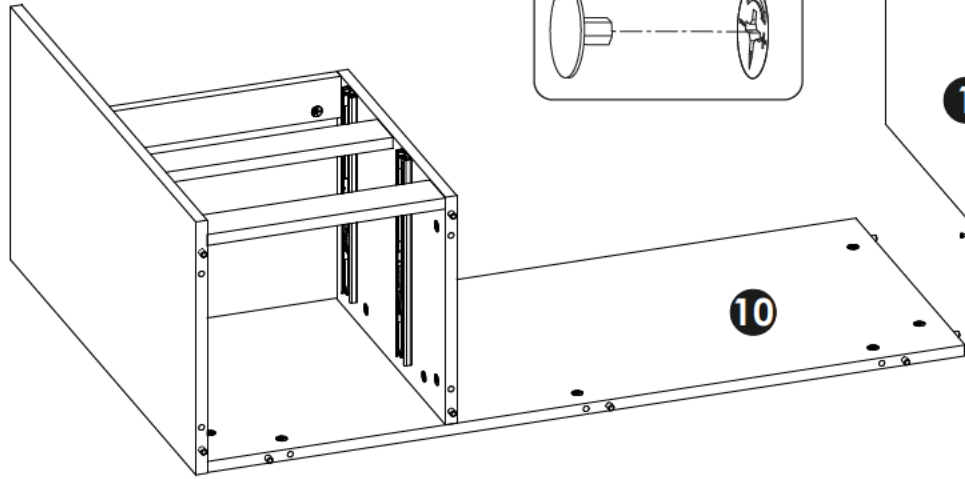
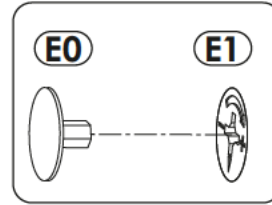
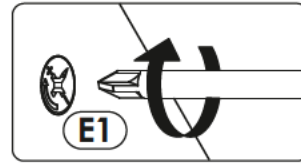
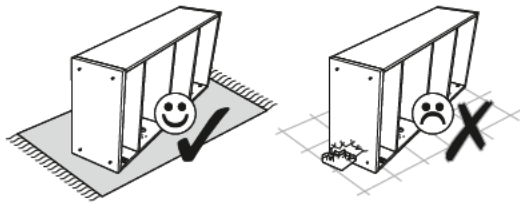
7 ▶



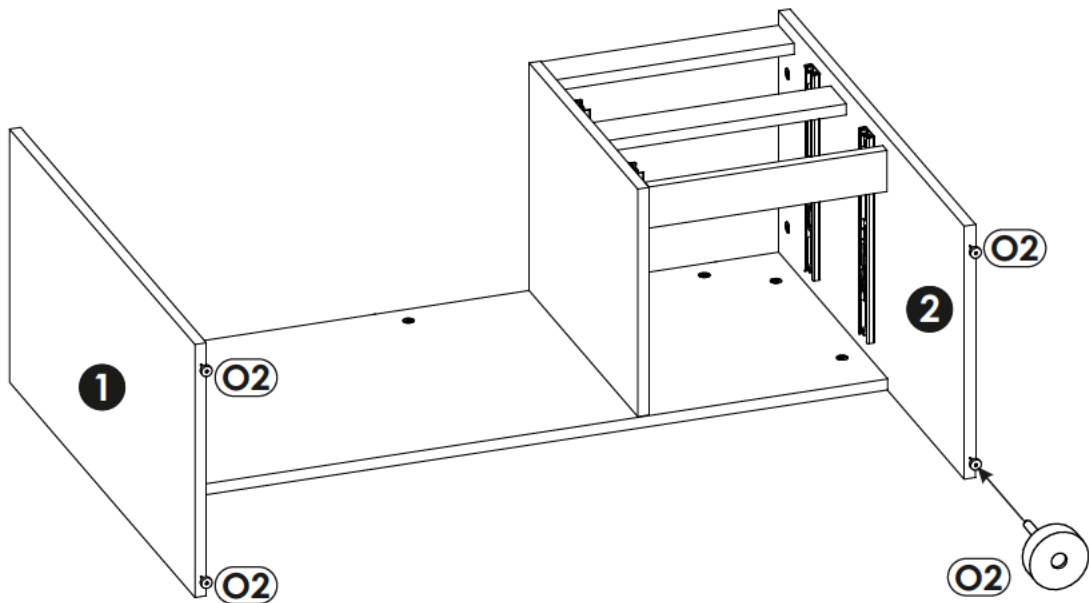
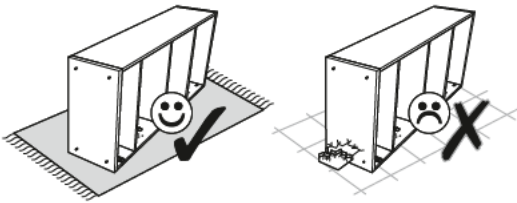
8 ▶



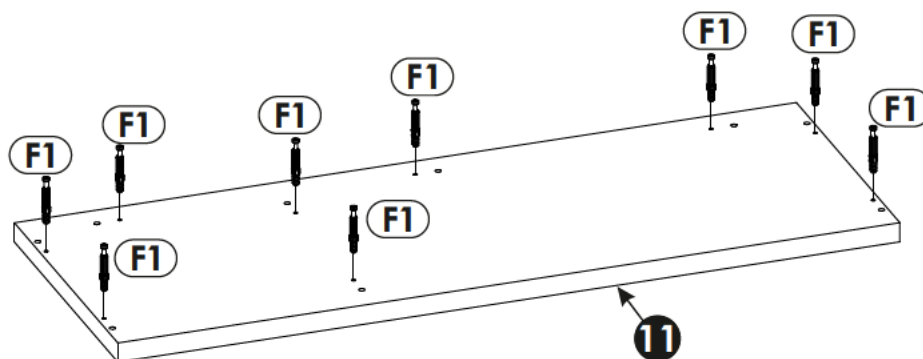
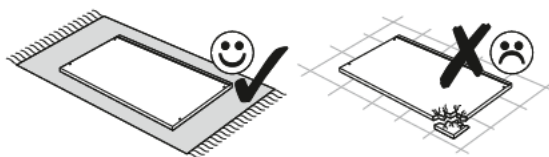
9 ▶



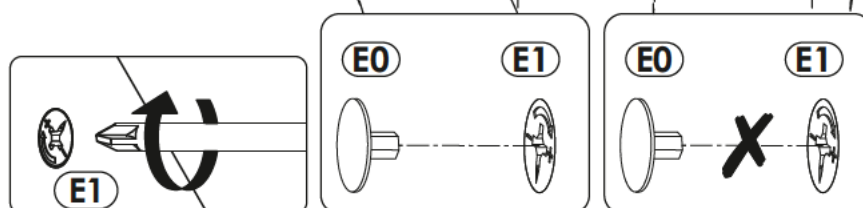
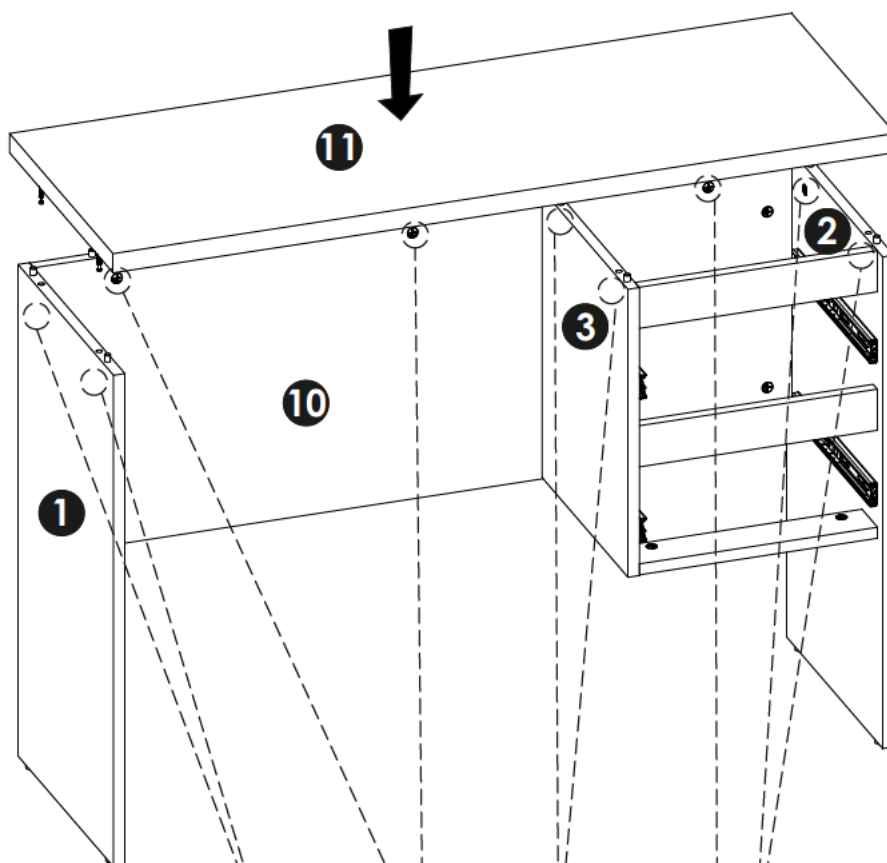
10 ▶



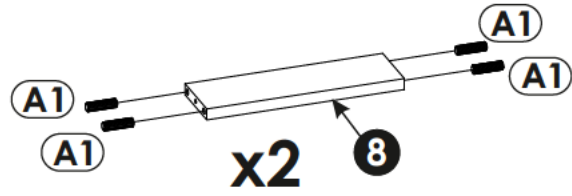
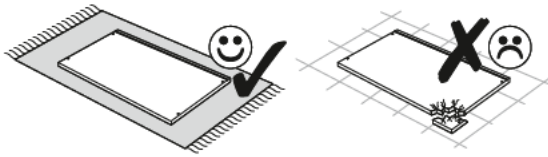
11▶



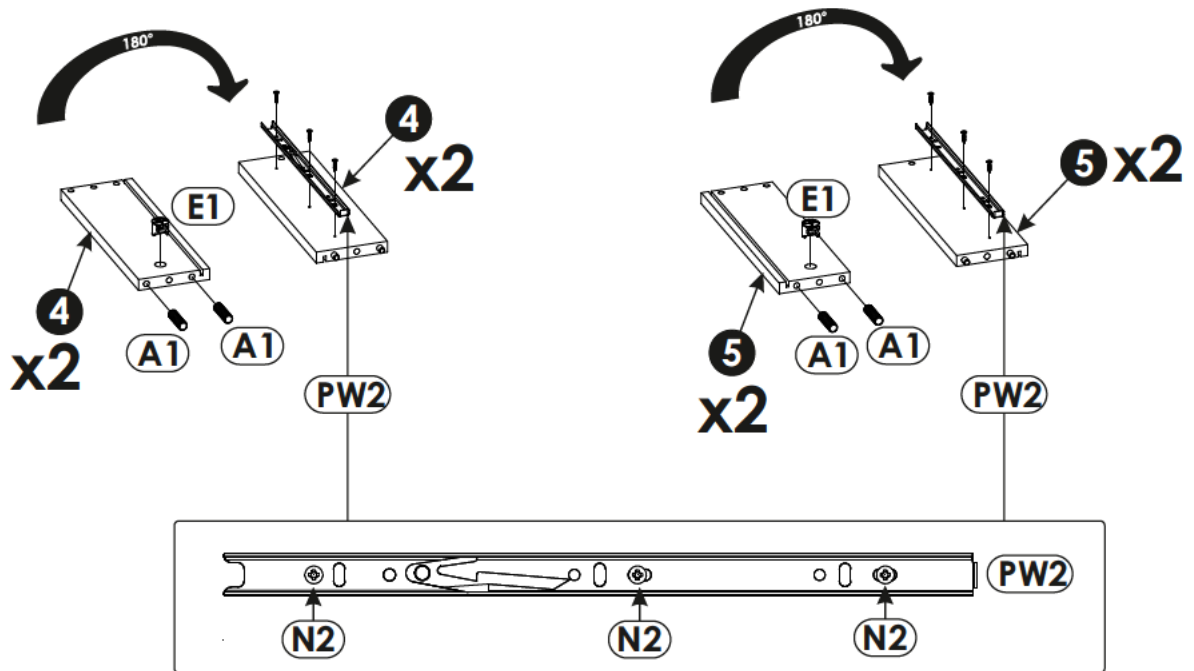
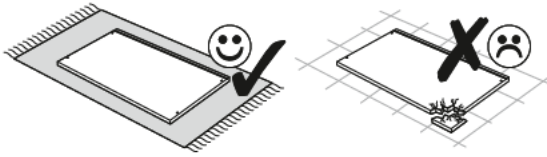
12▶



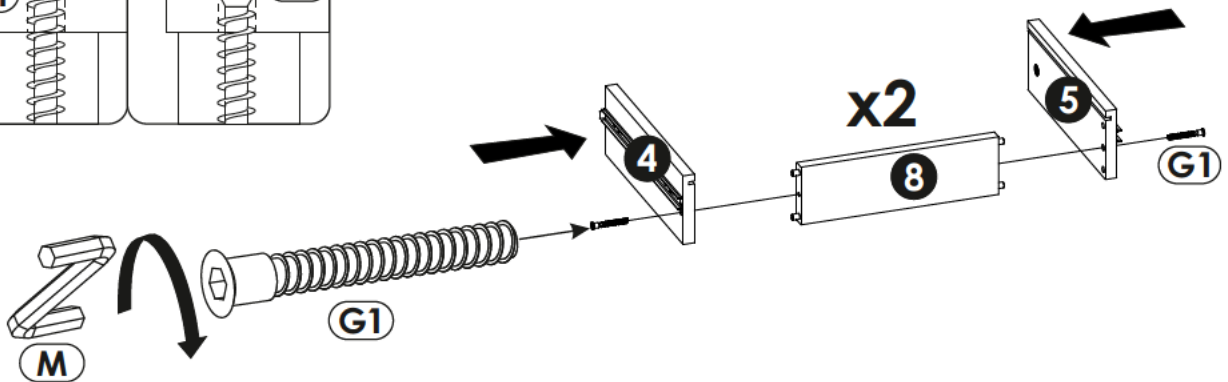
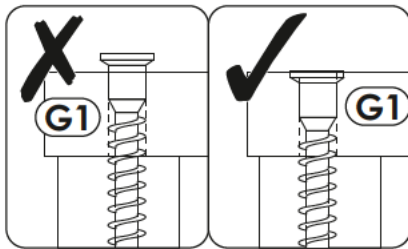
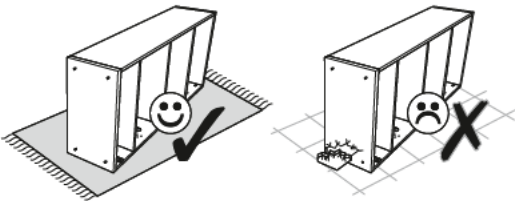
13▶



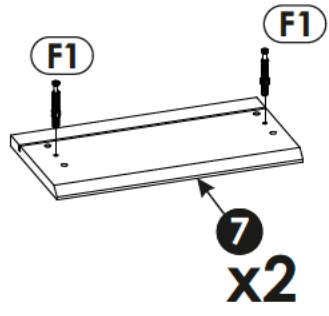
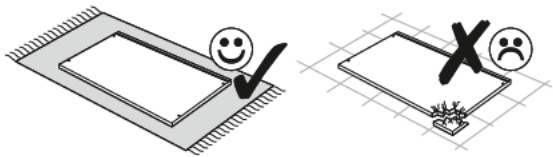
14▶



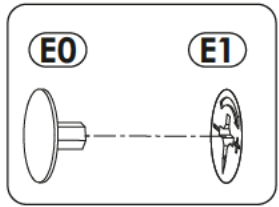
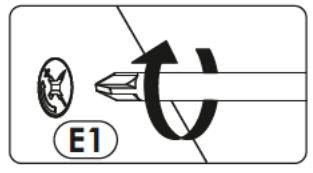
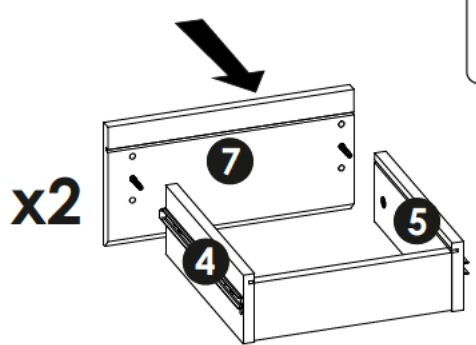
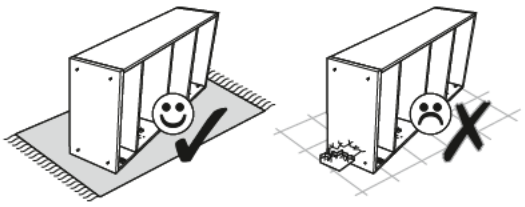
15▶



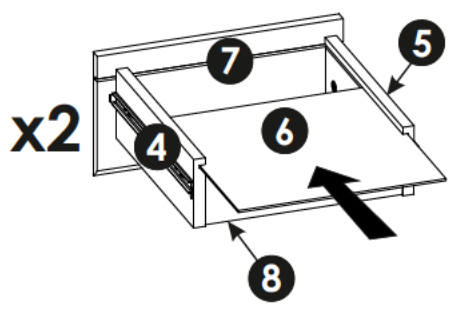
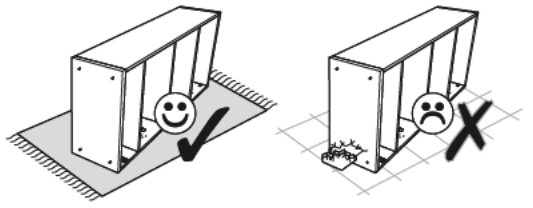
16▶



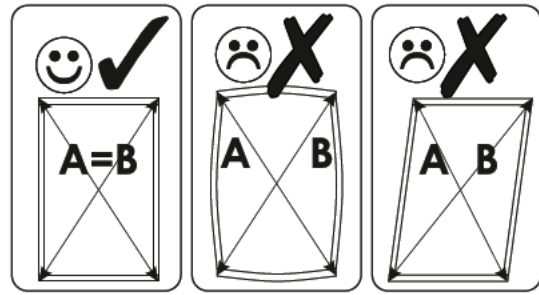
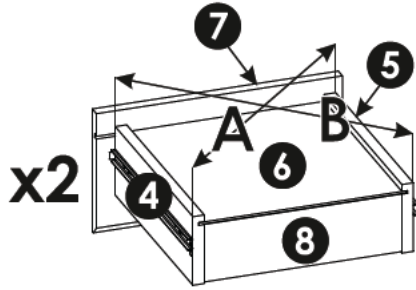
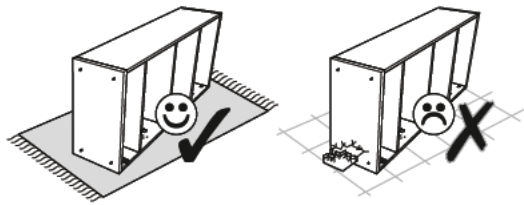
17▶



18▶

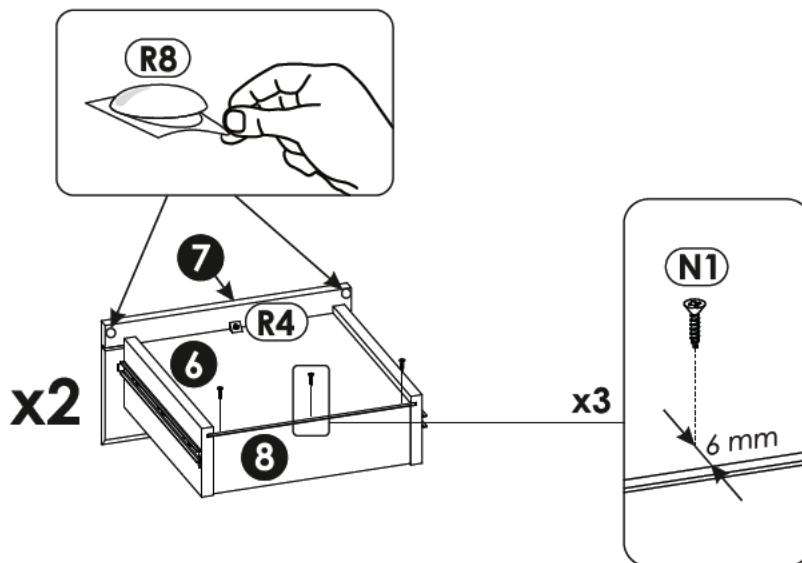
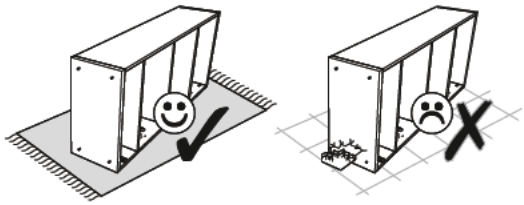


19▶

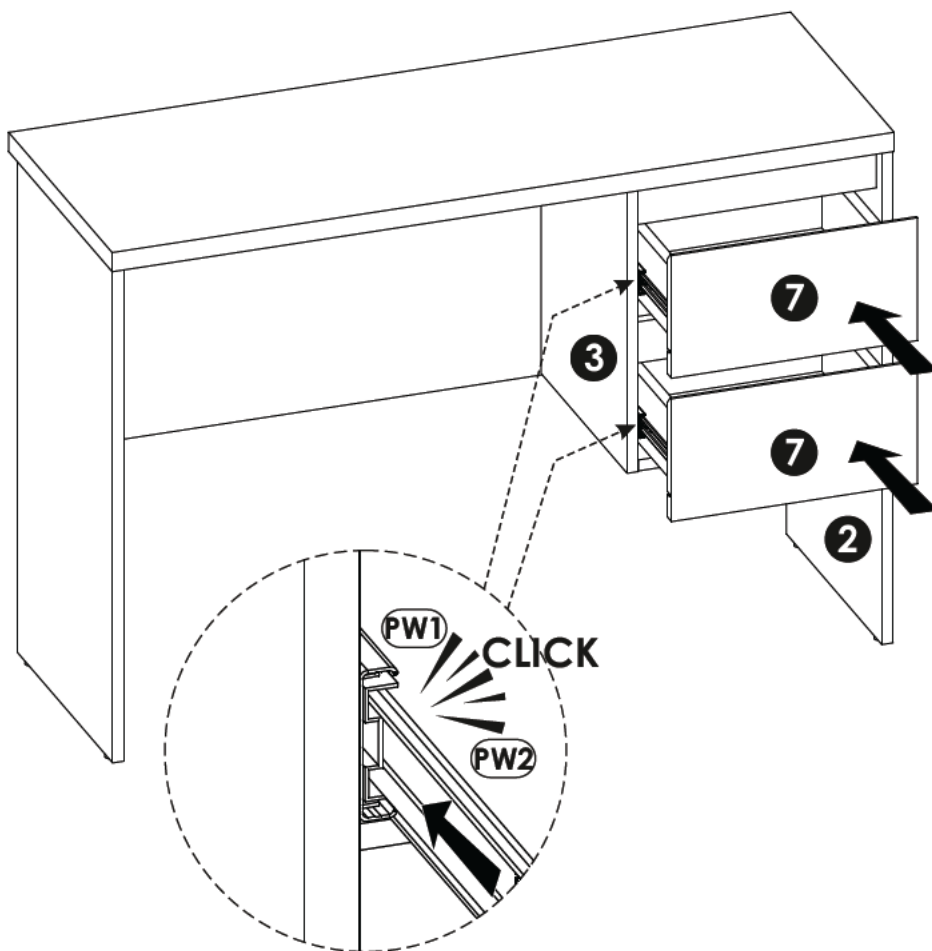


A=B

20▶



21▶



22▶



