

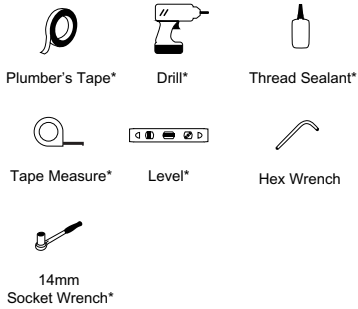
## WALL-MOUNT FAUCET

### BEFORE YOU BEGIN

We recommend consulting a professional if you are unfamiliar with installing bathroom fixtures and plumbing. We accept no liability for any damage to the floor, walls, plumbing, or personal injury during installation.

For the following installation instructions for your new Wall-Mount Faucet, it is assumed that any old fixtures have been removed and the water supply lines have been relocated to the proper installation location.

### TOOLS AND MATERIALS:



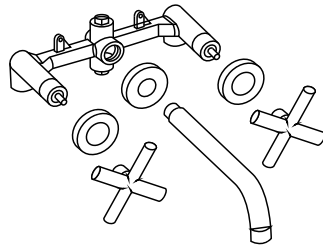
\*not included

### GETTING STARTED

- Ensure that you have gathered all of the required materials that are needed for the installation.
- Shut off the main water supply where the new faucet is being installed.

### PLANNING

Use the faucet's PDF specification sheet as a reference when planning your installation. The specification sheet can be found and downloaded from the product page on our website.



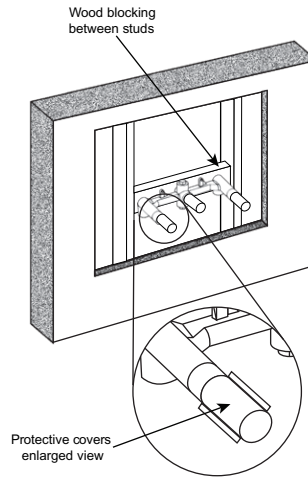
1

## WALL-MOUNT FAUCET

### INSTALLATION

1. Prepare for installation by installing wood blocking between the two studs where the faucet will mount. The valve should be installed 2" behind the finished wall.

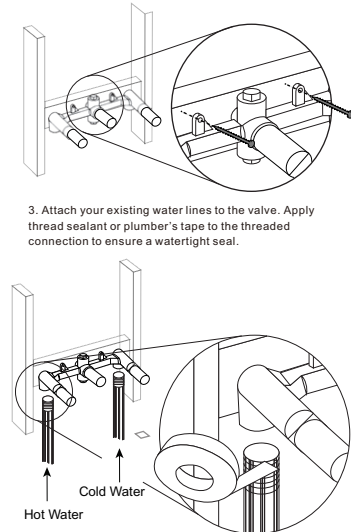
**Important:** Take into consideration the thickness of your finished wall materials, such as a tile backsplash. If your valve is installed too far behind your finished wall, you may be left with insufficient clearance to attach the spout and handles.



2

2. Mount the rough-in valve into its prepared location. Attach the valve body using the provided hardware. Use a level to ensure that the valve is mounted completely level.

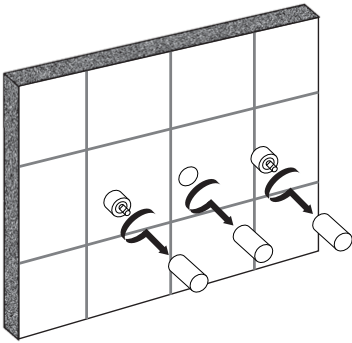
**Important:** Leave the protective plastic sleeves on the valve until your finished wall is completed.



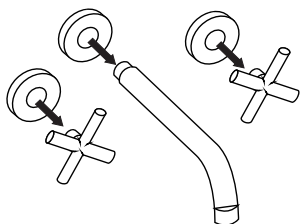
3. Attach your existing water lines to the valve. Apply thread sealant or plumber's tape to the threaded connection to ensure a watertight seal.

## WALL-MOUNT FAUCET

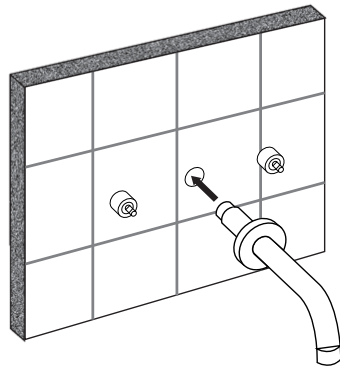
4. Once your finished wall has been completed, remove the protective plastic sleeves from the valve. Remove the plug from the spout outlet using a 14mm socket wrench.



5. Slide the decorative escutcheons onto the spout and each handle.



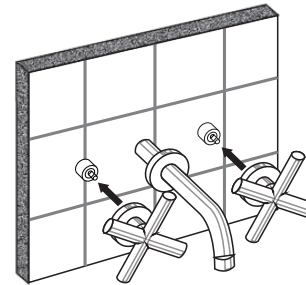
6. Attach the spout to the valve by twisting it into the middle valve outlet. Apply plumber's tape or a small amount of thread sealant to the threads before attaching.



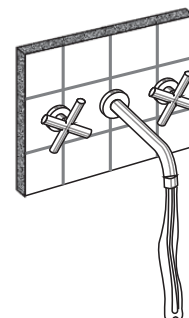
3

## WALL-MOUNT FAUCET

7. Attach the hot and cold handles by sliding them onto the left and right stems. Secure each handle by tightening the set screw on the bottom of the handle, using the provided hex wrench.



8. When your installation is complete, turn on the main water supply. Use the provided tool to remove the aerator from the spout. Turn the water on to allow any dust or loose sediment to clear the system. Allow the water to flow through the spout for approximately 60 seconds, and verify that hot and cold water are running properly. Reattach the aerator once testing is complete.



4