



1 Headboard post x 2
(85 x 4.5cm)



6 Top headboard rail x 2 (88.8 x 6.5cm)



2 Left footboard post
(38 x 4.5cm)



7 Centre headboard rail x 2 (88.8 x 6.5cm)



3 Right footboard post
(38 x 4.5cm)



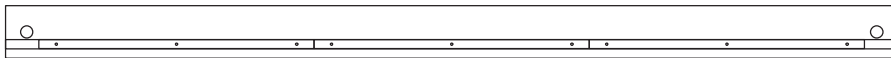
8 Footboard panel (88.8 x 9.2cm)



4 Slat x 12
(91.2 x 6.5cm)

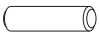



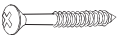

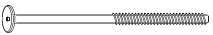




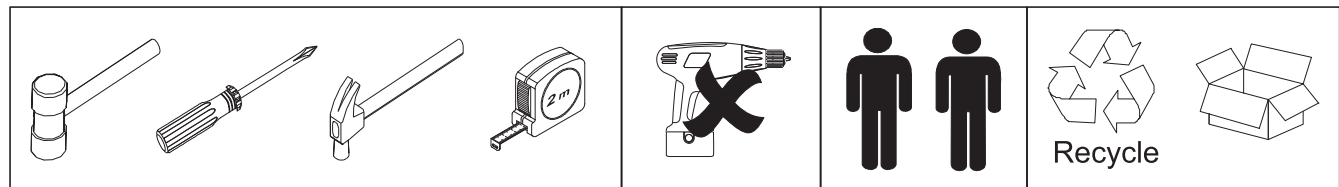
9 Hardware Kit x 1



5 Side rail x 2 (190 x 11.2cm)

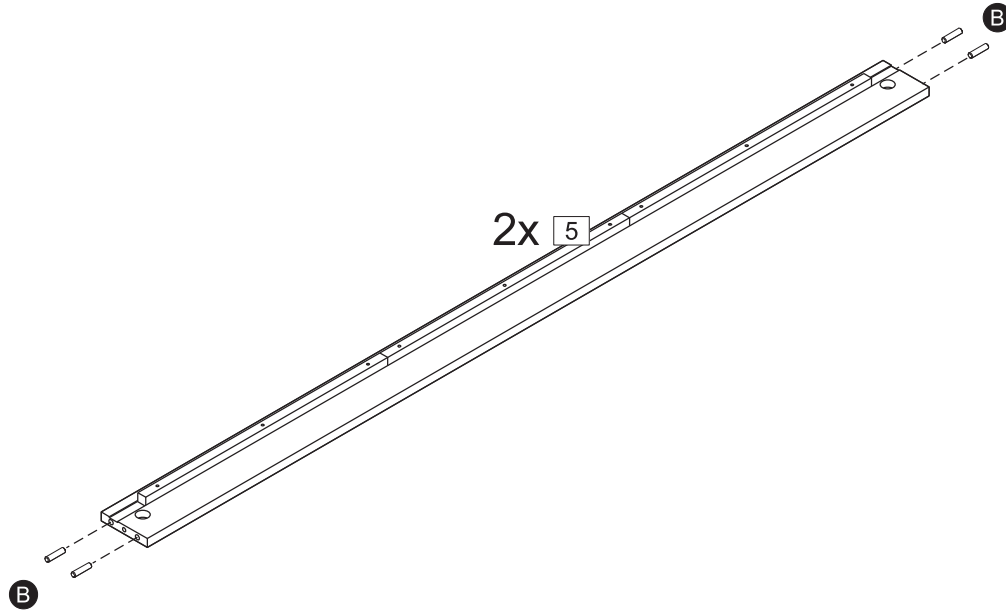
HARDWARE LIST

Part	Item	Qty	Part	Item	Qty
A	30mm dowel 	14	F	Half moon nut 	4
B	40mm dowel 	8	G	Allen key 	1
C	30mm Screw 	24	H	Spacer 	2
D	80mm Bolt 	6	J	Glue 	1
E	70mm Bolt 	4	You will need a screwdriver and small mallet (not provided).		

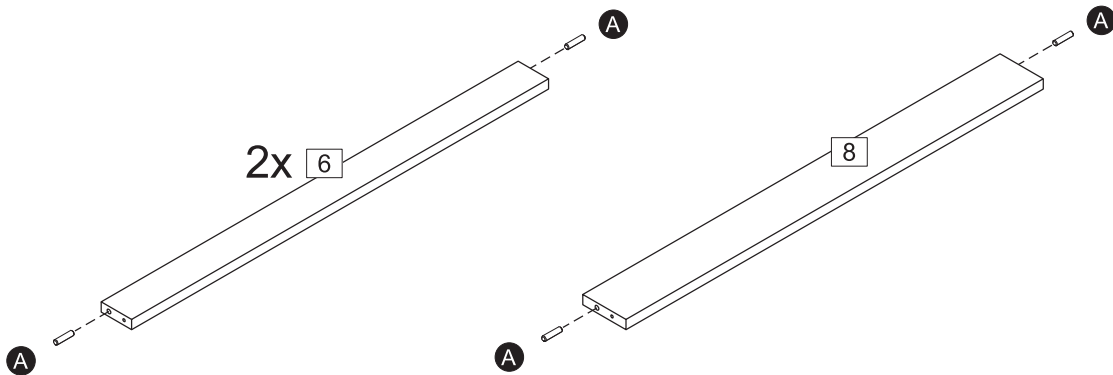


Step 1: Insert hardware part B to the side rails (5) using a small mallet (not provided).
DO NOT use any power tools as this may damage the frame and will invalidate any claim.

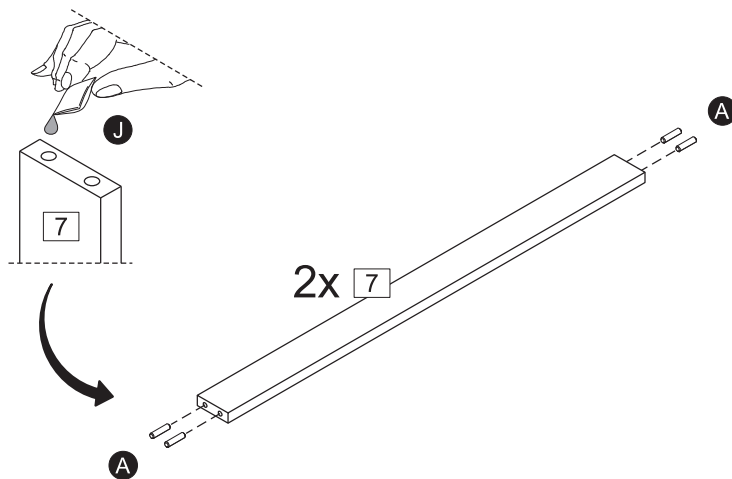
Vendor: S000238



Step 2: Insert hardware part A to the top headend rails (6) and footend panel (8) using a small mallet (not provided).

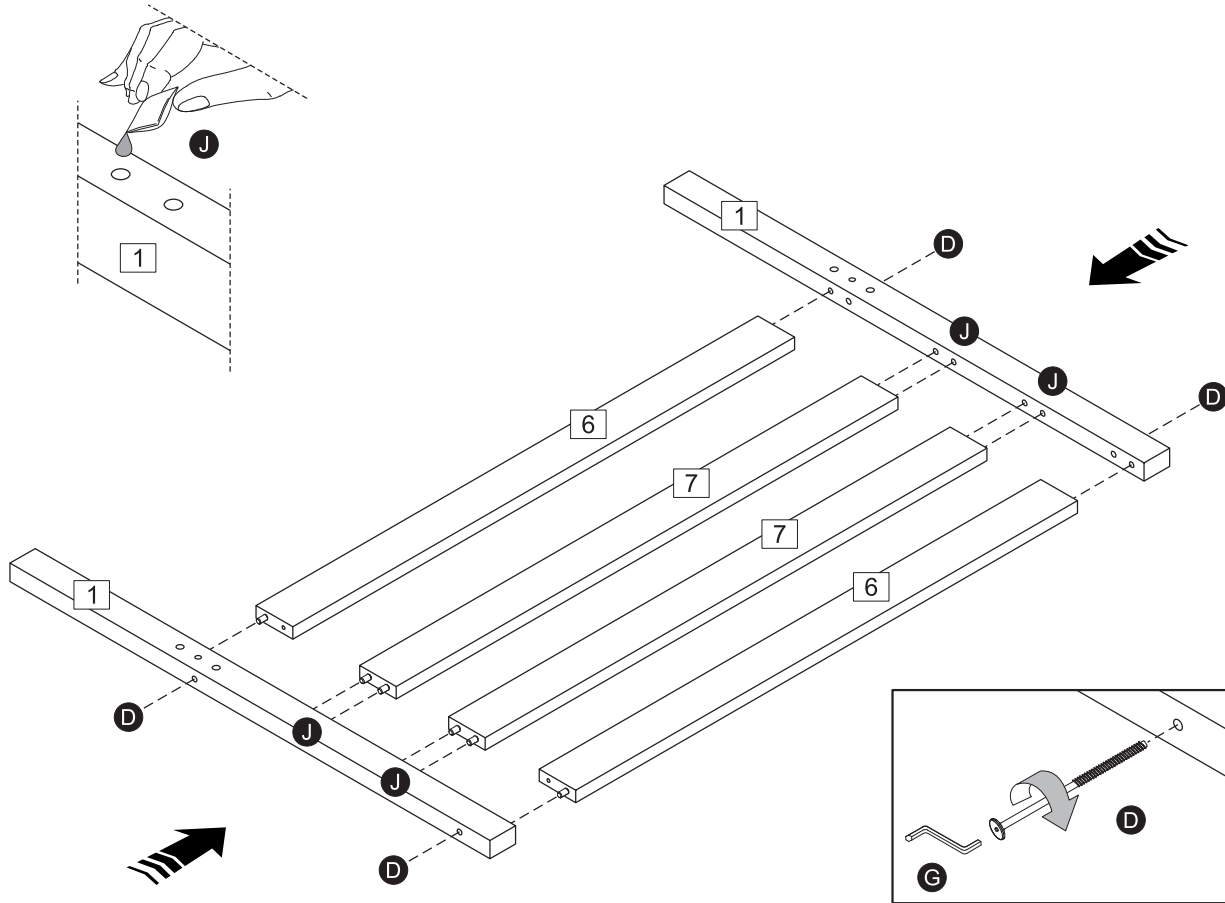


Step 3: Insert hardware part A and J to the centre headend rails (7) using a small mallet (not provided).

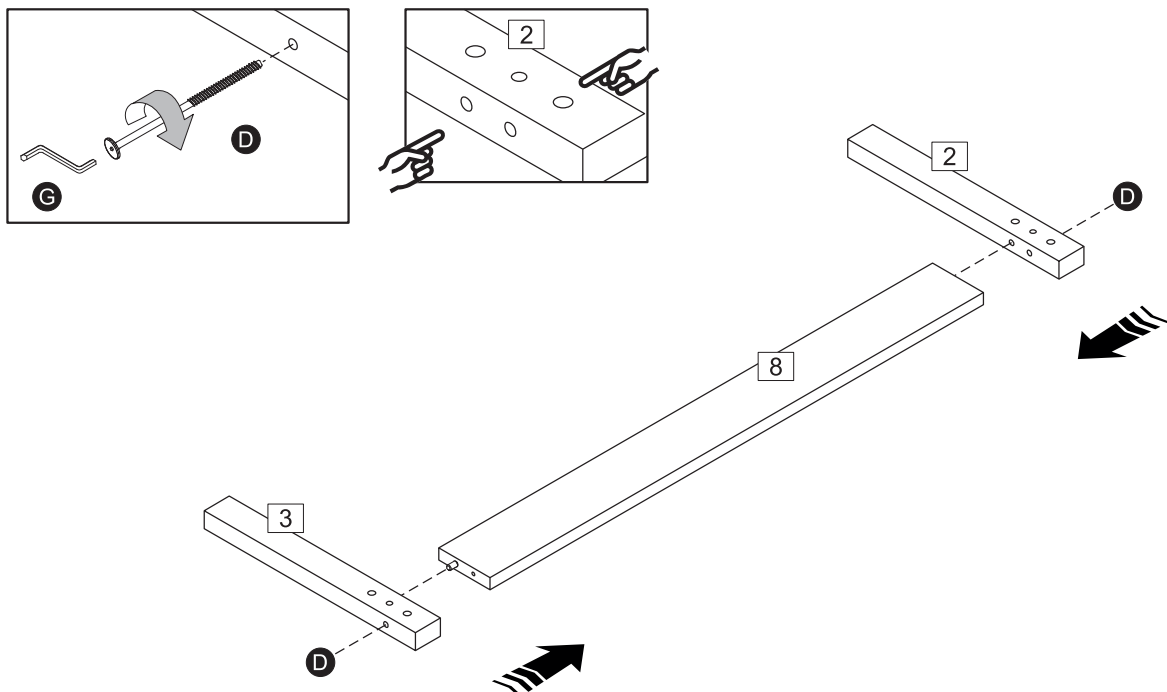


Step 4: Attach the headend post (1) to the centre headend rails (7) using hardware parts J. Attach the headend post (1) to the top headend rails (6) using hardware parts D and G and. **DO NOT use any power tools as this may damage the frame and will invalidate any claim.**

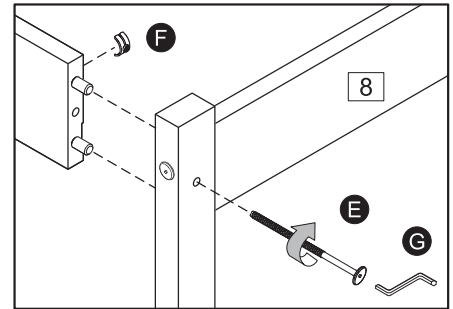
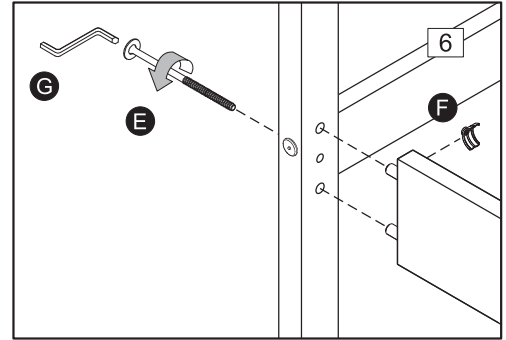
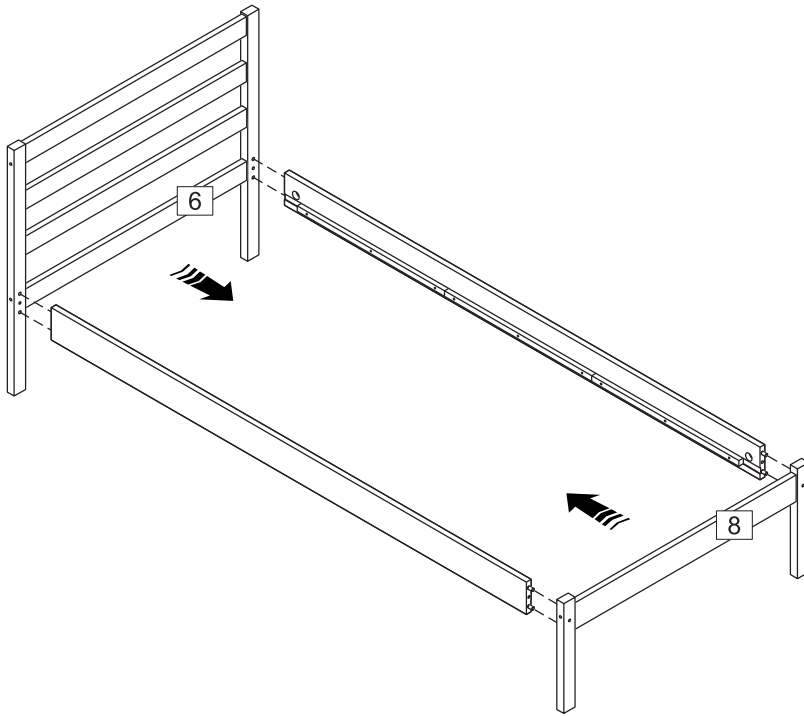
Vendor: S000238



Step 5: Attach the left footend post (2) and right footend post (3) to the footend panel (8) using hardware parts D and G. **DO NOT use any power tools as this may damage the frame and will invalidate any claim.**



Step 6: Attach the side rails to the headend posts at the same time using hardware parts E, F and G. Vendor: S000238
DO NOT use any power tools as this may damage the frame and will invalidate any claim.



Step 7: Fix slats (4) to the side rails using hardware parts C and H with a screwdriver (not provided).
Make sure to start from the ends and work towards the middle.
DO NOT use any power tools as this may damage the frame and will invalidate any claim

