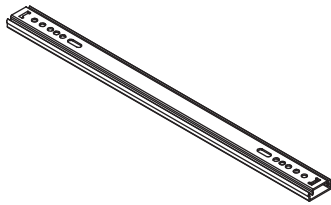
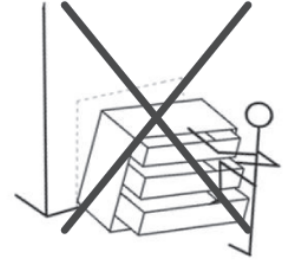
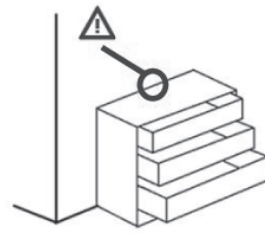
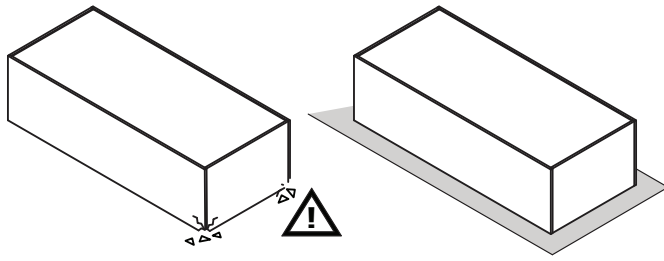
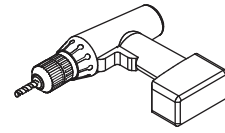
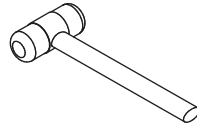
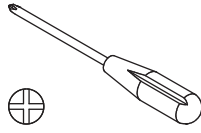
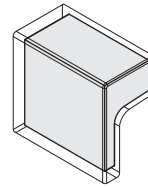


1h

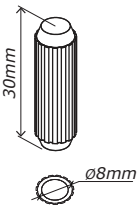


A34
x4



M211
x2

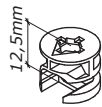
BU4114



H1
x8



T28
x12



T7
x8



T98
x4



H54
x8



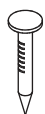
V5
x16



V38
x4



H2
x8



H15
x4



H139
x4



H113
x4



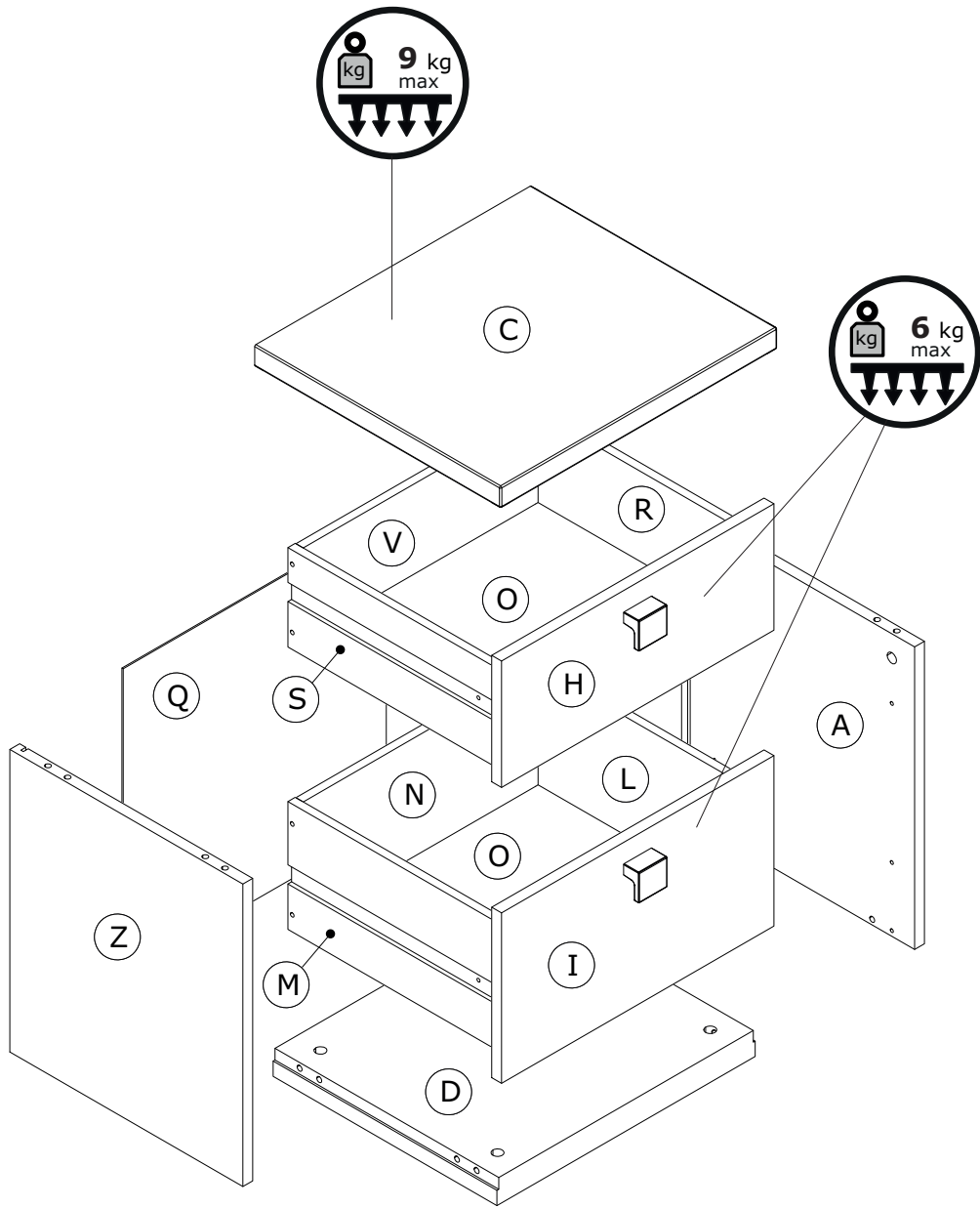
G128
x4

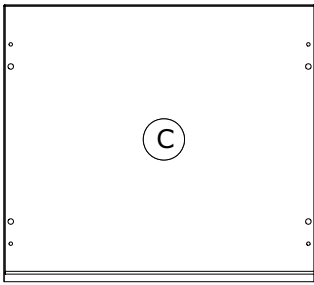


V137
x4

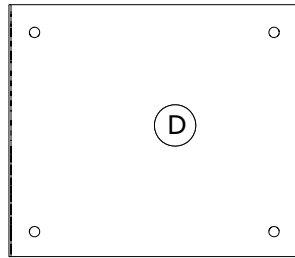


V130
x8

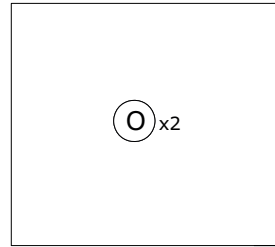




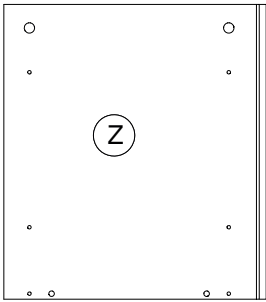
CA3600
450x400x30mm



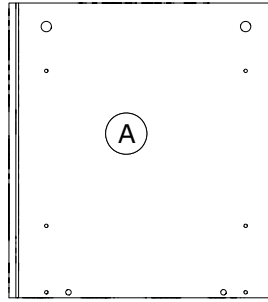
BA2189
420x364x38mm



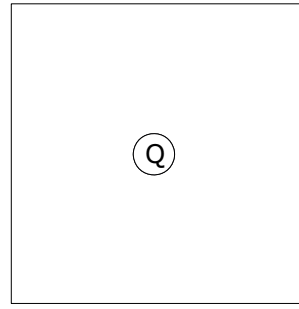
SH3371
393x350x2mm



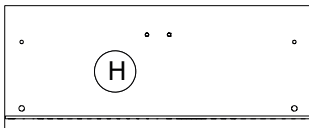
FI8789
426x379x16mm



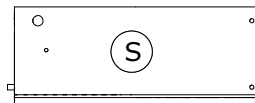
FI8791
426x379x16mm



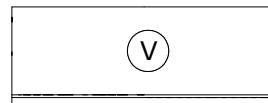
SH3370
433x428x2mm



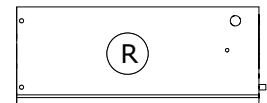
CS3416
443x178x16mm



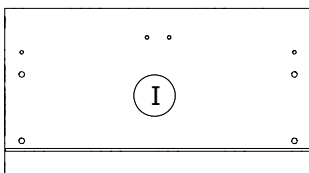
OS0301
350x180x12mm



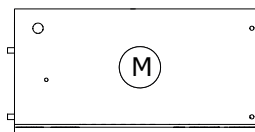
OS0302
382x180x12mm



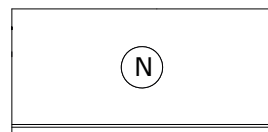
OS0300
350x180x12mm



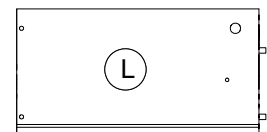
CS3414
443x240x16mm



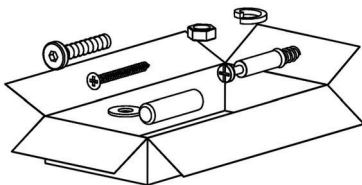
OS0304
350x140x12mm



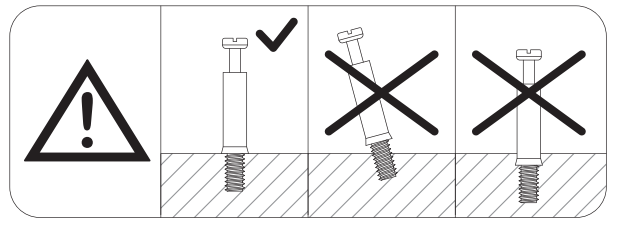
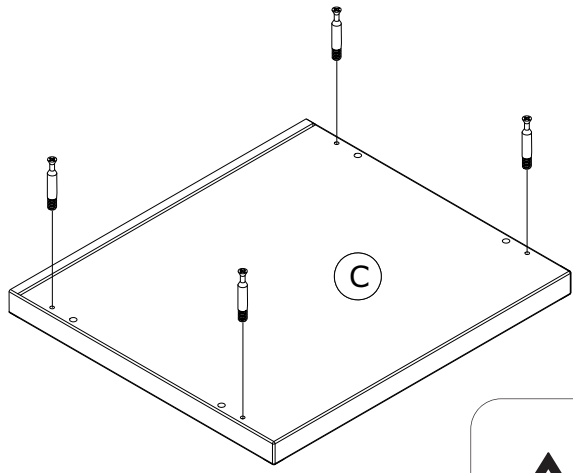
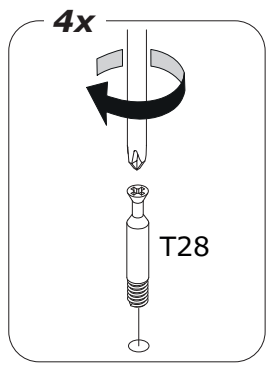
OS0305
382x140x12mm



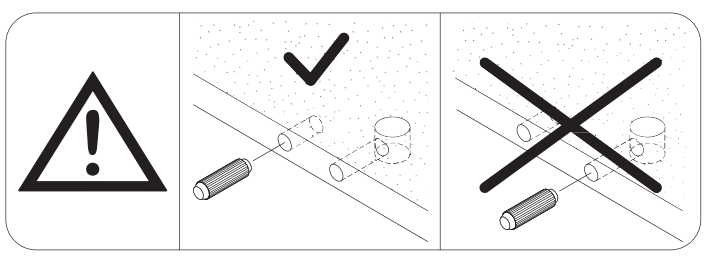
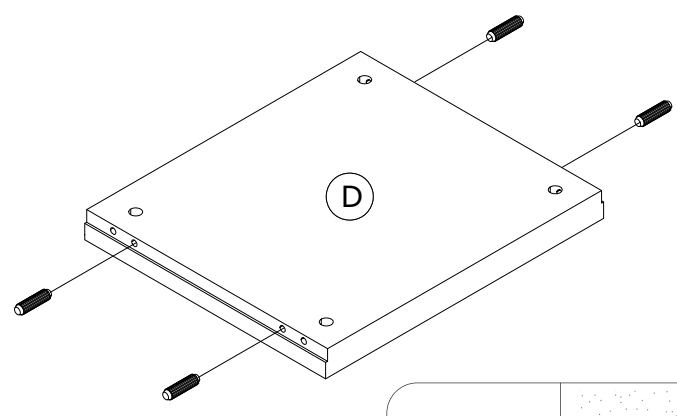
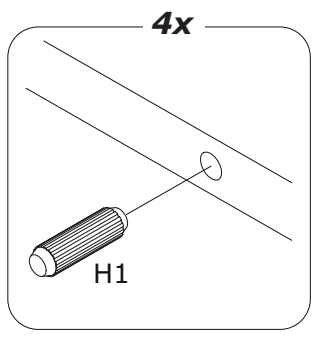
OS0303
350x140x12mm



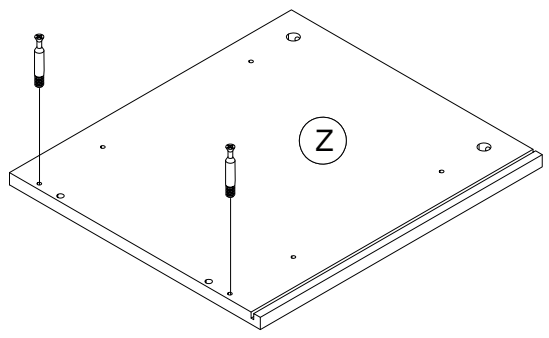
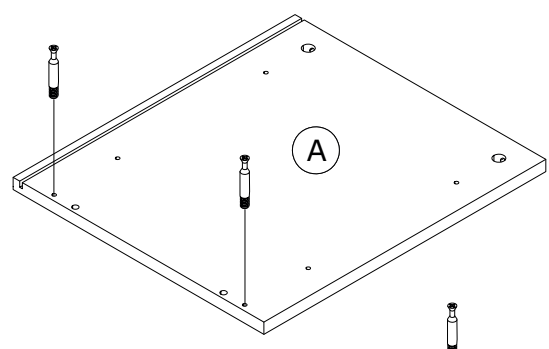
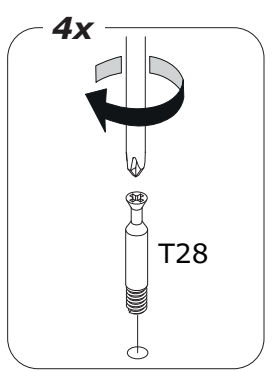
1



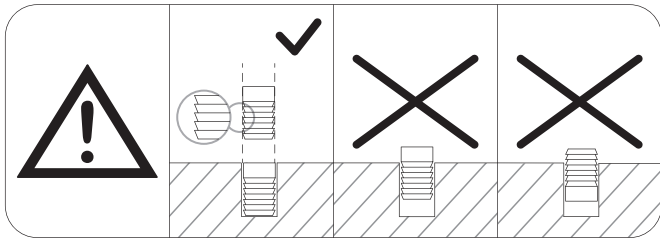
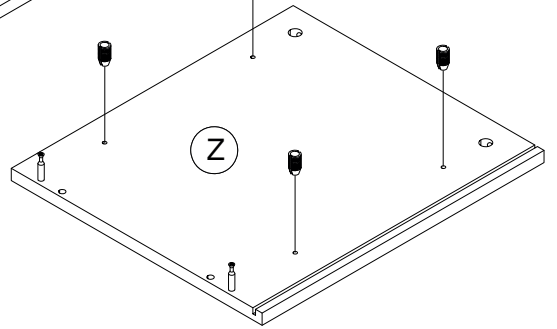
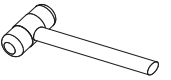
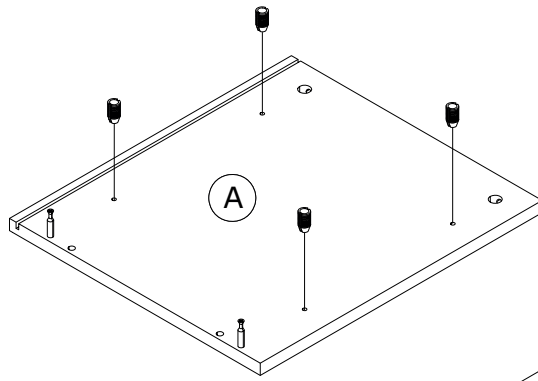
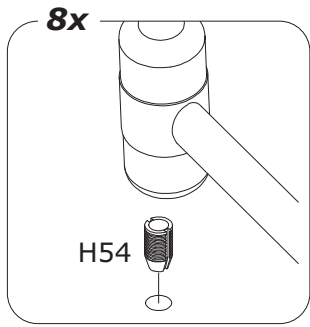
2



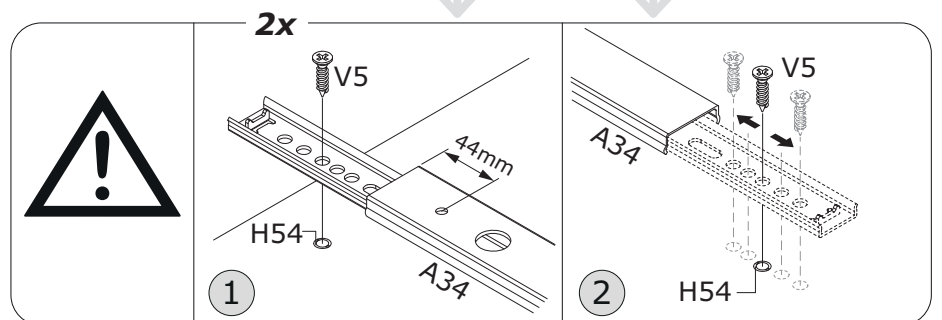
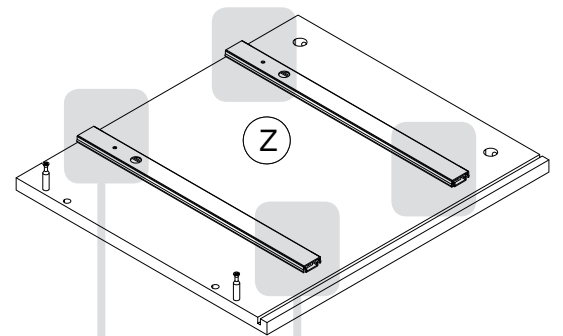
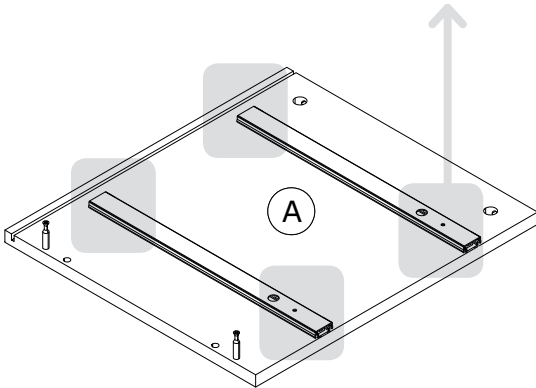
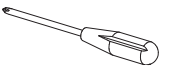
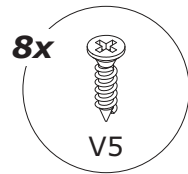
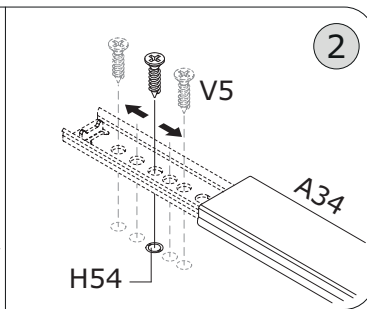
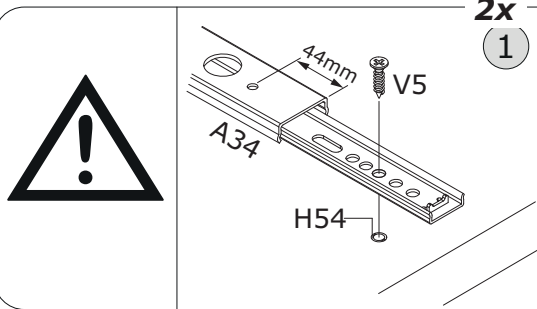
3



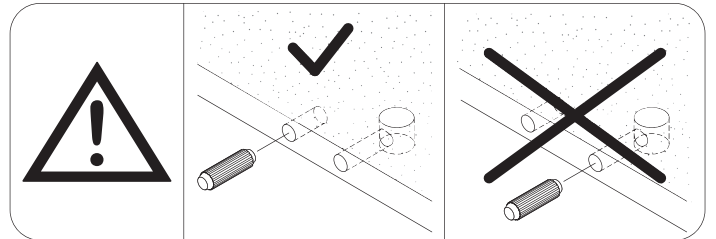
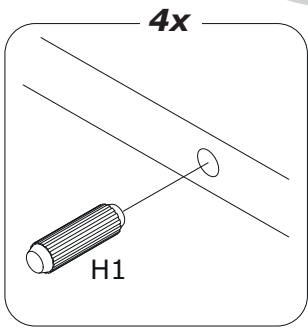
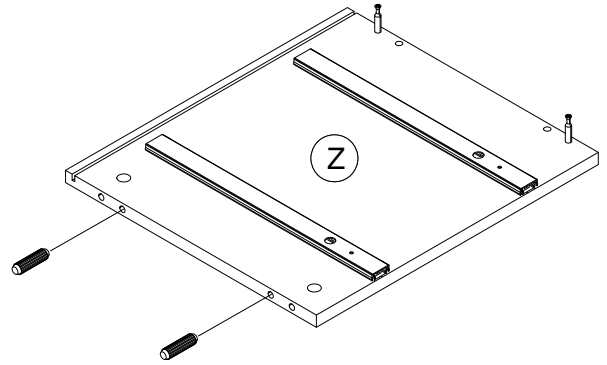
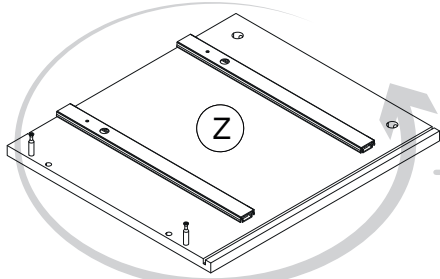
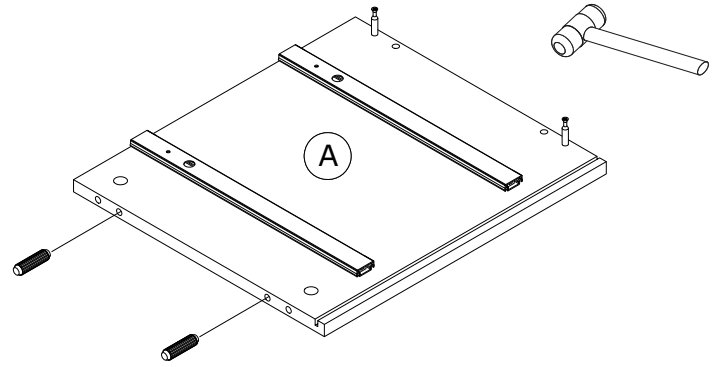
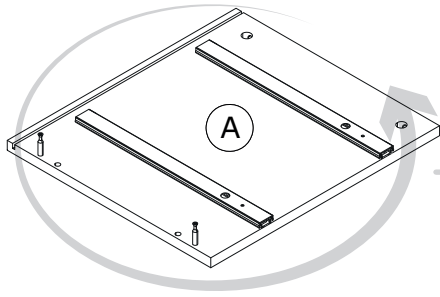
4



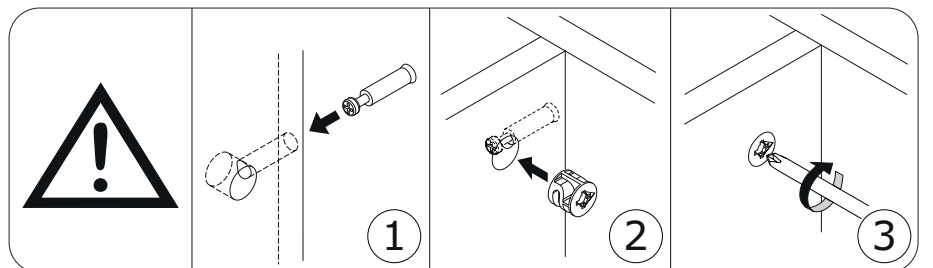
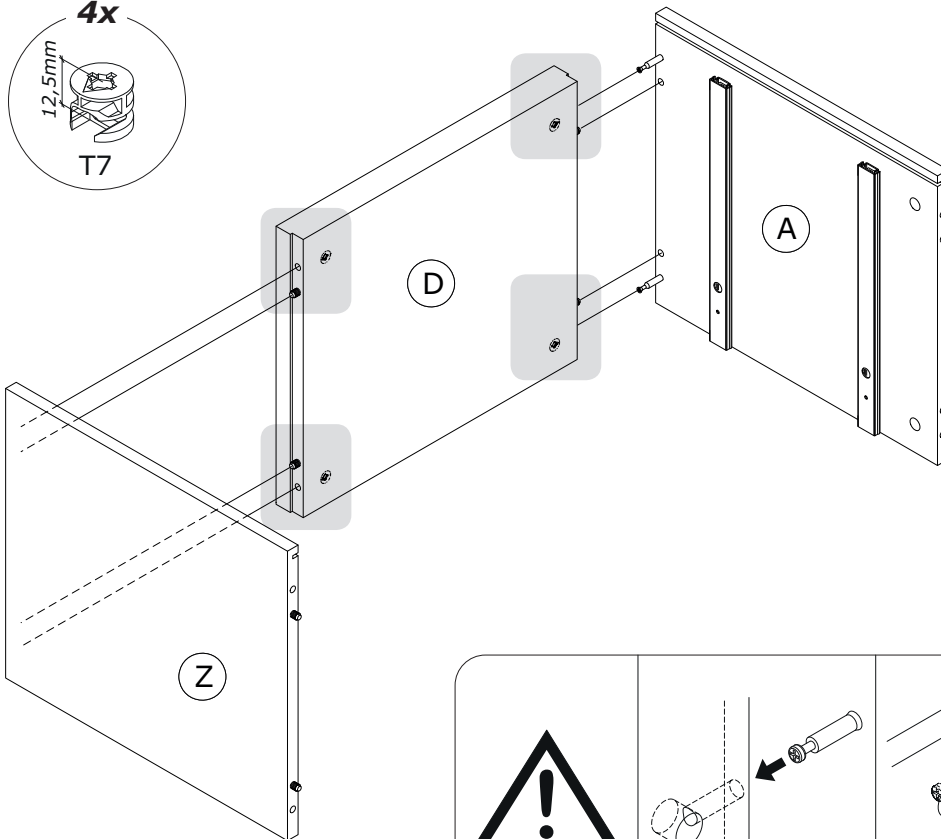
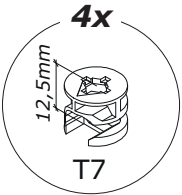
5



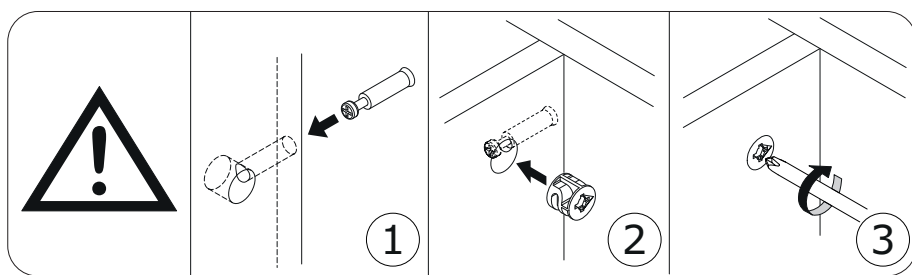
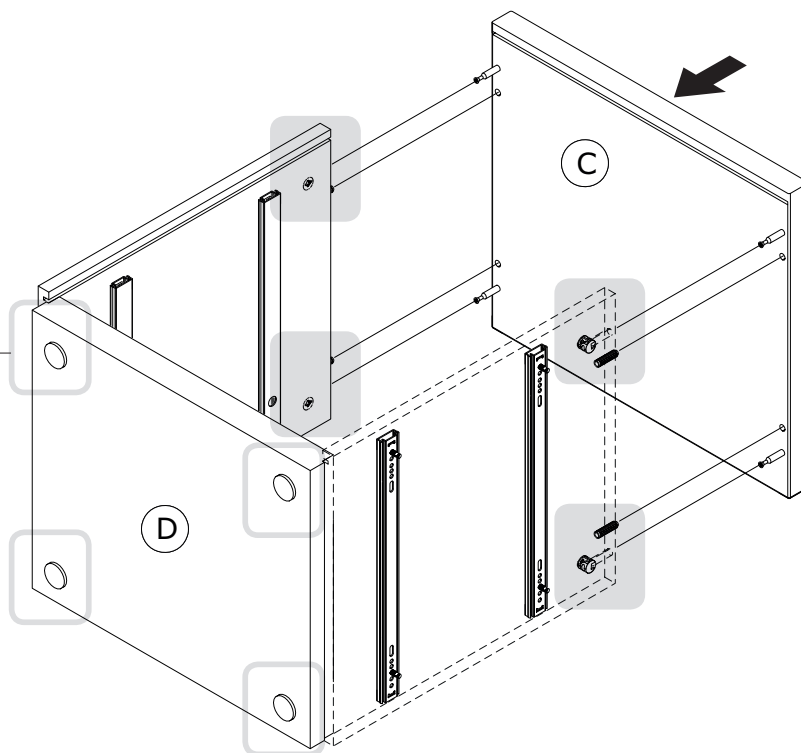
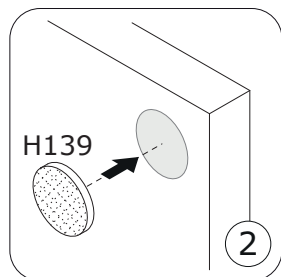
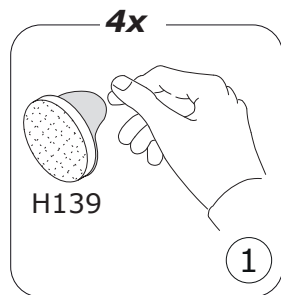
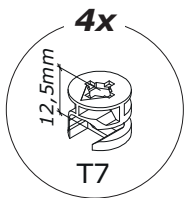
6



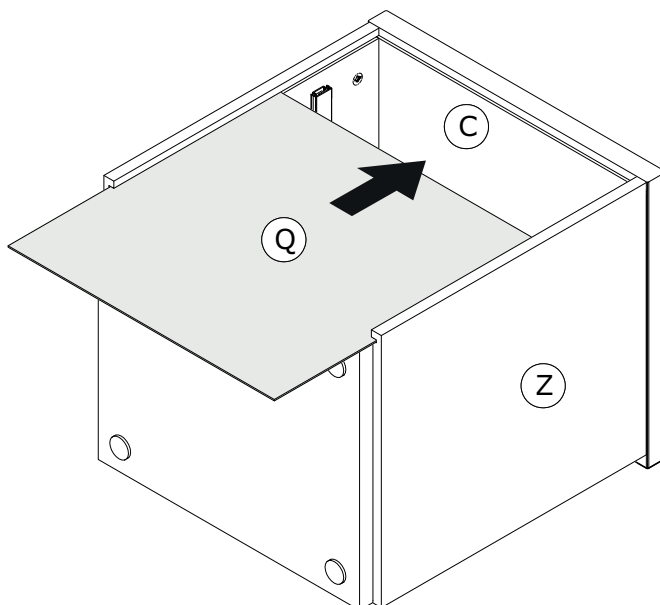
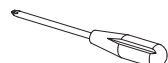
7



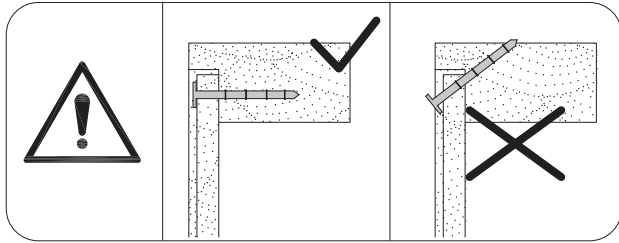
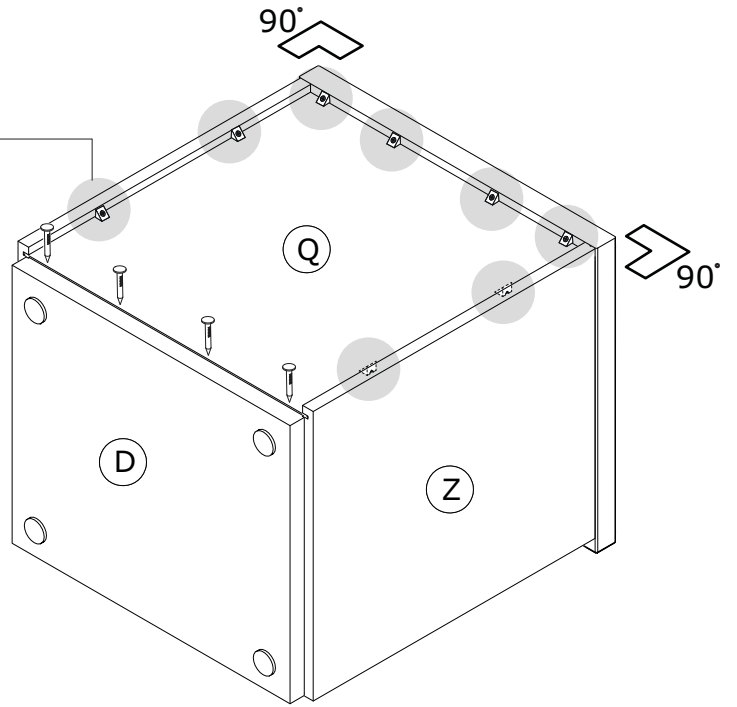
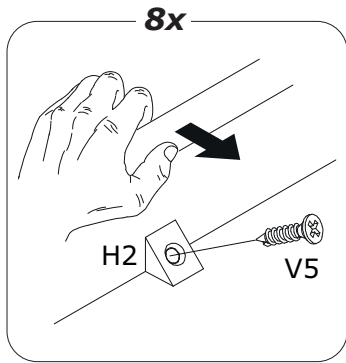
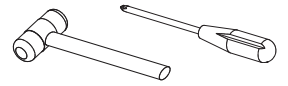
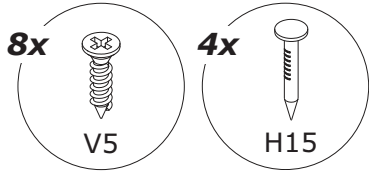
8



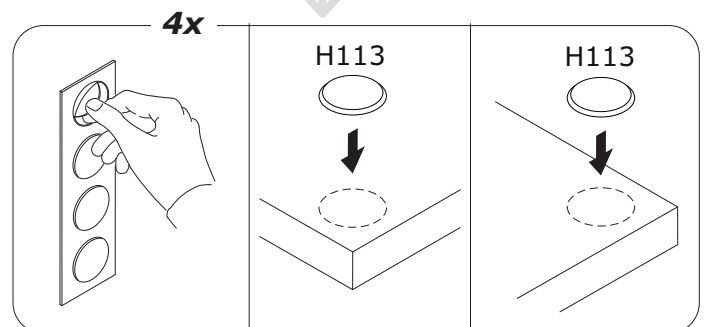
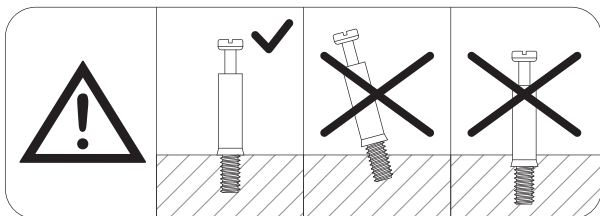
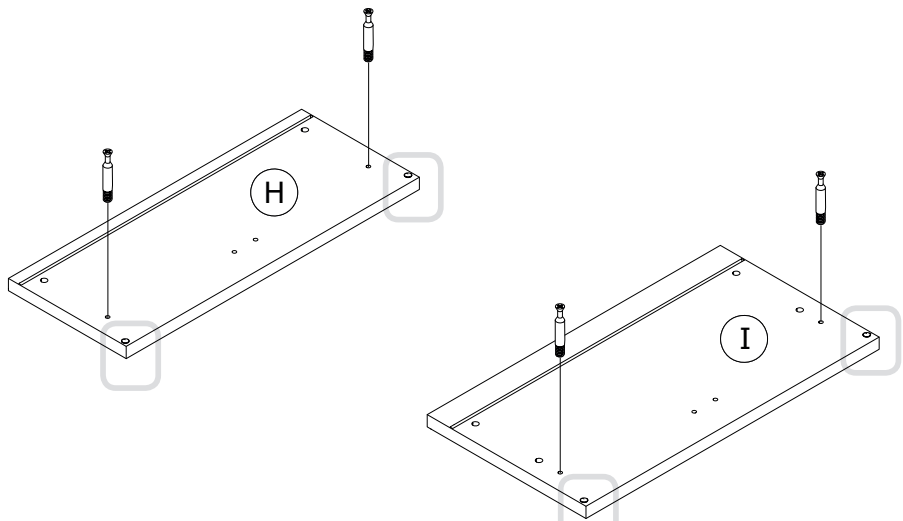
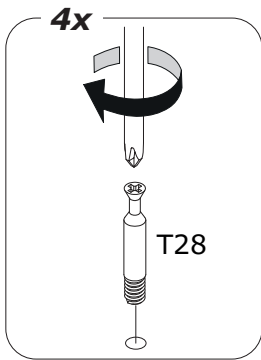
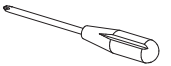
9

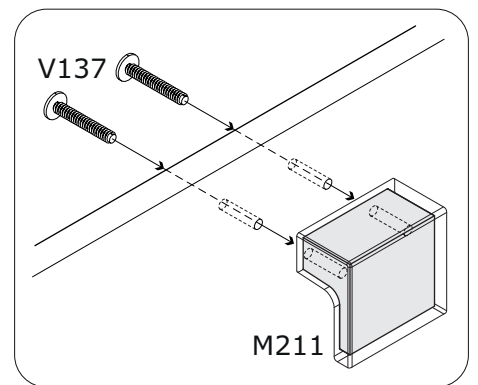
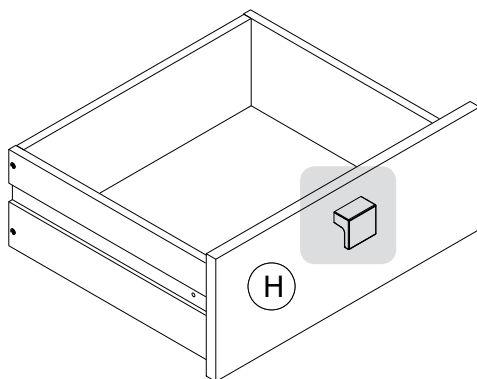
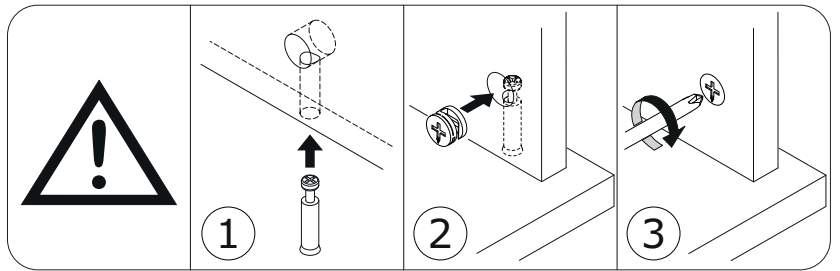
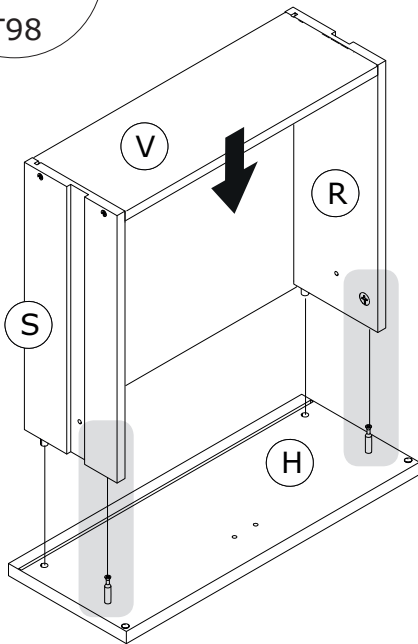
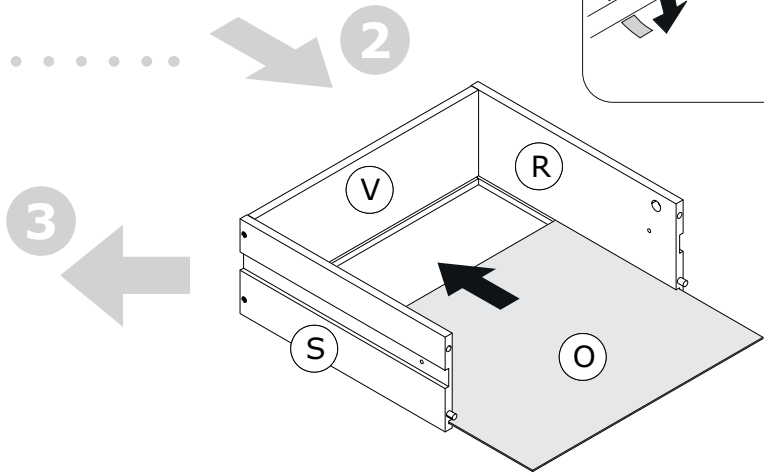
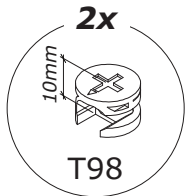
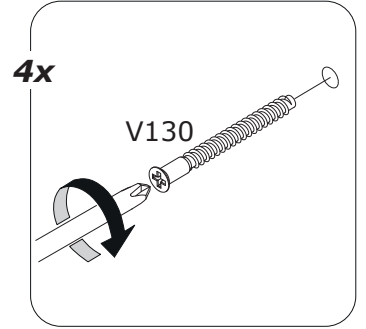
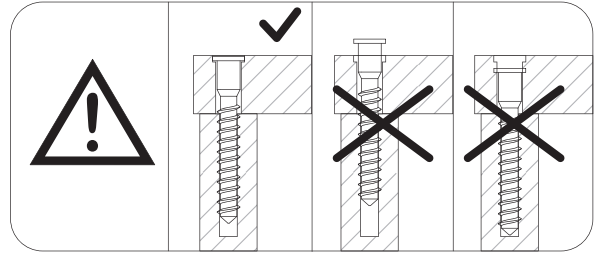
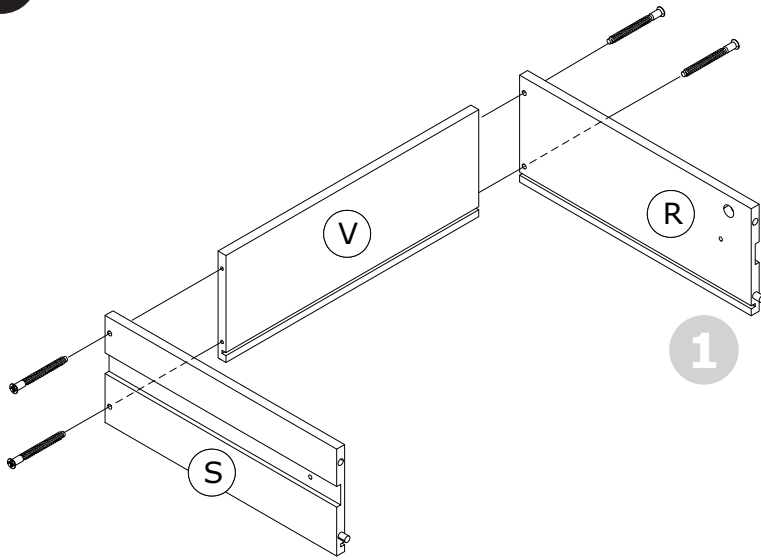
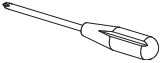


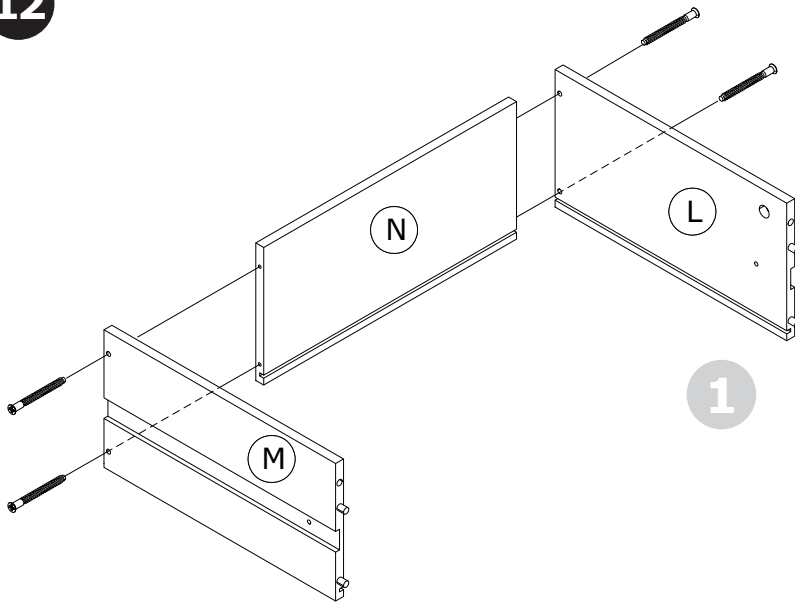
10



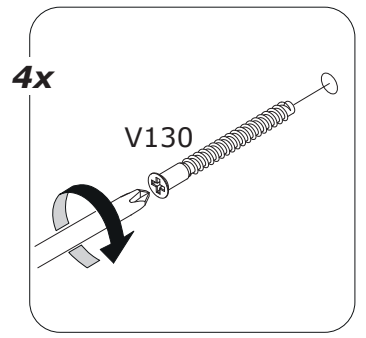
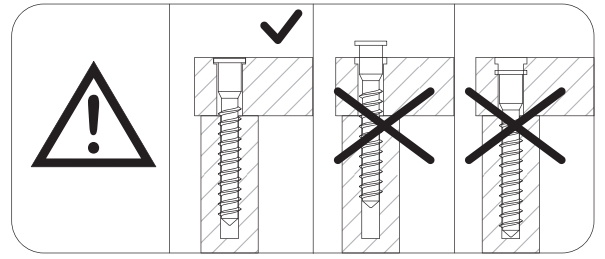
11



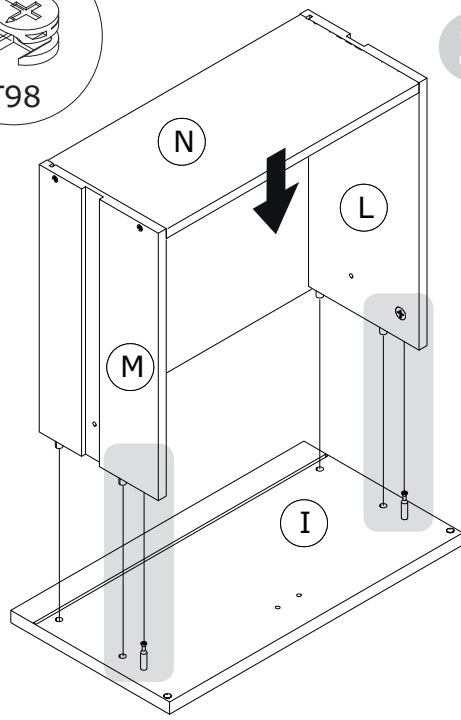
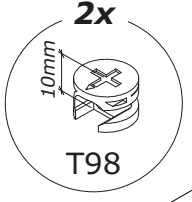




1



2



3

