

ASSEMBLY INSTRUCTIONS



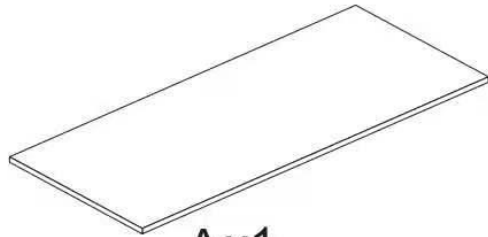
ax26



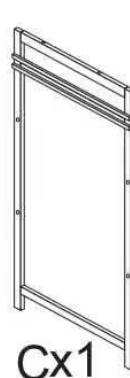
bx1



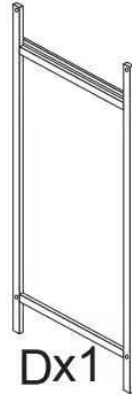
cx4



Ax1



Cx1



Dx1



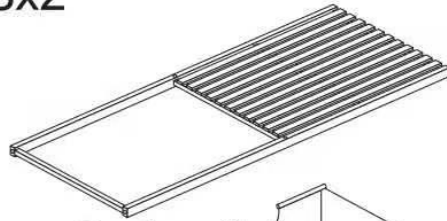
Bx2



Ex1



Fx2



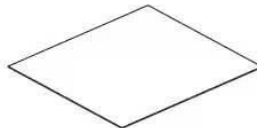
Gx1



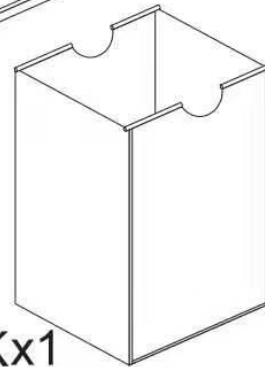
Hx2



Ix2

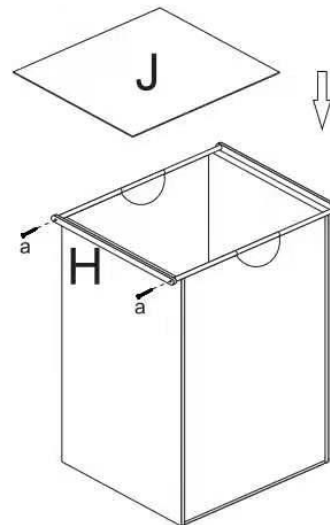
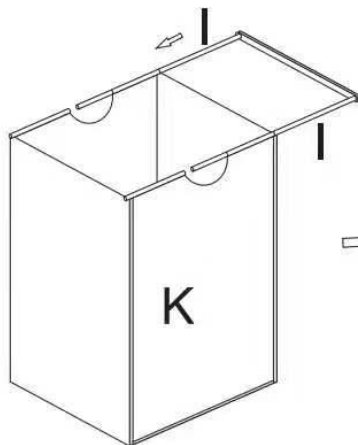
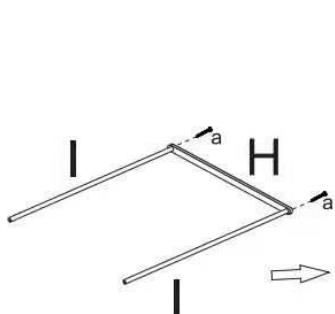


Jx1

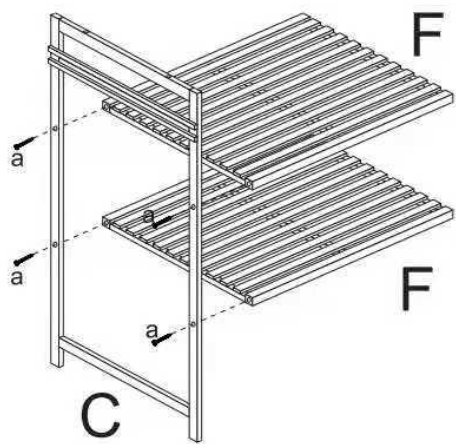


Kx1

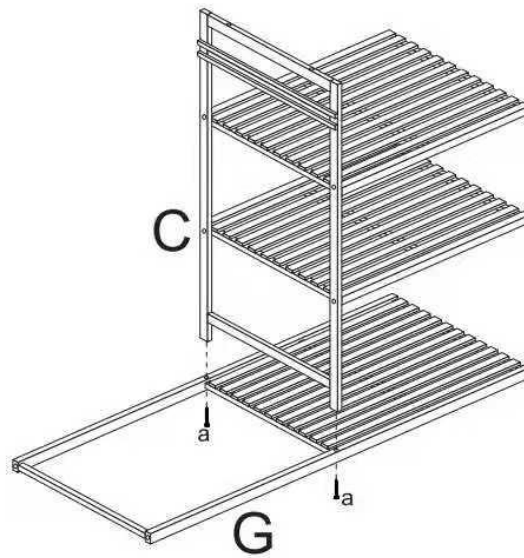
1



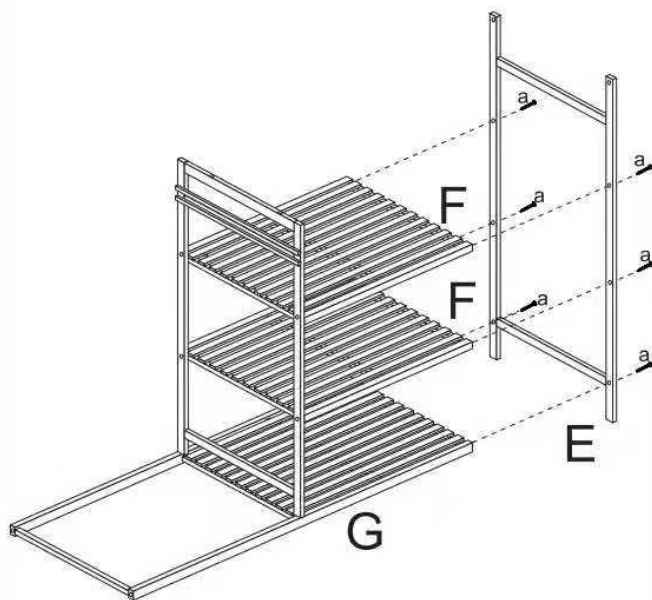
2



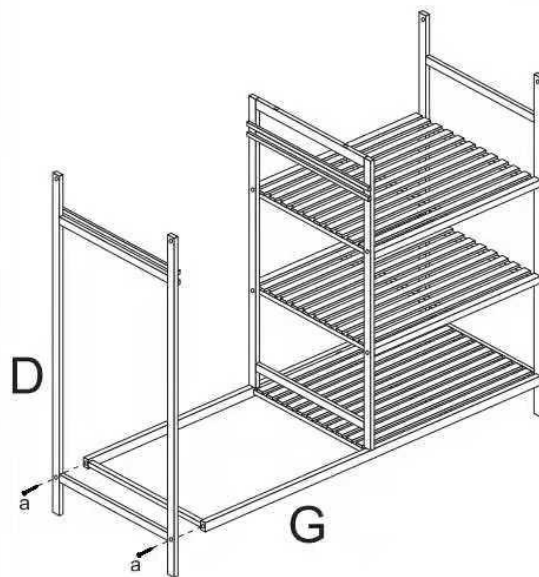
3



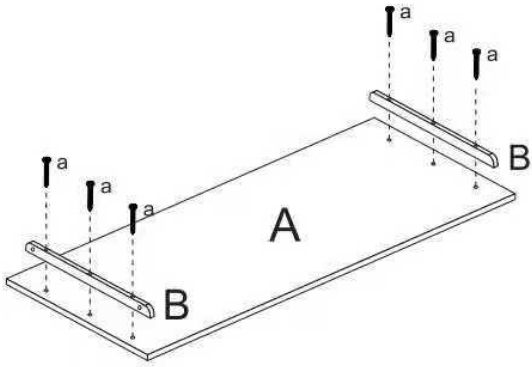
4



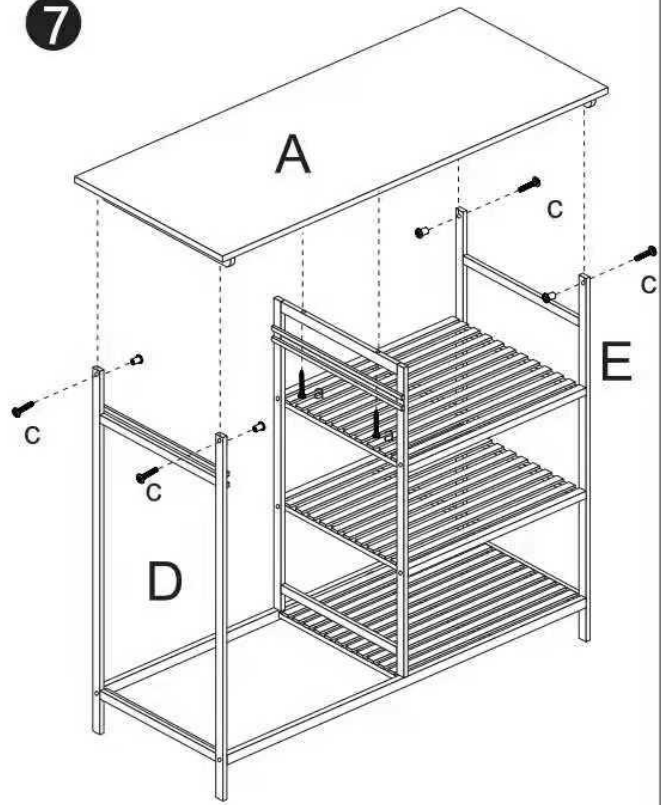
5



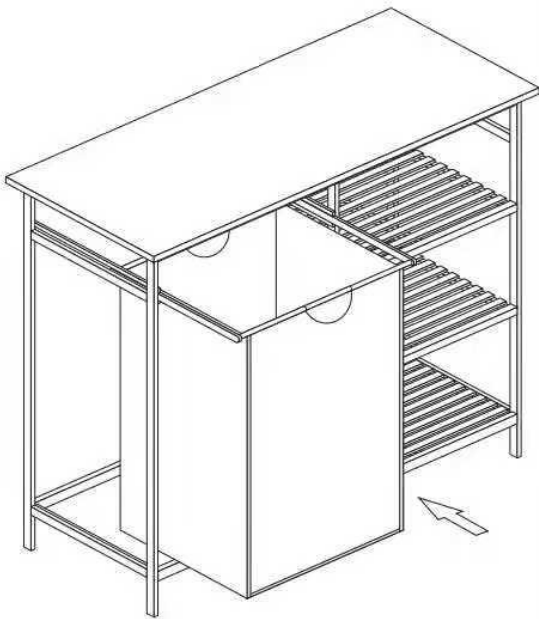
6



7



8



9

