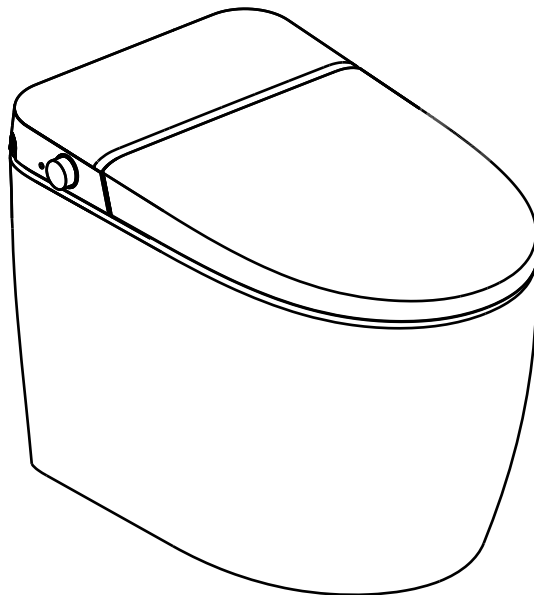


Installation Manual



Smart Toilet with Built-in Bidet

Applicable Model: RX-T11W

INDEX

1. Installation Preparation	P01-09
2. Installation Instruction	P10-15
3. Control Description	P16-19
4. Maintenance	P20-21
5. Trouble Shooting	P22-23



Safety Precautions

To prevent damage to the unit and possible injury to users, please follow the safety warnings. Please be sure to carefully read through the user's manual before installation. Keep the user's manual after installation to refer to for troubleshooting advice.

Symbols And Meanings

 WARNING	Could result in serious injury or death.
---	--

The following symbols are used to indicate important safety precautions when using the product.

	Prohibited.
	Pay close attention; caution.



WARNING



Prohibited

It is not allowed to continue using if the product has some breakdown:
Product heat abnormally;
Product has smoking;
Product has abnormal sound and smell;
Product has leakage, breaking or damage;
Toilet pan is blocked, etc.
When the breakdown happens, if it do not handle in time and continue using, it might trigger the problems like electric shock, injury, firing or water penetration inside the room, etc.

Banana oil, gasoline, putty-powder, nylon brush or other (non-neutral) detergent is not allowed to clean the plastic parts like toilet seat cover, otherwise it might trigger chemical reaction or leakage, damage the product and cause people injury.

Loosen electric outlet is not allowed as it might trigger electric shock or firing.

It is not allowed to pull out and plug in the electric plug by wet hand as it might trigger electric shock or firing.

It is not allowed to touch the electric plug when it is thundering and lighting as it might trigger electric shock.

It is not allowed to use other electric resource, the load of using electric outlet could not be too big, as it might trigger firing due to over-heat.

Detergent, water, wash detergent or urine is not allowed to spot into body and electric outlet, as it might trigger electric shock or firing.

It is not allowed to let child standing or put heavy goods on the seat and cover, toilet pan or seat body, heavy hitting or knocking is not allowed.

It is not allowed to disassemble, repair this product, (it must go for professional repair person service if it is necessary to repair), otherwise, it might cause the damage to this product.

Do not randomly damage the electric plug and electric line, if the electric line, electric plug is damaging, please do not use it any longer or change by oneself, it must be changed by professional person, otherwise, it might trigger short-circuit, electric shock, firing.

If the power cord is not long enough, please do not use a extension cord.

The stove or lighted cigarette is not allowed to be placed next to the toilet pan, cigarette butt etc is not allowed to be thrown into toilet pan.

Do not block the aiopenings of the product. Keep the air openings free of lint, hair, and the like.

Do not use while bathing.

 **WARNING**

When using in shower room, please install air exchange equipment to ensure the airy and drying in the shower room. This product is electric products, it is not allowed to install it in the place that is easy high wet, easy split by water, otherwise it might trigger electric shock or fire.

Please ensure to cut off the electric power before washing this product, do not use water to directly wash this product, otherwise it might trigger the electric shock or fire.

Please put and use this product in the shadow, must not put directly beneath the sun, otherwise it might cause the color-fading, or let the sunlight burn the surface of product due to the instability of temperature.

Do not use industrial water, wastewater, seawater, reclaimed water and other sewage, otherwise it may cause skin inflammation and other problems.

Persons (including children) with physical, perceptual, intellectual disabilities or lack of experience and common sense need to use the product under the guidance or supervision of someone else, or they may cause electric shock, injury or fire.

Please notice the assembly location of electric wiring plug, electric plug should be the water-proof plug. Assembly location of electric plug must be over 0.5m(19.7in) above the floor, and far away from shower, bathtub, otherwise it might cause electricity leakage.



Caution

When installing this product, please remove the old hose assemblies owned by users and install them with new hose assemblies. Do not reuse the old hose assemblies to avoid related safety problems.

The grounding wire of this product must conform to the stipulated construction mode, and the three-level grounding structure must be grounded, otherwise the use of this product is prohibited.

Electric plug need to plug in the electric with air switch.

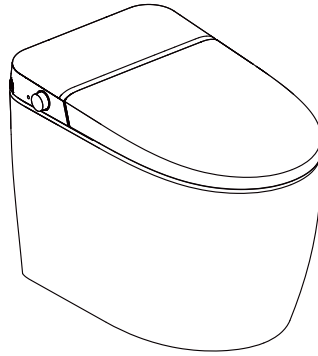
In the same room where this product is installed, a switch of water inlet angle valve needs to be installed at a location within reach. It is used in emergency situations to cut off the waterway of this product without the aid of tools; otherwise, unexpected failures of this product may occur and it will cause user loss.

If you have not used this product for a long time, please close the angle valve, press the water release button to drain the water of ceramic itself and cut off the power; When using the product again, please wash first to prevent water quality problems and skin diseases.

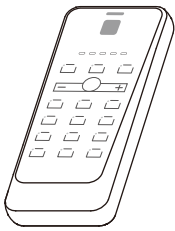
When the outside air temperature is lower than 0°C, in order to prevent water leakage caused by external filter and other accessories likely freezing, please be sure to close the water inlet valve and drain the left water; If pipe has been frozen, please raise the room temperature and wait for pipe normal then use the toilet, otherwise the product may not be used normally.

Components

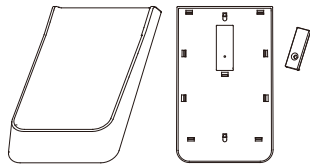
SMART TOILET



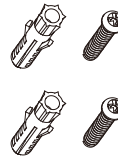
REMOTE CONTROL



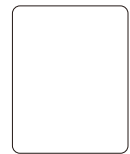
REMOTE CONTROL HOLDER



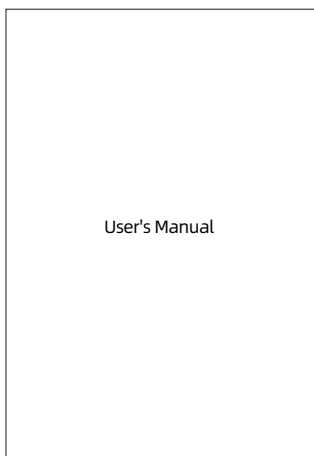
REMOTE EXPANSION SCREW GROUP (EACH 2pcs)



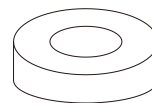
DOUBLE-FACED ADHESIVE TAPE



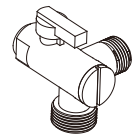
USER'S MANUAL



SEALING RING



INLET VALVE



Specifications

Rated voltage		100-130V~ 50/60Hz			
Power cord length		About 1.2m (48 in)			
Cleaning	Water volume	Rear wash	About 0.5L (0.13 gal)-0.7L (0.18 gal) /min (water pressure 0.2MPa, 3 levels adjustment)		
		Bidet wash			
	Swing		Oscillating cleaning forward and backward		
	Massage		Two options: press once for interval cleaning, press twice for continuous cleaning		
	Water volume /nozzle position		3 levels adjustment		
	Water temperature range		About 68°F-107°F (4 levels adjustment)		
Safety device		Temperature limit circuit, thermostat, thermal fuse			
Drying	Warm wind temperature		About 89°F-134°F (3 levels adjustment)		
	Safety device		Bimetallic thermostat, thermal fuse		
Seat	Surface temperature		4 levels adjustment, room temperature about 107°F		
	Safety device		Thermal fuse		
Self-cleaning	Antibacterial seat/nozzle		Antibacterial material/stainless steel nozzle		
	Automatic nozzle cleaning		Self-cleaning		
	Pre-wetting		Spray a circle of water after sitting		
Deodorization method		Activated carbon deodorant			
Toilet	Flush consumption		4.8 L (1.27 GPF)		
	Flushing mode		Siphon jet		
	Rough-in		305mm (12.0 in)		
Rated power	1100W	Maximum power	1600W	Waterproof level	IPX4
Water supply temperature	39°F-95°F	Ambient temperature	37°F-104°F	Net weight	About 37.3kg (about 82.2 lb)
Dimension	About 680 * 400 * 465 mm (About 26.8 * 15.7 * 18.3 in)	Water supply pressure	Minimum necessary water pressure: 0.15 MPa (over 20L (5.3 gal)/min when flowing) Maximum water pressure: 0.75 MPa (static pressure)		

※1:Rated power: Set the water volume, seat temperature and water temperature to the highest level under the conditions of ambient temperature 68°F±9°F, inlet water static pressure 0.18MPa±0.02MPa, and inlet water temperature 59°F±2°F. Turn on the bidet function, and test the average power within 60 seconds after the temperature of the outlet water stabilizes.

※2:Maximum power: Set the water volume, seat temperature, and water temperature to the highest level under the conditions of an ambient temperature of 73°F±4°F, an inlet static pressure of 0.18MPa±0.02MPa, and an inlet temperature of 41°F±2°F. Turn on the bidet function and continue to work stably at the maximum power for a cleaning cycle.

※3:Water consumption test: Test the water consumption separately under the water pressure 0.16Mpa and 0.55Mpa three times. Get six values in total, then divide the sum by six and the average is the nominal water consumption.

Functions Introduction

Washing function

Rear wash	Cleaning posterior.
Bidet wash	Cleaning feminine body.
Spray position adjustment	Adjust nozzle position to expand cleaning scope.
Water flow adjustment	Adjust water flow rate.
Massage cleaning	The nozzle spray variable intensity water column to massage.
Swing cleaning	Swing back and forth to cleansing most area.

Comfort functions

Seat heated	Heat seat and keep temperature.
Drying	Warm wind to dry the body parts.
Temperature adjustment	Adjust temperature of water , seat or drying.
Deodorization	Auto-deodorize after seated.
Seat sensor	Functions effective after seated.
LED	LED on or off by light.
Prevent the low temperature scald	To prevent scalding users, the seat temperature will decrease automatically after seated 15mins.

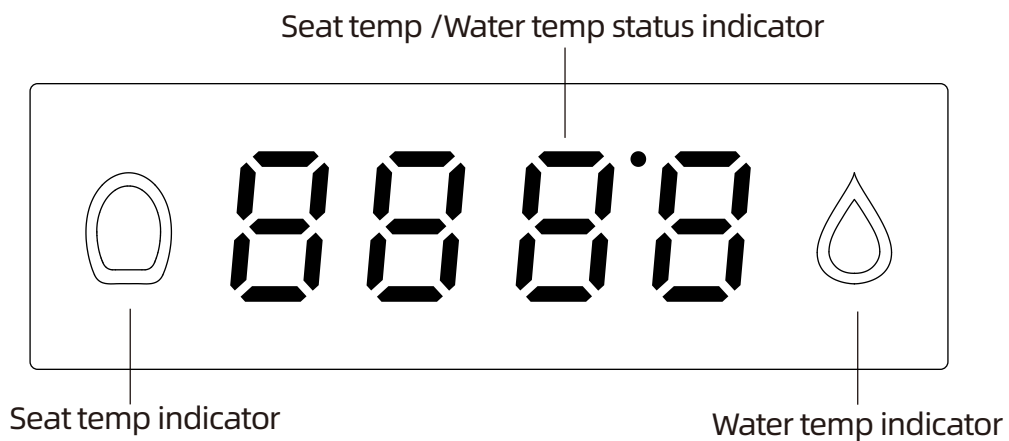
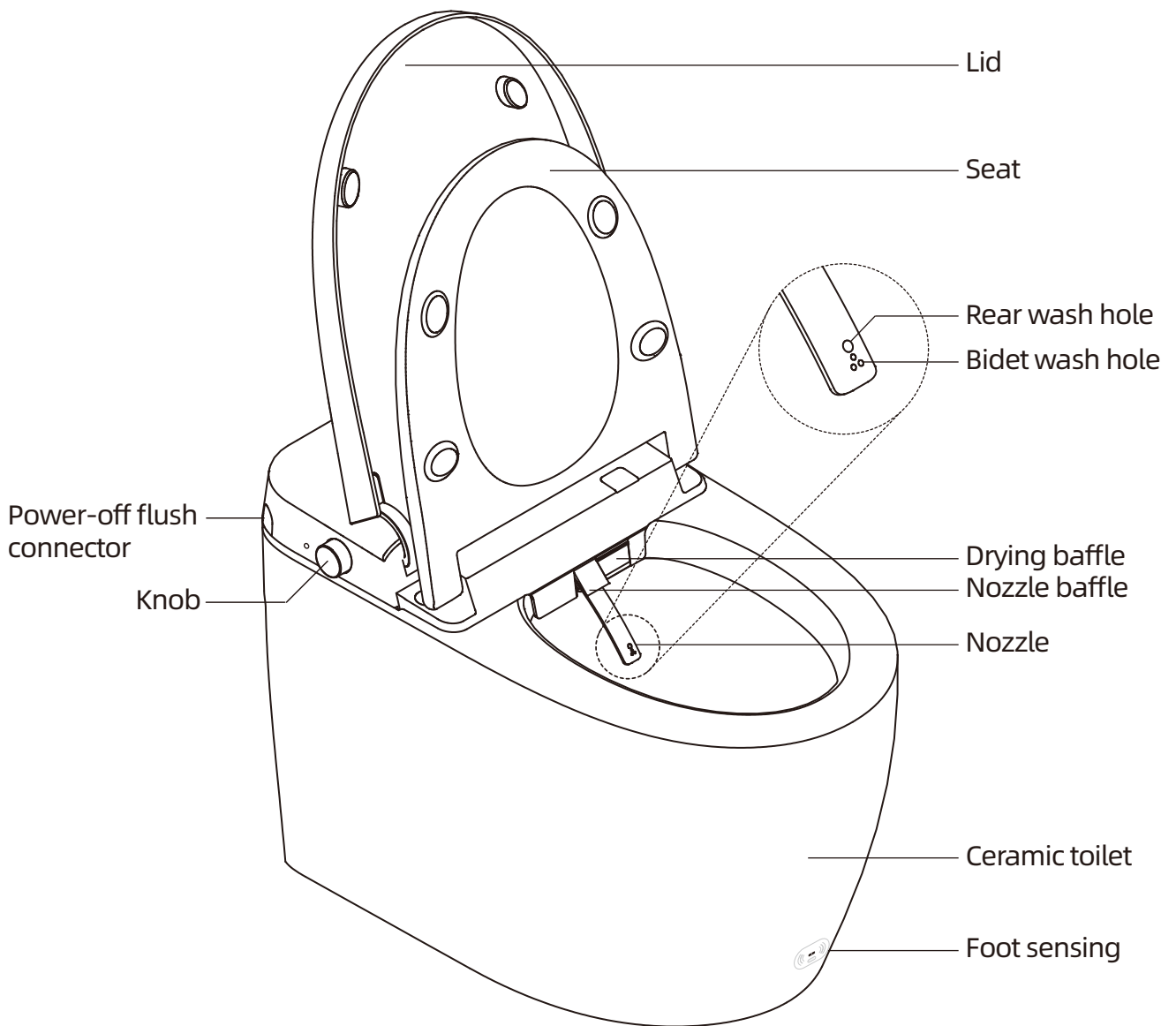
Cleaning function

Anti-bacteria	It's anti-bacterial treated on the parts which is directly touched by users, such as lid and seat.
Nozzle cleaning	Nozzle will be cleaned when it reach out or pull back.
Water emission	Drain the remain water in the toilet to make water cleaner.
Auto-flushing	Under opening status of lid, user can sit after leaving the seat for a while, the toilet will flush automatically.

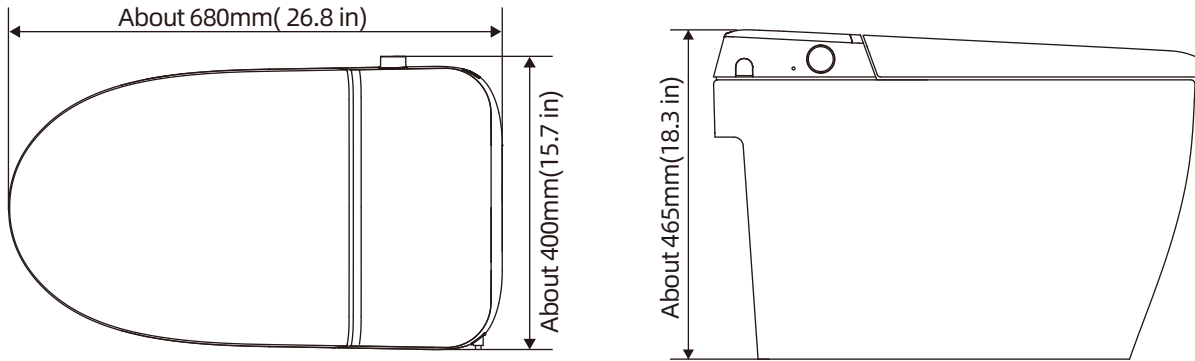
New functions

Pre-wetting	After sitting, a spray of water will be automatically sprayed inside the bowl to achieve anti-fouling effect.
Power outage flushing	Connect to the USB TPYE-C with a power bank to achieve the power off flushing.
ECO	Close some functions and enter energy-saving mode.
Personal setting	You can store your preferred wand positon, water temp, flow and dry temp settings.
Foot sensing induction	Touch the kick sensor(short touch and then leave) to realize the flushing function.

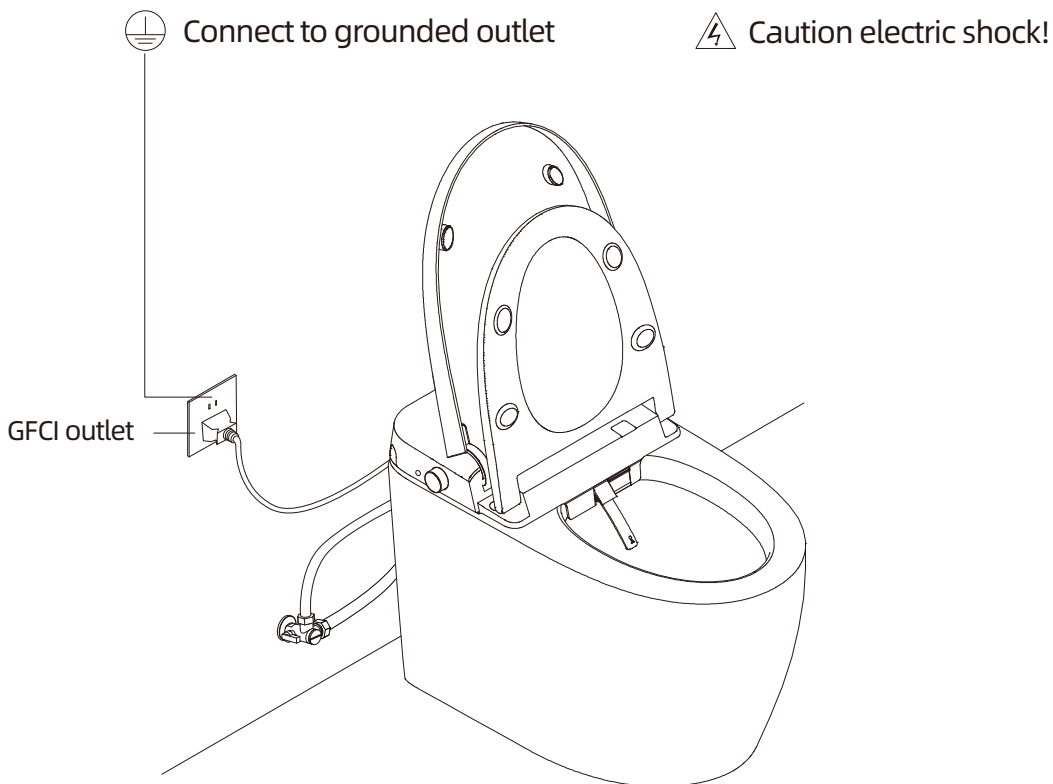
Parts Name



Product Drawings



Power And Water Connection Tip



- ※ If the power cord is not long enough, please do not use a extension cord.
- ※ Only for reference. Bathroom sizes and configurations may vary.

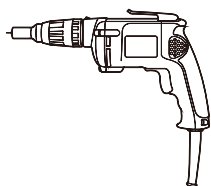
Installation Precaution

- (1) Don't install our product in the room with more than 90%RH humidity (relative humidity).
It is suggested to separate dry space from moist one, such as installing shower rooms or shower curtains.
- (2) Only the specified power supply can be used. (Other power sources may cause product failure or damage).
- (3) Please do not supply water or power before finishing installation.
- (4) Please use wires and waterproof sockets suitable for the power of this product.
- (5) Please install the waterproof socket at a suitable height on the wall.
- (6) The water-supplying pressure should be $1.5\text{kgf/cm}^2 \sim 7.5\text{kgf/cm}^2$ ($0.15\text{MPa} \sim 0.75\text{MPa}$) .
The toilet cannot reach full cleaning functionality if the water pressure cannot reach 0.15MPa .
- (7) The water-supplying temperature should be $39.2^\circ\text{F} \sim 95^\circ\text{F}$.

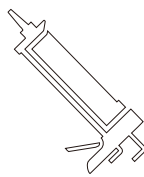
Notice:

Please remove the dirty water from the pipe before installation. Residual sediment and other debris may jam in the pipeline if it is the newly decorated house, which may cause damage to the machine and affect the health of the human body.

Installation Tools



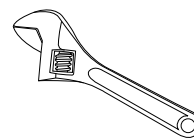
Percussion Drill



Glue gun



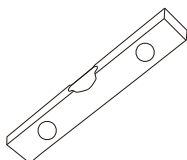
Tape



Adjustable Wrench



Pliers



Gradienter



Steel saw



Knife



Screwdriver

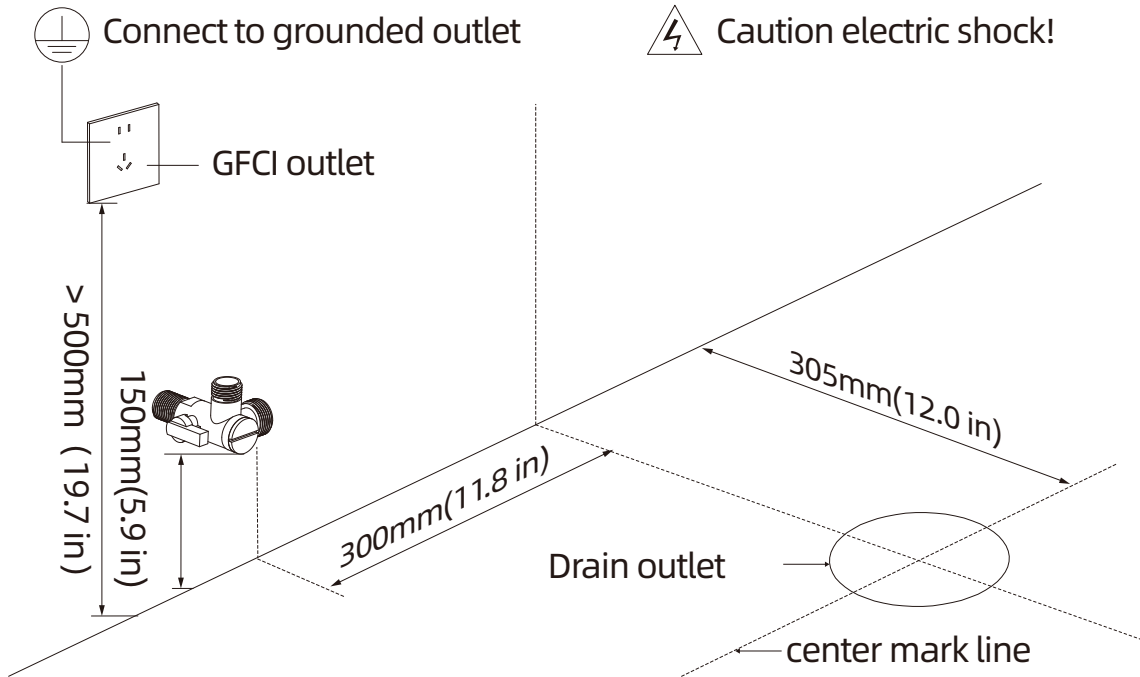


pencil

Product Installation

1. Install the water inlet valve

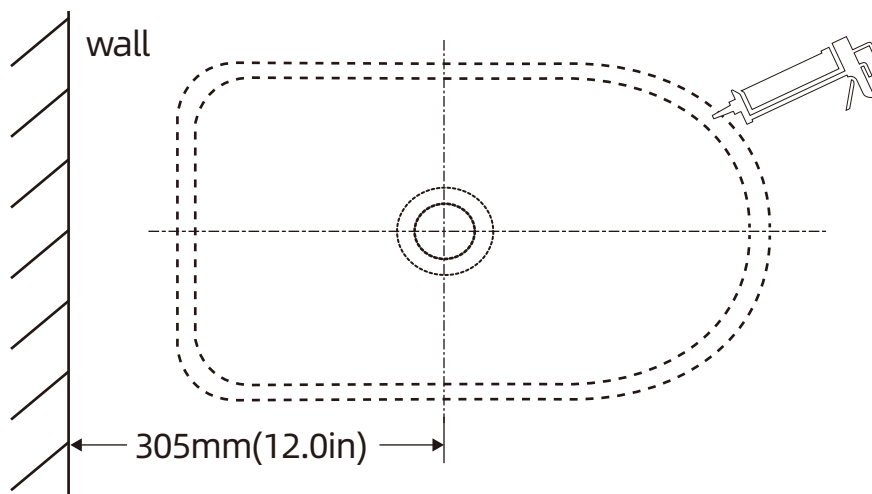
Clean the ground and dry the water before installation. Mark the central lines of the draining outlet, and install the inlet valve on the wall.



2. Mark the curve of ceramics

Align the drain hole of ceramic with the central line. Mark the curve of ceramics for later installation.

Glass cement application: Glue the outline with glass cement to install the toilet.



Product Installation

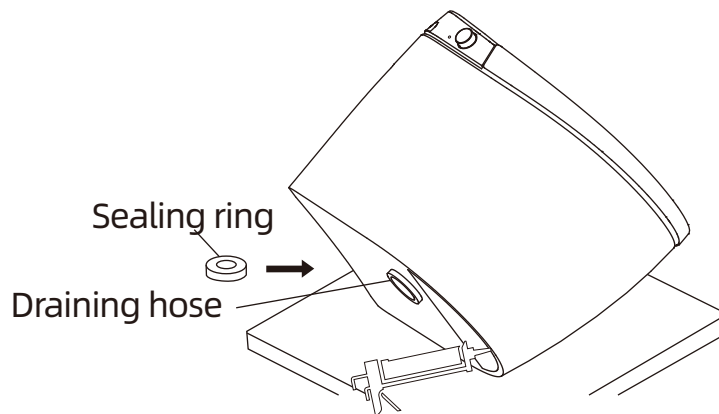
3.Toilet installation(Method 1)

① Sealing ring installation

Gently tilt the toilet sideways until it rests on the side surface.

Install the sealing ring evenly along the outlet, and the small end of the sealing ring facing the toilet.

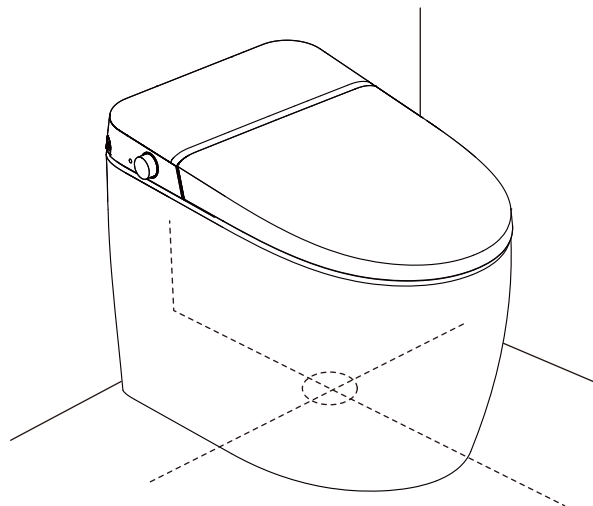
Glue the edge of toilet bottom with glass cement, place the toilet base along the out-line and position the toilet base.



② Toilet (ceramic) installation

Lift the toilet, take the floor drain as a reference, align the ceramic body of the toilet with the ceramic contour line drawn on the ground, and slowly put the ceramic on the ground so that the two marks overlap. After overlapping, press the ceramic down (can be pressed by the weight of the human body) so that the sealing ring fully contacts the ground.

※Do not move the ceramic or shake it left and right after the marks are overlapped, otherwise the seal produced by the sealing ring may be damaged and cause water leakage.

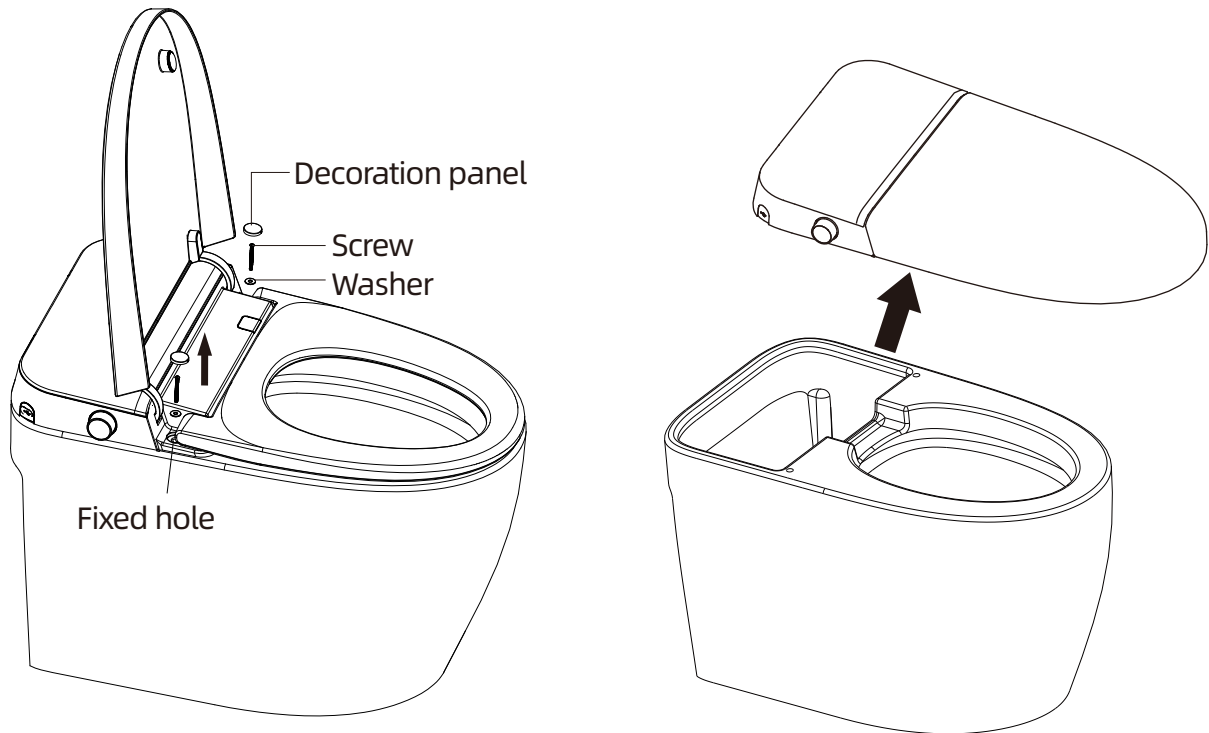


Product Installation

4.Toilet installation(Method 2)

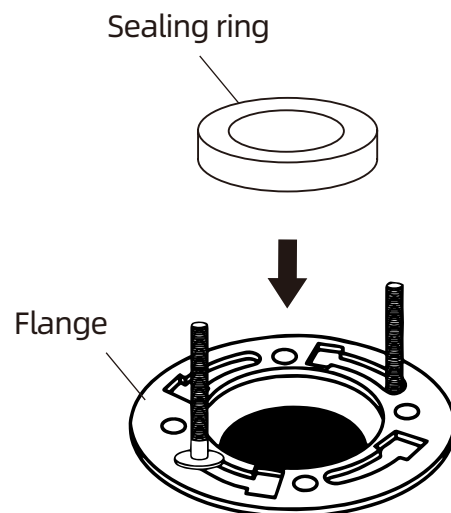
① Remove the bidet seat

Remove the fixing screws of the toilet; remove the connecting pipes and wires of the toilet, separate the bidet seat from the toilet.



② Sealing ring installation

Place the sealing ring on to the flange.



Product Installation

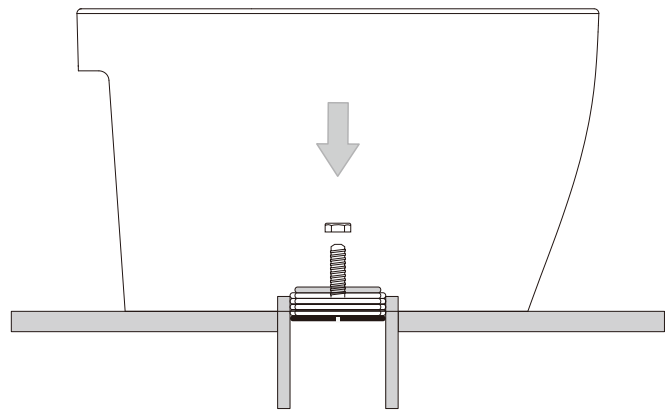
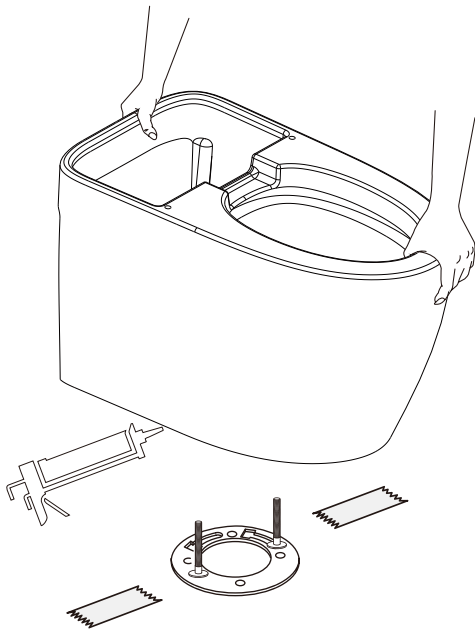
③ Ceramic installation

Glue the edge of toilet bottom with glass cement.

Line up the toilet base over the flange screws.

Place the toilet base and secure the flange bolts.

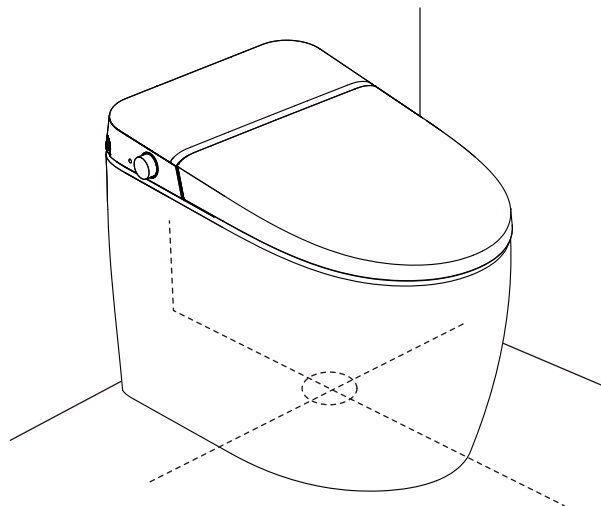
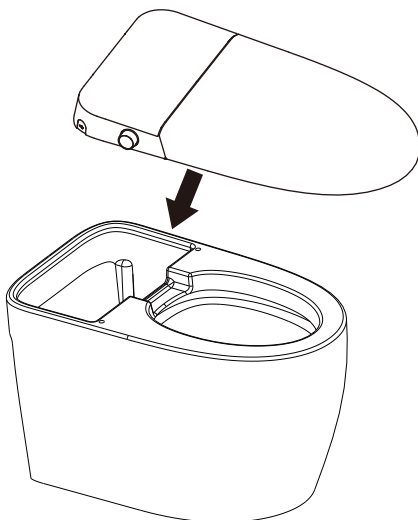
Glue the edge of toilet bottom with glass cement, place the toilet base along the outline and position the toilet base.



④ Bidet seat installation

Attach the connecting pipes and wires of the toilet, adjust the bidet seat to match the toilet, use the screws to fix the bidet seat on the toilet.

Pay attention to the tightness of the pipes connection.



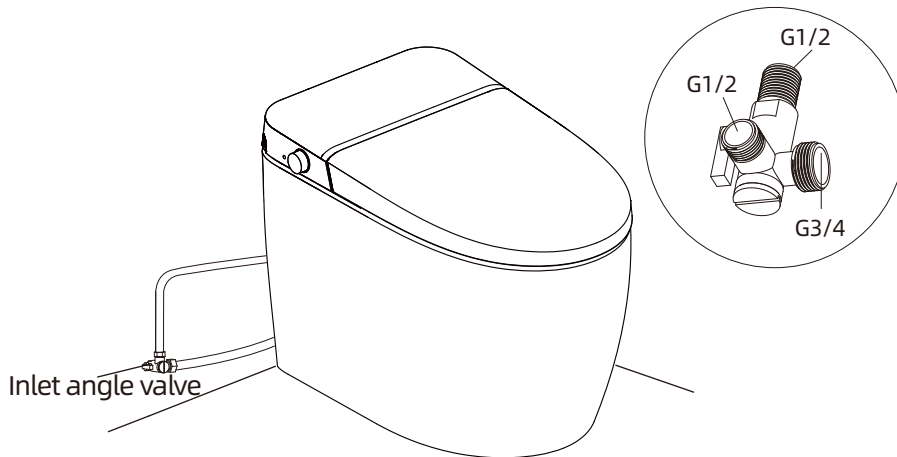
Product Installation

5. Connection of water inlet valve

Connect the water inlet braided pipe to the water inlet angle valve;

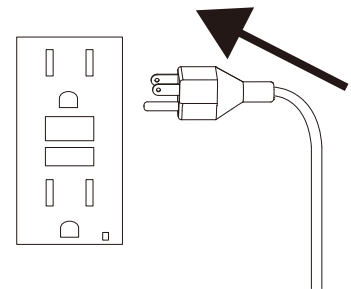
NOTE:

Clean the floor and tools, do not use the toilet immediately, it takes 48 hours to cure and keep the toilet dry.



6. Connect to power

Connect the electricity plug with protection unit. Press the power switch, the light turns on, power is on, and hear the buzzer calls.



7. Using the product for the first time (Check every function button of the remote control, manual flushing and side button function is normal.)

① Open the water supply valve, connect to the power plug.

Check that every function of product is normal, such as rear/bidet wash, dry, flow adjustment, water temp adjustment, massage cleaning, swing cleaning, LED, seat heated adjustment, etc.

② Rear/bidet wash performance test.

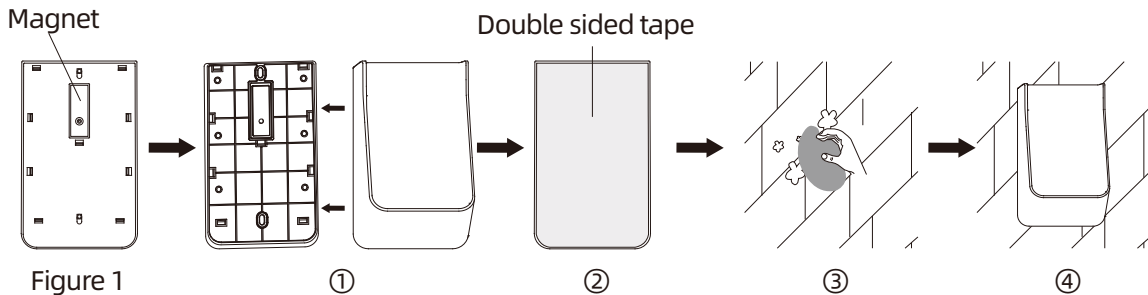
Press the seat sensor with hand to check if the nozzle works or not.

※ Notes: Open the water supply valve and connect to the power plug. When using the product for the first time, press the rear/bidet wash button in the remote control or knob. If the toilet doesn't work, it may be lack of water or seat sensor blocked.

Instructions For Remote Control Installation

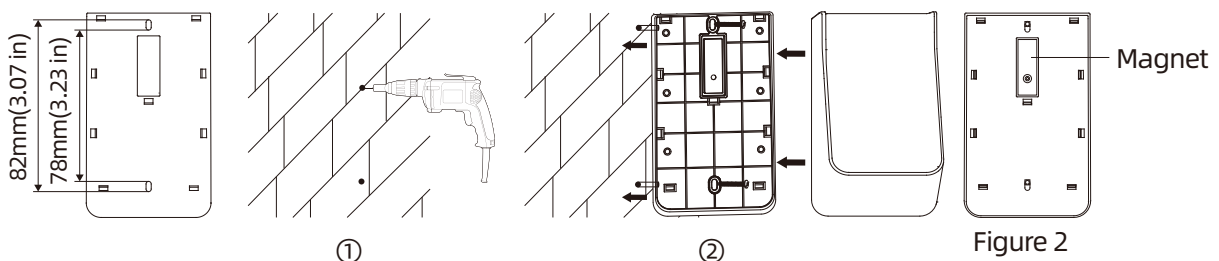
Method 1:

- ① Install the remote control fixing panel with a magnet on the remote control fixed seat and lock tightly.
Note: Pay attention to the polarity when installing the magnet. Place the larger side of the magnet hole outside the fixed panel and enclose the small hole surface inside the fixed panel, as shown in the below figure 1.
- ② Put the double sided tape on the remote control fixed seat.
- ③ Clean dust, grease, water droplets on the walls and wipe them clean.
- ④ Press the remote control fixed seat with double sided tape on it. Press it evenly for 3 to 5 minutes.
Attach the remote control fixed seat to the wall.
Note: The method is applicable to glazed tiles, glass and smooth wall.

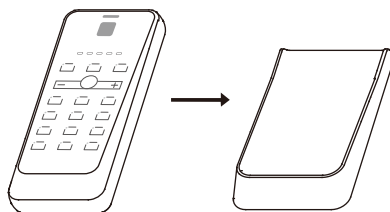


Method 2:

- ① Drill two holes, the hole distance is 78mm(3.07 in)-82mm(3.23 in) length and 22mm(0.87 in) depth on the wall by the drill with the diameter of 6mm(0.24 in).
Note: the position of the hole shall be satisfied for user to get the remote control conveniently when sitting on the seat.
- ② After installing, the expansion plug in the wall shall align the fixing hole of the remote control and then lock the bolt. Install the remote control fixing panel with a magnet on the remote control fixed seat and lock tightly.
Note: pay attention to the polarity when installing the magnet. Place the larger side of the magnet hole outside the fixed panel and enclose the small hole surface inside the fixed panel; as shown in the below figure 2.



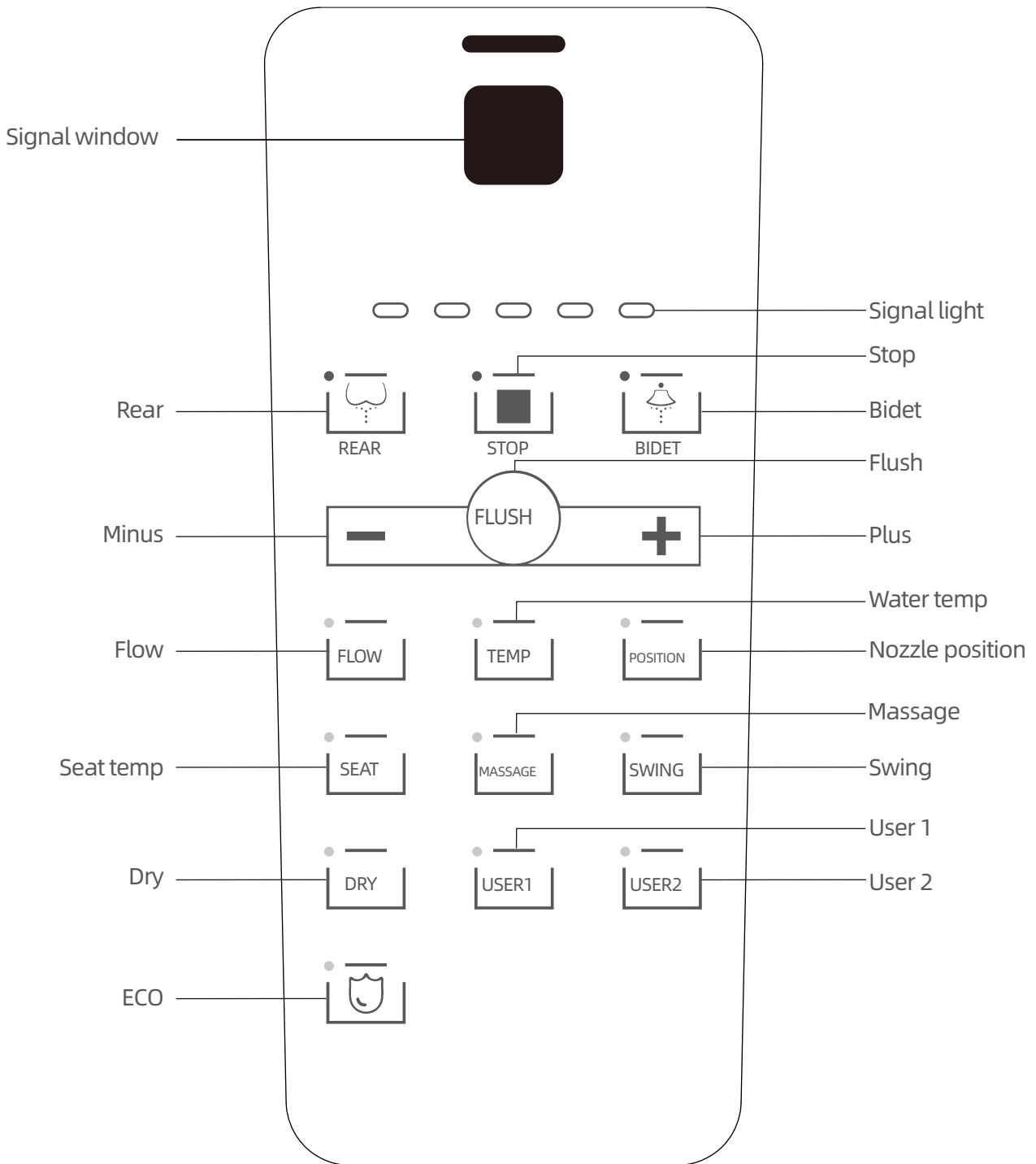
Put the remote control on the fixed base after installing the battery, and the remote control can automatically absorb on the fixed base.



NOTE:

- ※ Please place the remote control on the fixed place if not use. (To avoid the remote control falling down)
- ※ It may cause damage if the remote control falls down.
- ※ Please do not spill water on the remote control or drop into the water, or it may cause damage.

Remote Control Panel Overview



Remote control alignment: After the product is connected to the power supply, the remote control alignment operation can be carried out within 1 minute from the buzzer call.

※ At the same time, press the "User 1" and "User 2" buttons on the remote control. After 3 seconds, the "rear wash/bidet wash/stop" three buttons flicker at the same time, press the "plus" to increase. Select the required level, press the "stop" button, buzzer calls, then the code is successful, then the remote control can only control the product; buzzer calls two times, represents code failure;

※ If you want to cancel the alignment, press the "User 1" and "User 2" buttons on the remote control at the same time. After 3 seconds, the "rear wash/bidet wash/stop" buttons flicker at the same time. You can cancel the code by pressing the stop key directly.

Using Instructions



STOP

Press the button, all functions off.



REAR

Press the button, rear spray function turns on, auto off after 2 mins or off by pressing the stop button.

Function will stop if user leaves.



BIDET

Press the button, bidet/front spray function turns on, auto off after 2 mins or off by pressing the stop button.

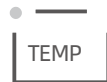
Function will stop if user leaves.



FLOW ADJUSTMENT

Under rear/bidet wash mode, the water flow is settled on normal level(initial level is in the medium).

Press "FLOW" button to start the flow adjustment, and press plus button to increase flow, press minus button to decrease flow. Total 3 levels, and corresponding indicator will on under different level.



WATER TEMP SETTING

Under rear/bidet wash mode, initial level is in the medium.

Press "TEMP" button to start the water temp, and press plus button to increase water temp, press minus button to decrease water temp, total 3 levels, and corresponding indicator will on under different level.



NOZZLE POSITION ADJUSTMENT

Under rear/bidet wash mode, initial level is in the medium.

Press "POSITION" button to start the position adjustment, and press plus button to forward the nozzle position, press minus button to backward the nozzle position. Total 3 levels, and corresponding indicator will on under different level.



SEAT TEMP ADJUSTMENT

Seat heated after sitting, heat preservation after reaching the set temp. The initial level is in the medium. Press "SEAT" button to start the seat temp, and press plus button to increase the seat temperature, press minus button to decrease the seat temperature. Total 3 levels(including neutral), and corresponding indicator will on under different level.



MASSAGE

During rear/bidet wash mode, press the "Massage" button, function will start after a beep.

1. Interval massage mode: The nozzle sprays with varying pressure.

2. Powerful massage mode: The nozzle sprays pressurized water.

Remark:

The Massage cycle order is interval massage > powerful massage > regular cleaning.



SWING

During rear/bidet wash mode, press the "Swing" button, function will start after a beep. During swing function, the nozzle will oscillate back and forth. Press the "Swing" button again to stop swing function. Pressing the "Stop" button will stop all cleaning functions.

Using Instructions



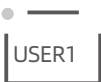
FLUSH

Press "flush" button to activate flushing.



DRY

Press the button, drying function turns on. (Initial level is in the medium. Press plus button to increase warm dry temp. Press minus button to decrease warm dry temp, total 3 levels, and corresponding indicator will on under different level) Auto off after 2 mins or off by pressing the stop button.
Function will stop if user leaves.



PERSONAL SETTING USER1/PERSONAL SETTING USER 2

Under rear/bidet wash mode, you can set your preferred water temp, wand position, flow and warm dry temp. While cleaning is in progress, set your preferred water temp, flow, wand position and warm dry temp, and then press and hold (User1) or (User2) for 2 seconds or longer. After (User1) or (User2) is pressed, please push the button used for rear/bidet wash.



ECO

Press the button to enter energy saving mode.

Under energy saving mode, seat temperature is low(level 1) to achieve energy saving; only the power indicator light on the display is on, others are off.

Remark:

※Energy saving mode will be suspended and goes to function mode if someone uses the seat in the middle of energy saving.

※Seat temperature returns to the level which is settled, the display lights up normally.

※The energy saving mode is restored after the human body leaves the seat.

COMBINATION FUNCTION KEYS

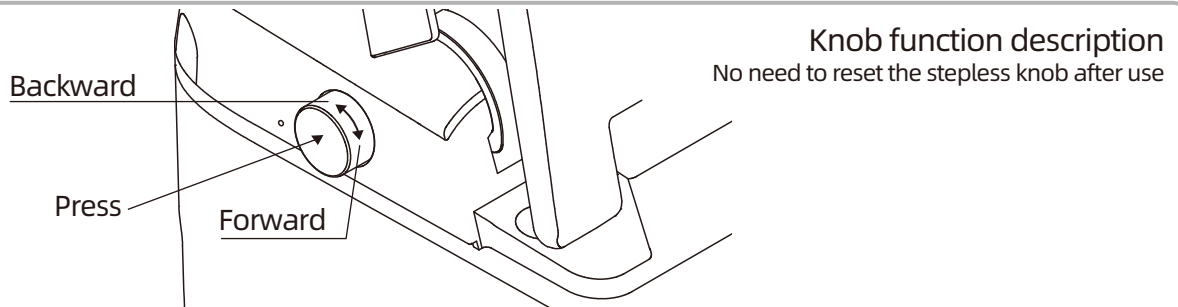
STOP + REAR : Long press for 5 seconds to activate or deactivate the powerful deodorizing function.

STOP + BIDET : Long press for 5 seconds to activate or deactivate the night light function.

FLUSH + REAR: Long press for 5 seconds to activate or deactivate the pre-wetting.

REAR+ BIDET : Long press for 5 seconds to activate or deactivate the automatic nozzle cleaning .

Knob Function Description



■ Sitting

- Bidet wash: Knob forward, spray bar extend, bidet wash works about 2 minutes.
- Rear wash: Knob backward, spray bar extend, rear wash works about 2 minutes.
- Nozzle position: Under bidet/rear wash, knob forward or backward to adjust nozzle position.
- Stop: Under bidet/rear wash, press the knob to stop current working function.
- Drying: Without any function working, long press the knob for 2 seconds to start drying; Knob forward to make the wind temp higher, knob backward to make the wind temp lower.
- Flush: Without any function working, press the knob to flush.

■ Not sitting

- Press the knob to flush.
- Long press the knob for 5 seconds to start or close the knob indicator.

■ Foot sensing

- Touch the kick sensor(short touch and then leave) to realize the flushing function.

Cleaning

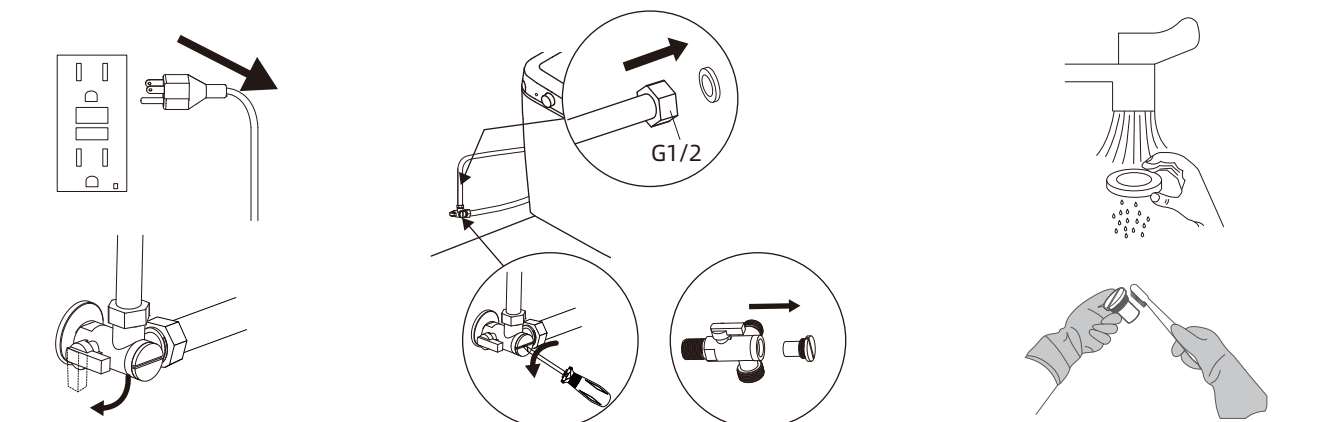
Maintenance and cleaning of lid and seat.

1. Disconnect the power, turn off tee valve.
2. In case of using a mixture of washing agent and water as well as any available solution for seat cleaning, use soft and wet sponge or cloth to clean the seat. Use a soft towel to make the seat dry, or let it dry naturally.
 - ※The product is an electric appliance. Be careful not to allow water to get inside or leave detergent in the gap between the top unit and the bowl unit. Doing so could damage or malfunction.
 - ※Avoid using materials that will damage the surface-clean the surface with a soft and wet sponge or cotton cloth, instead of materials that can damage the surface.
 - ※Corrosive chemicals or cosmetics (such as cleaners containing abrasive compounds and after-shave) should not come in contact with the seat as this will damage the surface.
3. Connect the power, turn off tee valve.

Maintenance and cleaning of the bowl.

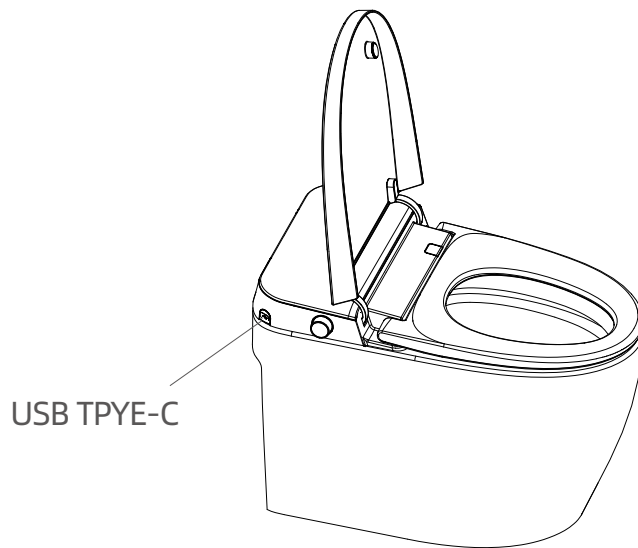
1. Disconnect the power.
2. The bowl unit can be cleaned with a toilet brush, toilet detergent or a similar tool.
 - ※Corrosive chemicals (such as cleaners containing abrasive compounds and strongly acidic cleaners or strong alkaline cleaners) should not wash the bowl as this will damage the surface of bowl.
 - ※Wire brush and abrasive nylon scrubbing brush should not wash the bowl as this will damage the surface of bowl.
 - ※Do not use any water repellent, stain-proofing cleaner or surface coating agent.
3. Connect the power.
 - ※Notice: If the bowl unit is clogged, use commercially available tools that are made for unclogging toilet.

Cleaning The Water Filter

- 
- ① Unplug the product. Shutoff water supply.
 - ② Remove the water-inflow filter from the inlet hose.
 - ③ Take out the filter by using a flat-blade screwdriver to unscrew the filter .
 - ④ Remove the filter screen and rinse it with clean water.
 - ⑤ Install the filter screen as it is, be sure to tighten it, otherwise it will cause water leakage.

Measures For Special Cases

When the toilet can't be flushed automatically due to power interruption.



When the power is off, connect to the USB TPYE-C with a power bank to achieve the power off flushing.

When the toilet can't be flushed automatically due to water interruption.

- ① Flush away the sewage in the toilet by a special basin for taking in water.
- ② After water flushing, water level is lowered and water is added to avoid stink.

Notice:

When the toilet can't be flushed automatically due to water interruption.

After long term idle condition, make sure to wash it for several times and the inner pipelines are cleaned before use.

Maintenance in case of long-term idle status

- ① Disconnect the power plug, and turn off the tee valve, unscrew inlet hose. Exhaust the water inside inlet hose.
- ② Press the release button of the product, exhaust the water inside the toilet.

Trouble Shooting

Phenomenon	Reasons	Measures
The product out of work	Whether the power supply is plugged in.	Insert the plug or detect the power socket.
	Power failure.	Wait until the power is restored.
	The leakage protector is disconnected.	Insert the plug the power socket, press reset button on the plug.
<ul style="list-style-type: none"> ▶ Rear cleaning ▶ Bidet cleaning ▶ Dry The toilet does not flush even when the button is pressed.	The wand extends but water does not come out.	Has a water failure occurred? Press the "stop" button and wait until the water failure is over.
	The cleaning water pressure is weak.	Is the water supply valve close ? turn on the tee valve.
		Is the water filter drain valve clogged with foreign matter? Clean or replace the filter.
	Low water temperature setting	Use the water temperature keys on the remote control to adjust the cleaning water temperature.
	The seat sensor may have difficulty detecting some sitting posture.	Sit back on the toilet seat.
The nozzle stops cleaning suddenly.	If the user moves too fast or leaves the seat, the seat sensor cannot detect in short time.	Sit back on the seat sensor detection position, then start the relevant button.
Low water pressure when rear/bidet wash.	Filtration screen of inlet angle valve may be blocked	Clean or replace the filter.
	The water-inflow hose may leakage	Check the hose and tighten it.
Deodorization effect is not obvious.	The seat sensor does not sense someone sitting (no deodorizing sound)	Sit back on the seat sensor detection position.
	Activated carbon filter block or spacer may be blocked.	Remove the deodorizing window to clean or replace the activated carbon filter.
Deodorant function continues to work after user leaves.	The deodorant function will be continue to work for 20 seconds in order to remove the residual odor after the use leaves.	It's common phenomenon.
Water comes out unexpectedly from the wand.	Abnormal operation	Disconnect the power plug and wait about 1 minutes before inserting it again.
Water comes out unexpectedly from the inlet hose.	the inlet hose may damage	Replace the inlet hose.
The toilet seat does not get warm.	The seat sensor may have difficulty detecting some sitting postures.	Sit back on the toilet seat.
	The toilet seat temperature set a low level.	Use the remote control to adjust seat temperature.

Trouble Shooting

Phenomenon	Reasons	Measures
The dry temperature is not enough.	Lower dry temperature is set.	Use the remote control to adjust dry temperature.
The toilet does not flush when the button is pressed.	Water is not available from the water supply.	Use a bucket full of water to flush.
	The water supply valve is not fully open.	Check the tee valve.
Waste material does not flush down completely.	The water supply valve is not fully open.	Check the tee valve.
	The water filter is clogged.	Clean the filter.
	The water supply to the toilet may disrupted by other running water fixtures.	Cease using other fixtures and then flush the toilet.
	Flushing may be difficult due to the consistency of the waste material.	Flush the toilet again. If the bowl is not cleaned with a flushing remove the stains with a brush or similar instrument.
There is residue on the bowl unit surface.	Oil and other hard-to -see grime may stick to the bowl unit surface.	Clean the bowl with a non-abrasive toilet detergent.
The toilet does not flush when water pressure is normal.	Flushing valve failure.	Please professional maintenance personnel should be checked and maintained.
The remote control fail to control the toilet.	Lower battery	Replace with new batteries.
	Battery polarties are mounted reversely.	Reinstall properly.
	The remote control is too far from the toilet.	Get close to the toilet.
	The remote control transmitter or the top unit receiver may be blocked.	Remove obstructions,dirt,water droplets or any other blockages.
LED.	The indoor light is too bright.	Please turn off the indoor light and close the curtain.
The top unit is unstable.	There is clearance between the toilet seat cushion and the bowl.	It's common phenomenon.
Water is leaking from the plumbing connections	nuts in a connection are loose.	Tighten them with a tool such as monkey wrench.
	The water leak does not stop.	Close the water supply valve and seek repair.
A strange sound tis emitted from the top unit.	when user sit on the toilet seat,the seat switch turns on.a click sound is heard.	It's common phenomenon.

※Notice:

If you are in trouble, please read the above troubleshooting and repair the product according to the instruction of the solution. If the problem is not in the common troubleshooting, please contact the professionals, dealers, or call the national unified service hotline to ask for help.

Please note that there will be no any notification if any changes to this product and also accessories. There may be differences between contents and material objects, please subject to the latter one.