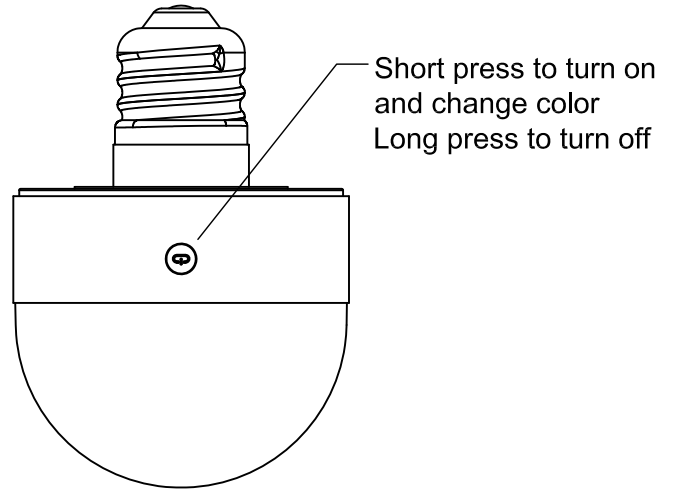
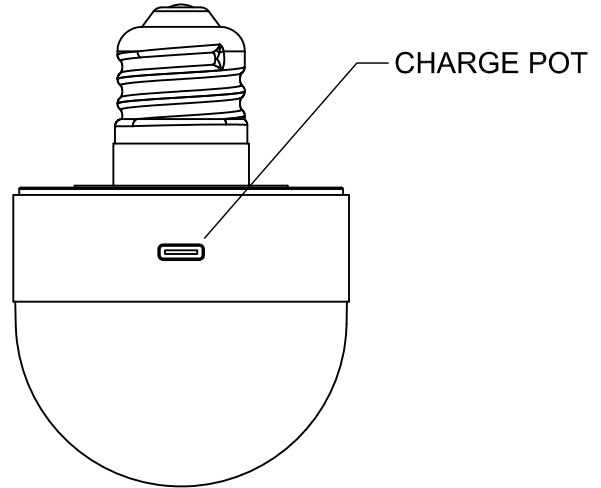


LED Remote Control



Package Contents

- Rechargeable tri-colour LED Remote Control Timer Bulb
- Lamp holder
- Remote Controller
- Charging Cable
- User Manual

Product Features

- Color Changing: Supports 3000/4000/6000K color temperature.
- Remote Control: Easy to adjust brightness, color, and mode from a distance.
- Timer Function: Set the light to turn off at specific times.
- Rechargeable Battery: Environmentally friendly with long battery life.

Specifications

- Charging Voltage: DC5V
- Power Consumption: 5W
- Luminous Flux: 400 lumens
- Battery Capacity: 2000 mAh
- Charging Time: Approximately 2~4H
- Operating Temperature: -20°C to +40°C
- Service Life: Up to 50,000 hours

Quick Start Guide

1. Charging the Bulb:

- Connect the charging cable to the bulb and plug it into a USB power source.
- The indicator light will turn red during charging and green when fully charged.

2. Installation:

- Screw the bulb into a standard socket.
- Remove the plug and use the bottom magnet to attach it to any magnetic metal.
- Remove the plug and place it on any flat desktop

3. Using the Remote Control:

- Use the buttons to adjust the color, brightness, and set timers.
- For more advanced settings, refer to the detailed instructions below.

Detailed Operation

- **Color Adjustment:** Tap the color Icon to select your preferred color.
- **Brightness Adjustment:** Use the '+' and '-' buttons to increase or decrease brightness.
- **Setting Timers:** Select the desired time and press the corresponding button.
- **Memory Function:** The bulb remembers the last used settings upon turning on again.

Troubleshooting

- **Bulb Does Not Turn On:**
 - Check if the bulb is properly installed and the power is on.
 - Ensure the battery is charged.
- **Remote Not Working:**
 - Replace the batteries in the remote control.
 - Try resetting the remote by removing the batteries for a few minutes and reinserting them.
 - Make sure you are within the operating range of the remote (up to 5 meters).
 - Ensure that there are no obstructions or strong current interferences between the remote control and the light bulb.

Warranty Information

- This product comes with a 3 years warranty.
- For warranty claims, please contact our customer support with your purchase receipt and details of the issue.

Disposal

- This product contains batteries, please do not dispose of them at will to avoid polluting the environment.
- Please dispose of this product responsibly according to local regulations.