



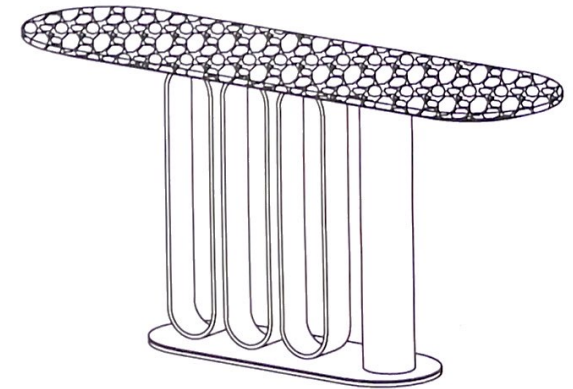
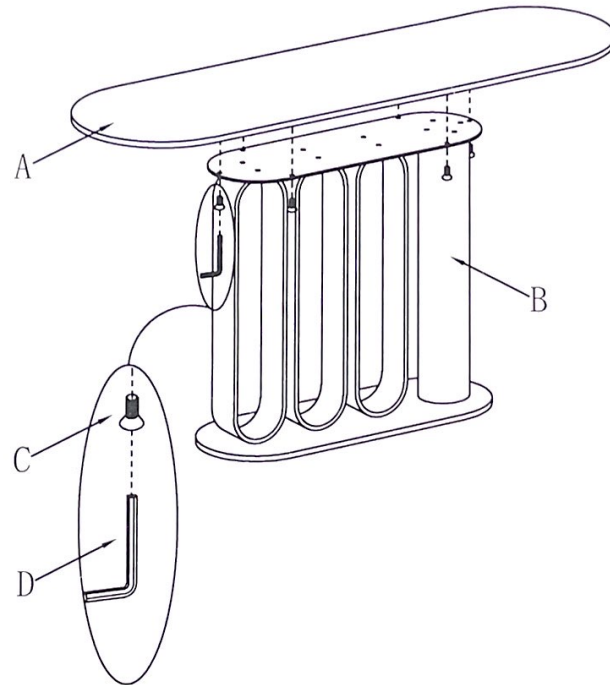
Assembly Instructions

DT910



Parts

NO.	Picture	Description	Size	QTY
A		Marble	1500*450*36mm	1
B		Table base	800*300*710mm	1

STEP:1



Hardware

NO.	Picture	Description	Size	QTY
C		bolt	M8*20mm	7
D		Allen key	M8	1

Overall Size: 1500*450*750mm