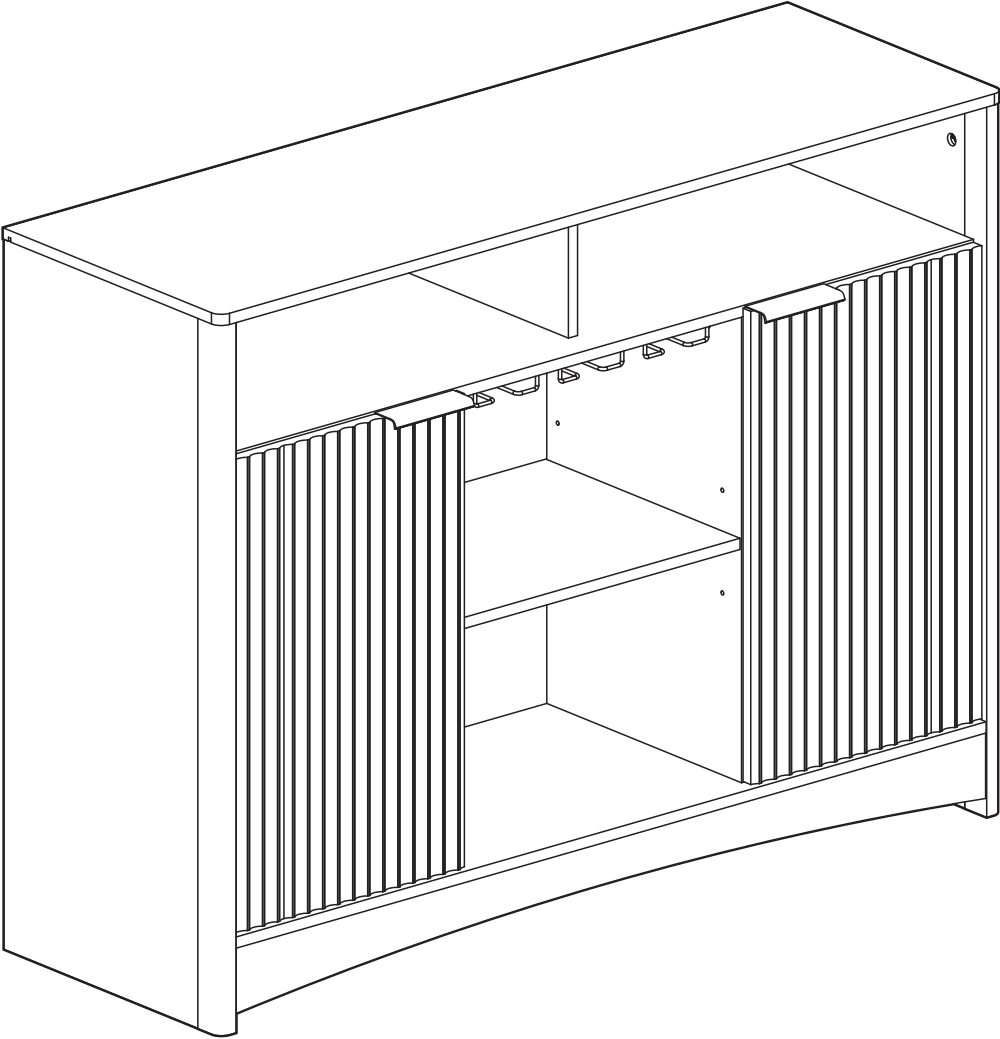
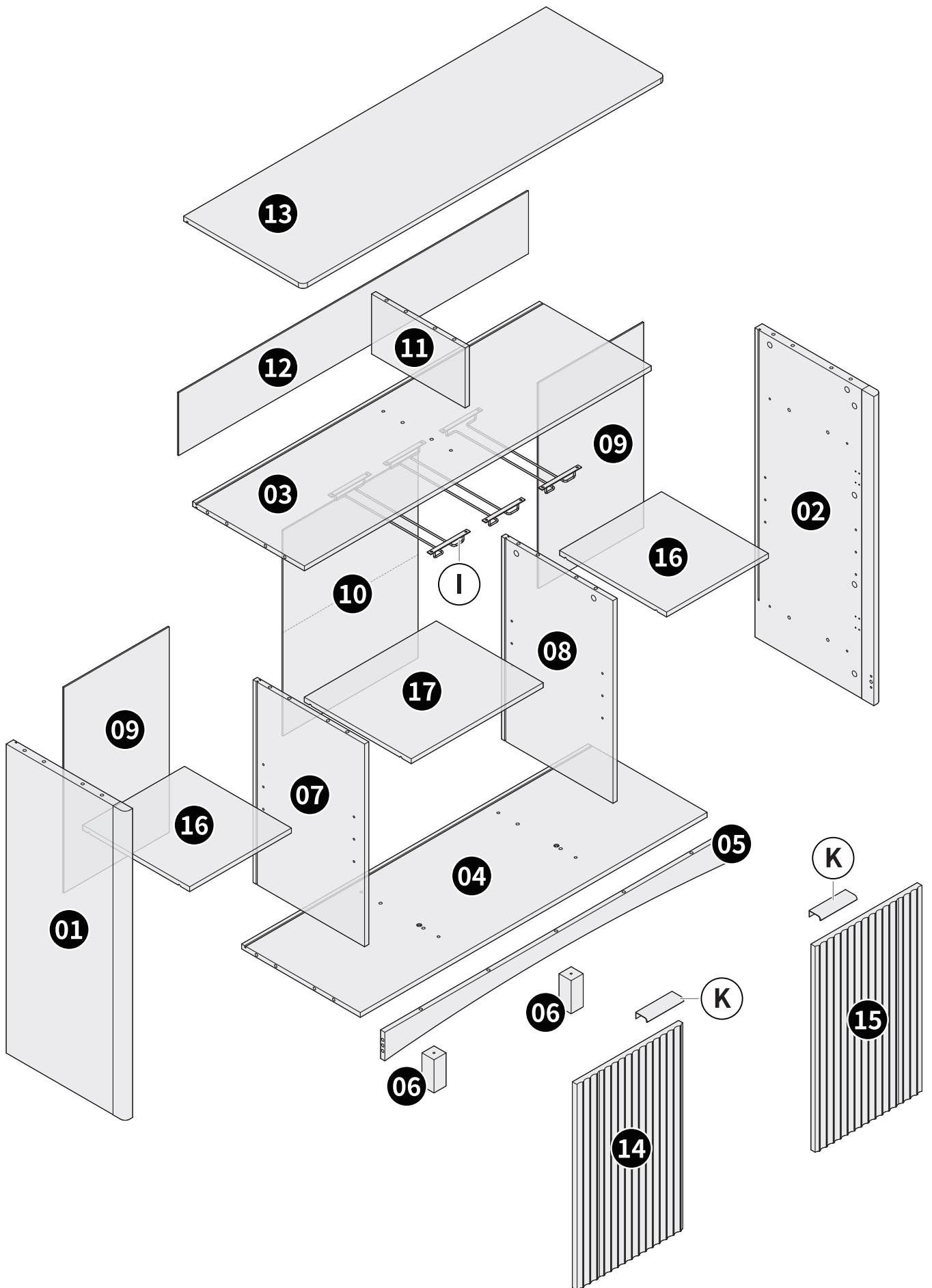
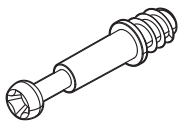
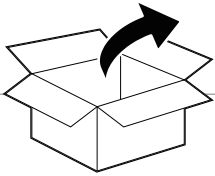
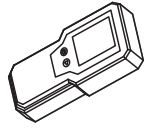
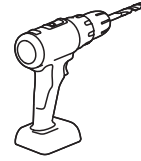
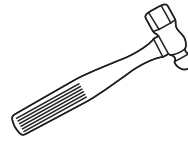
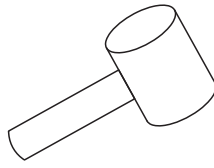
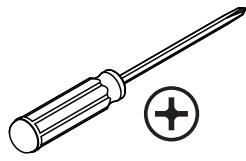
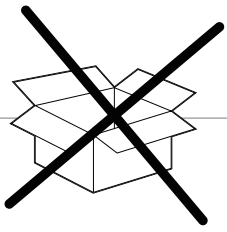


# INSTALLATION & ASSEMBLY

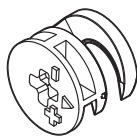






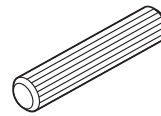
Ø6 x 35mm

**A** x 25



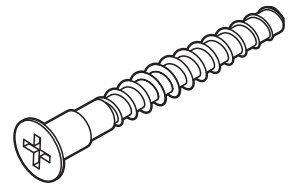
Ø15 x 11mm

**B** x 25



Ø8 x 30mm

**C** x 28



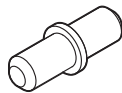
Ø6 x 50mm

**D** x 8



Ø3.5 x 15mm

**E** x 24



**F** x 12

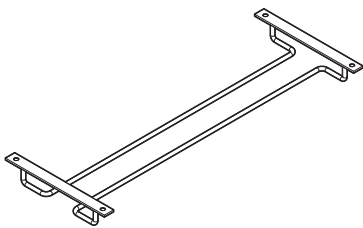


**G** x 26

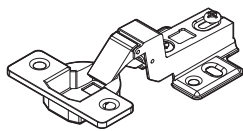


Ø3 x 17mm

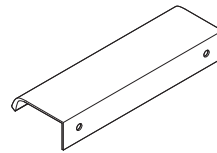
**H** x 26



**I** x 3



**J** x 4



**K** x 2



Ø3.5 x 12mm

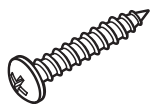
**L** x 16



**M** x 4



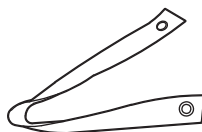
ST4 x 12mm  
x 2



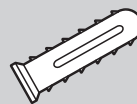
ST4 x 25mm  
x 2



x 4



x 2



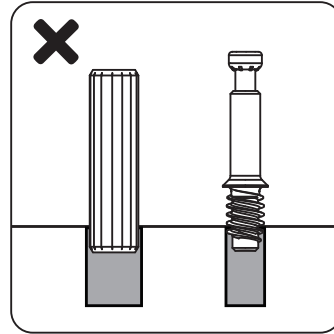
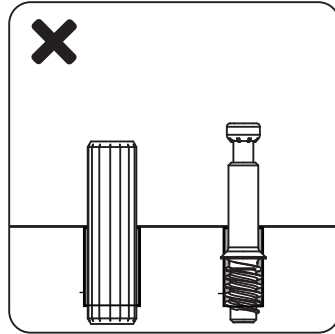
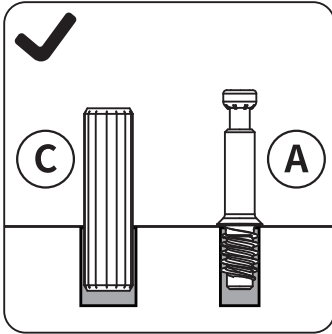
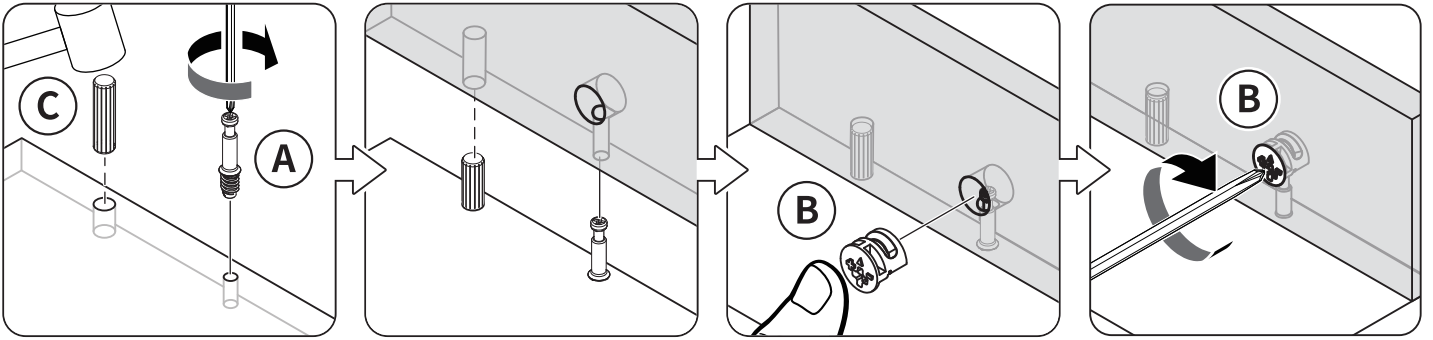
Ø8 x 30mm  
x 2



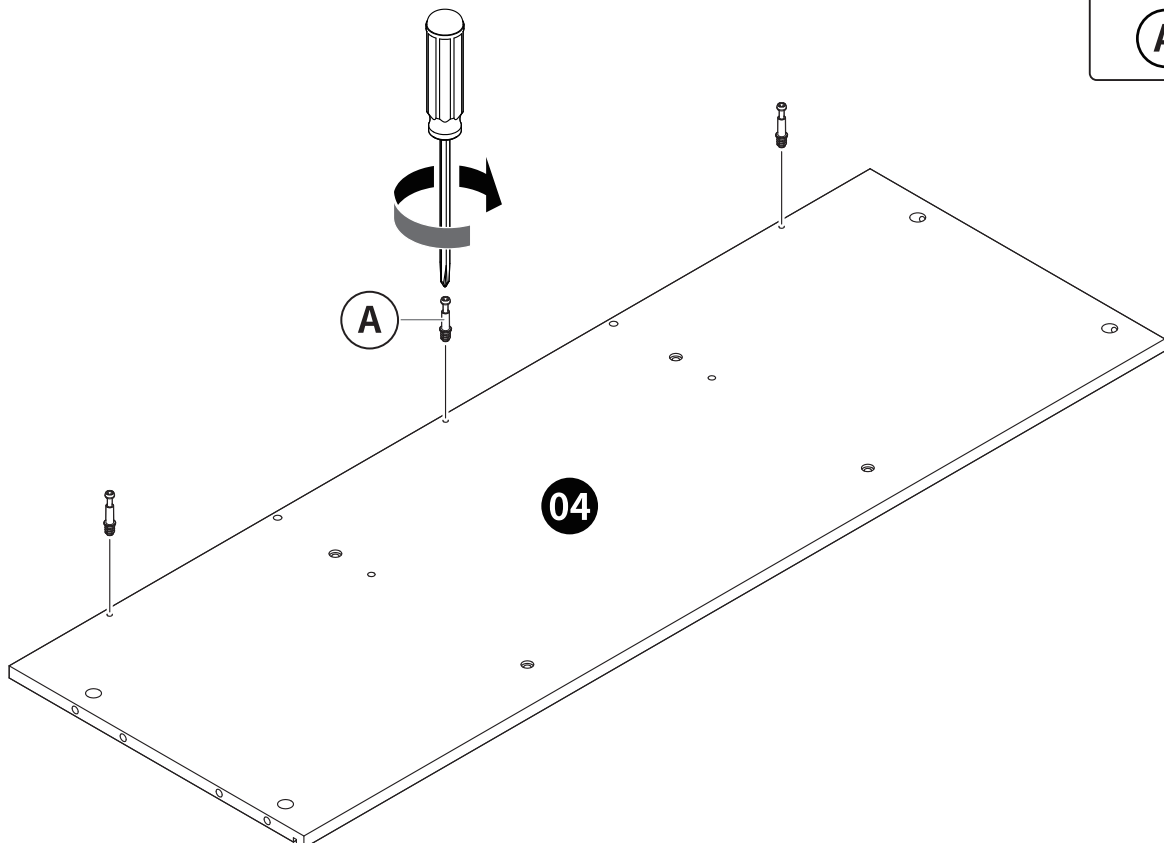
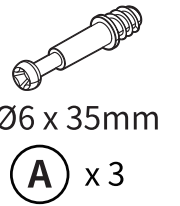
**CAUTION!**

This wall anchor is for concrete ONLY. DO NOT use them in drywall or wood studs.

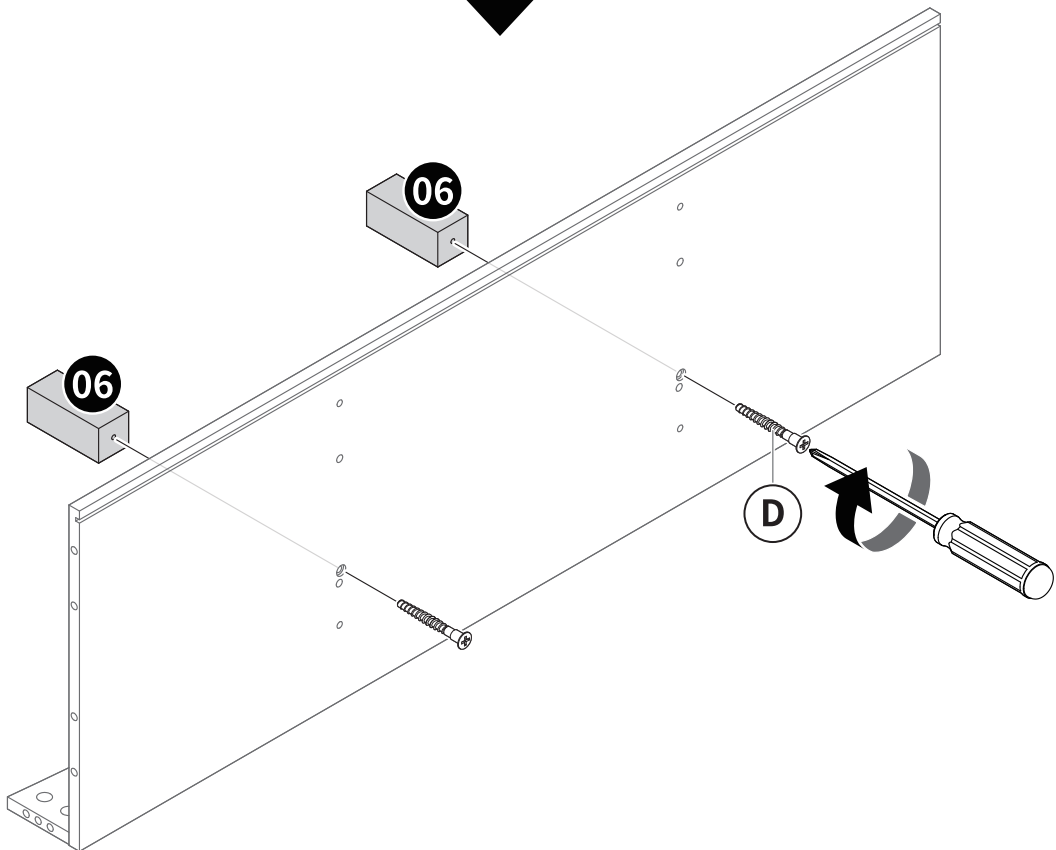
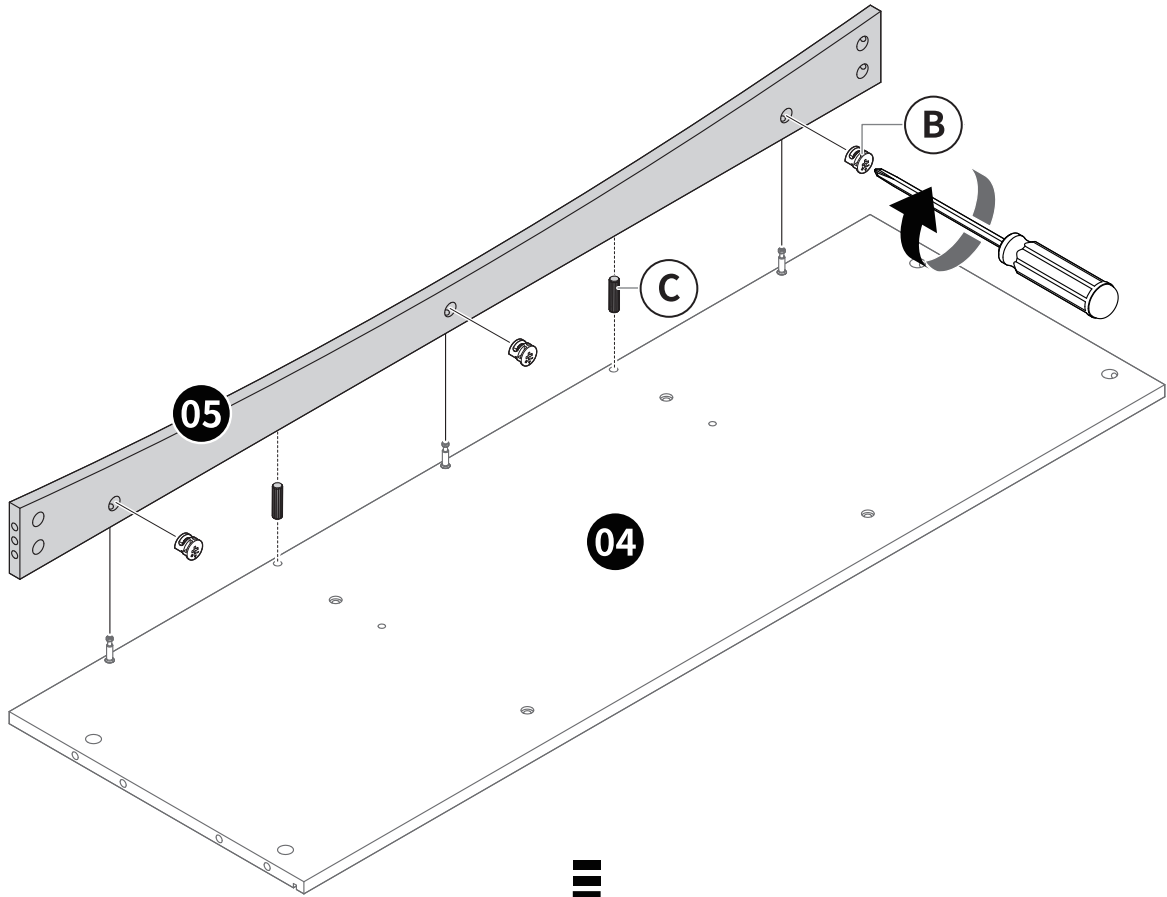
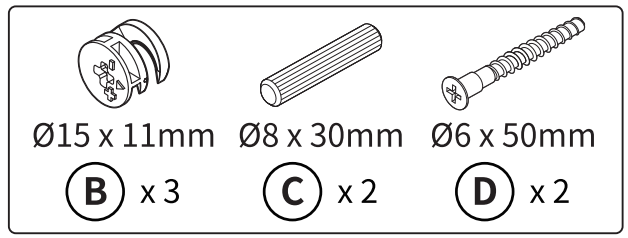
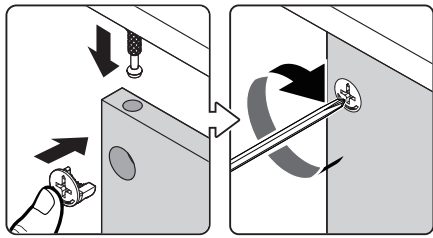
# Installation Guide



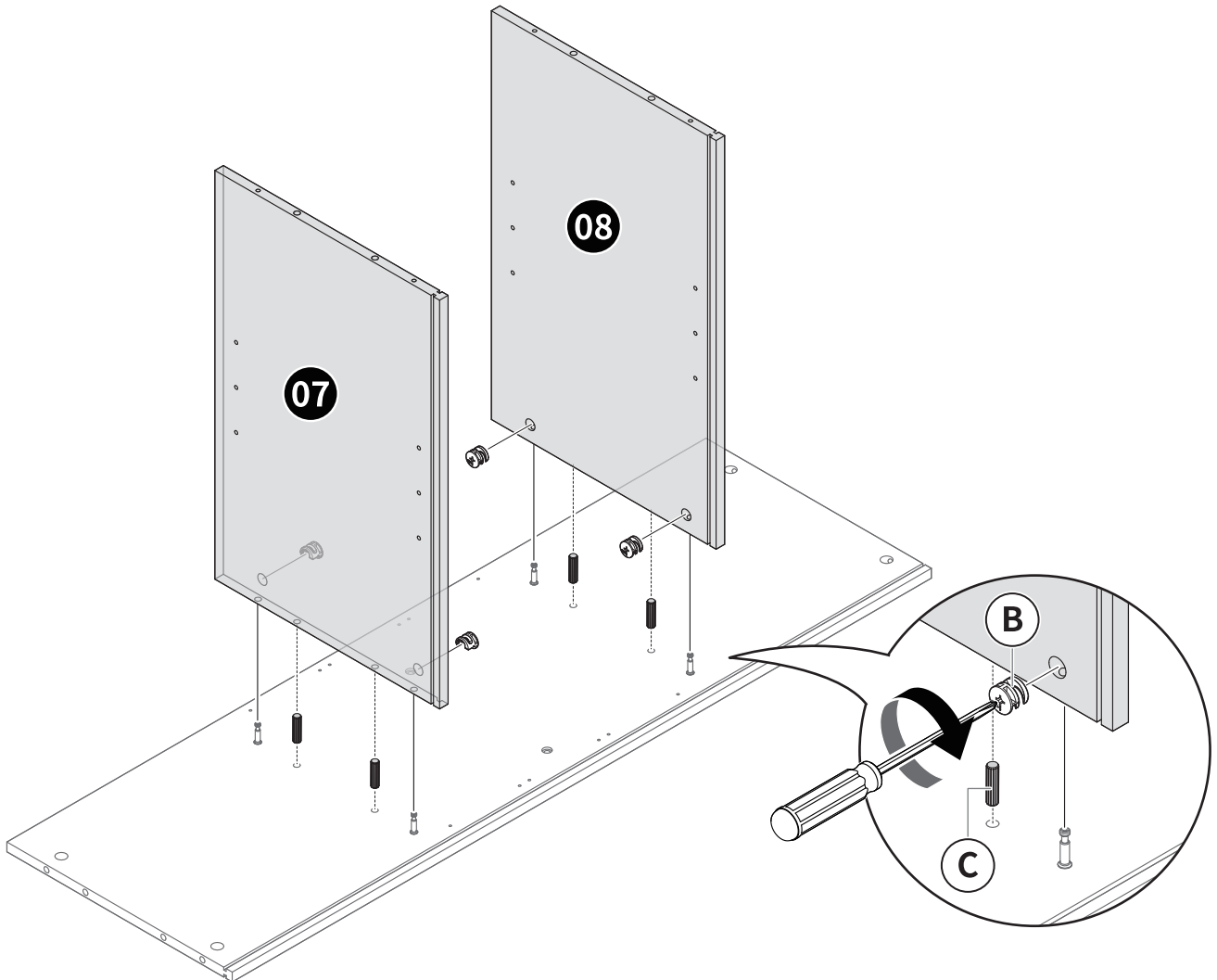
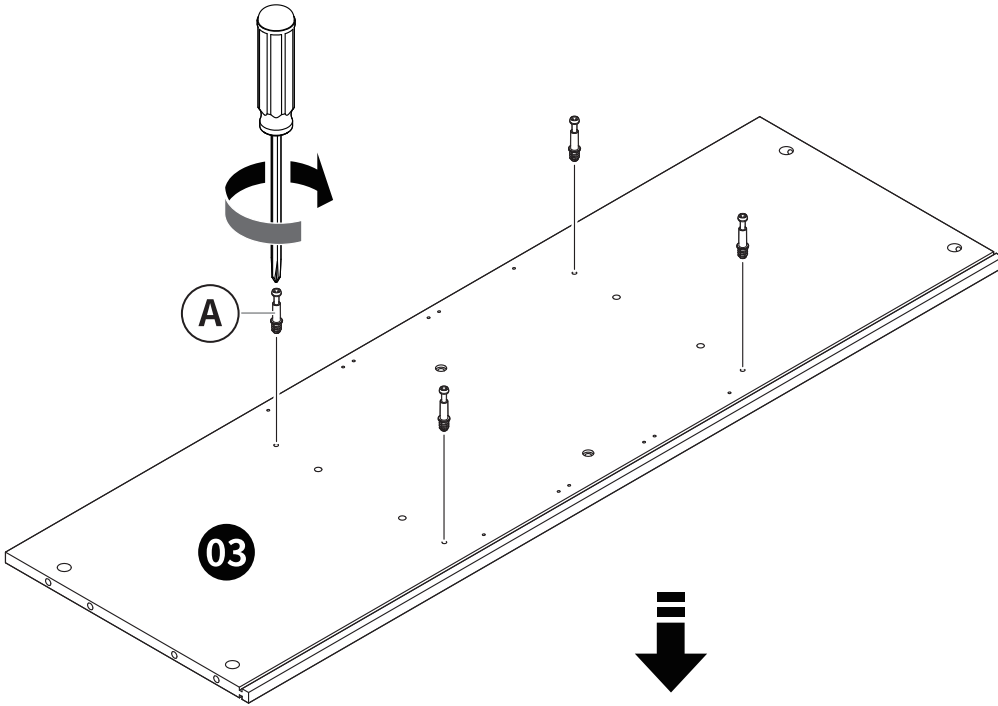
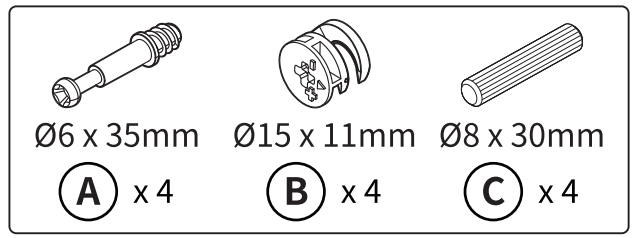
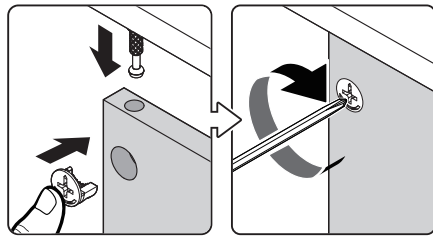
**1**



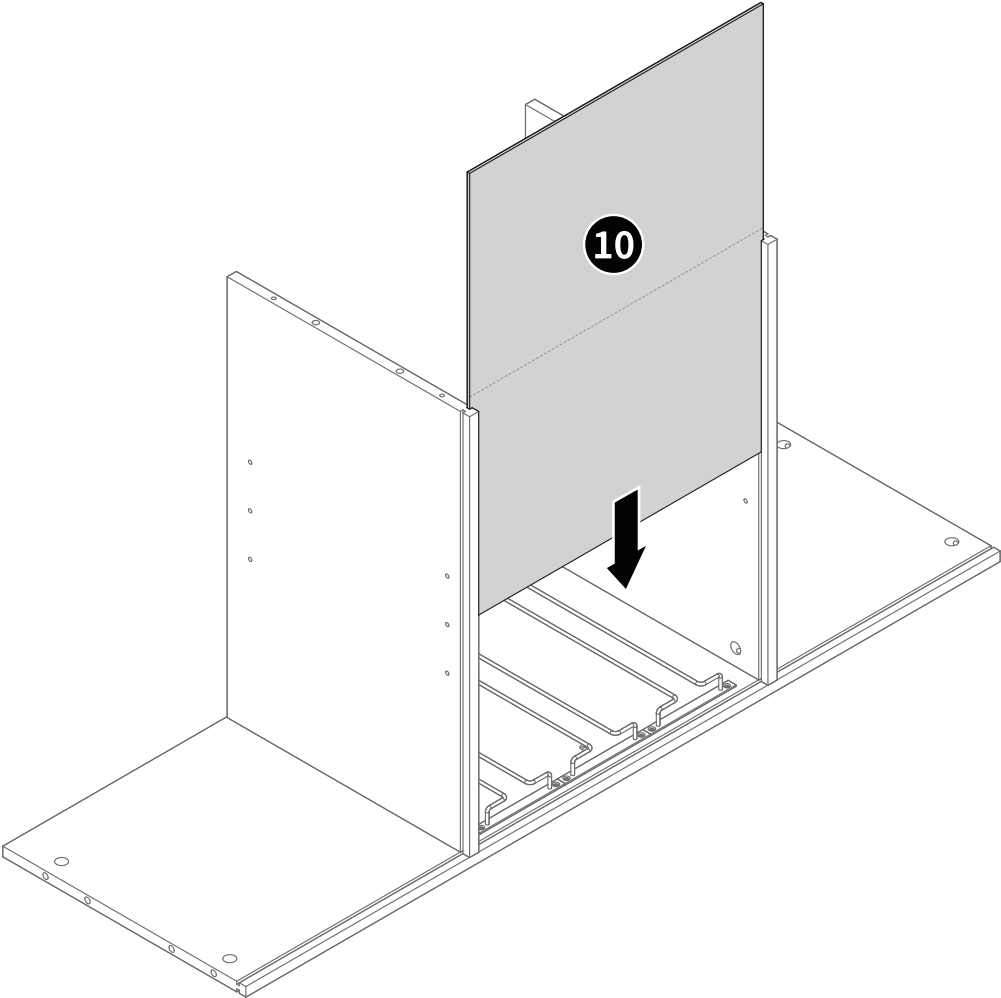
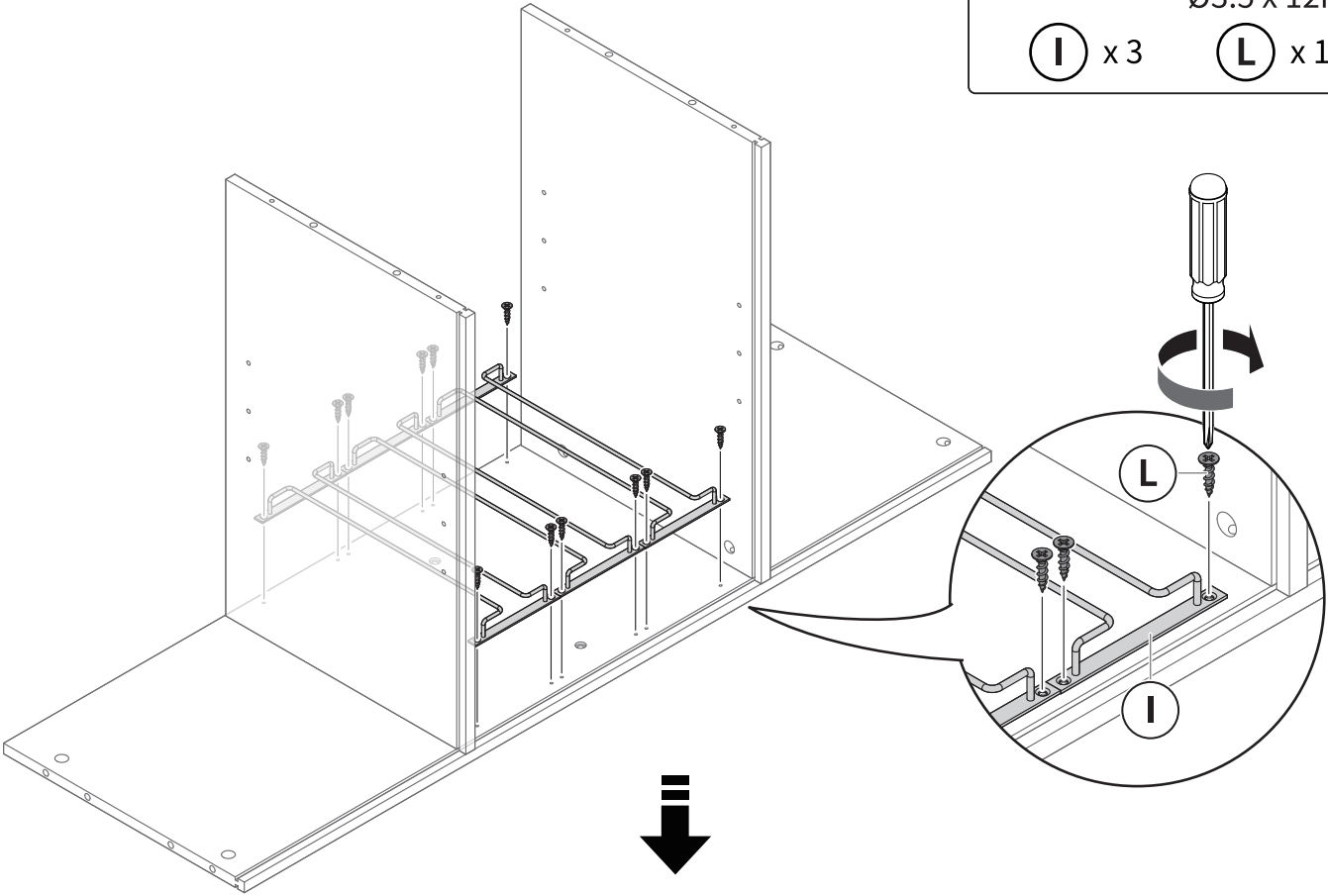
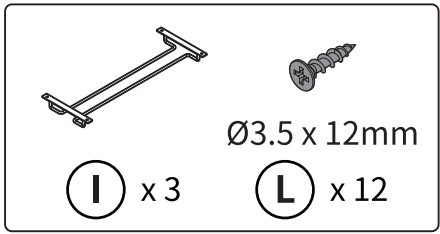
2



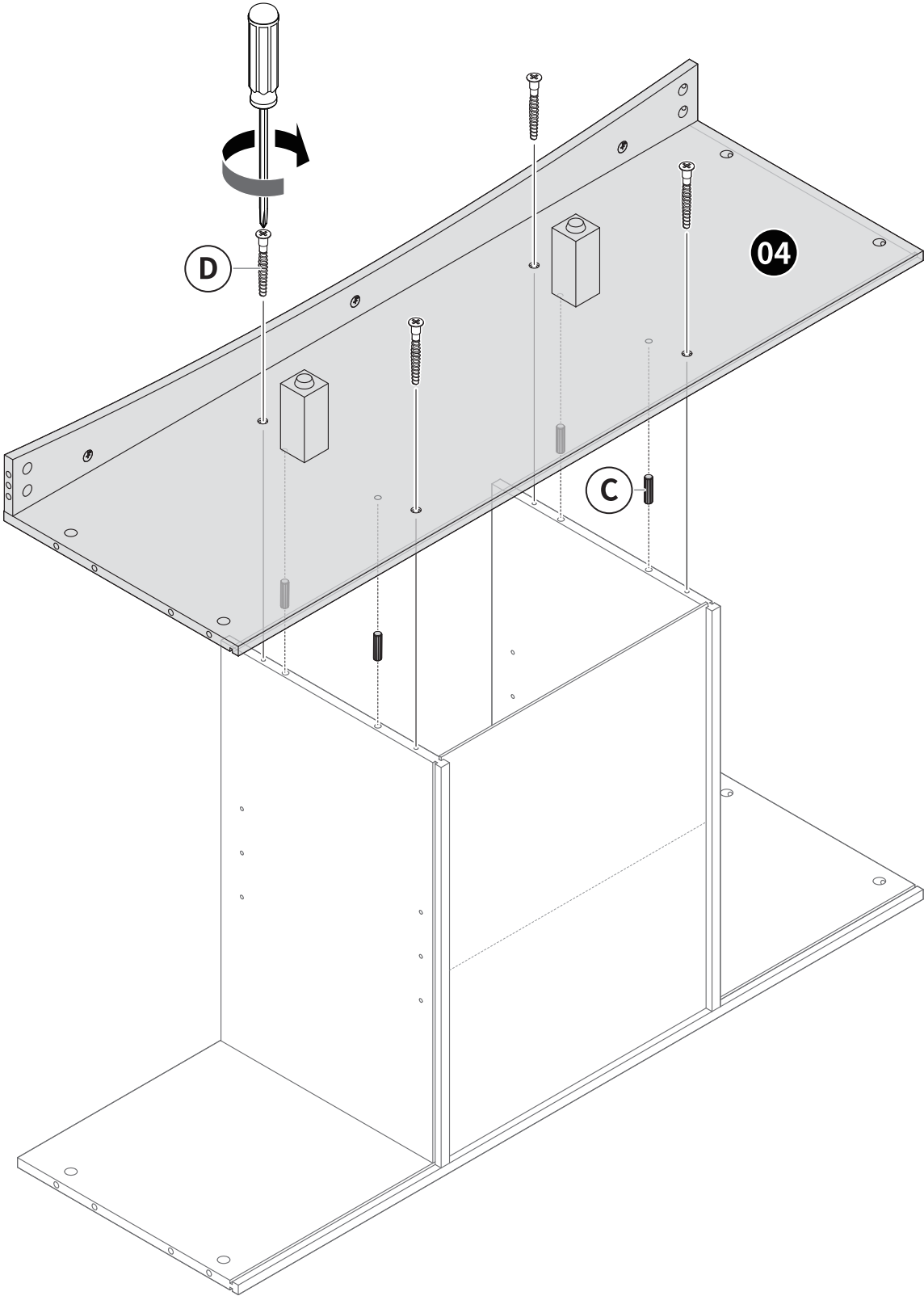
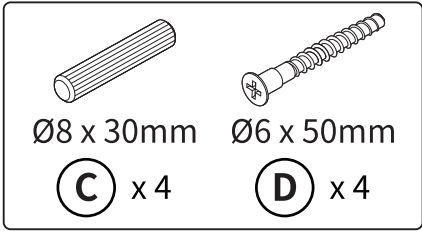
**3**



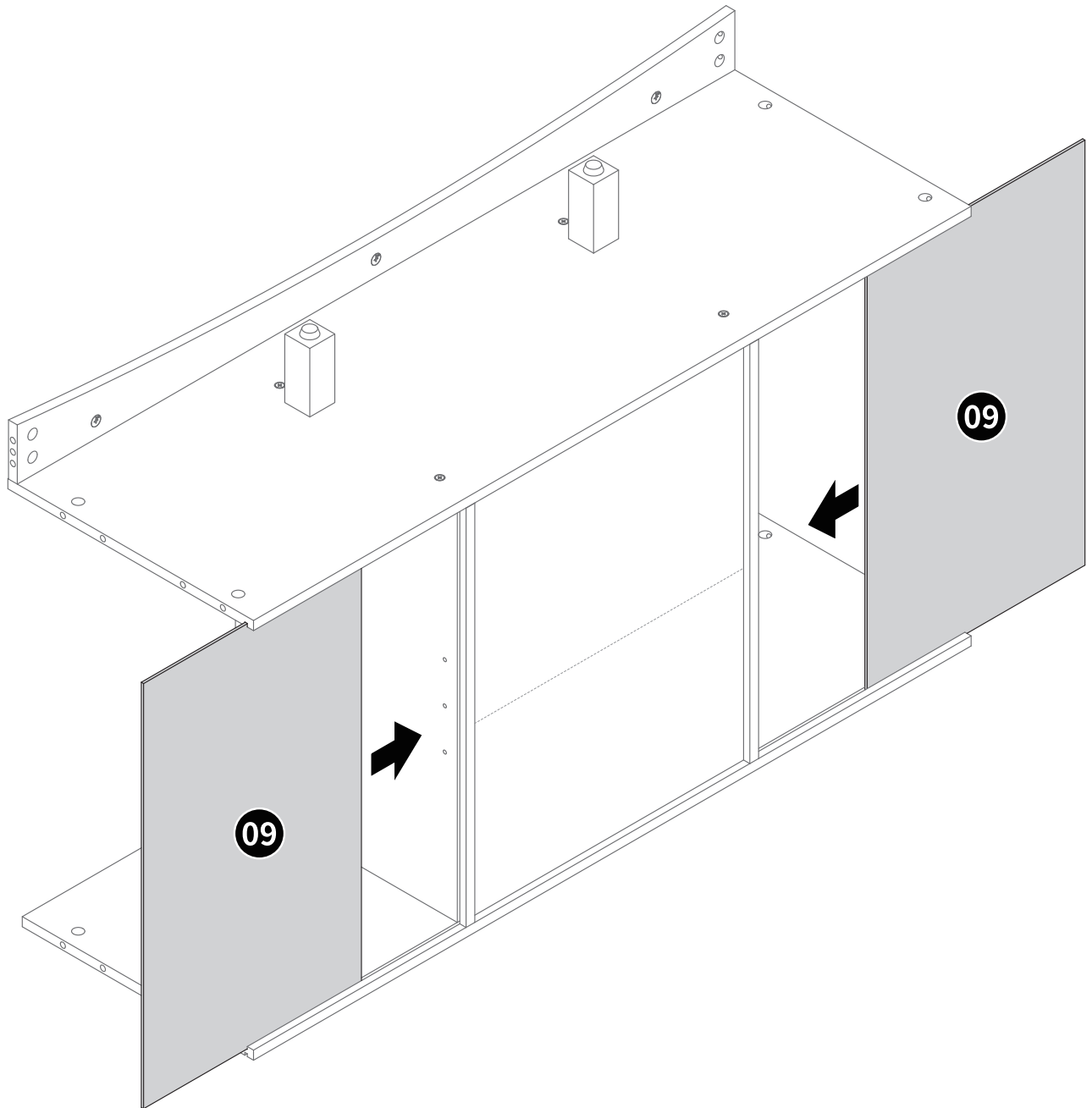
**4**



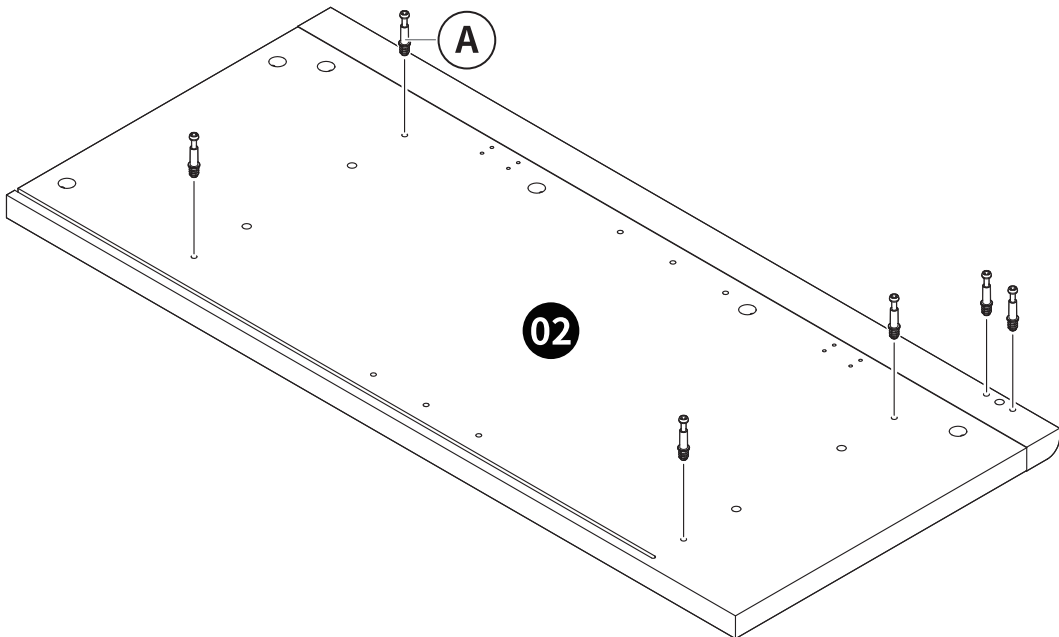
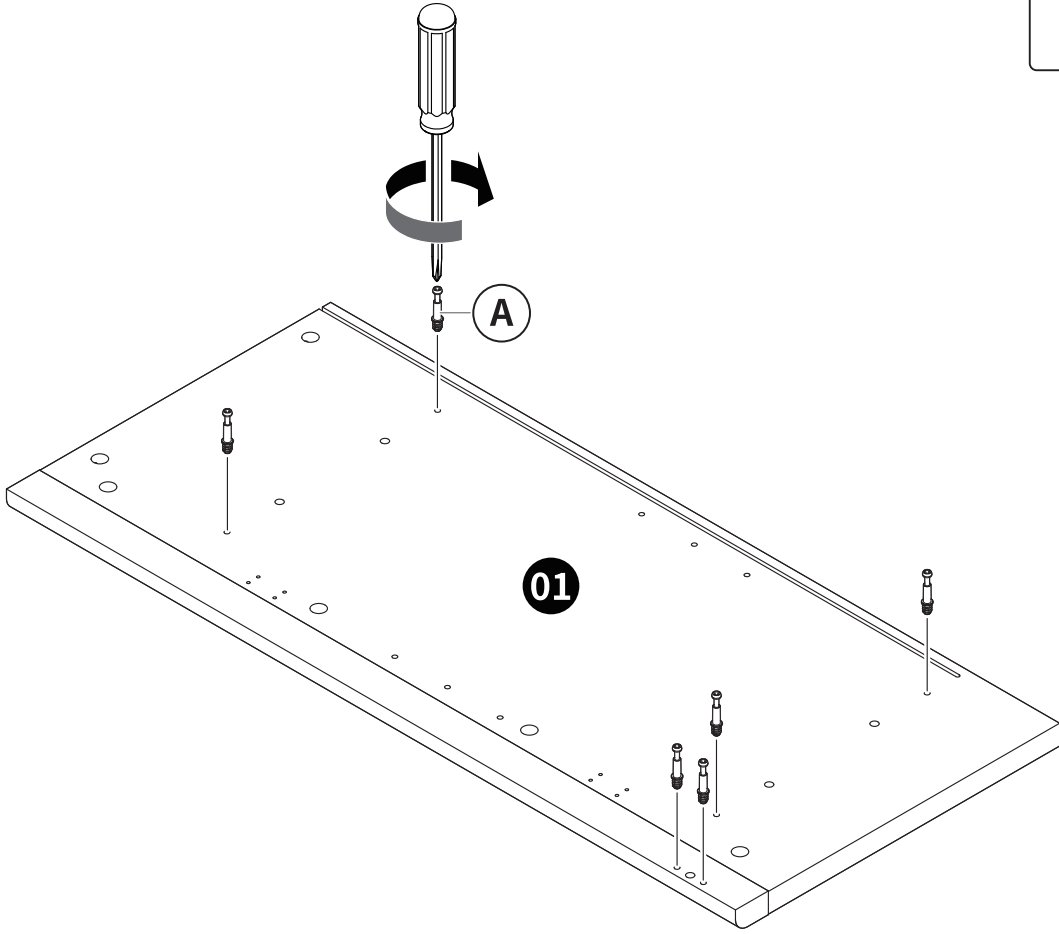
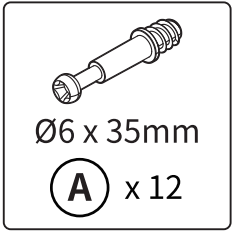
5



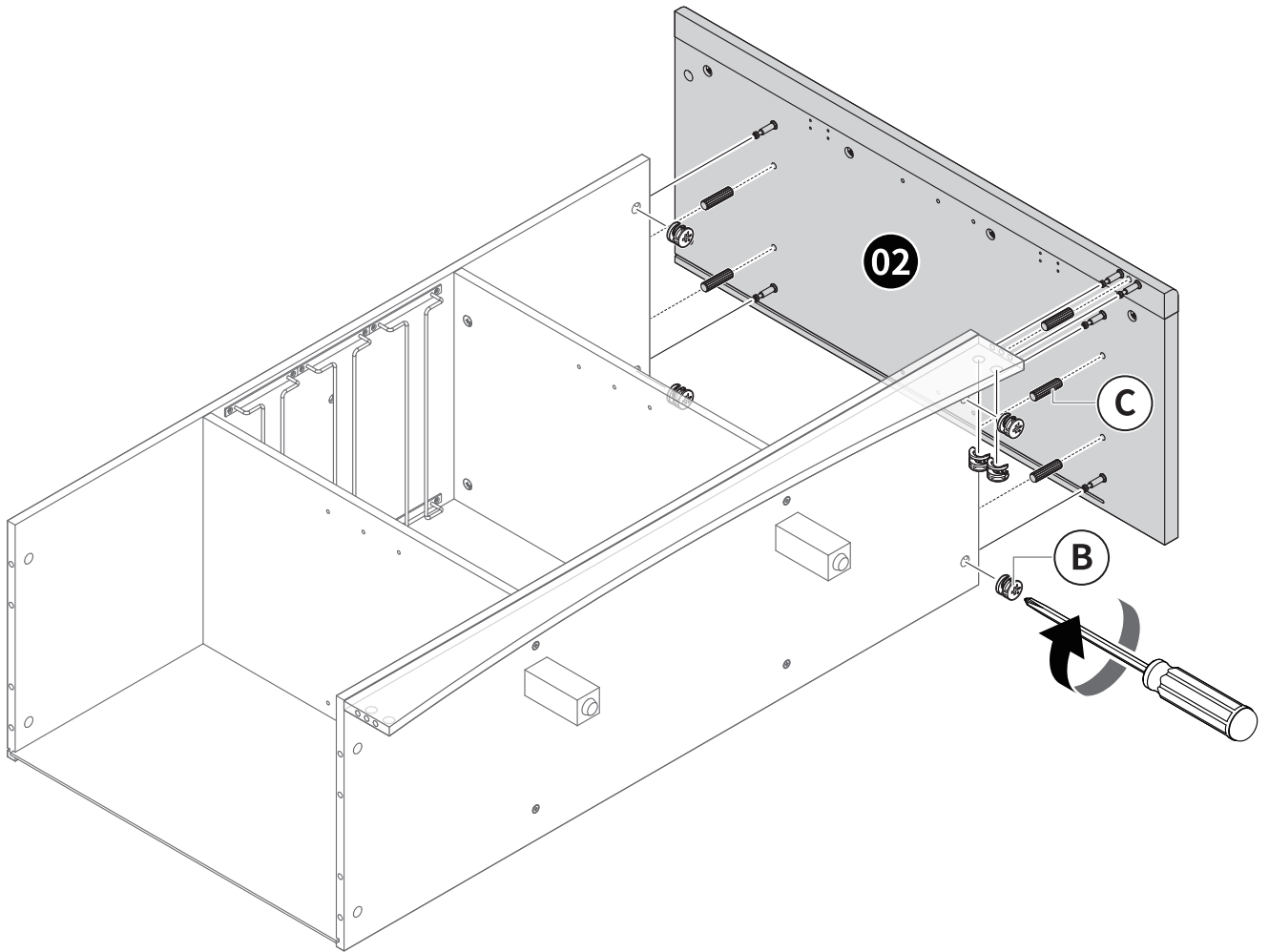
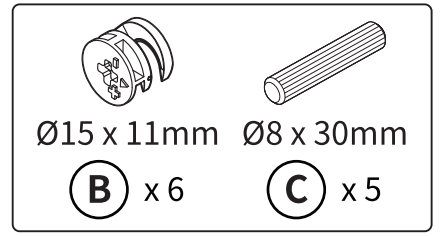
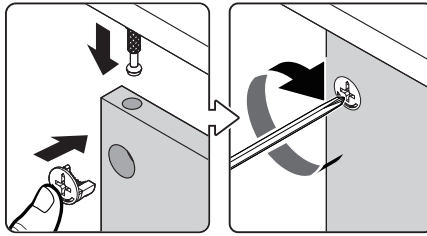
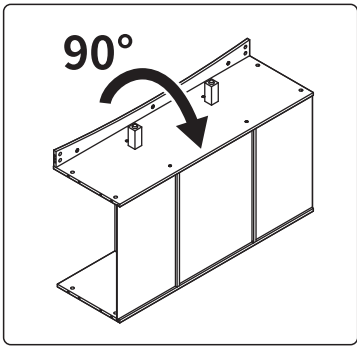
6



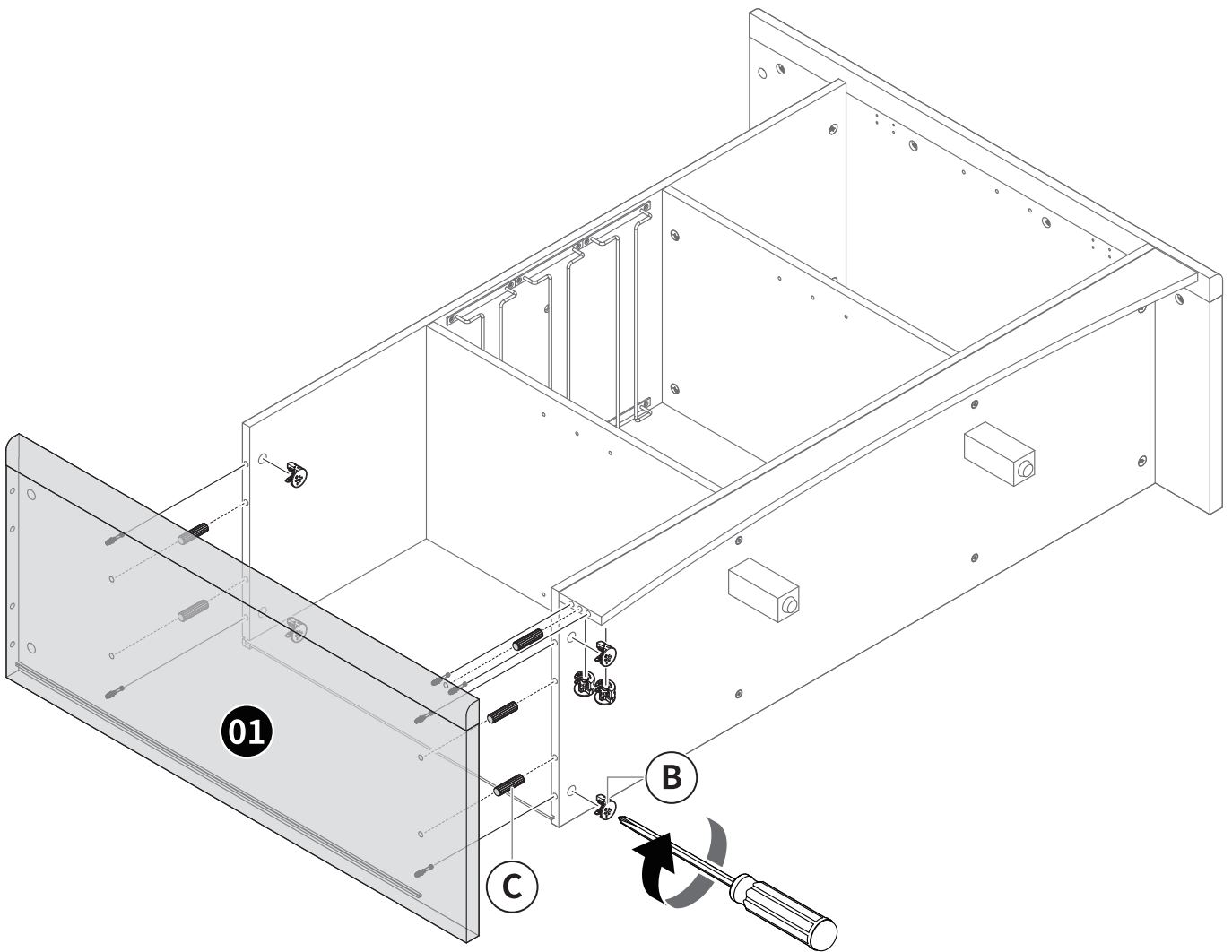
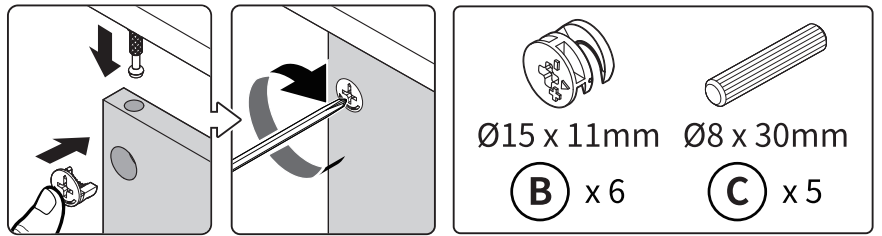
7



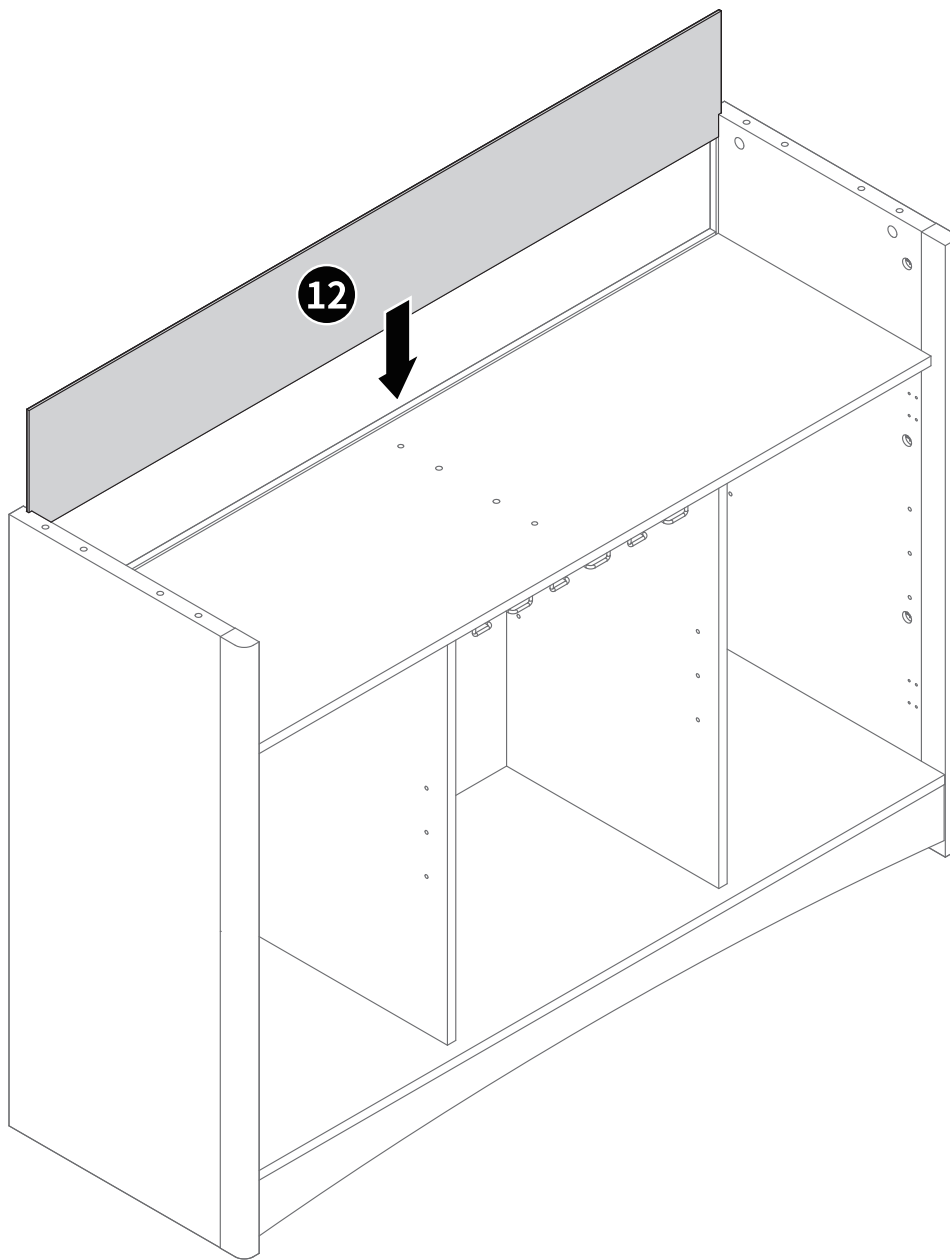
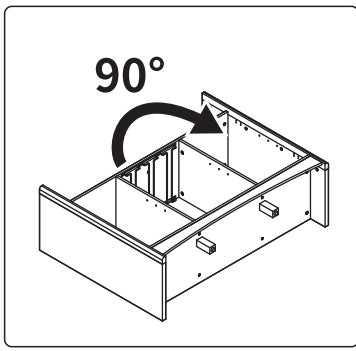
8



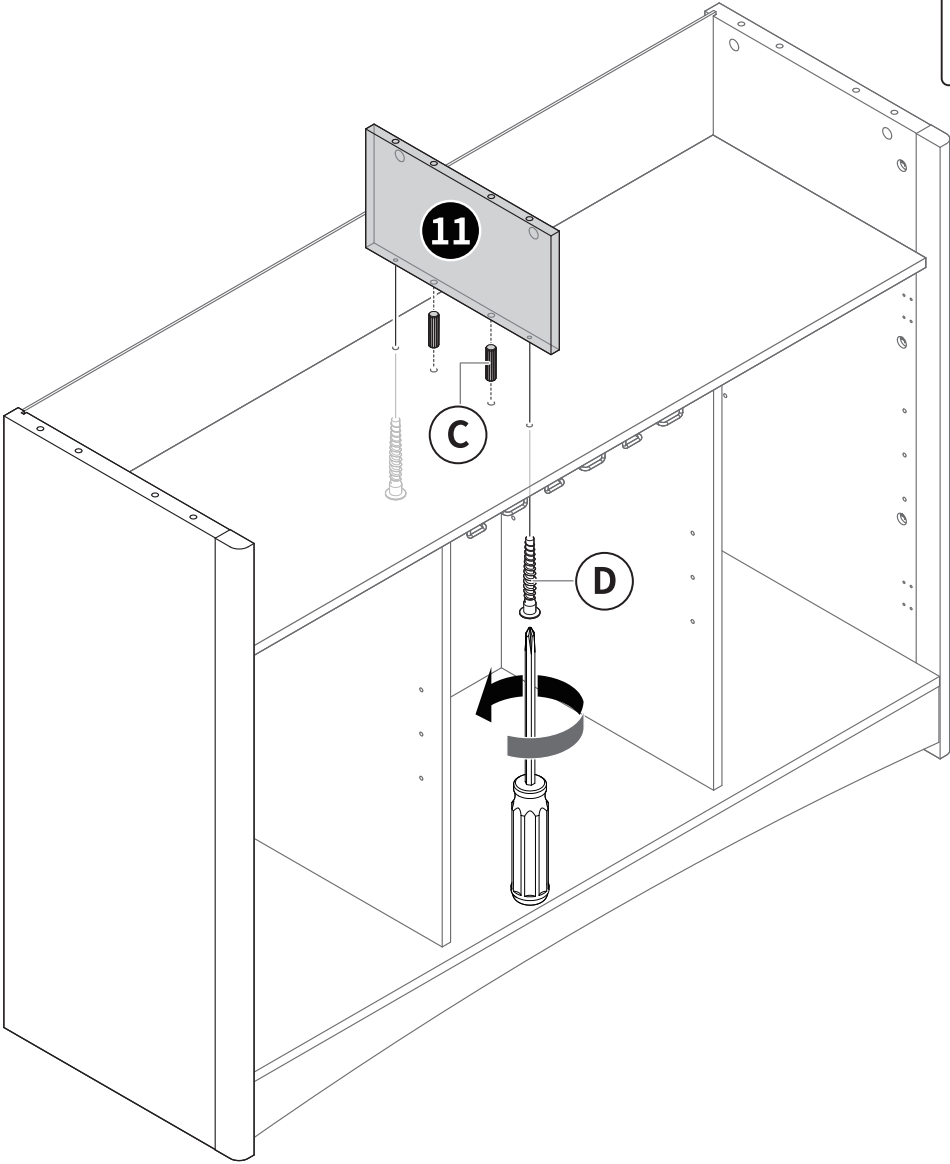
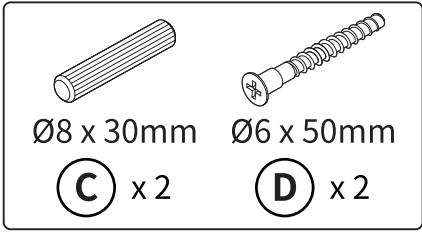
9



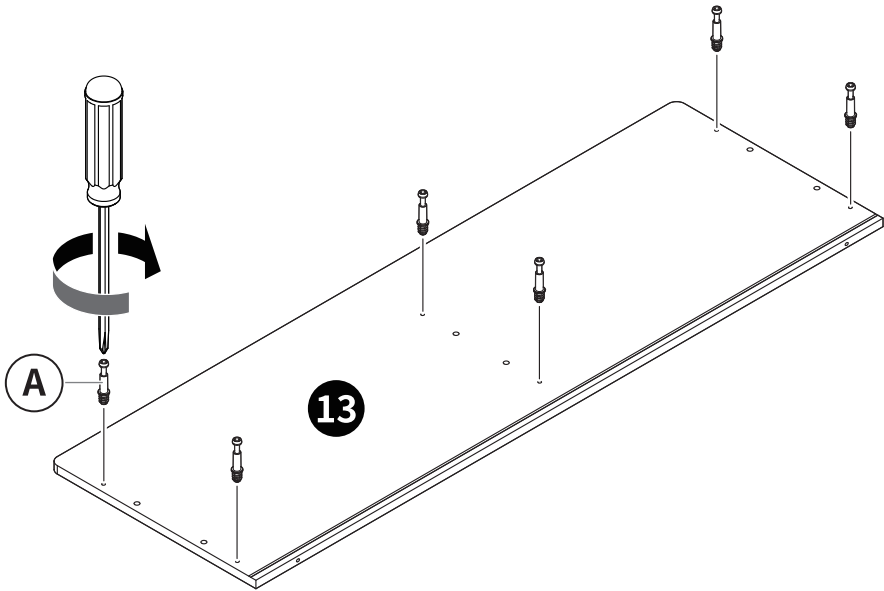
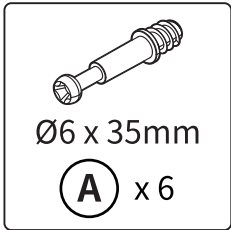
**10**



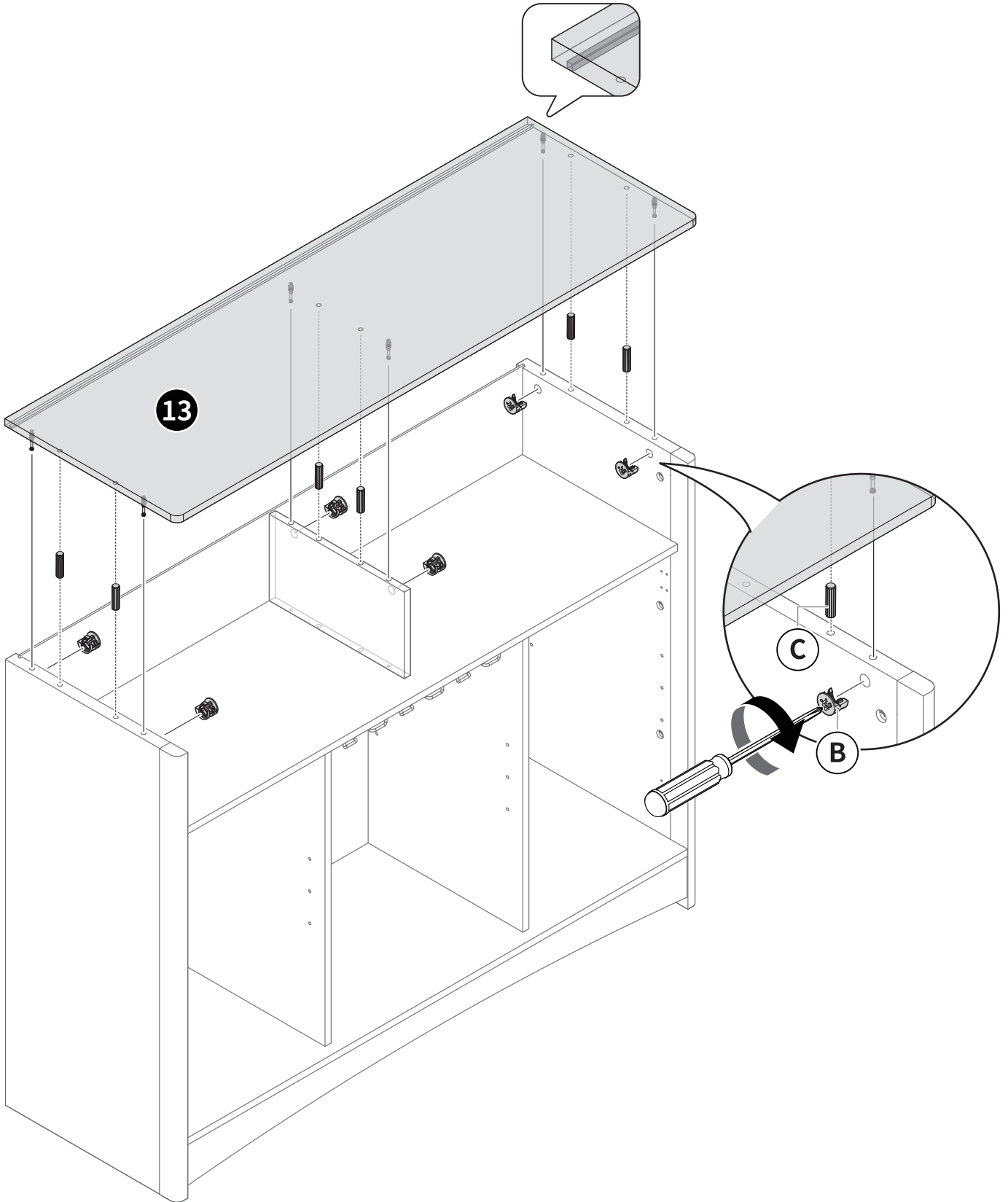
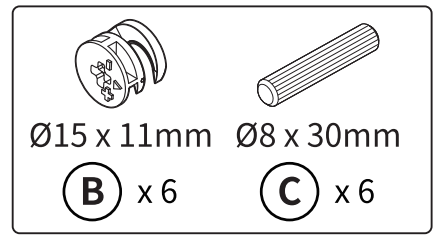
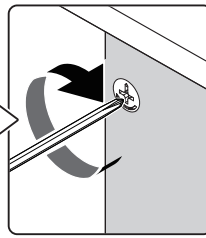
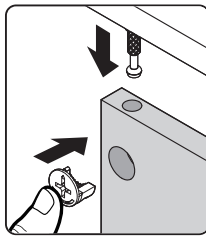
**11**



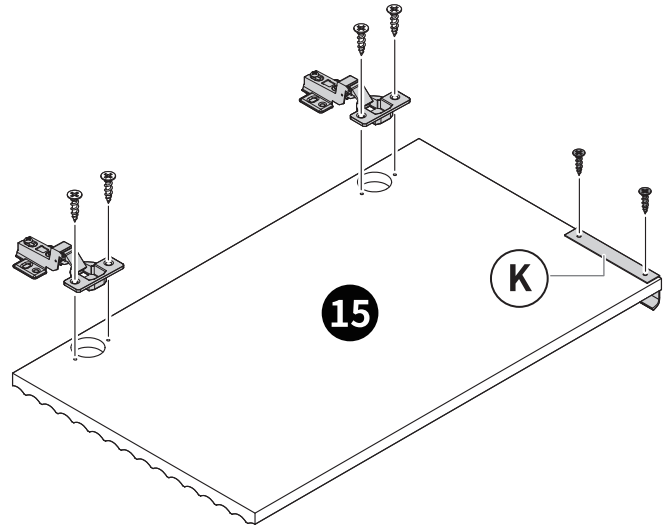
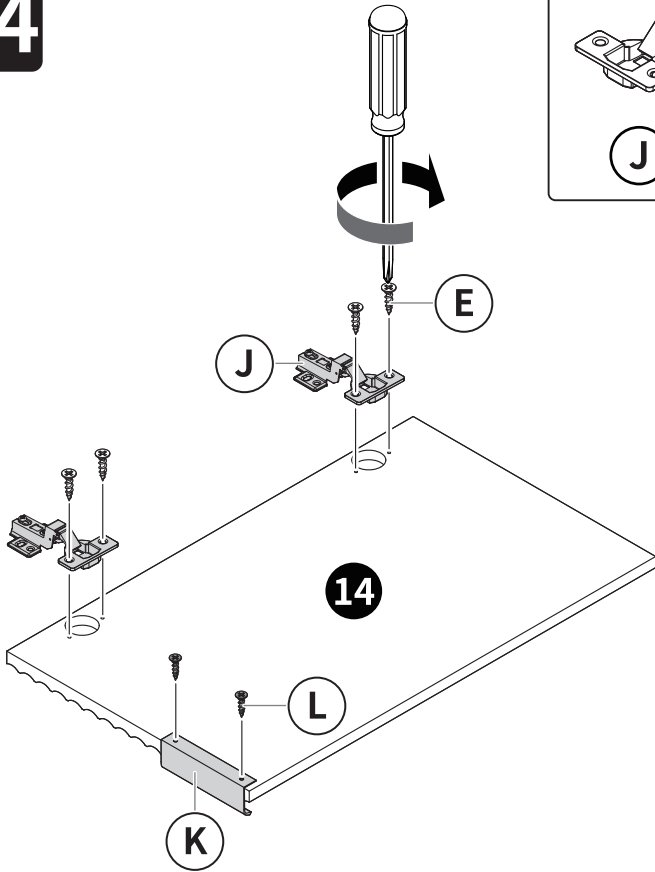
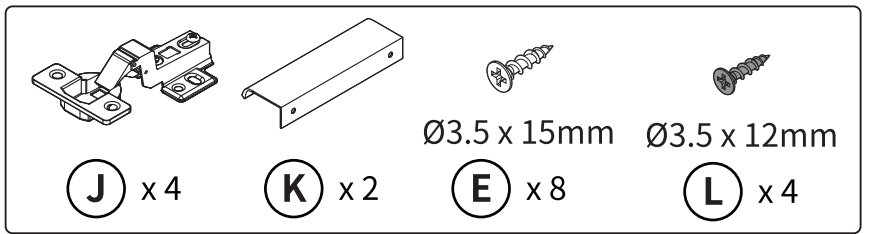
**12**



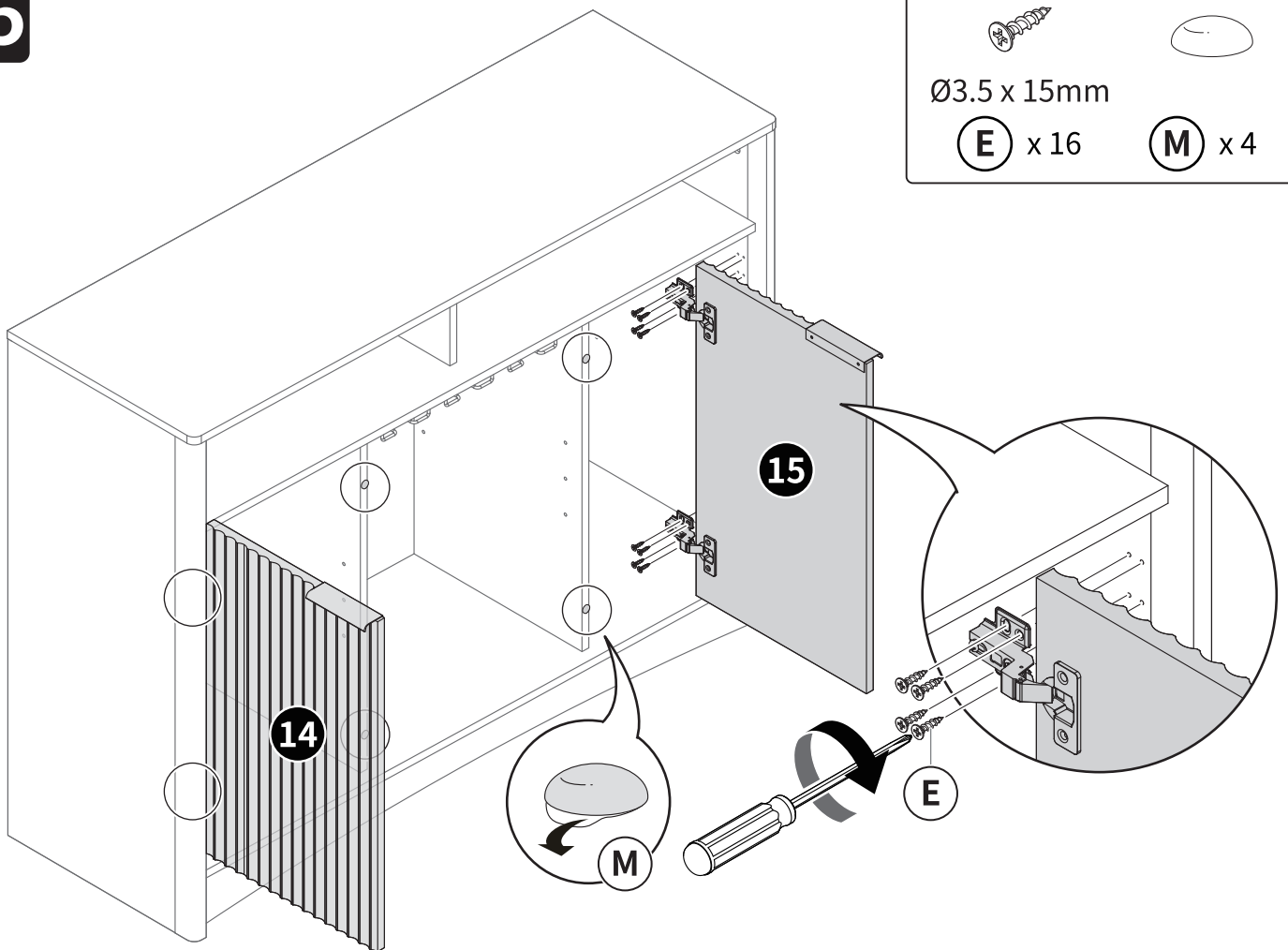
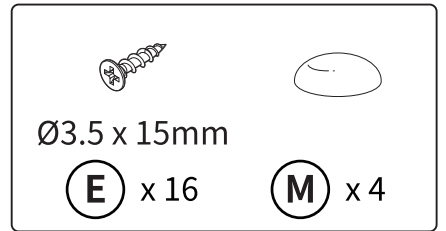
13



14

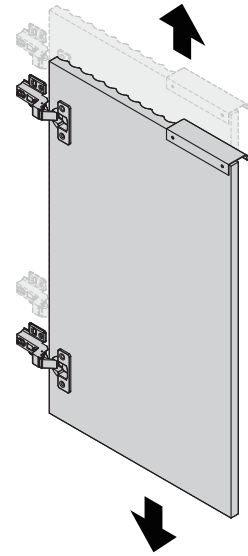
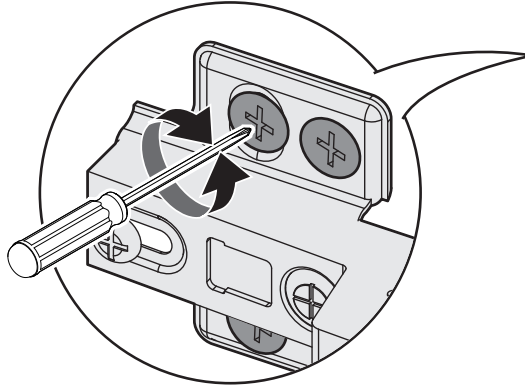


15

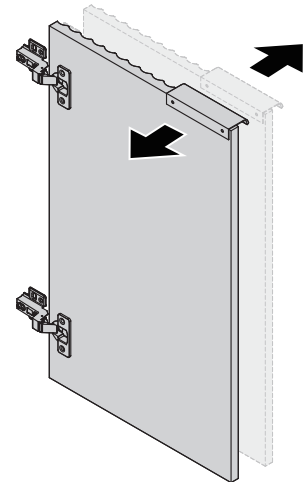
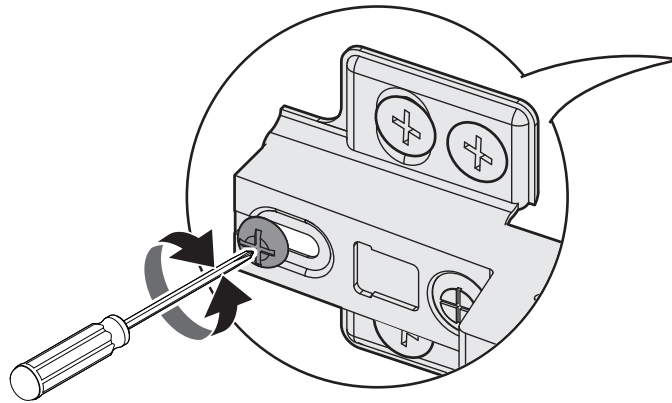


The doors may go out of alignment during shipping. Open and close the doors to make sure they are aligned correctly. If the doors need to be adjusted, turn the appropriate screw, as illustrated.

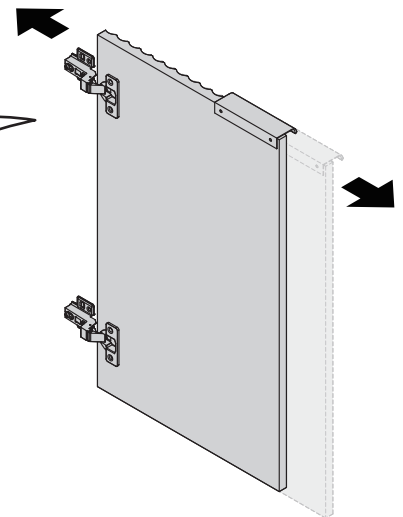
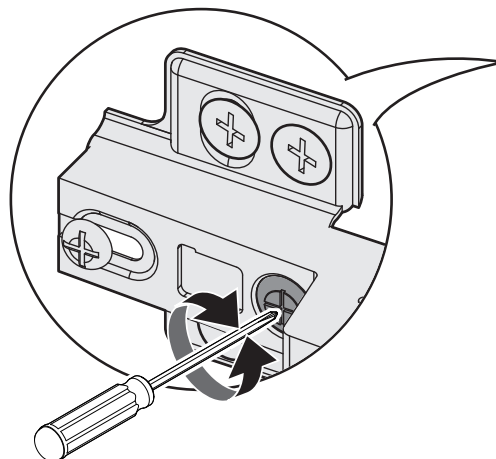
**To adjust door up or down**



**To adjust door forward or backward**



**To adjust door left or right**

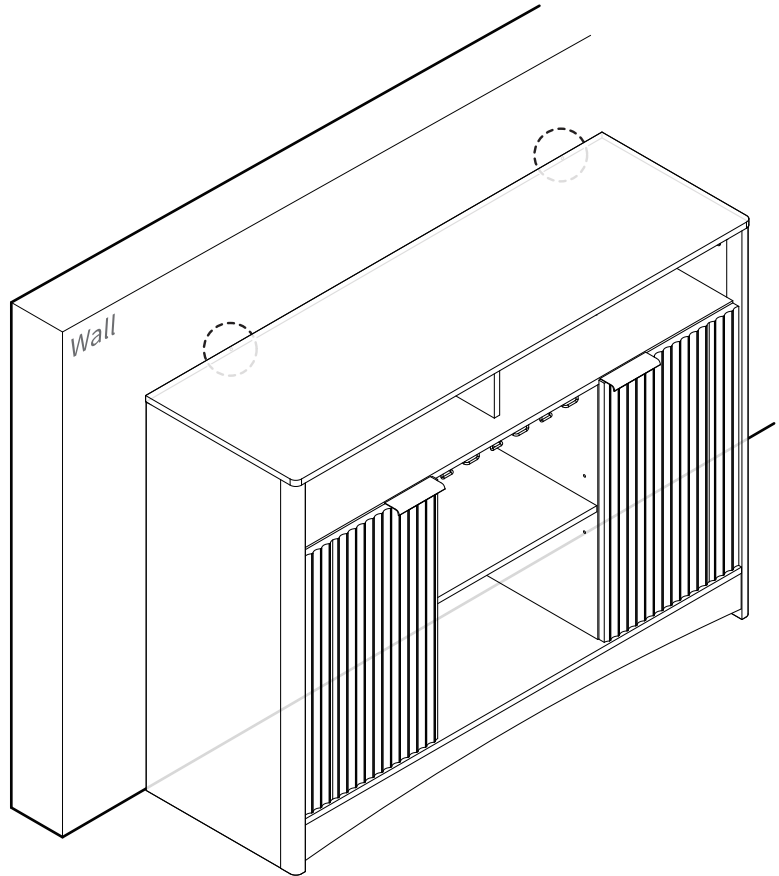
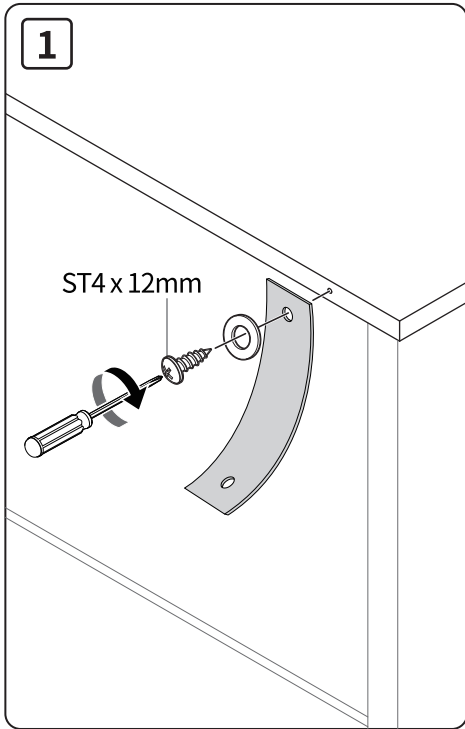
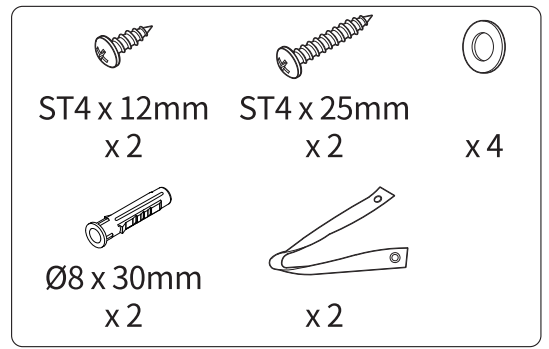




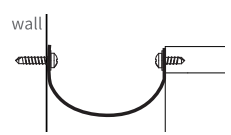
# 18

## Installation Instructions:

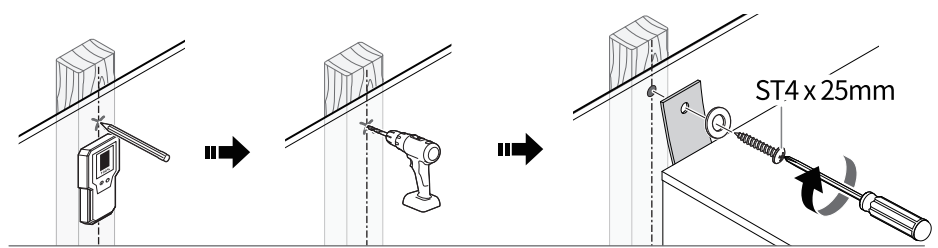
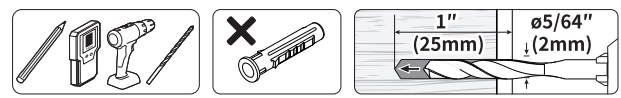
1. Secure the straps to the top of the unit using short screws and washers.
2. Determine where the unit is to be placed. If you have a wood stud wall, locate a stud using a stud finder and mark the centerline.
3. Drill pilot holes in the wall at the appropriate height.
4. Secure the straps to the wall using long screws and washers. Use wall anchors for solid concrete. Do not use them on wood studs.



**2** **Tip:** When marking the wall holes, try to align them with the holes in the top of the unit.



### A. Wood Studs



### B. Solid Concrete

