

Instruction Manual

Ashby 120cm Rectangular
Folding Table, Natural Acacia



CONTENTS

Safety and care advice	1
Components	2
Assembly instructions	4
Copyright	10

⚠ SAFETY AND CARE ADVICE ⚠

PLEASE READ THESE INSTRUCTIONS CAREFULLY AND KEEP FOR FUTURE REFERENCE

- **Warning:** Please lift with care.
- Check you have all the components and tools listed on pages 2 and 3.
- Remove all fittings from the plastic bags and separate them into their groups.
- Keep children and animals away from the work area, small parts could choke if swallowed.
- Make sure you have enough space to lay out the parts before starting.
- Do not stand or put weight on the product, this could cause damage.
- Assemble the item as close to its final position (in the same room) as possible.
- Assemble on a soft level surface to avoid damaging the unit or your floor (use opened out unit carton).



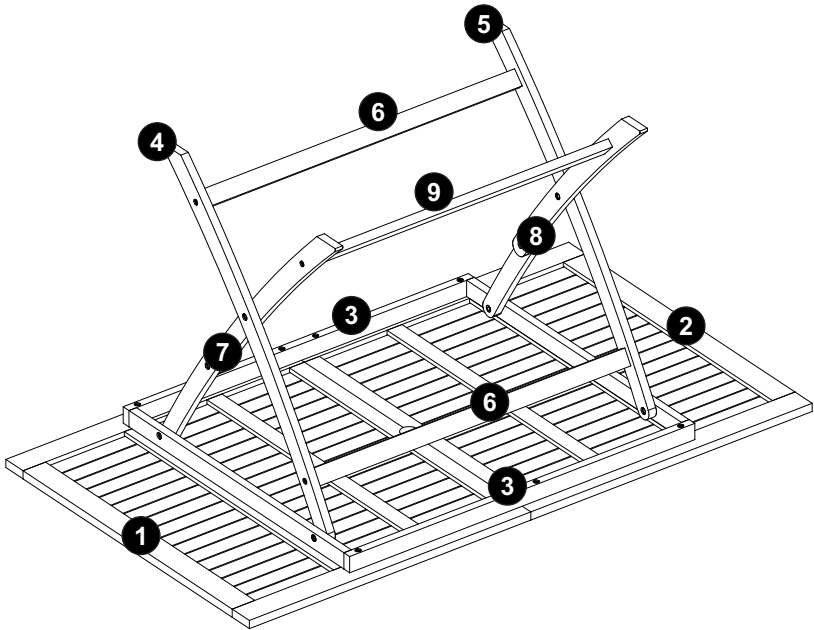
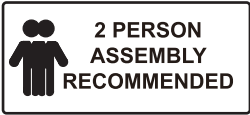
- We do not recommend the use of power drill/drivers **for inserting screws**, as this could damage the unit. Only use hand screwdrivers.
- Dispose of all packaging carefully and responsibly.

CARE AND MAINTENANCE

- Only clean using a damp cloth and mild detergent, do not use bleach or abrasive cleaners.
 - From time to time check that there are no loose screws on this unit.
 - This product should not be discarded with household waste. Take to your local authority waste disposal center.
- Note** *If required the next page can be cut out and used as reference throughout the assembly. Keep this page with these instructions for future reference.*

COMPONENTS

Please check you have all the panels listed below:

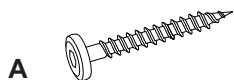


1. Tabletop 1	x 1	7. Leg 3	x 1
2. Tabletop 2	x 1	8. Leg 4	x 1
3. Tabletop support frame	x 2	9. Leg stretcher 2	x 1
4. Leg 1	x 1		
5. Leg 2	x 1		
6. Leg stretcher 1	x 2		

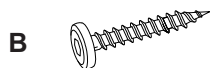


COMPONENTS

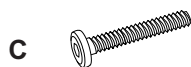
Please check you have all the fittings listed below:



Screw (Φ7x60mm) x 6



Screw (Φ6x50mm) x 8



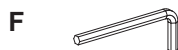
Bolt (Φ8x30mm) x 6



Caps (Φ8x15mm) x 6



Washers (Φ8/18x2mm) x 6



Allen key x 2

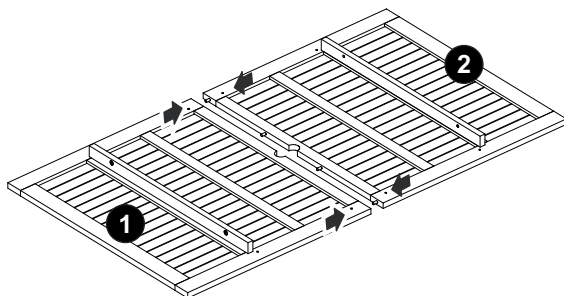


Parasole Cap x 1





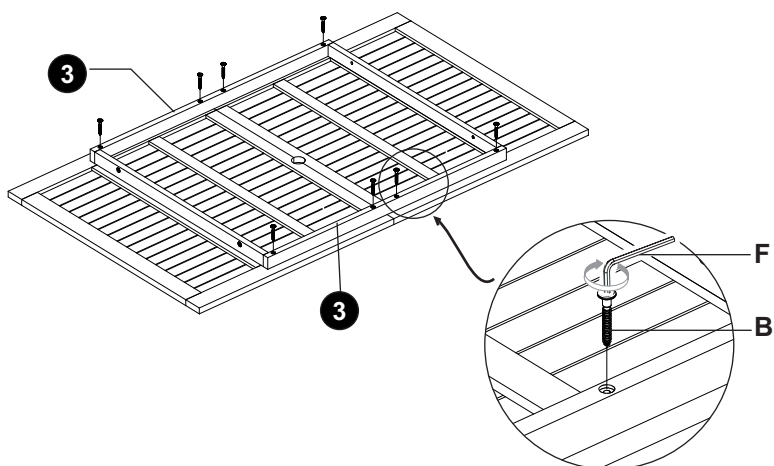
ASSEMBLY INSTRUCTIONS

Step 1





Step 2

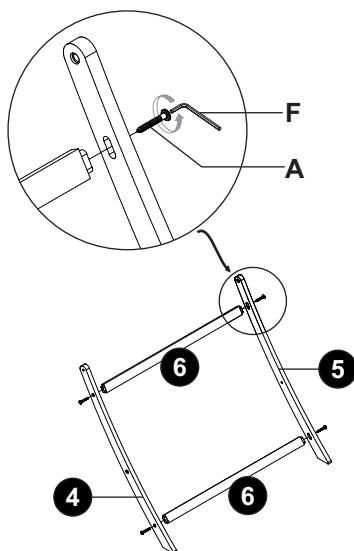
B		8
F		1





ASSEMBLY INSTRUCTIONS

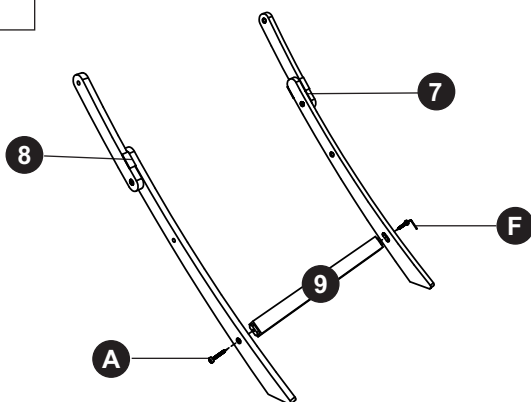
Step 3

A		4	
F		1	



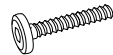
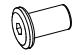


Step 4

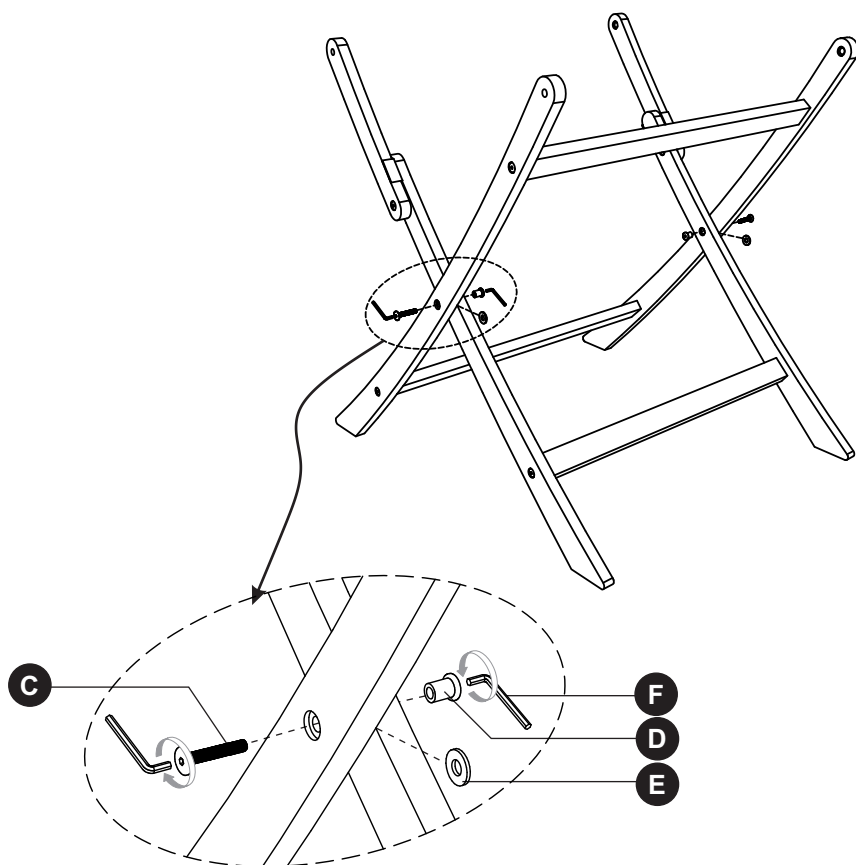
A		2	
F		1	



ASSEMBLY INSTRUCTIONS

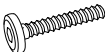
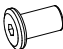


Step 5

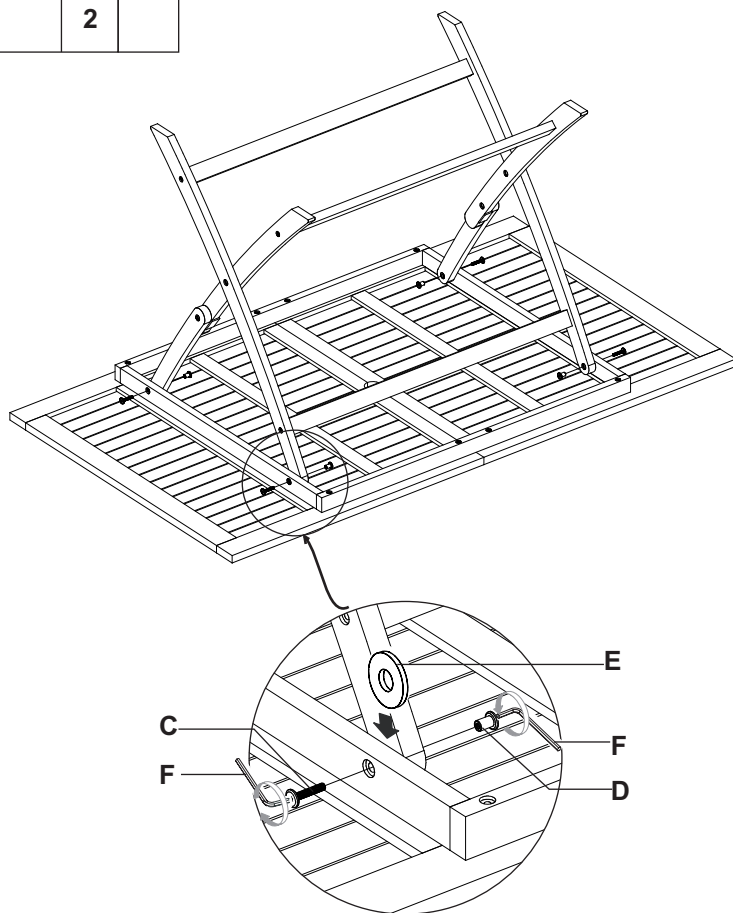
C		2
D		2
E		2
F		2



ASSEMBLY INSTRUCTIONS


Step 6

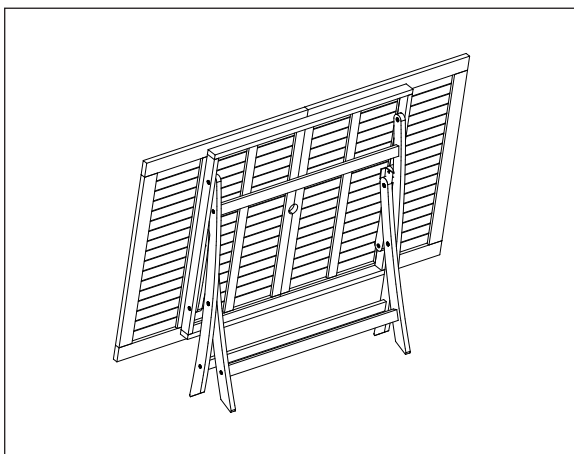
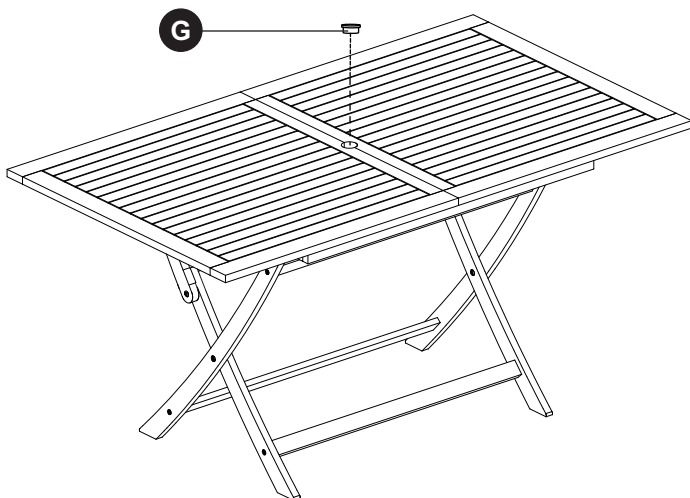
C		4
D		4
E		4
F		2



ASSEMBLY INSTRUCTIONS

Step 7

G		1	
---	---	---	--



Congratulations! Now you have finished assembling the product.

IF YOU FIND A DEFECTIVE PART

We fully stock all parts and components. Any defective part can be quickly replaced. Take note of the defective part number in manual and we will arrange a quick replacement.

COPYRIGHT

All material in this instruction manual is copyrighted

Any unauthorised use may violate worldwide copyright, trademark and other laws.