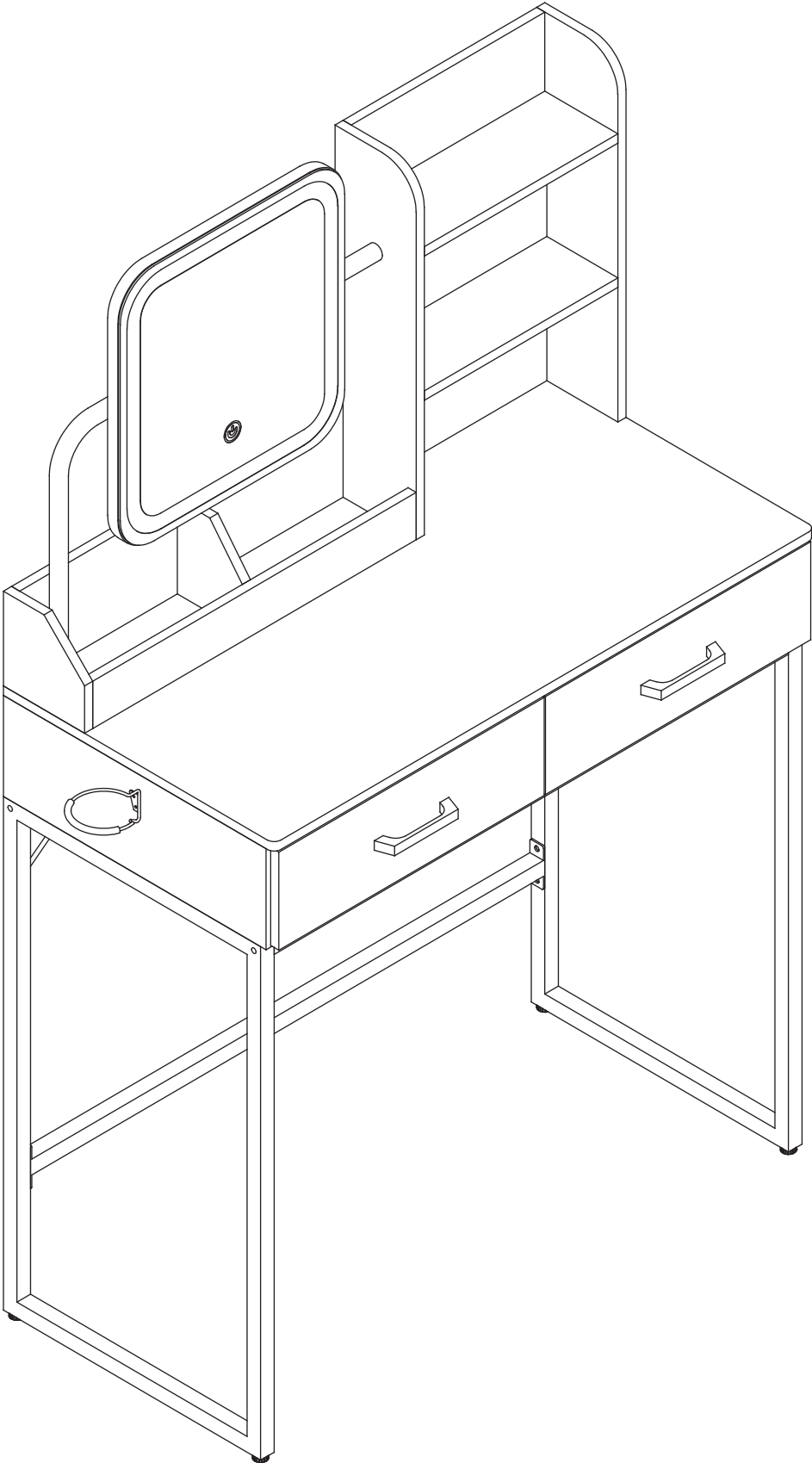
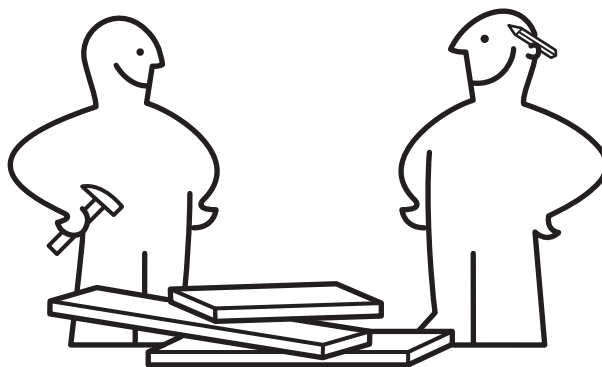
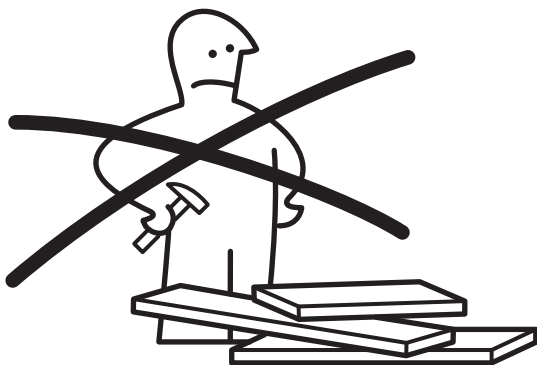
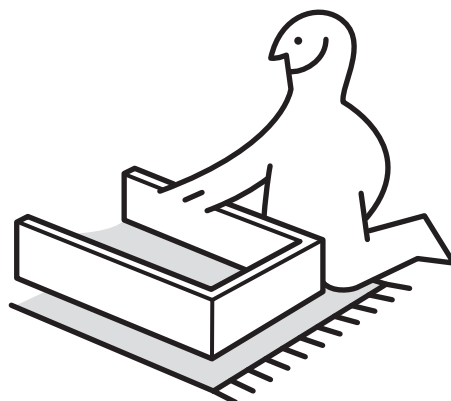
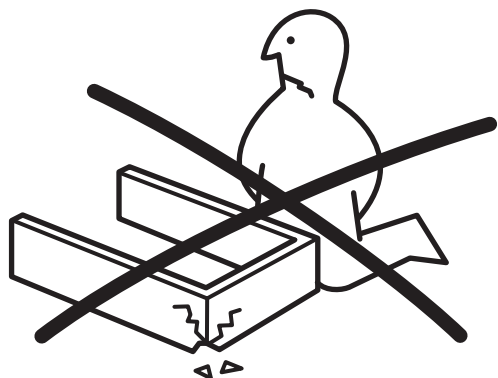


ASSEMBLY INSTRUCTION



INTRODUCTION

Thank you for purchasing our products. Committed to providing customers with the best quality products and service has always been our lifelong goal. Before using the product, please read this instruction manual carefully to ensure correct use. Keep the instruction manual in a place where the user can find it at any time.



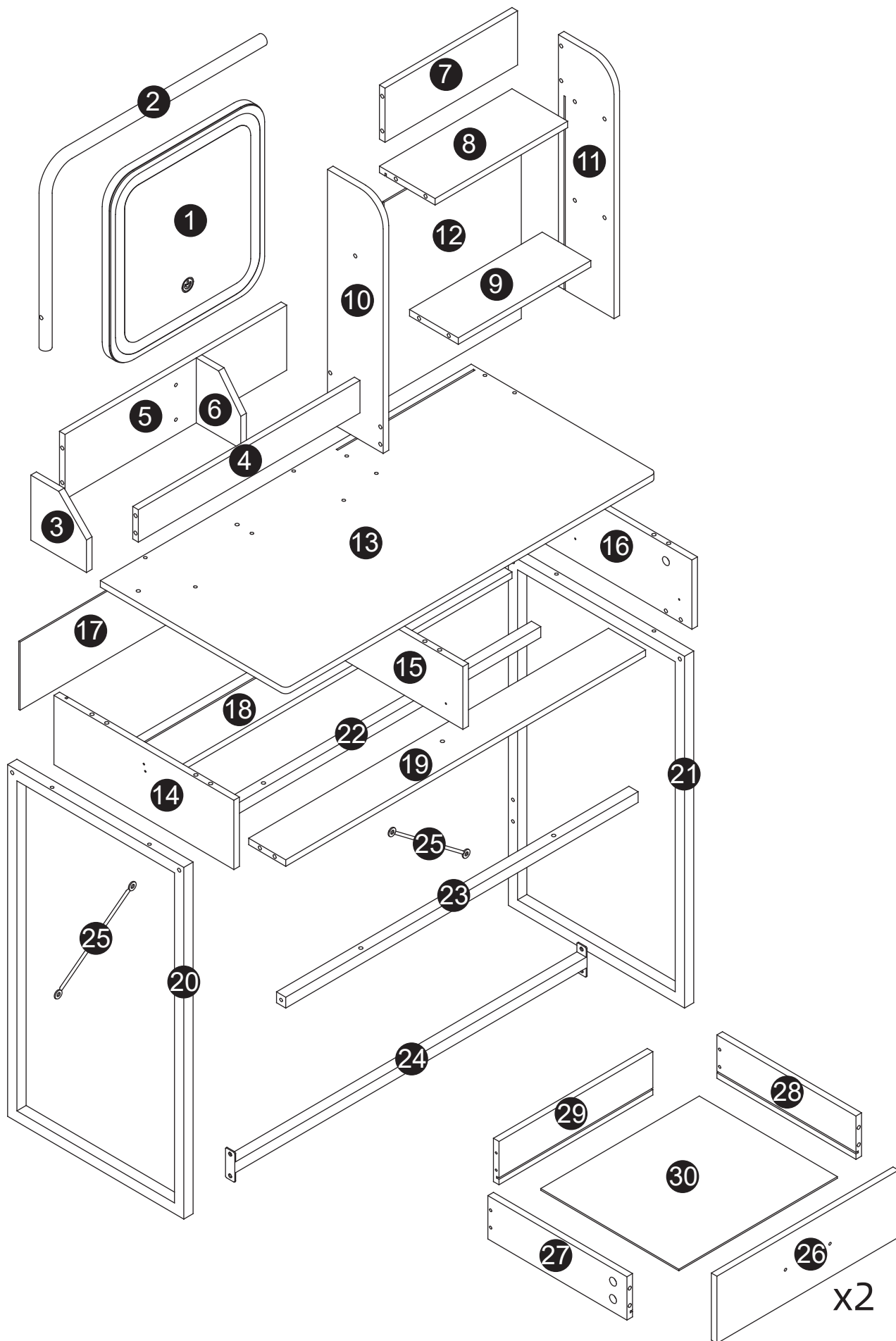
PRECAUTIONS

1. There are many components and accessories in the package. Each component and accessory is labeled with a letter or a number, check carefully before using any of them. Keep them away from children to prevent accidents.
2. Please install the product on a clean and soft underlay (such as carpet or cardboard) to avoid scratching or damaging the surface of the product.
3. The main components of the product is relatively heavy. Please pay attention to safety during installation.
4. The product is not stable during installation. Please do not move it randomly before it is completely installed.
5. If you have any questions during installation, please contact the customer service in time.

***PLEASE BE SURE TO FOLLOW THE INSTALLATION STEPS IN THE MANUAL TO AVOID UNNECESSARY LOSSES CAUSED BY IMPROPER INSTALLATION.**

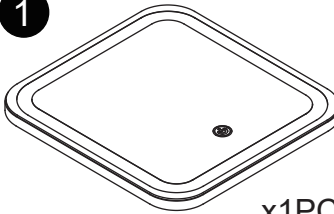
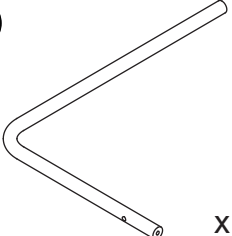
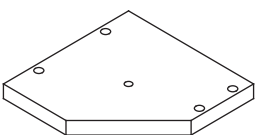
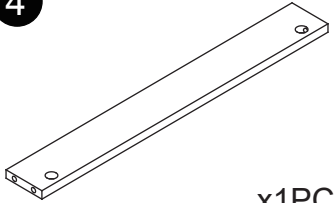
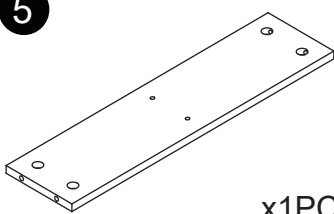
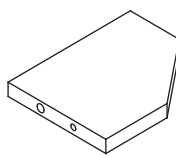
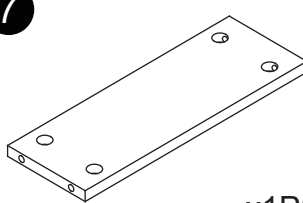
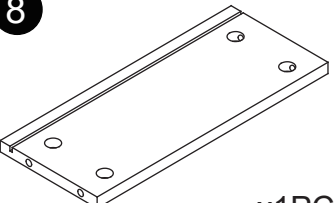
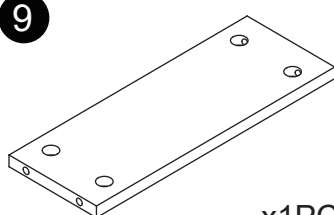
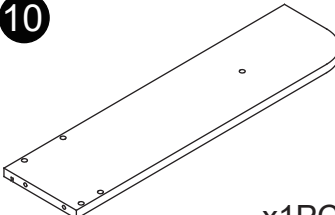
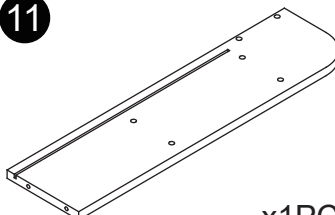
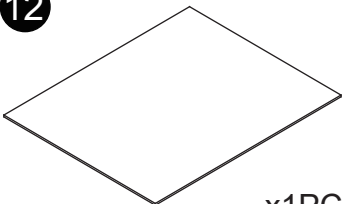
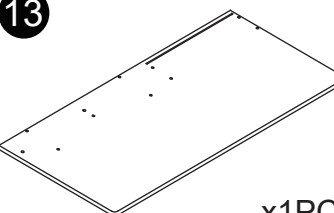
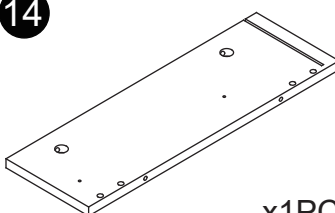
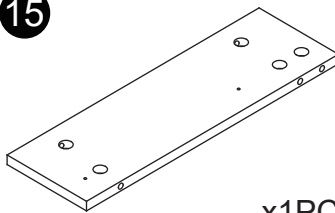
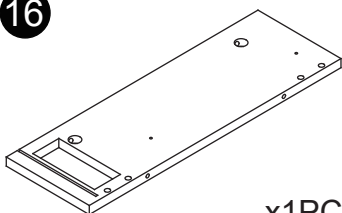
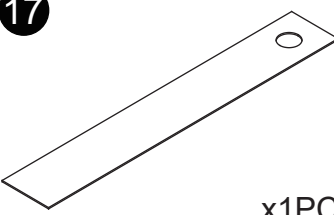
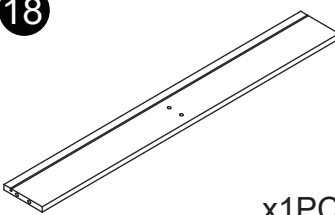
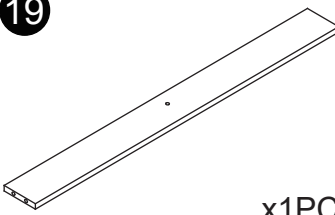
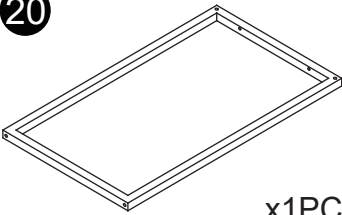
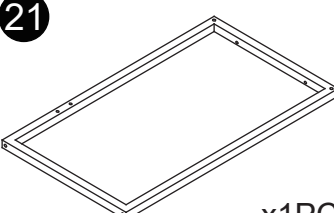
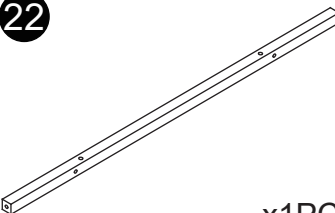
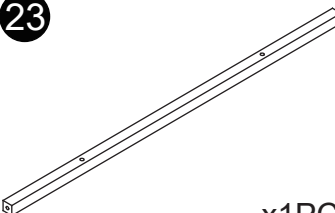
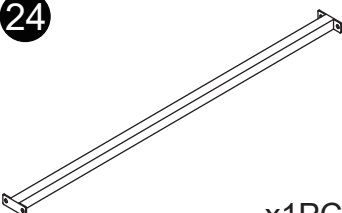
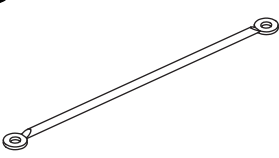
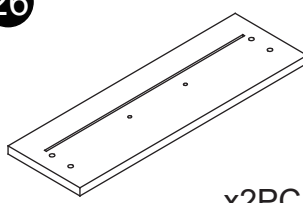
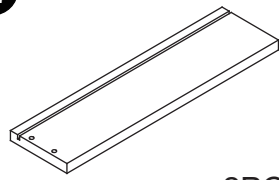
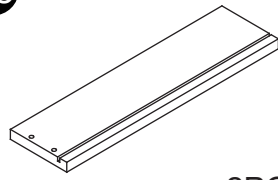
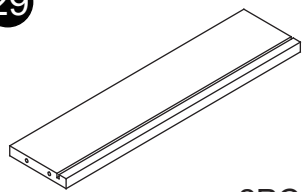
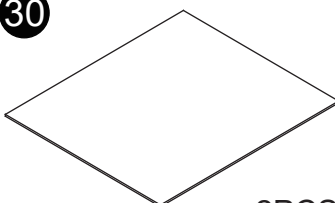
***IF YOU NEED FUTHER ASSIATANCE,PLEASE CONTACT THE CUSTOMER SERVICE ONLINE.**

PANEL LAYOUT

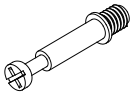

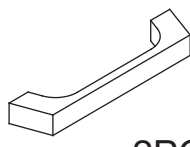
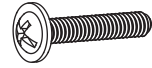


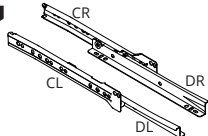
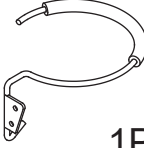
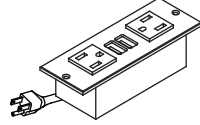
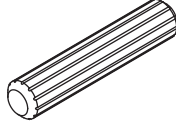
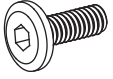
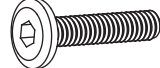
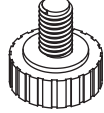


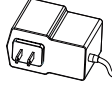


Due to the large number of boards, in order to facilitate the installation, please place the boards in order after opening the parcel and then start the installation.

PANEL LIST

<p>1</p>  <p>x1PC</p>	<p>2</p>  <p>x1PC</p>	<p>3</p>  <p>x1PC</p>	<p>4</p>  <p>x1PC</p>
<p>5</p>  <p>x1PC</p>	<p>6</p>  <p>x1PC</p>	<p>7</p>  <p>x1PC</p>	<p>8</p>  <p>x1PC</p>
<p>9</p>  <p>x1PC</p>	<p>10</p>  <p>x1PC</p>	<p>11</p>  <p>x1PC</p>	<p>12</p>  <p>x1PC</p>
<p>13</p>  <p>x1PC</p>	<p>14</p>  <p>x1PC</p>	<p>15</p>  <p>x1PC</p>	<p>16</p>  <p>x1PC</p>
<p>17</p>  <p>x1PC</p>	<p>18</p>  <p>x1PC</p>	<p>19</p>  <p>x1PC</p>	<p>20</p>  <p>x1PC</p>
<p>21</p>  <p>x1PC</p>	<p>22</p>  <p>x1PC</p>	<p>23</p>  <p>x1PC</p>	<p>24</p>  <p>x1PC</p>
<p>25</p>  <p>x2PCS</p>	<p>26</p>  <p>x2PCS</p>	<p>27</p>  <p>x2PCS</p>	<p>28</p>  <p>x2PCS</p>
<p>29</p>  <p>x2PCS</p>	<p>30</p>  <p>x2PCS</p>		

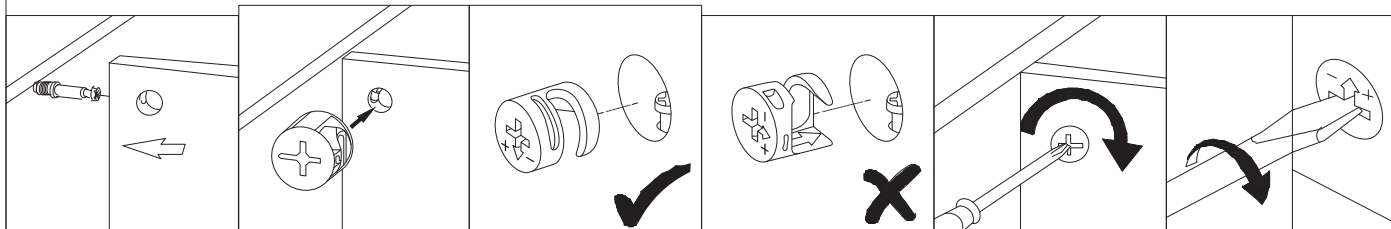
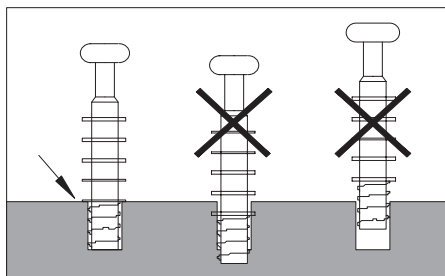
HARDWARE LIST

<p>A</p>  <p>43(+1)PCS</p>	<p>B</p>  <p>43(+1)PCS</p>	<p>C</p>  <p>2PCS</p>	<p>D</p>  <p>M4x18mm 4PCS</p>	<p>E</p>  <p>M5x40mm 23(+1)PCS</p>
<p>F</p>  <p>M3.5x12mm 16PCS</p>	<p>G</p>  <p>2PCS</p>	<p>H</p>  <p>1PC</p>	<p>I</p>  <p>1PC</p>	<p>J</p>  <p>9PCS</p>
<p>K</p>  <p>M6x15mm 8PCS</p>	<p>L</p>  <p>M6x30mm 11PCS</p>	<p>M</p>  <p>4PCS</p>	<p>N</p>  <p>2PCS</p>	<p>O</p>  <p>M3.5x14mm 8PCS</p>
<p>P</p>  <p>1PC</p>	<p>Q</p>  <p>1PC</p>			

Tips

1. When installing the product, use a soft surface (such as carpet or cardboard) to avoid scratching or damaging the surface of the product.
2. Please try to use a manual screwdriver instead of electric screw driver. A manual screwdriver can be used to better control the tightness of the screws.
3. Do not use any glue.
4. The product is unstable before it is assembled. Please pay attention to the product installation sequence, and align all screws and screw holes before tightening.
5. The structure of this product can not meet the requirements of children climbing.

Installation method of three
in one rod and buckle



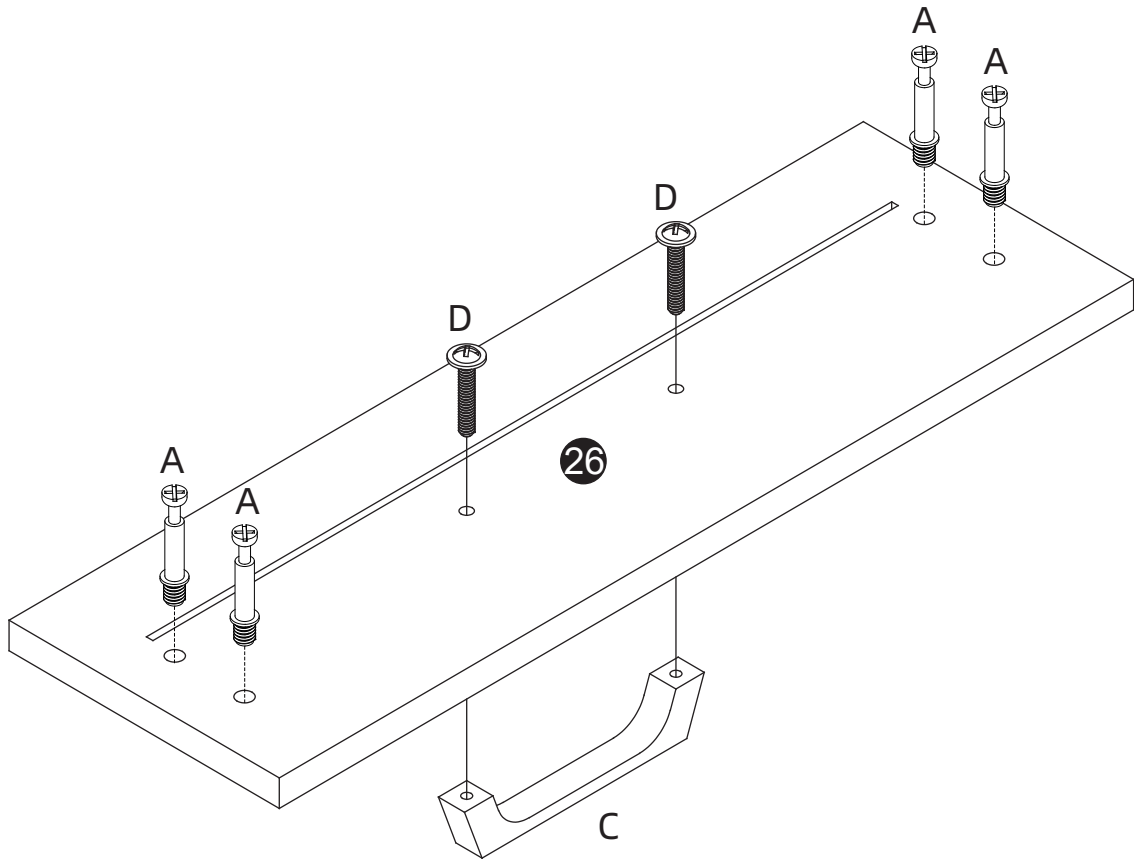
INSTALLATION STEPS

STEP 1

Ax8

Cx2

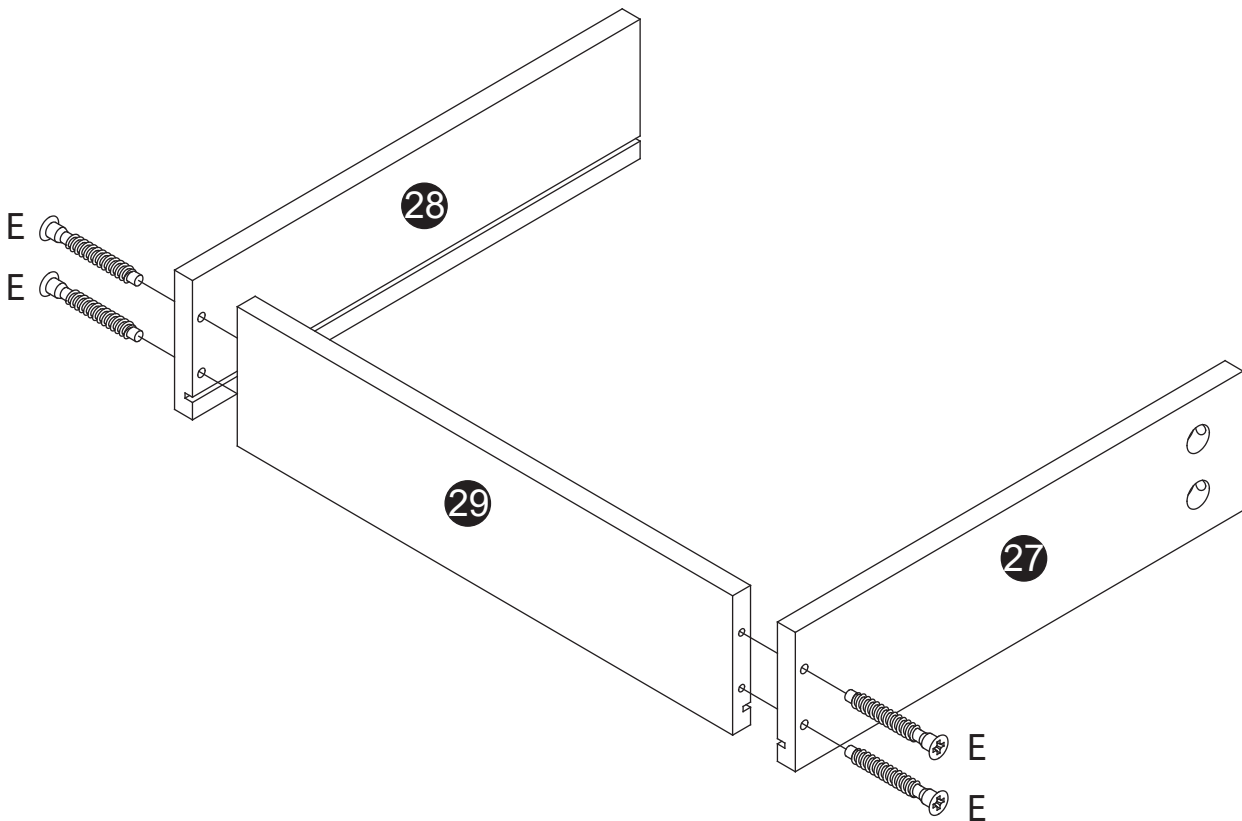
Dx4



x2

STEP 2

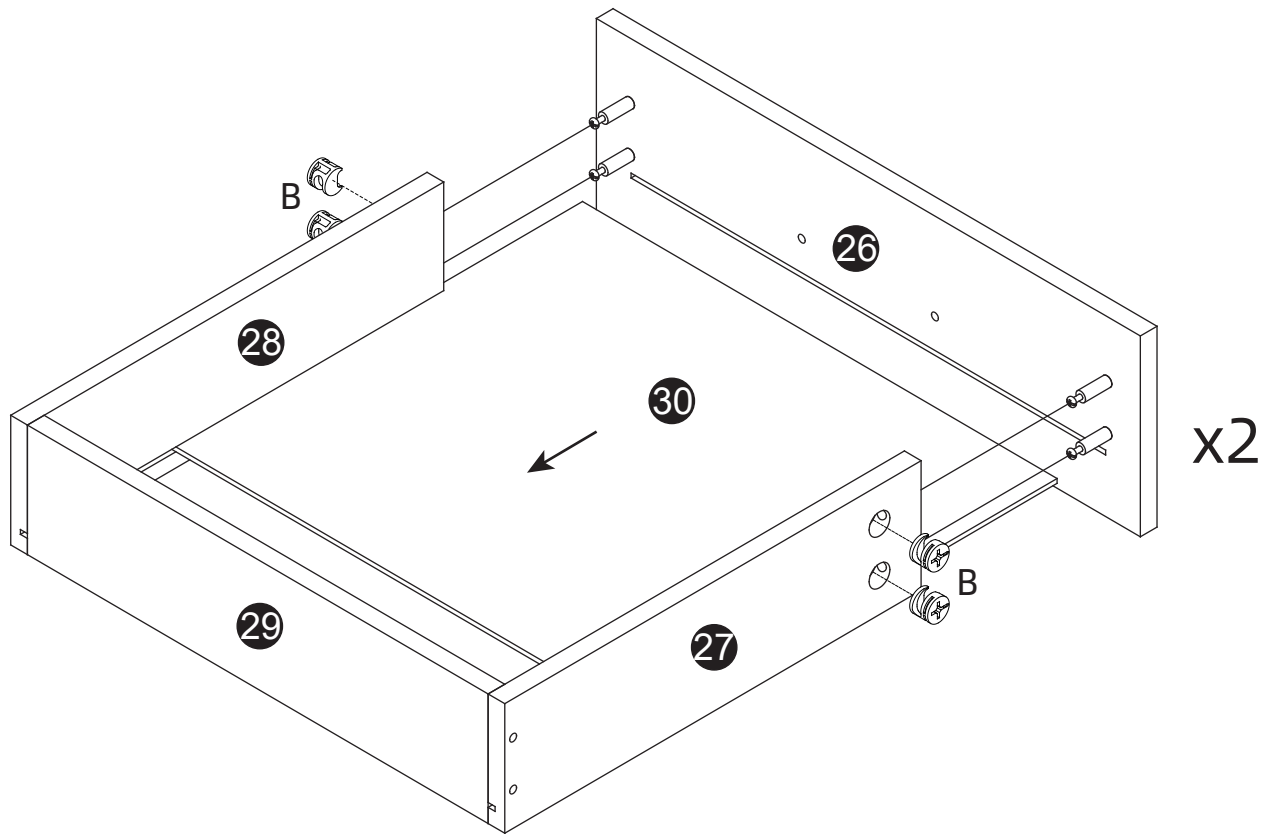
Ex8



x2

STEP 3

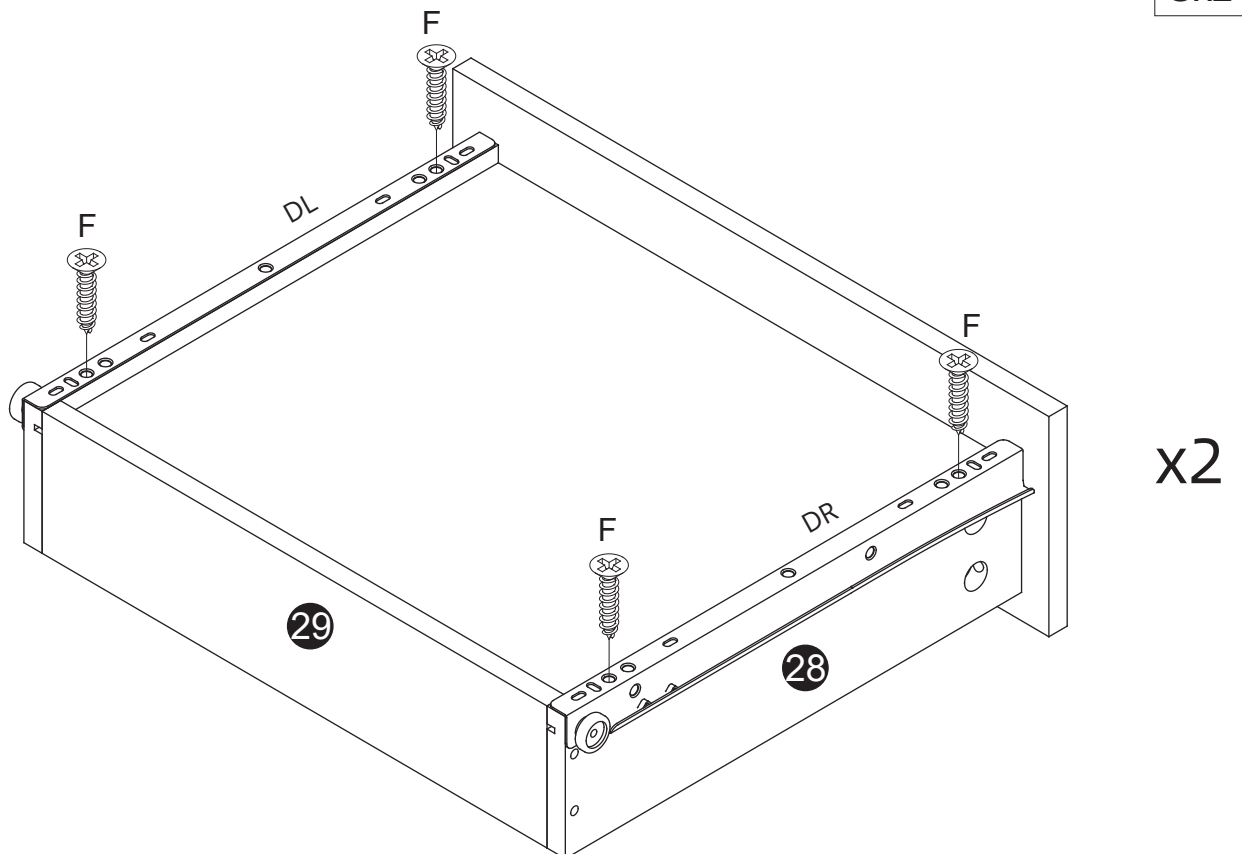
Bx8



STEP 4

Fx8

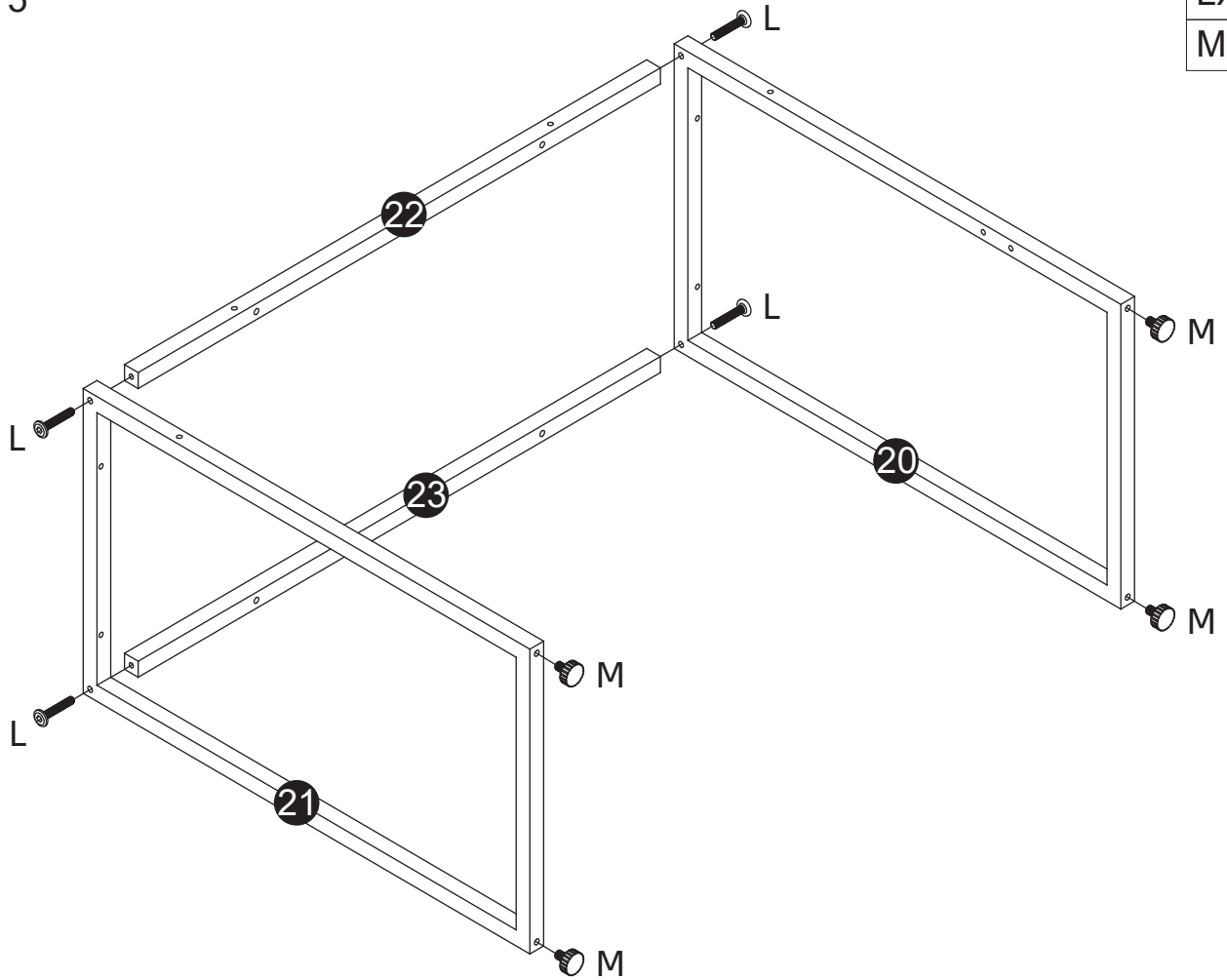
Gx2



STEP 5

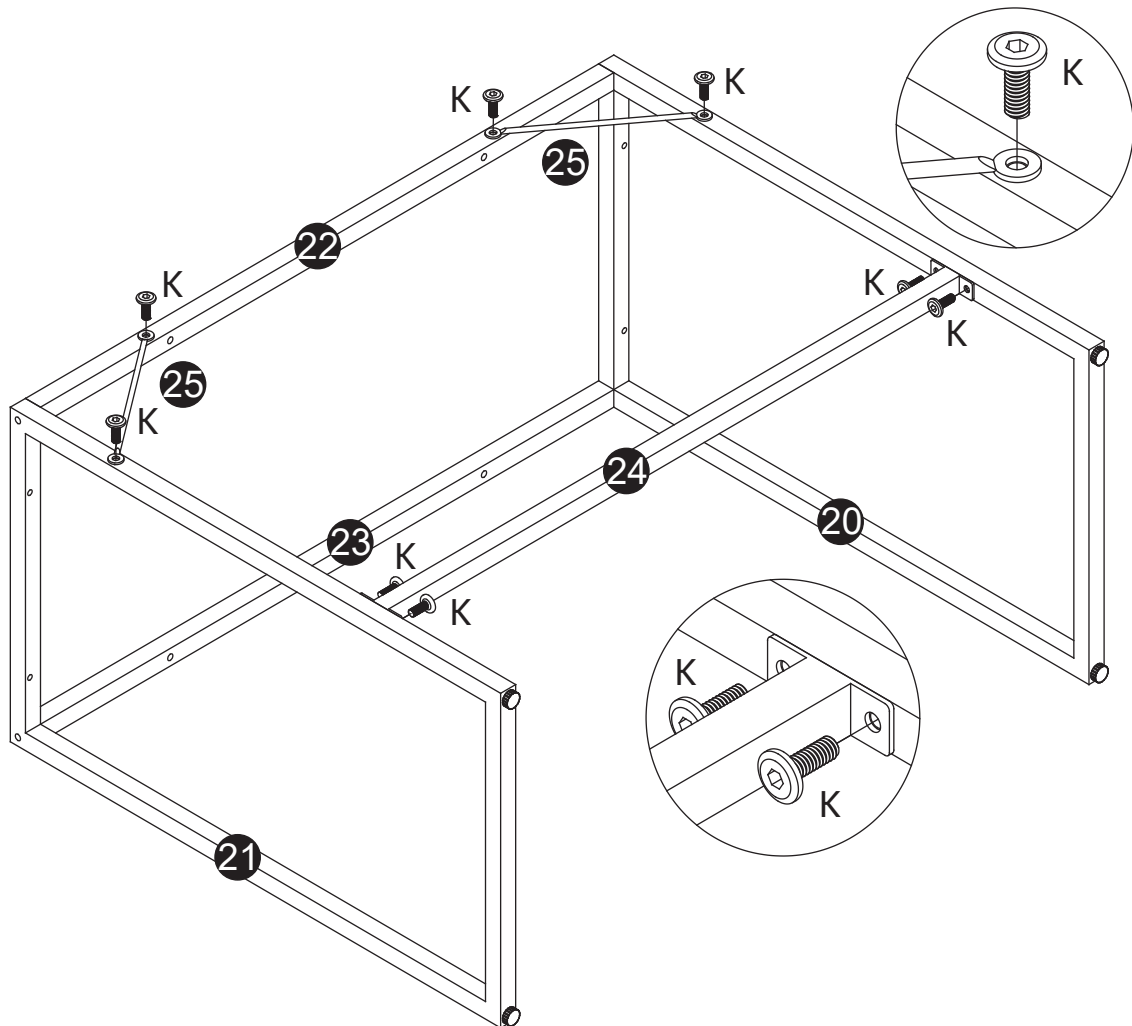
Lx4

Mx4



STEP 6

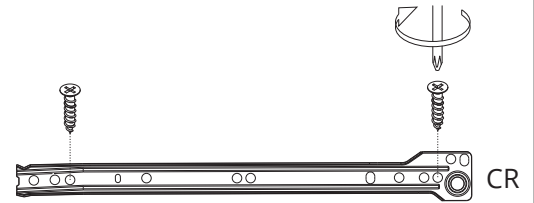
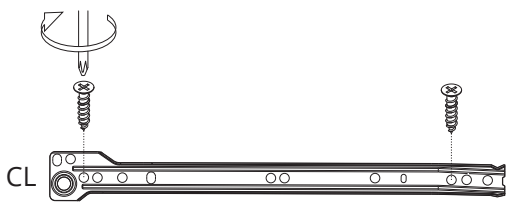
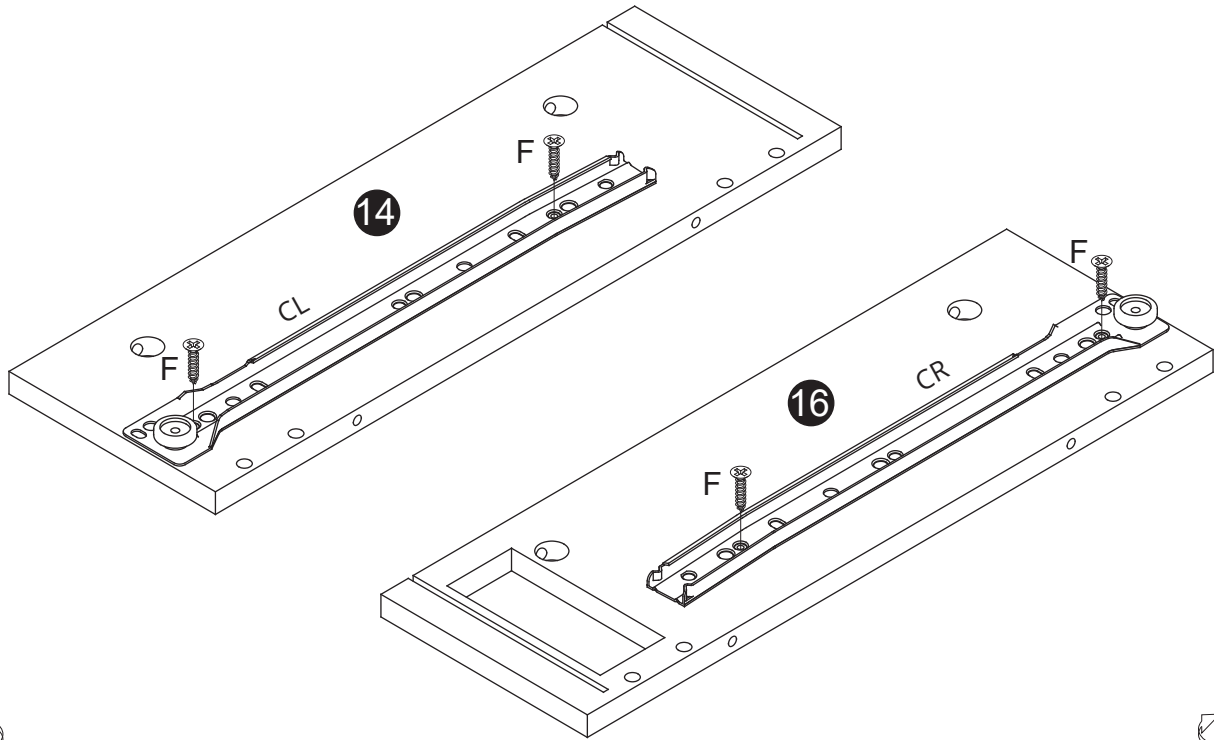
Kx8



STEP 7

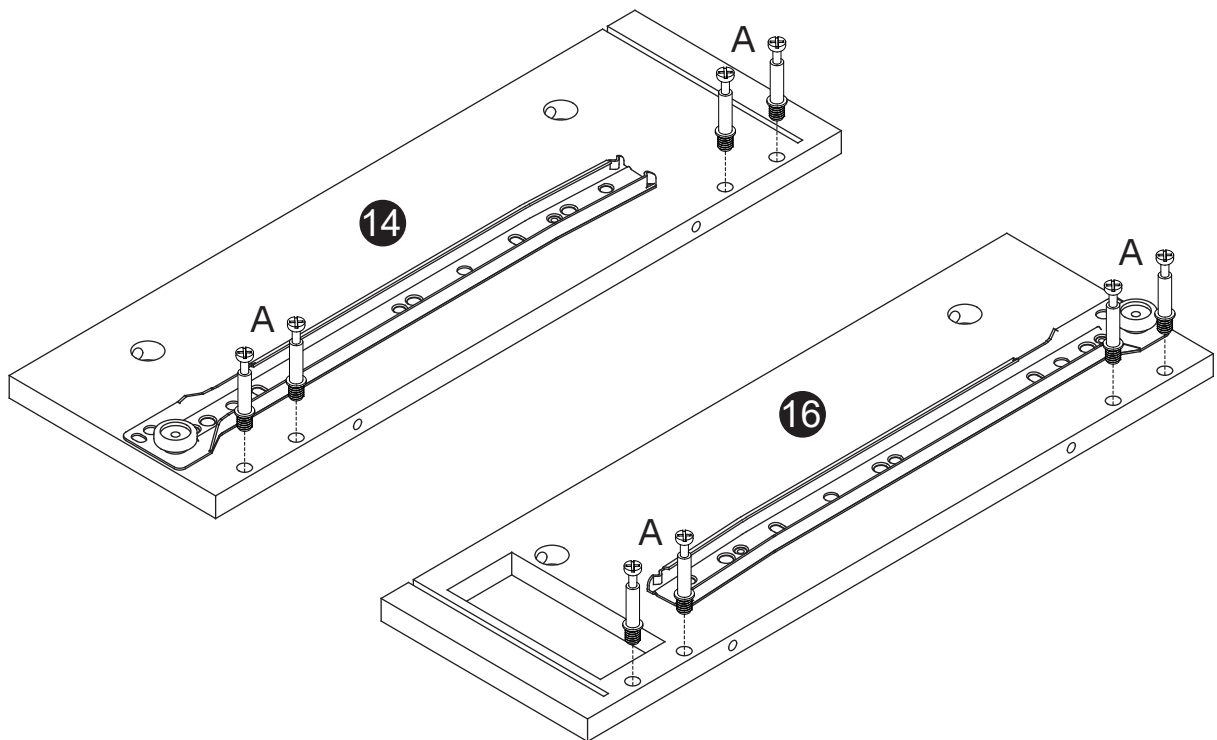
Fx4

Gx1



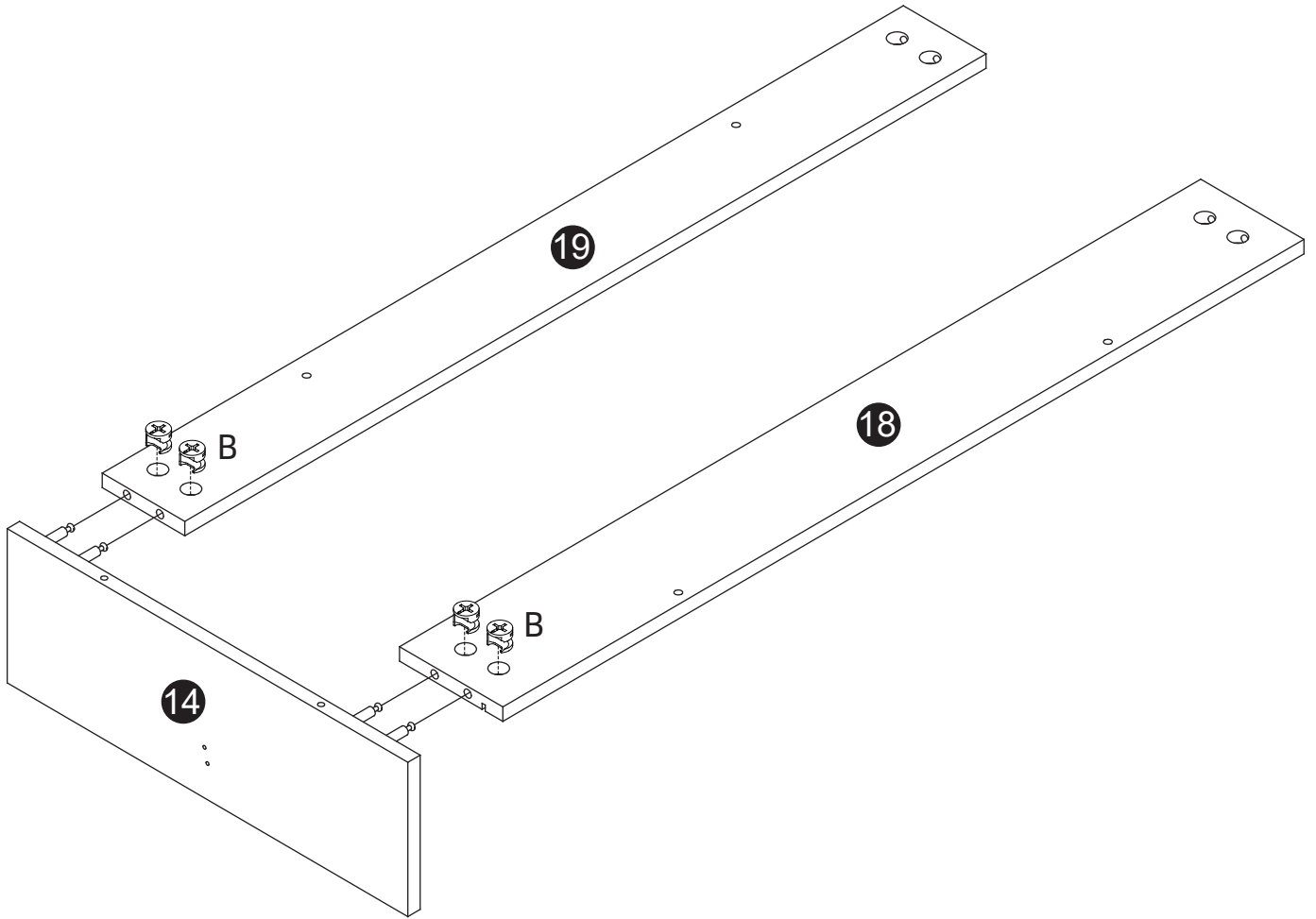
STEP 8

Ax8



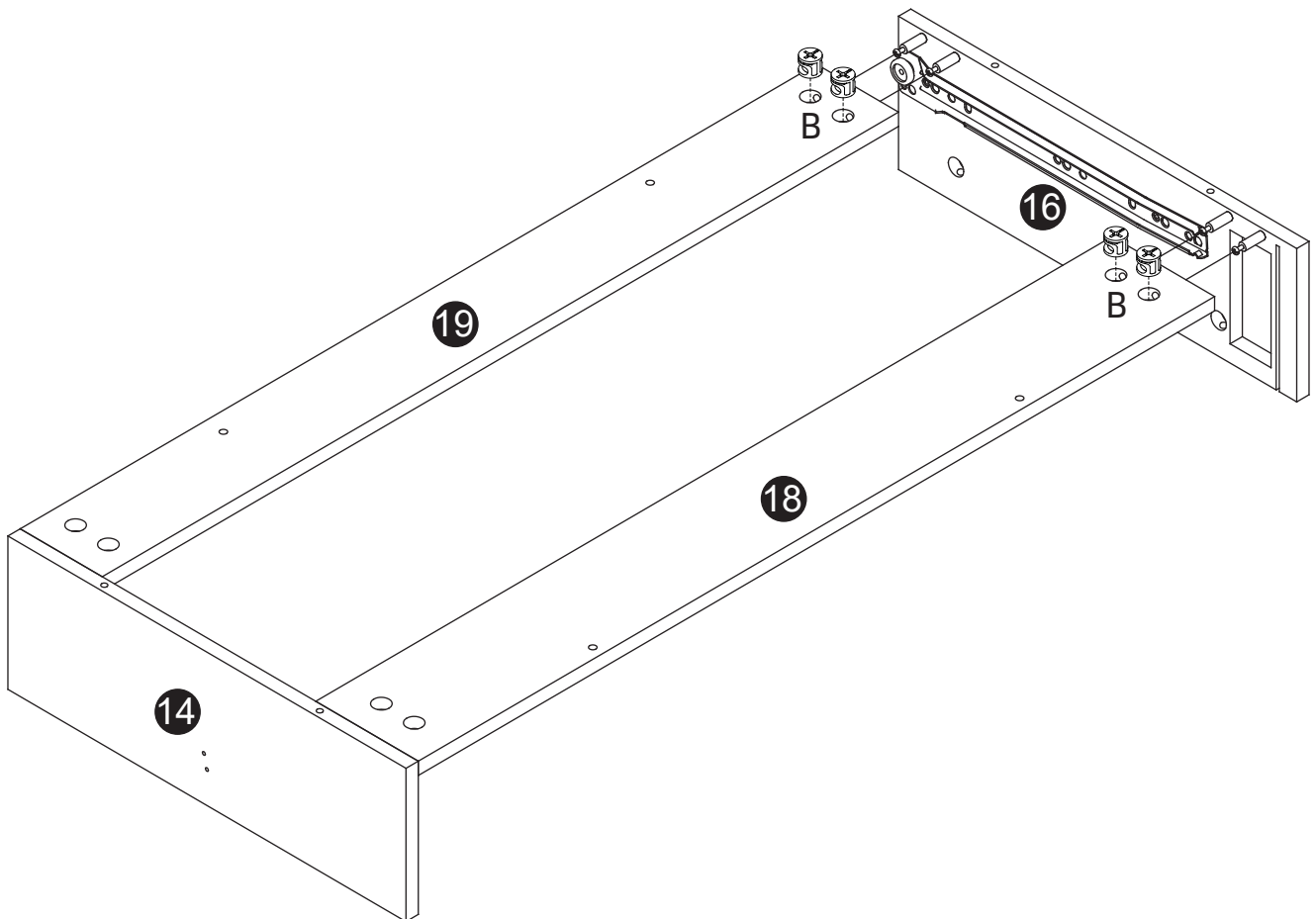
STEP 9

Bx4



STEP 10

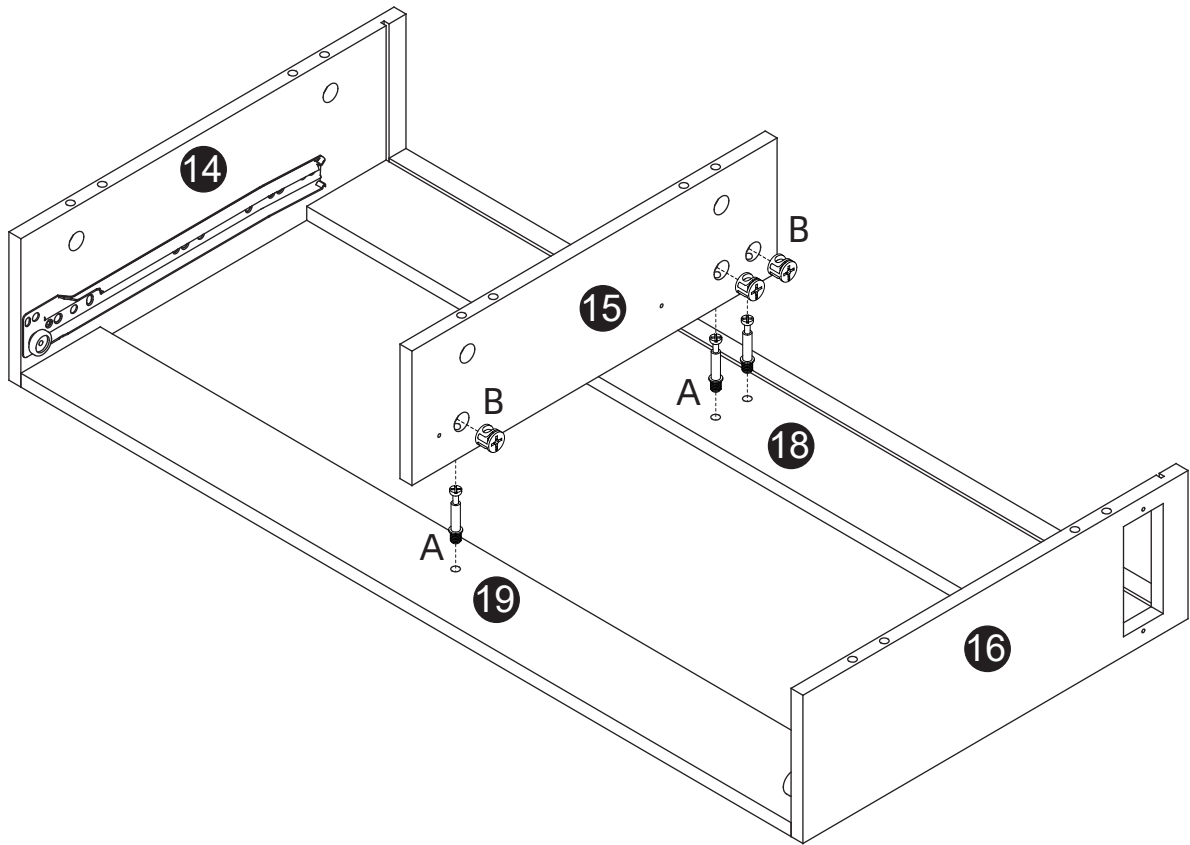
Bx4



STEP 11

Ax3

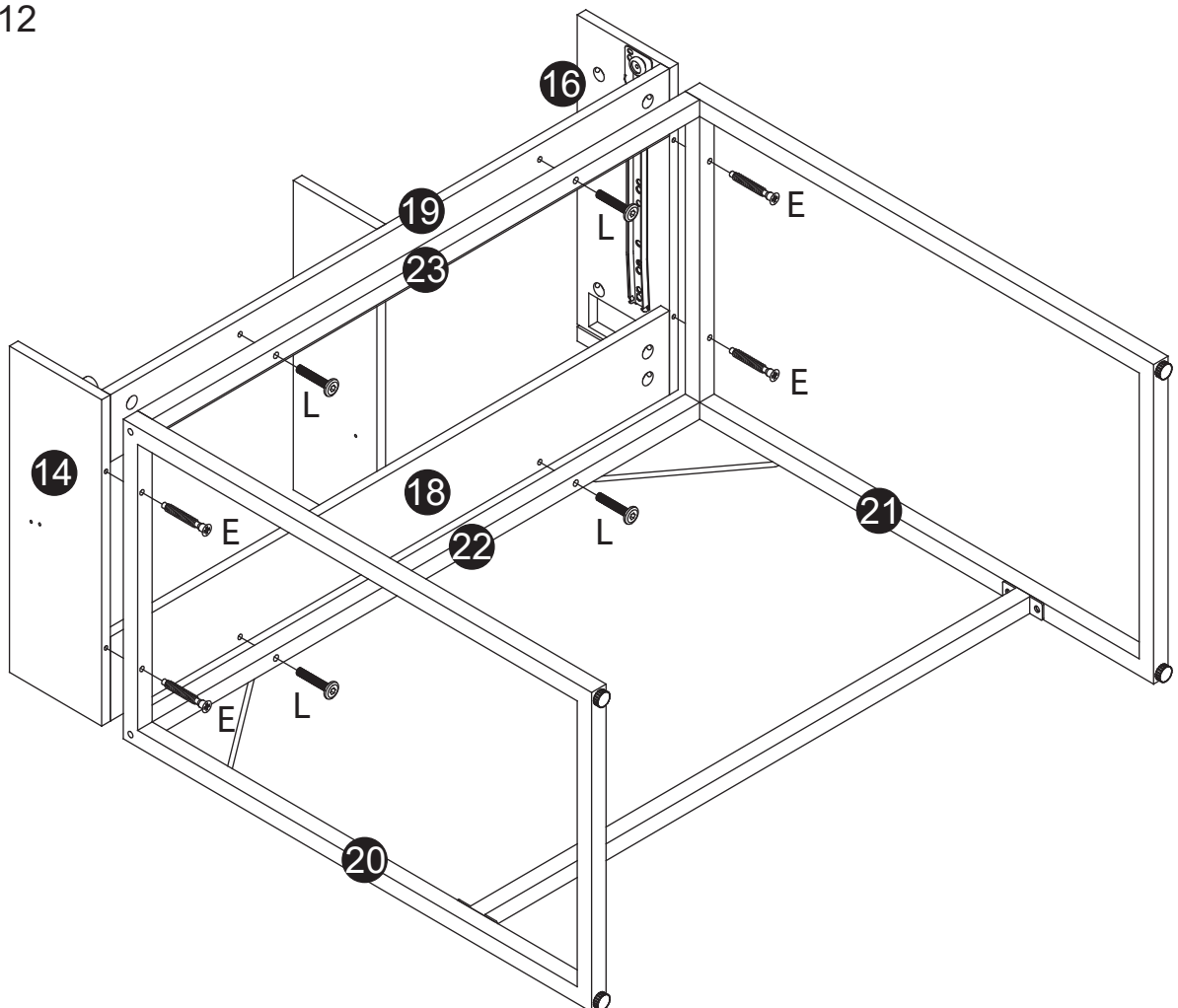
Bx3



STEP 12

Ex4

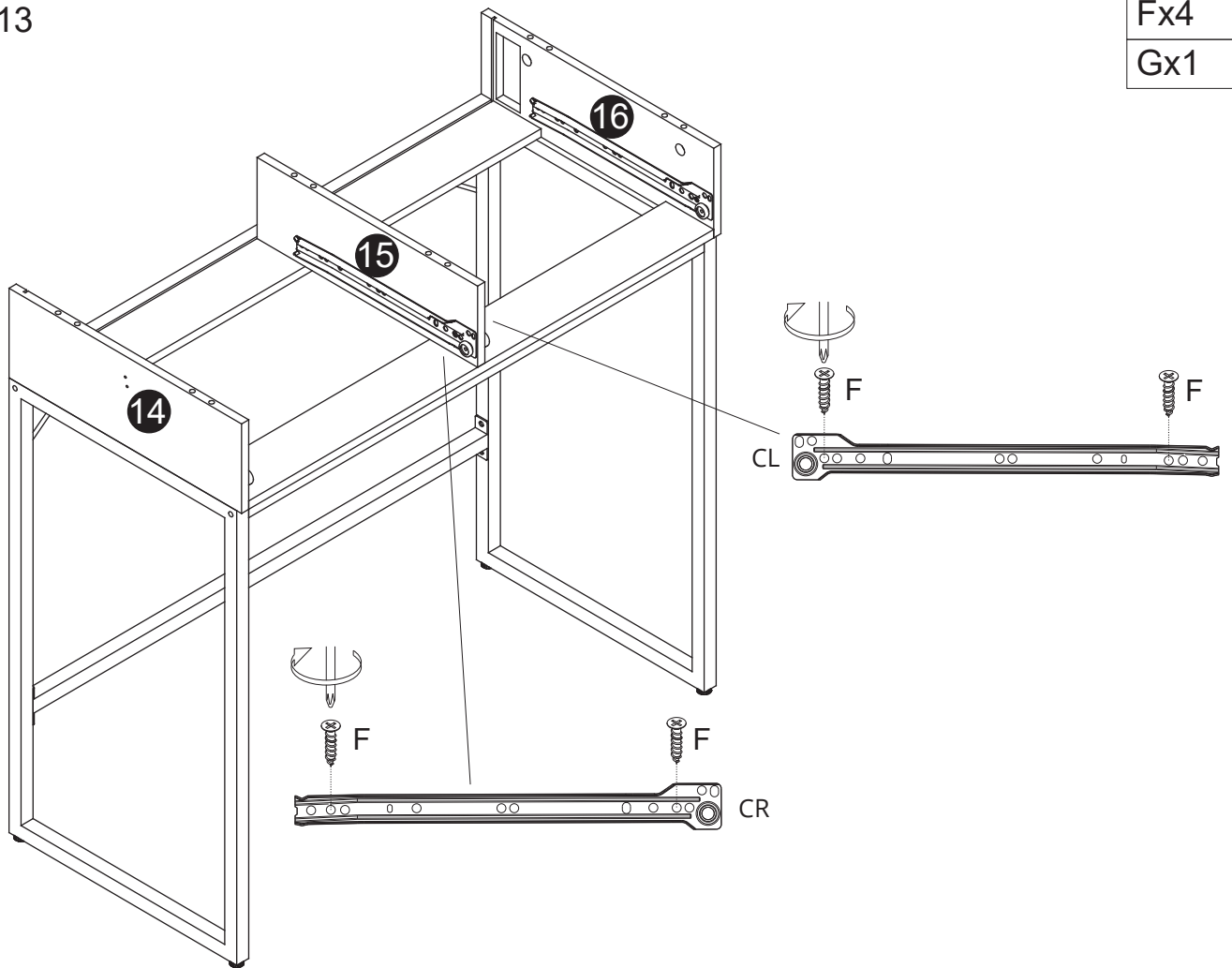
Lx4



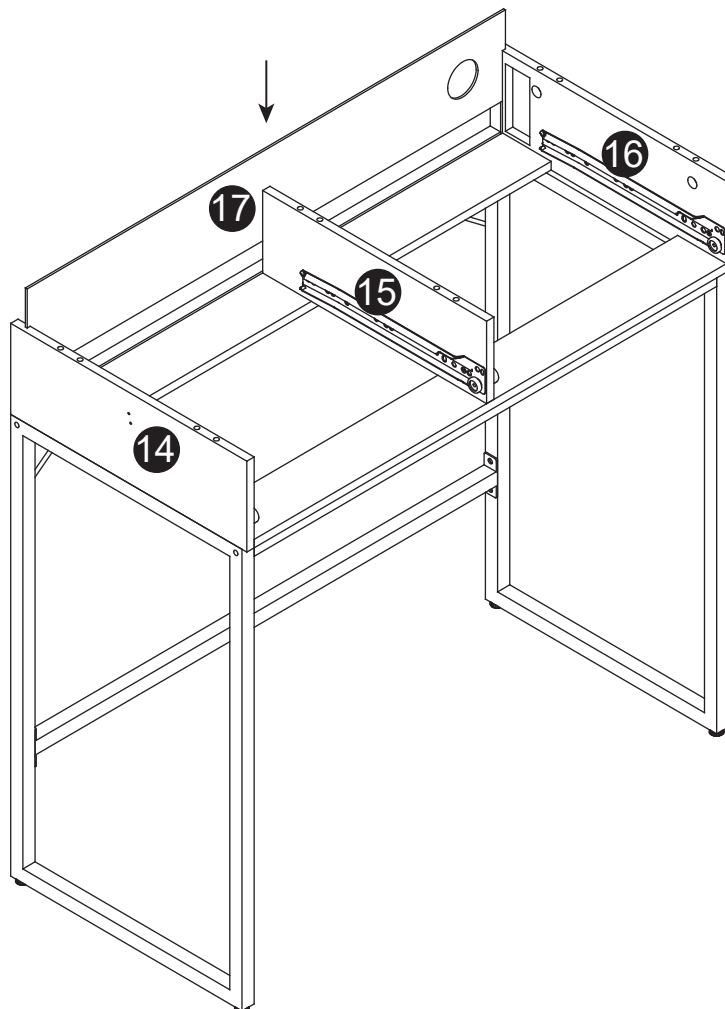
STEP 13

Fx4

Gx1



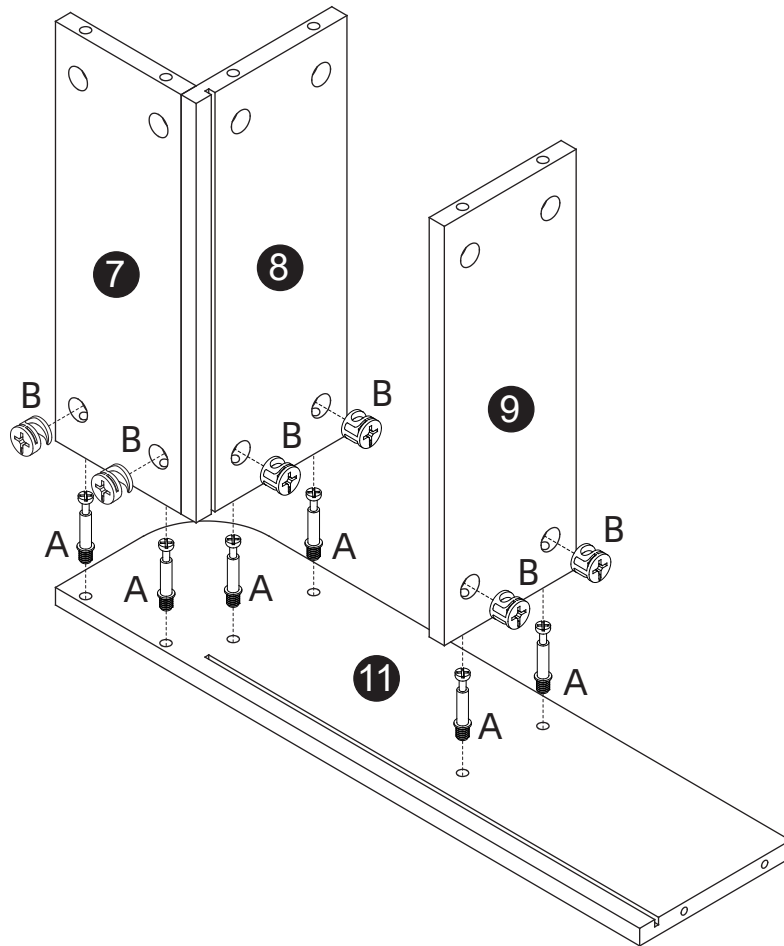
STEP 14



STEP 15

Ax6

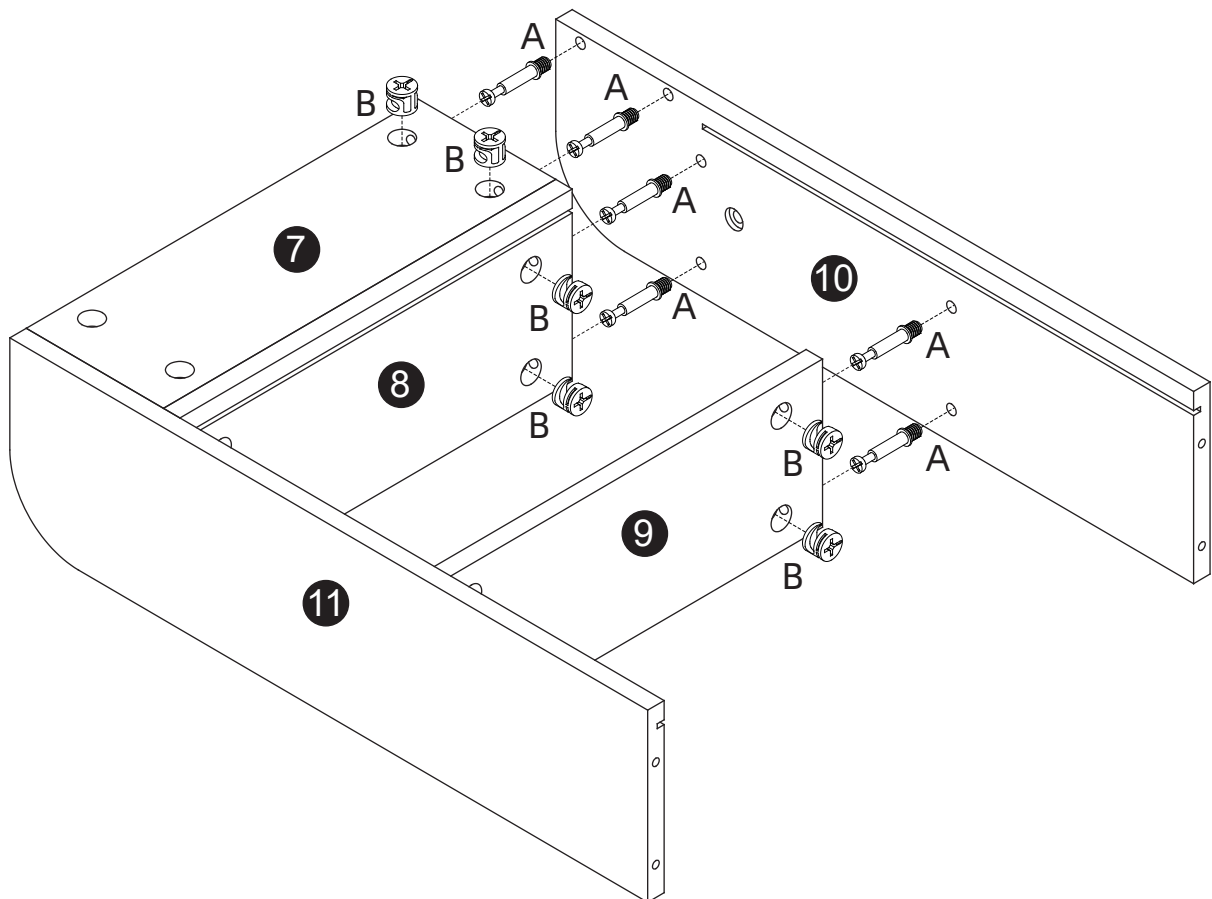
Bx6



STEP 16

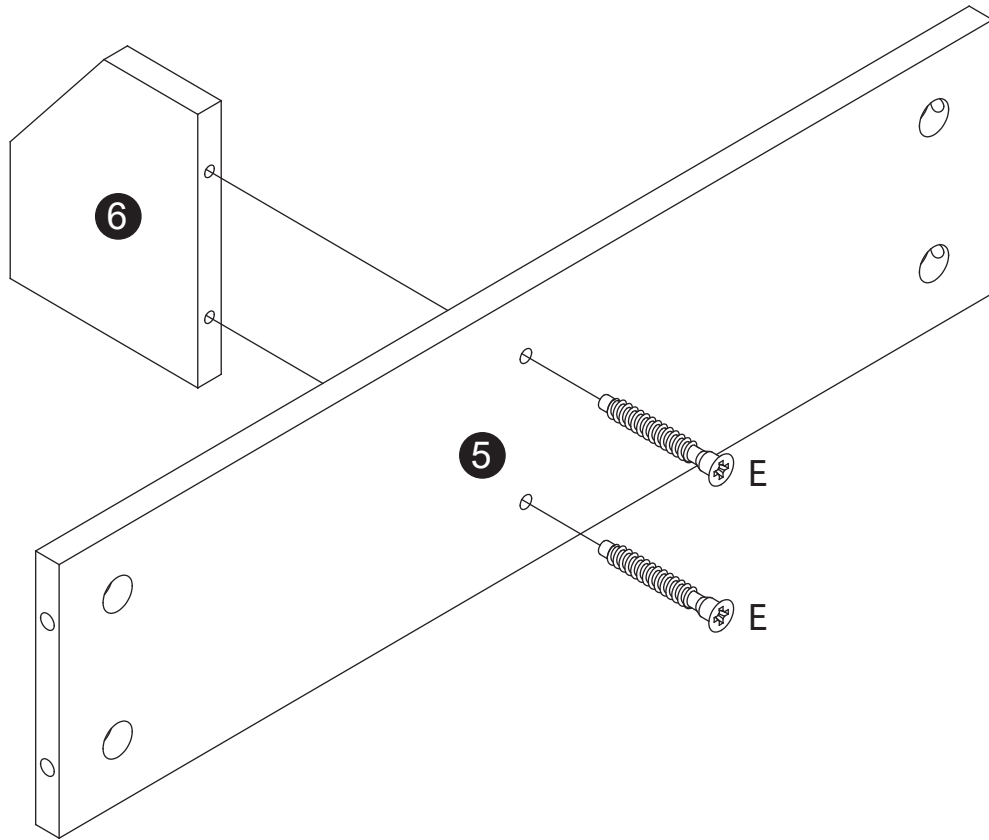
Ax6

Bx6



STEP 17

Ex2

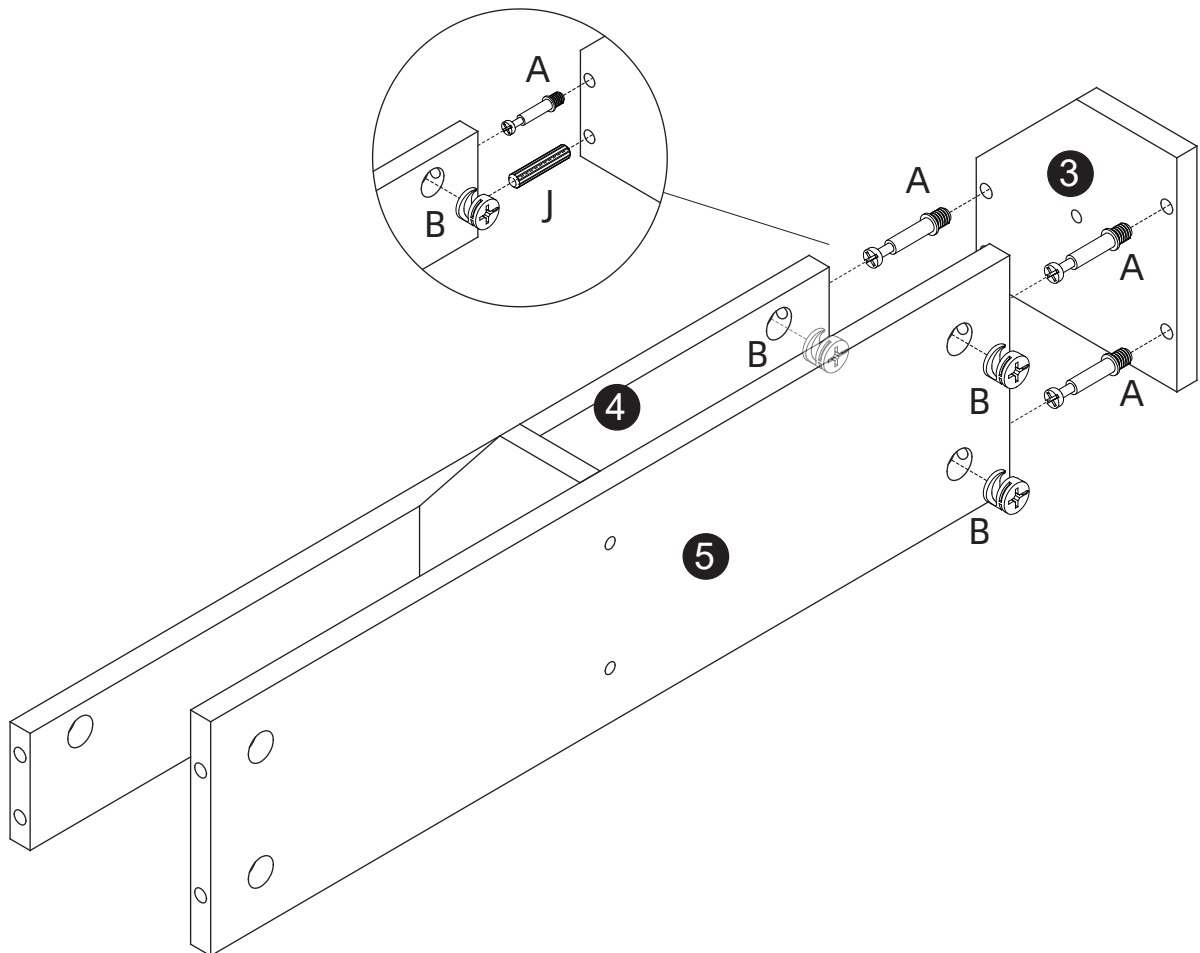


STEP 18

Ax3

Bx3

Jx1

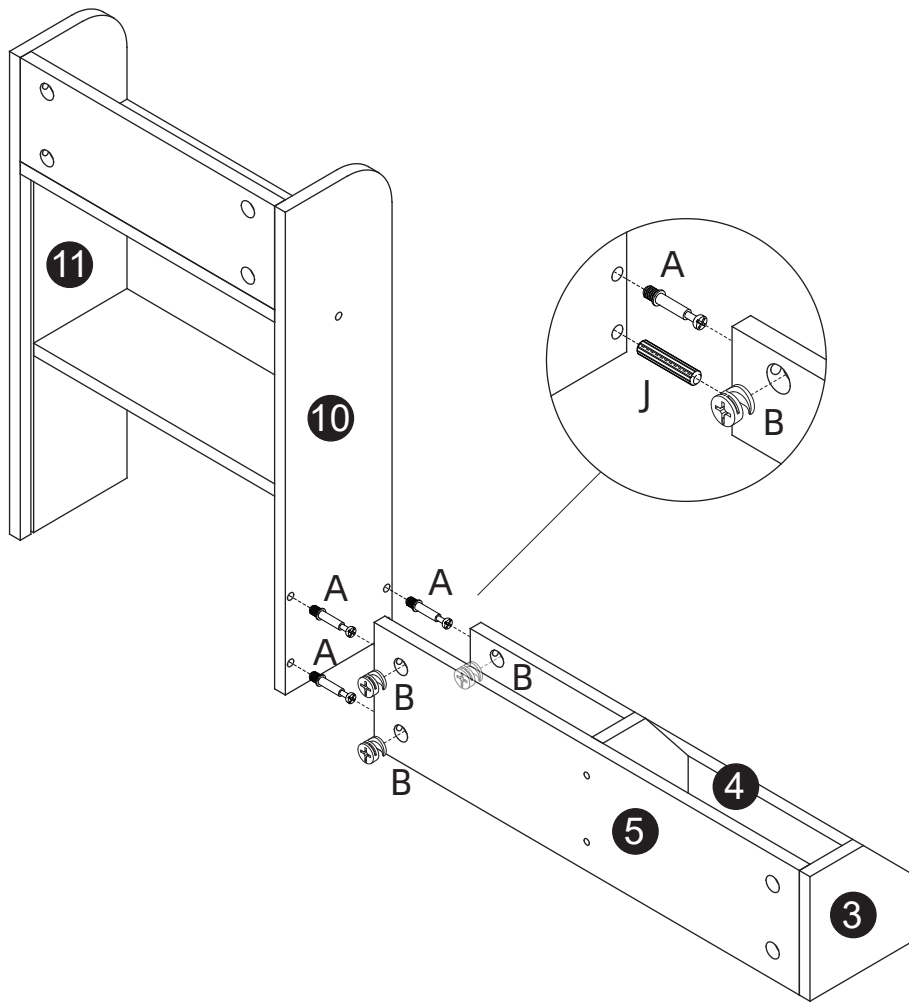


STEP 19

Ax3

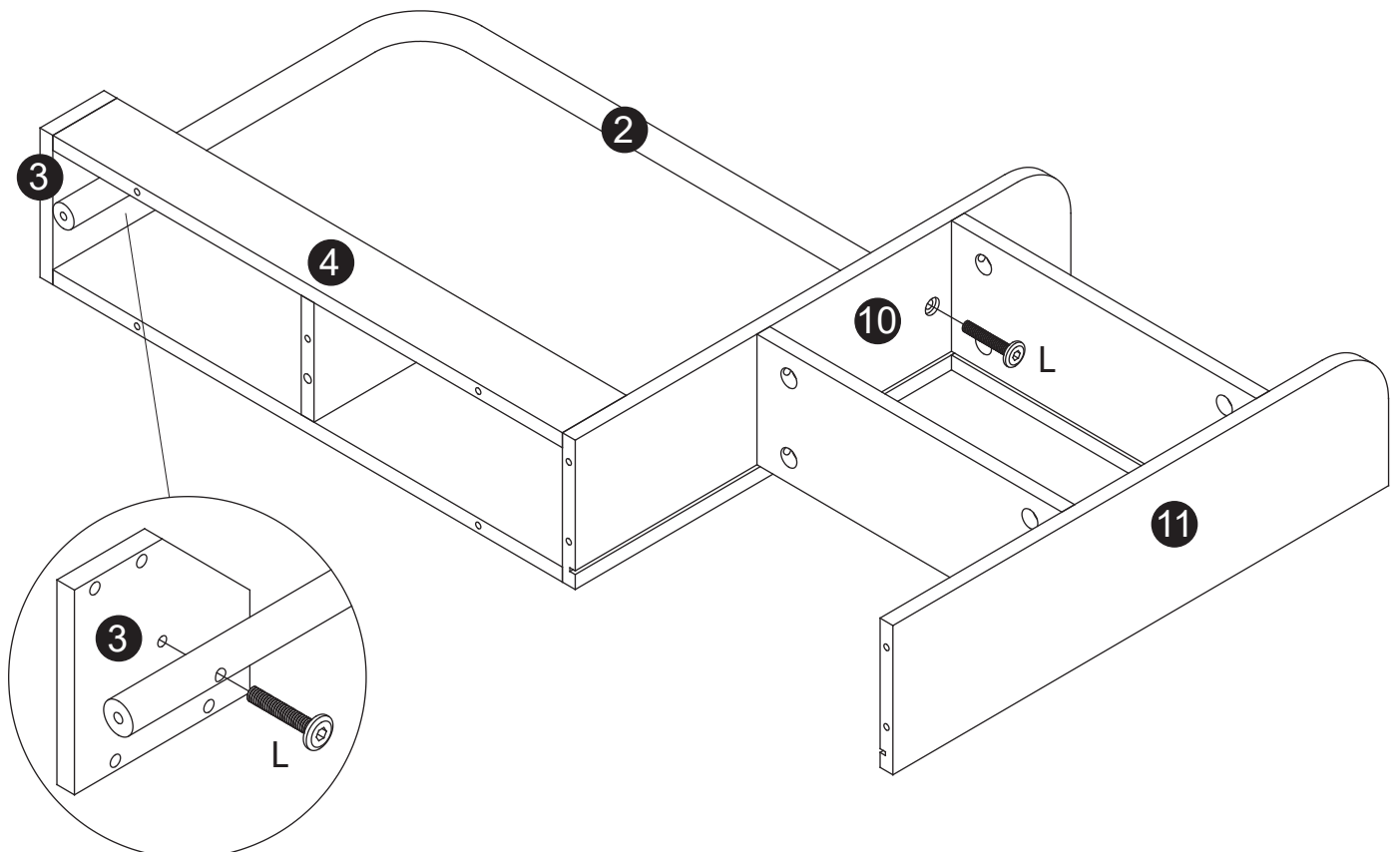
Bx3

Jx1



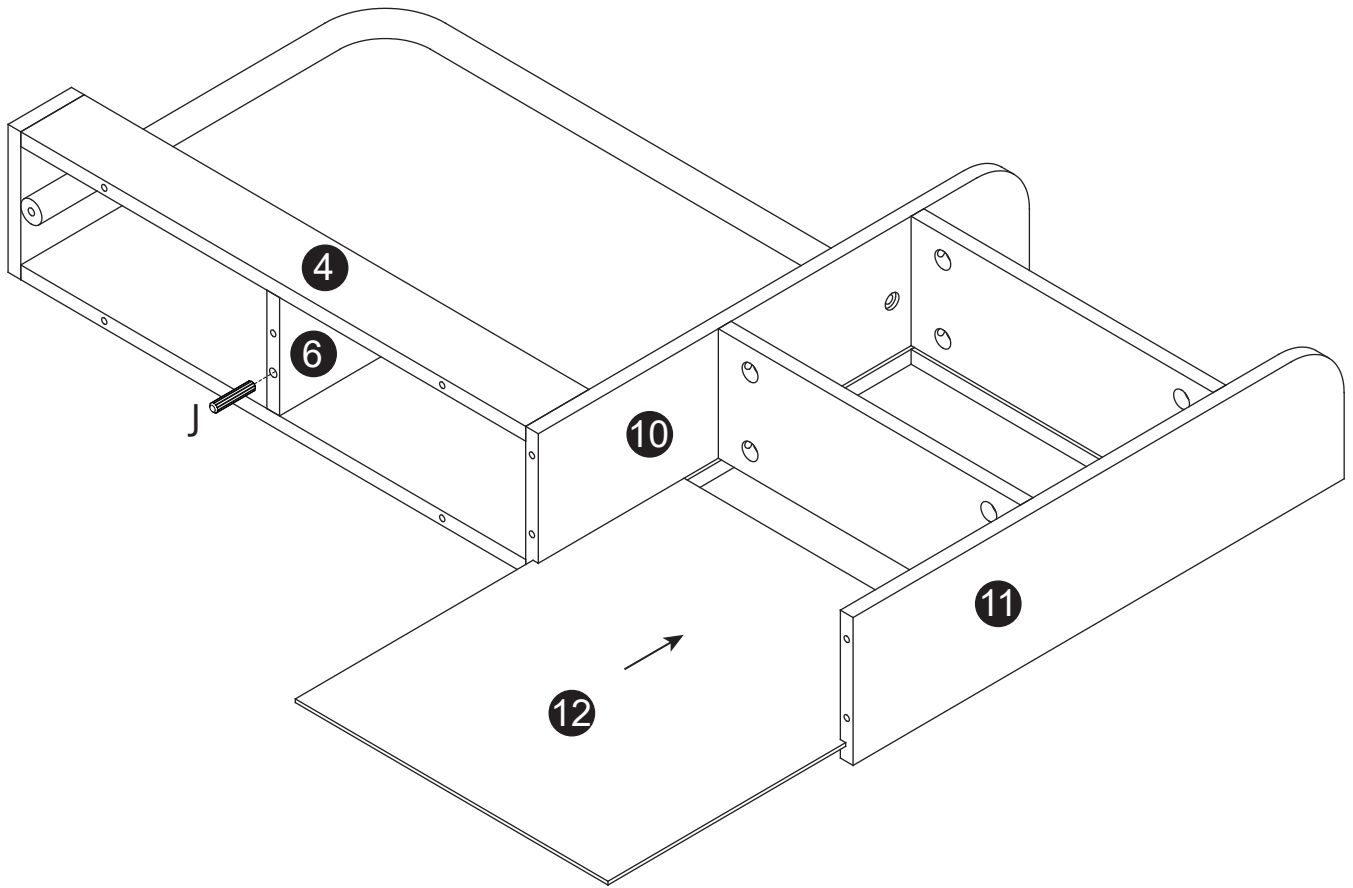
STEP 20

Lx2



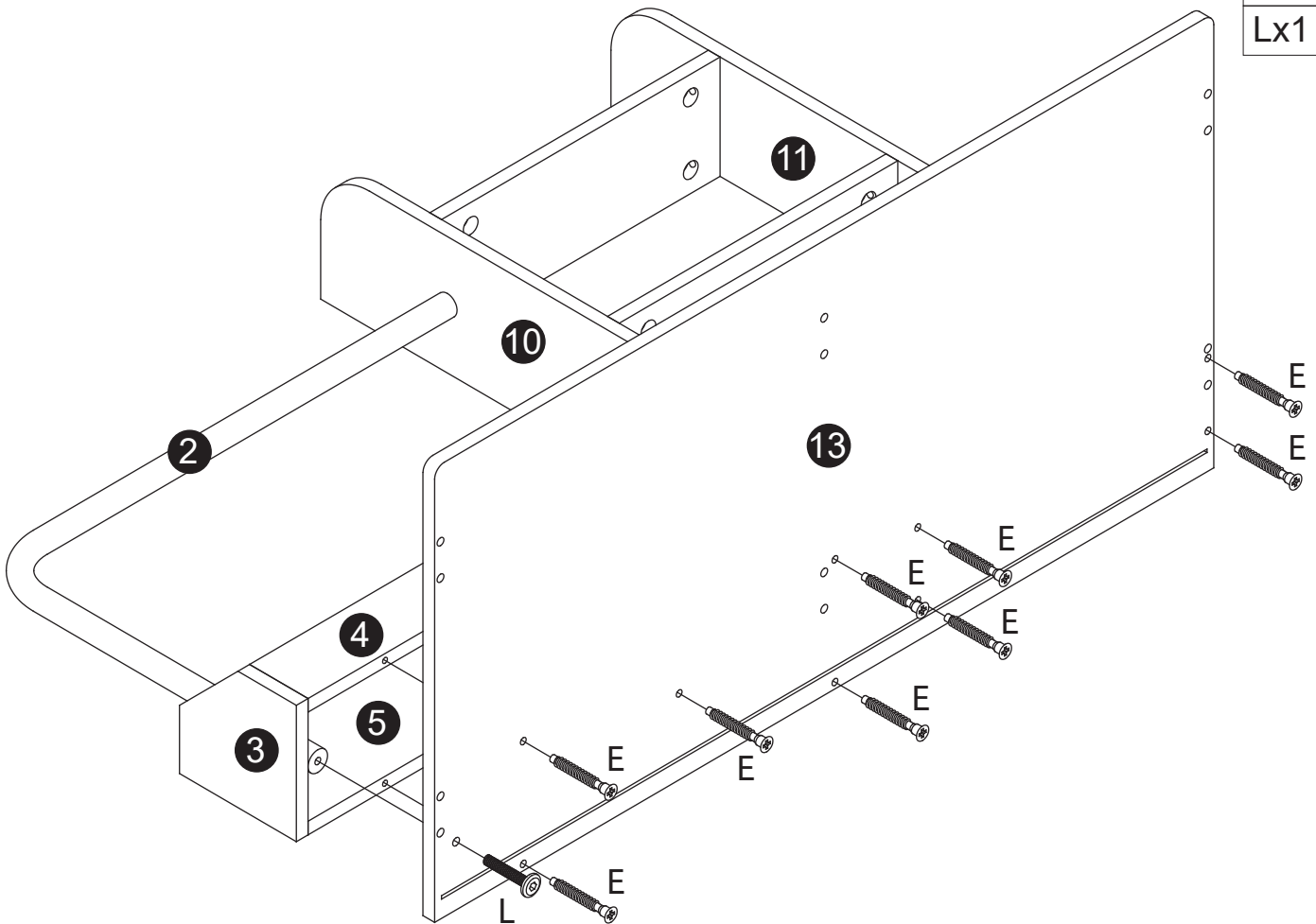
STEP 21

Jx1



STEP 22

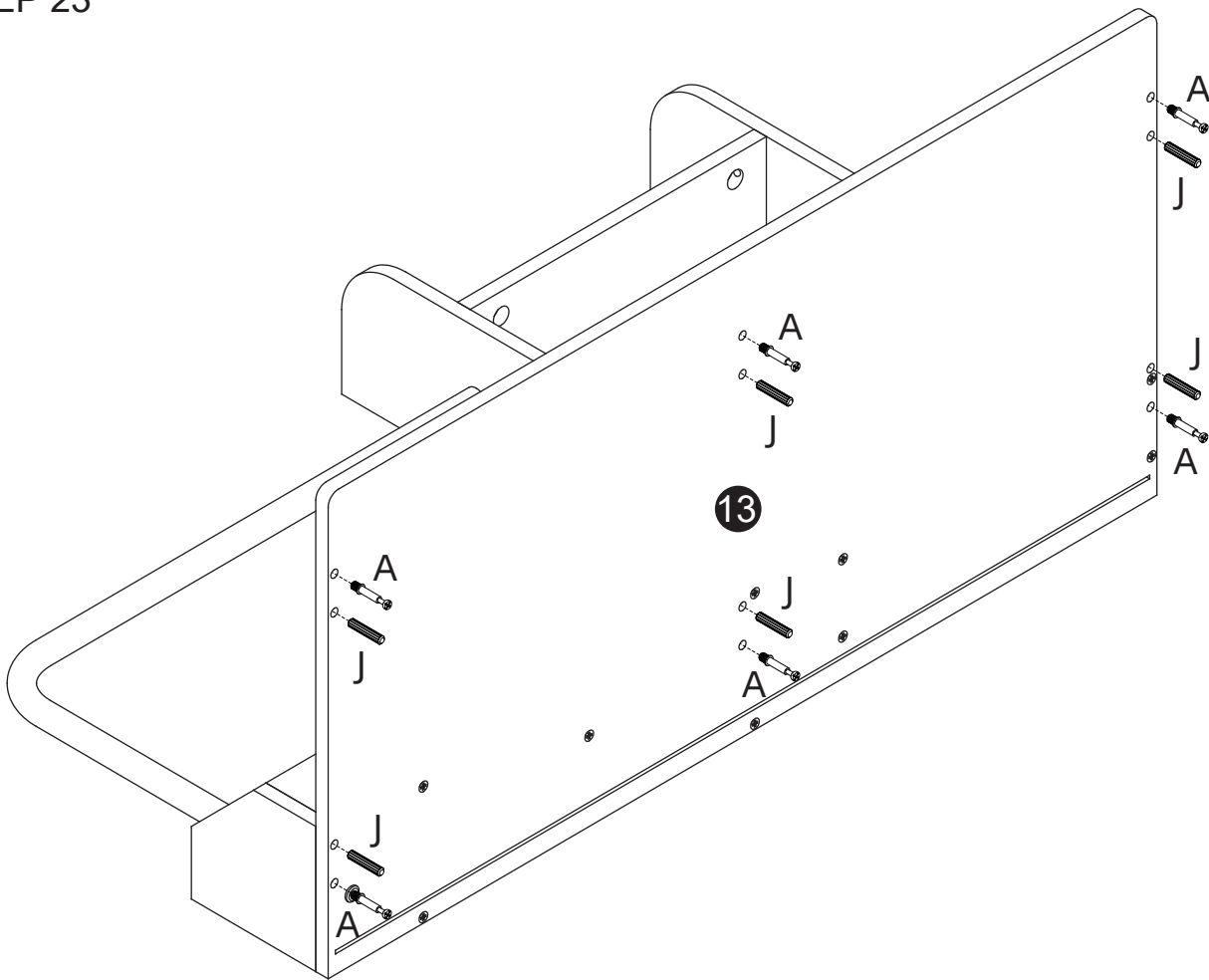
Ex9
Lx1



STEP 23

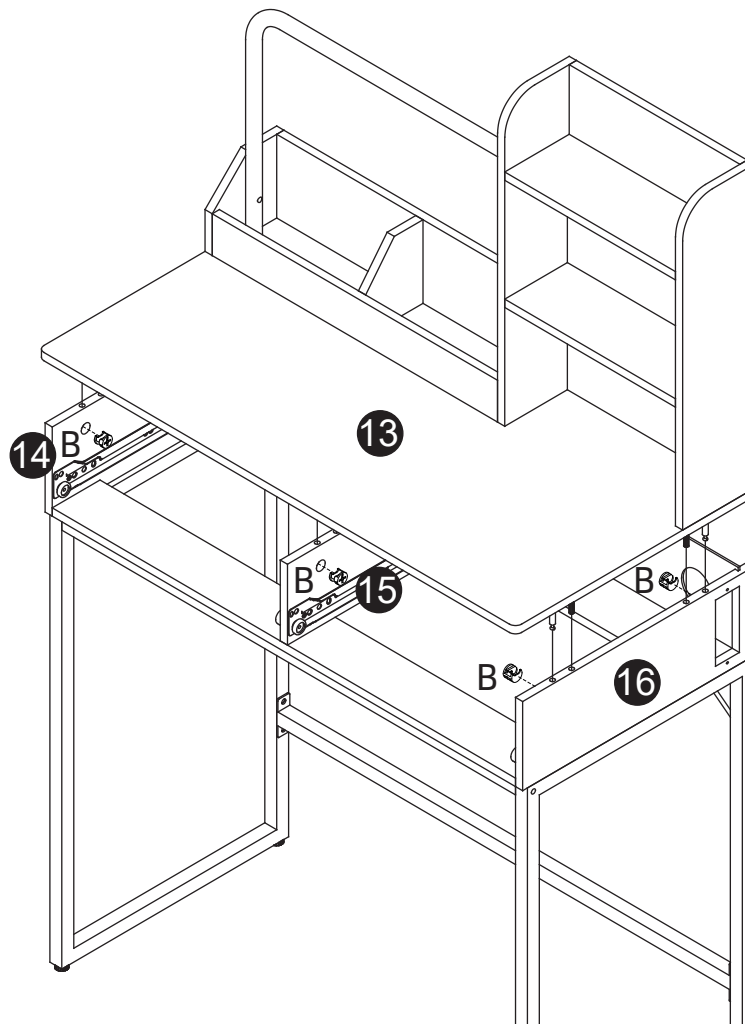
Ax6

Jx6



STEP 24

Bx6

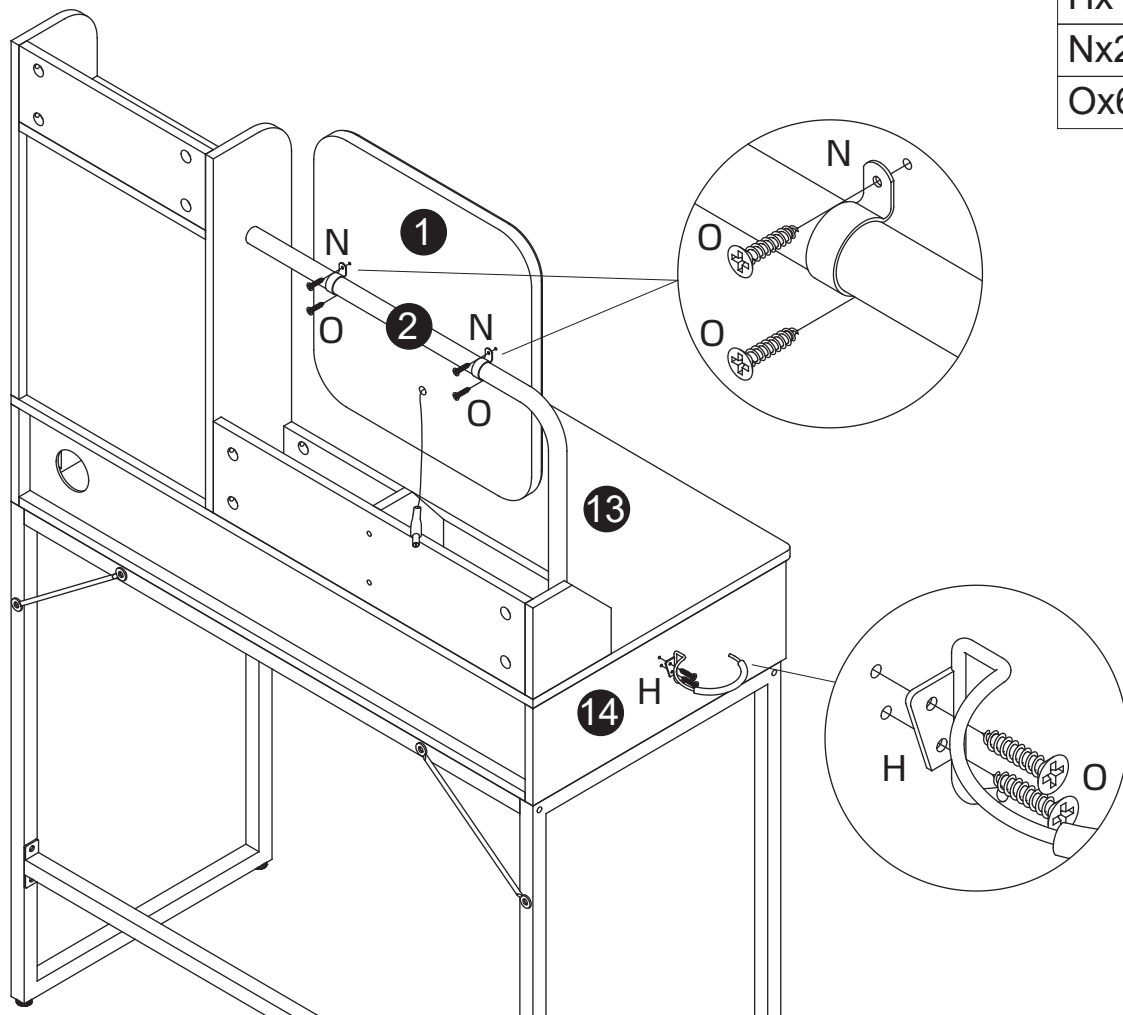


STEP 25

Hx1

Nx2

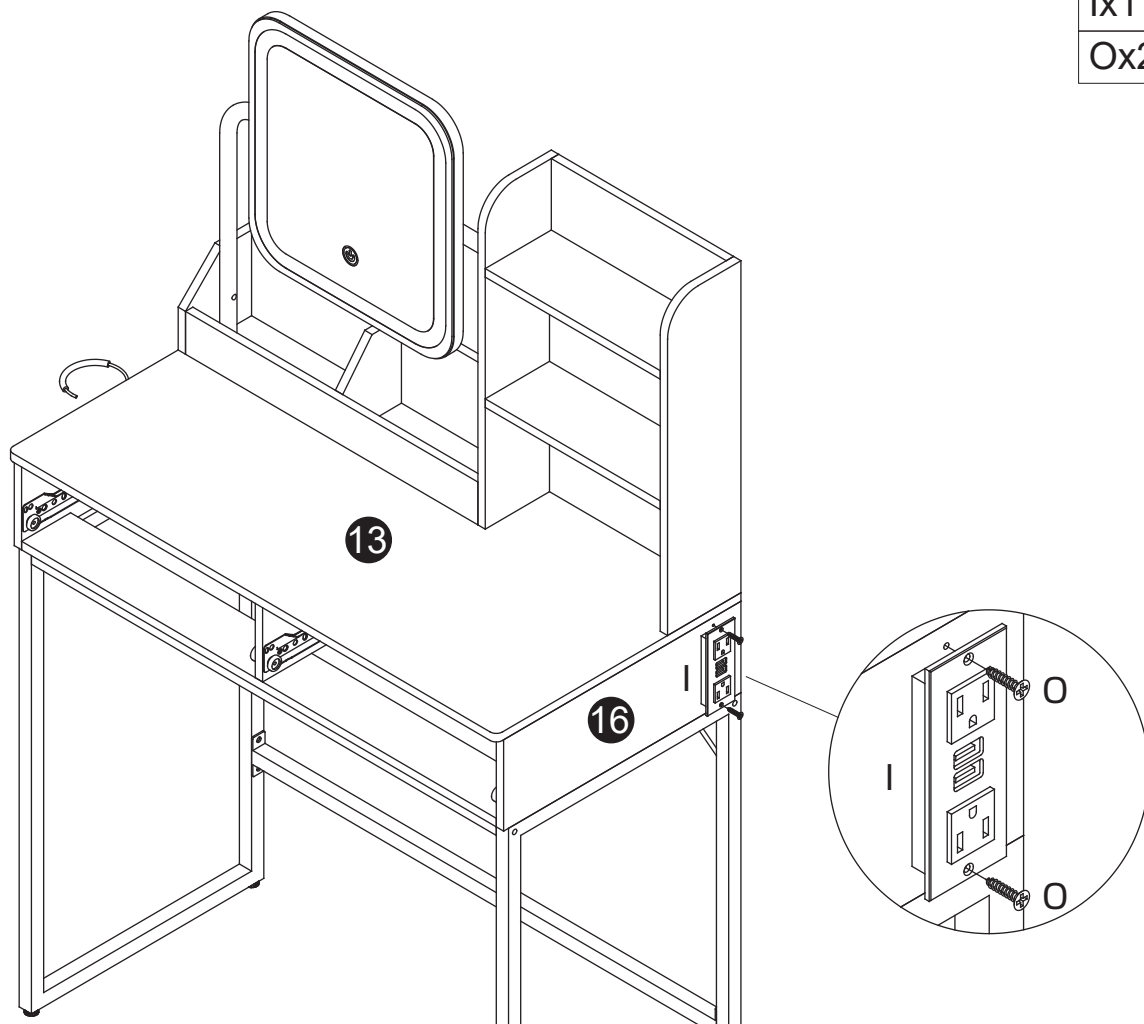
Ox6



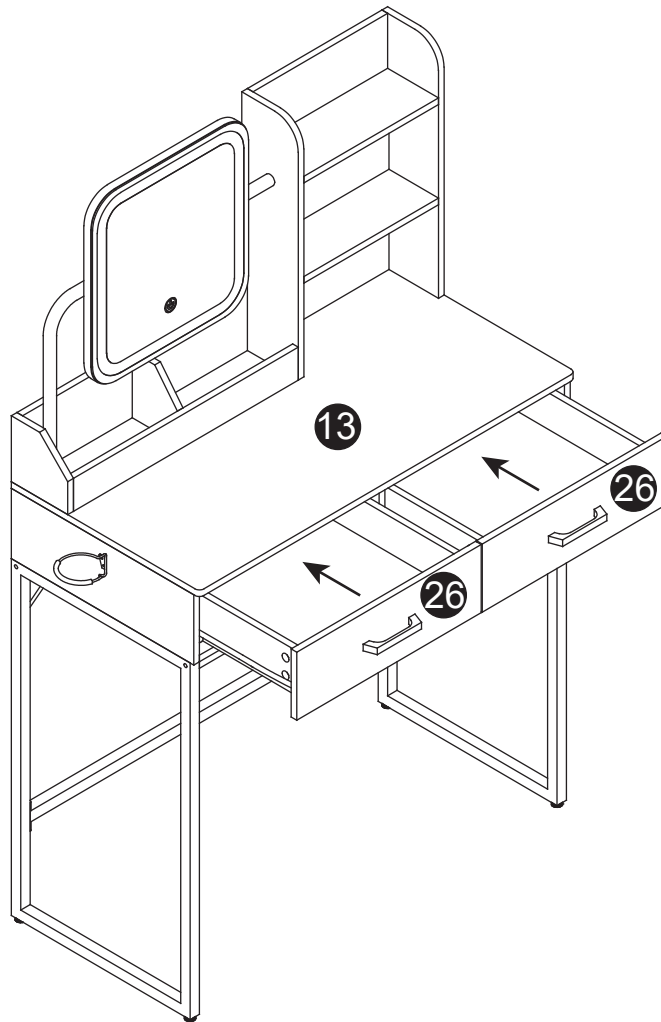
STEP 26

Ix1

Ox2



STEP 27



STEP 28

