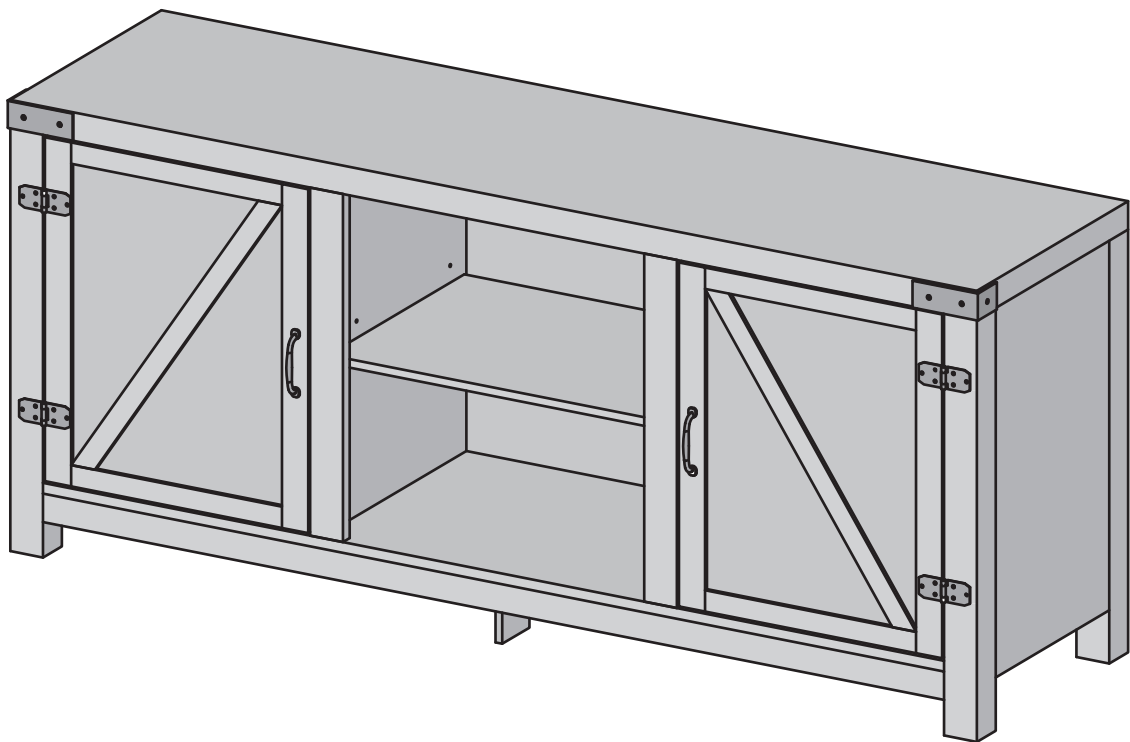
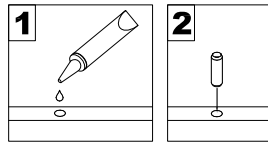


## Assembly Instructions

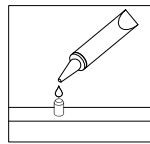


# General Assembly Guidelines

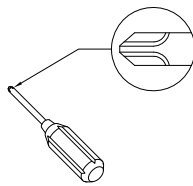
- I. Ensure that all parts and hardware are available before beginning assembly.
- II. Follow each step carefully to ensure the proper assembly of this product.
- III. Two people are recommended for ease in the assembly of this product.
- IV. The three main types of hardware used to assemble this product are : wood dowels , screws and bolts.
- V. The provided glue is to secure wood dowels in place . When first inserting dowels , locate the appropriate hole for the dowel , place a small amount of glue in the hole and insert the dowel . Wipe away excess glue immediately.



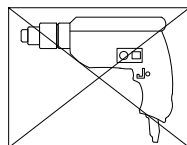
In future assembly steps when dowels are necessary to attach assembly parts together , place a small amount of glue on the end of the dowel before attaching parts together . Wipe away excess glue immediately.



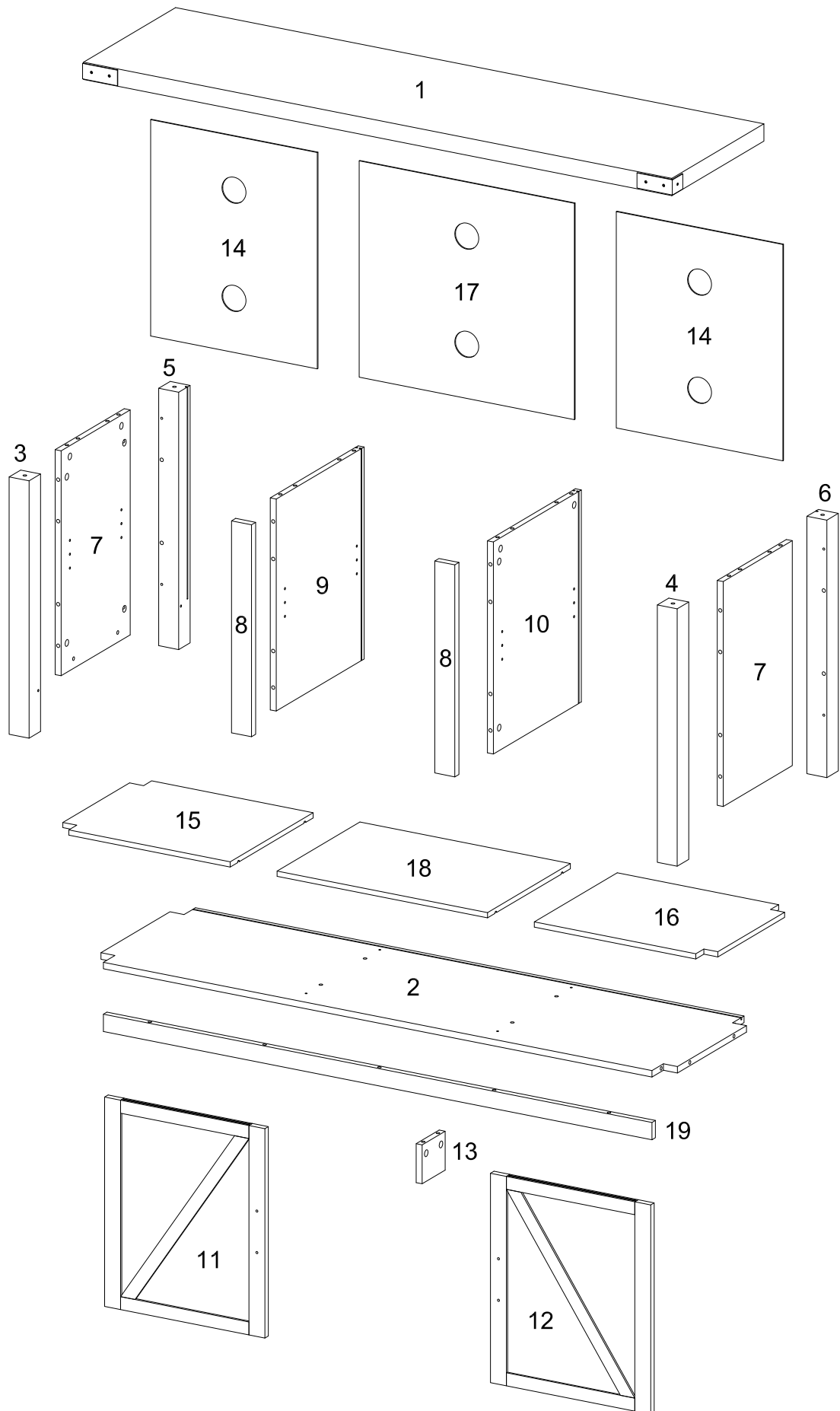
- VI. A Phillips head screwdriver is required for the assembly of this product .




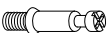



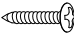

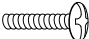


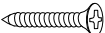
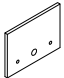





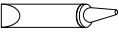

- VII. Power tools should not be used to assemble this product .

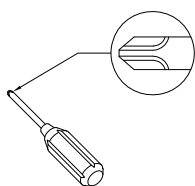


# Parts List



# Hardware List

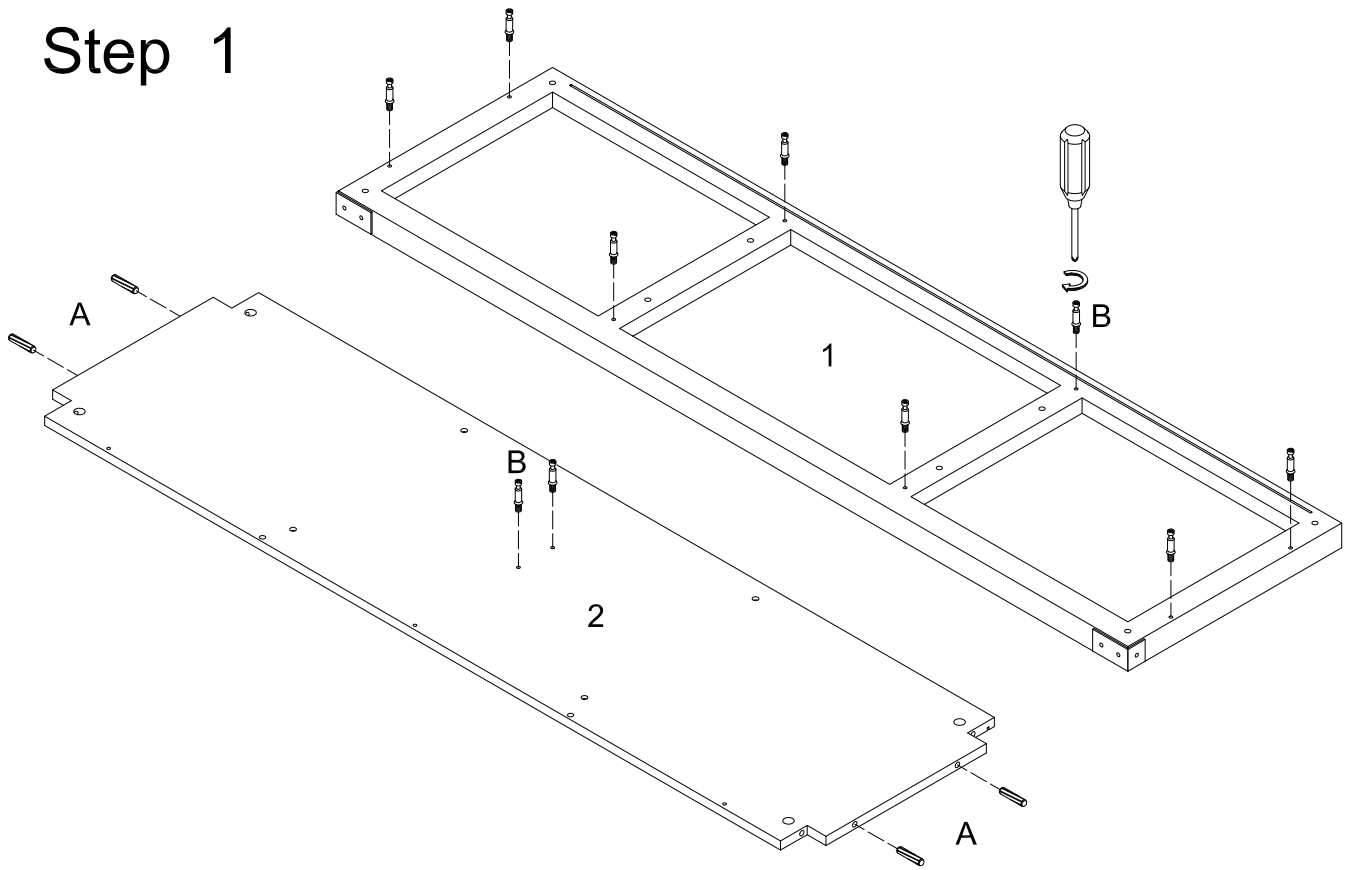
|   |   |           |                   |        |
|---|---|-----------|-------------------|--------|
| A |    | Ø8x30mm   | Wooden dowel      | 30 pcs |
| B |    |           | Cam bolt          | 26 pcs |
| C |    | Ø15x11mm  | Cam lock          | 26 pcs |
| D |    | Ø6x50mm   | Bolt              | 4 pcs  |
| E |    |           | Hinge             | 4 pcs  |
| F |    | Ø3x12mm   | Screw             | 24 pcs |
| G |    |           | Handle            | 2 pcs  |
| H |    | Ø4x22mm   | Bolt              | 4 pcs  |
| J |    | Ø8x5x16mm | Shelf support pin | 12 pcs |
| K |    |           | Plastic wedges    | 12 pcs |
| L |  | Ø3x17mm   | Screw             | 12 pcs |
| M |  | 30x20mm   | Metal piece       | 2 pcs  |
| N |  | Ø3x12mm   | Screw             | 2 pcs  |
| P |  |           | Door stopper      | 2 pcs  |
| Q |  | Ø3x15mm   | Screw             | 4 pcs  |
| R |  |           | Sticker           | 26 pcs |
| S |  | Ø4mm      | Wrench            | 1 pc   |
| T |  |           | Glue tube         | 2 pcs  |
| U |  | Ø4x45     | Screw             | 3 pcs  |



Philips head screwdriver required for assembly  
(not included)

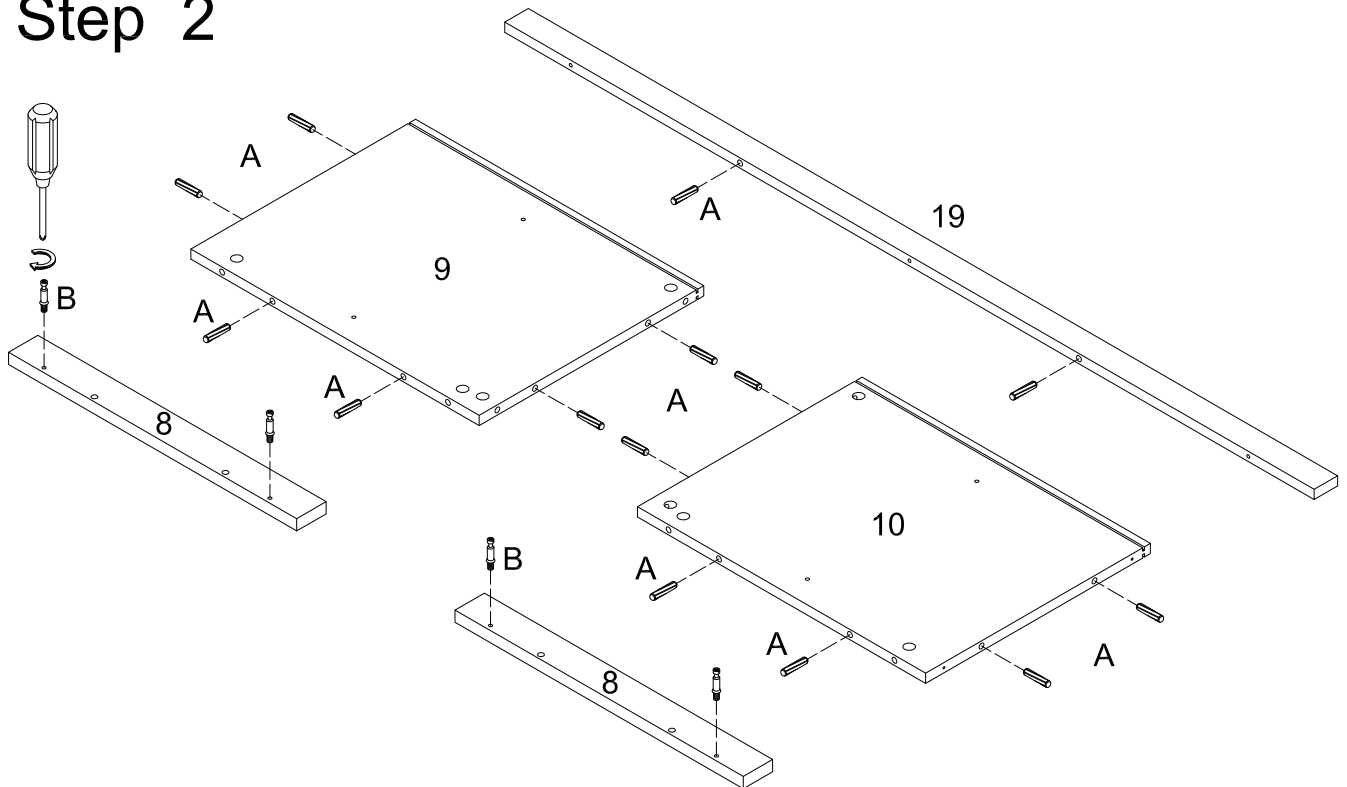
*The hardware quantities listed above are required for proper assembly.  
Some extra hardware may also have been included.*

# Step 1



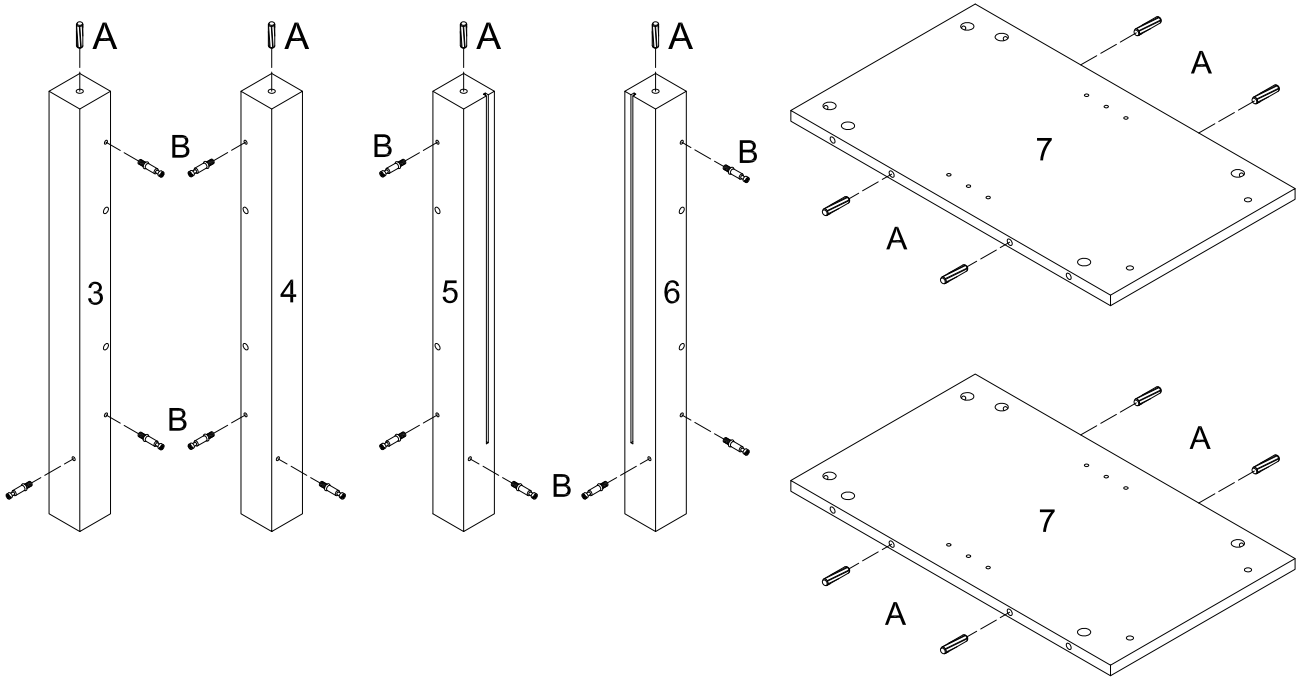
Attach cam bolts (B) to parts (1) and (2).

# Step 2



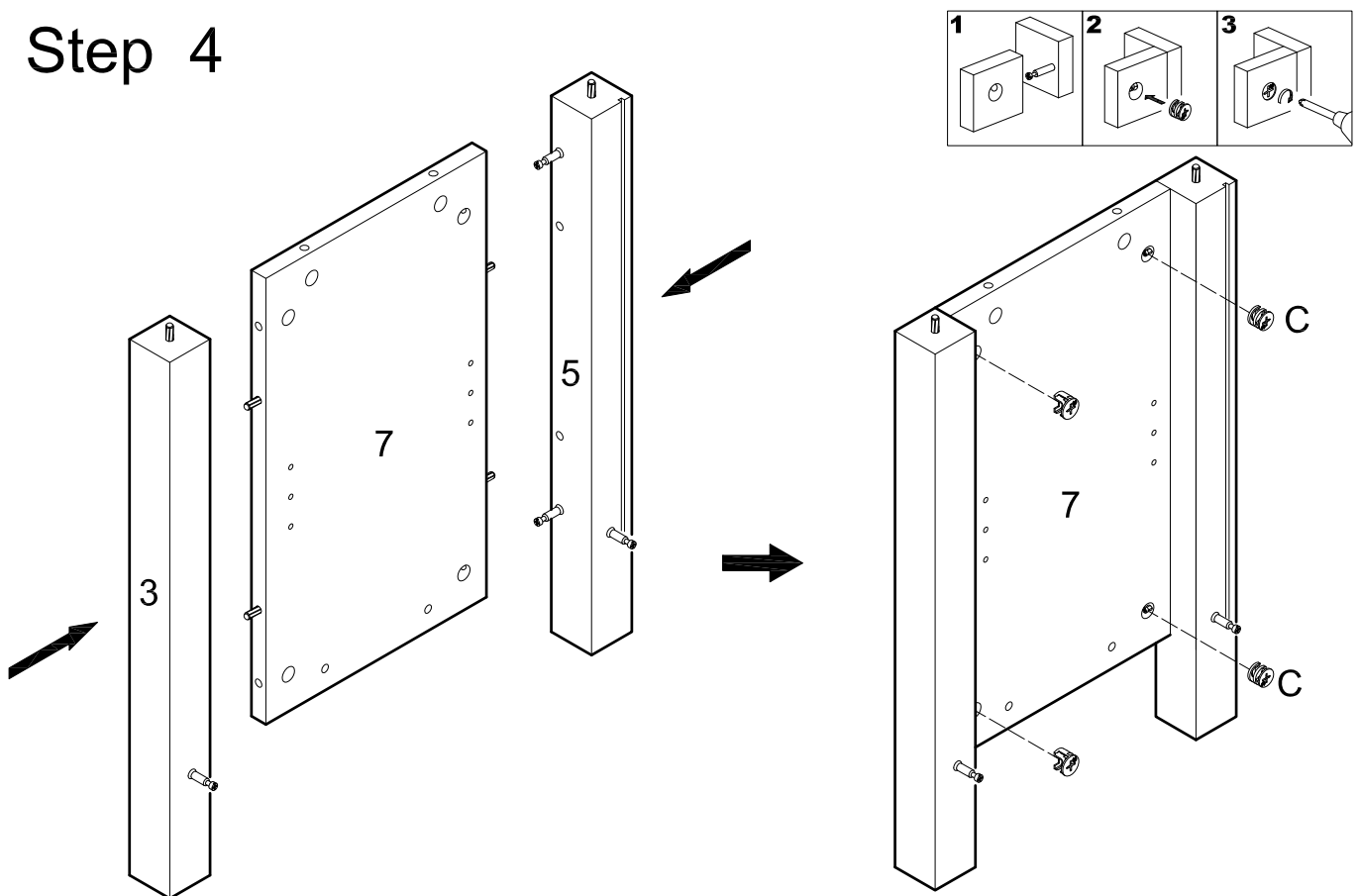
Attach cam bolts (B) to part (8). Insert wooden dowels (A) to parts (9, 10) and (19).

# Step 3



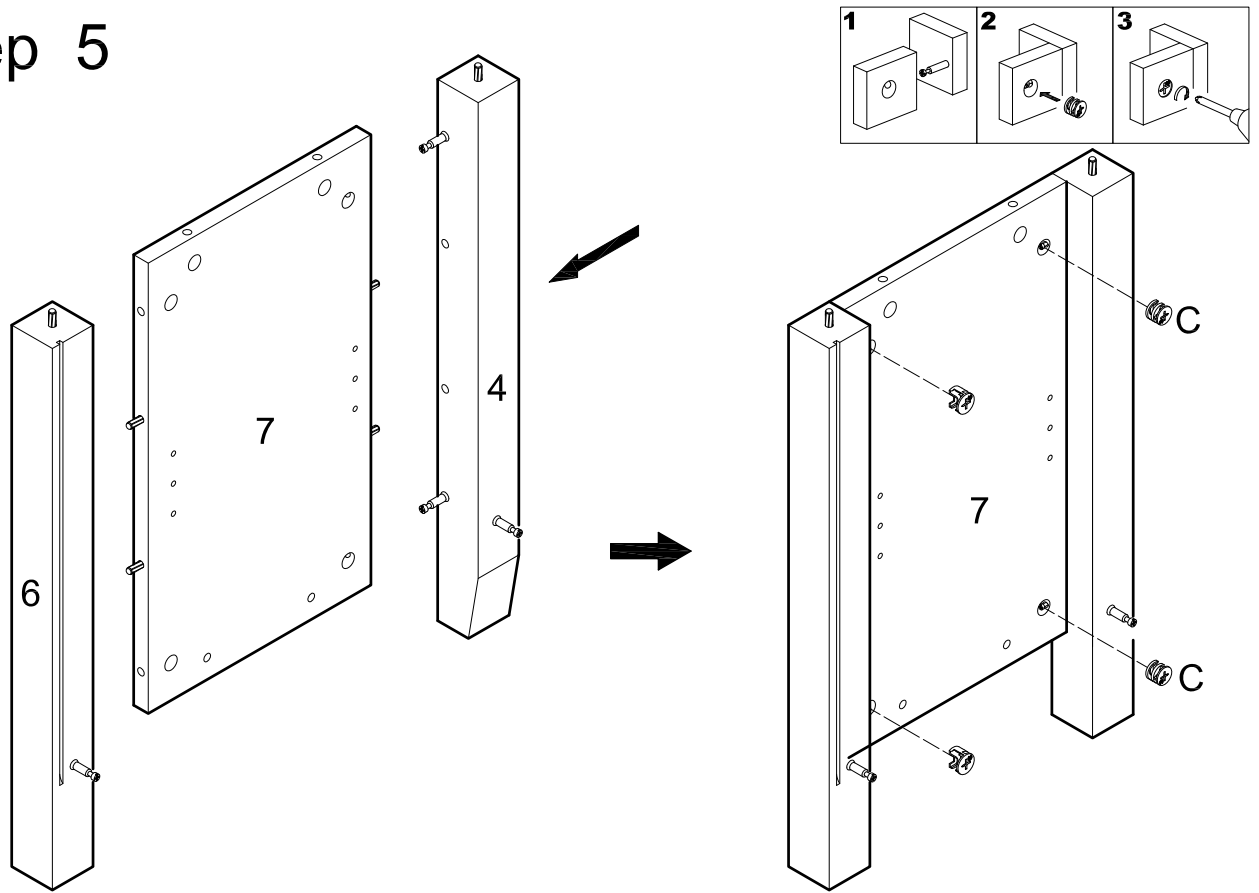
Insert wooden dowels (A) into designated areas in parts (3, 4, 5, 6) and (7). Attach cam bolts (B) to parts (3, 4, 5, 6).

# Step 4



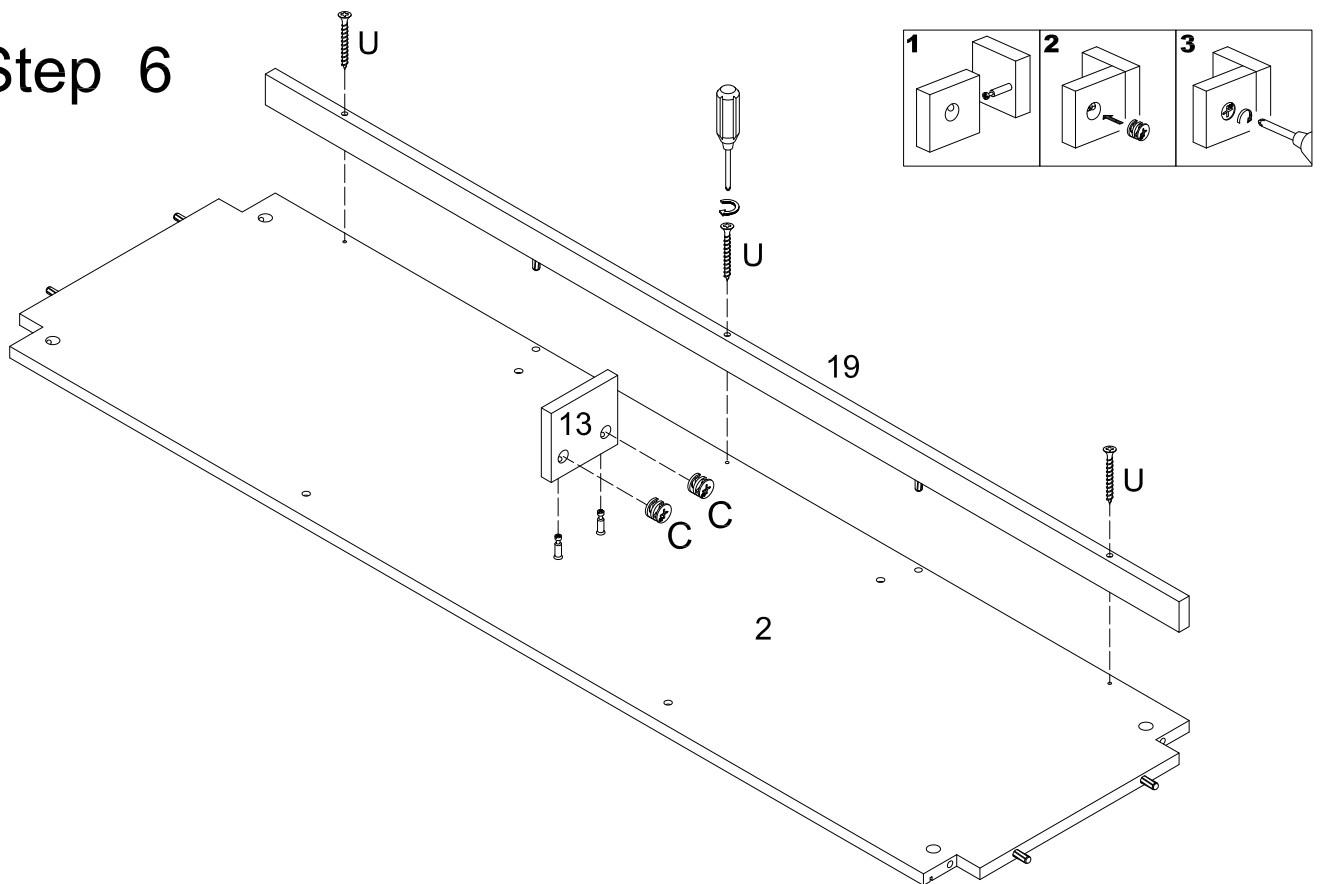
Attach parts (3) and (5) to part (7), and then attach cam locks (C) to fully assembled part (7).

# Step 5



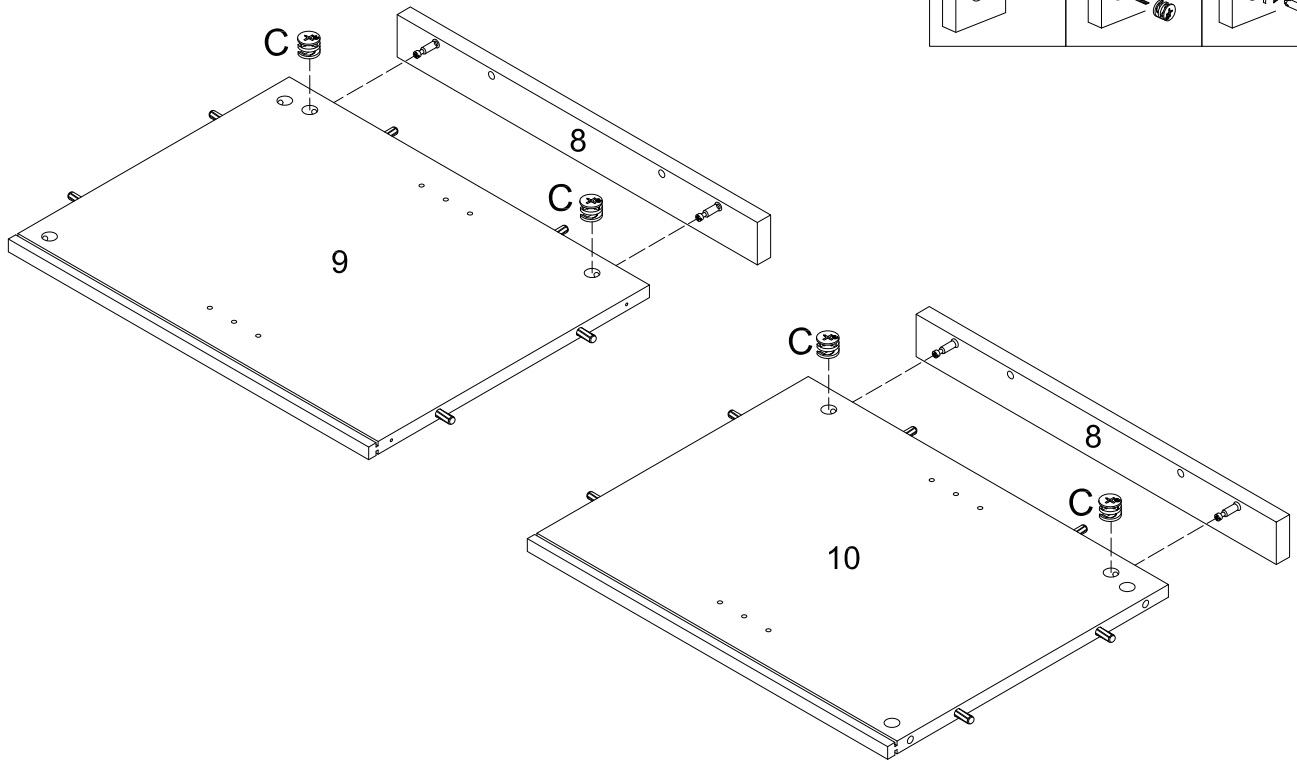
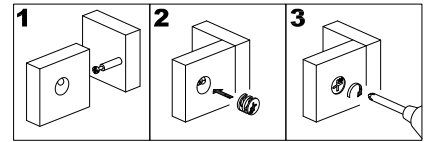
Attach parts (4) and (6) to the other part (7), and then insert cam locks (C) to the fully assembled part (7).

# Step 6



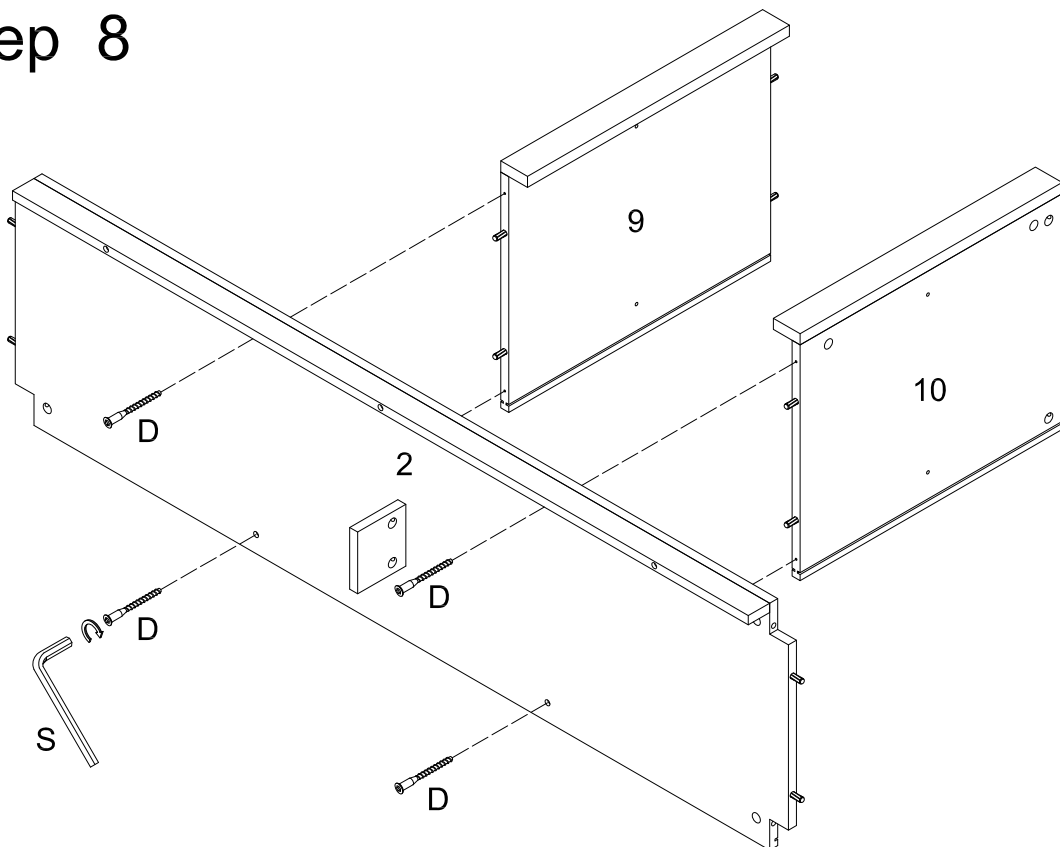
Attach cam locks (C) to parts (13) to panel (2). Attach slat (19) to panel (2) using screw (U) as guides.

# Step 7



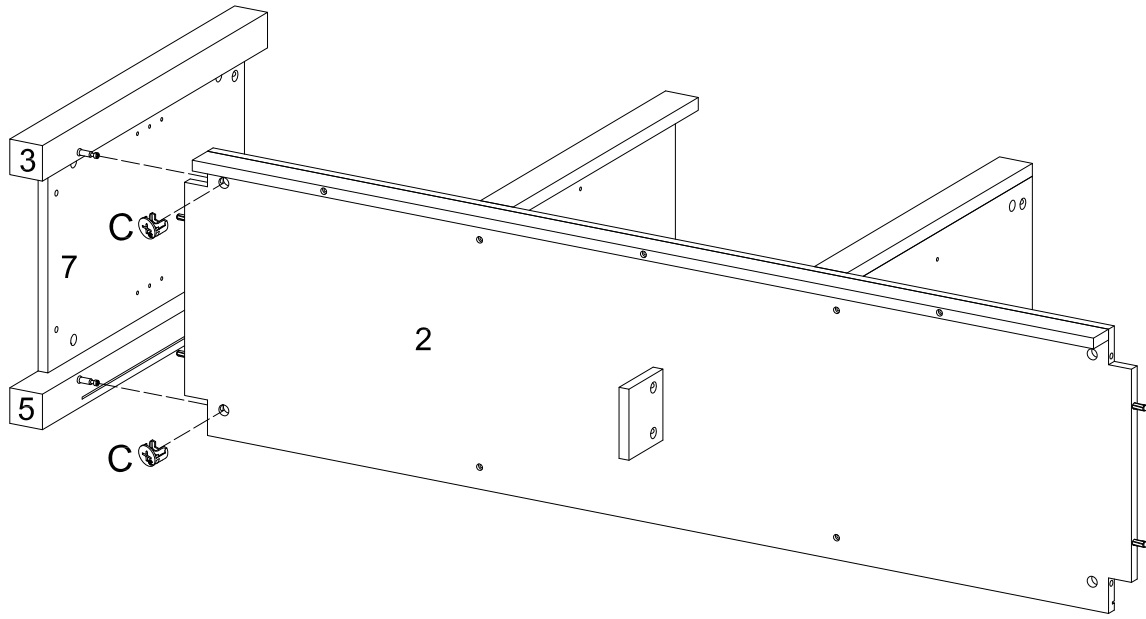
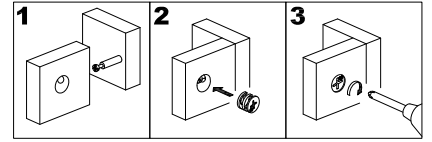
Attach cam locks (C) to part (9) to connect part (8), and to part (10) to connect to the other part (8).

# Step 8



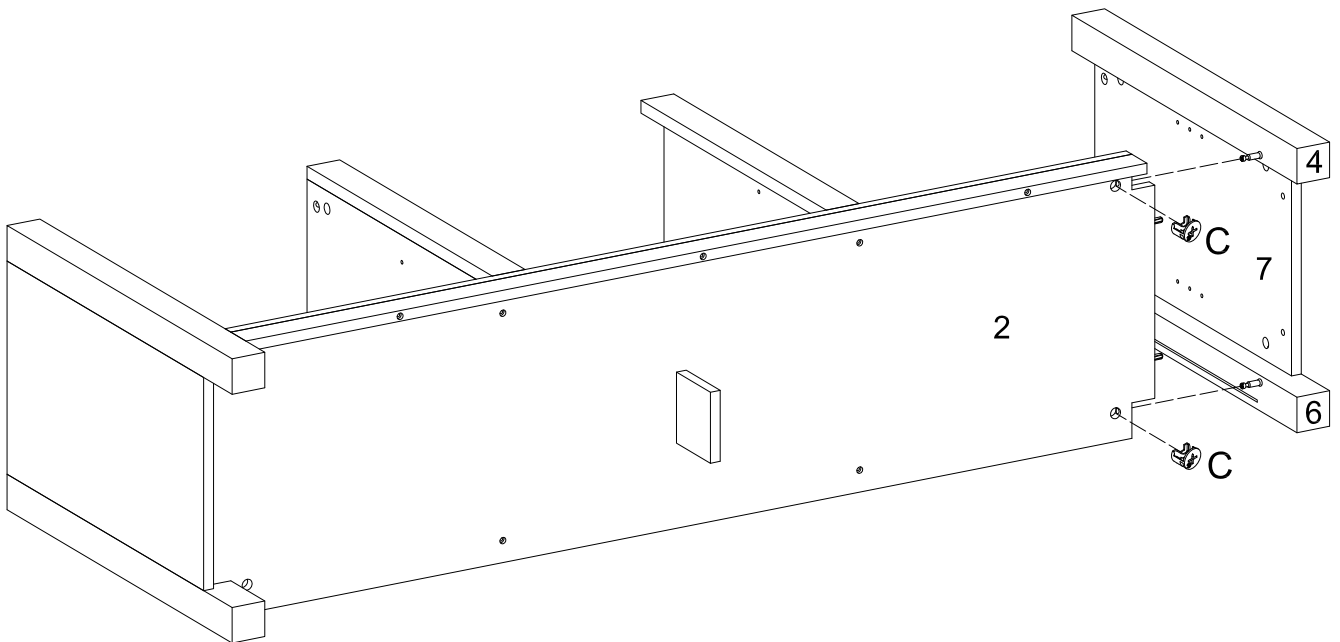
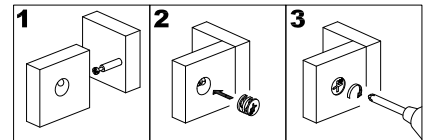
Use the wrench (S) to use bolts (D) to connect parts (9) and (10) to part (2).

# Step 9



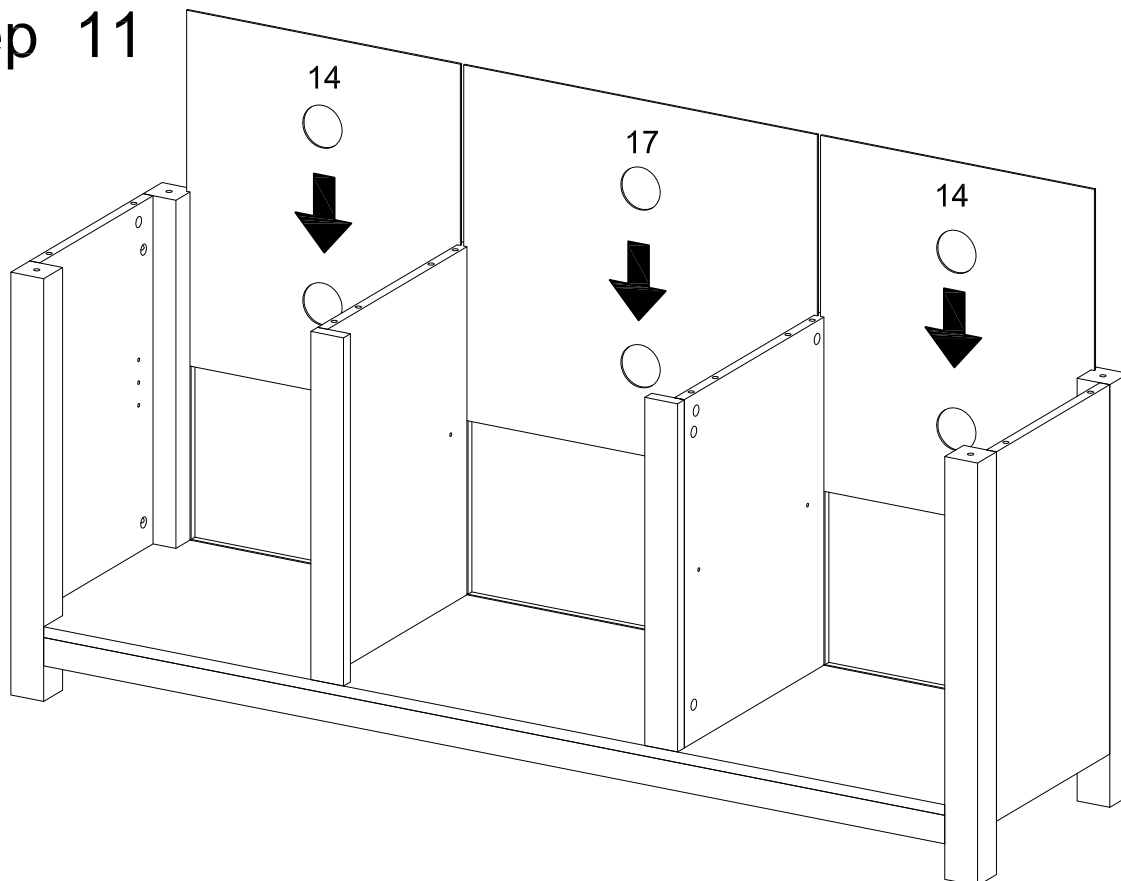
Use cam bolts (C) to connect parts (3) and (5) to part (2).

# Step 10



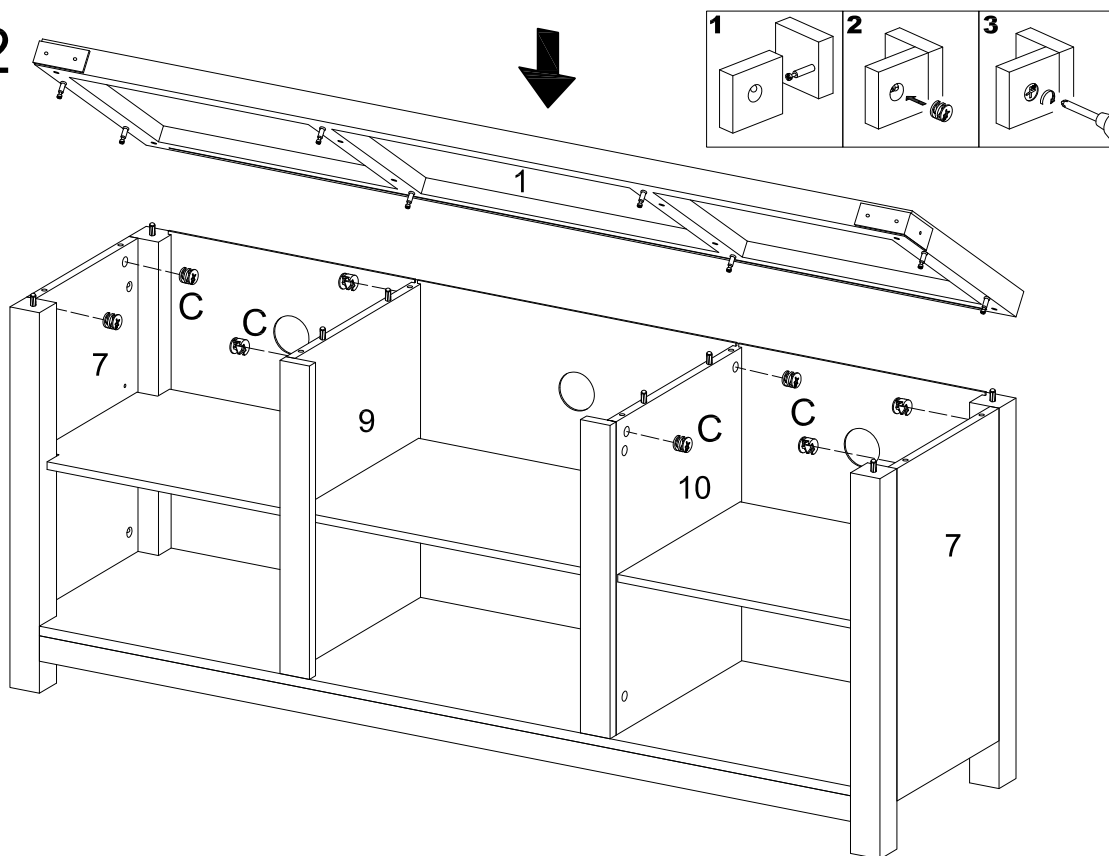
Use cam bolts (C) to connect parts (4) and (6) to part (2).

# Step 11



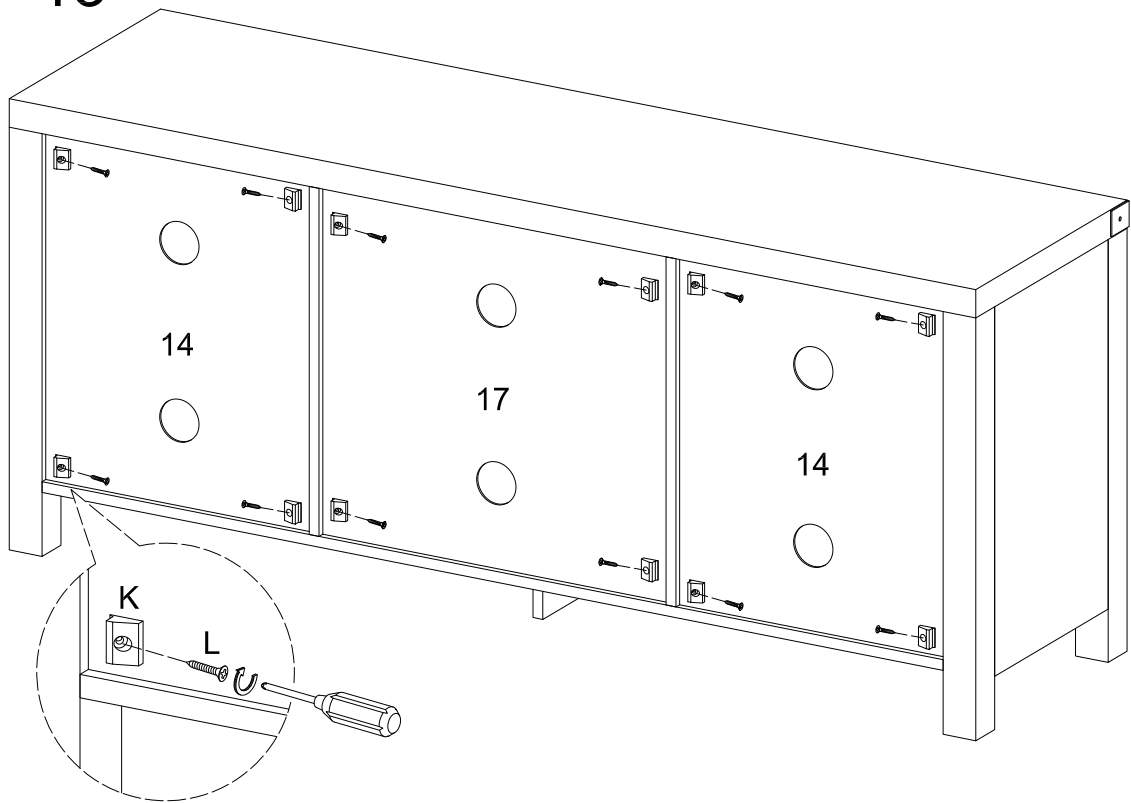
Slide parts (14) and (17) into designated area.

# Step 12



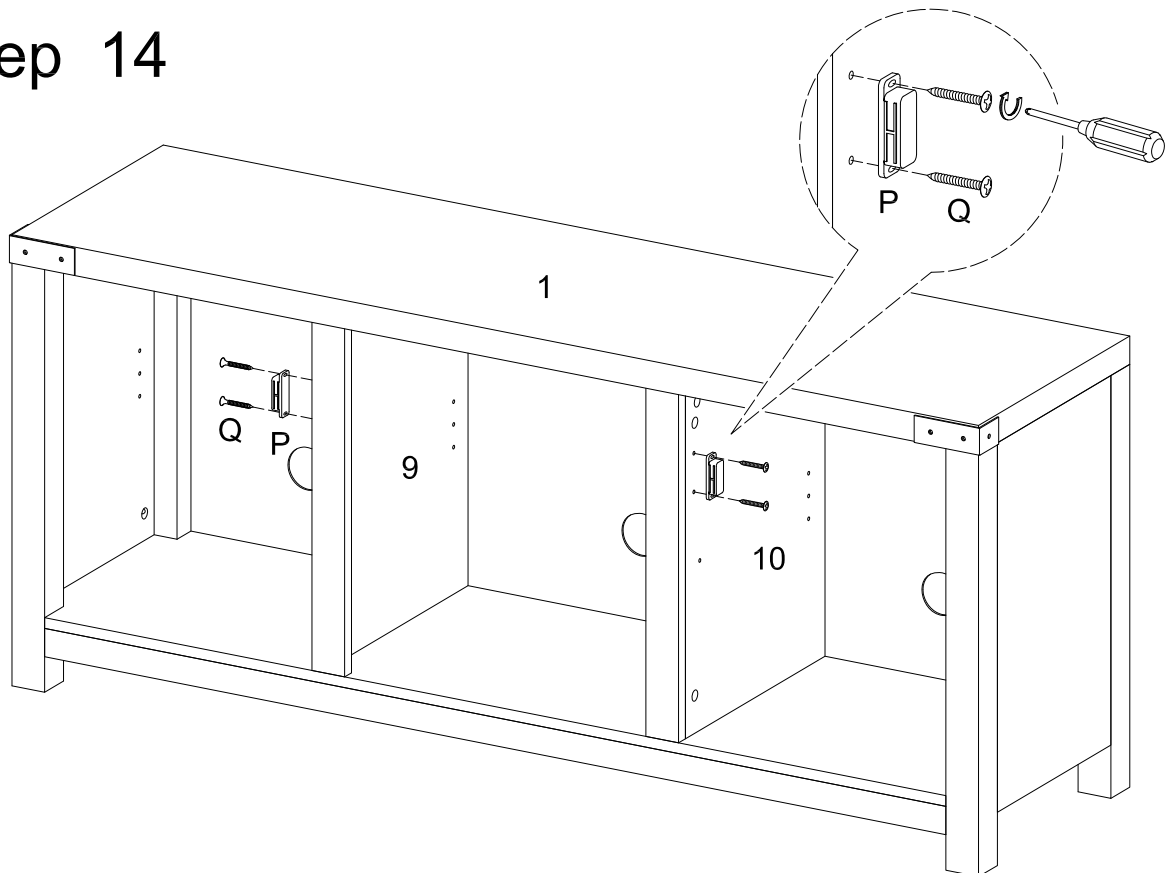
Use cam bolts to connect part (1) to the frame assembly as shown in the diagram.

## Step 13



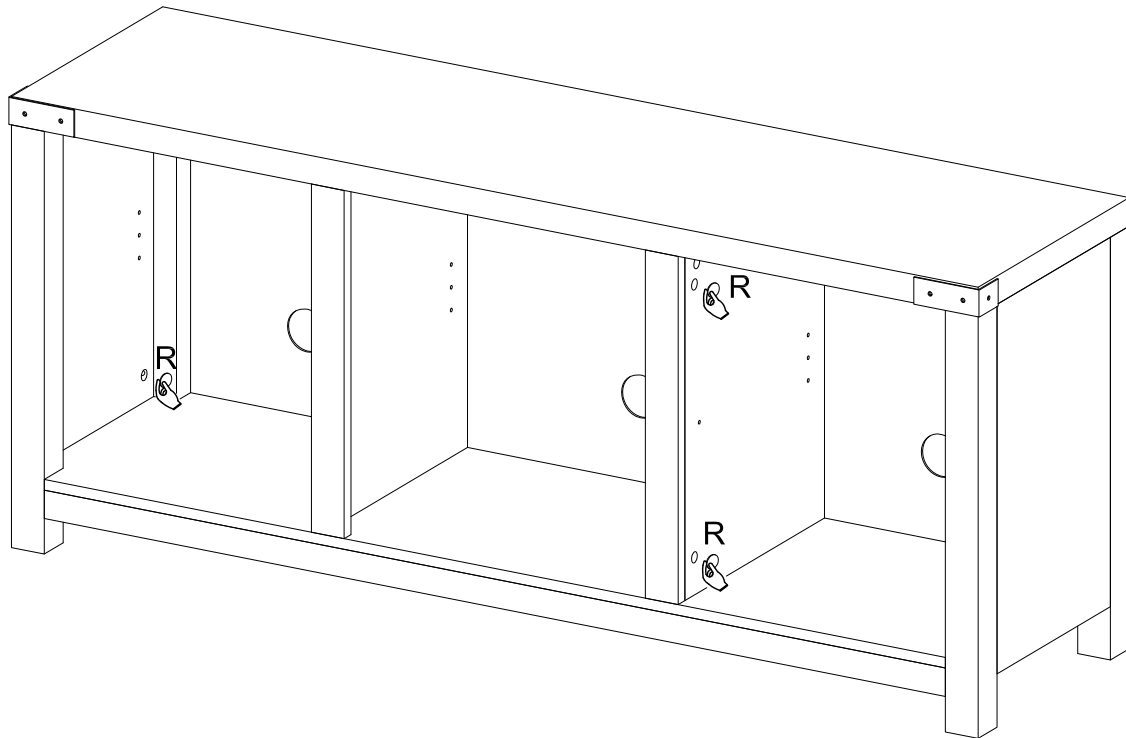
Attach the plastic wedges (K) by using the screws (L) as shown in the diagram.

## Step 14



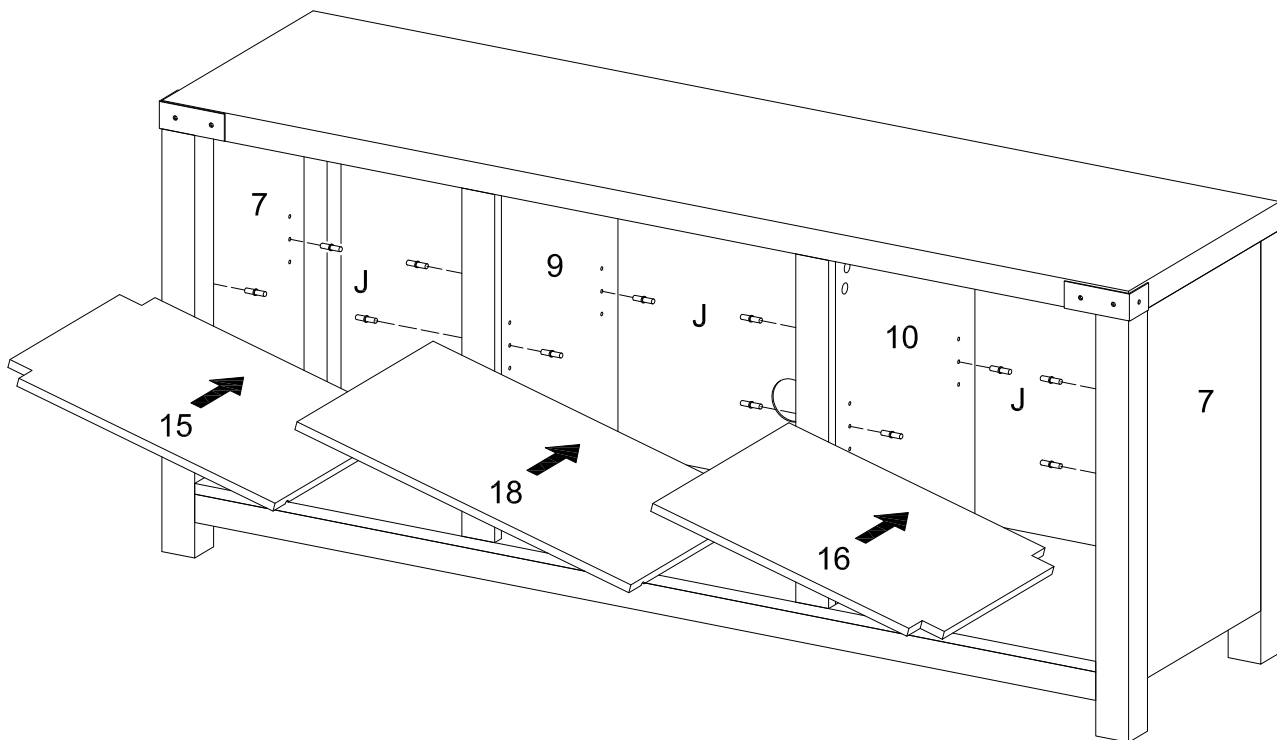
Attach door stopper (P) to designated areas by using screws (Q).

## Step 15



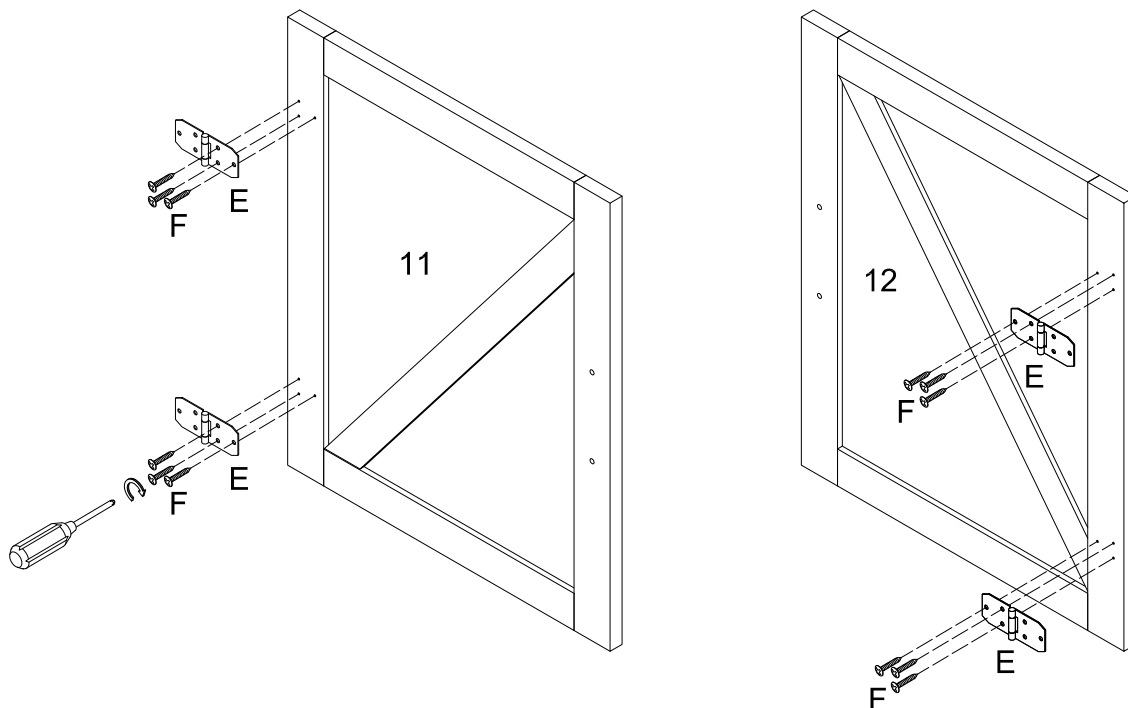
Place stickers (R) over cam locks as desired.

## Step 16



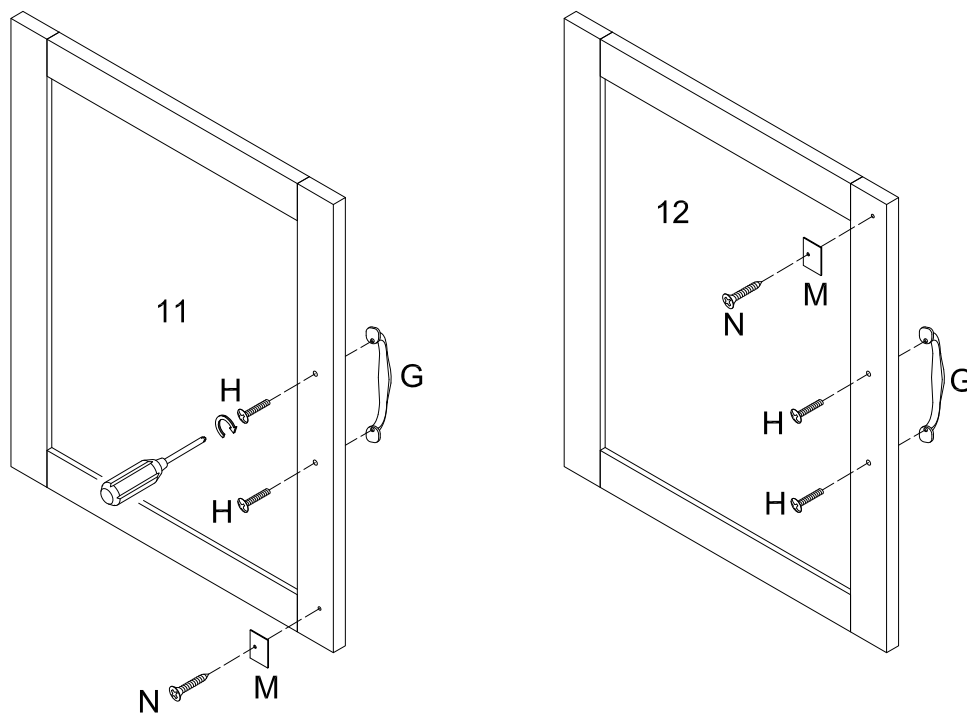
Insert shelf supports (J) and place shelves (15,16) and (18) as shown in the diagram.

# Step 17



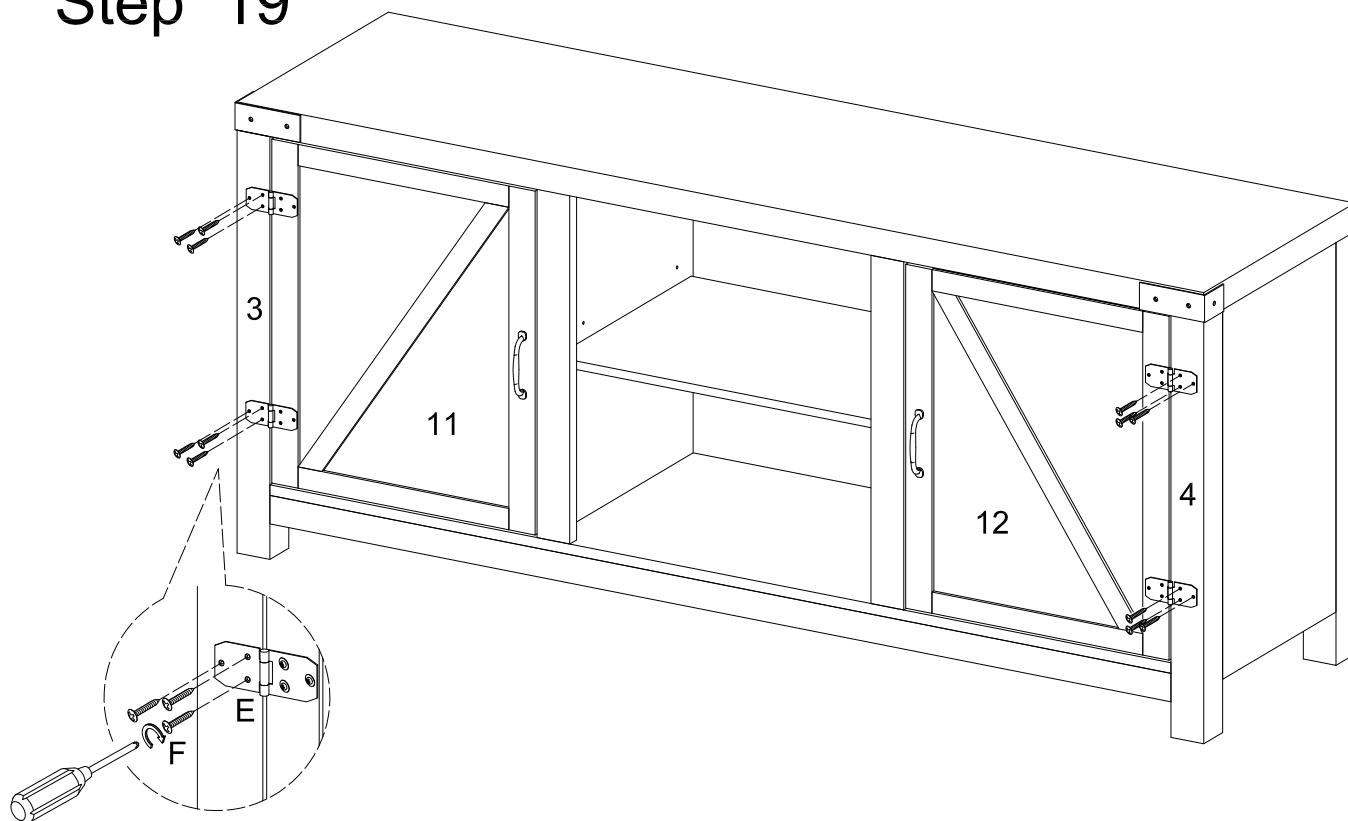
Attach hinges (E) to the doors (11,12) by using screws (F).

# Step 18



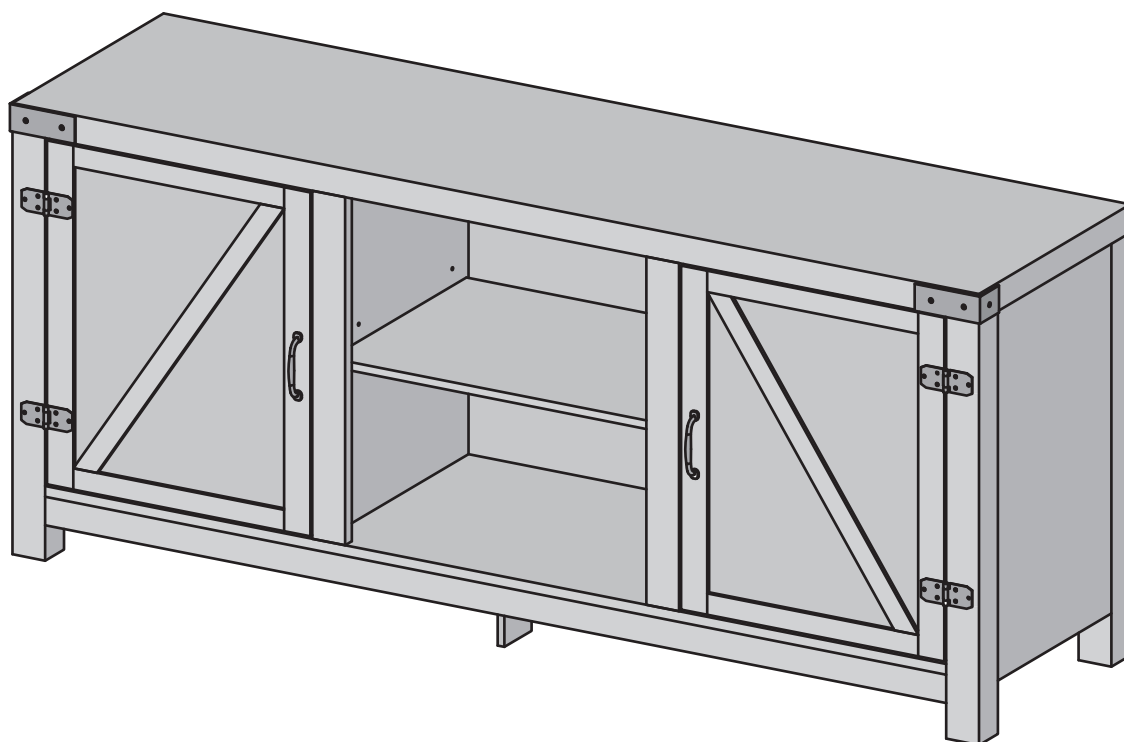
Attach handles (G) to the doors (11,12) by using screws (H). Attach metal stopper (M) using screw (N).

## Step 19



Attach hinges (E) by using screws (F) as shown in the diagram.

## Step 20



**Final Assembly**