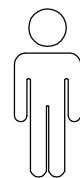
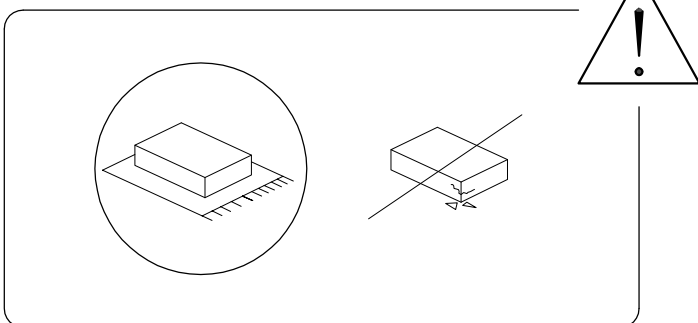
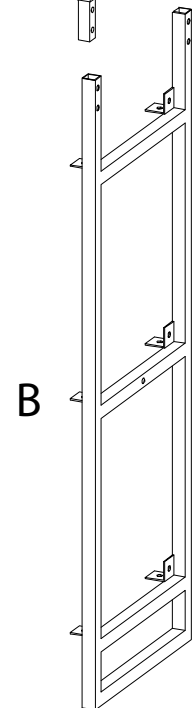
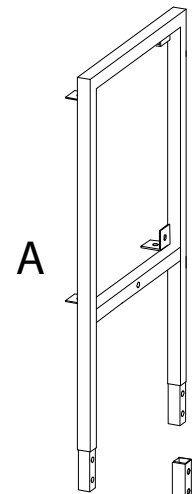
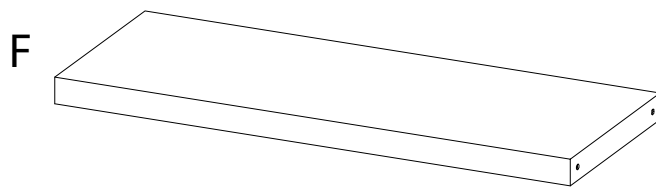
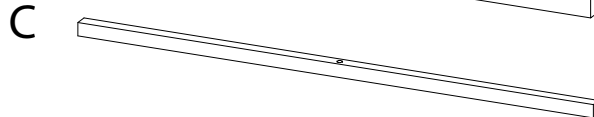
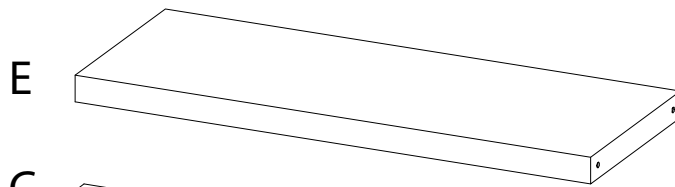
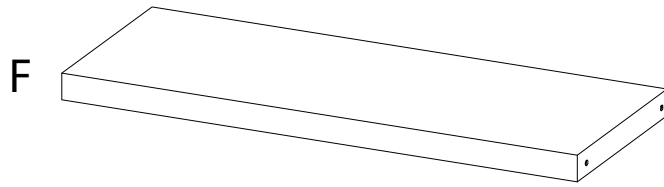
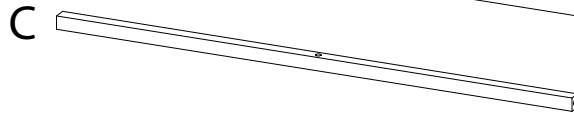
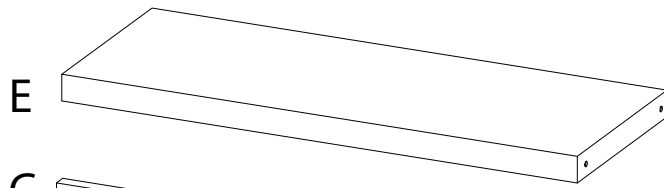
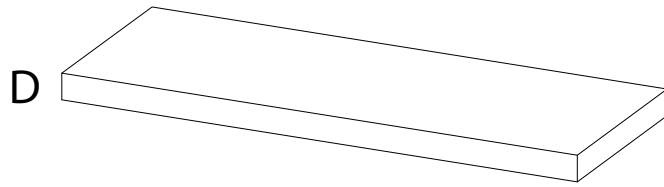
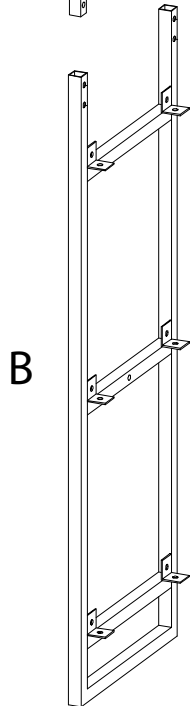
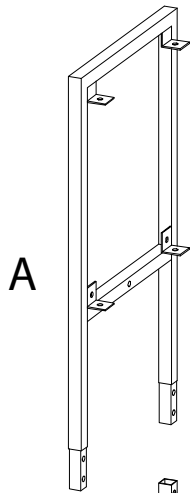


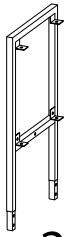
20'



1



A



x 2

B



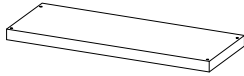
x 2

C



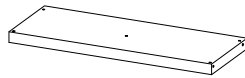
x 2

D



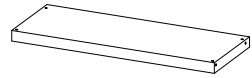
x 1

E



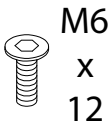
x 2

F



x 2

G



M6
x
12

x 44

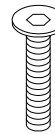
H



M6
x
30

x 2

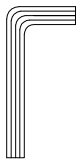
I



M6
x
40

x 4

J



x 1

K



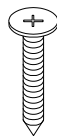
x 1

L



x 1

M



M4
x
35

x 1

N



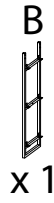
M3.5
x
16

x 1

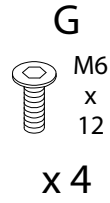
1 x 2



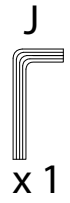
x 1



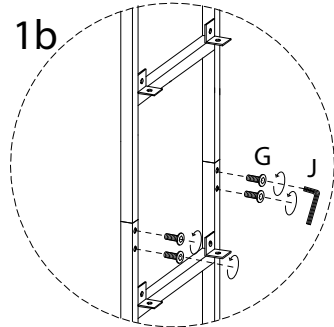
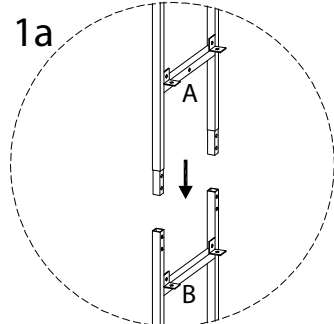
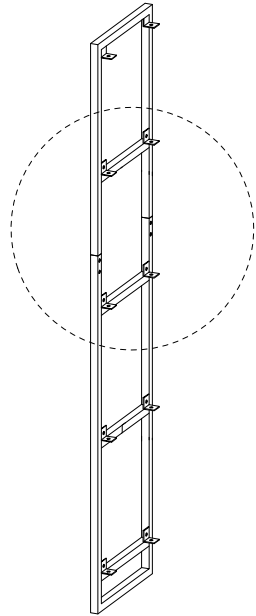
x 1



x 4



x 1



2

C



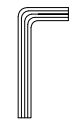
x 2

I

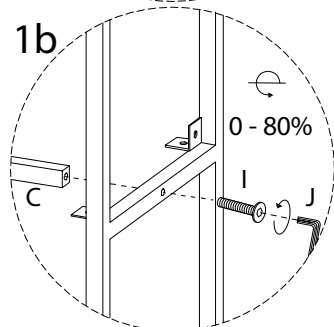
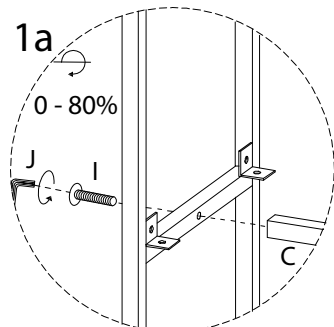
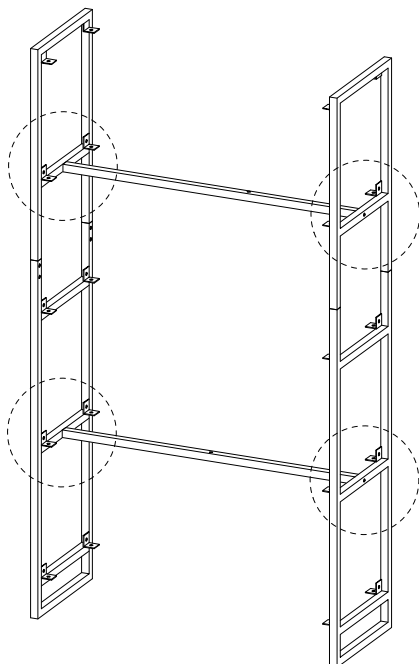


x 4

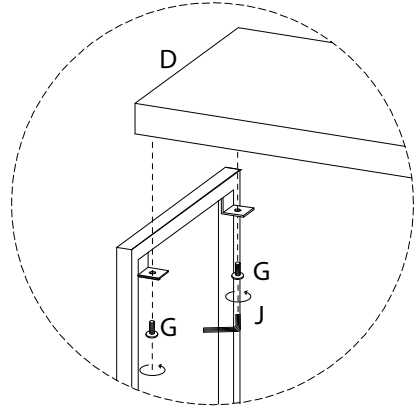
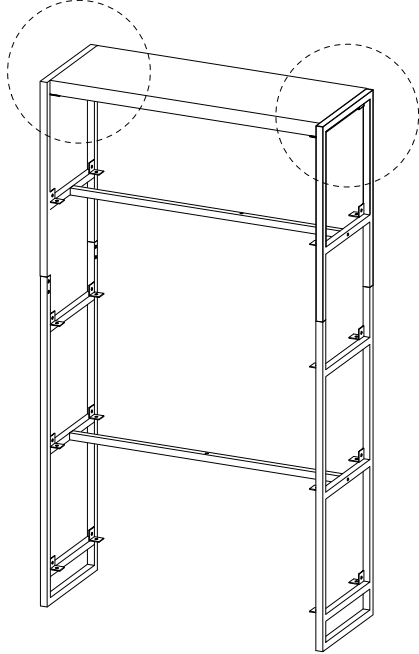
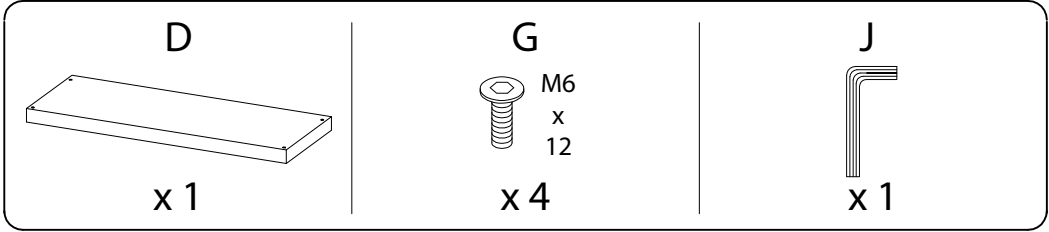
J



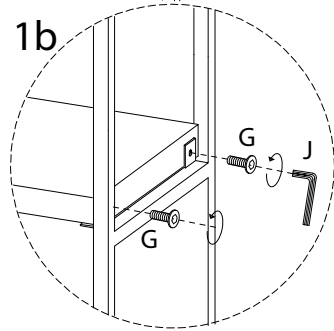
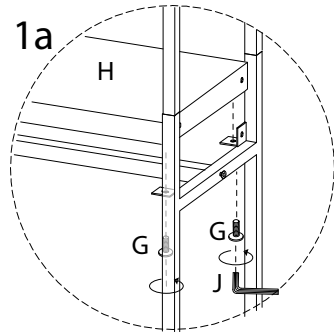
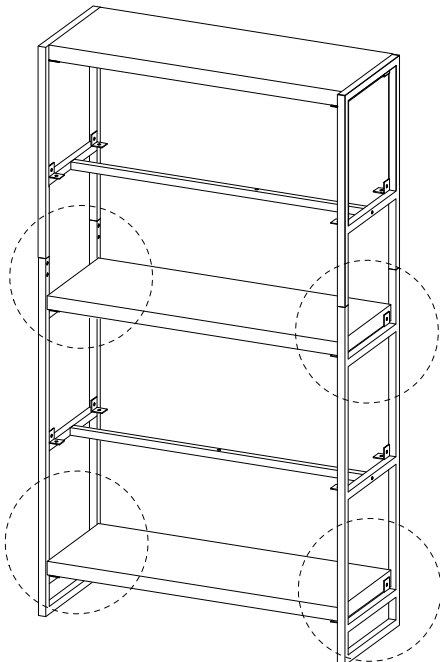
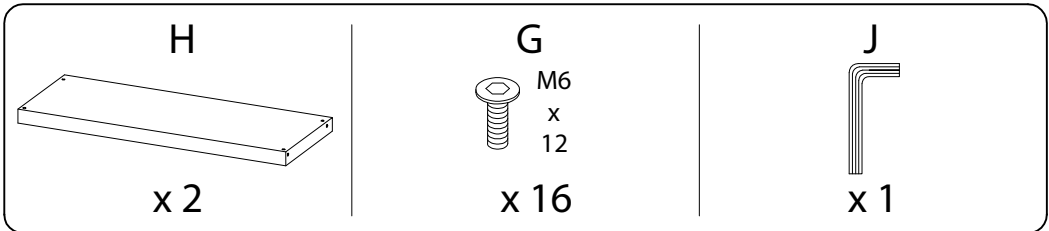
x 1



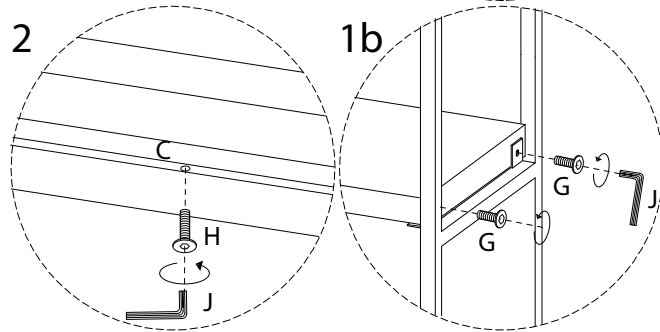
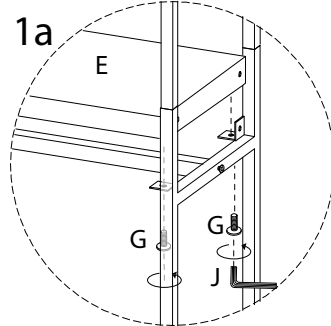
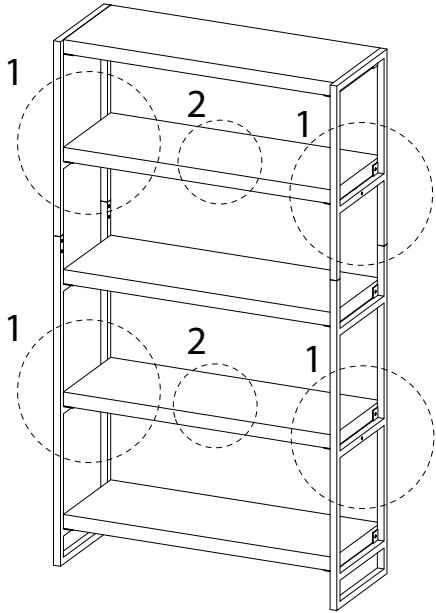
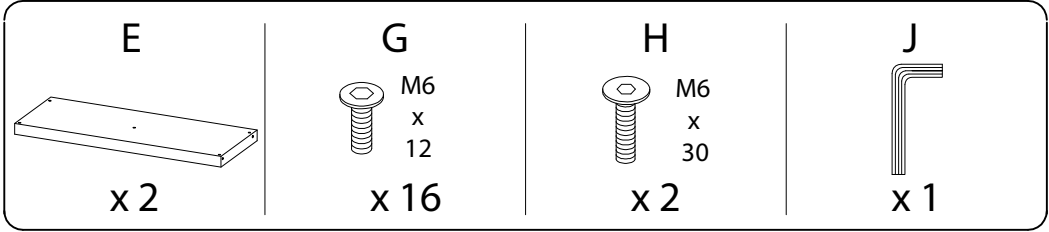
3



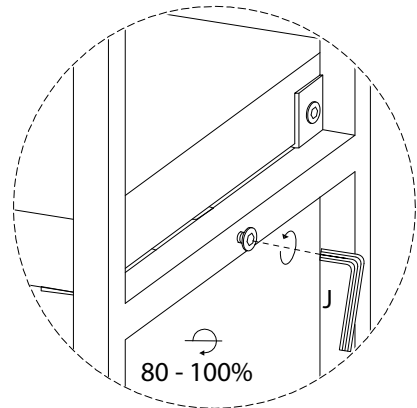
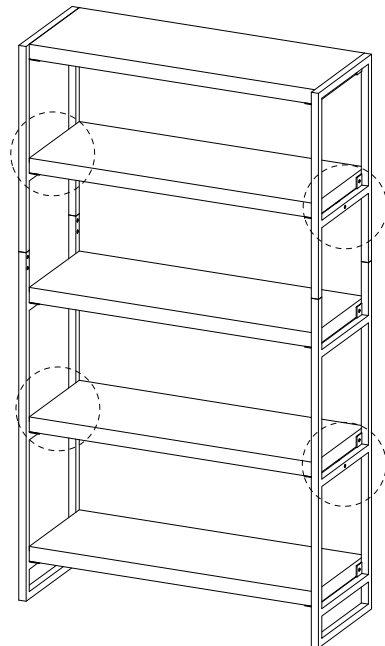
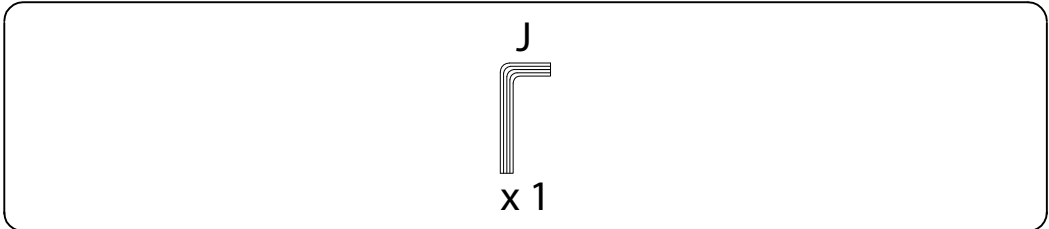
4





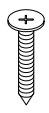

5



6



7

K  x 1	L  x 1	M  M4 x 35 x 1	N  M3.5 x 16 x 1
--	--	--	---

