

HEATER STAND

Model: VBS01



TECHNICAL DESCRIPTION AND OPERATING MANUAL

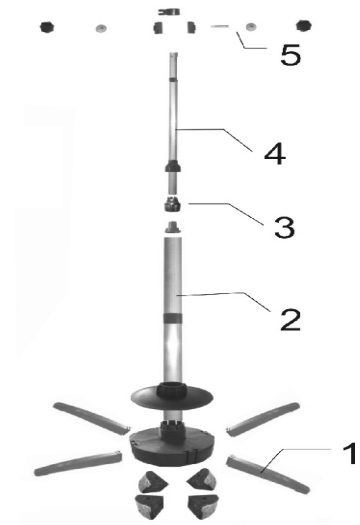
Redfern Enterprises
101-127 Commercial Drive
Calgary, AB, T3G 4X1
CANADA
info@redferment.com
www.veito.ca



Redfern Enterprises
4114 North Pecos Road, Unit 102
Las Vegas, NV, 89115
USA
infous@redferment.com
www.veitoheater.com

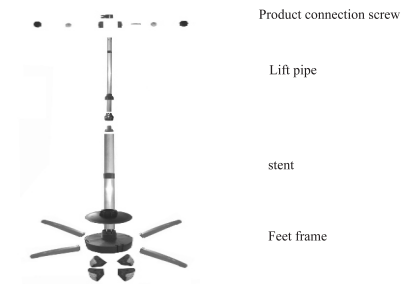
STENTS ASSEMBLY INSTRUCTIONS

1	Foot bottom
2	Stents
3	lift pipe fixed nut
4	lift pipe
5	Productsconnecting bolts



How to connect with stents products

① Product feet frame diagram



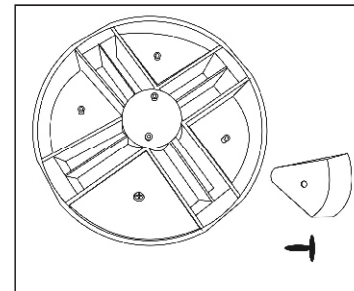
② With screw through screw holes and product

connection is fixed to the holder



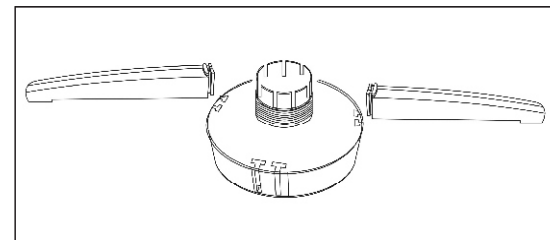
Heater stand installation

1. Using 4*20F head screw fixed the balance weight on the bottom of base



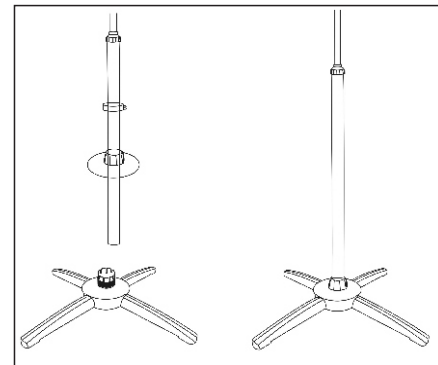
(exhibit 1)

2. put the 4 legs into slot accordingly



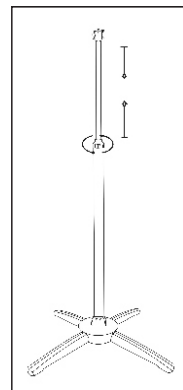
(exhibit 2)

3.The cable clip sequentially and stand base cover into the lower tube,then lower tube into stand center tank ,rotation lock stand base cover



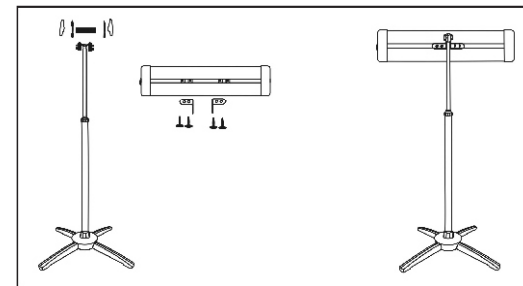
(exhibit 3)

4. adjust the height requested with tightness of plastic collar (110cm-180cm) .



(exhibit 4)

5. Remove positioning knob, remove positioning pads, the product placed in a fixed axis mounting bracket (about positioning the outer sleeve), the fixed gasket into fixed axis (lateral fixation products), after fixed positioning knob



(exhibit 5)

ISSUE 2: TECHNICAL FEATURE

Model: VBS01

G.W.(Kgs)	3.9KGS
Min-Max.Height(cm)	110CM-180CM
Cross Size(cm)(D)	86.5CM

Correct Disposal of this product

This marking indicates that this product should not be disposed with other household wastes throughout the EU. To prevent possible harm to the environment or human health from uncontrolled waste disposal, recycle it responsibly to promote the sustainable reuse of material resources. To return your used device, please use the return and collection systems or contact the retailer where the product was purchased. They can take this product for environmental safe recycling.

