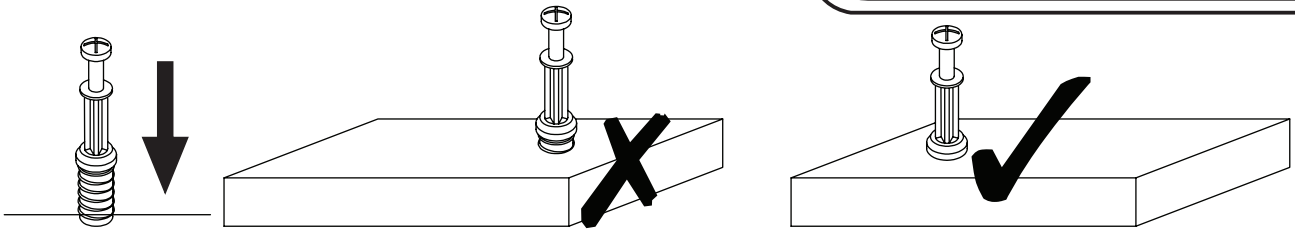
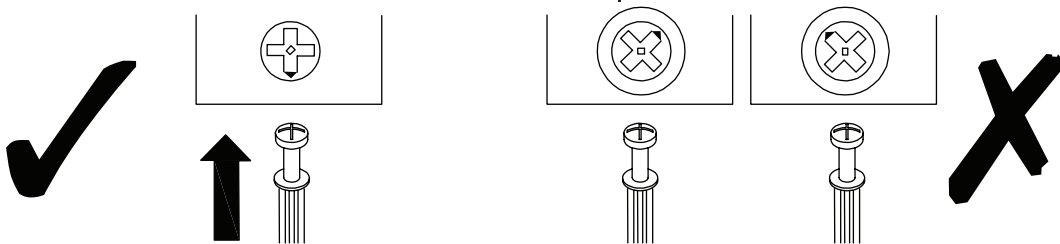


**EN\_IMPORTANT, RETAIN FOR FUTURE REFERENCE: READ CAREFULLY.**

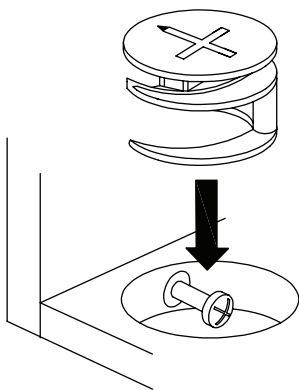
## USING CAM LOCK AND QUICKFIT



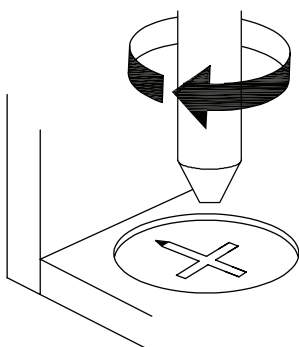
**EN\_QUICKFIT:** Tighten quickfit until shoulder is flush with panel. Do not overtighten or undertighten.



**EN\_CAM LOCK:** When fitting cam lock, ensure starting position is correct before you insert connecting quickfit.

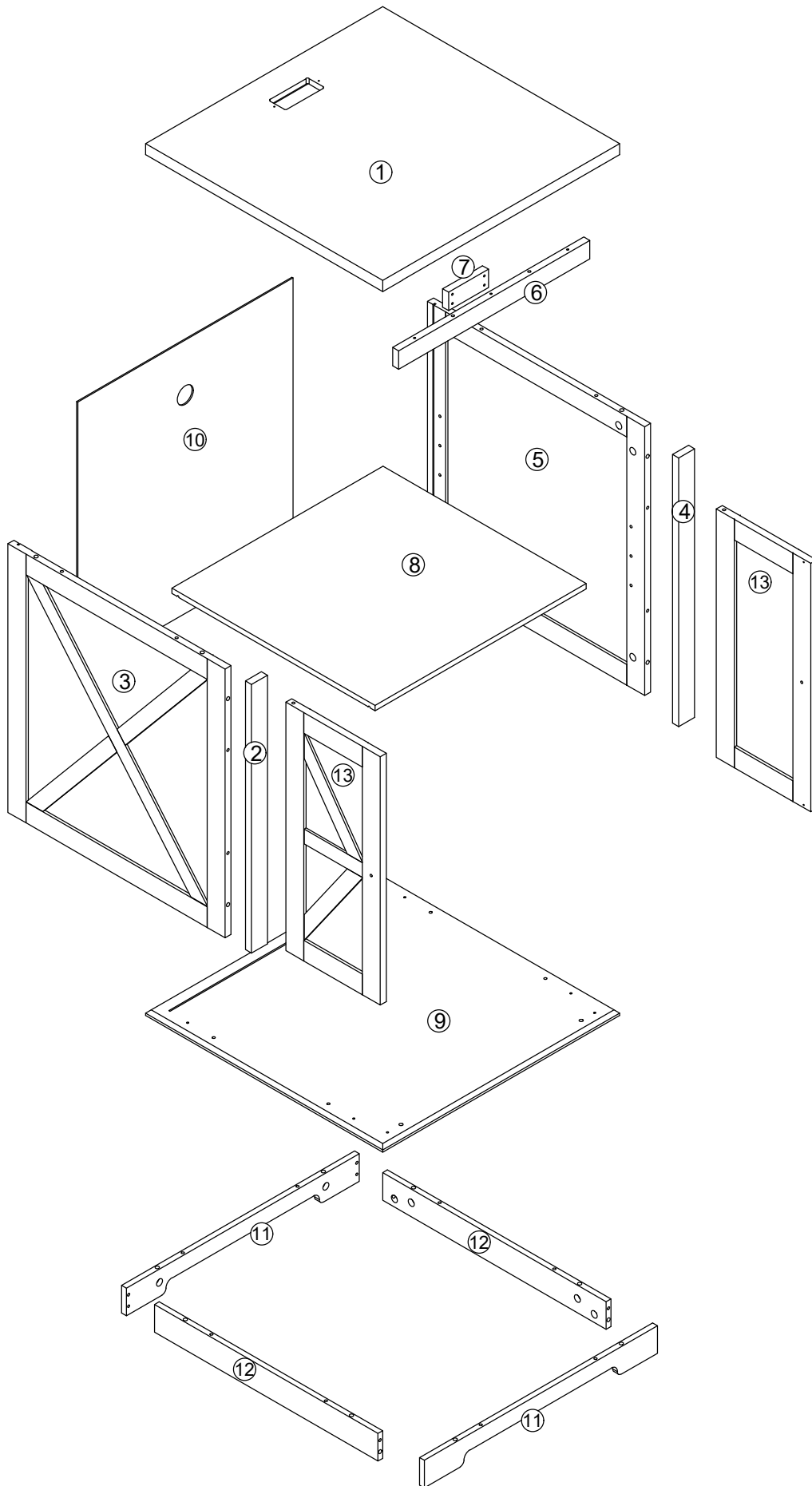


**EN\_Quickfit head** should be in the centre of the cam lock when the two panels are joined.  
Cam lock should be inserted before quickfit.

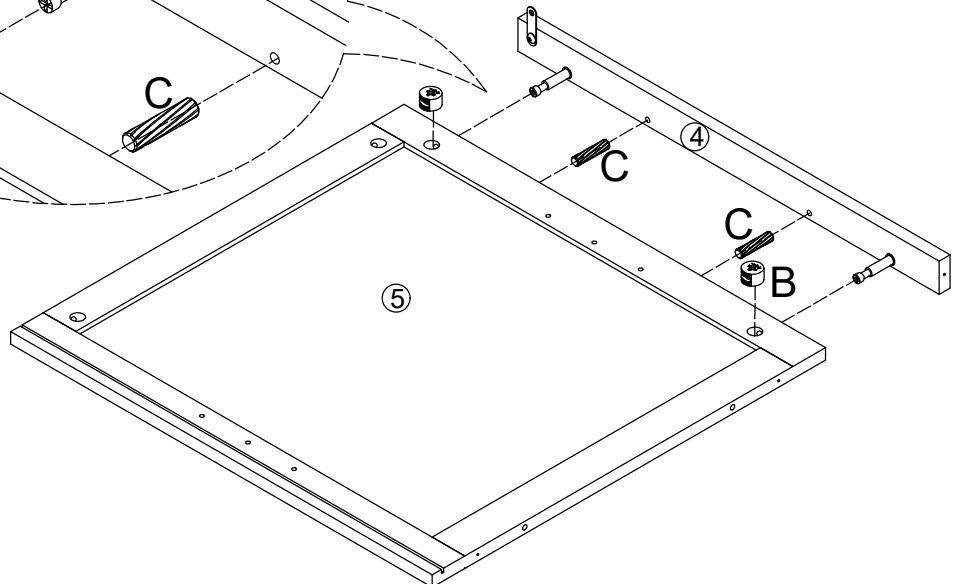
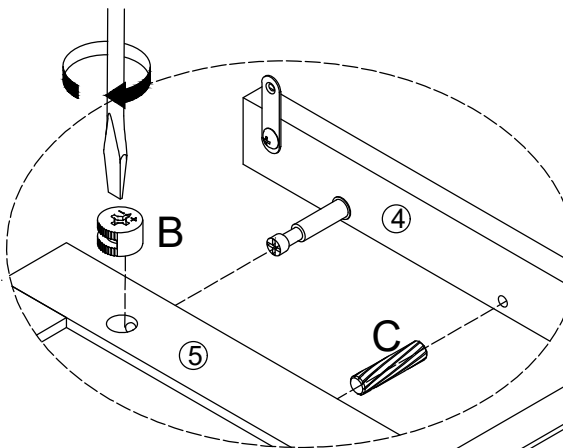
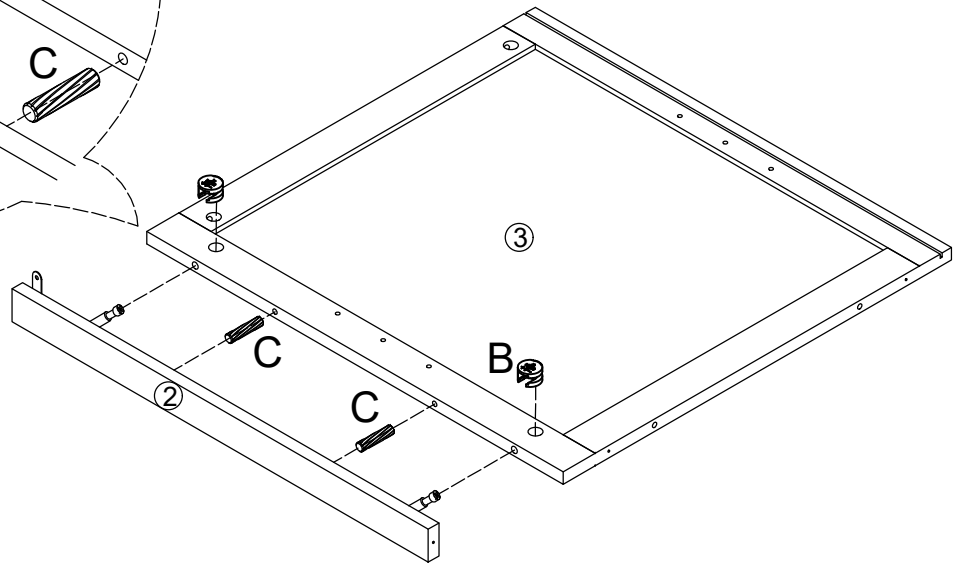
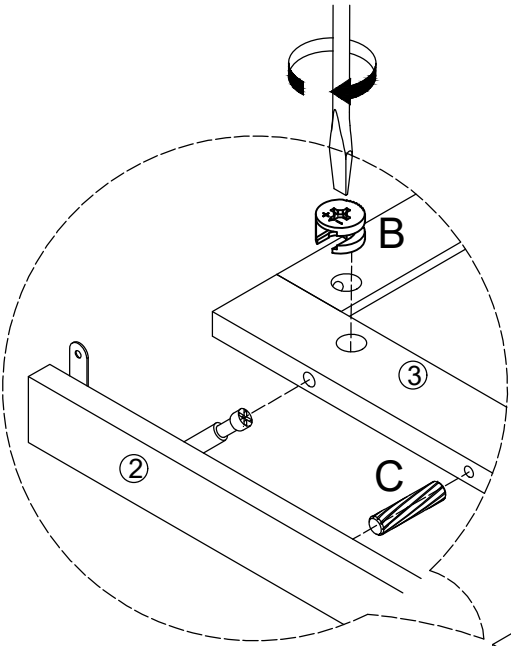
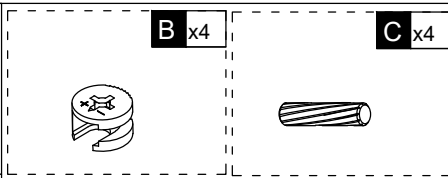
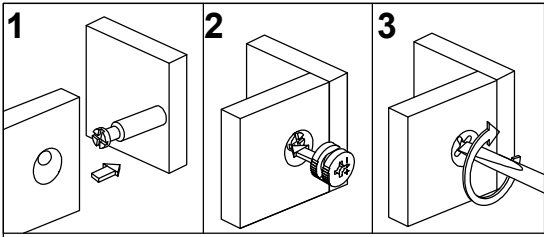


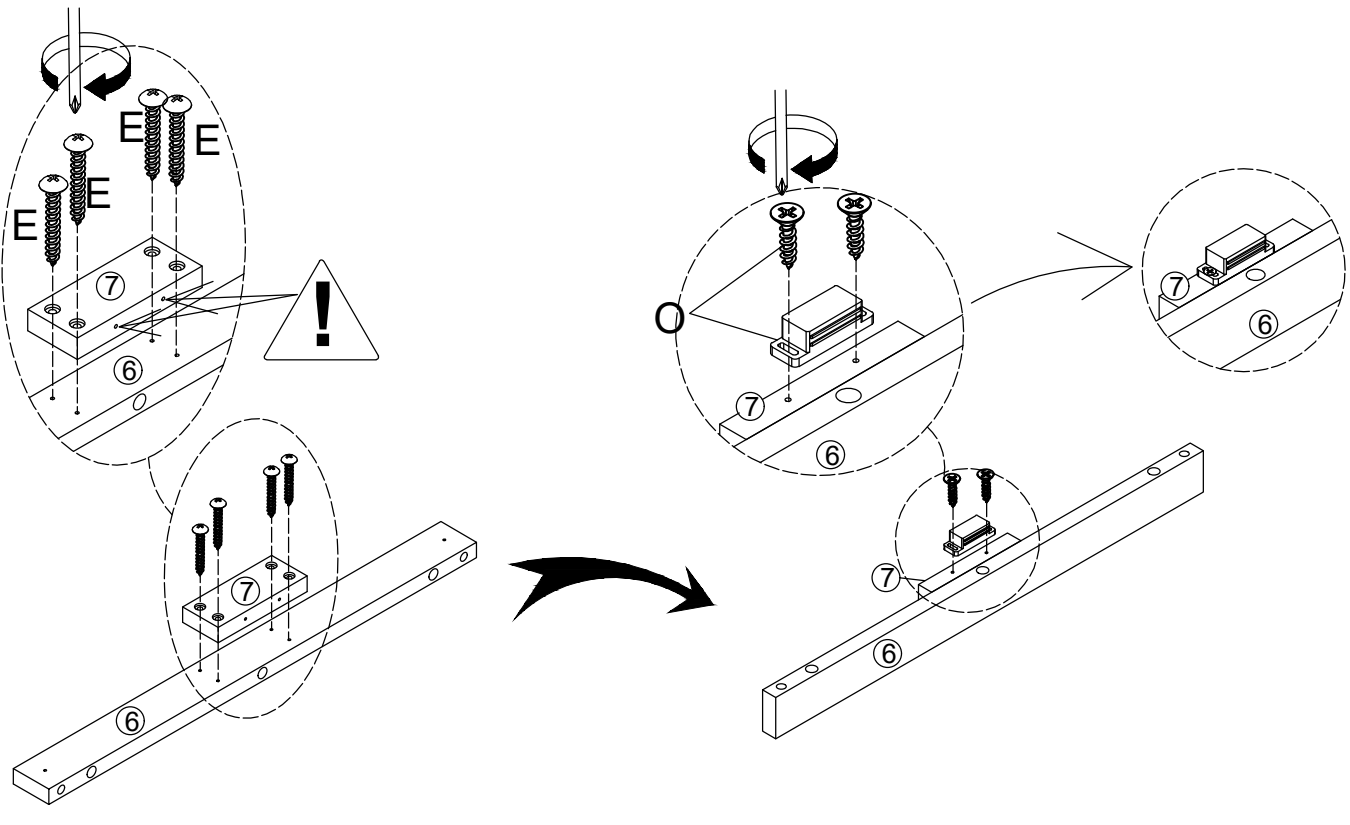
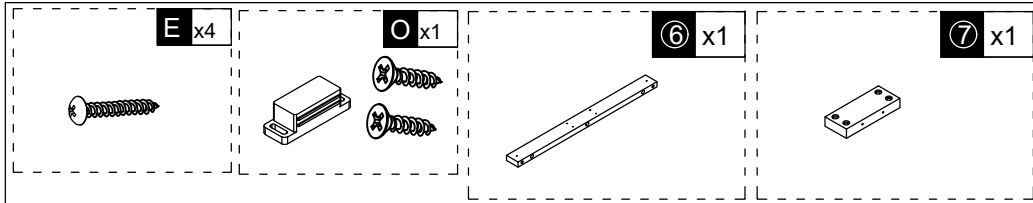
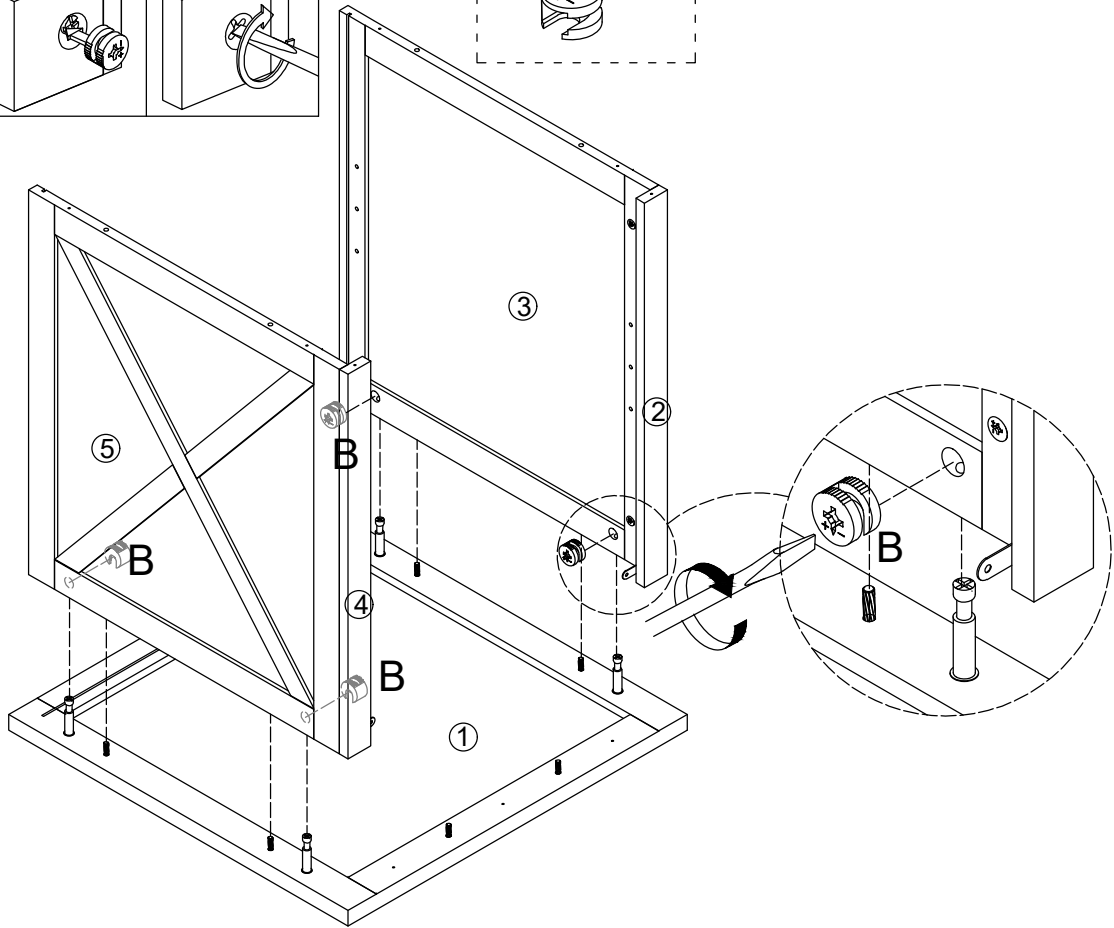
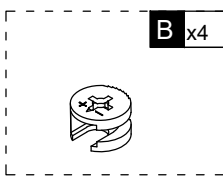
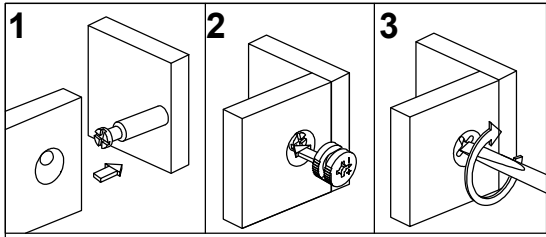
**EN\_Turn** cam lock clockwise to tighten.





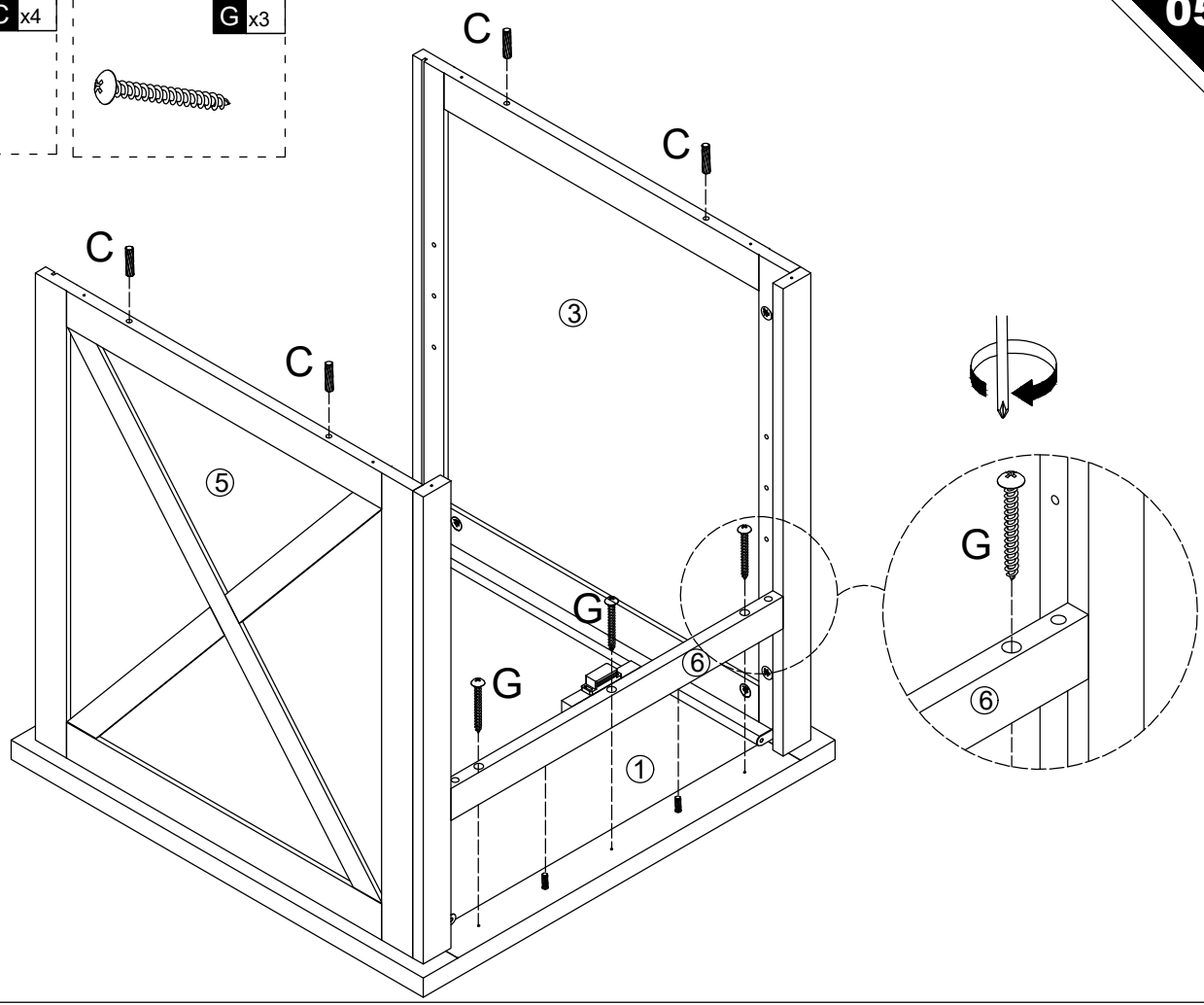




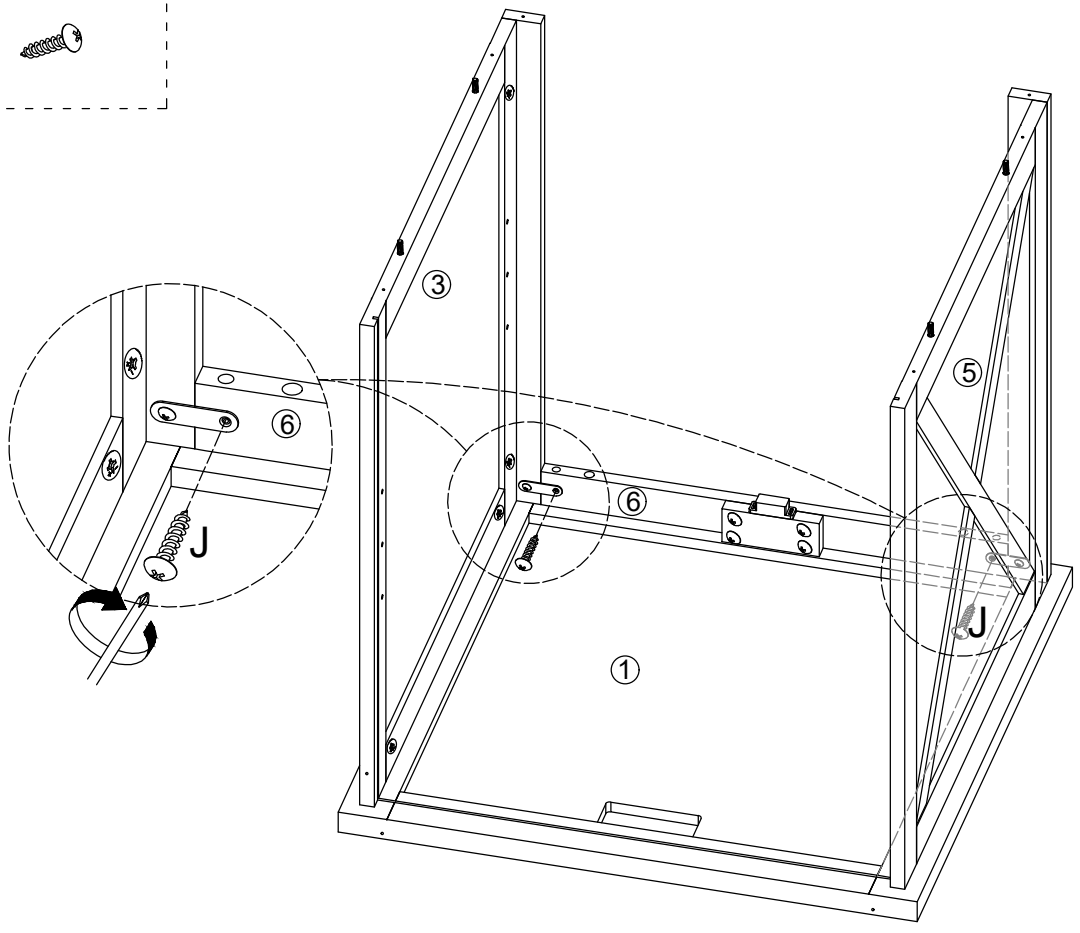


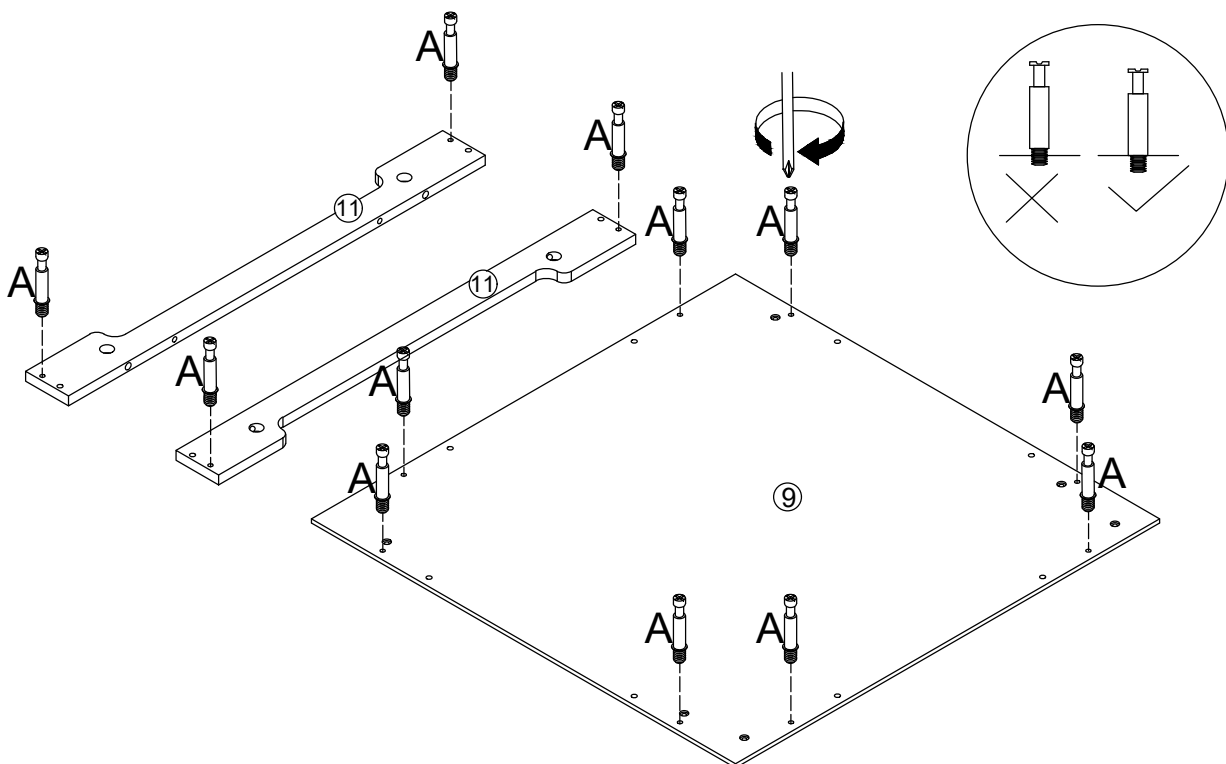
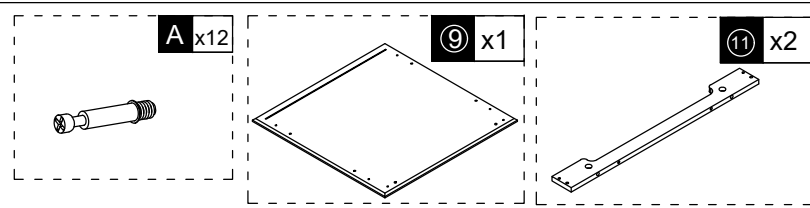
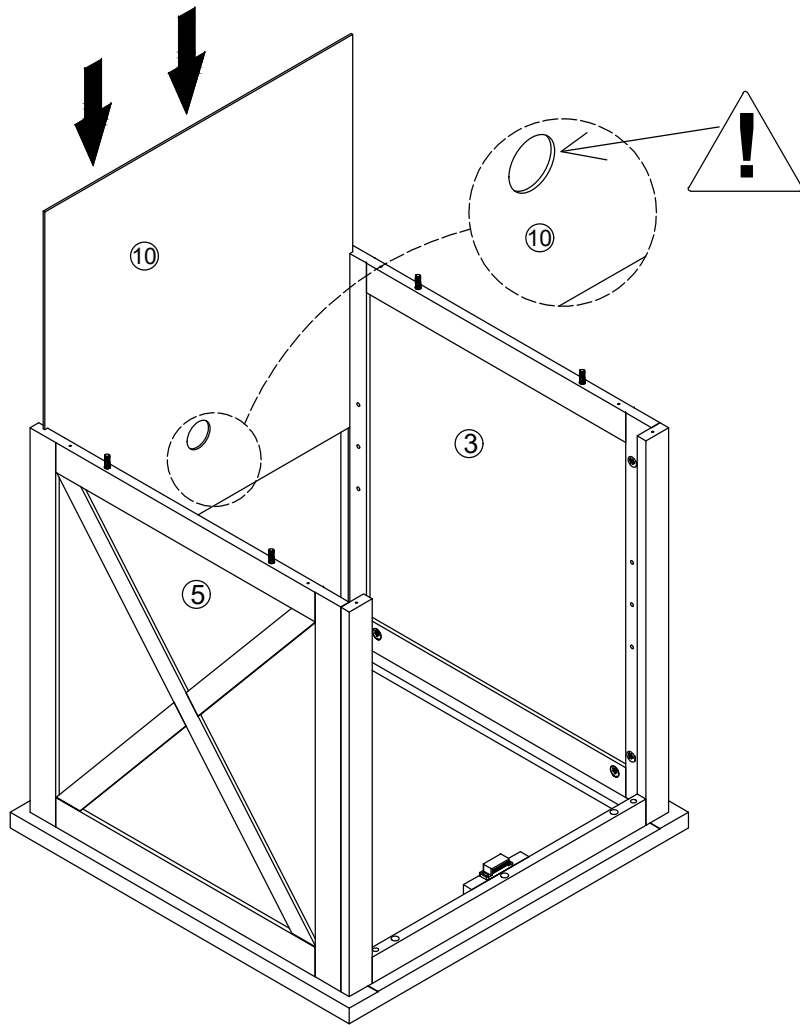
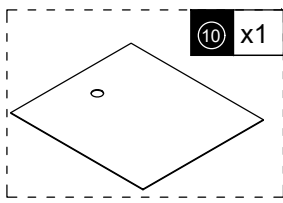
C x4

G x3

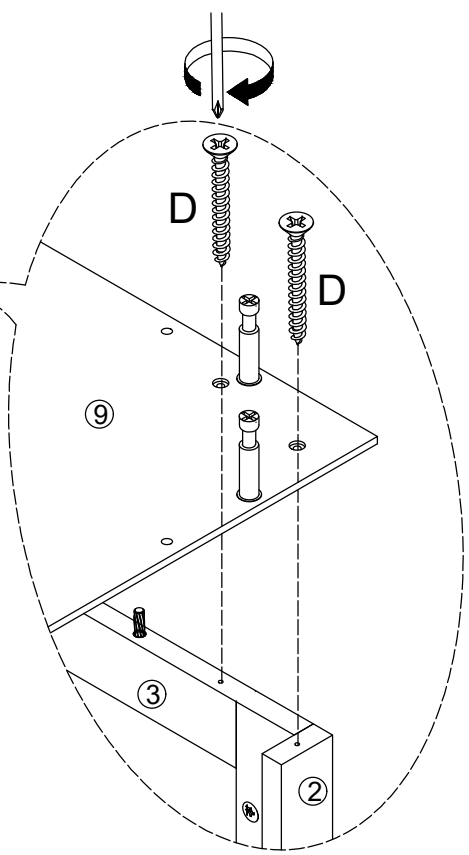
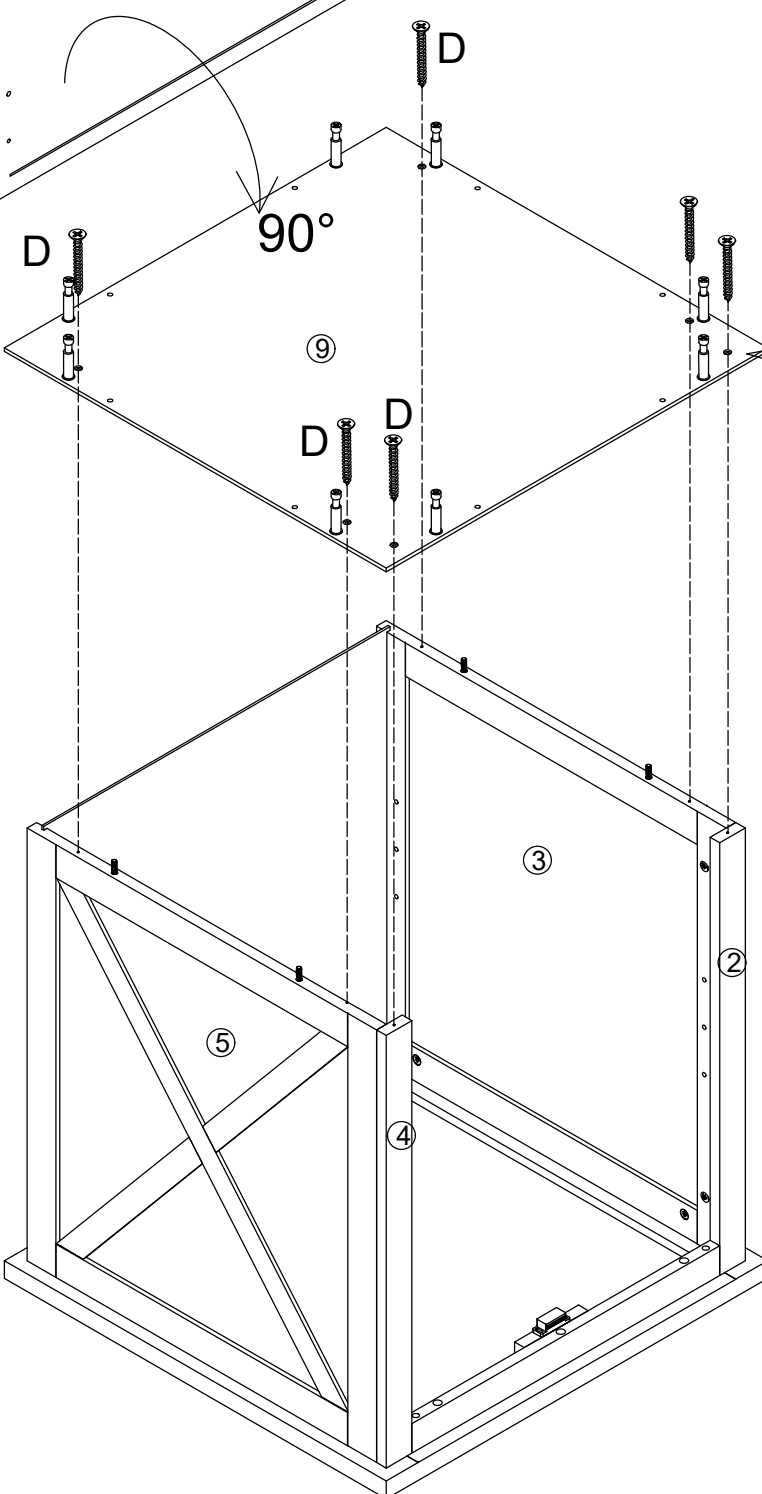
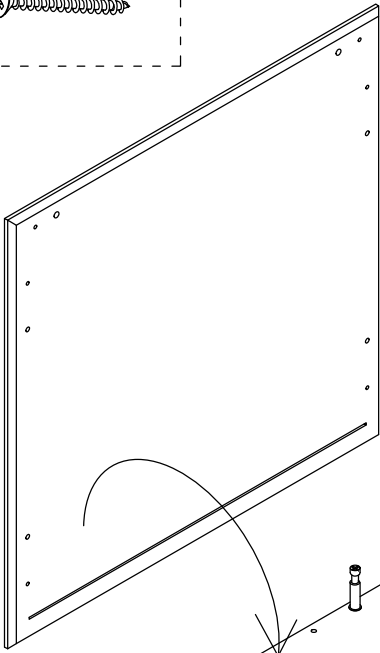


J x2

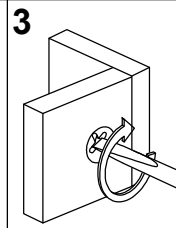
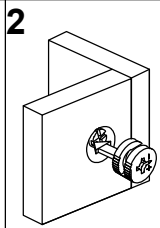
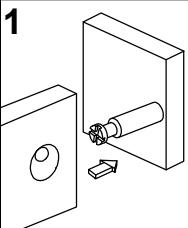
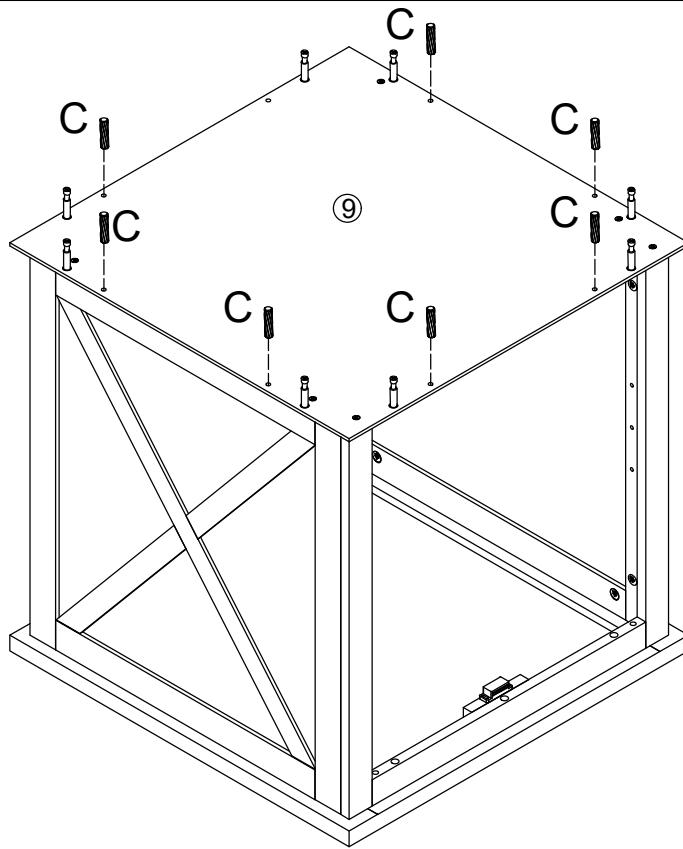




D x6



C x8



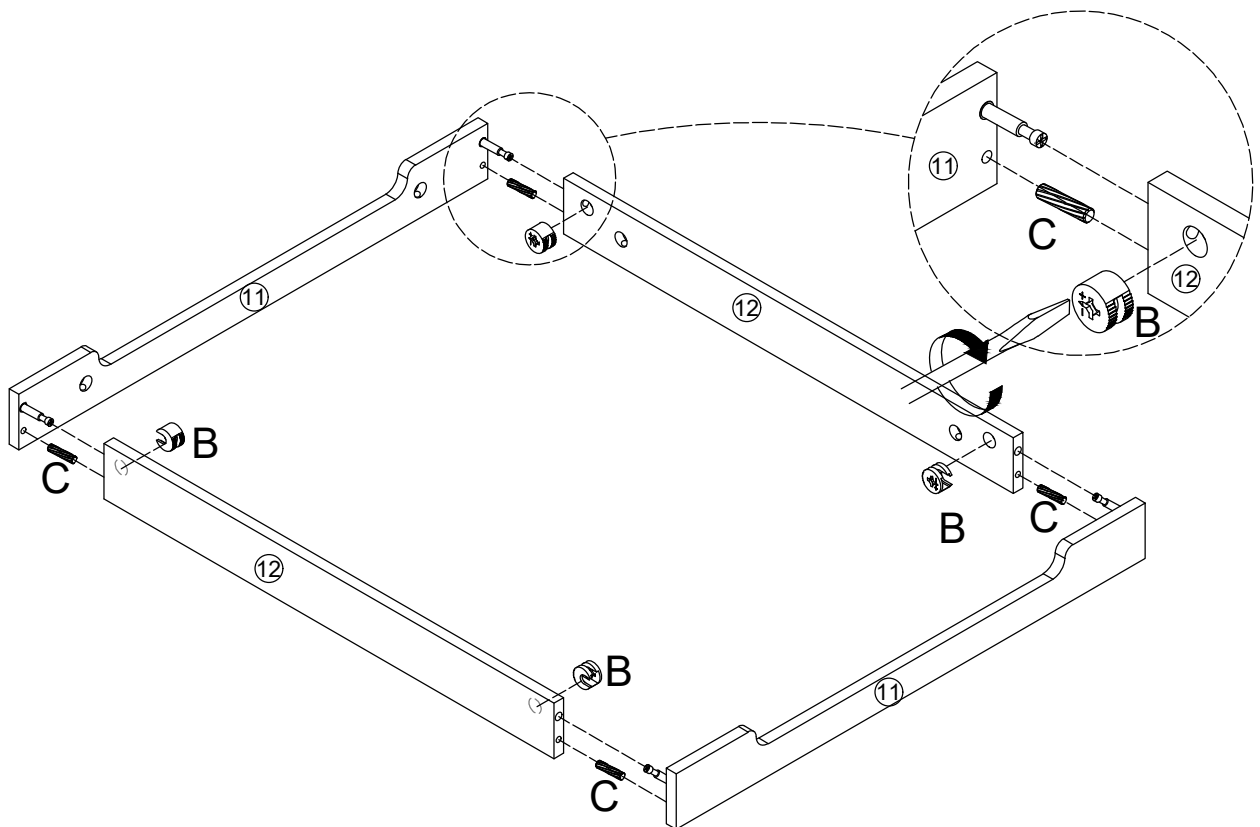
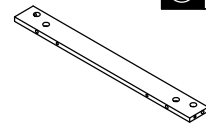
B x4

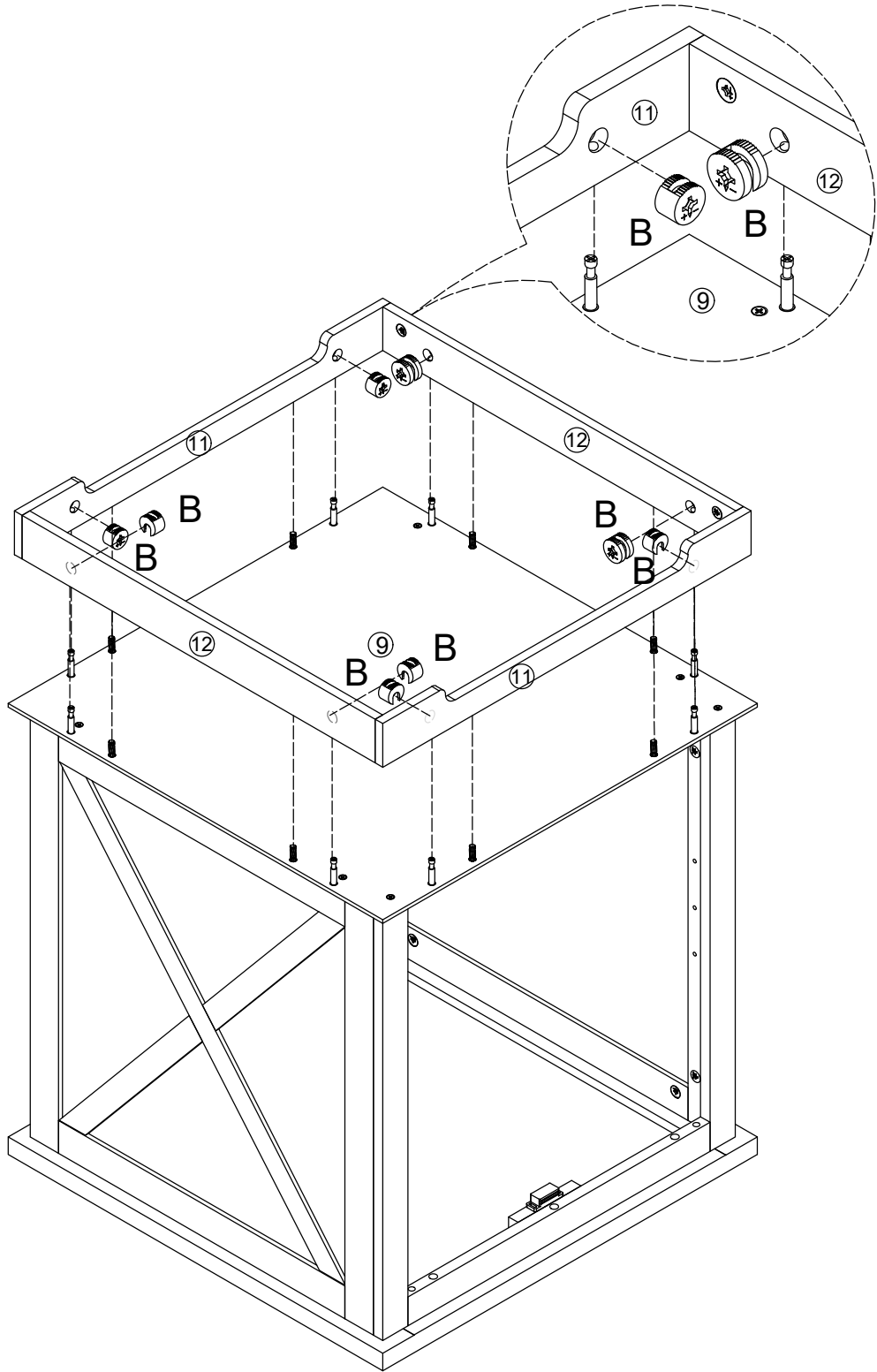
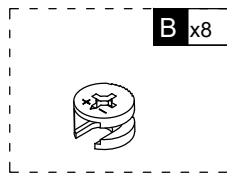
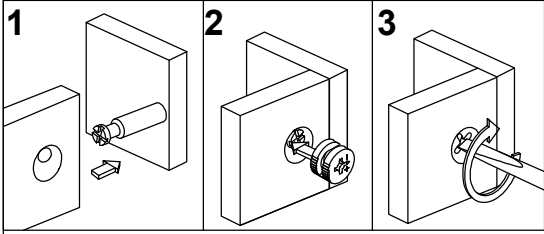


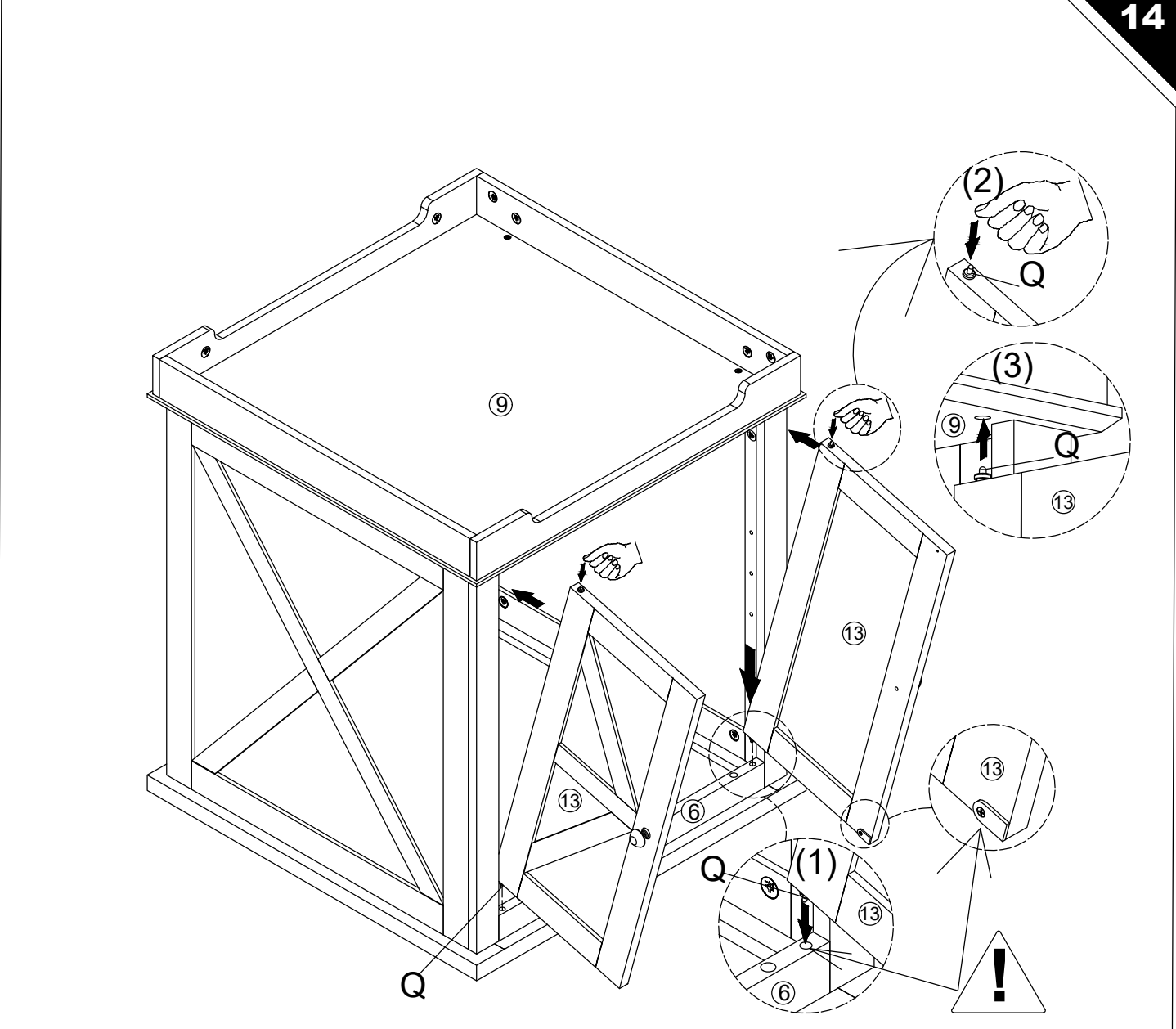
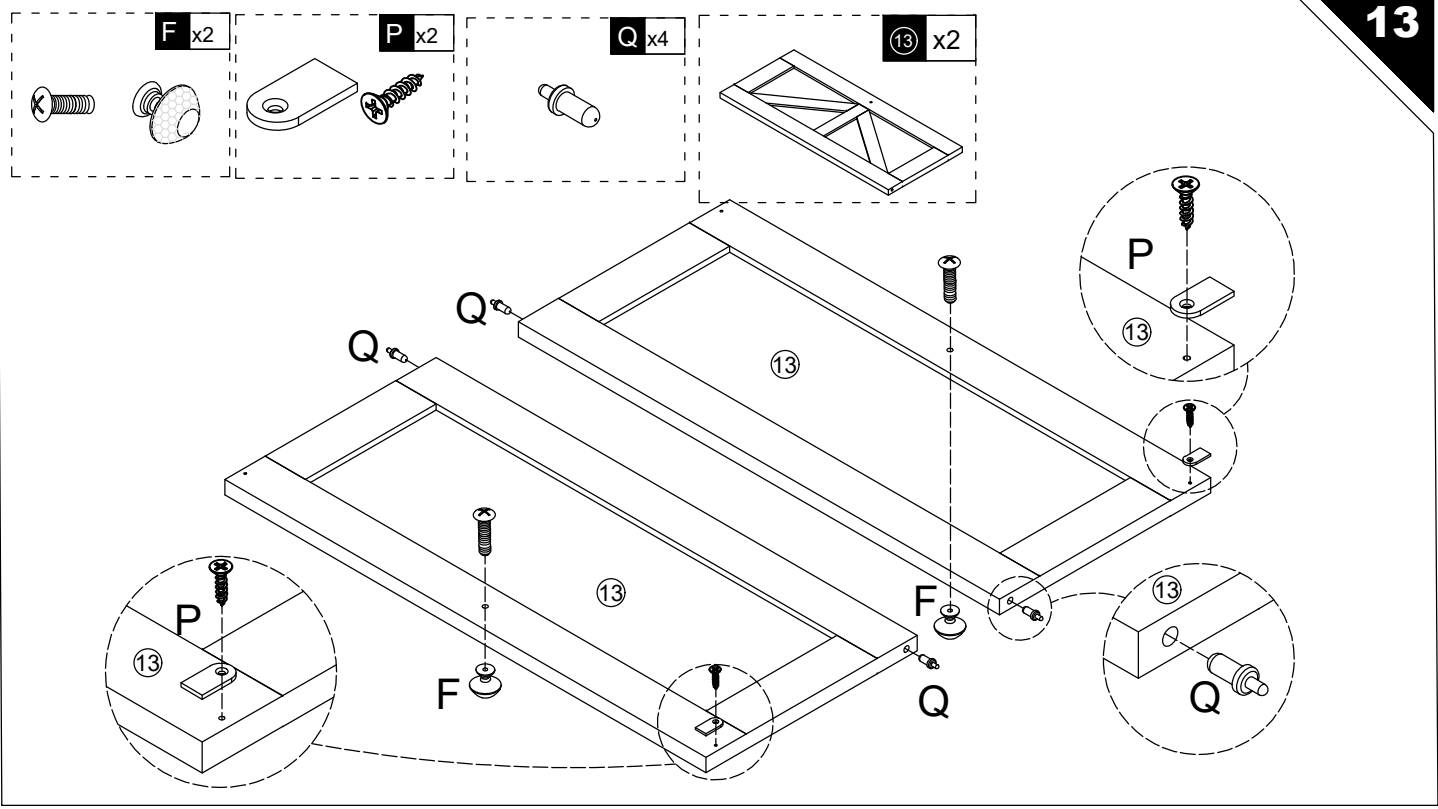
C x4

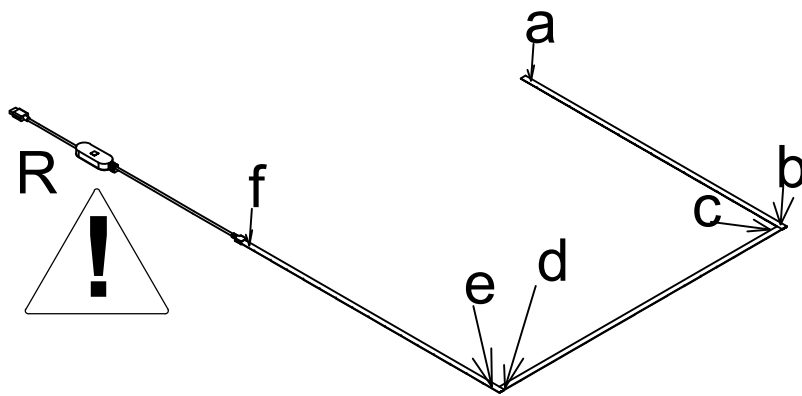
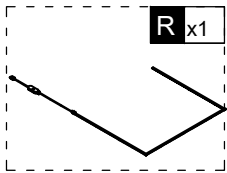


12 x2

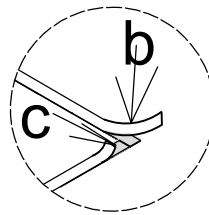
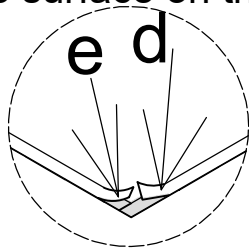




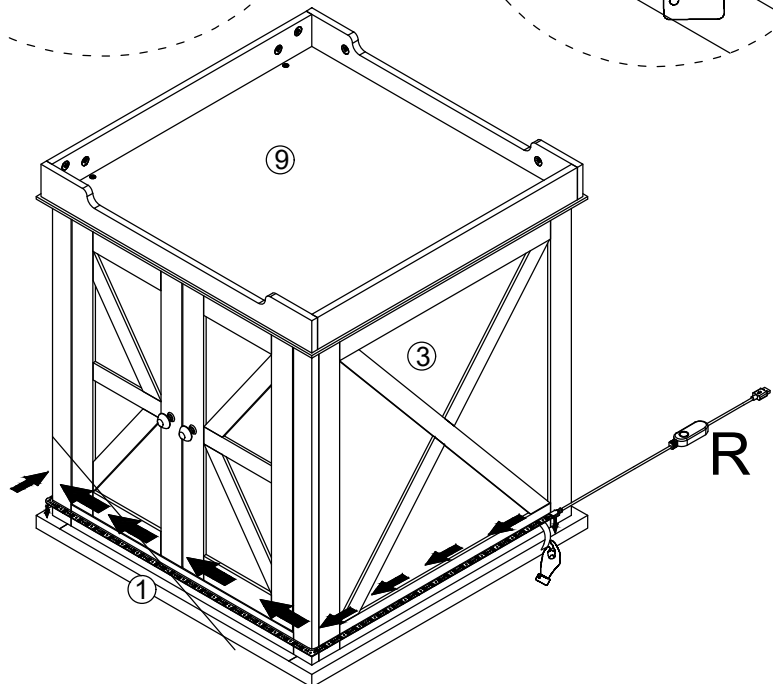
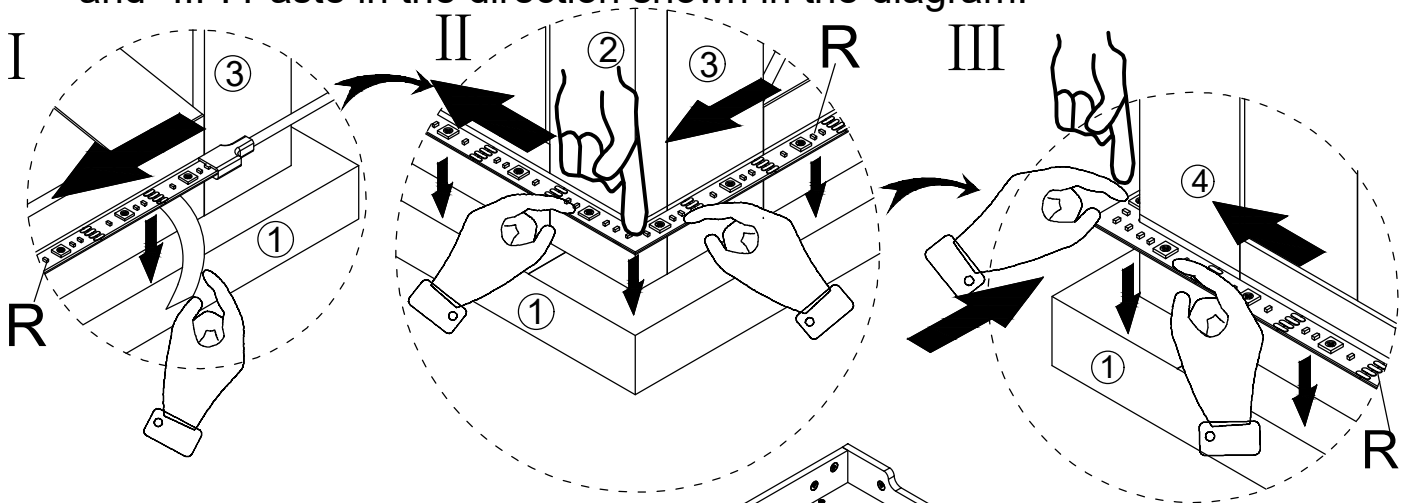




- (1) First, tear off a small section of the adhesive surface on the left end of the light strip "R" and the end points "d" and "e", as well as the adhesive surface on the right end points "b" and "c".

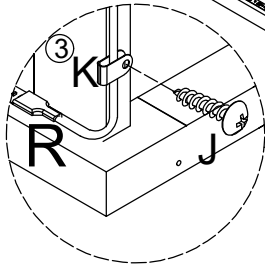
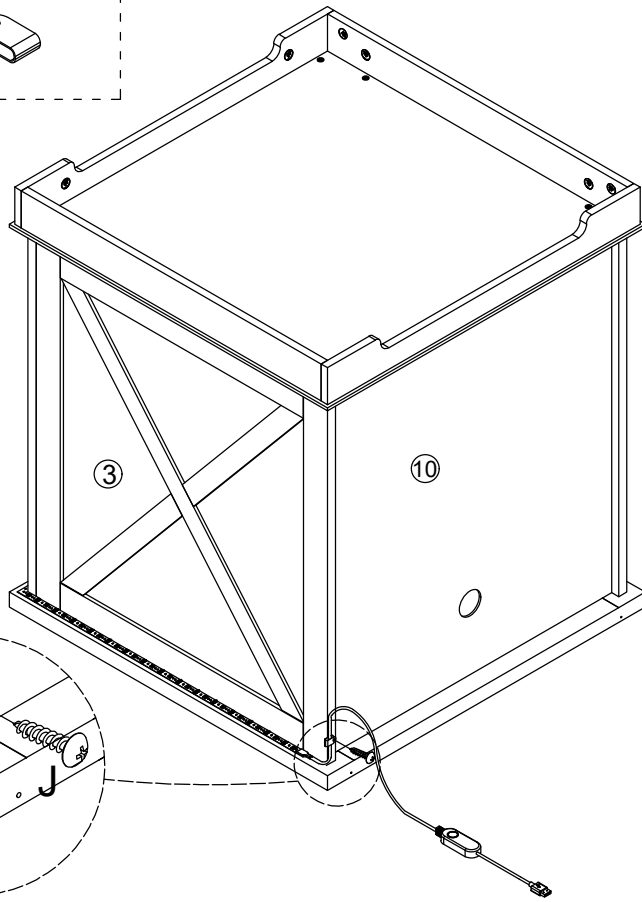


- (2) As shown in the figure, please pour the cabinet onto the ground and peel it off. When pasting the light strip "R" onto the 1th board, the adhesive on the back of the light strip "R" is shown in figures "I", "II", and "III". Paste in the direction shown in the diagram.



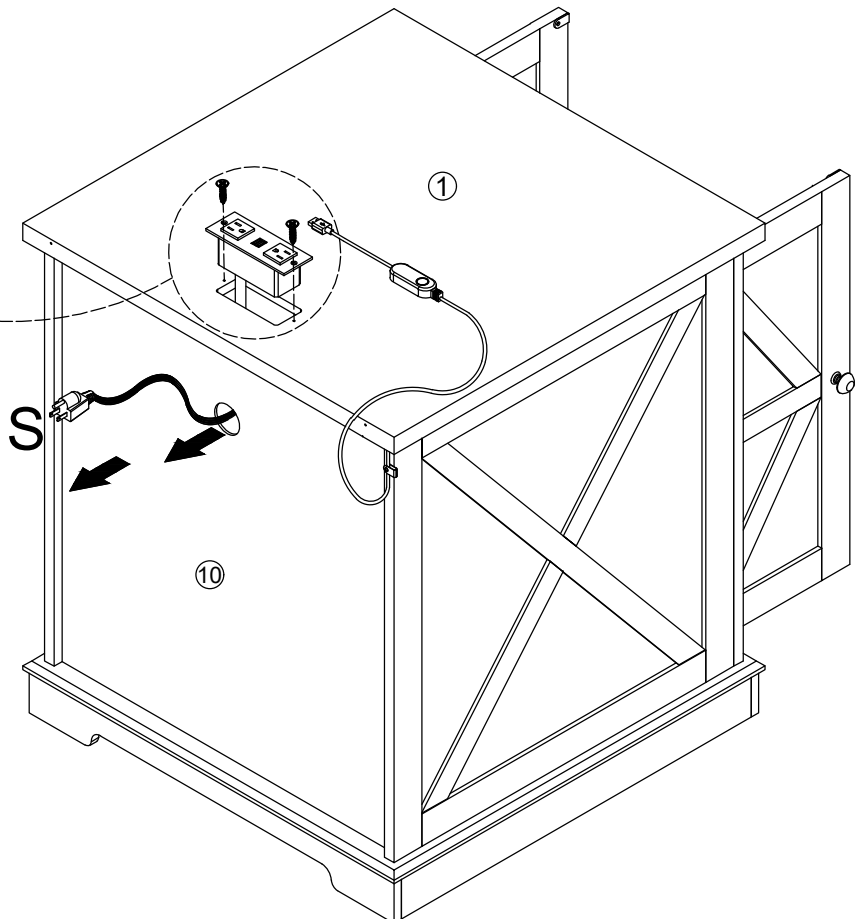
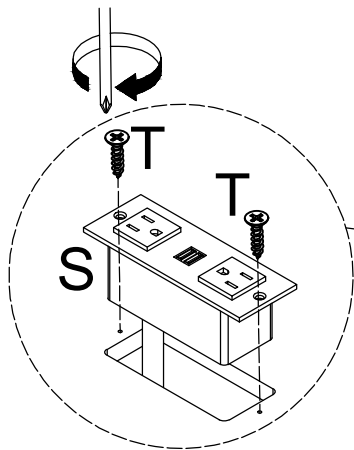
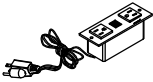
J x1

K x1



S x1

T x2

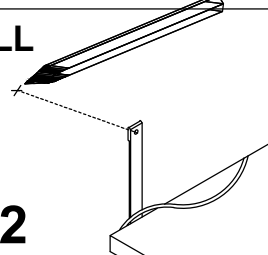
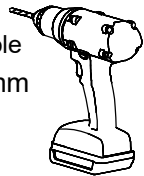
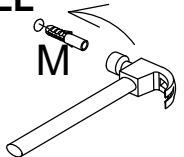


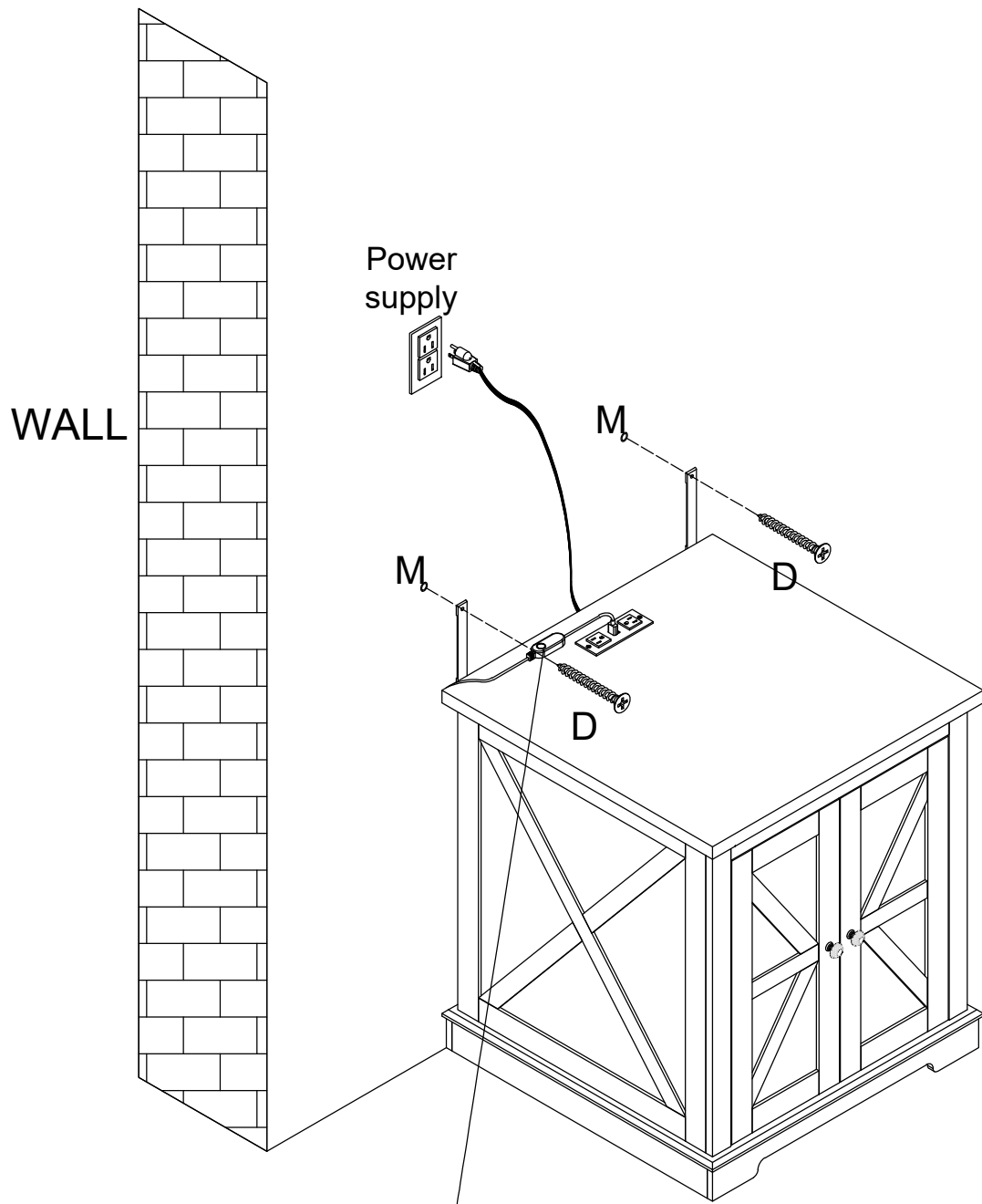


D x2

M x2



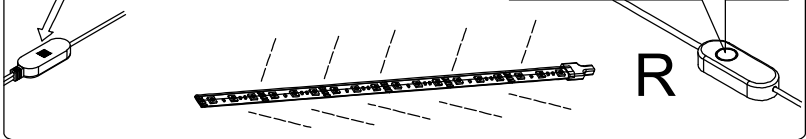
<p>WALL</p>  <p>I x2</p>	<p>WALL + drilling hole Ø6x30mm</p>  <p>II x2</p>	<p>WALL</p>  <p>III x2</p>
---	--	---



Scan QR code to download APP controller

OR

Flip to the other side for Key control



R