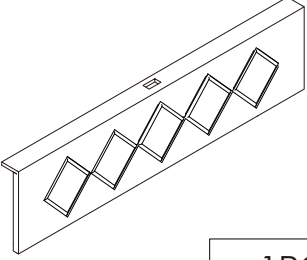
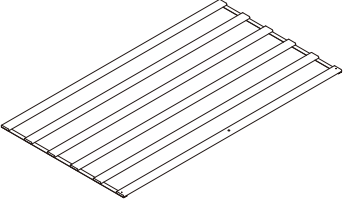
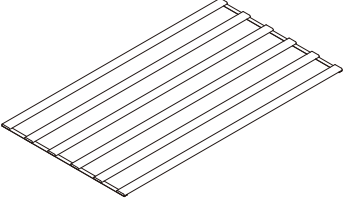




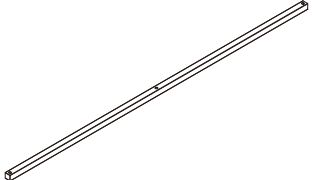
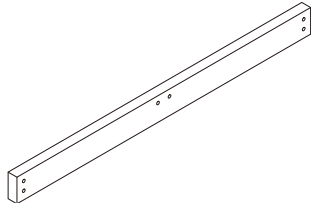

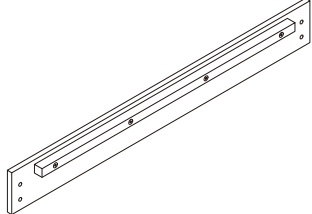
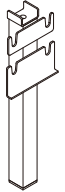
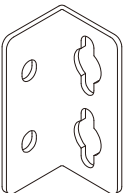
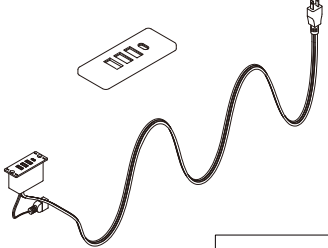
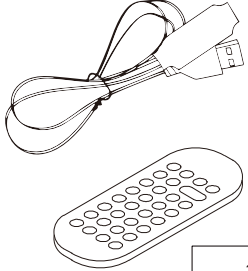
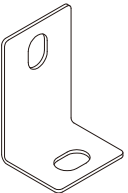
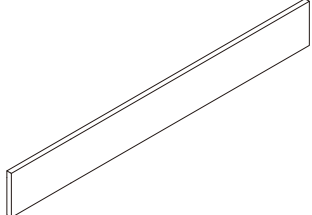
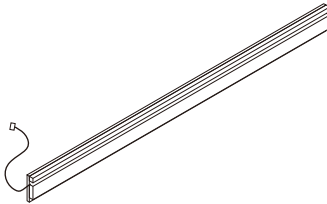


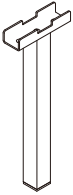
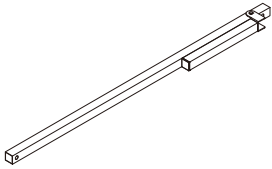
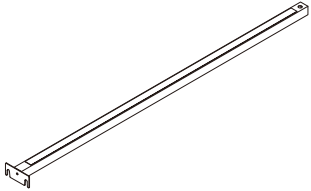
# PARTS LIST

P.2

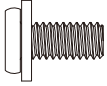
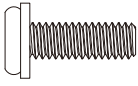
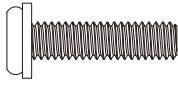
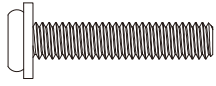

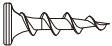
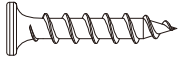

<p>1</p>  <p>1PC</p>	<p>2</p>  <p>1PC</p>	<p>3</p>  <p>1PC</p>
<p>4</p>  <p>1PC</p>	<p>5</p>  <p>1PC</p>	<p>6</p>  <p>1PC</p>
<p>7</p>  <p>1PC</p>	<p>8</p>  <p>1PC</p>	<p>9</p>  <p>1PC</p>
<p>10</p>  <p>2PCS</p>	<p>11</p>  <p>4PCS</p>	<p>12</p>  <p>2PCS</p>
<p>13</p>  <p>4PCS</p>	<p>14</p>  <p>1PC</p>	<p>15</p>  <p>1PCS</p>
<p>16</p>  <p>10PCS</p>	<p>17</p>  <p>1PC</p>	<p>18</p>  <p>1PC</p>

# PART LIST

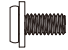

P.3

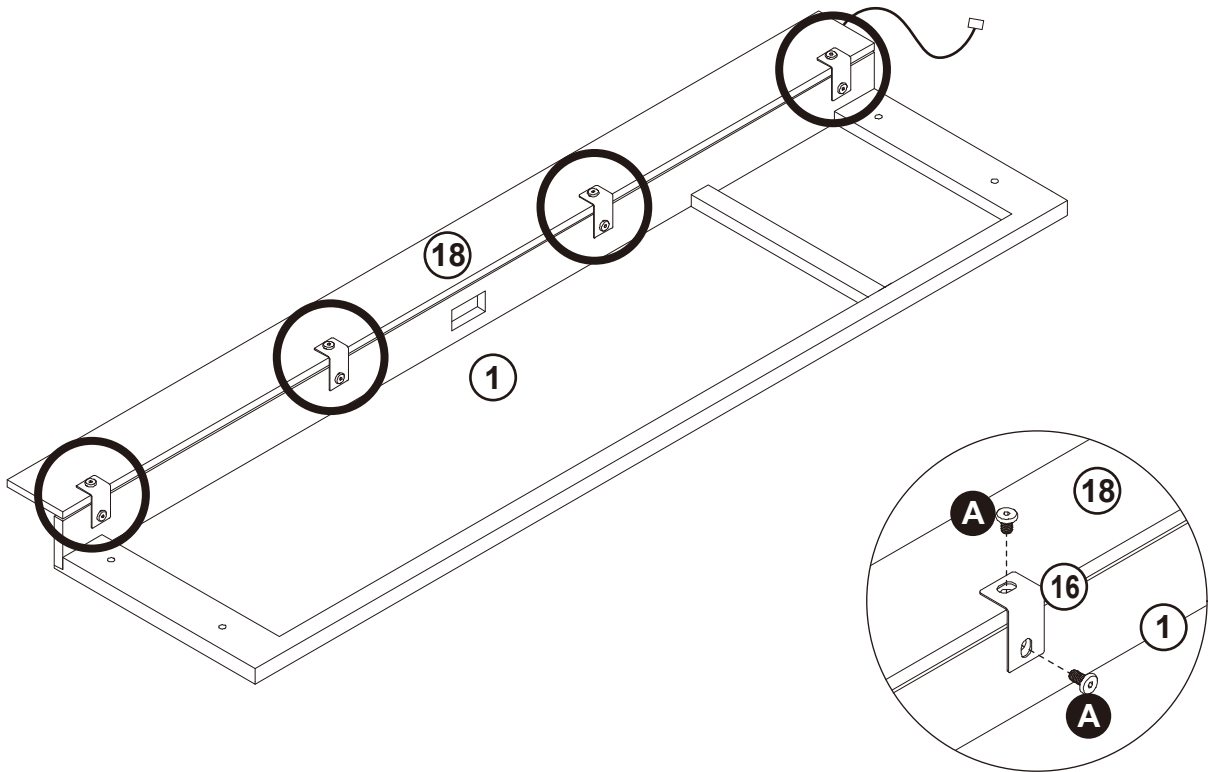
<p><b>19</b></p>  <p>1PC</p>	<p><b>20</b></p>  <p>1PC</p>	<p><b>21</b></p>  <p>1PC</p>
---	---	---

# HARDWARE LIST

<p><b>A</b></p>  <p>5/16x16mm x32+2PCS</p>	<p><b>B</b></p>  <p>5/16x25mm x14+2PCS</p>	<p><b>C</b></p>  <p>5/16x35mm x4+1PCS</p>	<p><b>D</b></p>  <p>5/16x45mm x5+1PCS</p>
<p><b>E</b></p>  <p>1/4x45mm x1PC</p>	<p><b>F</b></p>  <p>M3x15mm x2+1PCS</p>	<p><b>G</b></p>  <p>M4x30mm x2+1PCS</p>	<p><b>H</b></p>  <p>M4x100 x1PC</p>

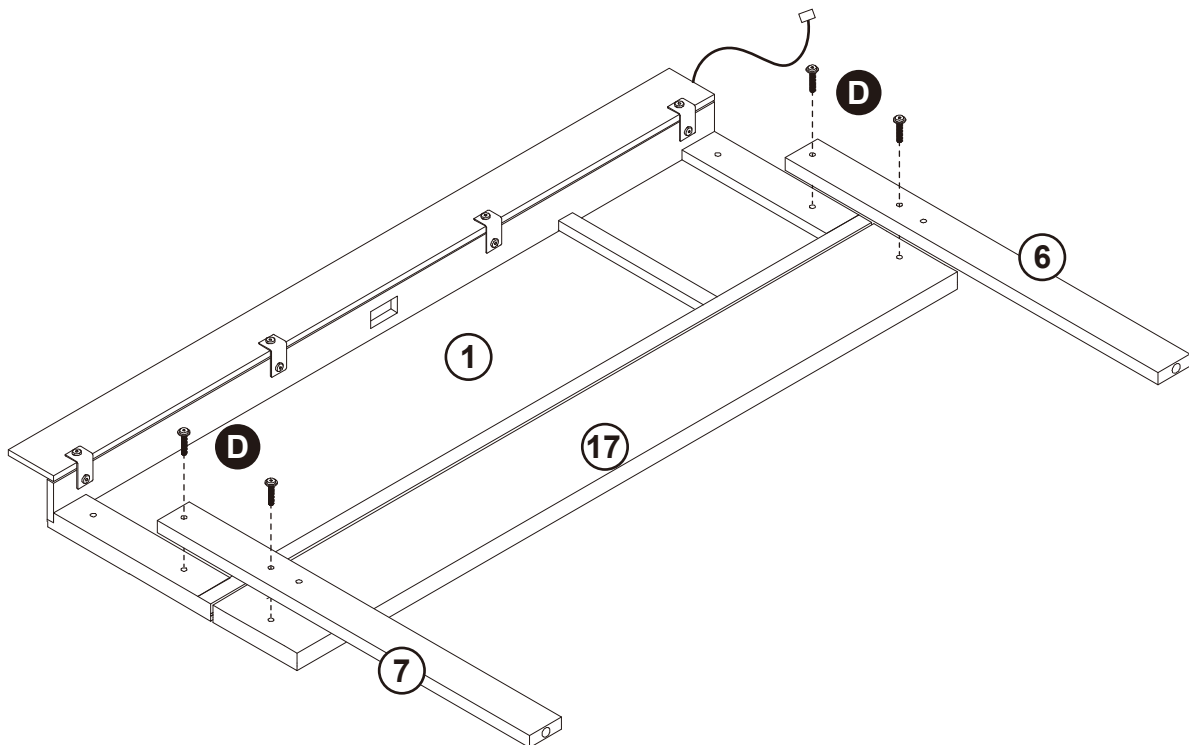
1

 A x 8  
 16x4



2

 D x 4

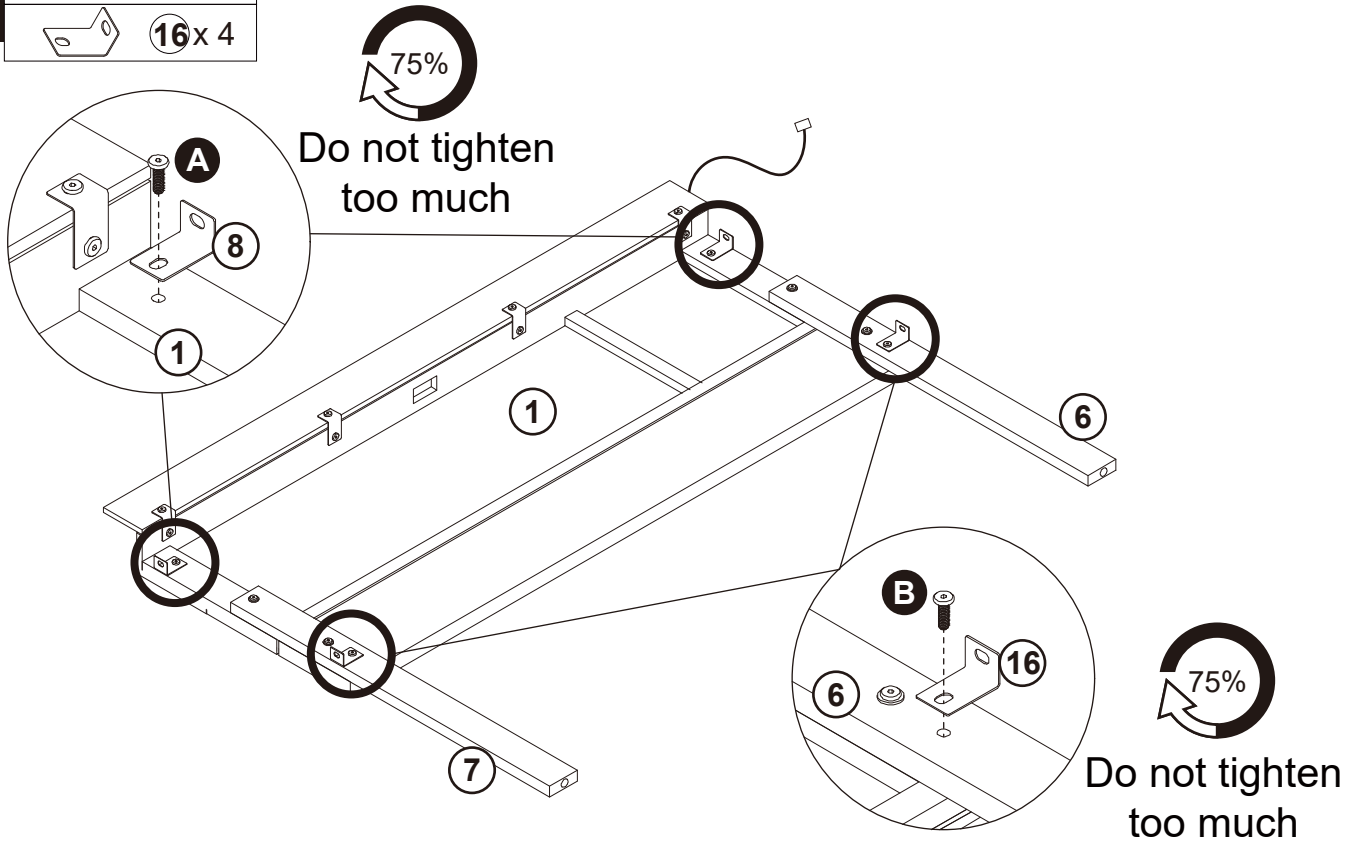


3

 A x 2

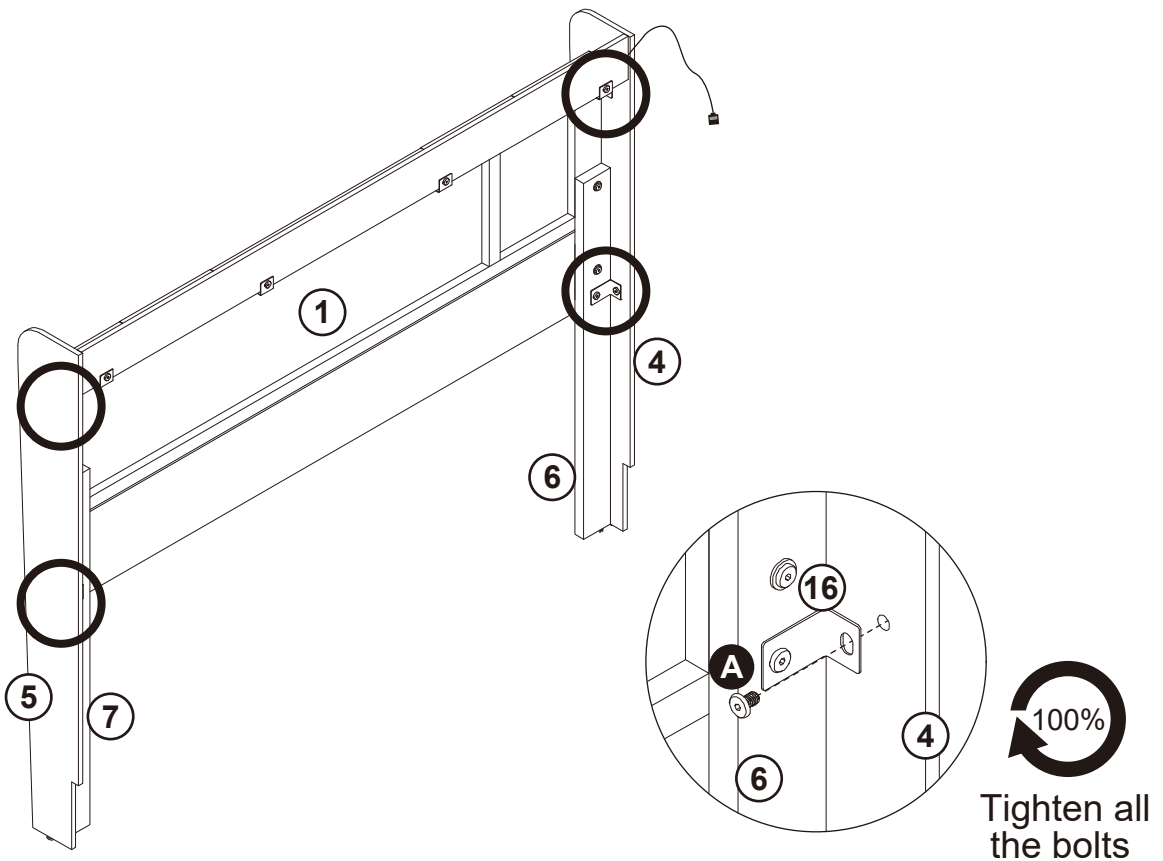
 B x 2

 16x4



4

 A x 4

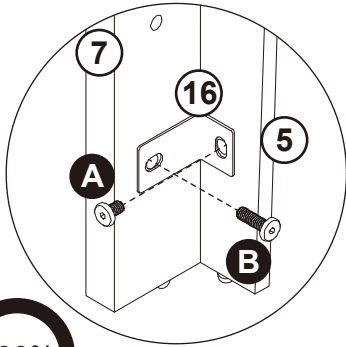


5

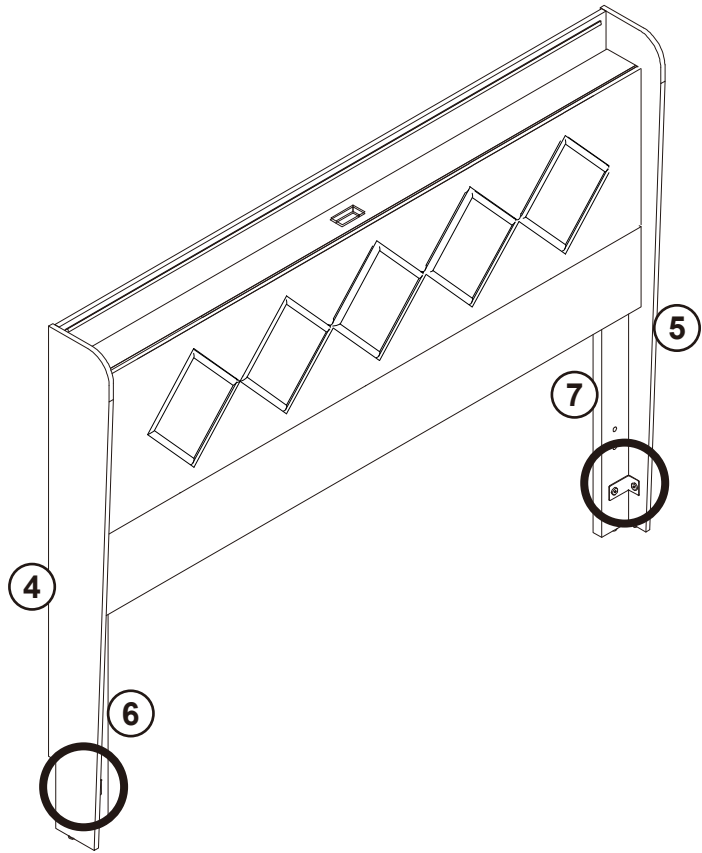
 A x 2

 B x 2

 16 x 2

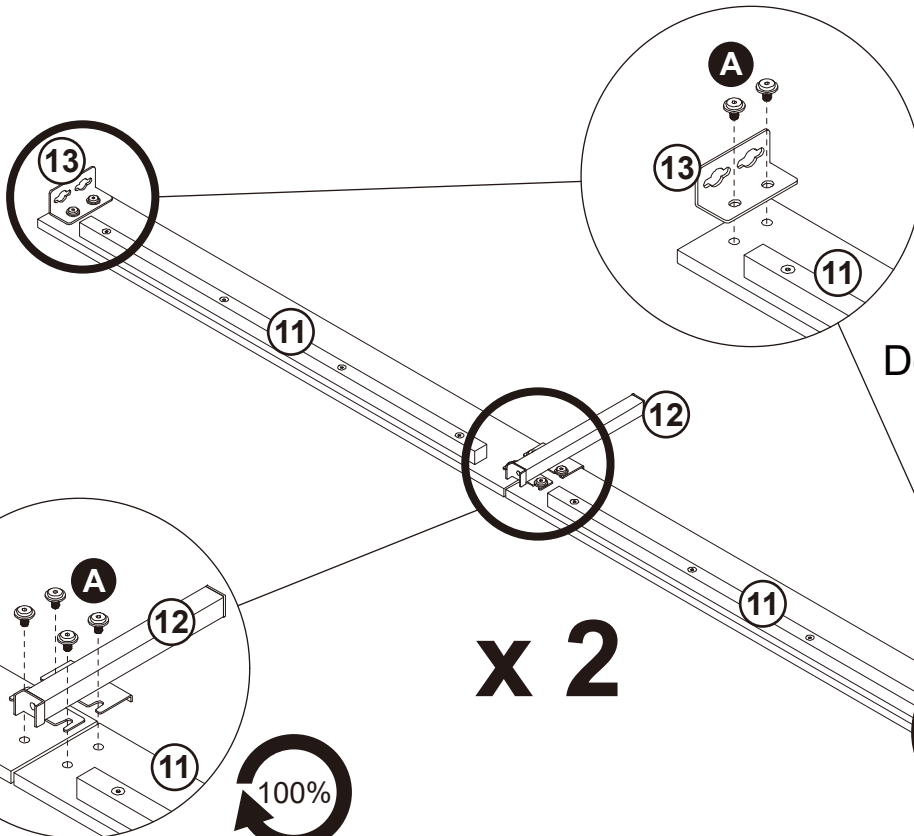


Tighten all the bolts



6

 A x 16

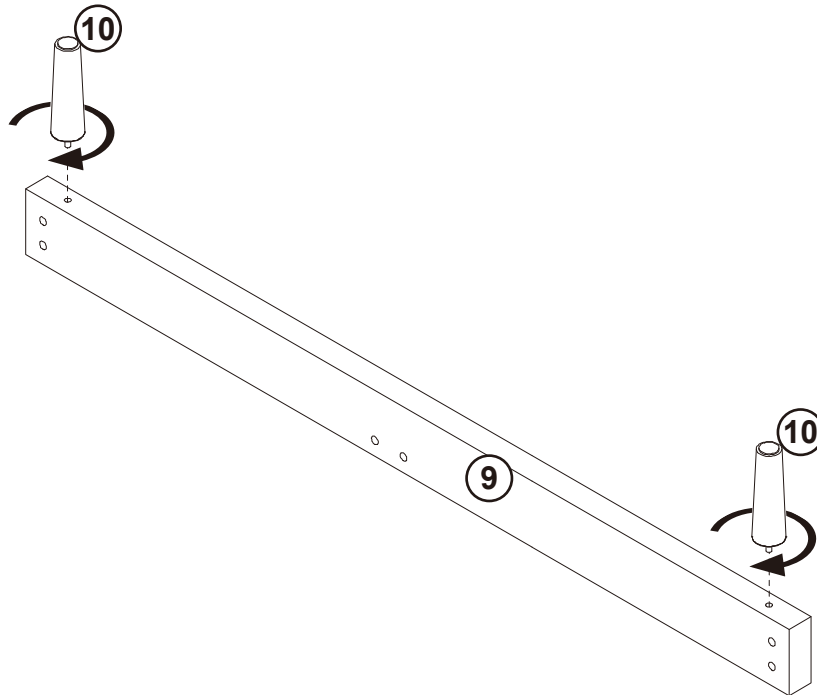


Do not tighten too much

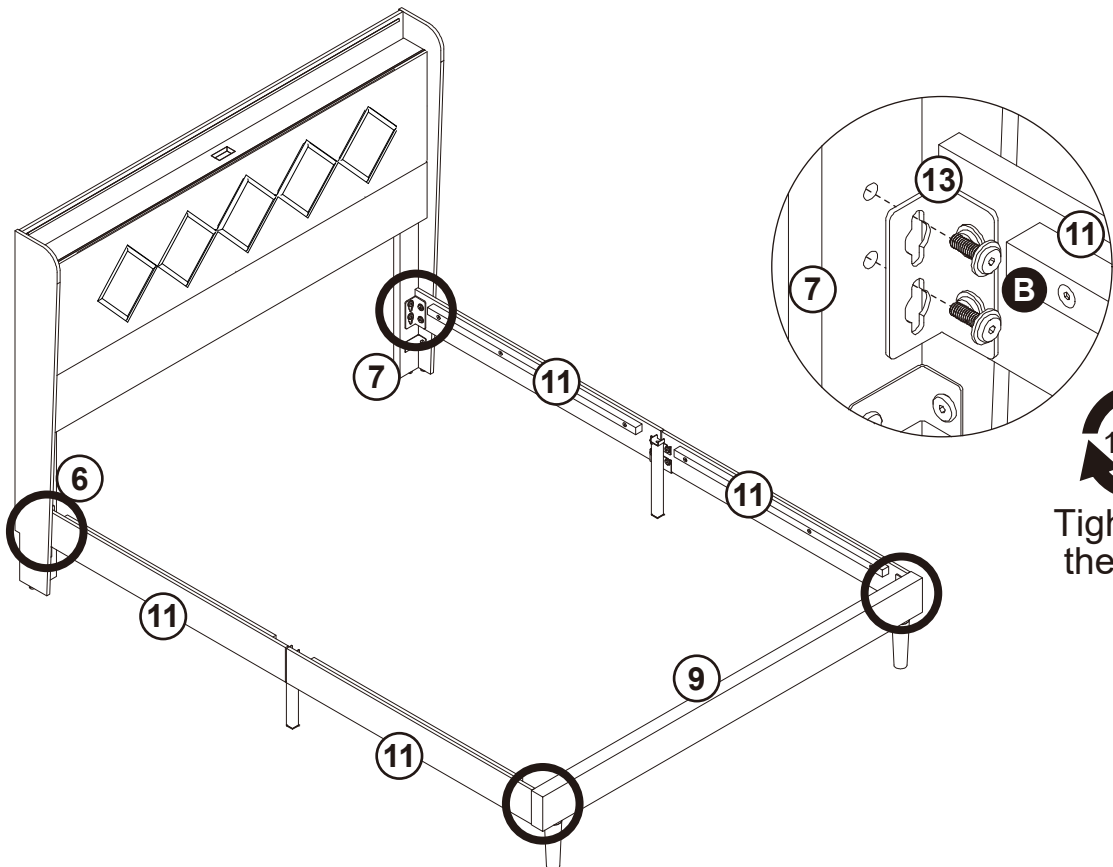


Tighten all the bolts

7



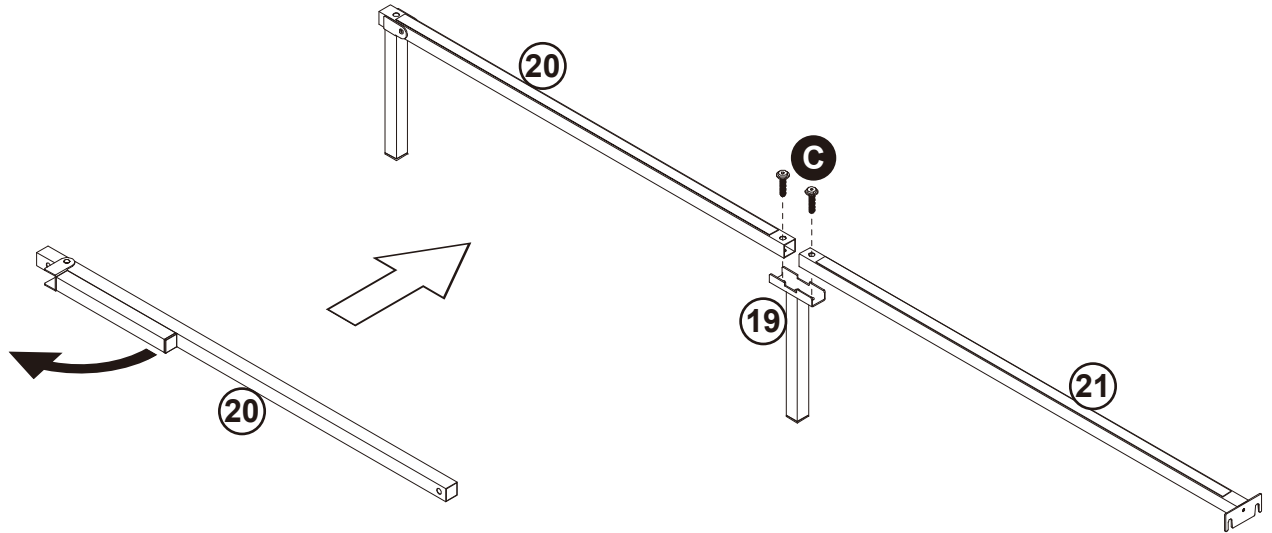
8



100%  
Tighten all  
the bolts

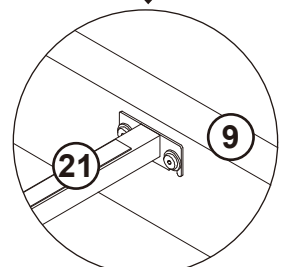
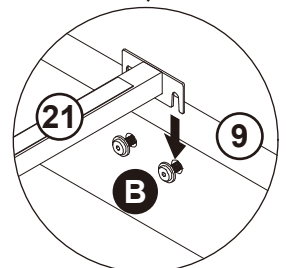
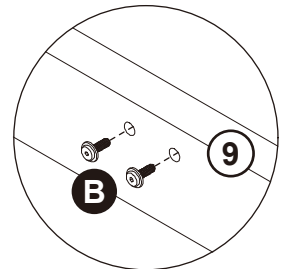
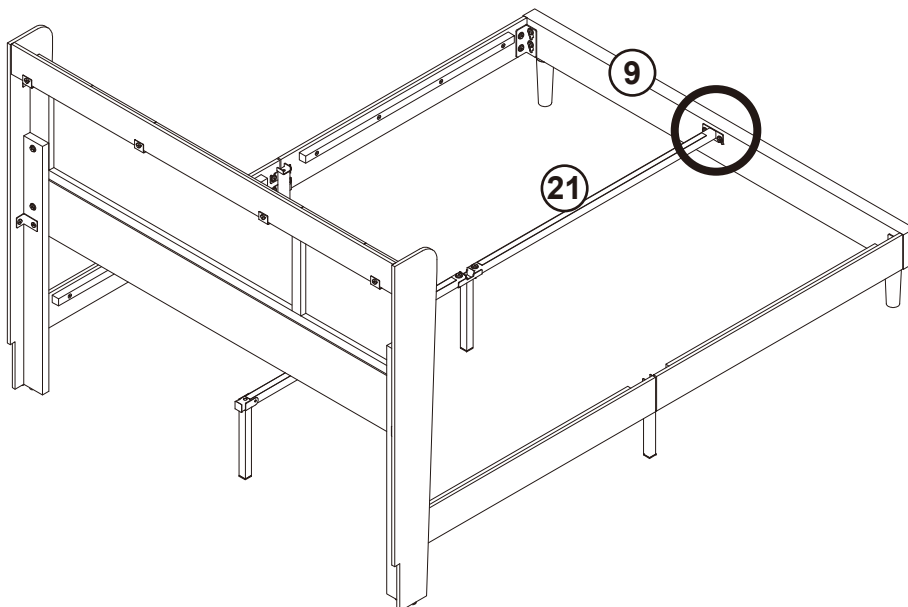
9

 C x 2



10

 B x 2

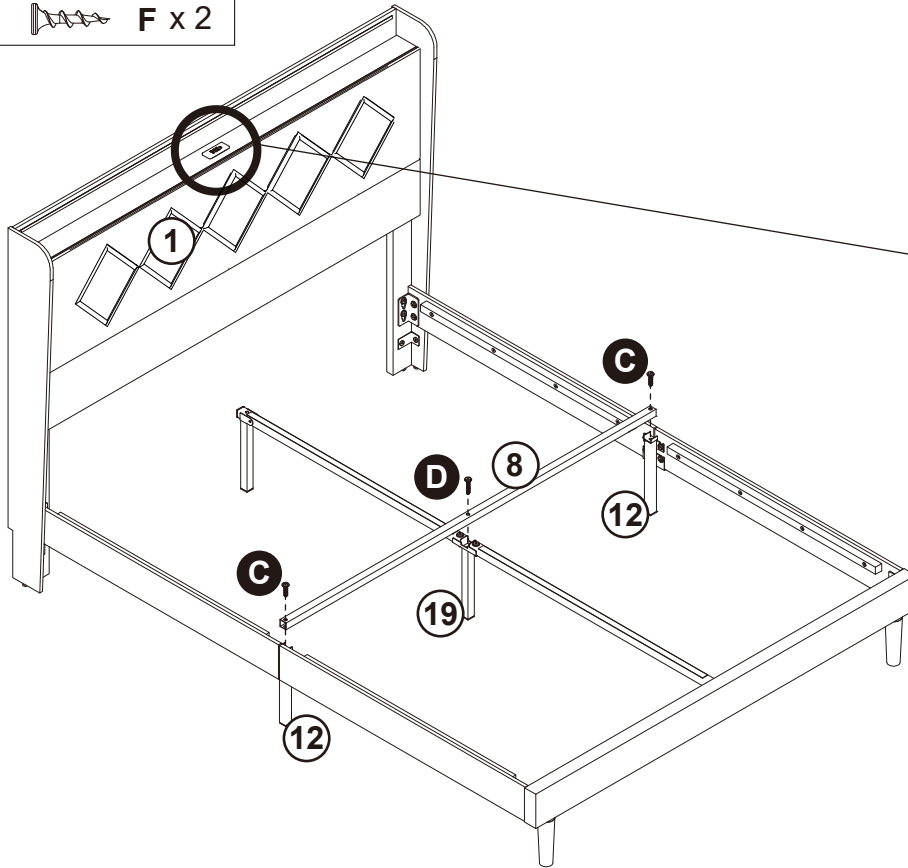


11

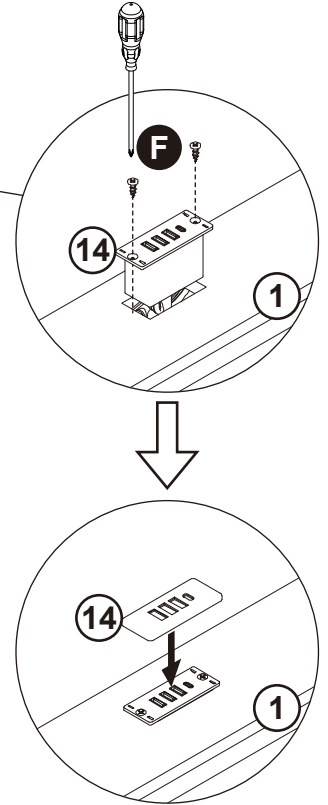
 C x 2

 D x 1

 F x 2



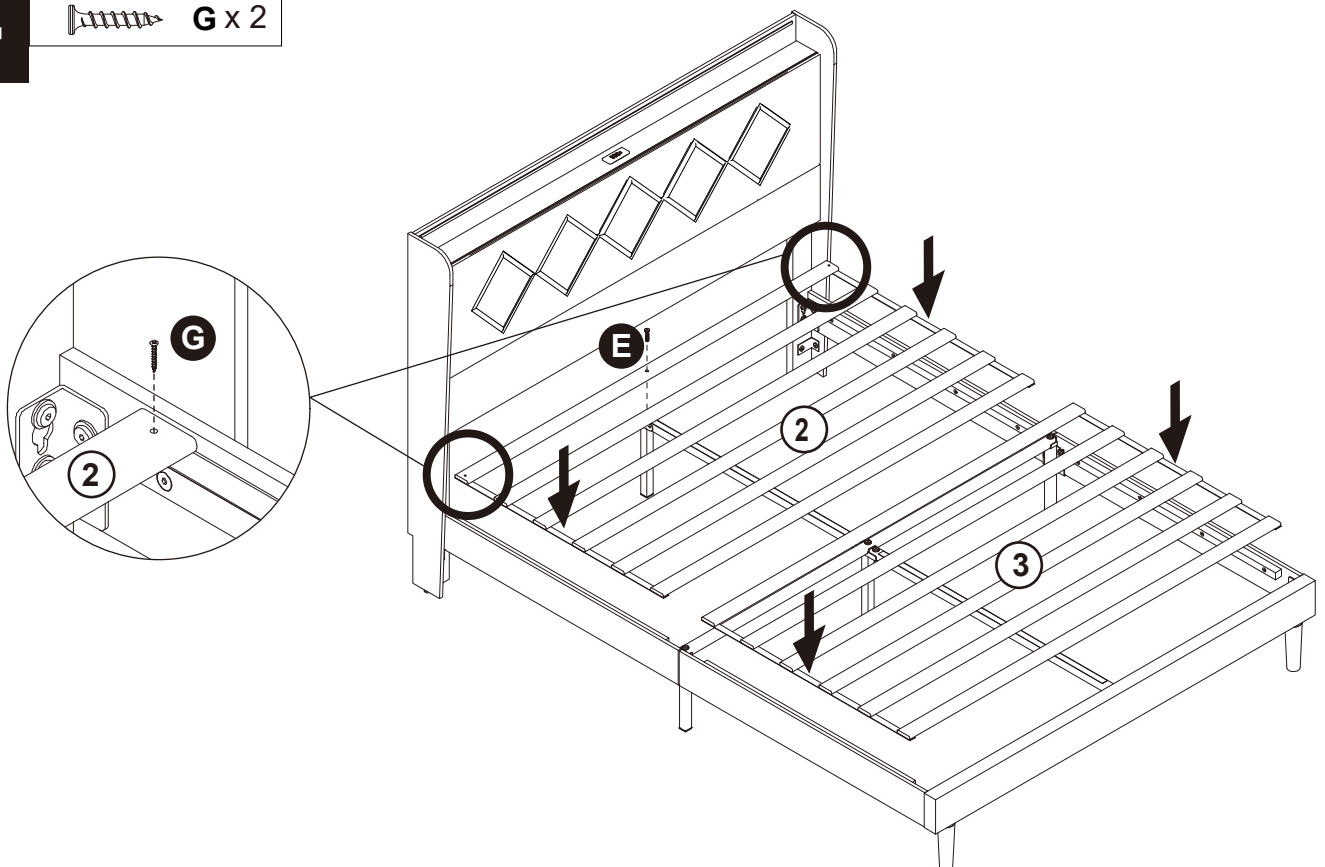
Phillips screwdriver  
Not included



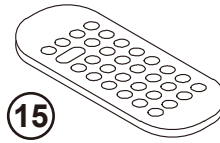
12

 E x 1

 G x 2

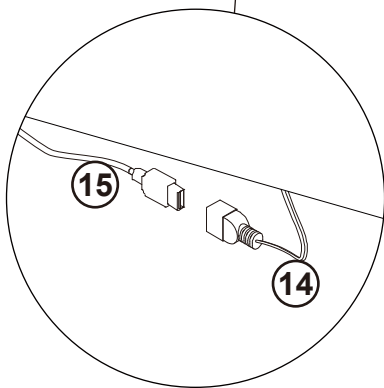
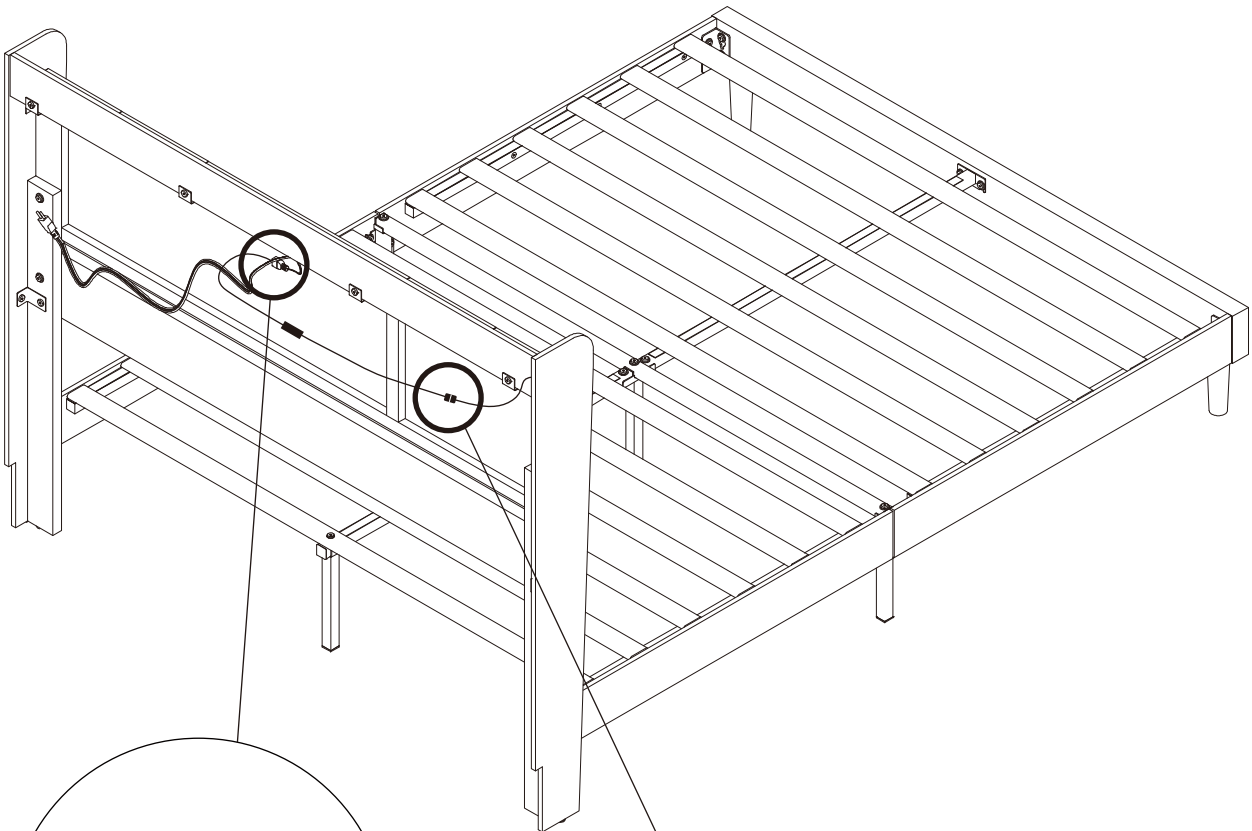


# 13

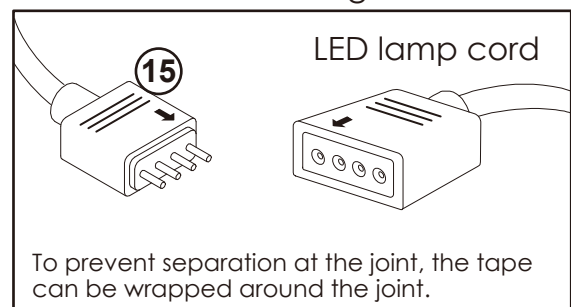


### Remote control

You can use the remote to control the light. The LED lamp can only be used after the power supply is connected.



**NOTE:** The square part of the receiver (15) needs to be exposed to air in order to better control the LED light.



# COMPLETE