

INSTALLATION STEP DIAGRAM

PARTES

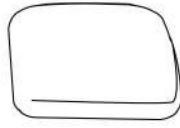
A HEADREST



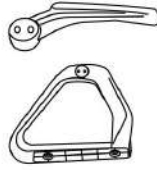
B BACK



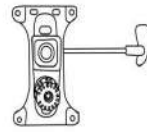
D SEAT



E ARMRESTS



F MECHANISM



G BASE



H GAS LIFT



J CASTER



5pcs

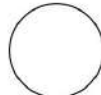
K WRENCH



d SHIM



e DECORATIVE COVER



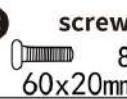
a screw
4pcs
6x40mm



b screw
6pcs
60x20mm

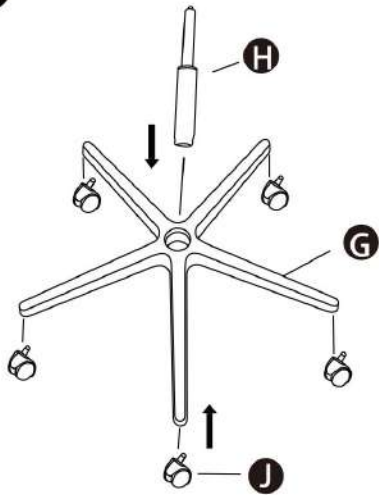


c screw
8pcs
60x20mm

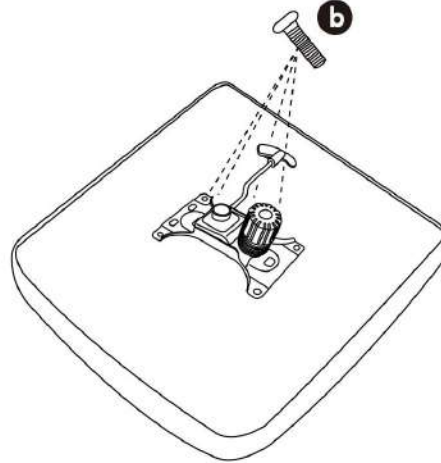


INSTRUCCIONES

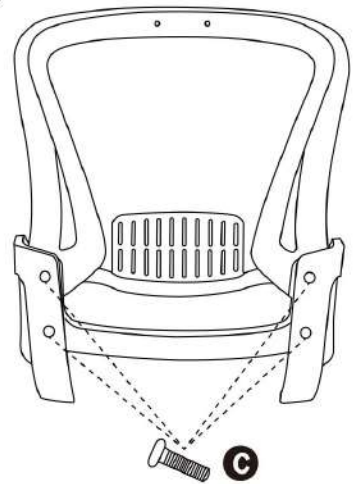
1



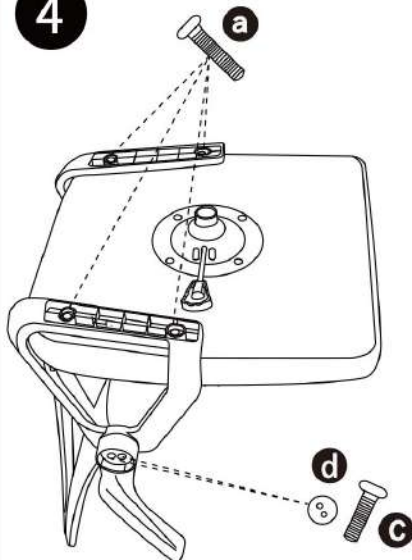
2



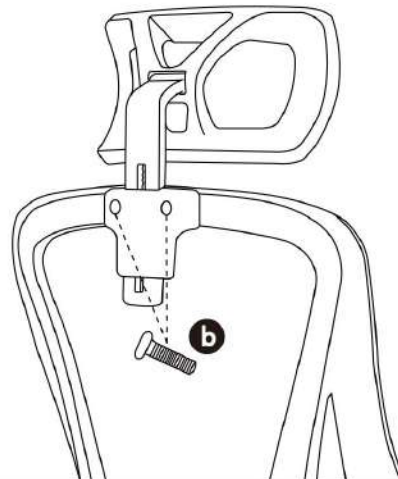
3



4



5



6

