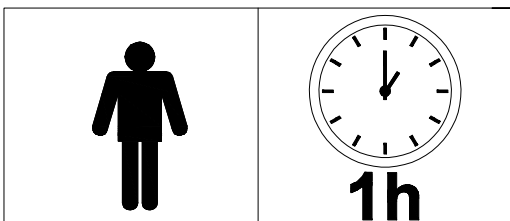
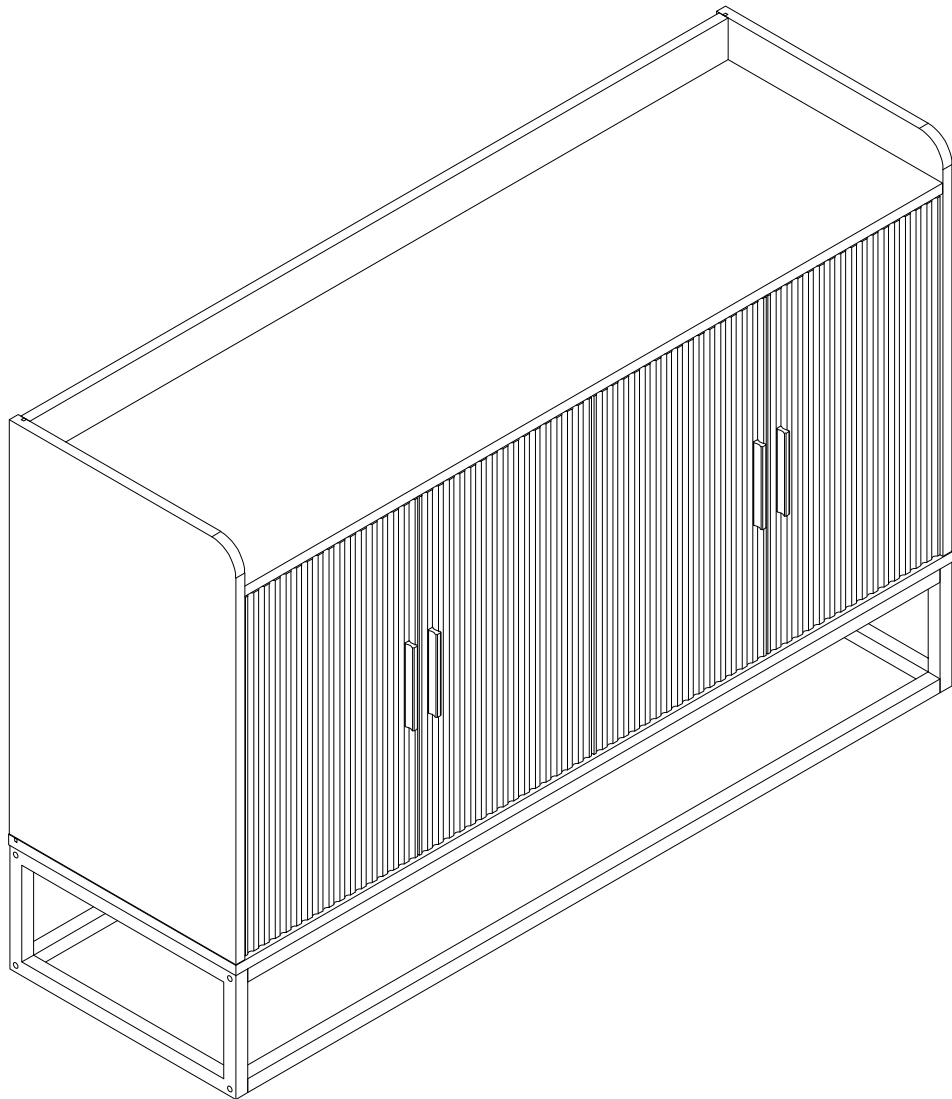


Assembly Instruction

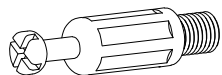
Thank you for choosing our product. This product is designed to be with compact package to save shipping cost. All components and accessories or hardware are separately packed and enclosed within the carton. Please follow with the Manual/Instructions (enclosed within the cartons) step by step to install and assemble. Enjoy!

Wherever you purchased from, if you are happy with our products, your rating, review or feedback would be highly appreciated. In case the carton came with any damages or defectives, please feel free to contact us for free replacement or money refunding.

Thanks again.



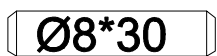
A X 23



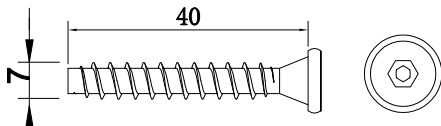
B X 23



C X 20



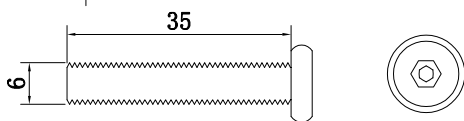
D X 6



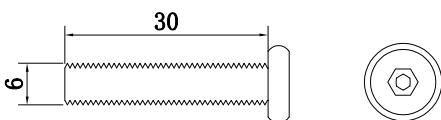
E X 48



F X 6



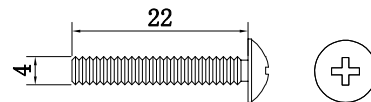
G X 8



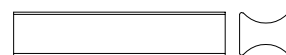
H X 1



I X 8



J X 4



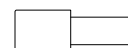
K X 24



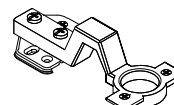
L X 4



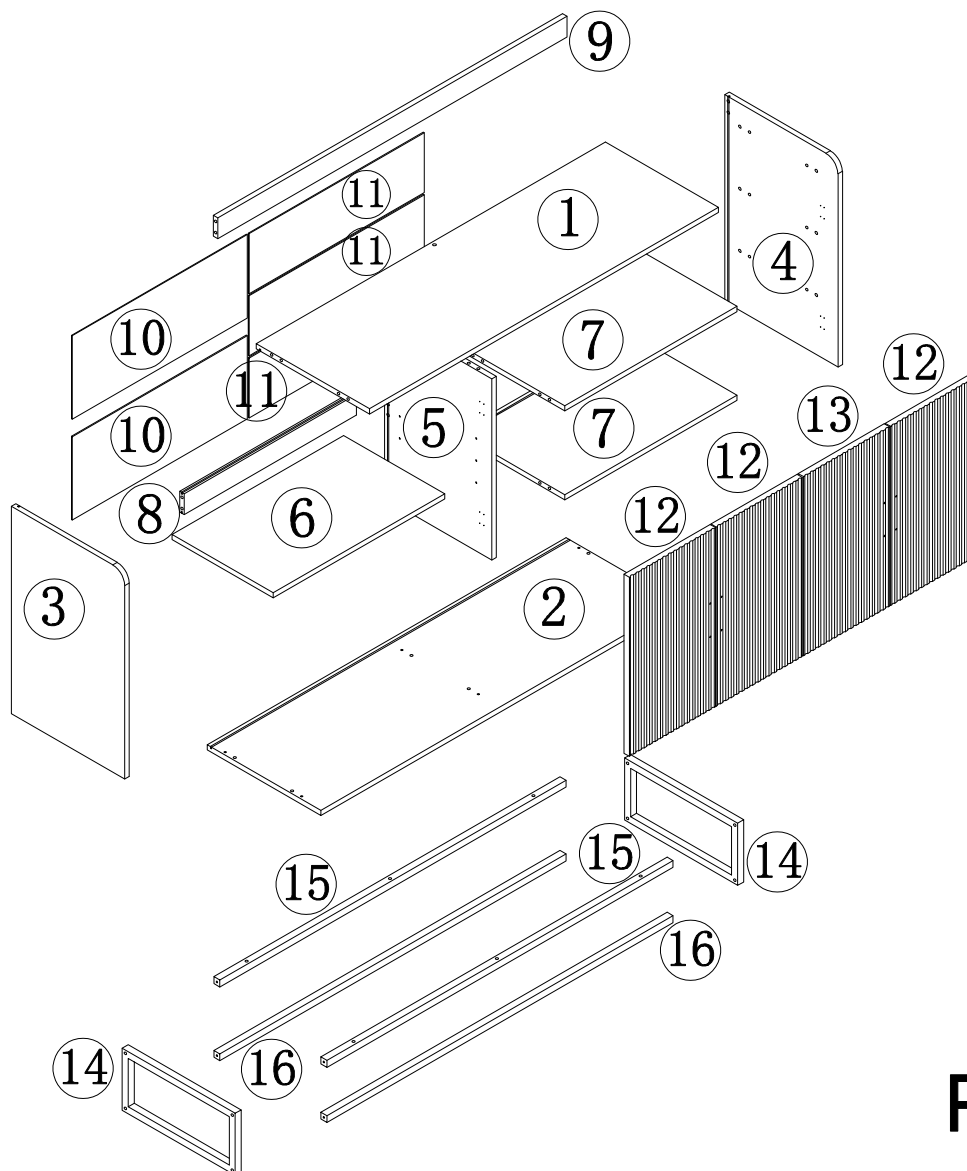
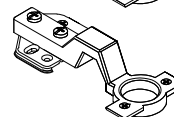
M X 4



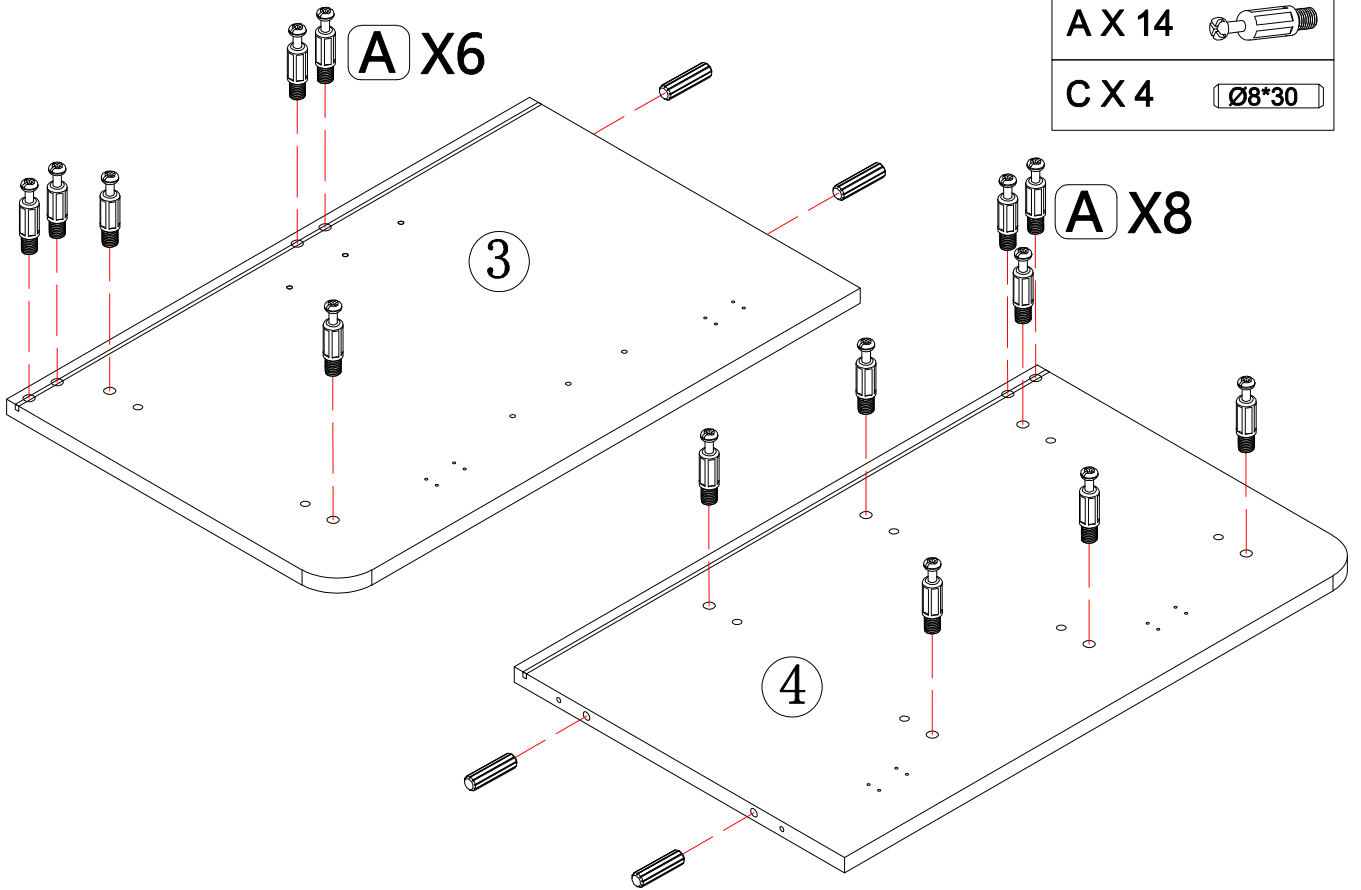
O X 4



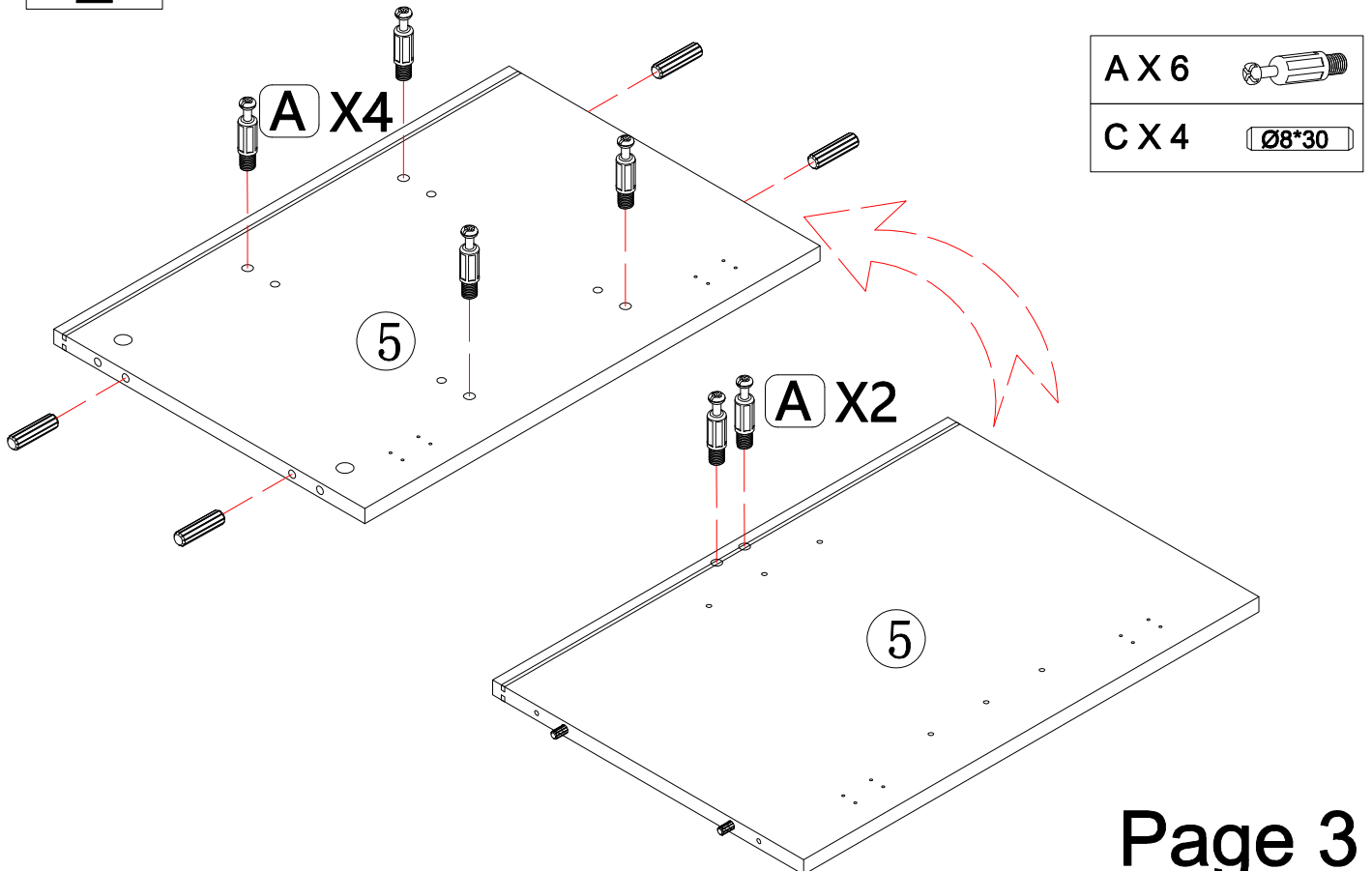
P X 4



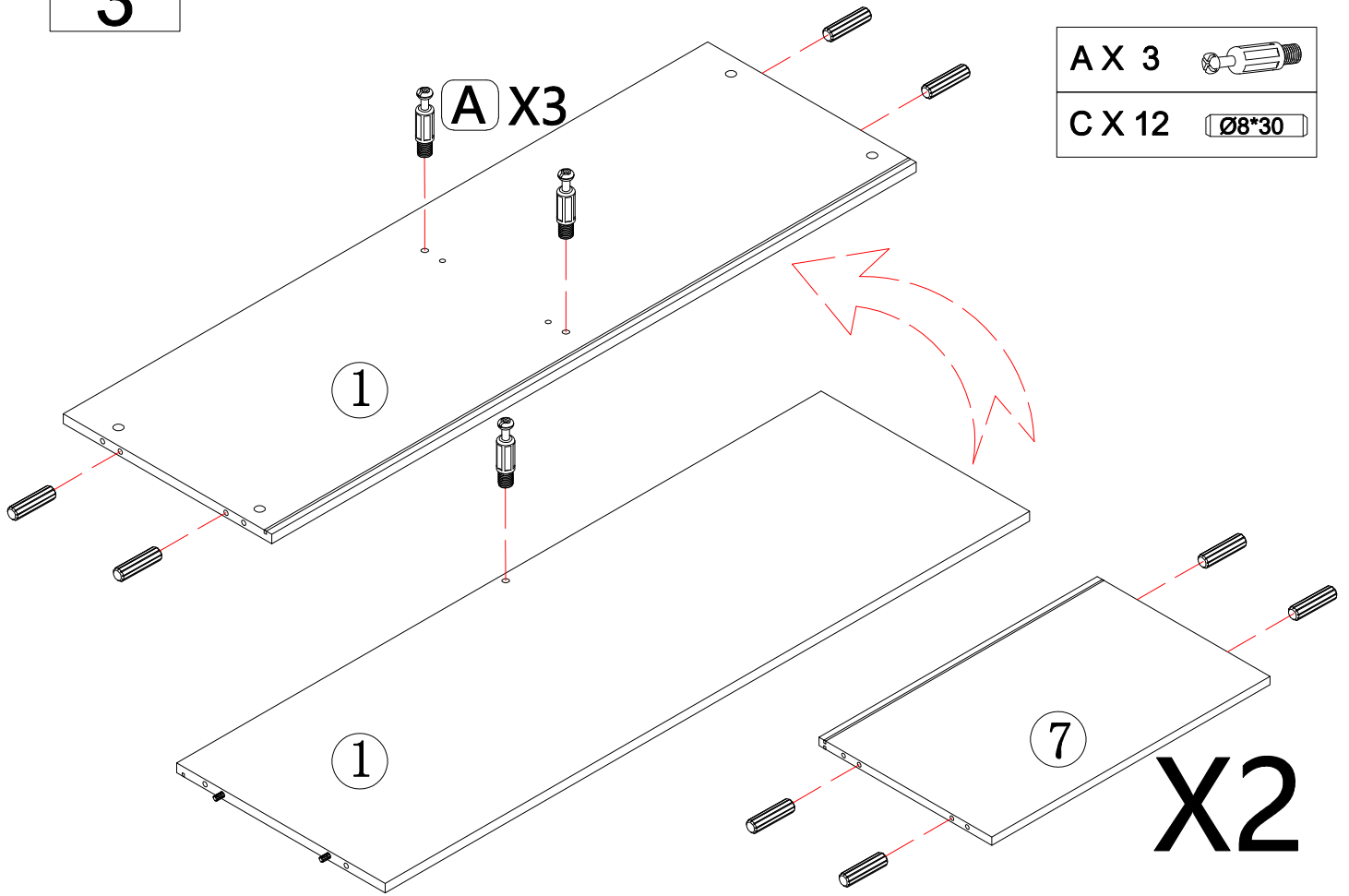
1



2

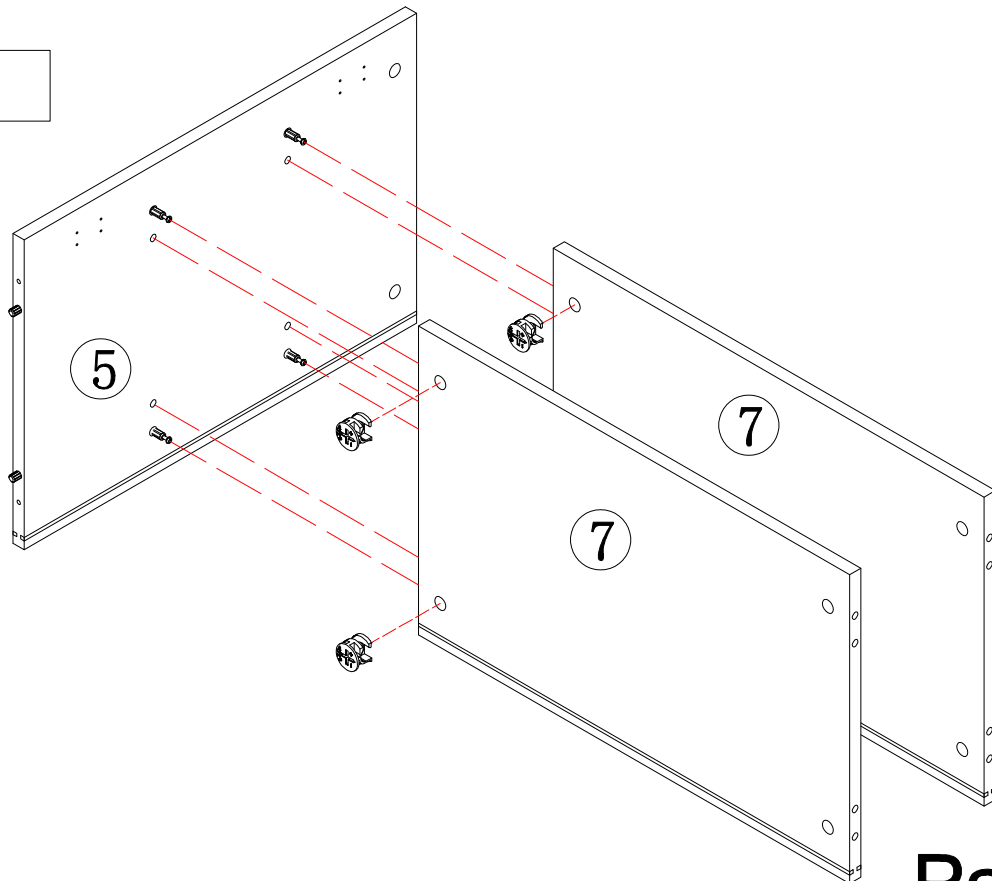


3



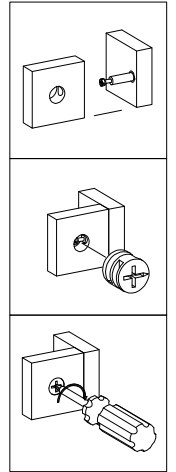
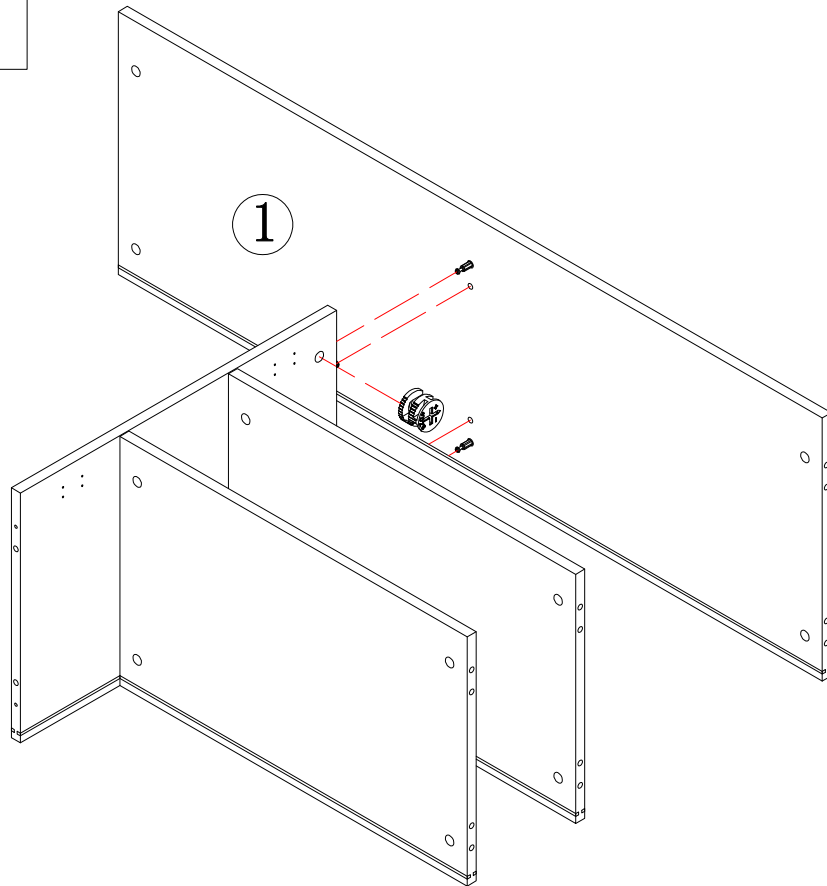
4

BX 4

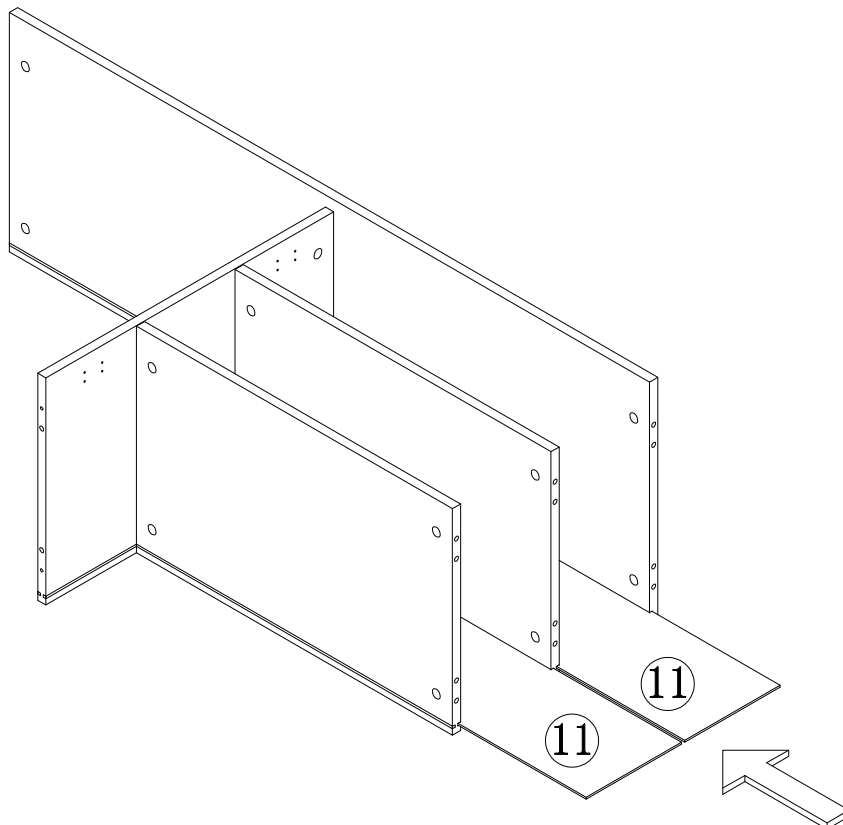


5

B X 2

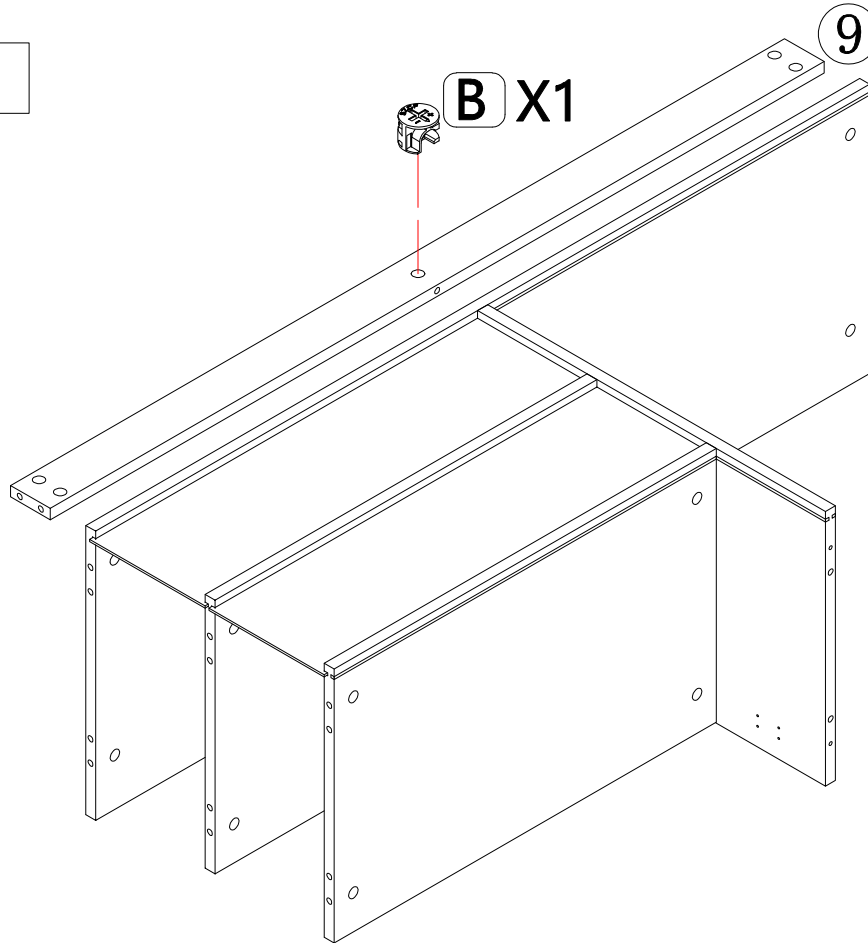


6



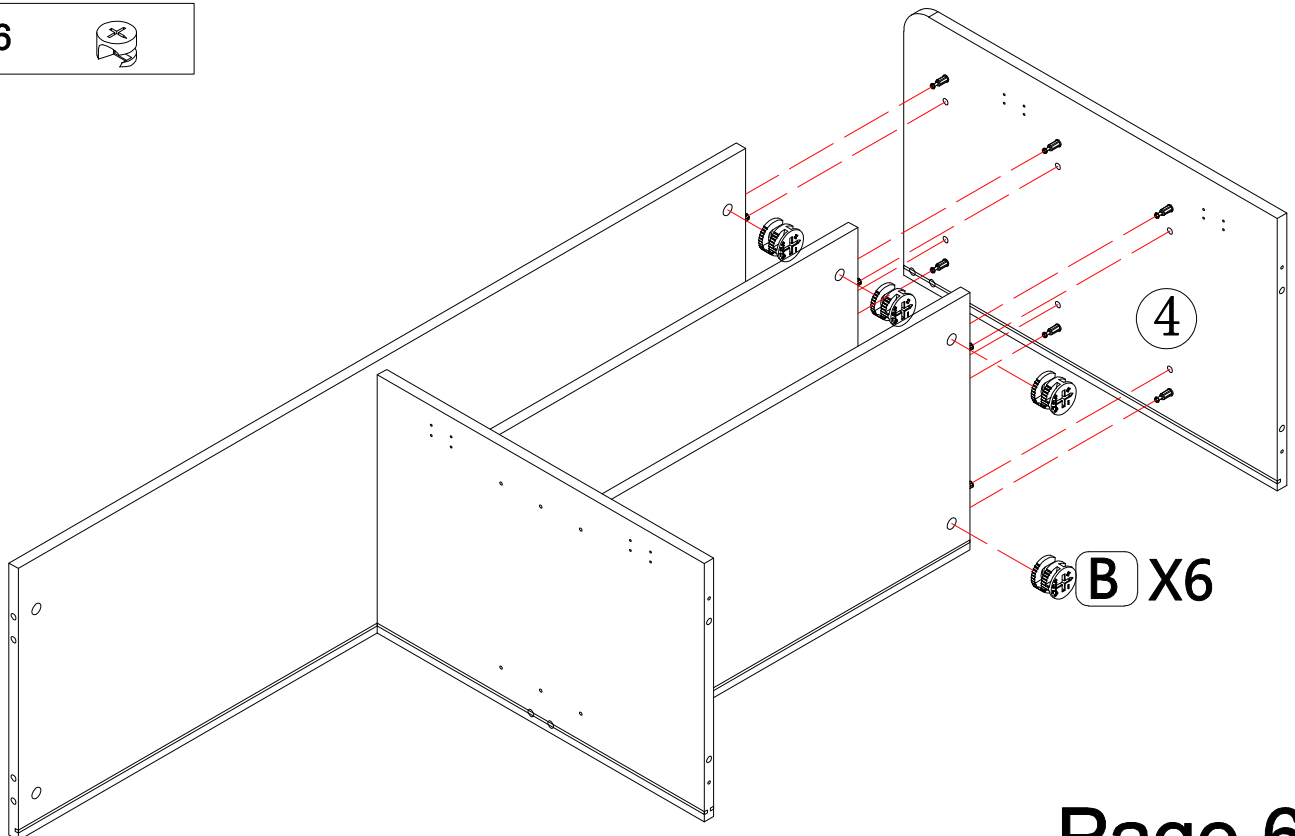
7

B X 1



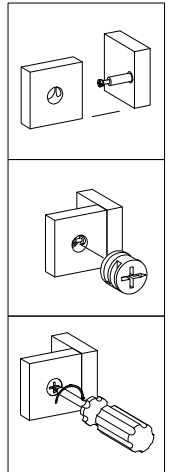
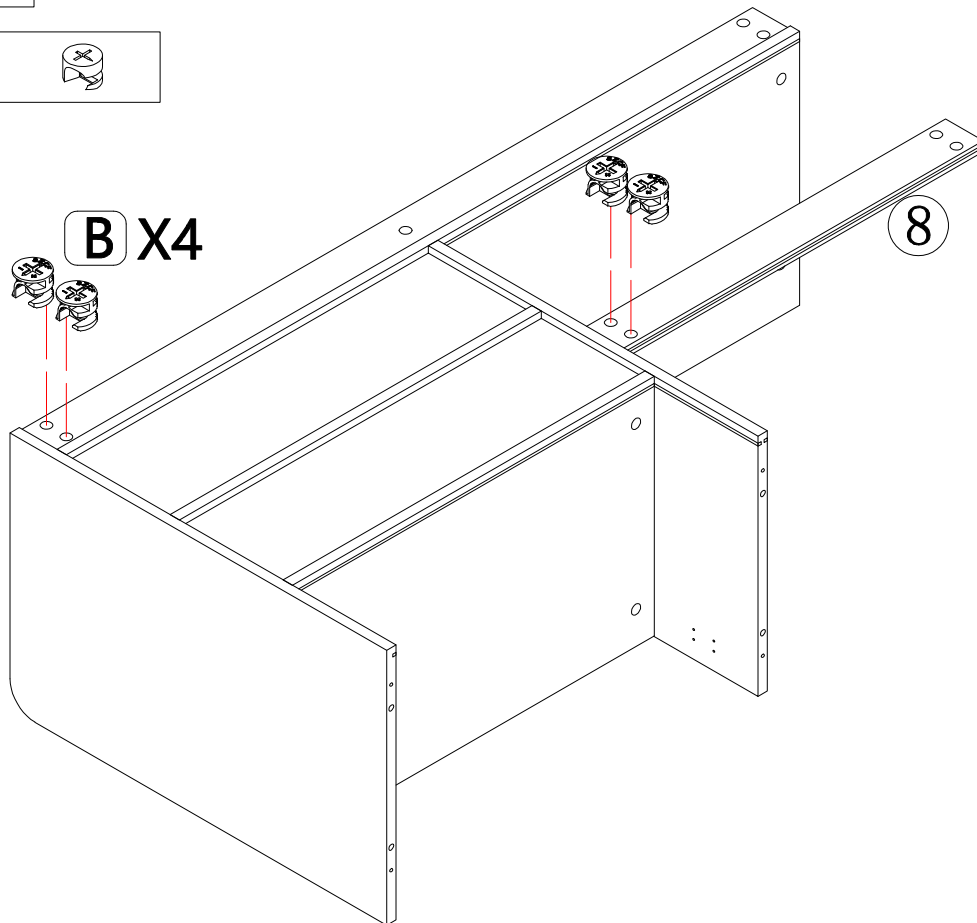
8

B X 6



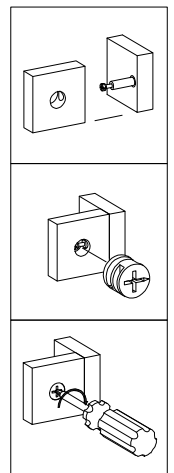
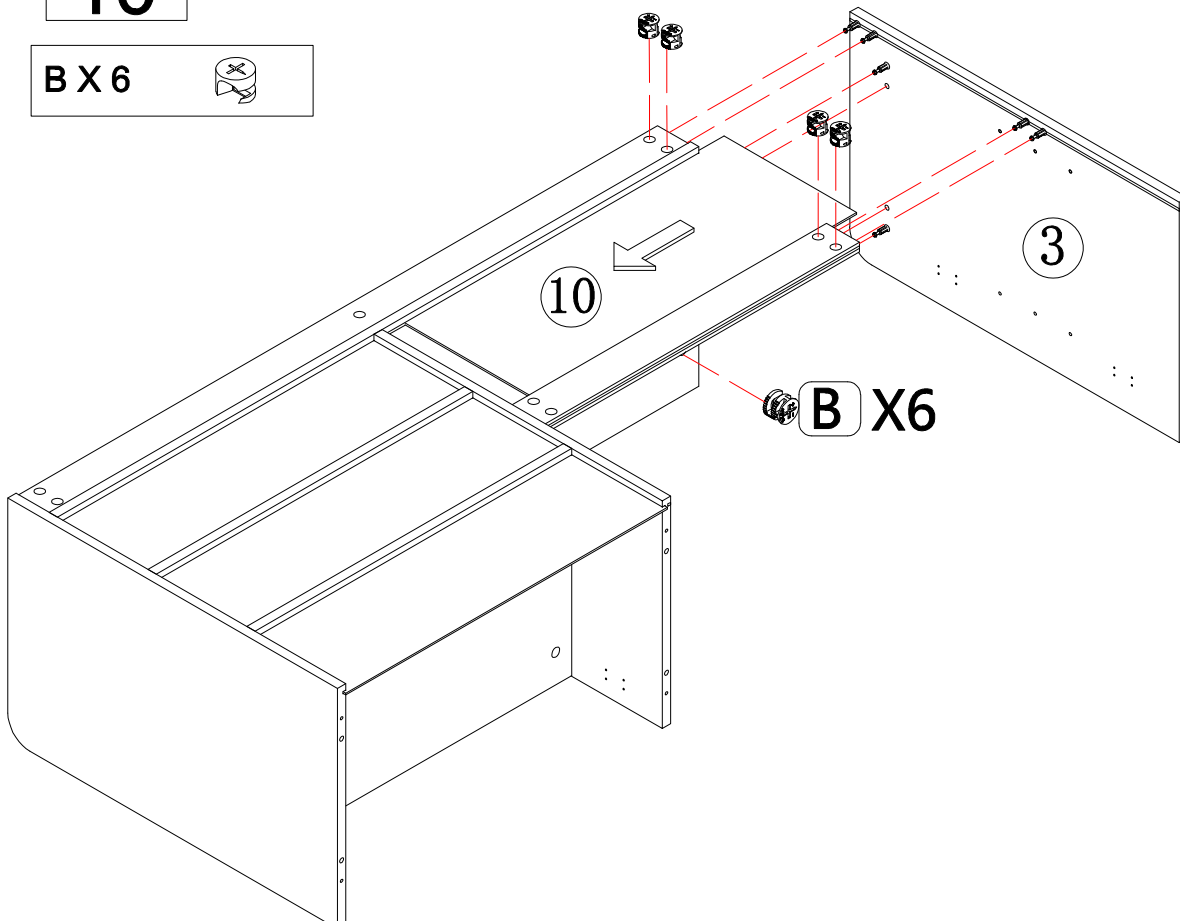
9

B X 4

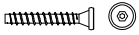



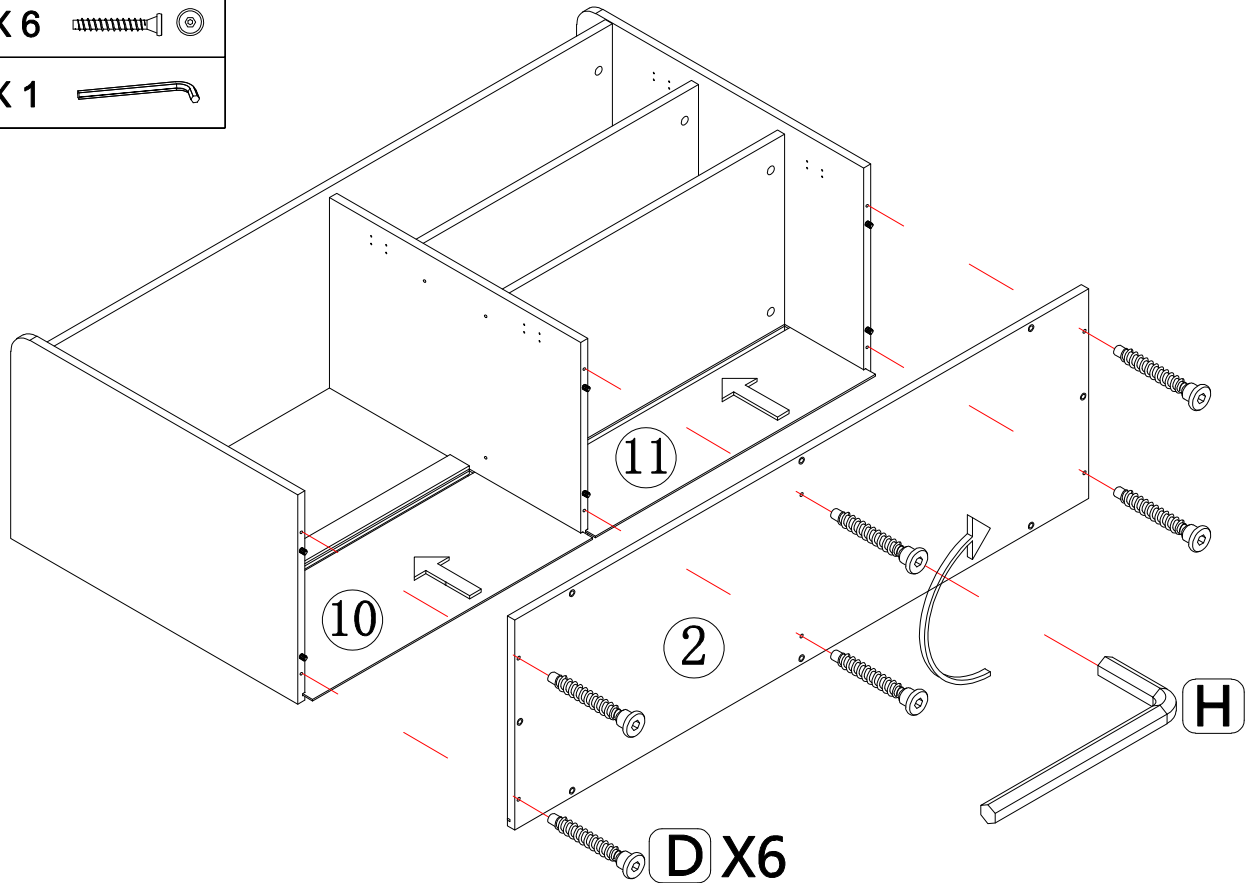
10

B X 6

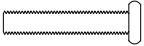



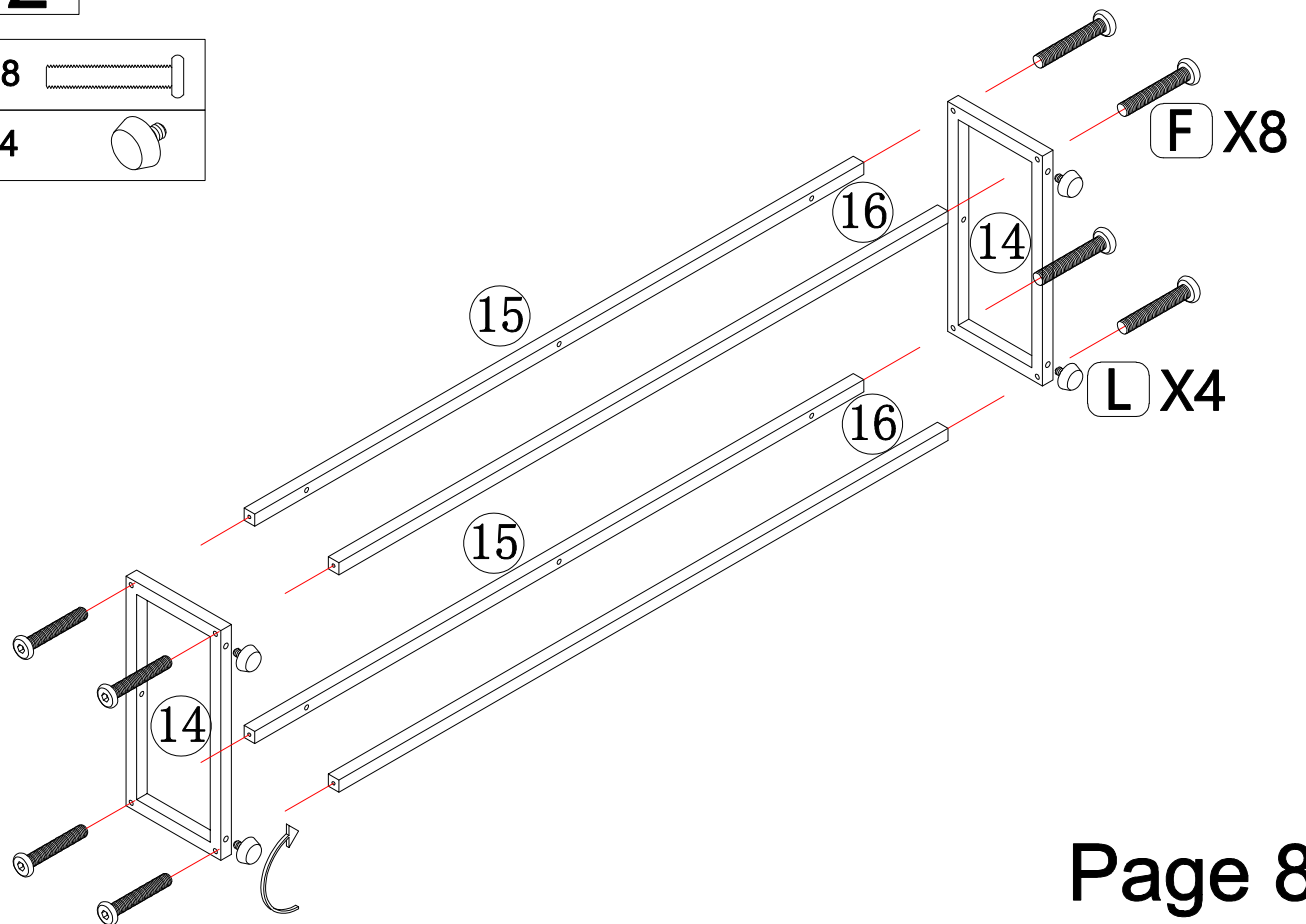
11

- DX6 
- HX1 



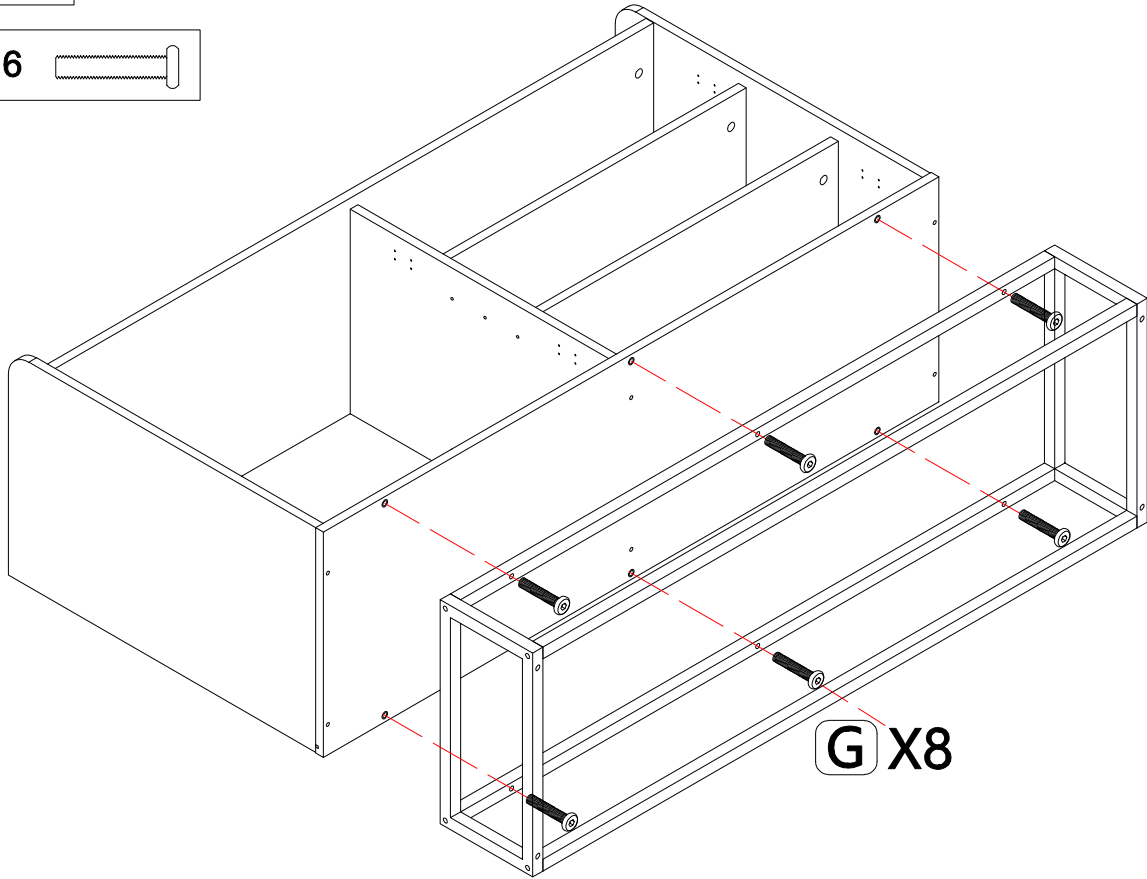
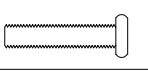
12

- FX8 
- LX4 



13

G X 6



G X 8

14

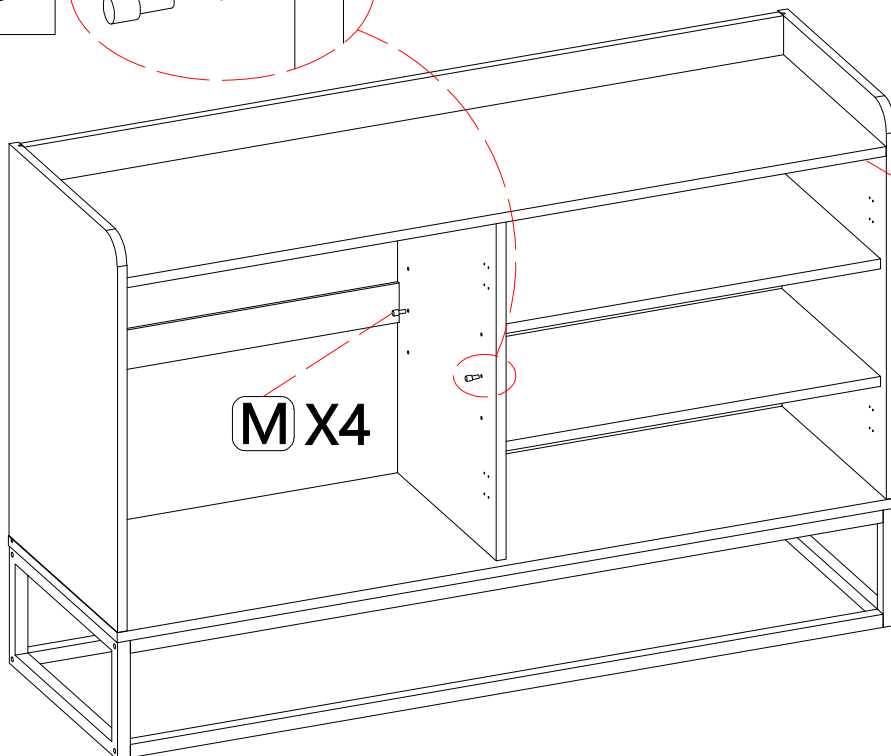
M X 4



K X 23



M



M X 4

15

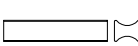
EX 16



IX 8



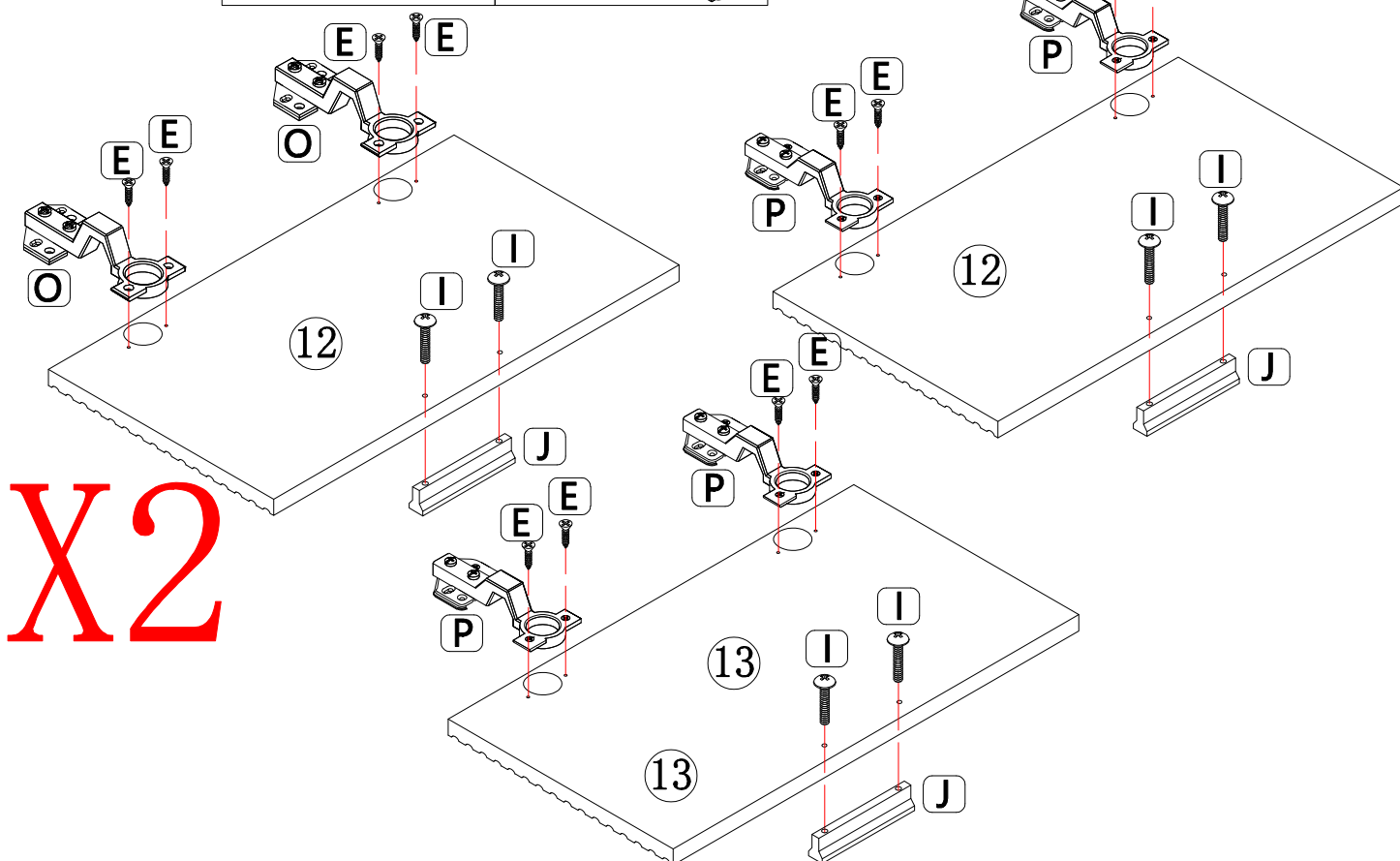
JX 4



OX 4



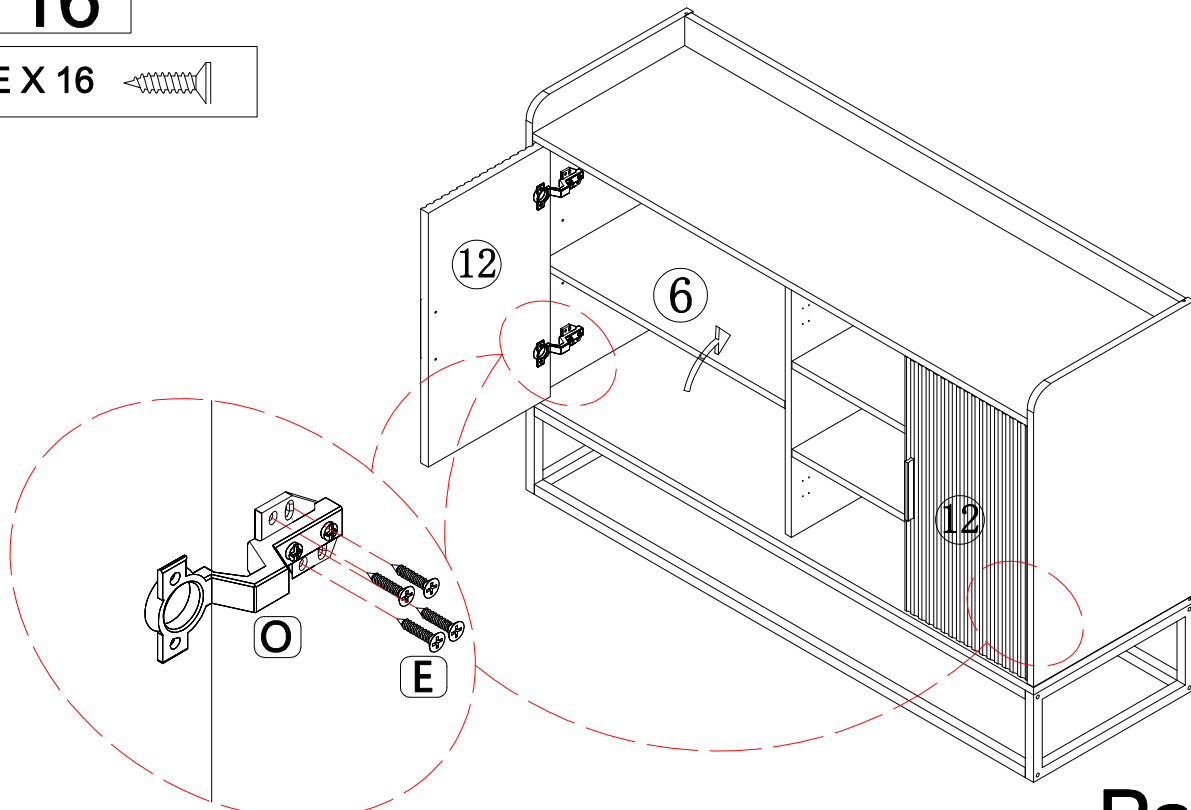
PX 4



X2

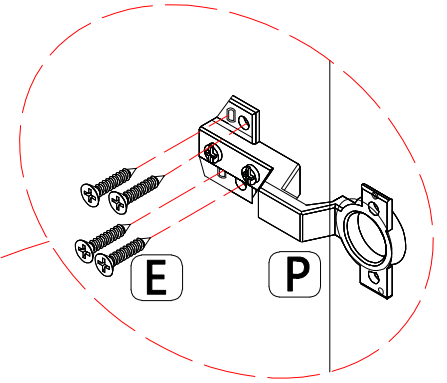
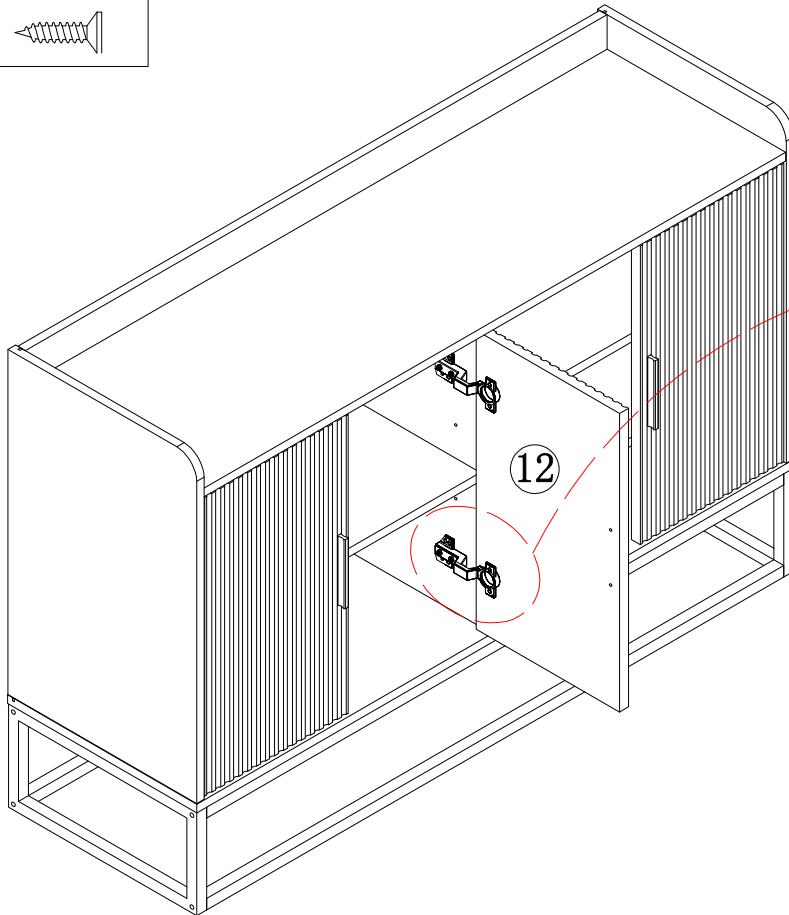
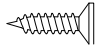
16

EX 16



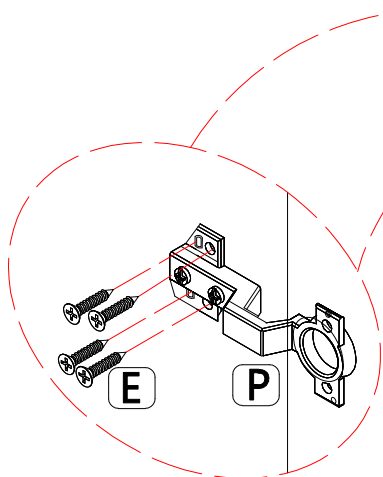
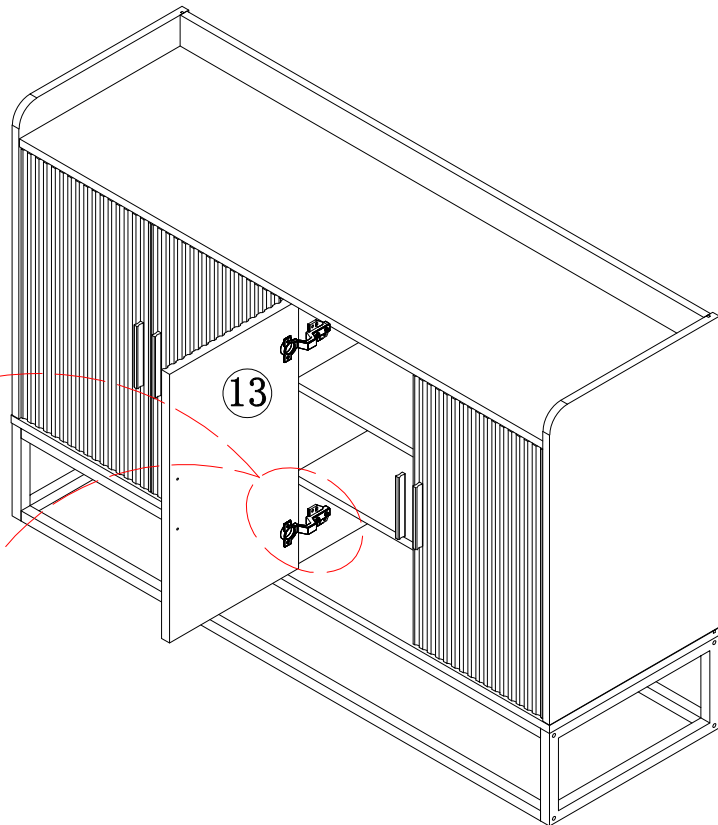
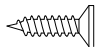
17

EX 8



18

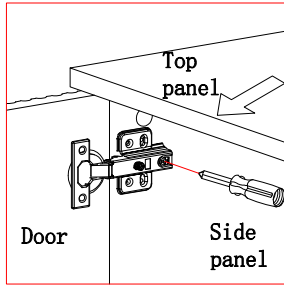
EX 8



TO ADJUST YOUR DOORS TO MAKE THE GAPS MORE EVEN (OPTIONAL).

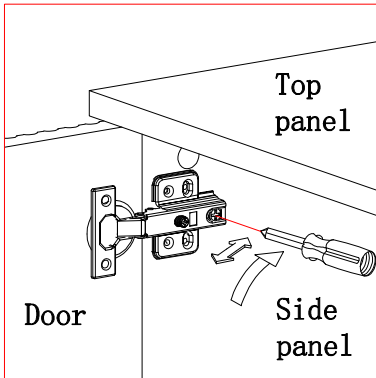
STEP 1

Open the door.



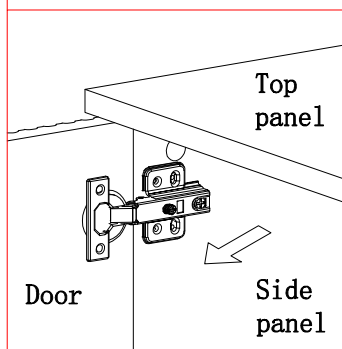
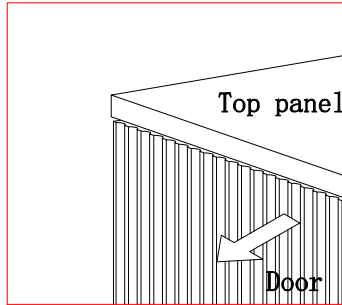
STEP 2

Adjust the door panel to be flush with side panel and top panel edge.



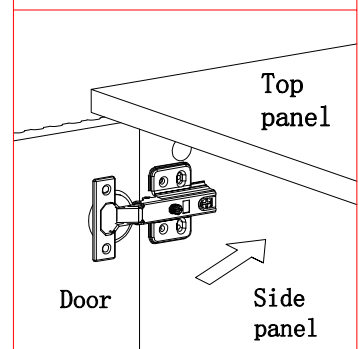
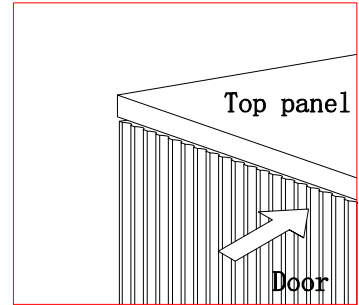
Loosen the screw indicated a little, adjust the hinge to right position (see step 2a & 2b), then tighten the screw.

STEP 2a MOVE DOOR OUT



Pull the hinge forward a little.

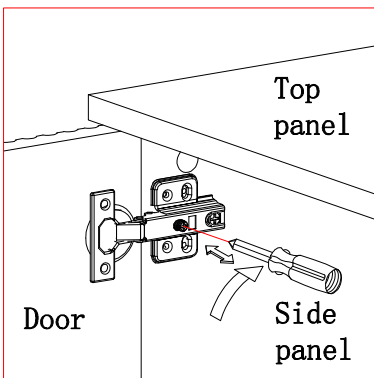
STEP 2a MOVE DOOR OUT



Pull the hinge forward a little.

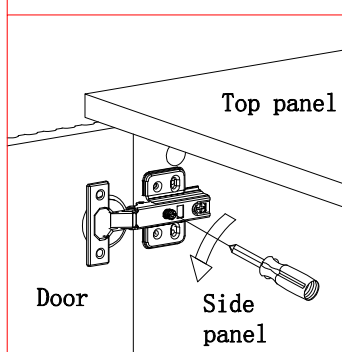
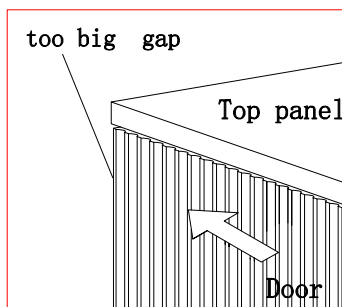
STEP 3

Adjust the gap between door panel and side panel.



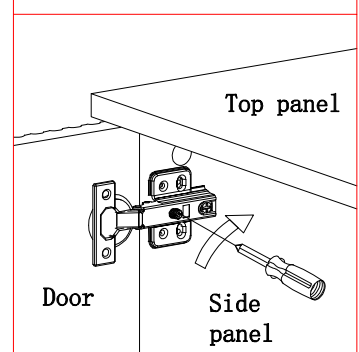
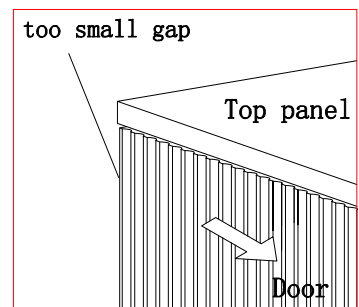
Loosen or tighten the screw indicated a little to adjust the gap between the door panels, adjust the hinge to right position (see step 3a & 3b).

STEP 3a MOVE DOOR LEFT



Turn the screw clockwise a little as shown to make the gap small.

STEP 3b MOVE DOOR RIGHT



Turn the screw counterclockwise a little as shown to make the gap big.