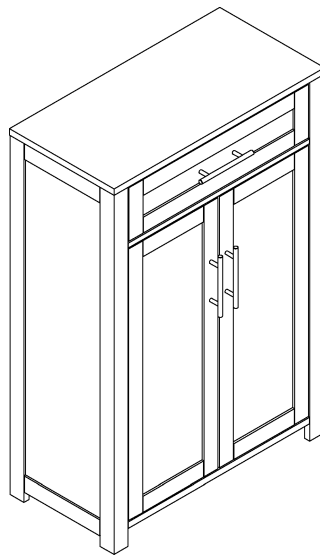
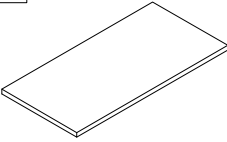
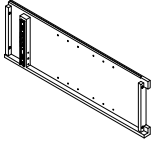
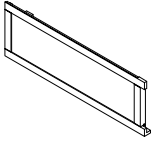
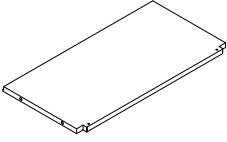
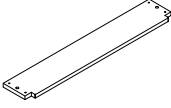
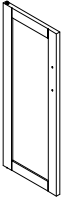
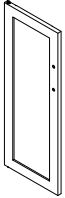
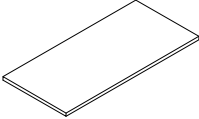
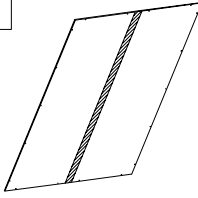
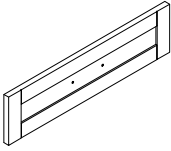

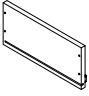
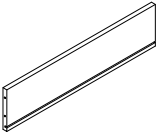
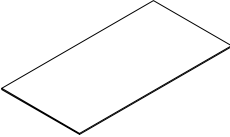


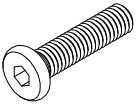
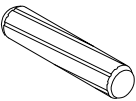
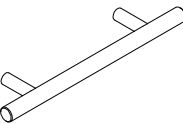

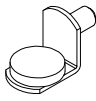
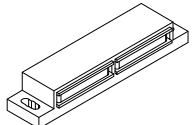
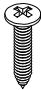
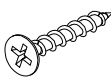

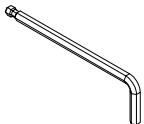

Short Pantry



PART LIST

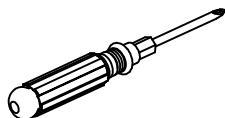
<p>A</p> 	<p>B</p> 	<p>C</p> 	<p>D</p> 	<p>E</p> 
<p>Top Panel 1 PC</p>	<p>Left Panel 1 PC</p>	<p>Right Panel 1 PC</p>	<p>Bottom Panel 1 PC</p>	<p>Front Rail 1 PC</p>
<p>F</p> 	<p>G</p> 	<p>H</p> 	<p>I</p> 	<p>J</p> 
<p>Left Door 1 PC</p>	<p>Right Door 1 PC</p>	<p>Adjustable Shelf 2 PCS</p>	<p>Back Panel 1 PC</p>	<p>Drawer Front Panel 1 PC</p>
<p>K</p> 	<p>L</p> 	<p>M</p> 	<p>N</p> 	
<p>Drawer Left Panel 1 PC</p>	<p>Drawer Right Panel 1 PC</p>	<p>Drawer Back Panel 1 PC</p>	<p>Drawer Bottom Panel 1 PC</p>	

HARDWARE LIST

<p>#1</p>  <p>Ø$\frac{1}{4}$" x 1"</p>	<p>#2</p>  <p>Ø8 x 30mm</p>	<p>#3</p> 	<p>#4</p>  <p>Ø4 x 22mm</p>	<p>#5</p> 
<p>Long Bolt 8 PCS (Extra 1)</p>	<p>Wood Dowel 8 PCS (Extra 1)</p>	<p>Handle 3 PCS</p>	<p>Short Bolt 6 PCS (Extra 1)</p>	<p>Shelf Holder 8 PCS (Extra 1)</p>
<p>#6</p> 	<p>#7</p>  <p>Ø3 x 15mm</p>	<p>#8</p> 	<p>#9</p> 	<p>#10</p> 
<p>Double Magnet 1 PC</p>	<p>Screw 2 PCS</p>	<p>Long Screw 12 PCS (Extra 1)</p>	<p>Short Screw 18 PCS (Extra 2)</p>	<p>Allen Wrench 1 PC</p>
<p>#11</p>  <p>Safety Strap Kit 1 SET</p>				

ADDITIONAL TOOLS (Not Provided)

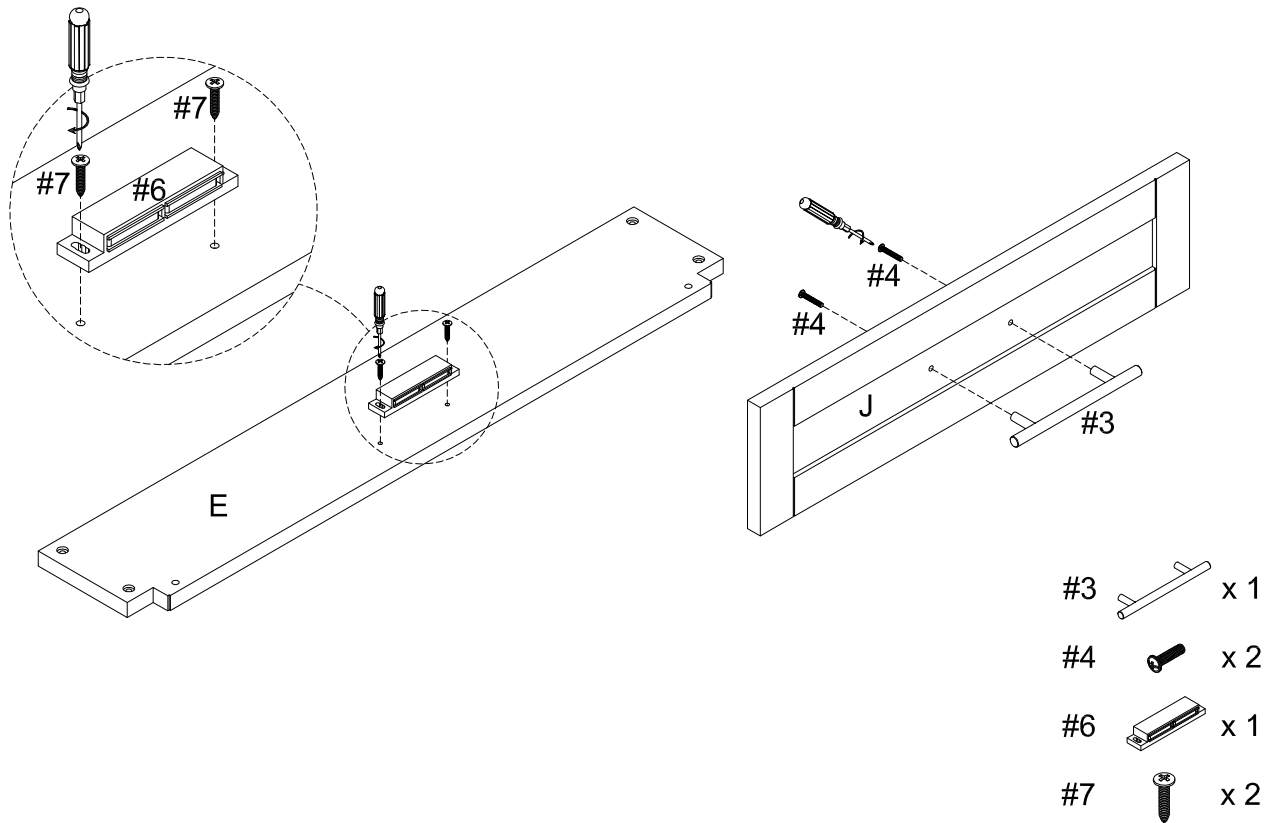
Note: It is not recommended to use power tools during assembly.



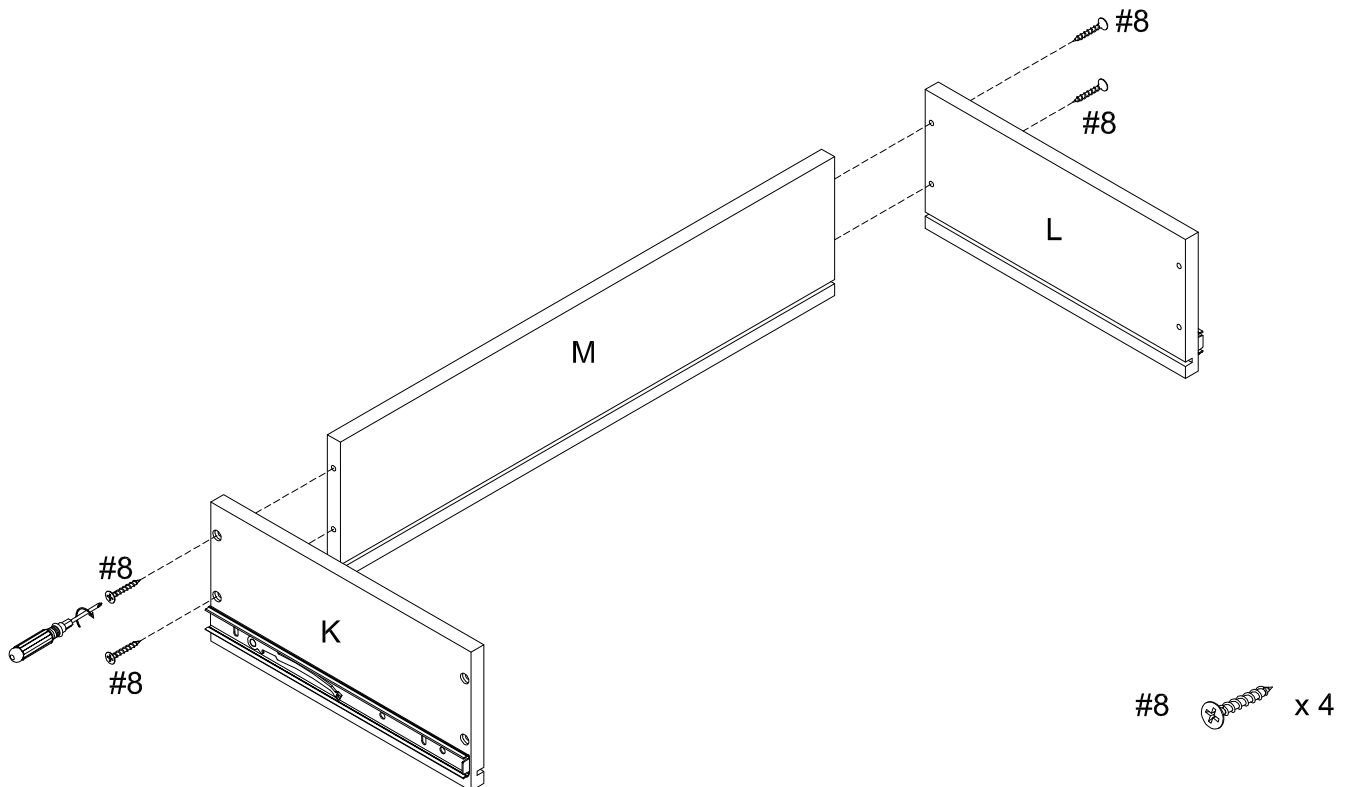
Phillips Head Screwdriver

Note: Wood dowels are intended for alignment. Additional clearance between wood dowel and pre-drilled hole is intentional for ease of assembly.

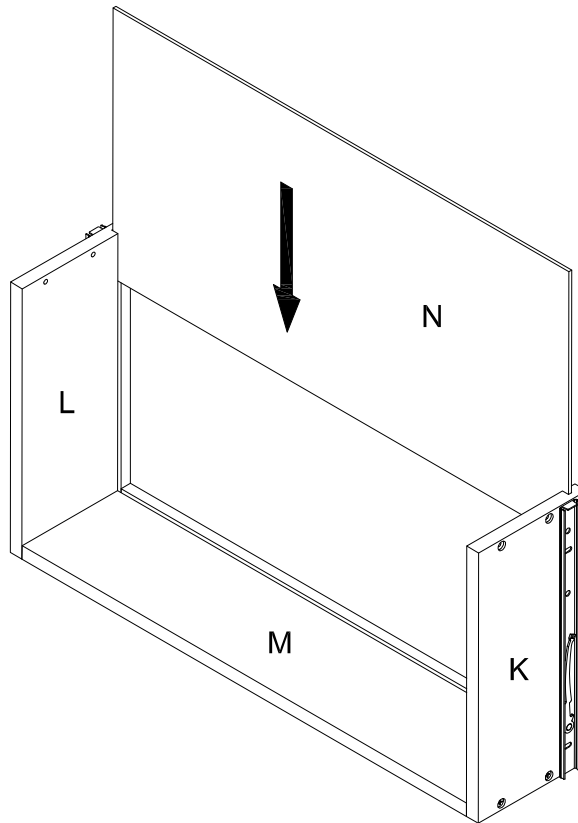
Step 1. Attach double magnet (part #6) to front rail (part E) using screws (part #7) and phillips head screwdriver. Attach handle (part #3) to drawer front panel (part J) using short bolts (part #4) and phillips head screwdriver.



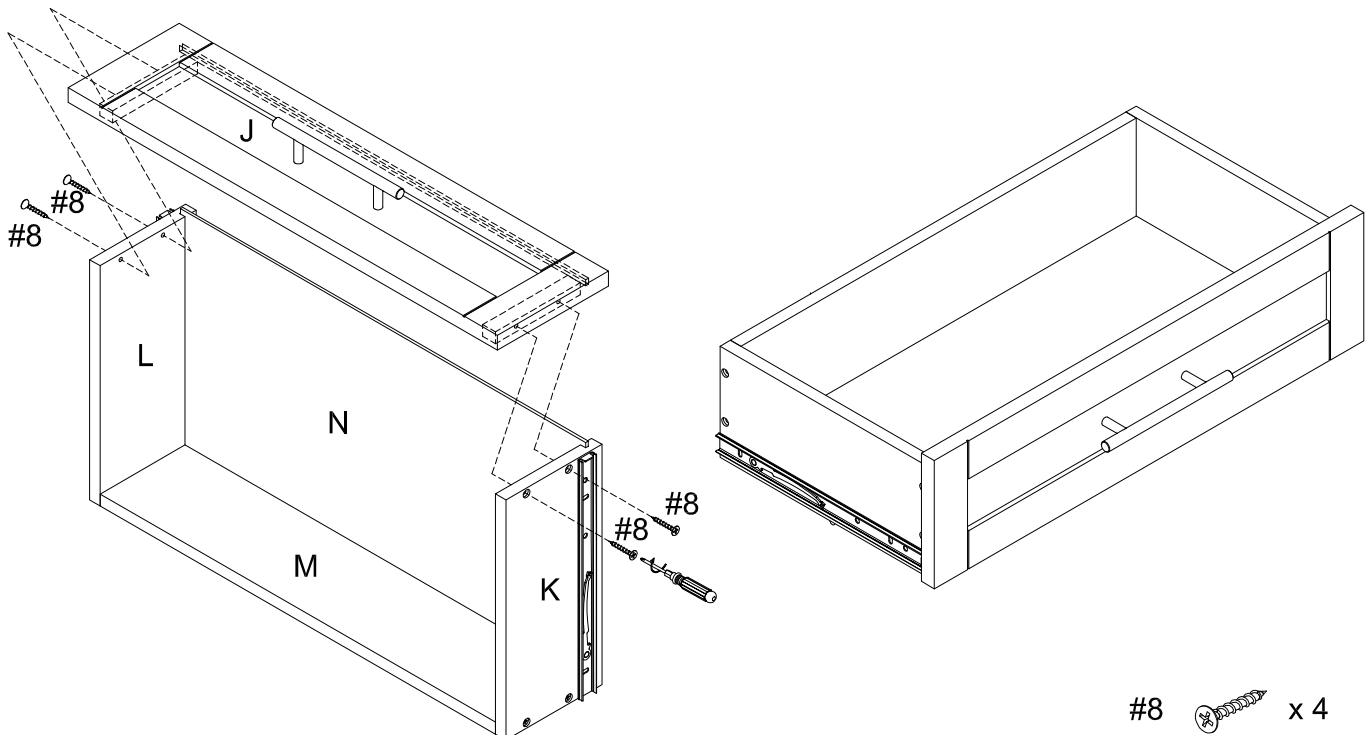
Step 2. Attach drawer panels (parts K & L) to drawer back panel (part M) using long screws (part #8) and phillips head screwdriver.



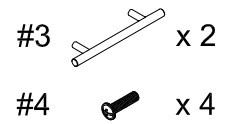
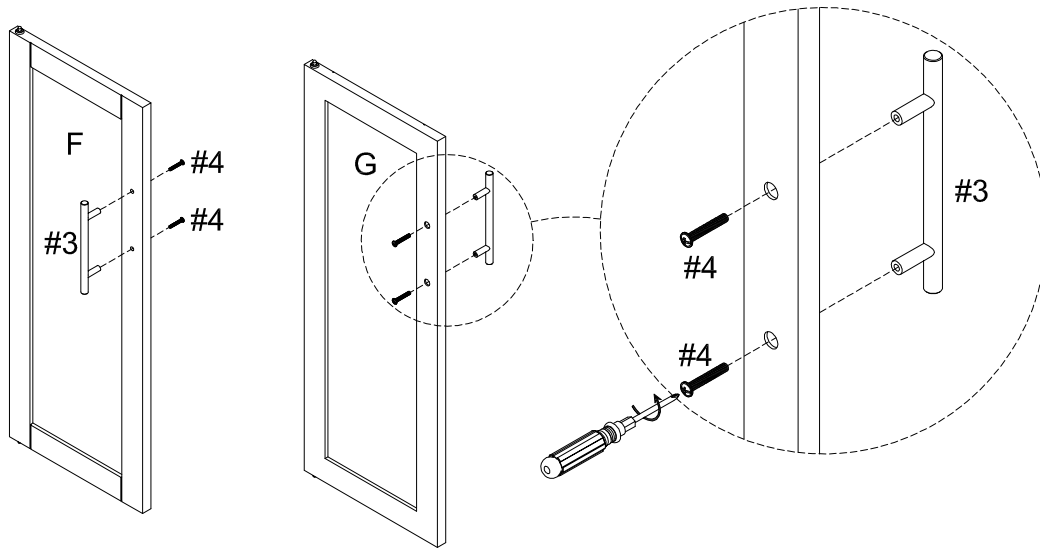
Step 3. Slide drawer bottom panel (part N) into grooves of assembled unit (parts K, L & M).



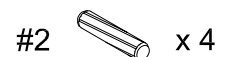
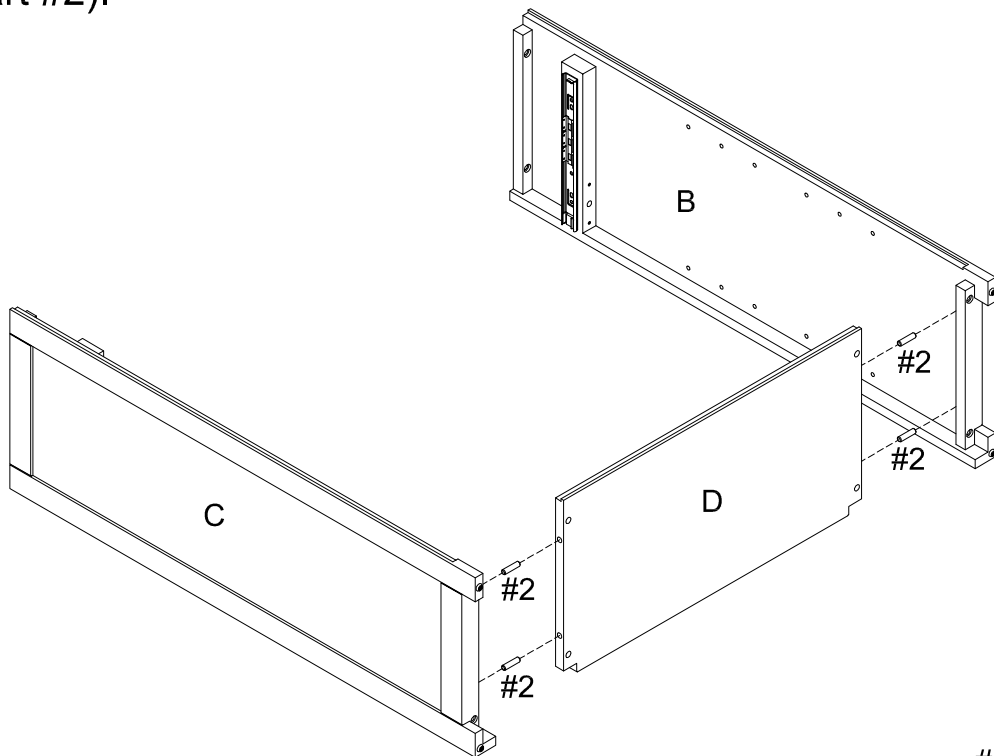
Step 4. Attach drawer front panel (part J) to assembled unit (parts K, L & N) using long screws (part #8) and phillips head screwdriver.



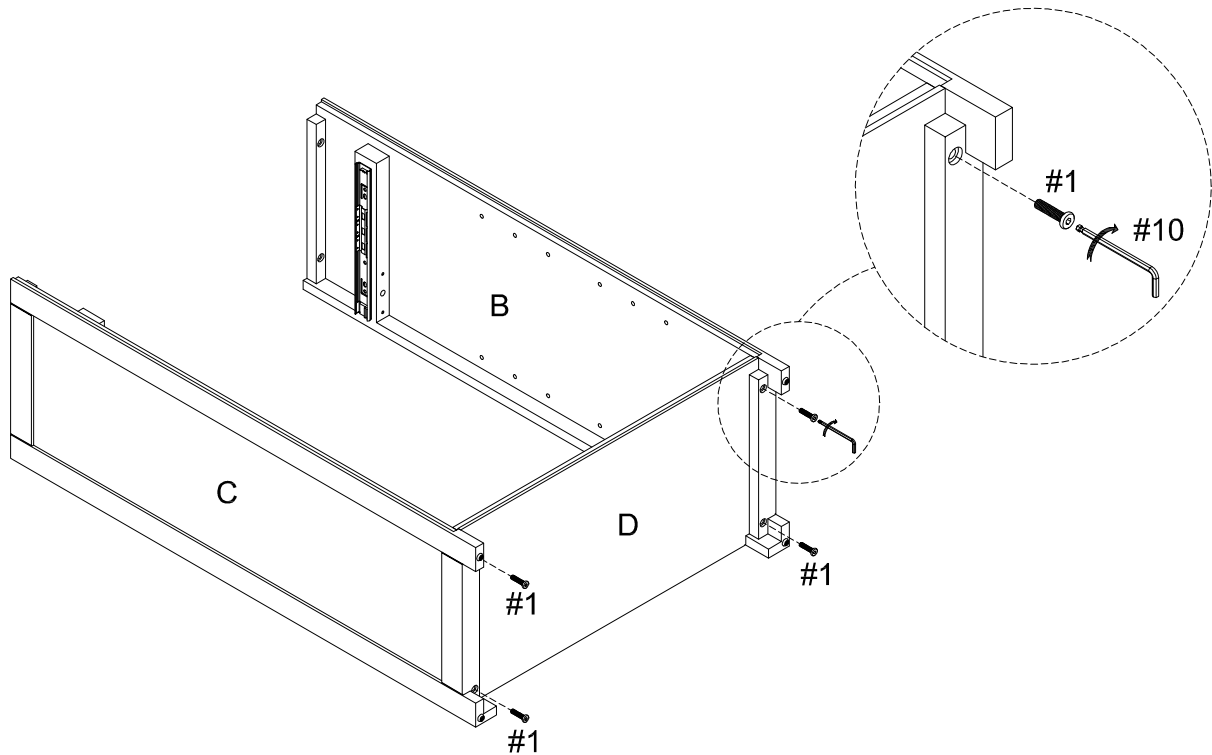
Step 5. Attach handles (part #3) to doors (parts F & G) using short bolts (part #4) and phillips head screwdriver.

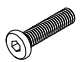



Step 6. Attach panels (parts B & C) to bottom panel (part D) using wood dowels (part #2).

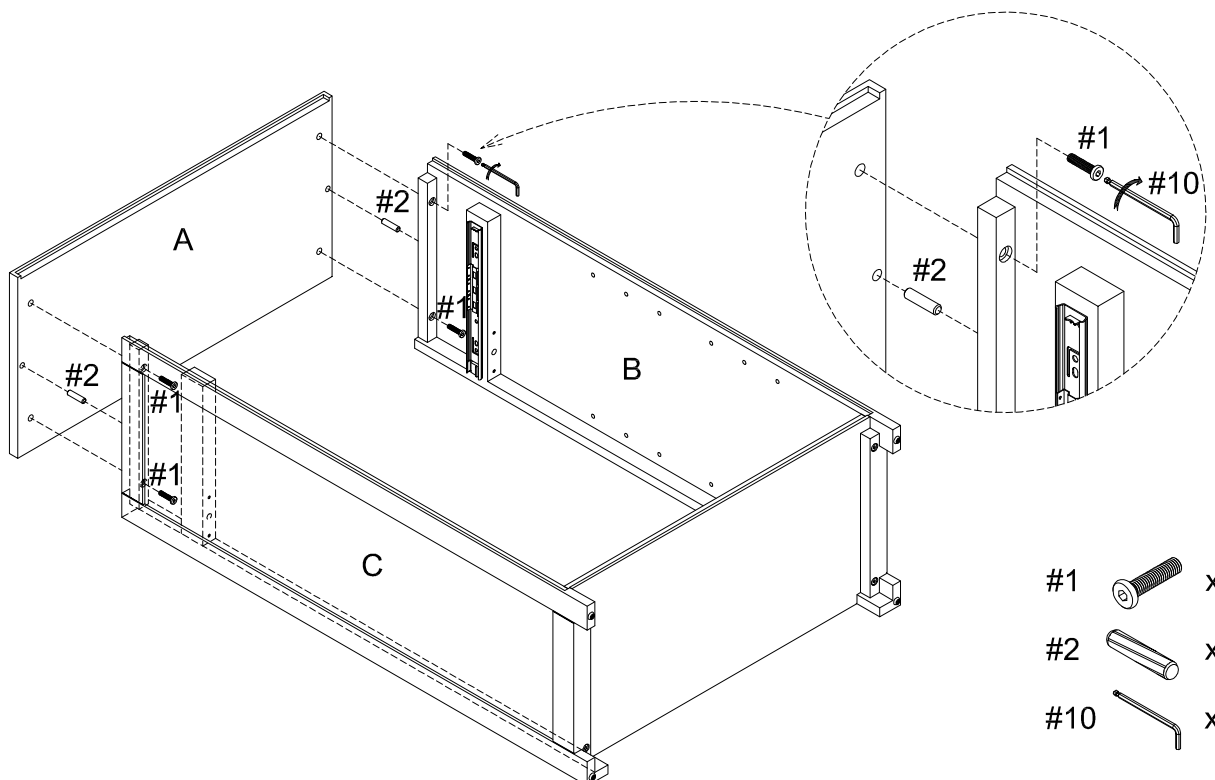


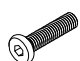
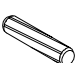

Step 7. Attach long bolts (part #1) to assembled unit (parts B, C & D) using allen wrench (part #10).



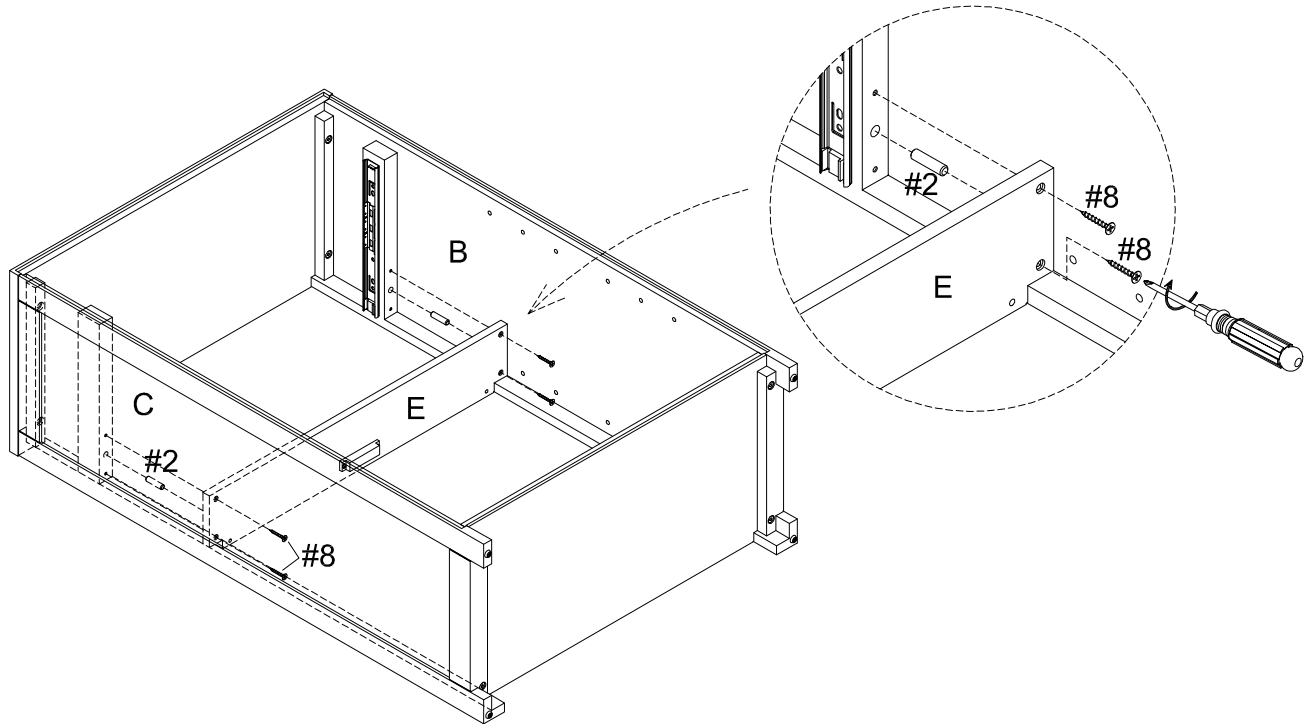
- #1  x 4
- #10  x 1

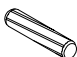

Step 8. Attach top panel (part A) to assembled unit (parts B & C) using wood dowels (part #2), long bolts (part #1) and allen wrench (part #10).



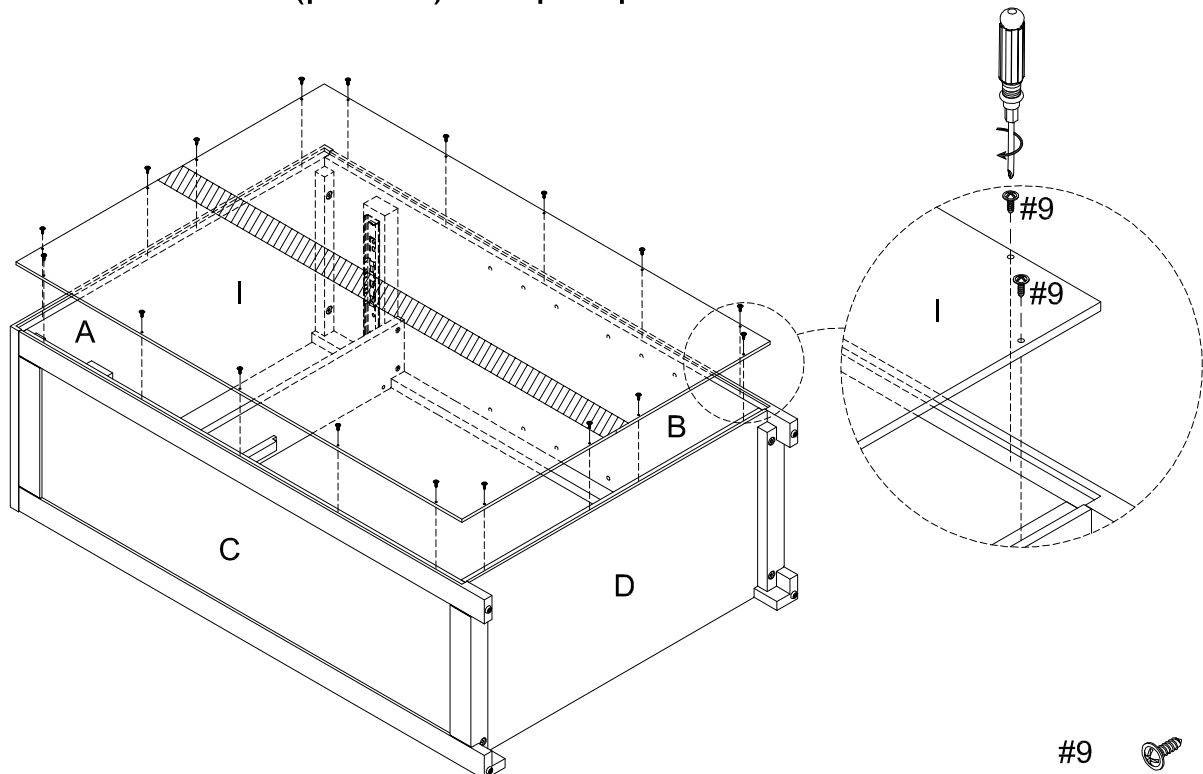
- #1  x 4
- #2  x 2
- #10  x 1

Step 9. Attach front rail (part E) to assembled unit (parts B & C) using wood dowels (part #2), long screws (part #8) and phillips head screwdriver.



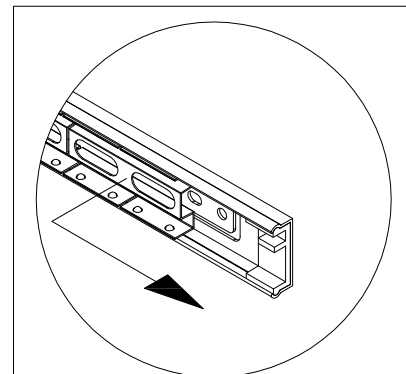
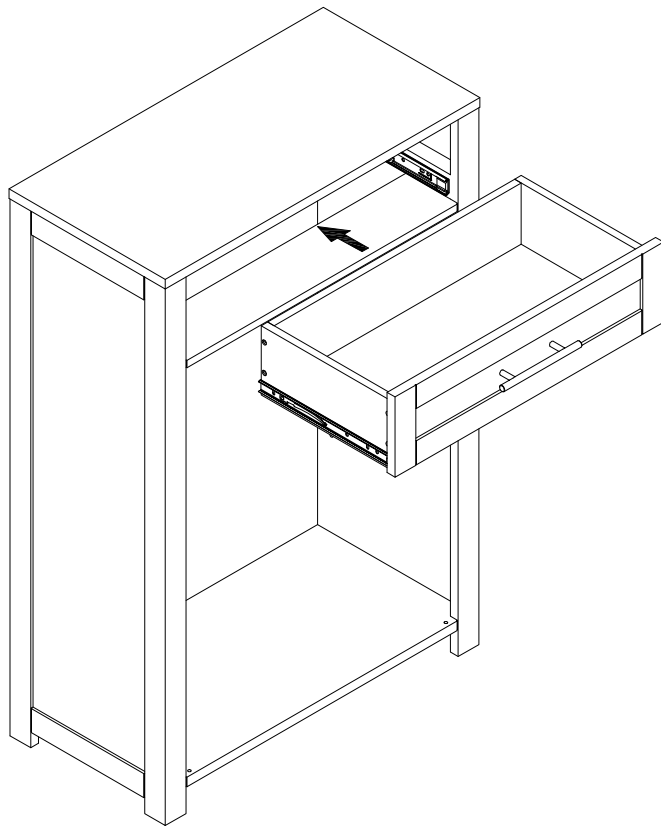
- #2  x 2
- #8  x 4

Step 10. Attach back panel (part I) to assembled unit (parts A, B, C & D) using short screws (part #9) and phillips head screwdriver.

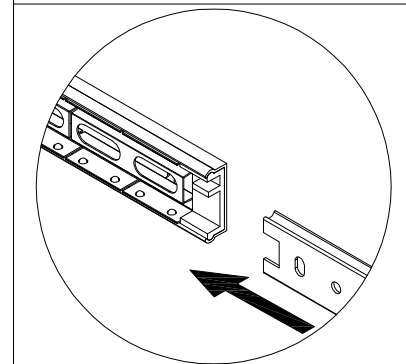


- #9  x 18

Step 11. Carefully turn unit upright. Slide assembled drawer into place.
Note: Place the slidable part to the front position before sliding in.



Front position

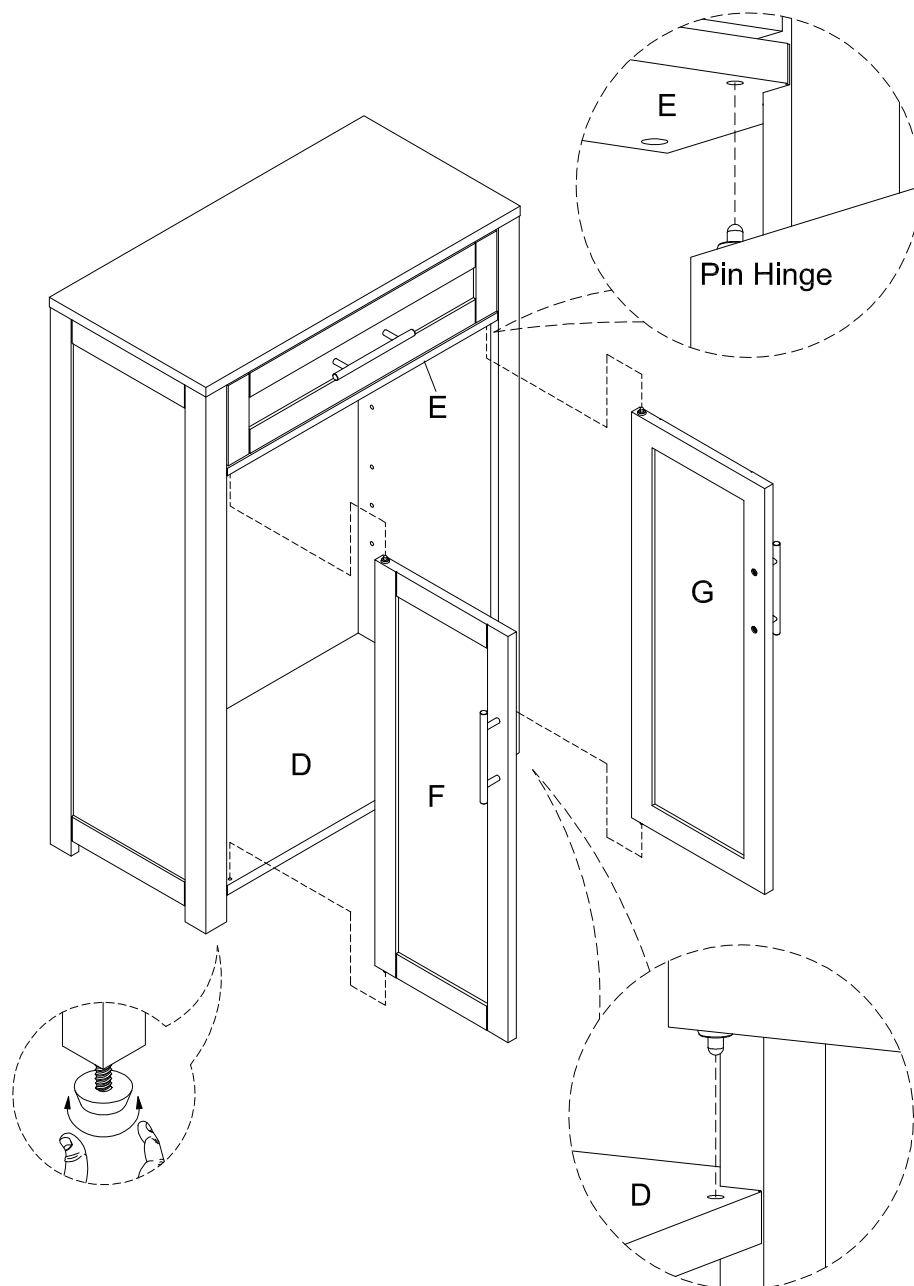


Slide in

Step 12. Attach doors (parts F & G) by placing bottom pin hinge (pre-installed in door) in the pre-drilled hole of bottom panel (part D). Then depress the top spring-loaded pin hinge so it can be placed in the pre-dilled hole of front rail (part E).

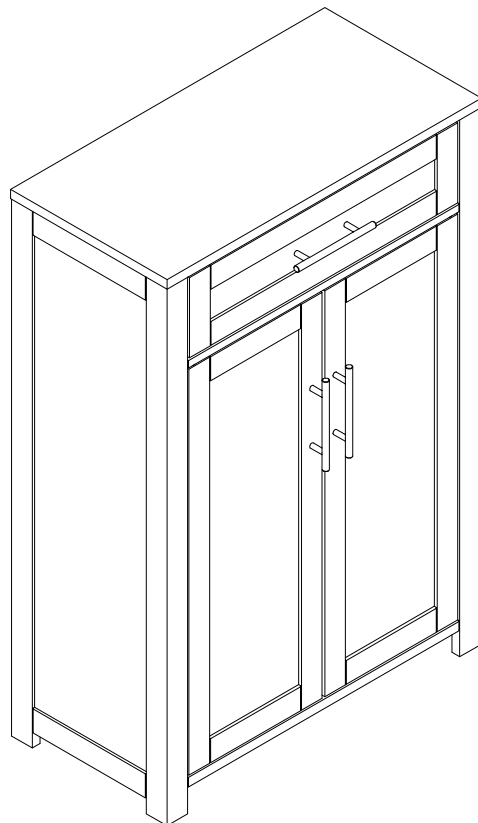
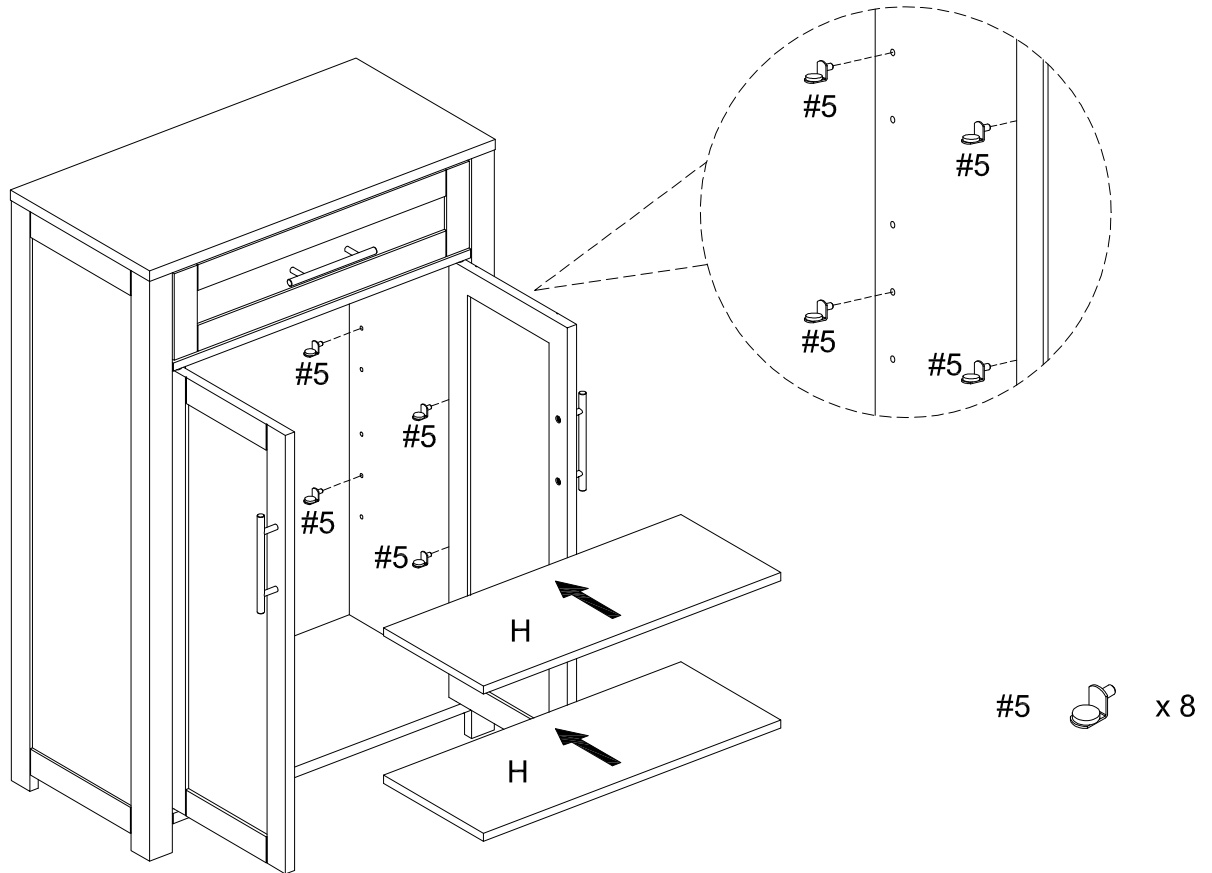
Note: Be sure top and bottom pin hinges are fully extended to secure doors in place.

Note: It is important to adjust levelers once fully assembled and upright. Extend adjustable leveler until it's firmly in contact with the floor. If relocating, adjust leveler as needed until it's firmly in contact with the floor in new location.









Step 13. Place shelf holders (part #5) into desired position and slide adjustable shelves (part H) into place.

Important: Safety strap kit (part #11) must be installed to prevent tipping, damage and/or injury.



Step 14.

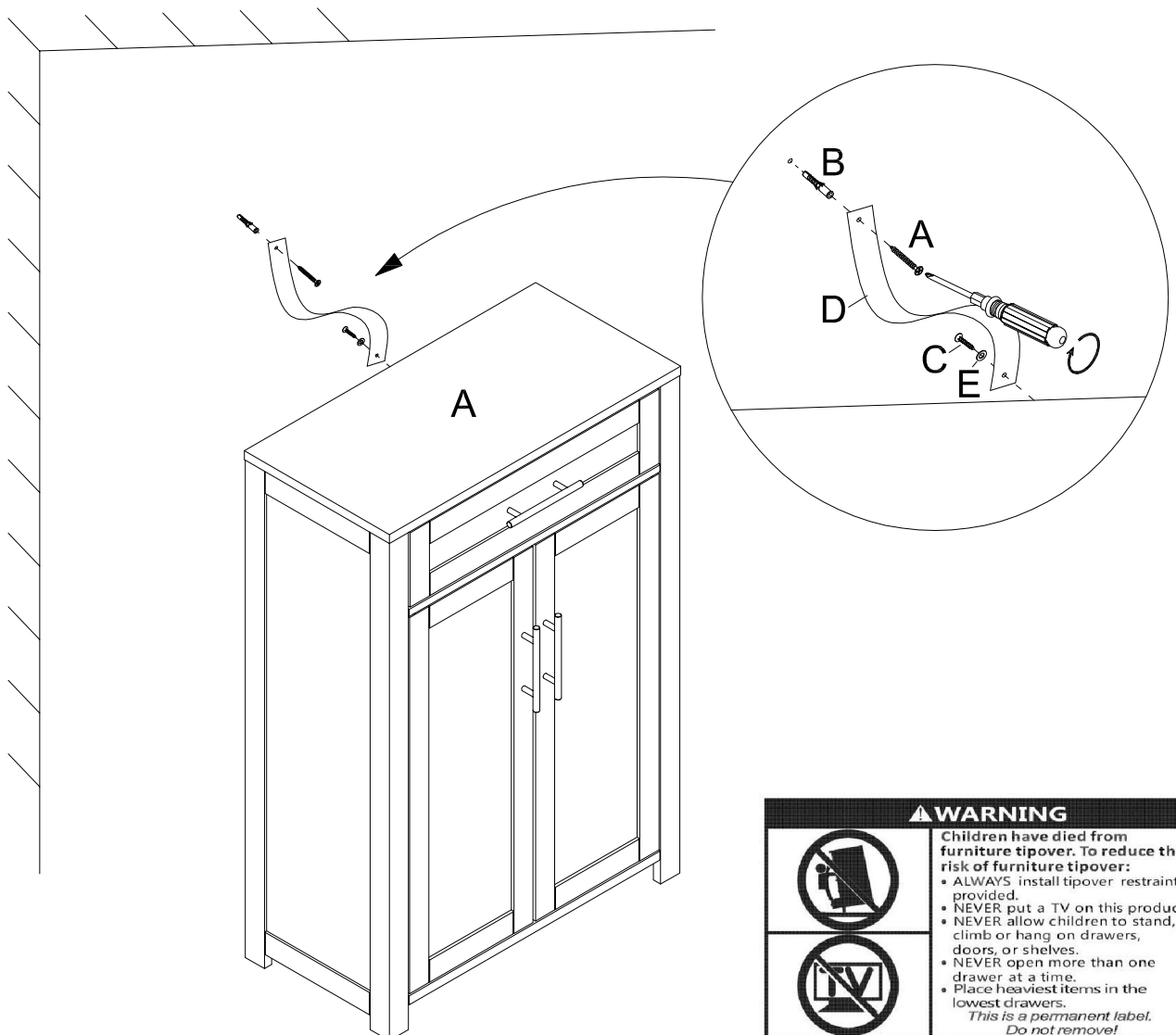
#11	A	B	C	D	E
	 1-1/2"xΦ4xD8	 1 PC	 5/8"xΦ3xD8	 1 PC	 1 PC
Safety Strap Kit 1 SET	Long Screw 1 PC	Wall Anchor 1 PC	Short Screw 1 PC	Safety Wall Strap 1 PC	Flat Washer 1 PC

SAFETY WALL STRAP INSTALLATION

Note: It is highly recommended to install this safety strap kit to prevent tipping, damage and/or injury.

1. Insert short screw (C) through flat washer (E) and safety wall strap (D) and attach to top panel (part A) using phillips head screwdriver.
2. Drill a 11/32" hole where you want to secure the unit. The drilled hole will be at the same height as the hole in top panel (part A) where safety wall strap (D) is attached. Tap wall anchor (B) into the hole.
3. Insert long screw (A) through safety wall strap (D) into wall anchor (B) using phillips head screwdriver.

Note: This item is not intended for clothing storage use.



▲ WARNING

Children have died from furniture tipover. To reduce the risk of furniture tipover:

- ALWAYS install tipover restraint provided.
- NEVER put a TV on this product.
- NEVER allow children to stand, climb or hang on drawers, doors, or shelves.
- NEVER open more than one drawer at a time.
- Place heaviest items in the lowest drawers.

This is a permanent label. Do not remove!