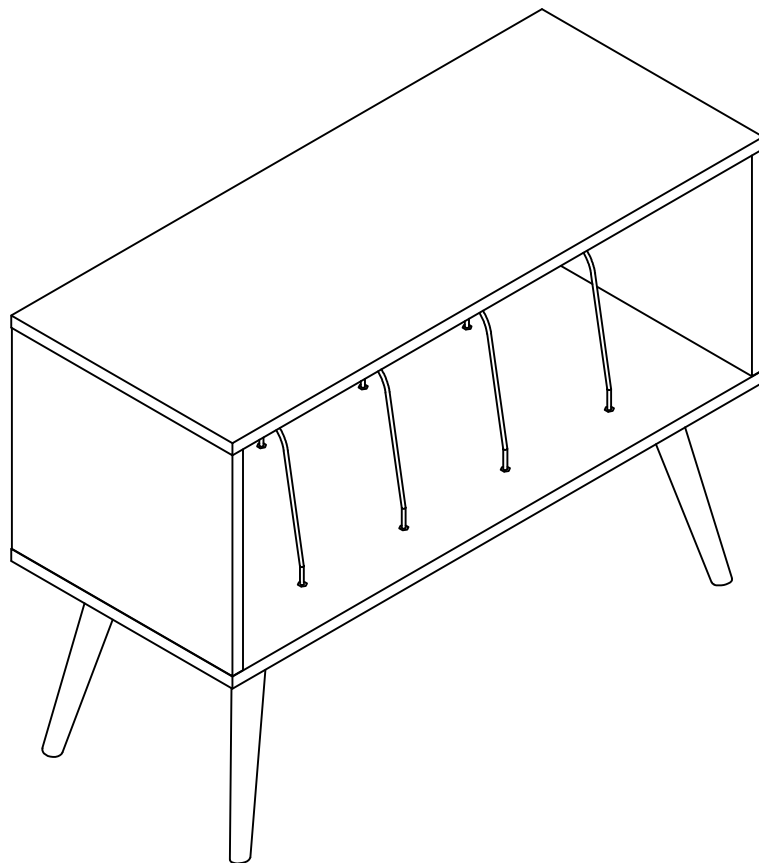


# **CROSLEY**

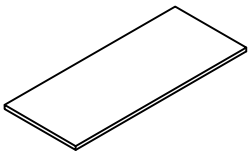
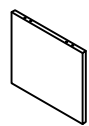
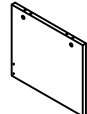
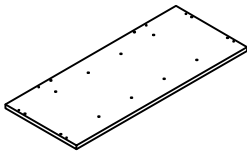
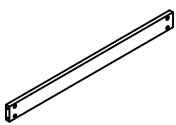


---

## FURNITURE












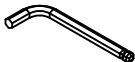

Small Record Player Stand  
With Vinyl Storage  
CF1215



# PARTS LIST

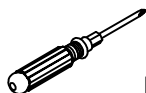
<p><b>A</b></p> 	<p><b>B</b></p> 	<p><b>C</b></p> 	<p><b>D</b></p> 	<p><b>E</b></p> 
<p>Top Panel 1 PC</p>	<p>Left Panel 1 PC</p>	<p>Right Panel 1 PC</p>	<p>Bottom Panel 1 PC</p>	<p>Rail 1 PC</p>
<p><b>F</b></p> 	<p><b>G</b></p> 			
<p>Leg 4 PCS</p>	<p>Metal Wire 4 PCS</p>			

## HARDWARE LIST

#1	 7*38mm	#2		#3		#4	 8*30mm	#5	
Tapping Bolt 6 PCS (Extra 1)		Cam Bolt 8 PCS (Extra 1)		Cam Lock 8 PCS (Extra 1)		Wood Dowel 10 PCS (Extra 1)		Connecting Bar 4 PCS	
#6	 8*4*20mm	#7	 1/4"*20mm	#8	 1/4"*12mm	#9		#10	
Screw 8 PCS (Extra 1)		Long Bolt 4 PCS (Extra 1)		Short Bolt 12 PCS (Extra 1)		Hex Nut 8 PCS (Extra 1)		Cam Sticker 8 PCS (Extra 1)	
#11		#12	 M4	#13					
Wrench 1 PC		Allen Wrench 1 PC		Safety Strap Kit 1 SET					

## ADDITIONAL TOOLS (Not Provided)

Note: It is not recommended to use power tools during assembly.

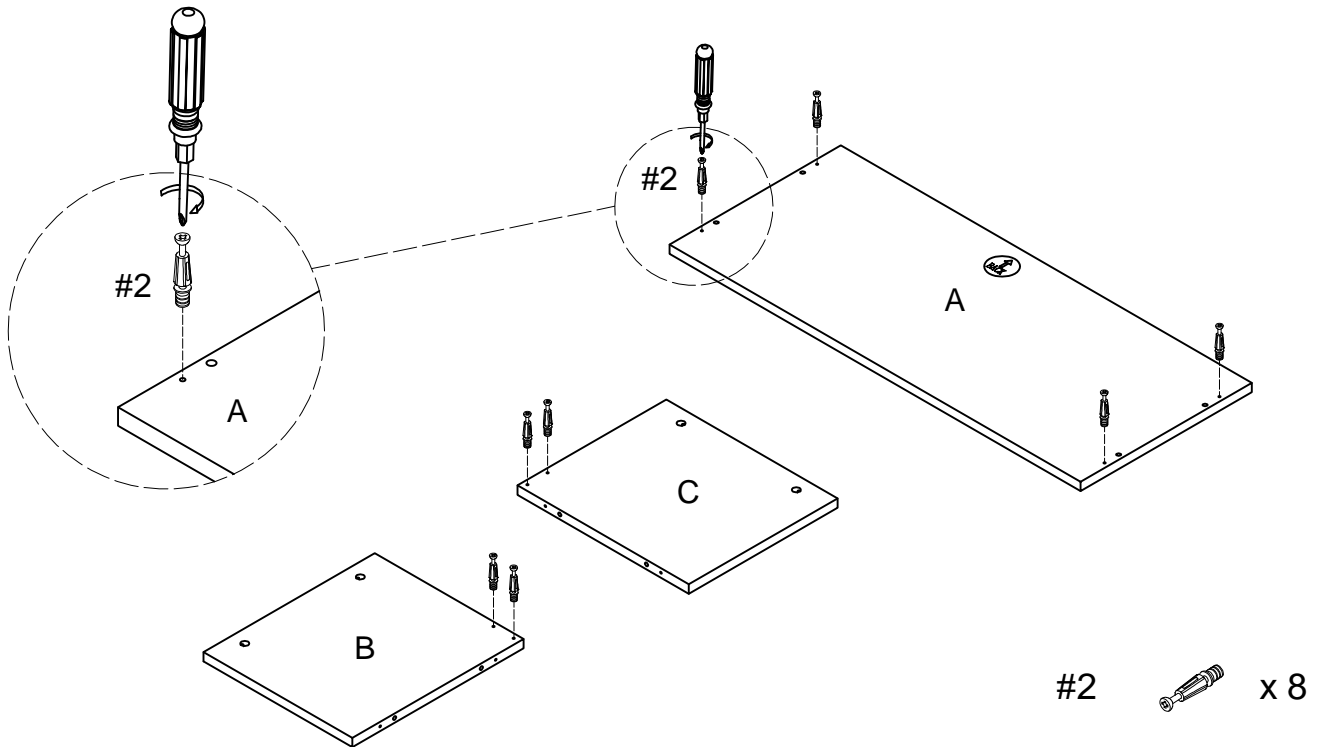


Phillips Head Screwdriver

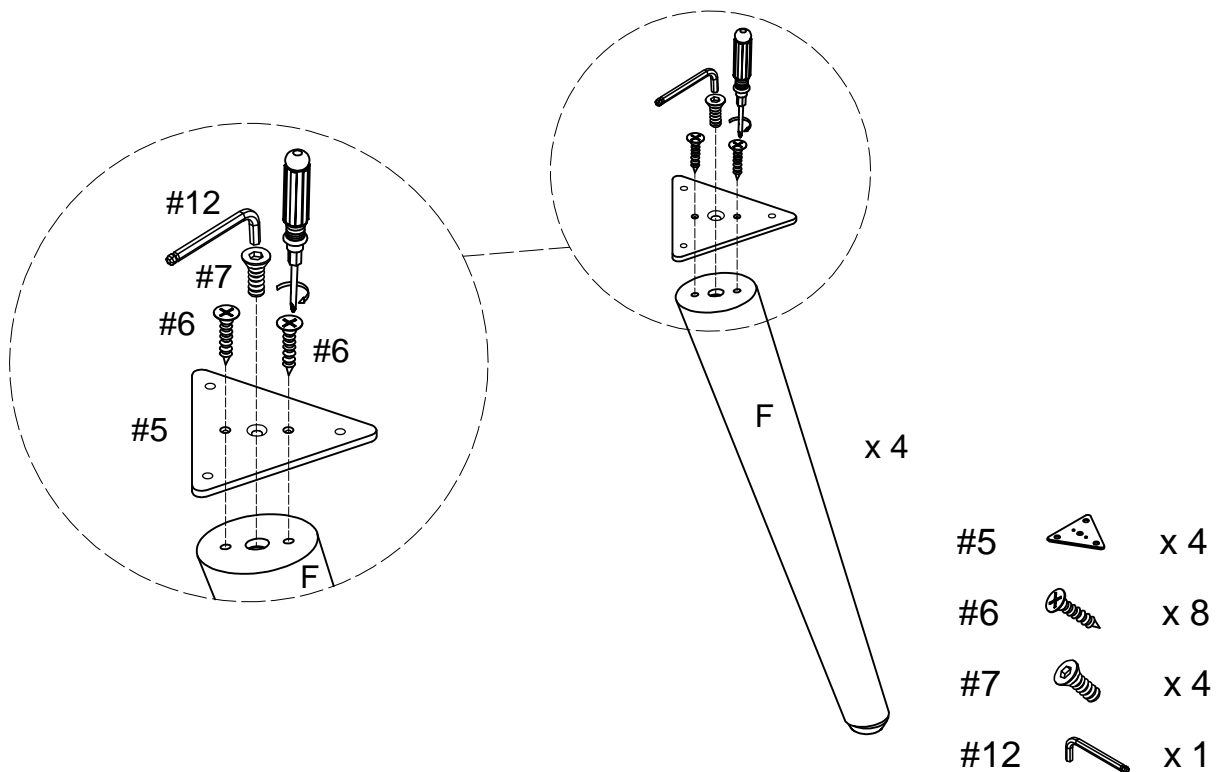
Note: Wood dowels are intended for alignment. Additional clearance between wood dowel and pre-drilled hole is intentional for ease of assembly.

Step 1. Insert cam bolts (part #2) into pre-drilled holes of panels (parts A, B & C) using phillips head screwdriver.

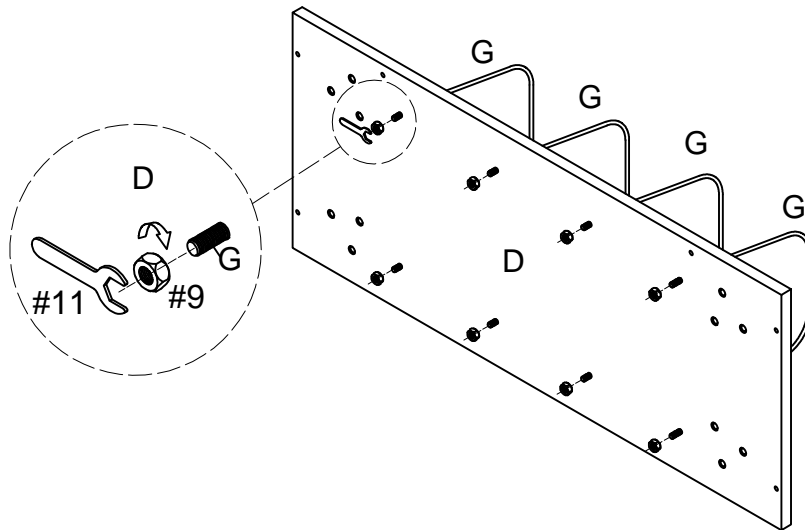
Note: Do not over tighten cam bolts. Stop tightening once threads on cam bolt are no longer visible.





Step 2. Attach connecting bars (part #5) to legs (part F) using screws (part #6), long bolts (part #7), allen wrench (part #12) and phillips head screwdriver.



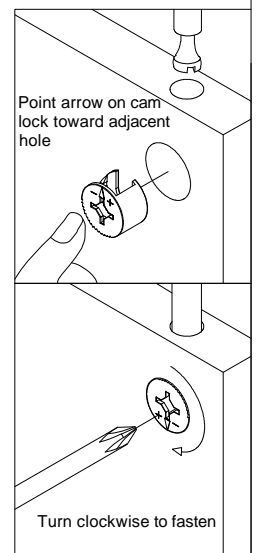
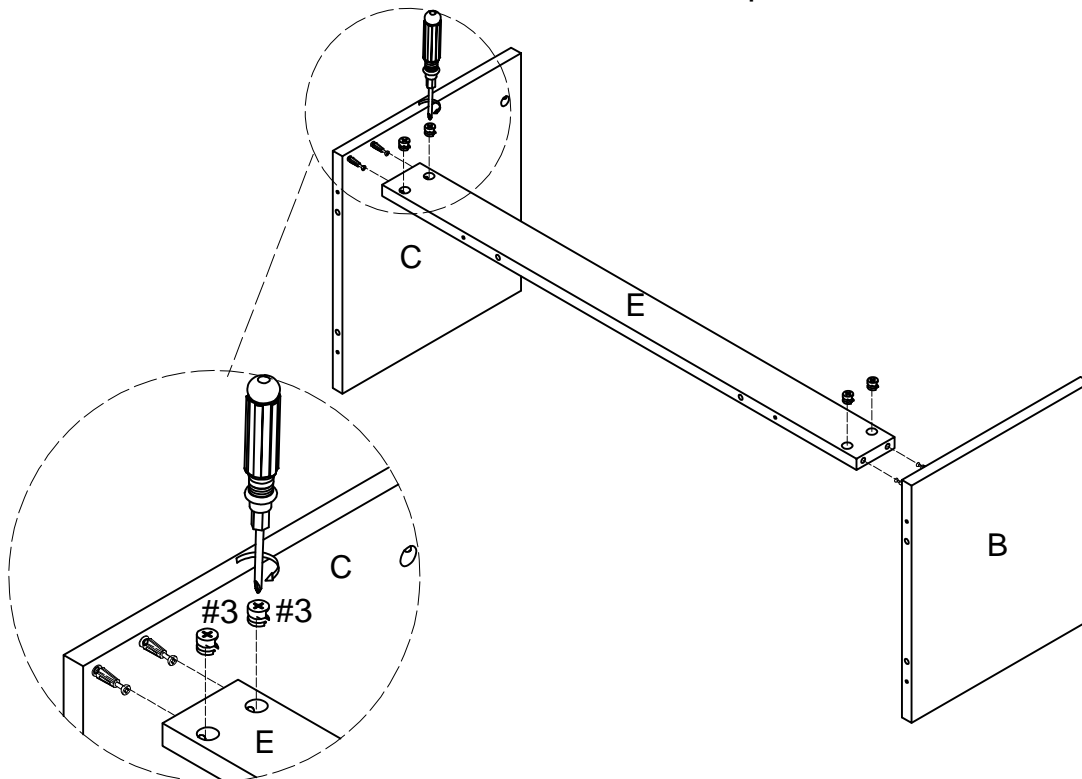
Step 3. Attach metal wires (part G) to bottom panel (part D) using hex nuts (part #9) and wrench (part #11).



- #9  x 8
- #11  x 1

Step 4. Attach rail (part E) to panels (parts B & C) using cam locks (part #3) and phillips head screwdriver.

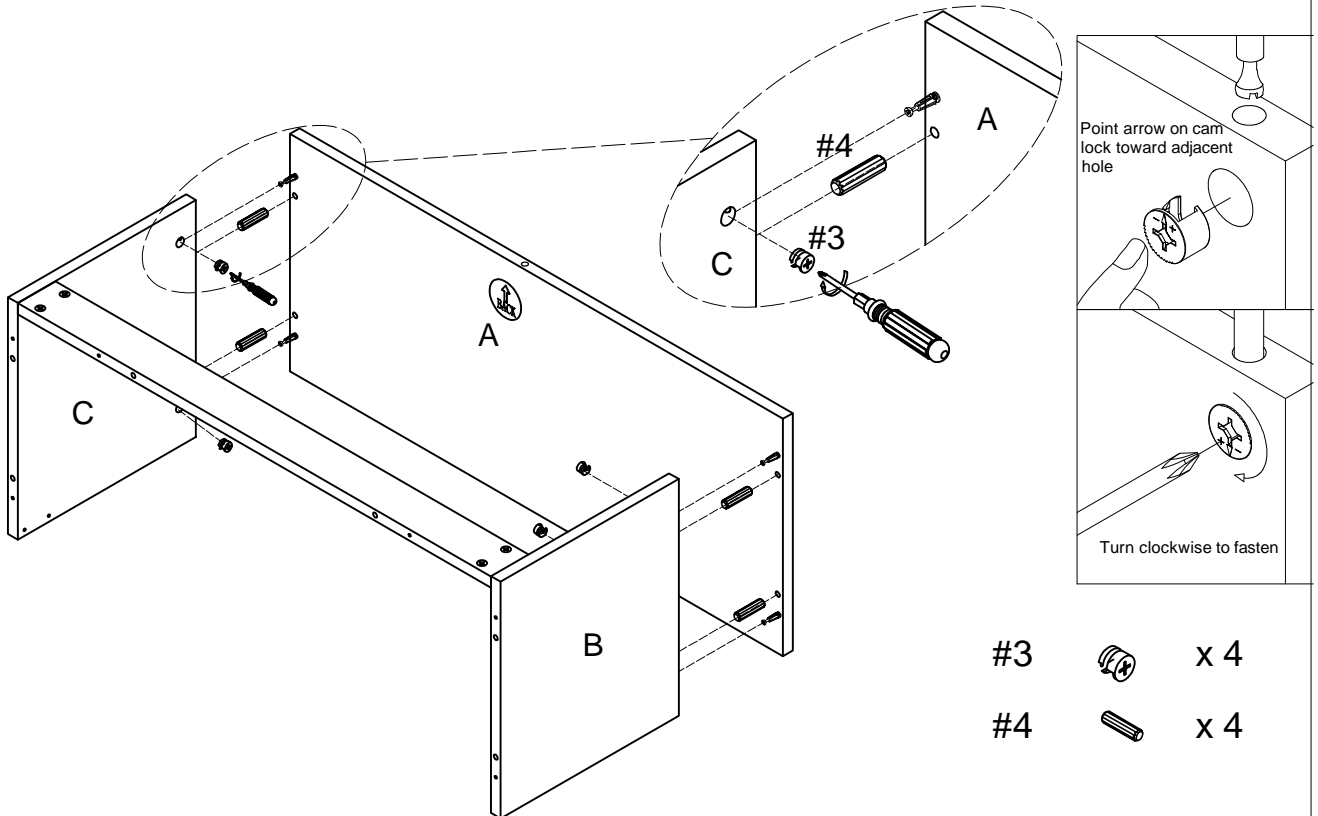
Note: Cam locks must rotate a full 180°. See pictured insert.



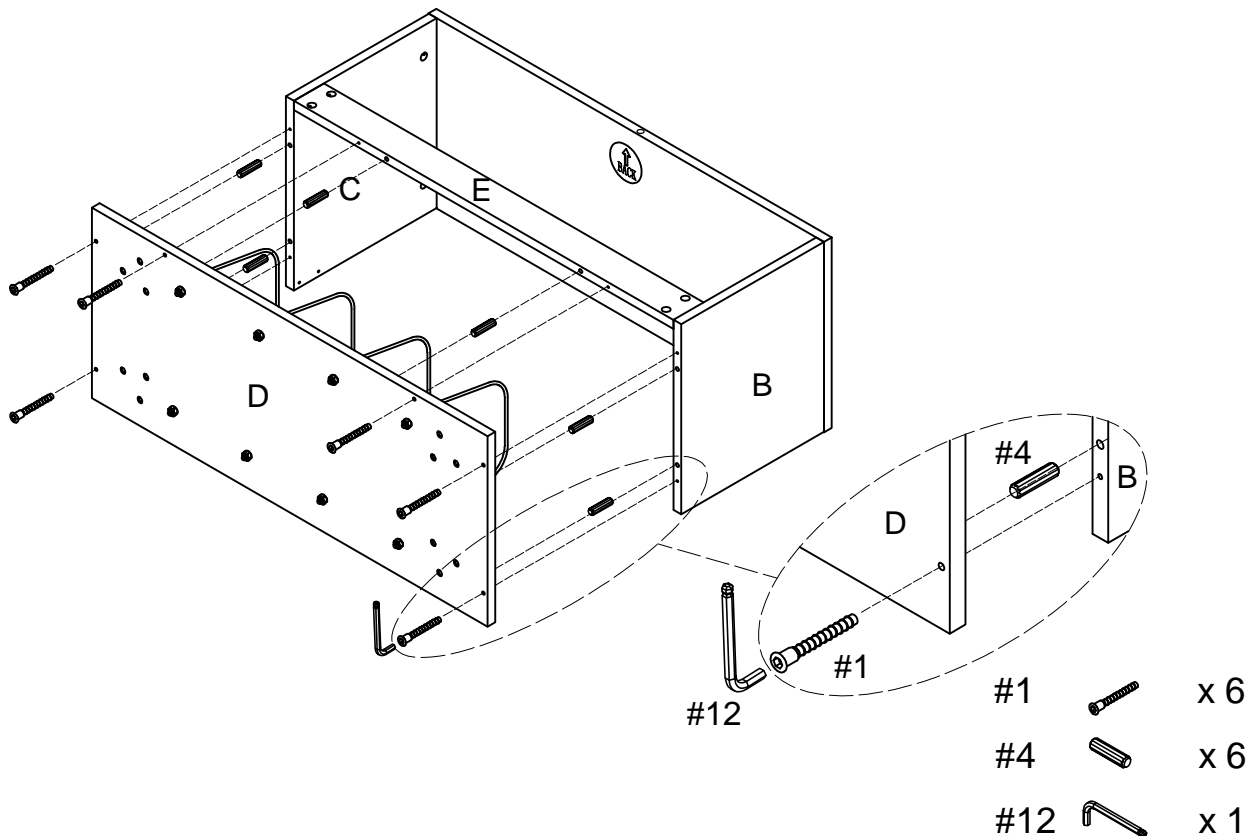
- #3  x 4

Step 5. Attach top panel (part A) to assembled unit (parts B & C) using cam locks (part #3), wood dowels (part #4) and phillips head screwdriver.

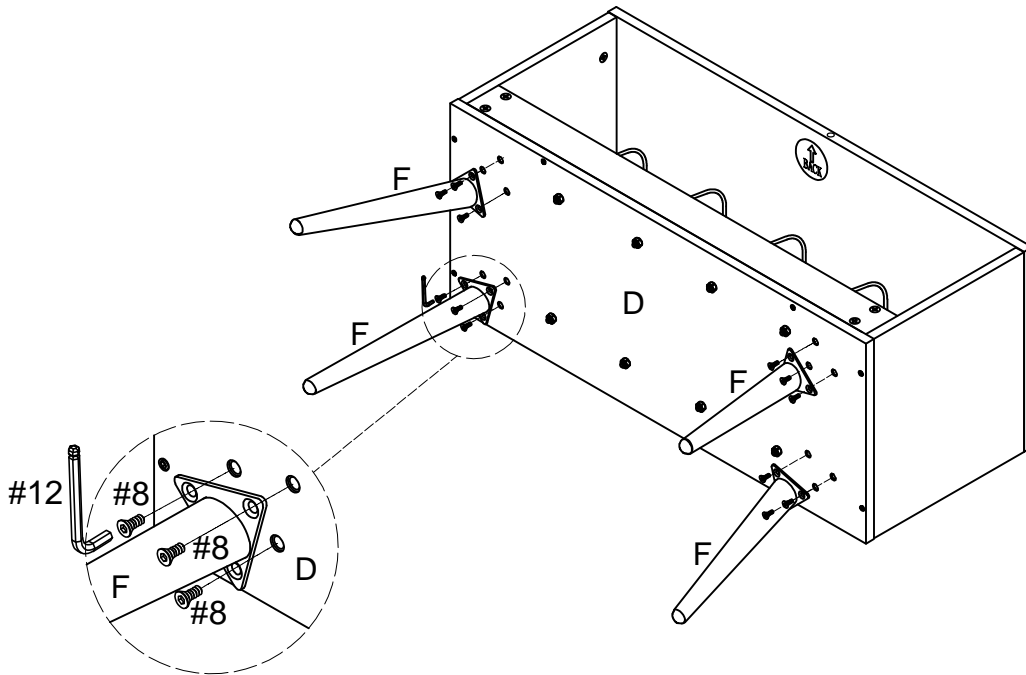
Note: Cam locks must rotate a full 180°. See pictured insert.



Step 6. Attach bottom panel (part D) to assembled unit (parts B, C & E) using tapping bolts (part #1), wood dowels (part #4) and allen wrench (part #12).



Step 7. Attach legs (part F) to bottom panel (part D) using short bolts (part #8) and allen wrench (part #12).

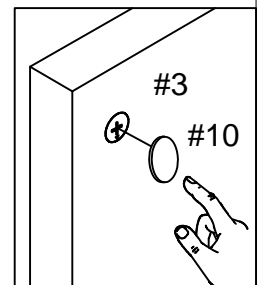
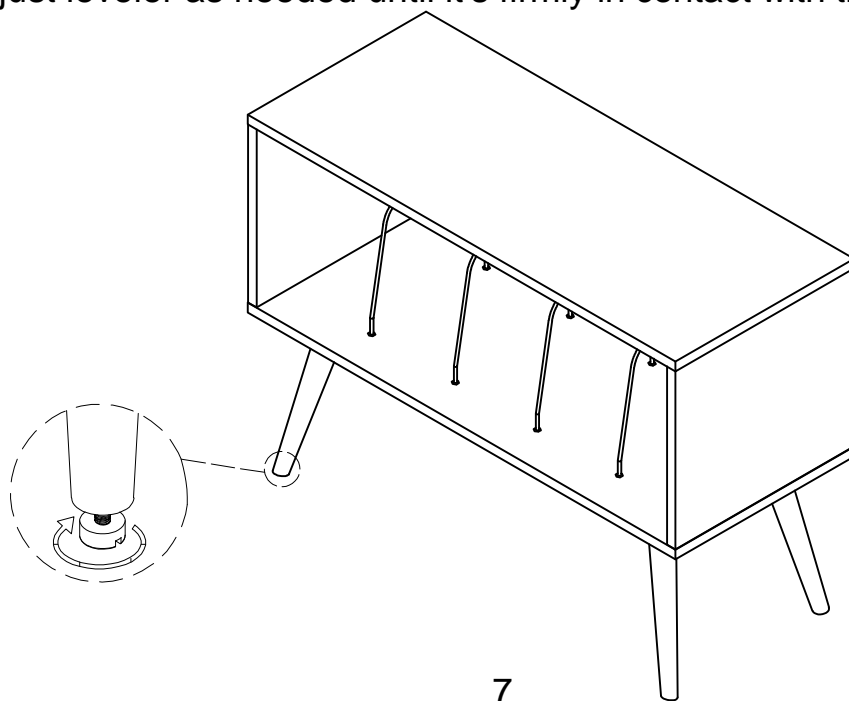


- #8  x 12
- #12  x 1

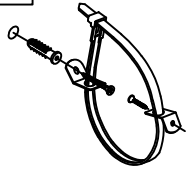





Step 8. Carefully turn unit upright. Using cam stickers (part #10) cover all cam locks (part #3).

Important: Safety strap kit (part #13) must be installed to prevent tipping damage and/or injury.

NOTE: It is important to adjust levelers once fully assembled and upright. Extend adjustable leveler until it's firmly in contact with the floor. If relocating, adjust leveler as needed until it's firmly in contact with the floor in new location.



- #10  x 8

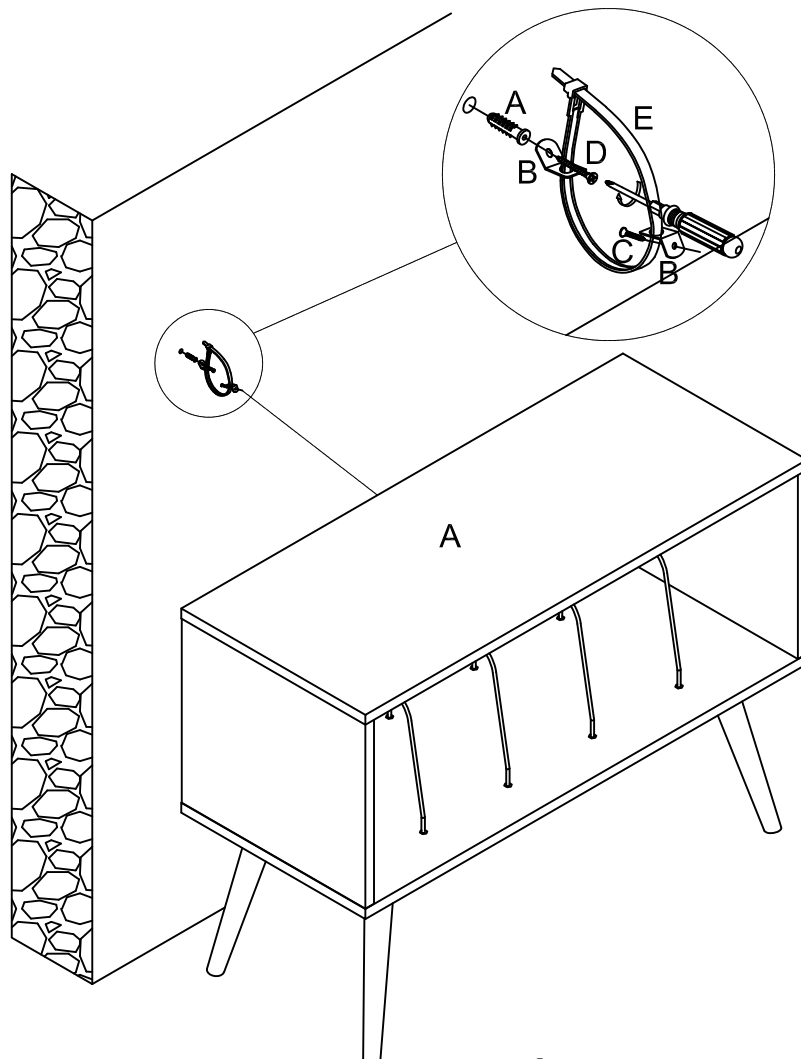
#13	A	B	C	D	E
			 8*3*15mm	 8*4*35mm	
Safety Strap Kit 1 SET	Wall Anchor 1 PC	Bracket 2 PCS	Short Screw 1 PC	Long Screw 1 PC	Safety Wall Strap 1 PC

## SAFETY WALL STRAP INSTALLATION

Note: It is highly recommended to install this safety strap kit to prevent tipping, damage and/or injury.

1. Insert short screw (C) and safety wall strap (E) through bracket (B) and attach to top panel (part A) using phillips head screwdriver.
2. Drill a 11/32" hole where you want to secure the unit. The drilled hole will be at the same height as the hole in top panel (part A) where bracket (B) is attached. Tap wall anchor (A) into the hole.
3. Insert long screw (D) and safety wall strap (E) through bracket (B) into wall anchor (A) using phillips head screwdriver.

Note: This item is not intended for clothing storage use.



⚠ WARNING	
	<p>Children have died from furniture tipover. To reduce the risk of furniture tipover:</p> <ul style="list-style-type: none"> <li>• ALWAYS install tipover restraint provided.</li> <li>• NEVER put a TV on this product.</li> <li>• NEVER allow children to stand, climb or hang on drawers, doors, or shelves.</li> <li>• NEVER open more than one drawer at a time.</li> <li>• Place heaviest items in the lowest drawers.</li> </ul>
	<p><i>This is a permanent label. Do not remove!</i></p>