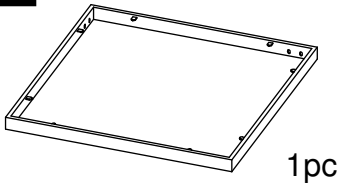


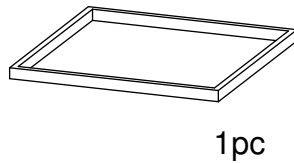
ASSEMBLY INSTRUCTION

ARCH EYEBROWS PILLAR SQUARE END TABLE

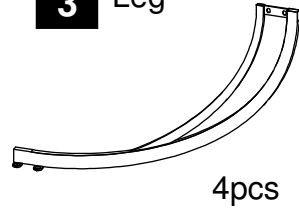
1 Top Frame



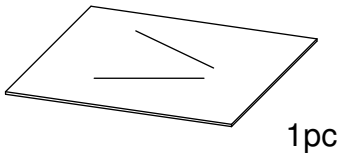
2 Bottom Frame



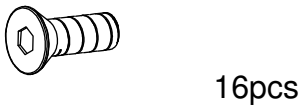
3 Leg



4 Glass Top



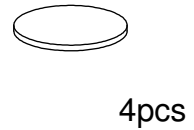
A Screw 1/4"x1/2"



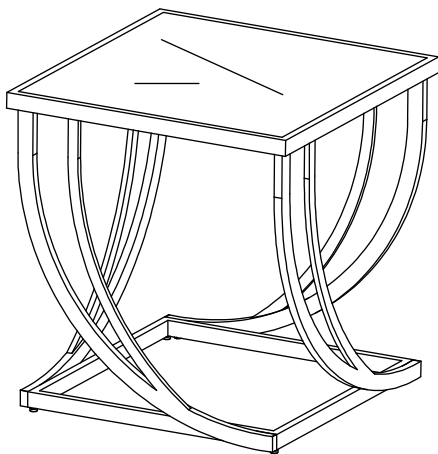
B Leveler



C Glass Pad



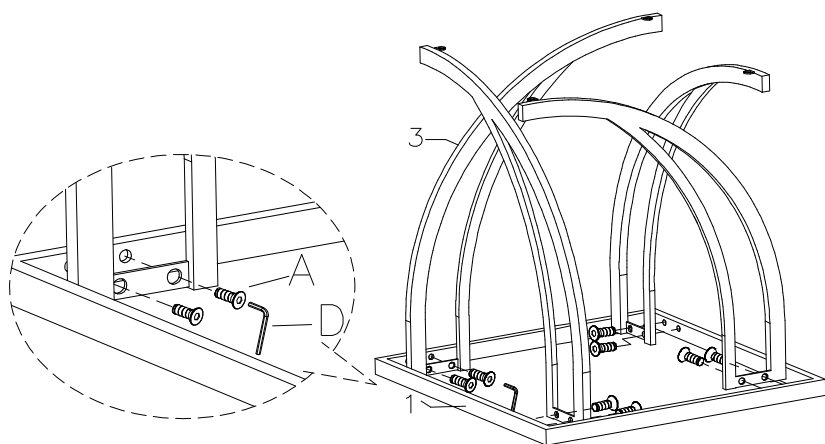
D Allen Wrench



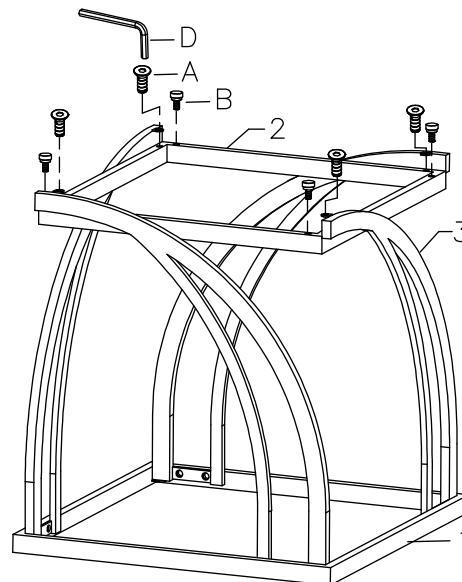
This page lists all the contents included in the box. Please take the time to identify the hardware as well as the individual components to this product. As you unpack and prepare for assembly, place the contents on a carpeted or padded area to protect them from damage.

***** Do not tighten screws & bolts until the entire unit is completely assembled.**

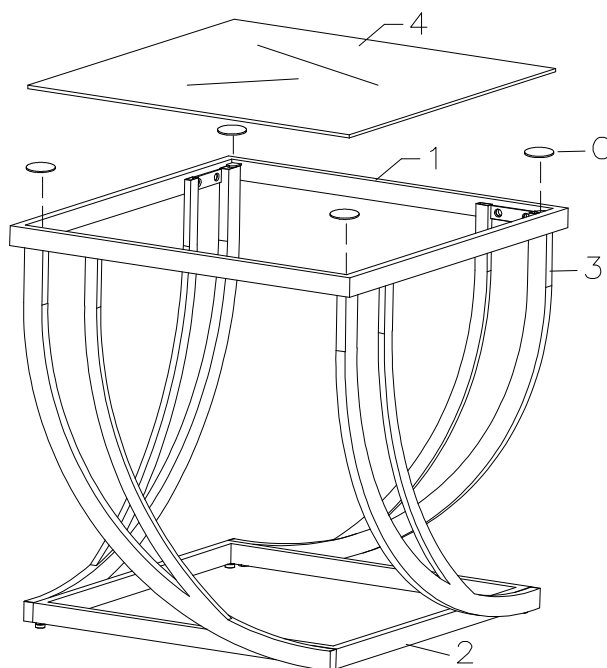
1 Attach leg (3) to top frame (1) by using screw (A) and allen wrench (D) as shown.



2 Attach bottom frame (2) to leg (3) by using screw (A) and allen wrench (D) then tighten all screws firmly. Following, attach leveler (B) to the bottom frame (2) as shown.



3 Turn the unit upside down and put glass pad (C) onto the top frame (1) then put on glass top (4) as below shown.



Cleaning & Care

Treat surface with care. Surface is resistant to scratches but is not scratch resistant. Clean surfaces with a dry or damp soft cloth. Do not use abrasive cleaners. Hardware may loosen over time. Periodically check that all connections are tight.