

# Cantilever Umbrella

Assembly and Operation Manual



**S** Series



**T**hank you for your purchase of

Cantilever Umbrella

Read and follow this assembly and operation guide.

To avoid personal injury and damage to your umbrella,  
please **close** your umbrella when it is incoming over **30 mph** wind.

We recommend a **two-person team** for assembly and disassembly.

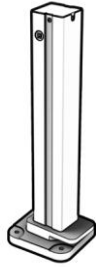
If you like our products, please tell other customers.

If you have problem with our products, please tell us.

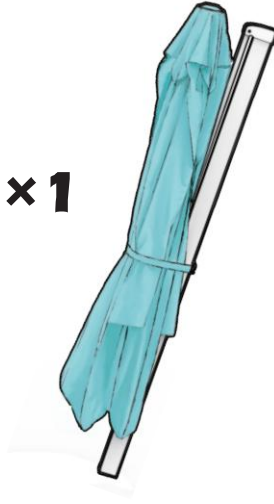
**Please feel free to contact us.**

# CHECK LIST

**B** × 1



**F** × 1

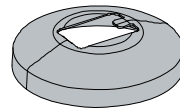


**C** × 1

(M8 x 30)



**G** × 1

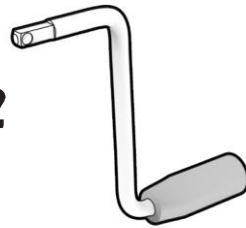


**D** × 4

(M8 x 35)



**H** × 2



**E** × 5

(Ø8)



**I** × 1



## Important

**Prior to assembly, it is important to choose the location of the umbrella.**

- Allow ample height to avoid damage to your umbrella during assembly and usage.
- Choose a location that is **level and sturdy**.
- Consider a location that will maximize the umbrella's rotating swivel function. Placing the umbrella between two entertaining areas is ideal.
- To avoid personal injury or damage to the umbrella, make sure the area around you is clear from any outdoor structure or furniture.
- Keep all the flame and heat sources away from this umbrella.

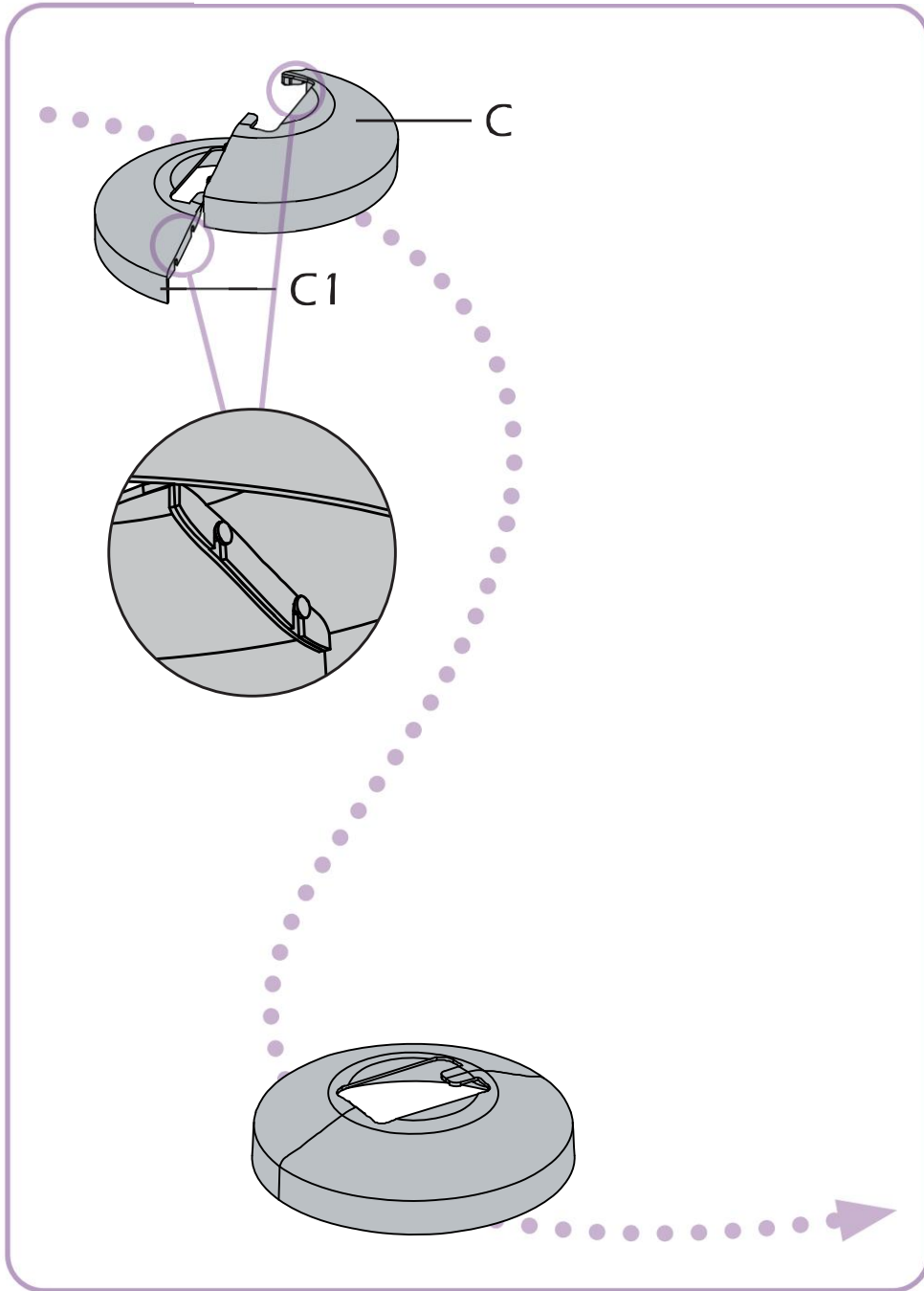
**STORAGE:** Properly store the umbrella when not in use. Close the umbrella, fasten the strap around the canopy and cover the umbrella with a protective cover.

**NOTE:** DO NOT discard any packaging or box until assembly is complete.

**CAUTION:** Moving the umbrella when it is fully open will increase the risk of damage to your umbrella or will cause serious injury. We recommend a two-person team for assembly and disassembly.

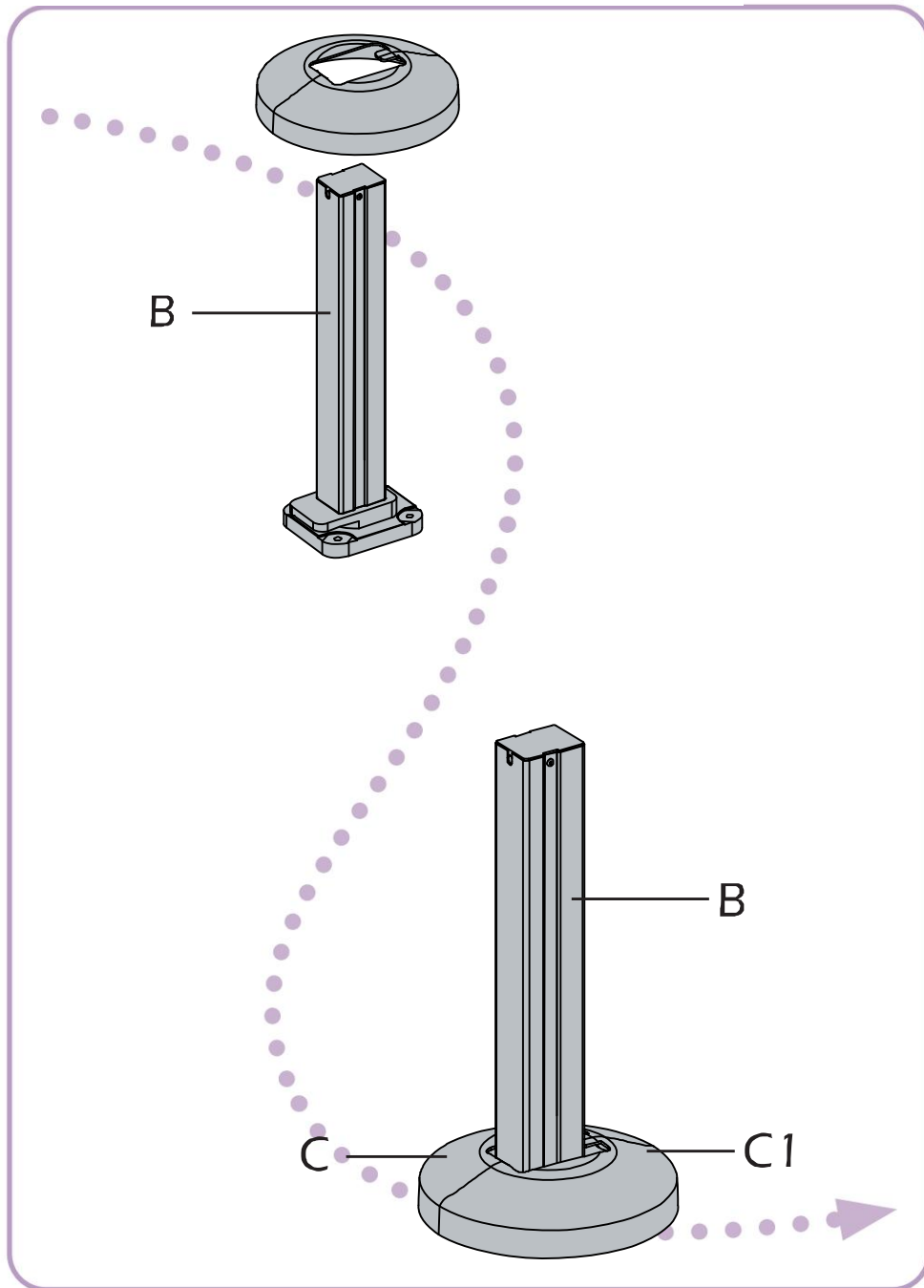
1

Cover plate installation



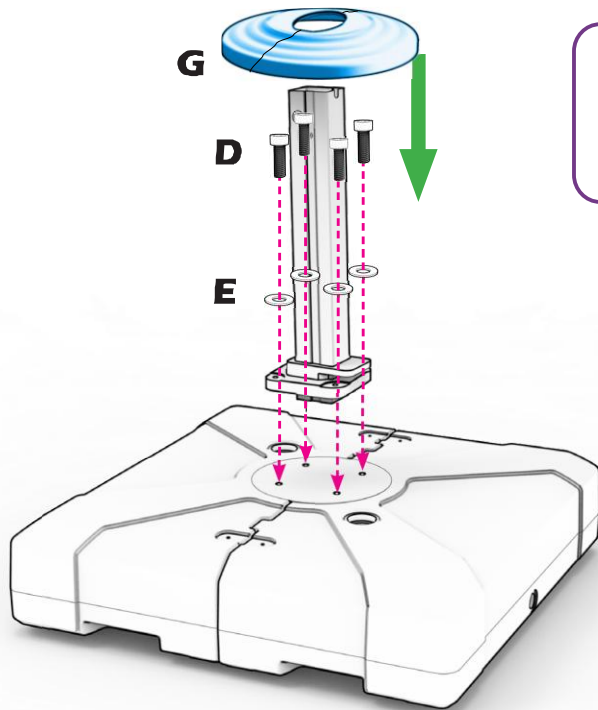
# Cover plate installation

# 1

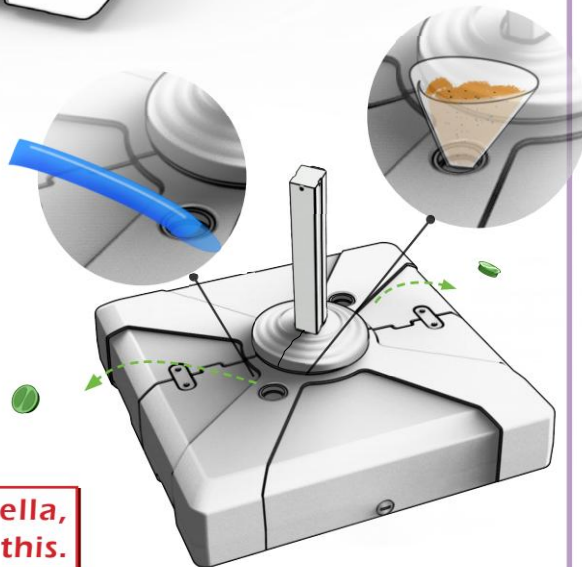


# 2

## Base Tube Assembly



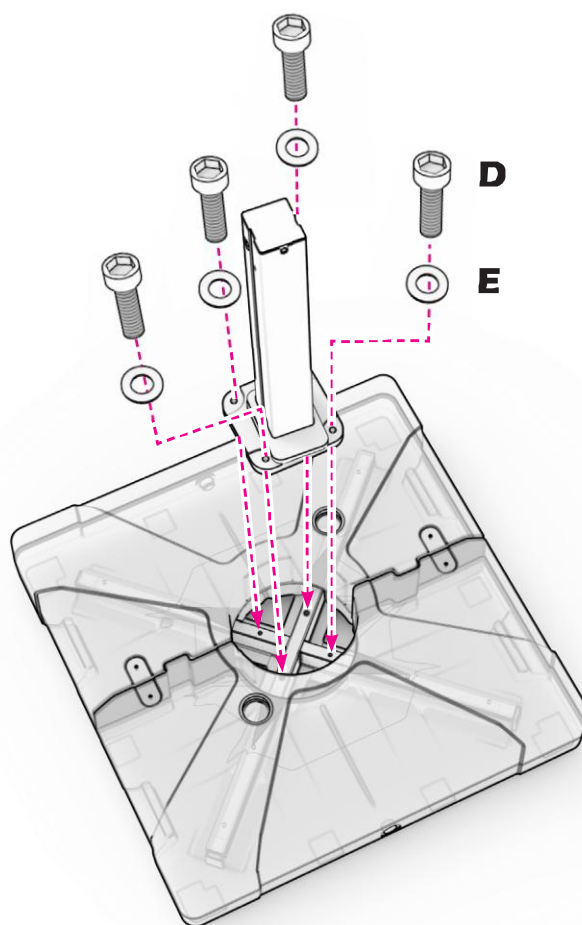
**Option 1**  
**Water Tank Base**  
(Sold Separately)



For 12'x12', 10'x13 umbrella,  
the 38.9"×38.9" base like this.

## Base Tube Assembly

# 2



**For 10'×10' umbrella, the 32.2"×32.2" base like this.  
For 11'×11', 9'×12 umbrella the 36.6"×36.6" base also like this**

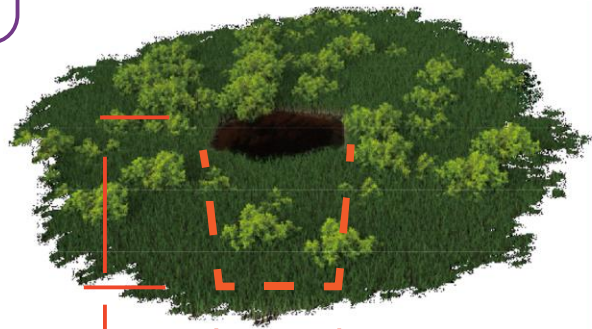
# 2

## Base Tube Assembly

**Option 2  
Inground Base**  
(Sold Separately)



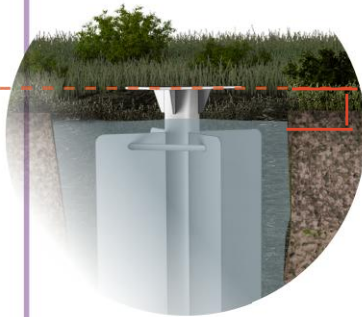
gently  
put it down  

28"

24"

Horizontal



2"

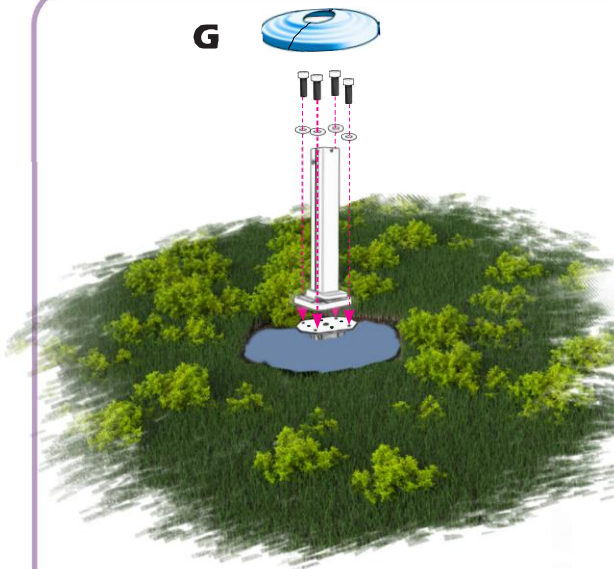
Concrete >700lbs



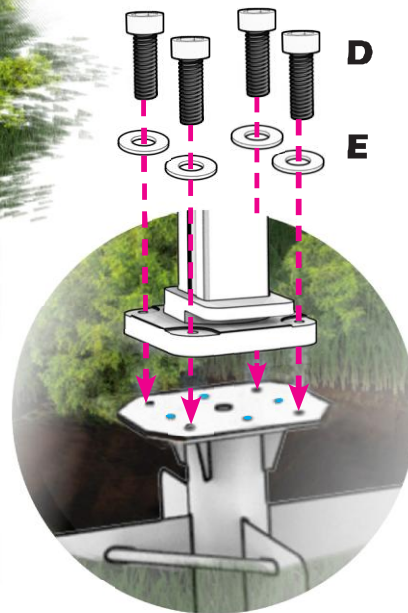
# Base Tube Assembly



# 2

**G**



**Option 2  
Inground Base  
(Sold Separately)**



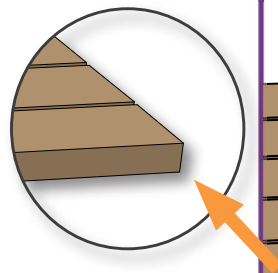
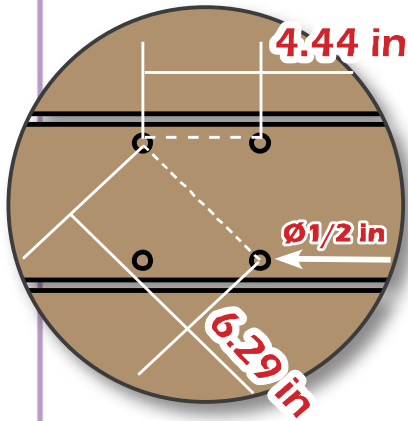
 **Standard umbrella**  
 For special accessories



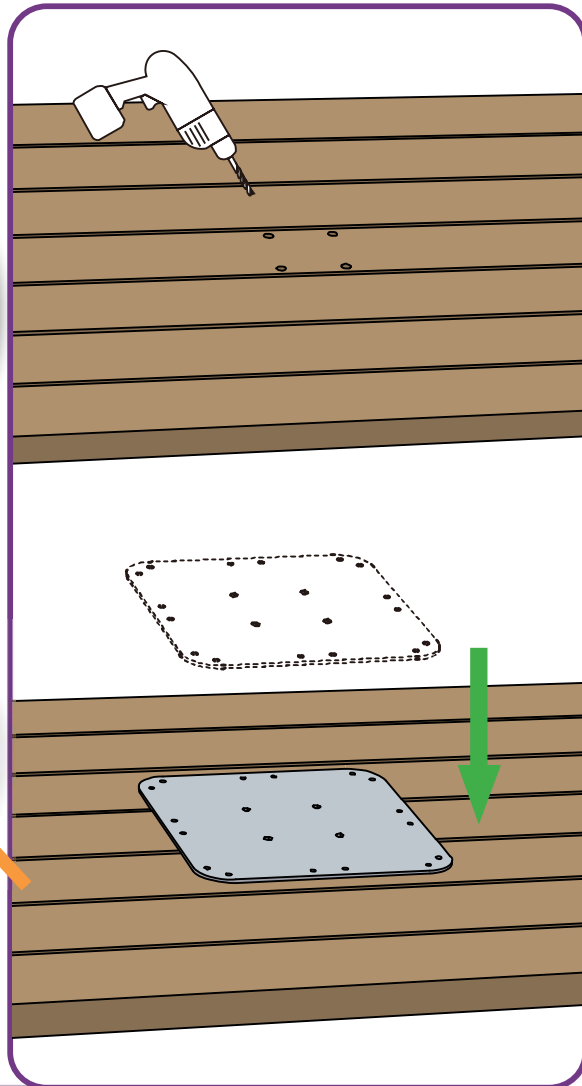
# 2

## Base Tube Assembly

**Option 3  
Baseplate**  
(Sold Separately)

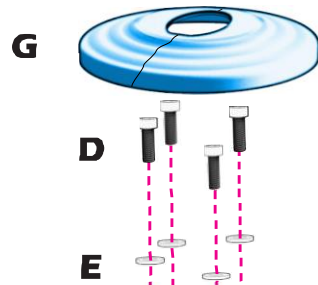


If the deck is hardwood, the required depth should be more than 0.5 inches.

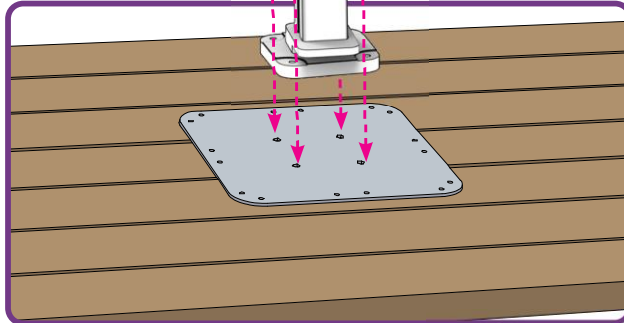


## Base Tube Assembly

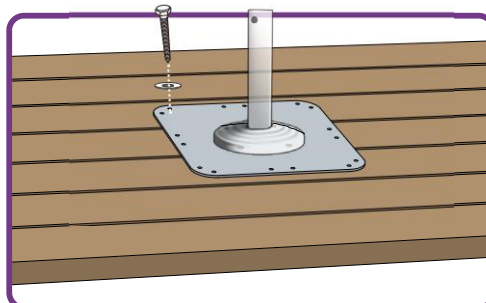
# 2



**Option 3  
Baseplate**  
(Sold Separately)



Use **1/4 inch** -diameter galvanized/stainless lag screws to mount the plate to the deck (included in the package).



# 3

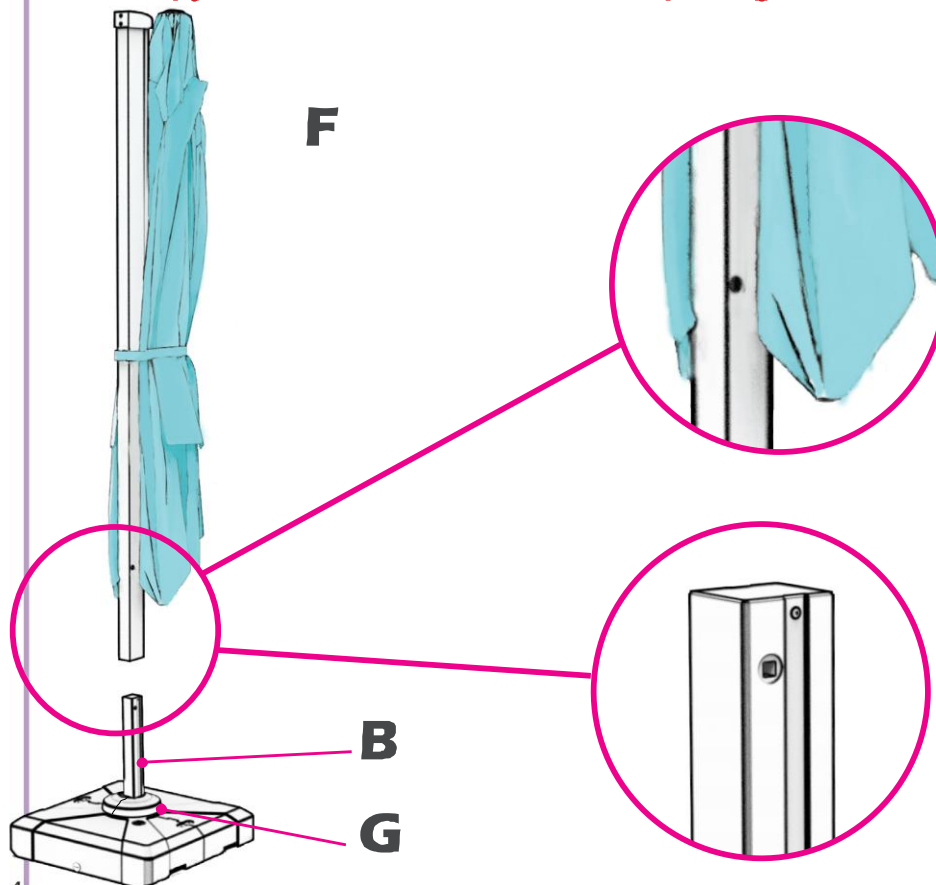
## Umbrella Assembly

**Two-persons** recommended for team lift and to complete assembly.

Insert the **main pole** onto the **base tube (B)** with the **cover plate (G)** installed.

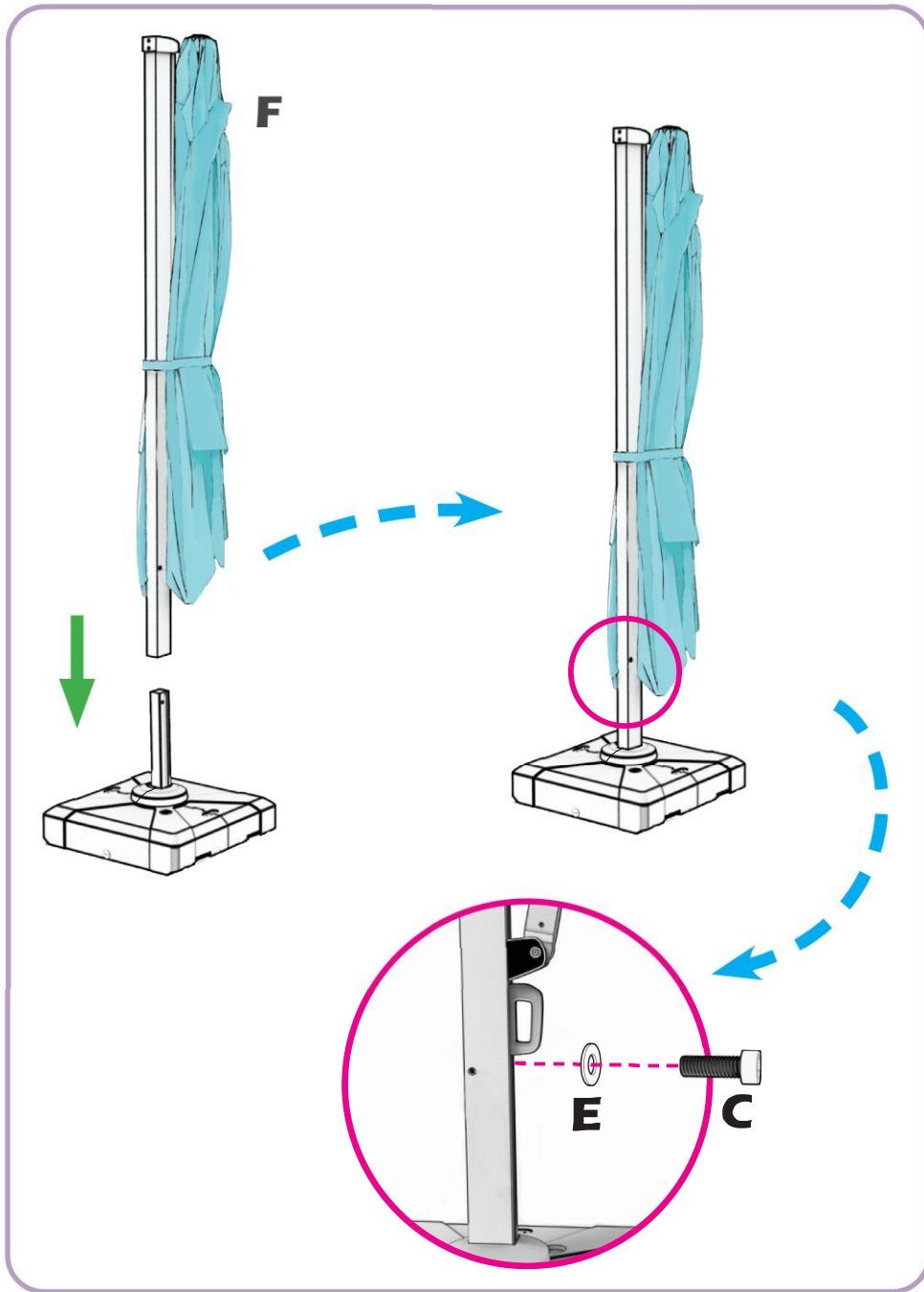
Screw **Part C** with washer into the matched up hole

**Note: Be mindful of the packaging in the umbrella canopy. It MUST be removed before opening.**



Umbrella Assembly

3



# 4

## Operation

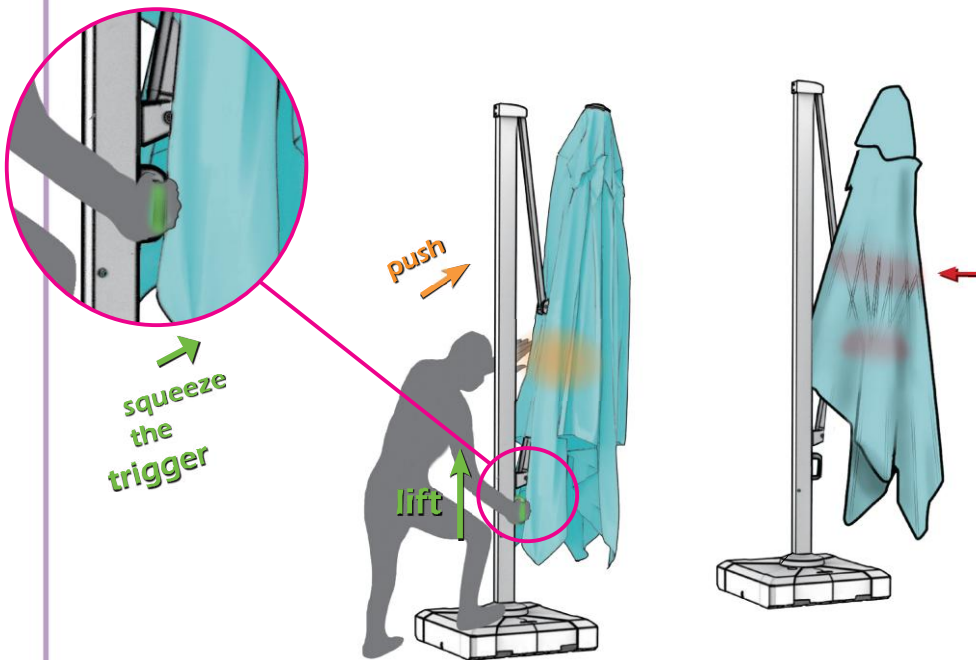
**CAUTION:** Stop turning the crank handle as soon as the umbrella cover is completely open and the sleeve on the umbrella pole has reached its maximum height.

**IMPORTANT:** PRIOR TO USING THE TILT FUNCTION. To avoid personal injury or damage to the umbrella, make sure the area behind you is clear and free from any furniture or structure.

### To Open Canopy

1. Slide the umbrella handle to the top of the pole by squeezing the trigger.
2. Insert the **hand crank(H)** into the small hole of the handle on the post.

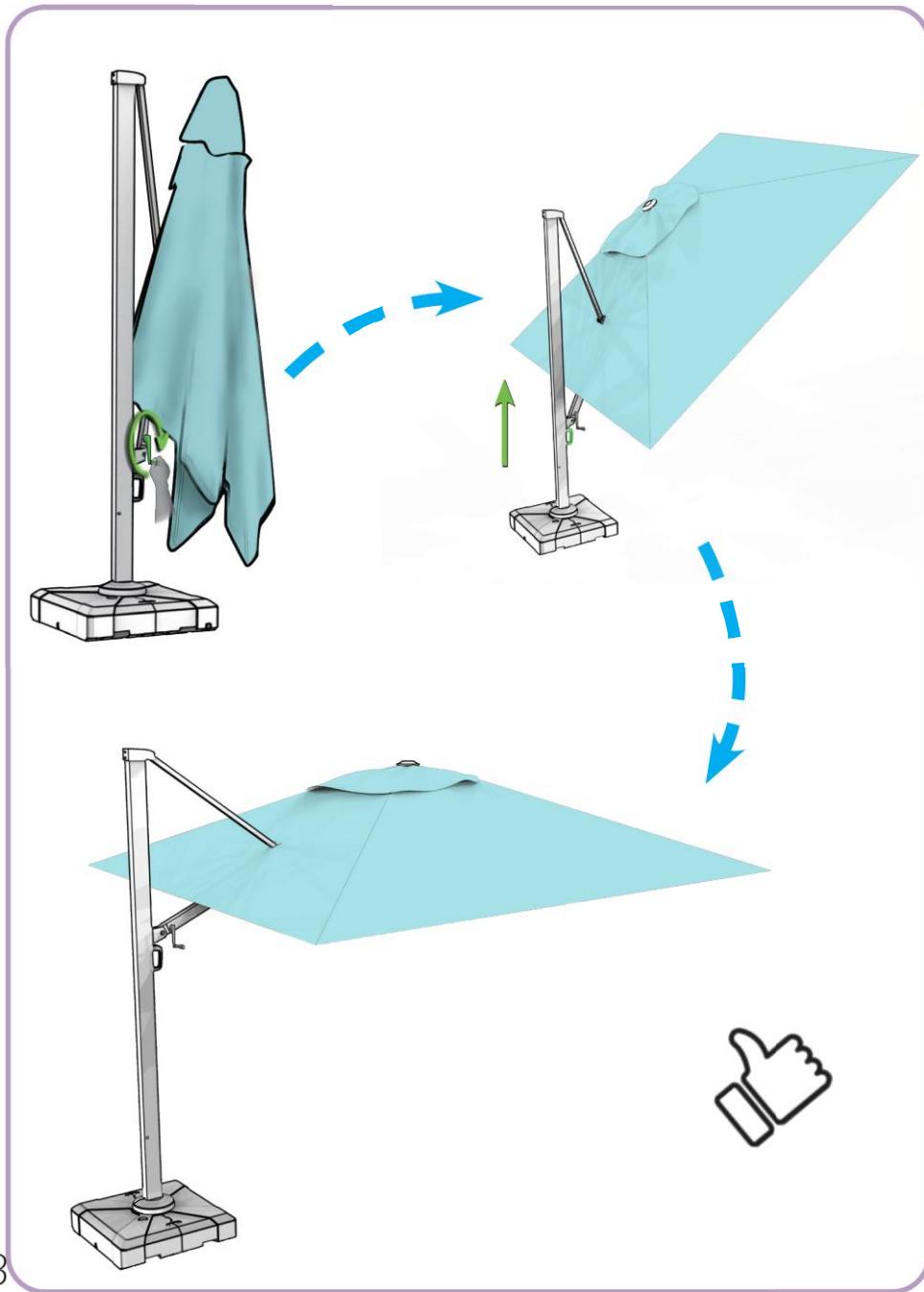
Be sure to remove all the protective material inside.



**Note:** Be mindful of the packaging in the umbrella canopy. It **MUST** be removed before opening.

# 4

## Operation

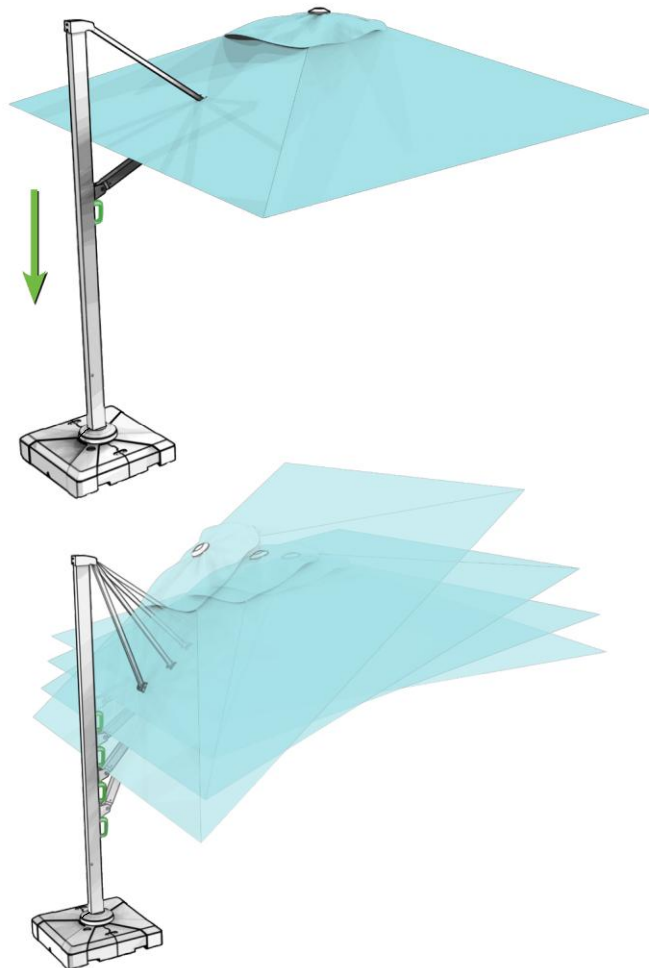


### To Tilt Canopy

Press on the handle trigger and move the handle up and down to adjust the angle of the umbrella canopy.

**IMPORTANT:** PRIOR TO USING THE TILT FUNCTION.

To avoid personal injury or damage to the umbrella, make sure the area behind you is clear and free from any furniture or structure.

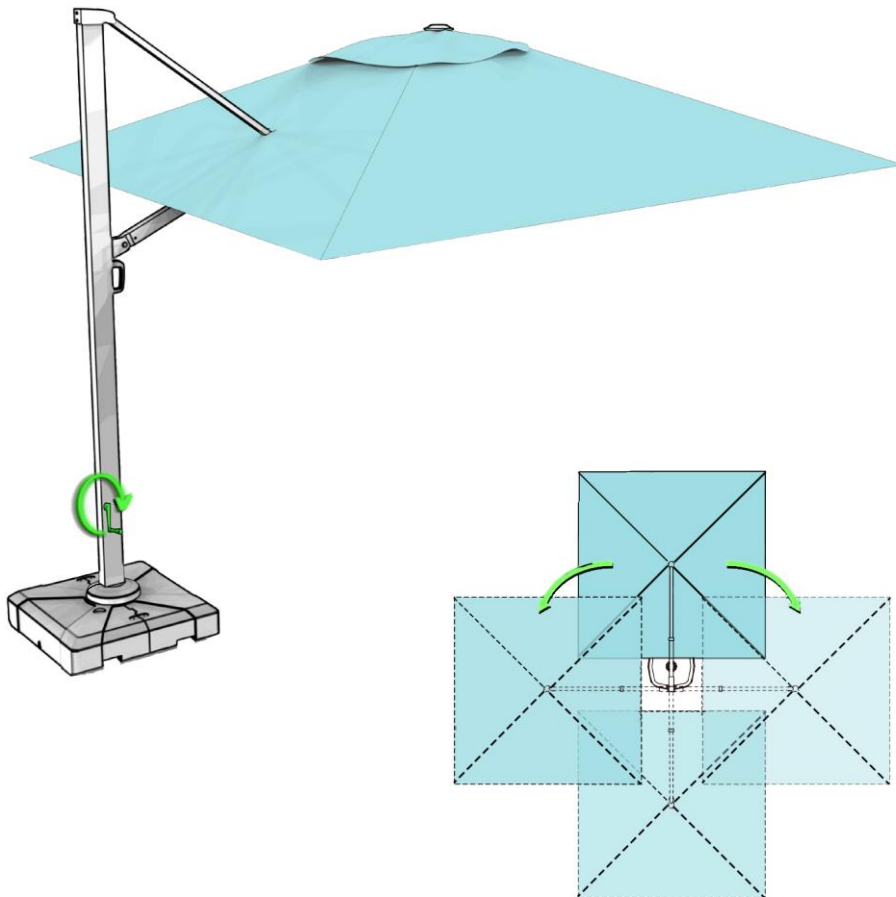


# 4

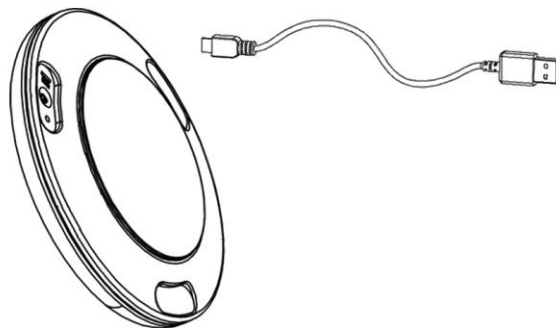
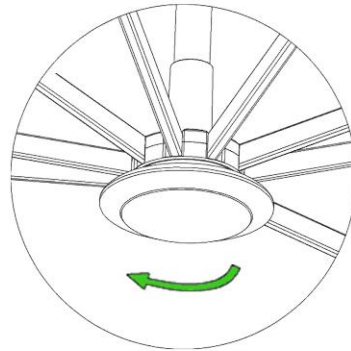
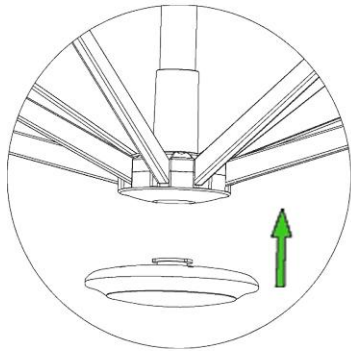
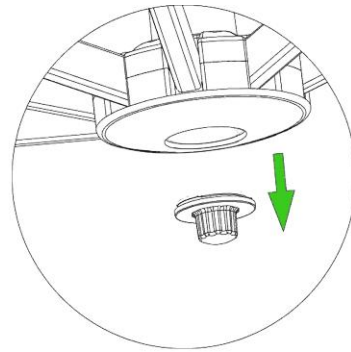
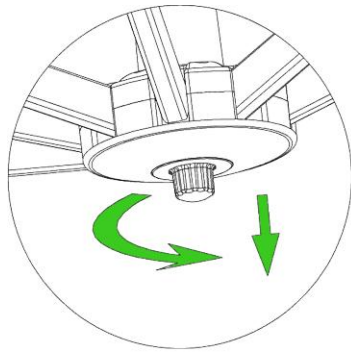
## Operation

### To Operate the 360° Rotation

Insert the **hand crank(H)** into the hole near the bottom of the umbrella, turn the crank to rotate it.



**To Install Umbrella Light**  
(Sold Separately)



## WARRANTY

### Frame

Frames are warranted to be free from defects in materials and workmanship for a period of one year. Damage to frames or welds due to improper assembly or exposure to water and sub-freezing temperatures is not covered.

### Fabric

Fabric is warranted for a period of three years. Fading or discoloration resulting from exposure to the elements, chemicals, or from spills is not covered.

### Finish

The finish is warranted against peeling, cracking, or blistering for a period of one year, provided the unit has not been scratched or abraded. Scratches and chips resulting from abnormal wear and tear are not covered. Fading resulting from exposure to elements is not covered.

### Note

All operation should be according to the instruction manual.

### Exclusions

Warranty only applies to the original purchase order from Purple Leaf.

Failure caused by unreasonable or abusive use;

Failure caused by neglect of reasonable and necessary care;

Damage to the umbrella due to the animal is not covered.

Acts of nature (including but not limited to wind, hurricanes, tornadoes, and storms) are not covered by this warranty.

## **SAFETY PRECAUTIONS**

Close the umbrella in windy conditions or when a storm approaches.

Never allow the umbrella to flap in the wind. This could damage the canopy.

Properly store umbrella when not in use. Close umbrella, and cover umbrella with a protective cover(not included).

Do not leave an open umbrella unattended. If damage occurs, this is not covered by the warranty.

When adjusting the umbrella, make sure that no person(s) or item(s) is close to the umbrella. This is important to prevent injury or material damage.

# 5

## Notification

### **Care And Maintenance**

If necessary, clean the fabric with lukewarm water.

Allow a wet canopy to dry slightly opened, but do not leave unattended.

Wipe sliding marks on the aluminum poles with a damp cloth.

Winter Storage: Store in A Dry Place.

Attention

6

Umbrella base tube has  $3^\circ$  backward to the vertical for engineering purpose.

