
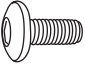

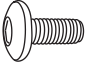




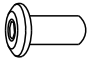

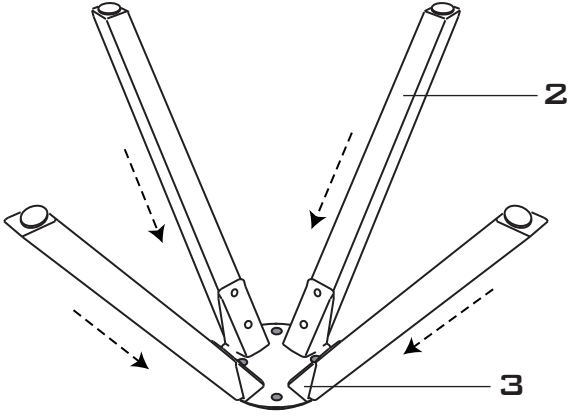
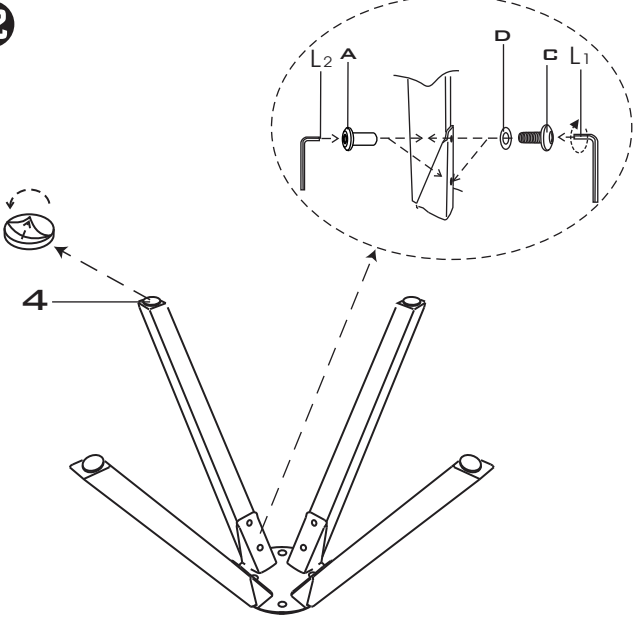
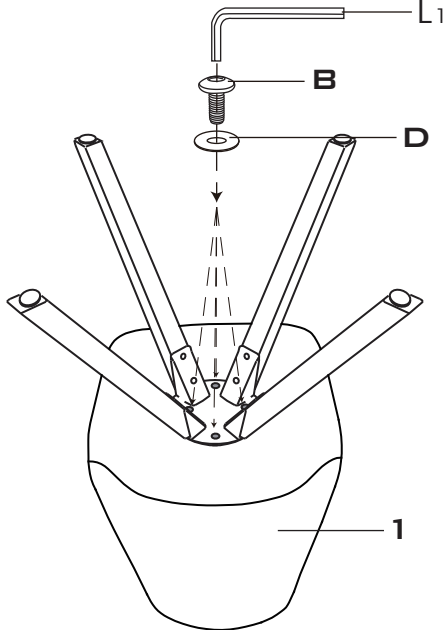


PART IDENTIFICATION	QUANTITY PER SET	PART IDENTIFICATION	QUANTITY PER SET
1 	1	B  M6*18	4
2 	4	C  M6*32	8
3 	1	D  M6*18*1.2	12
4 	4	L ₁  M6	1
A 	8	L ₂  M5	1
1 		2 	
3 		4 