




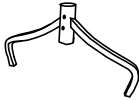
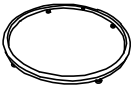
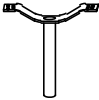

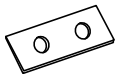






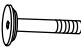





Assembly Instructions

Please read this before you proceed

A		1pc
B		1pc
C		1pc
D		1pc
E		1pc
F		1pc
G		1pc
H		1pc
I		2pcs
J		4pcs




Assembly Instructions

Please read this before you proceed

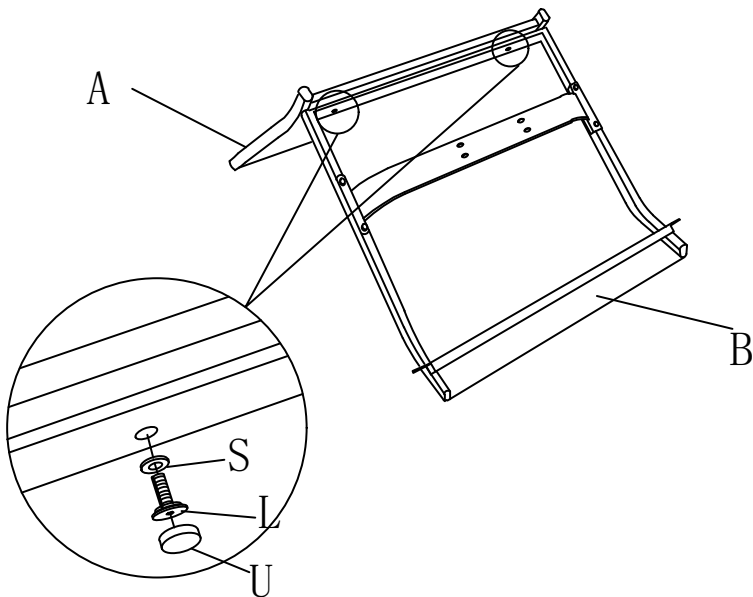
K	 M6*15	2pcs
L	 M6*25	1pc
M	 M6*30	2pcs
N	 M8*30	4pcs
O	 M6*40	4pcs
P		6pcs
Q	 $\phi 13^* \phi 6.5^*1.5$	12pcs
R	 $\phi 13^* \phi 8.0^*2.0$	4pcs
S	 $\phi 12^* \phi 6.5^*1.0$	8pcs
T	 $\phi 16^* \phi 8.2^*1.0$	7pcs

Assembly Instructions

Please read this before you proceed

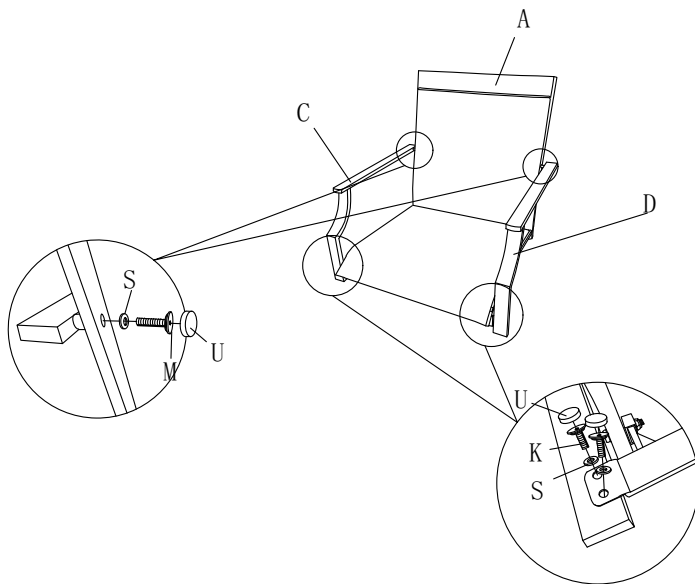
U		1pc
V		1pc
W		1pc

① Don't fasten tight, keep all bolts loose.

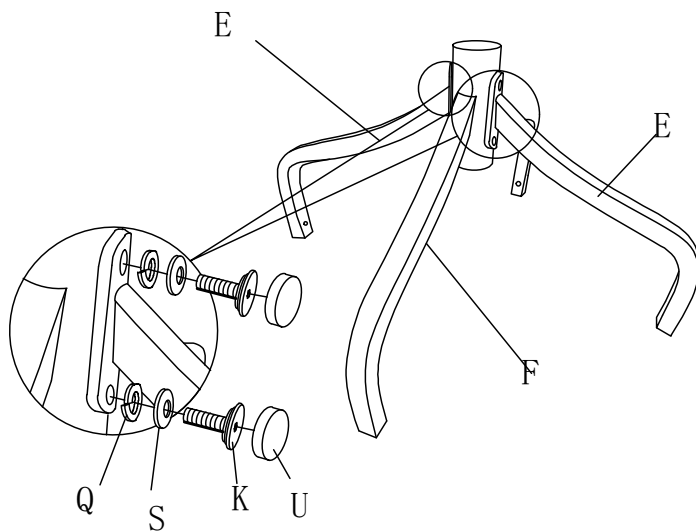


Assembly Instructions

②

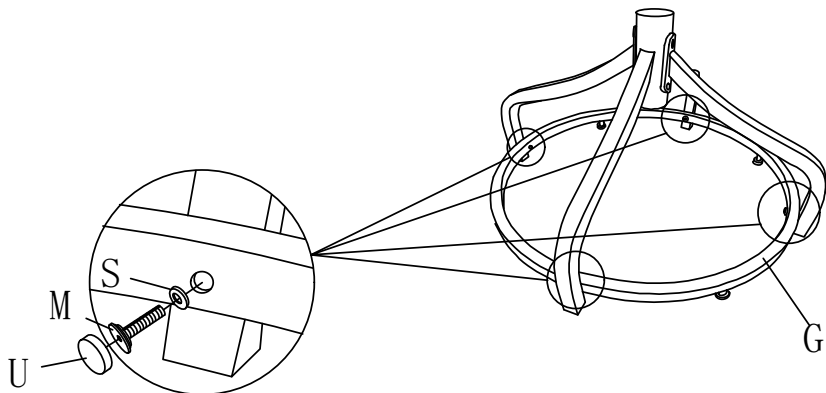


③

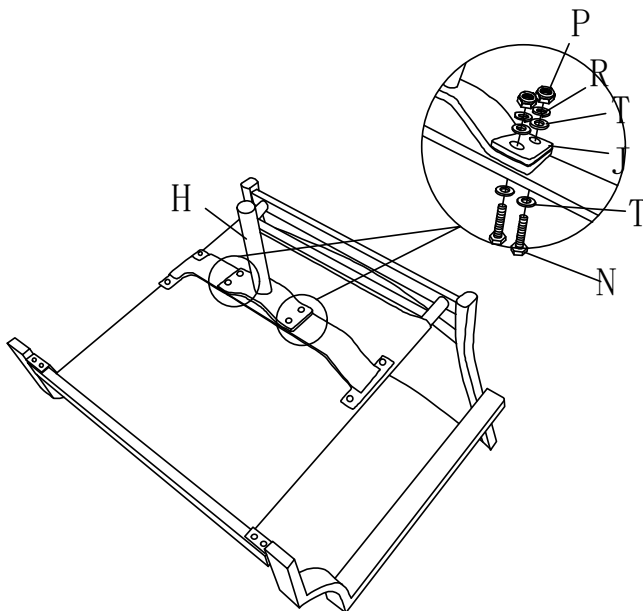


Assembly Instructions

④

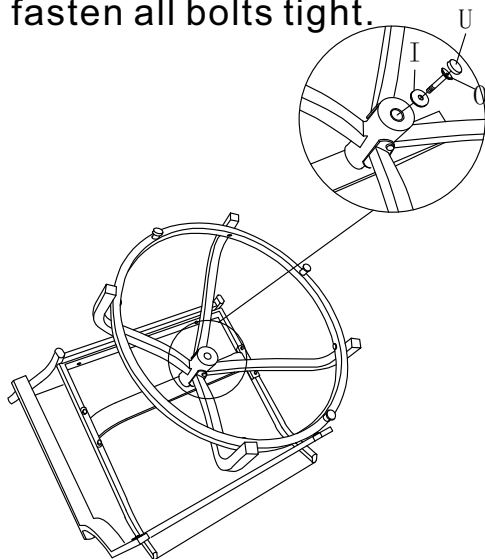


⑤



Assembly Instructions

⑥ Finally, fasten all bolts tight.



⑦

