












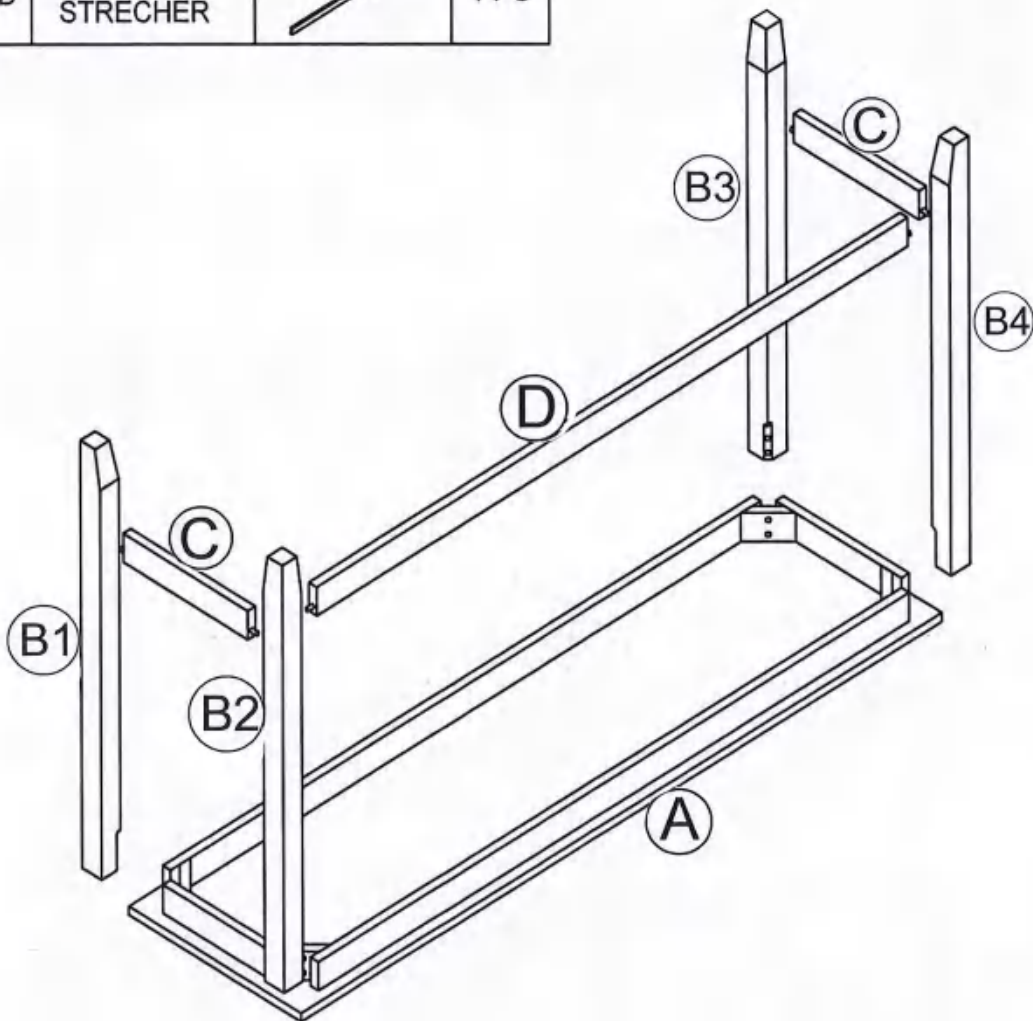


# ASSEMBLY INSTRUCTION

## DINING TABLE



PART LISTS				HARDWARE LISTS			
NO.	DESCRIPTION	SKETCH	Q'TY	NO.	DESCRIPTION	SKETCH	Q'TY
A	TABLE TOP		1 PC	1	BOLT Ø5/16" x 60mmL		8 PCS
B1	LEG 1 - L		1 PC	2	CREW Ø4 x 38mmL		6 PCS
B2	LEG 1 - L		1 PC	3	SPRING WASHER Ø5/16" x 13mmL		8 PCS
B3	LEG 1 - R		1 PC	4	FLAT WASHER Ø5/16" x 19mmL		8 PCS
B4	LEG 1 - R		1 PC	5	ALLEN KEY		1 PCS
C	SIDE STRECHER		2 PCS	6	CHOT GO Ø8 x 30mmL		6 PCS
D	SIDE STRECHER		1 PC				



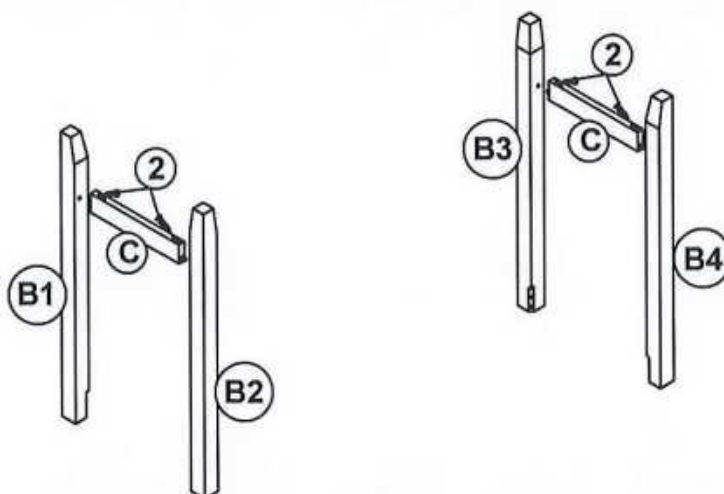
# ASSEMBLY INSTRUCTION

STEP 1:

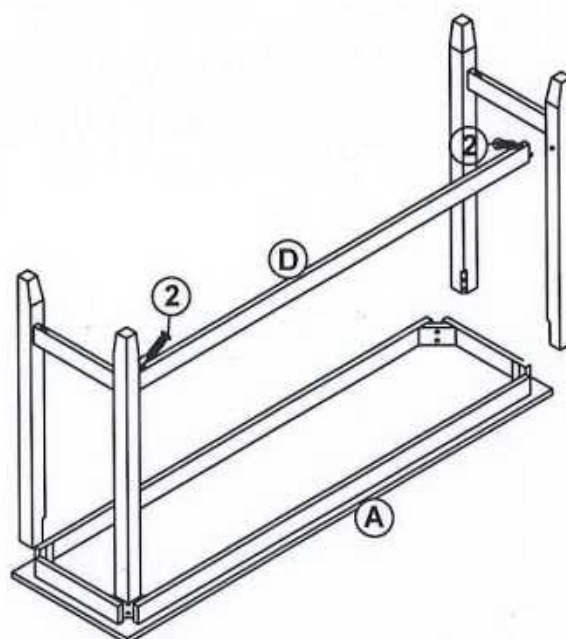
2



Ø4 x 38 - 6 PCS



STEP 2:



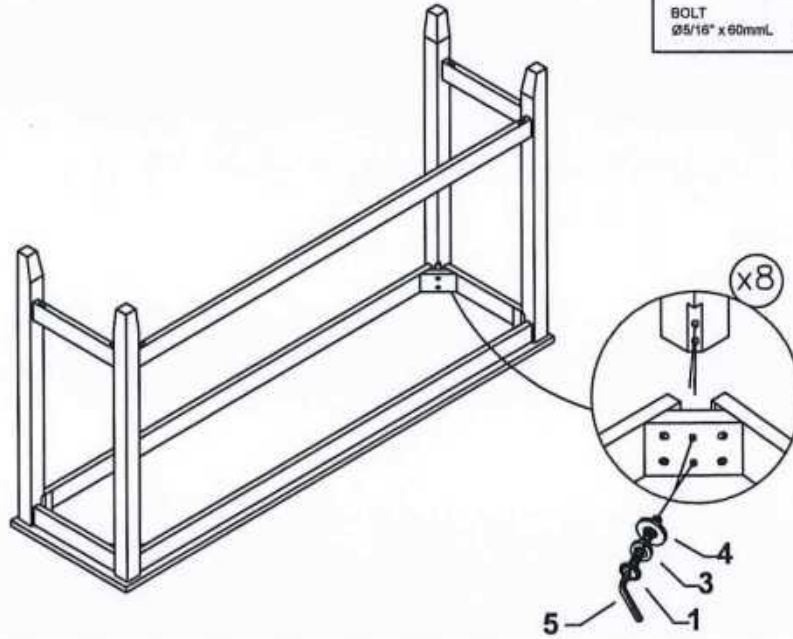
# ASSEMBLY INSTRUCTION

STEP 3:

2



BOLT  
Ø5/16" x 60mmL 8 PCS



STEP 4:

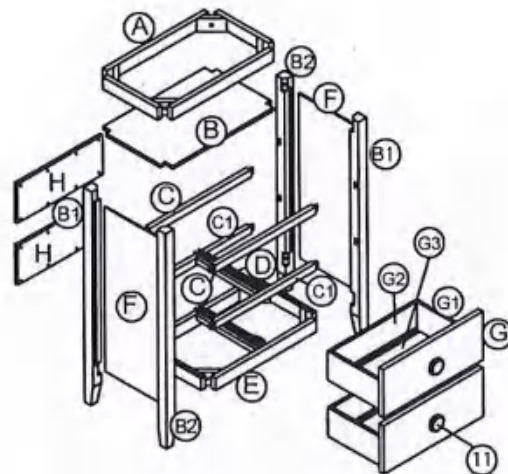


# ASSEMBLY INSTRUCTION CABINET



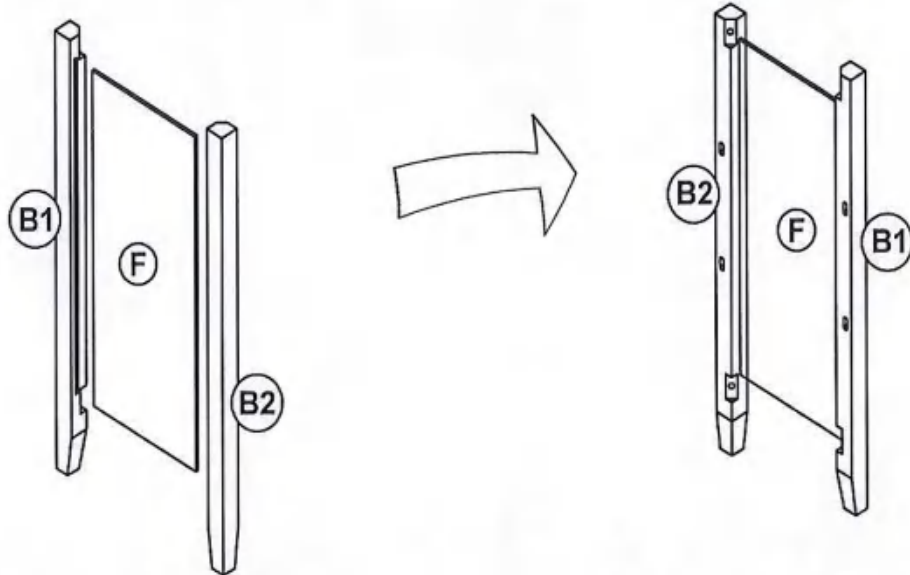
01/05

PART LISTS				HARDWARE LISTS			
NO.	DESCRIPTION	SKETCH	Q'TY	NO.	DESCRIPTION	SKETCH	Q'TY
A	FRAME-1		1 PC	1	BOLT Ø5/16" x 45mmL		8 PCS
B	PANEL		1 PC	2	Wood-screw Ø6 x 40mmL		2 PCS
B1	LEG 1 - L		2 PCS	3	CREW Ø4 x 15mmL		12 PCS
B2	LEG 2 - R		2 PCS	4	CREW Ø4 x 30mmL		16 PCS
C	SIDE STRECHER		2 PCS	5	CREW Ø3.5 x 12mmL		6 PCS
C1	SIDE STRECHER		2 PCS	6	BOLT Ø4 x 40mmL		2 PCS
D	RAIL-SHORT		1 PC	7	SPRING WASHER Ø5/16" x 13mmL		8 PCS
E	FRAME-2		1 PC	8	FLAT WASHER Ø5/16" x 19mmL		8 PCS
F	PANEL		2 PCS	9	ALLEN KEY		1 PCS
G	Drawer front		2 PCS	10	CHOT GO Ø8 x 30mmL		2 PCS
G1	Drawer left - right		4 PCS	11	HOLDER		2 PCS
G2	Drawer back		2 PCS	12	FLAT WASHER Ø4 x 13mmL		2 PCS
G3	BOTTON PANEL		2 PCS				
H	BACK PANEL		2 PCS				
J	RAIL-LONG		2 PCS				



# ASSEMBLY INSTRUCTION

STEP 1:



2



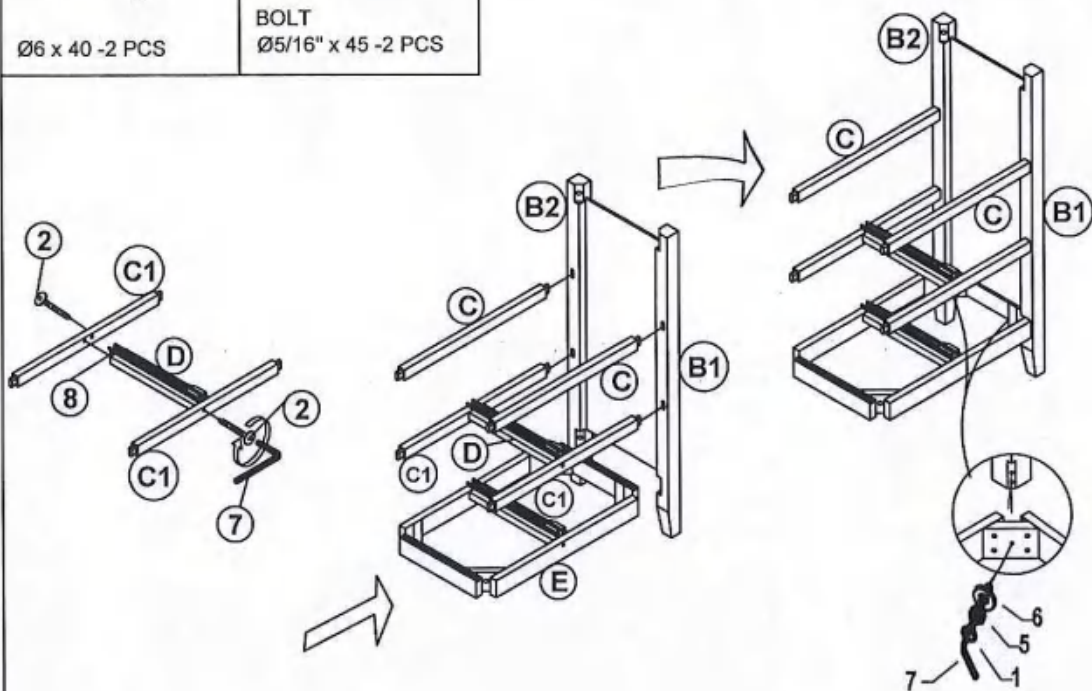
Ø6 x 40 -2 PCS

1



BOLT  
Ø5/16" x 45 -2 PCS

STEP 2:



03/05

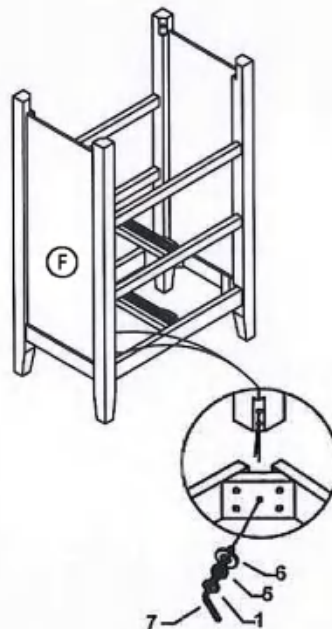
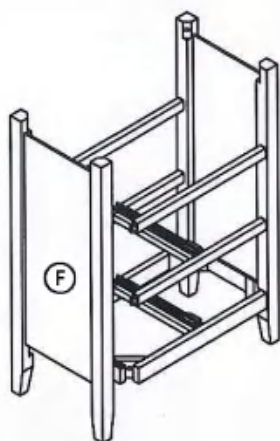
# ASSEMBLY INSTRUCTION

1

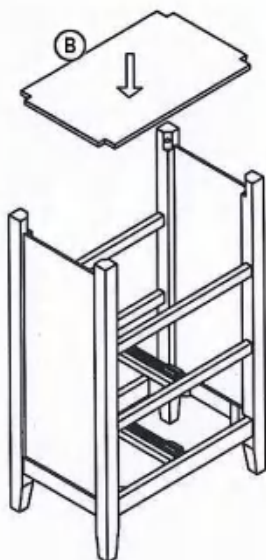


BOLT  
Ø5/16" x 45 -2 PCS

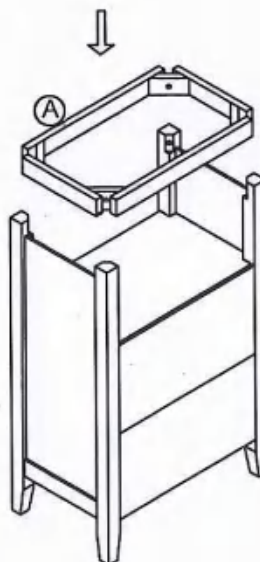
STEP 3:





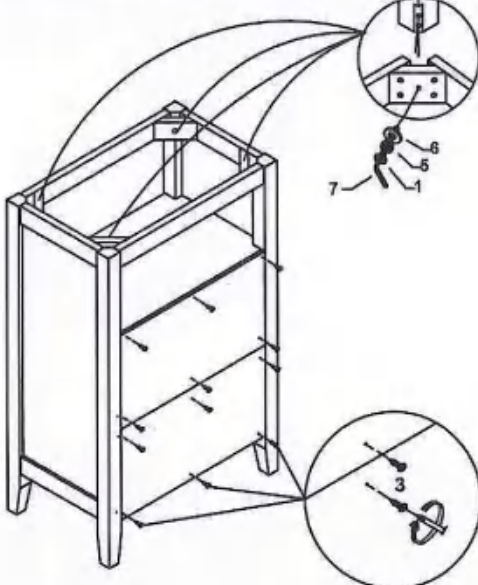


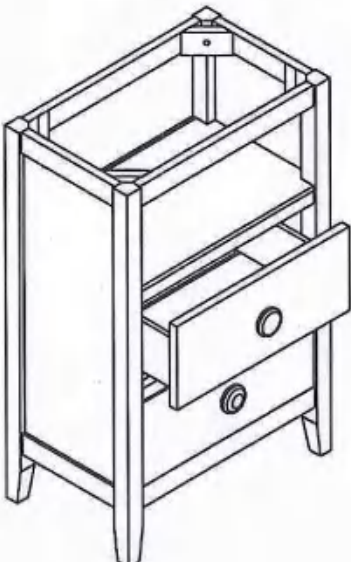
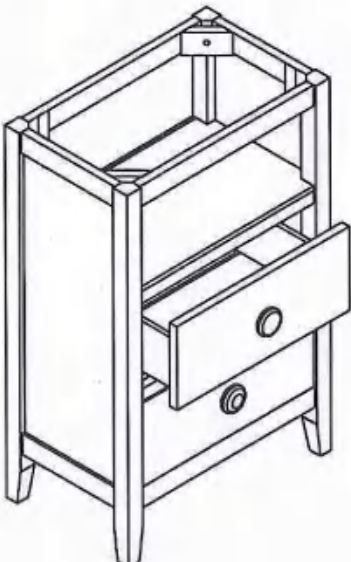
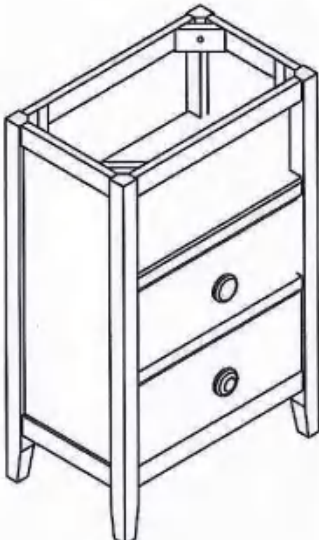
STEP 4:



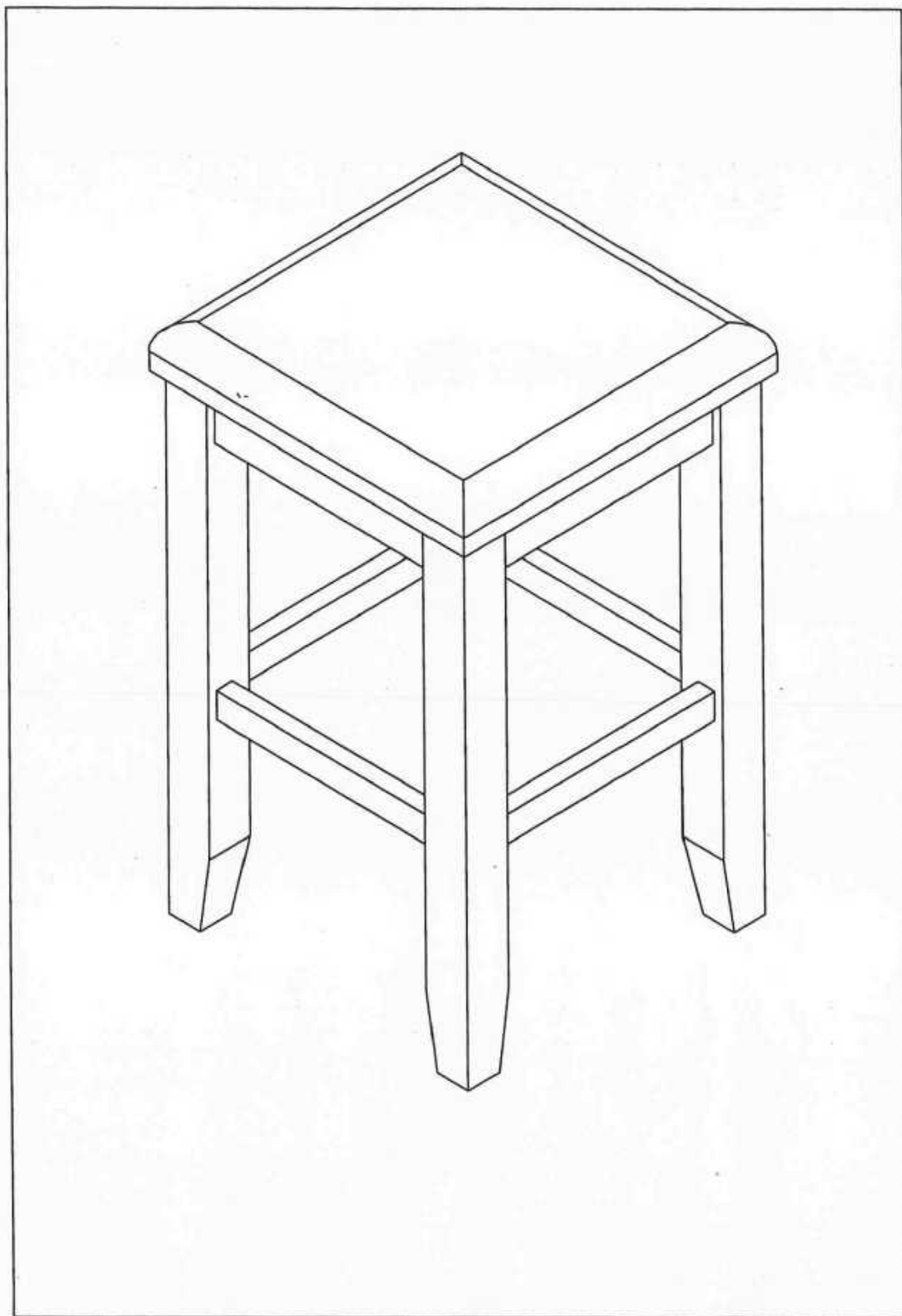
STEP 5:










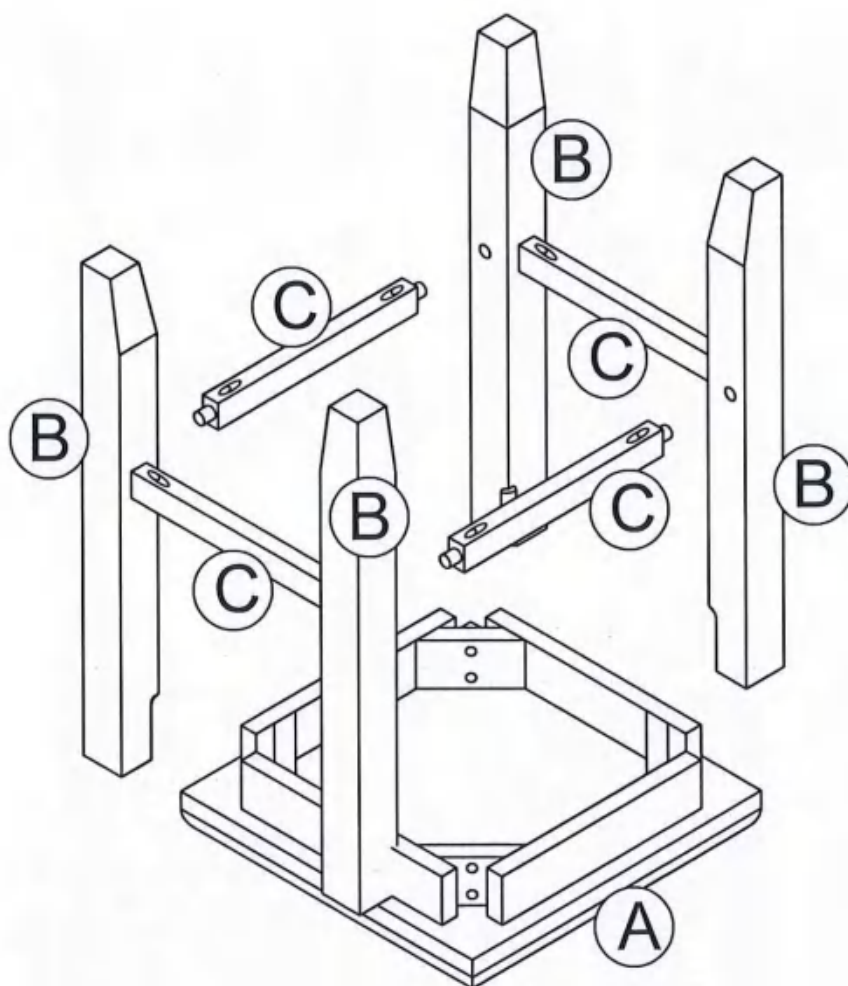
# ASSEMBLY INSTRUCTION

<p>1 </p> <p>BOLT Ø5/16" x 45 -4 PCS</p>	<p>3 </p> <p>Ø4 x 15 -12 PCS</p>	<p><b>STEP 6:</b></p> 	<p><b>STEP 7:</b></p> <p>J  4 </p> <p>RAIL 2pcs 19pcs</p>  <p>REVERSE THE PULL-UP DRAWER</p>
<p><b>STEP 8:</b></p> 		<p><b>STEP 9:</b></p> 	

# ASSEMBLY INSTRUCTION STOOL



PART LISTS				HARDWARE LISTS			
NO.	DESCRIPTION	SKETCH	Q'TY	NO.	DESCRIPTION	SKETCH	Q'TY
A	STOOL TOP		2 PCS	13	BOLT Ø5/16" x 60mmL		16 PCS
B	LEG		8 PCS	14	CREW Ø4 x 38mmL		16 PCS
C	SIDE STRECHER		8 PCS	15	SPRING WASHER Ø5/16" x 13mmL		16 PCS
				16	FLAT WASHER Ø5/16" x 19mmL		16 PCS



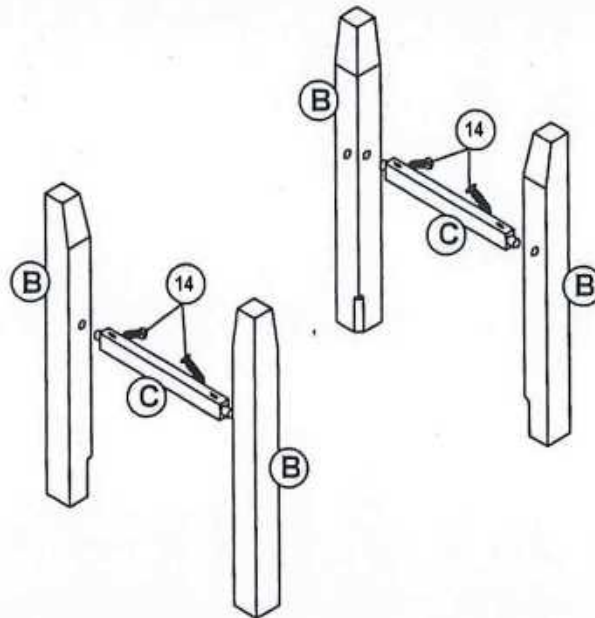
# ASSEMBLY INSTRUCTION

STEP 1:

14



Ø4 x 38 -4 PCS

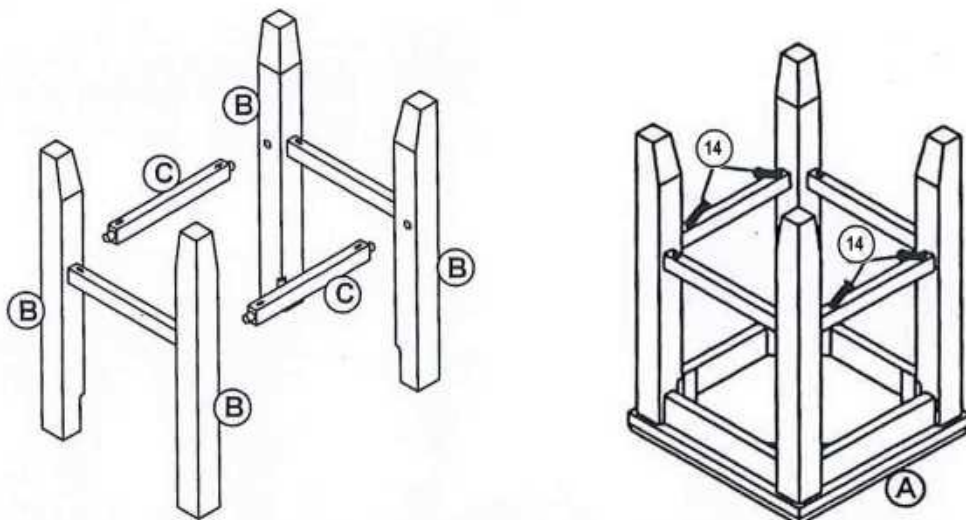


STEP 2:

14



Ø4 x 38 -4 PCS



# ASSEMBLY INSTRUCTION

STEP 3:

13



BOL  $\varnothing 5/16"$  x 60mmL - 8 PCS

15



SPRING WASHER  
 $\varnothing 5/16"$  x 13mmL - 8PCS

16



FLAT WASHER  
 $\varnothing 5/16"$  x 19mmL - 8PCS

