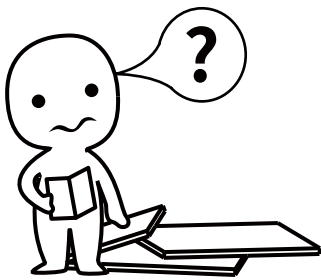


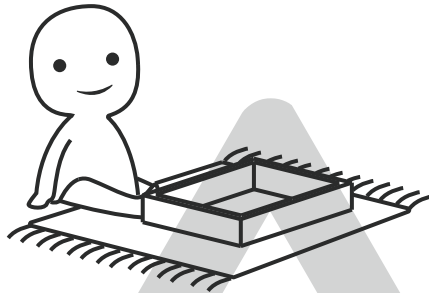
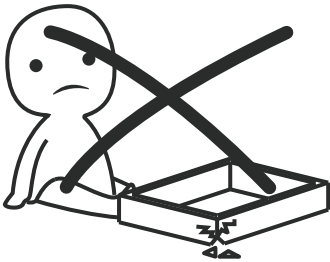
# **INSTALLATION**

*Product Manual*



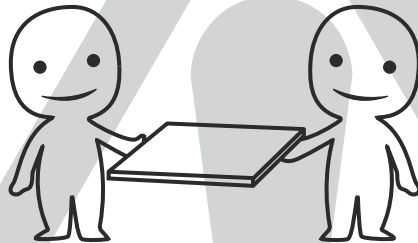
### **IMPORTANT INFORMATION!**

please read the entire manual before starting to assemble and/or using this product. follow the manual thoroughly and keep it for further reference.



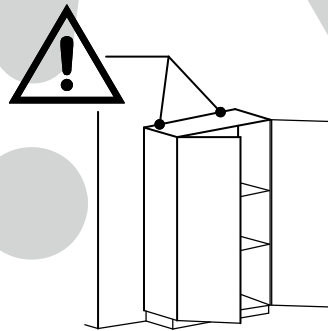
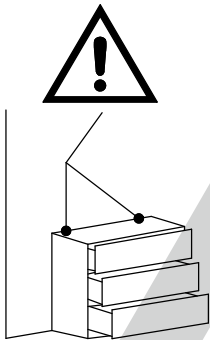
### **AVOID SCRATCHES!**

In order to avoid scratching this furniture should be assembled on a soft layer- could be a rug.



### **IMPROVE EFFICIENCY !**

Try to find a partner to install with you, which can speed up the installation efficiency and shorten the time.



### **ANTI-TOPPLE WARNING !**

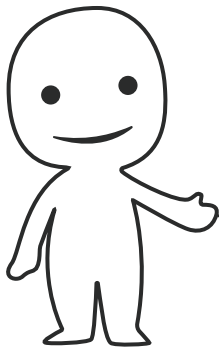
Overturned furniture can cause serious or fatal crush injuries. To prevent tipping over, be sure to use the wall attachment, if not included with this product. Please purchase the wall attachment that fit your wall. If unsure, seek professional advice. Please read and follow each step of the instructions carefully.

### **IMPORTANT !**

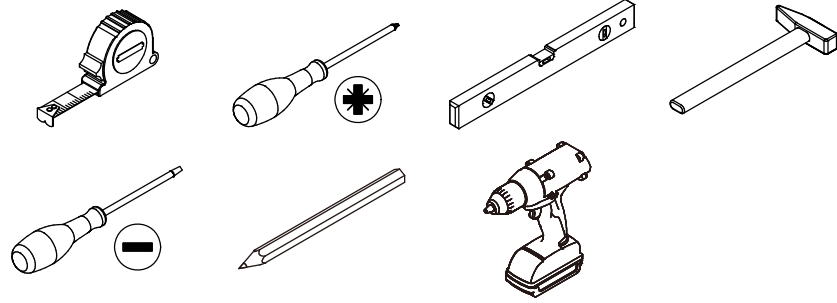
It is important that any product which is assembled using any kind of screw is re-tightened 2 weeks after assembly, and once every 3 months - in order to assure stability through-out the lifespan of the product.

For regular maintenance and cleaning of the product, for the frame, please use a rag dipped in neutral detergent to fully wipe it, and then dry it with a clean rag. For glass materials, wipe with a rag dampened with water glass cleaner, and then dry with a dry rag.

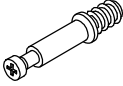
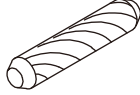
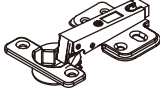
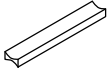
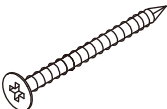
Do not use an electric screwdriver, and do not use too much force when installing, because the board is easy to break.

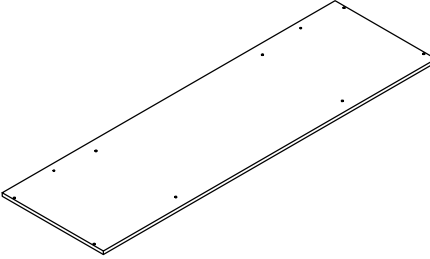

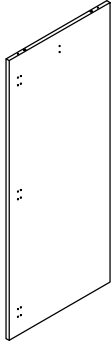
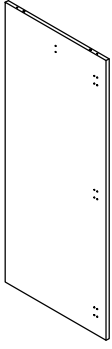
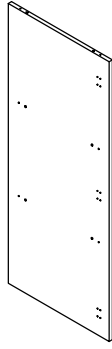
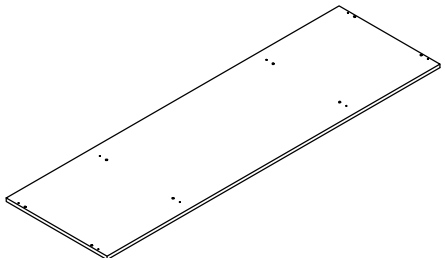
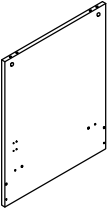
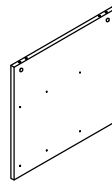
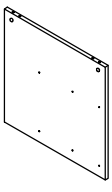
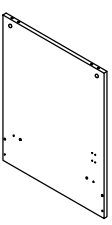
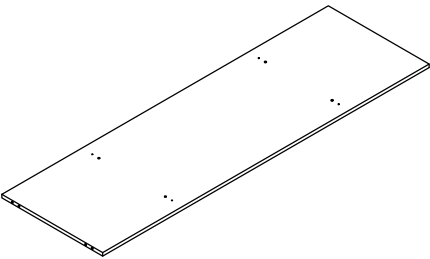
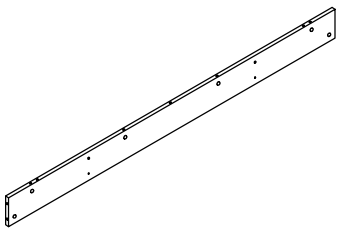
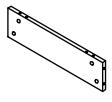
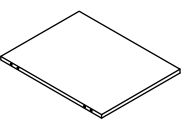
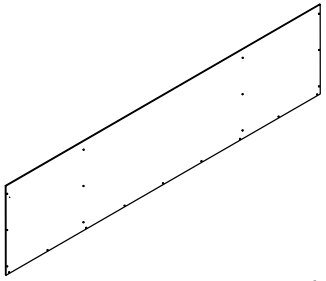


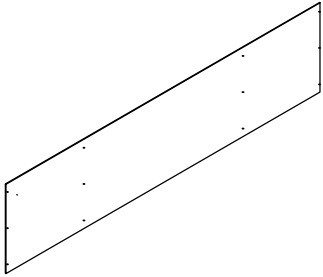
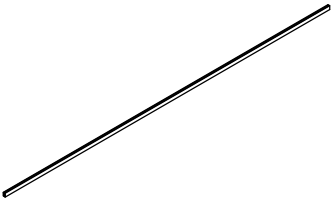
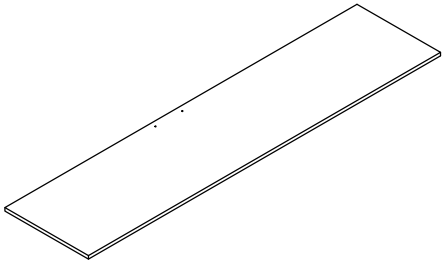
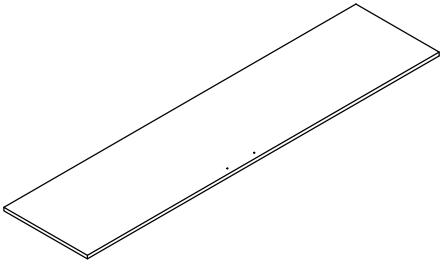
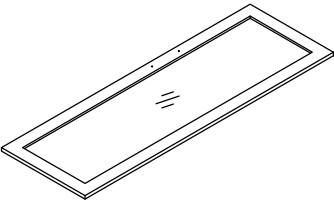
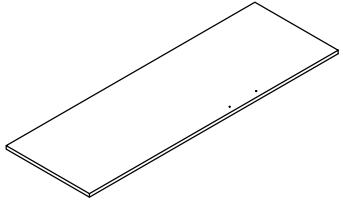
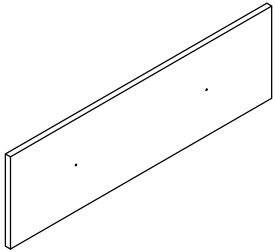
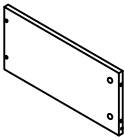
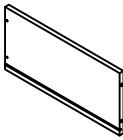
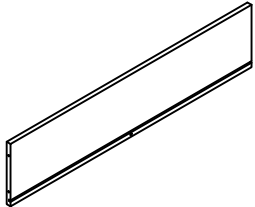
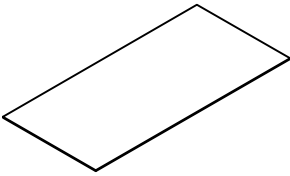
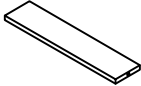

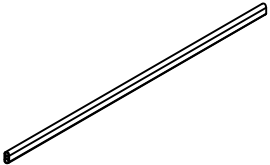
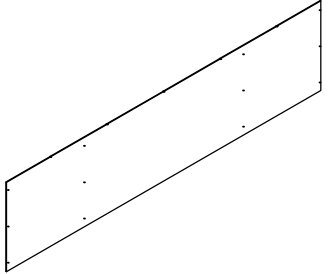
Please prepare the following tools



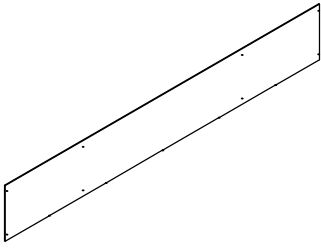
When installing, please carefully confirm whether each screw corresponds to the manual, accessories with similar shapes can be distinguished by size

<p>A x 4</p> 	<p>B x 32+1</p>  <p>Ø3 x 12 mm</p>	<p>C x 50+1</p>  <p>Ø6 x 35 mm</p>	<p>D x 58+1</p>  <p>Ø8 x 30 mm</p>	<p>E x 50+1</p>  <p>Ø15 x 10 mm</p>
<p>F x 20+1</p>  <p>Ø4 x 35 mm</p>	<p>CL x 2</p>  <p>L 350 mm</p>	<p>CR x 2</p>  <p>L 350 mm</p>	<p>J x 75+1</p>  <p>Ø3 x 12 mm</p>	<p>L x 10+1</p>  <p>Ø4 x 30 mm</p>
<p>M x 4</p> 	<p>N x 12+1</p>  <p>(N) Ø4 x 16 mm</p>	<p>DL x 2</p>  <p>L 350 mm</p>	<p>DRx 2</p>  <p>L 350 mm</p>	<p>R x 8</p> 
<p>S x 86+1</p>  <p>Ø4 x 14 mm</p>	<p>T x 4</p>  <p>L 128 mm</p>	<p>U x 6</p>  <p>(M)</p>	<p>V x 2</p> 	<p>W x 2</p> 
<p>X x 2</p>  <p>Ø4 x 40 mm</p>				

<p>①</p>  <p>1PC</p>	<p>②</p>  <p>1PC</p>	<p>③</p>  <p>1PC</p>
<p>④</p>  <p>1PC</p>	<p>⑤</p>  <p>1PC</p>	<p>⑥</p>  <p>1PC</p>
<p>⑦</p>  <p>1PC</p>	<p>⑧</p>  <p>1PC</p>	<p>⑨</p>  <p>1PC</p>
<p>⑩</p>  <p>1PC</p>	<p>⑪</p>  <p>1PC</p>	<p>⑫</p>  <p>2PCS</p>
<p>⑬</p>  <p>2PCS</p>	<p>⑭</p>  <p>2PCS</p>	<p>⑮</p>  <p>1PC</p>
<p>4/28</p>		

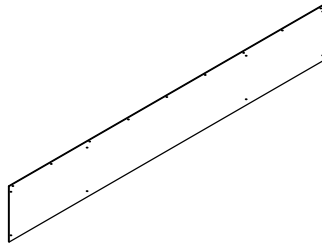
<p>①⑥</p>  <p>1PC</p>	<p>①⑦</p>  <p>3PCS</p>	<p>①⑧</p>  <p>1PC</p>
<p>①⑨</p>  <p>1PC</p>	<p>②⑩</p>  <p>1PC</p>	<p>②①</p>  <p>1PC</p>
<p>②②</p>  <p>2PCS</p>	<p>②③</p>  <p>2PCS</p>	<p>②④</p>  <p>2PCS</p>
<p>②⑤</p>  <p>2PCS</p>	<p>②⑥</p>  <p>2PCS</p>	<p>②⑦</p>  <p>2PCS</p>
<p>②⑧</p>  <p>1PC</p>	<p>②⑨</p>  <p>1PC</p>	<p>③⑩</p>  <p>1PC</p>
<p>5/28</p>		

31

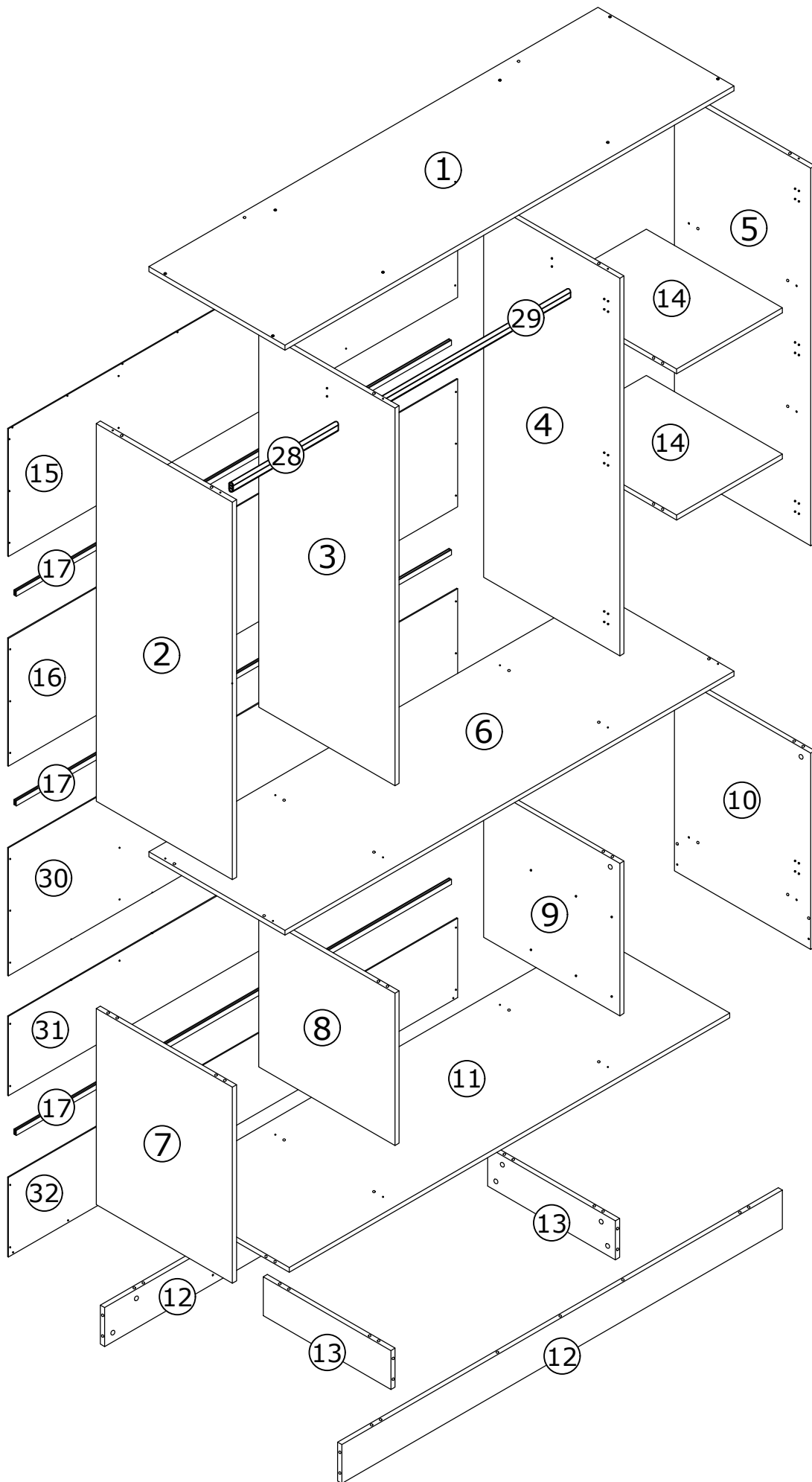


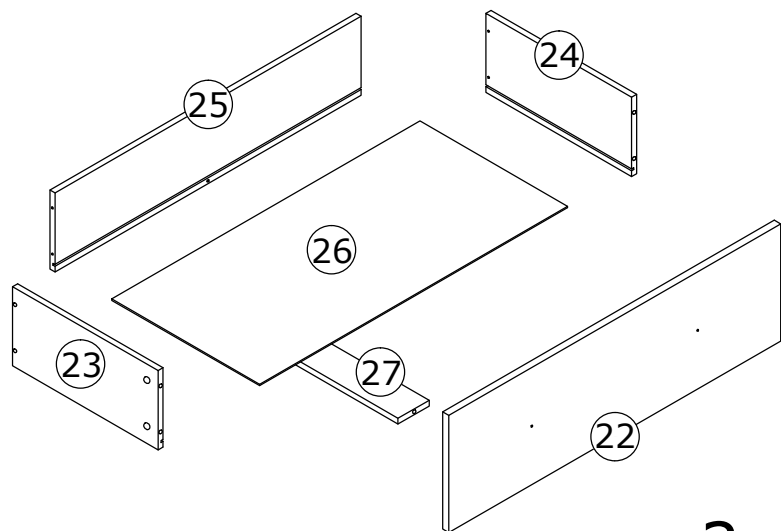
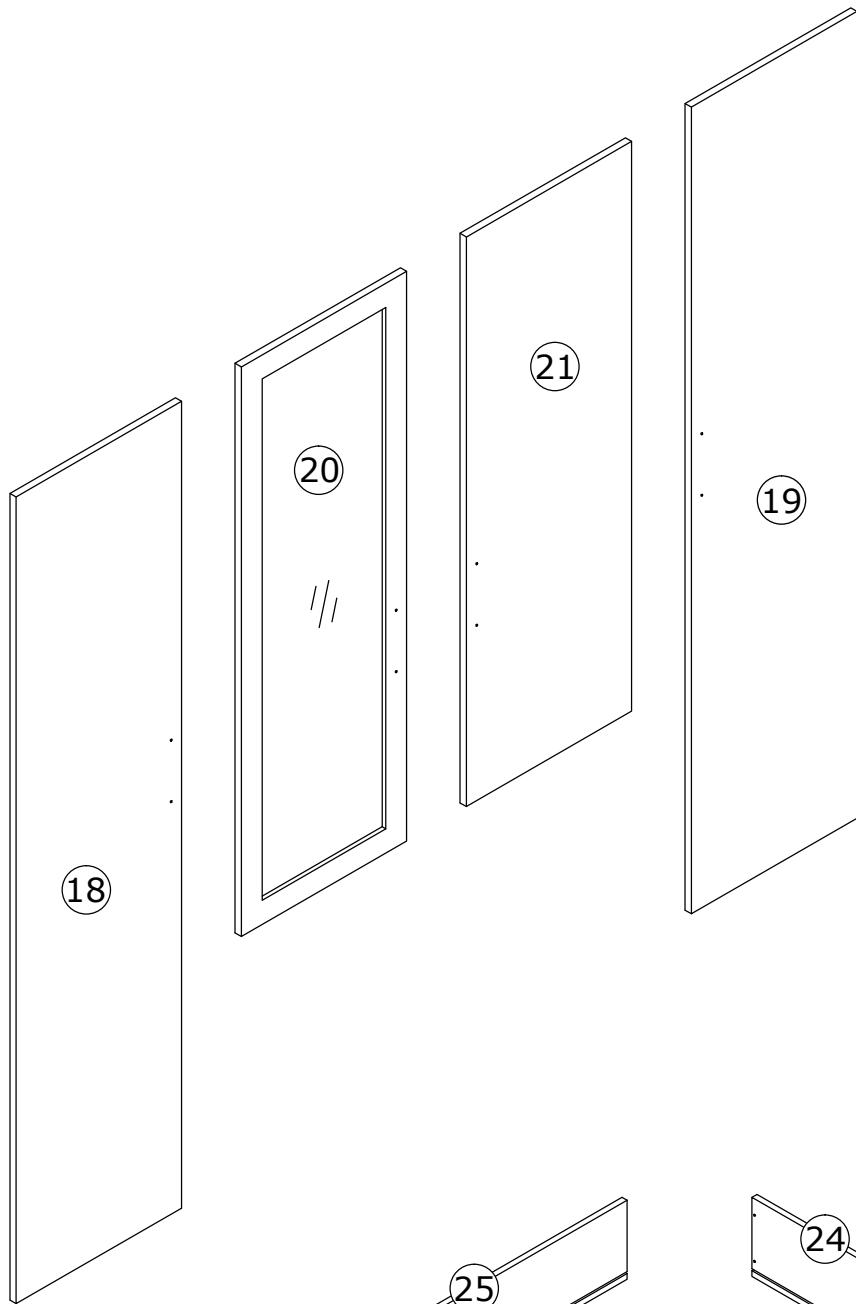
1PC

32



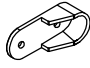

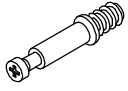
1PC

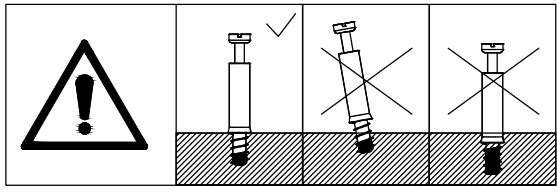
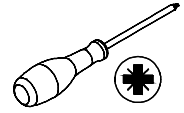




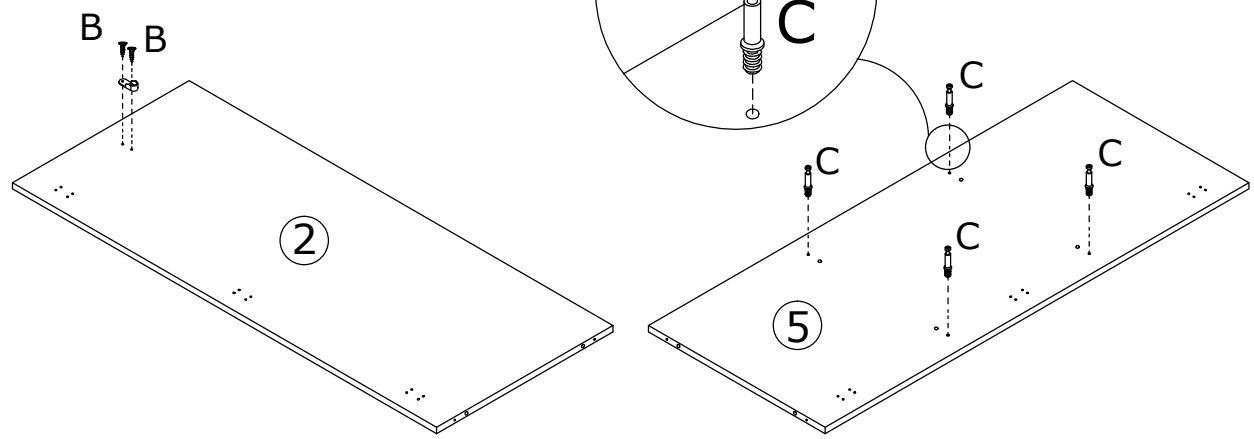
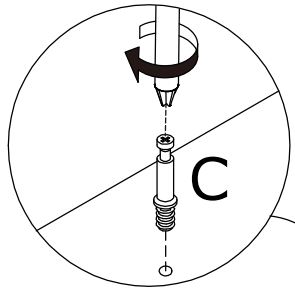
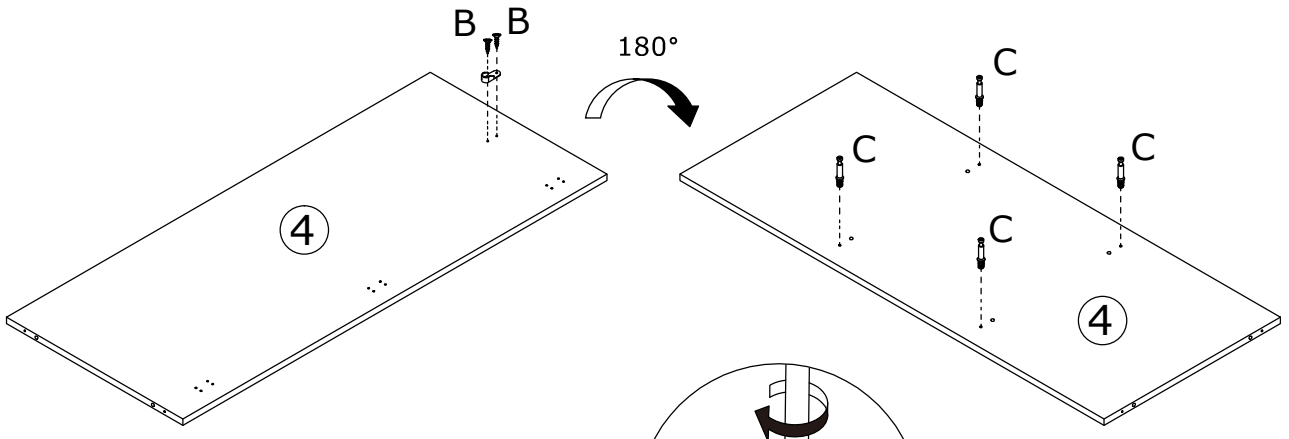
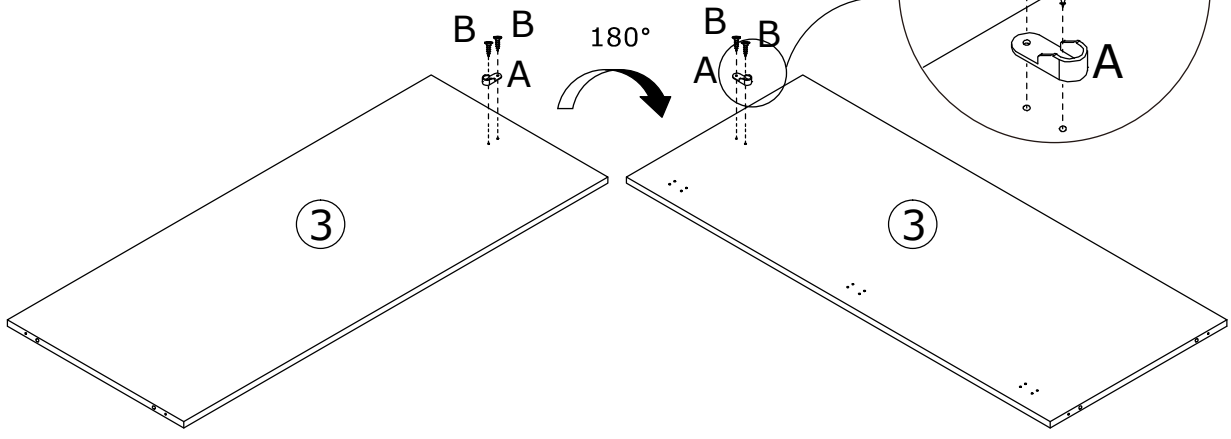
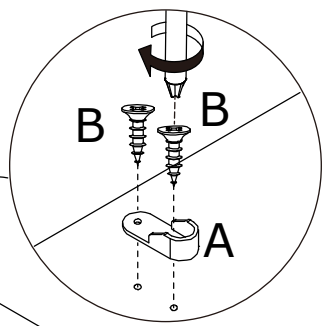
x 2

1

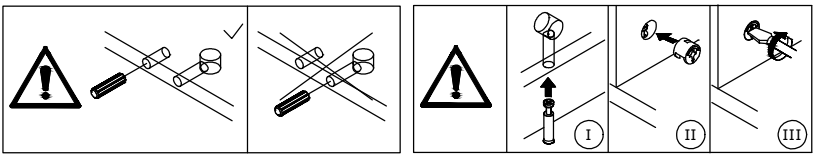
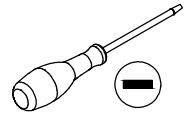
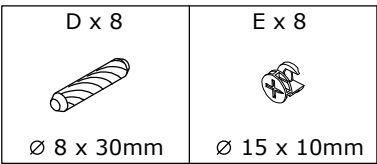
A x 4 	B x 8  Ø 3 x 12mm	C x 8  Ø 6 x 35mm
--	--	--



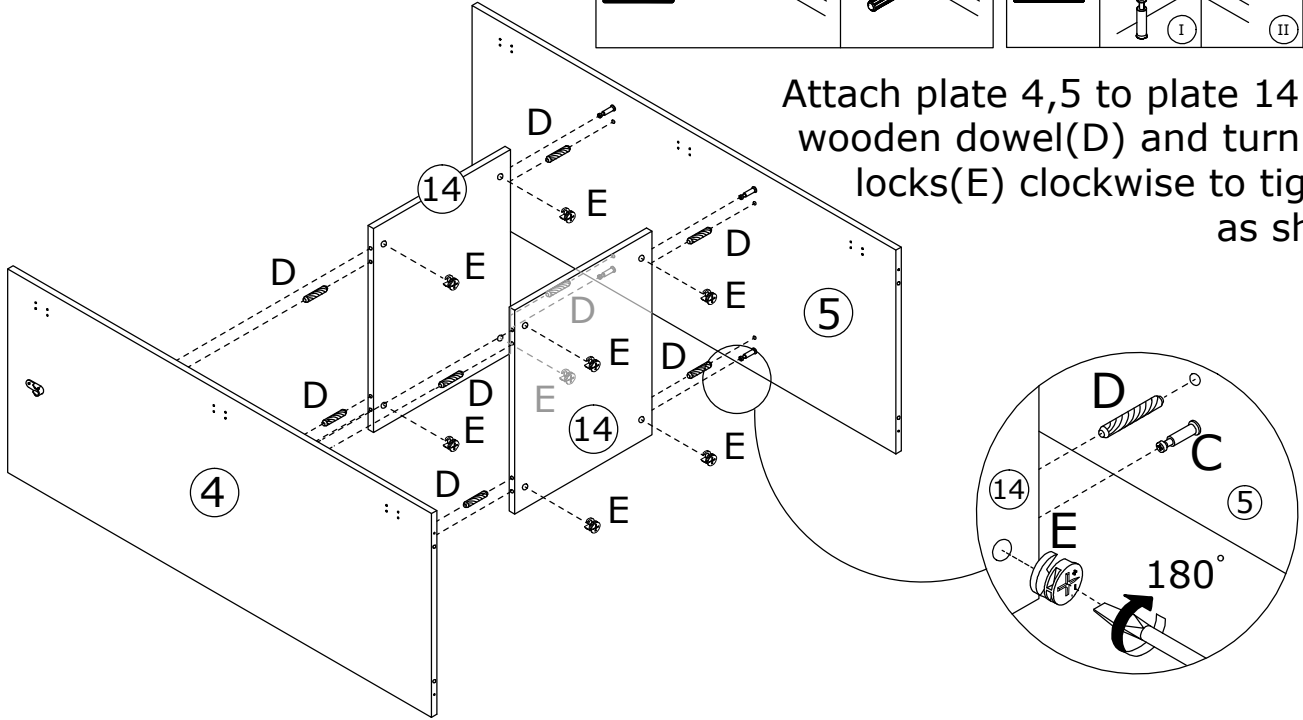
Fix part(A) to both sides of plate 3 and plate 4,2 with screw(B) as shown.  
Insert quickfit screw(C) into corresponding holes in plate 4,5 with a screwdriver as shown.



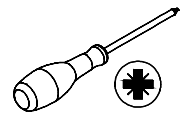
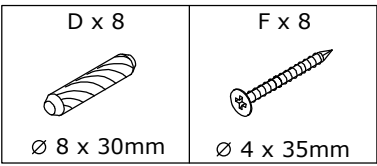
2



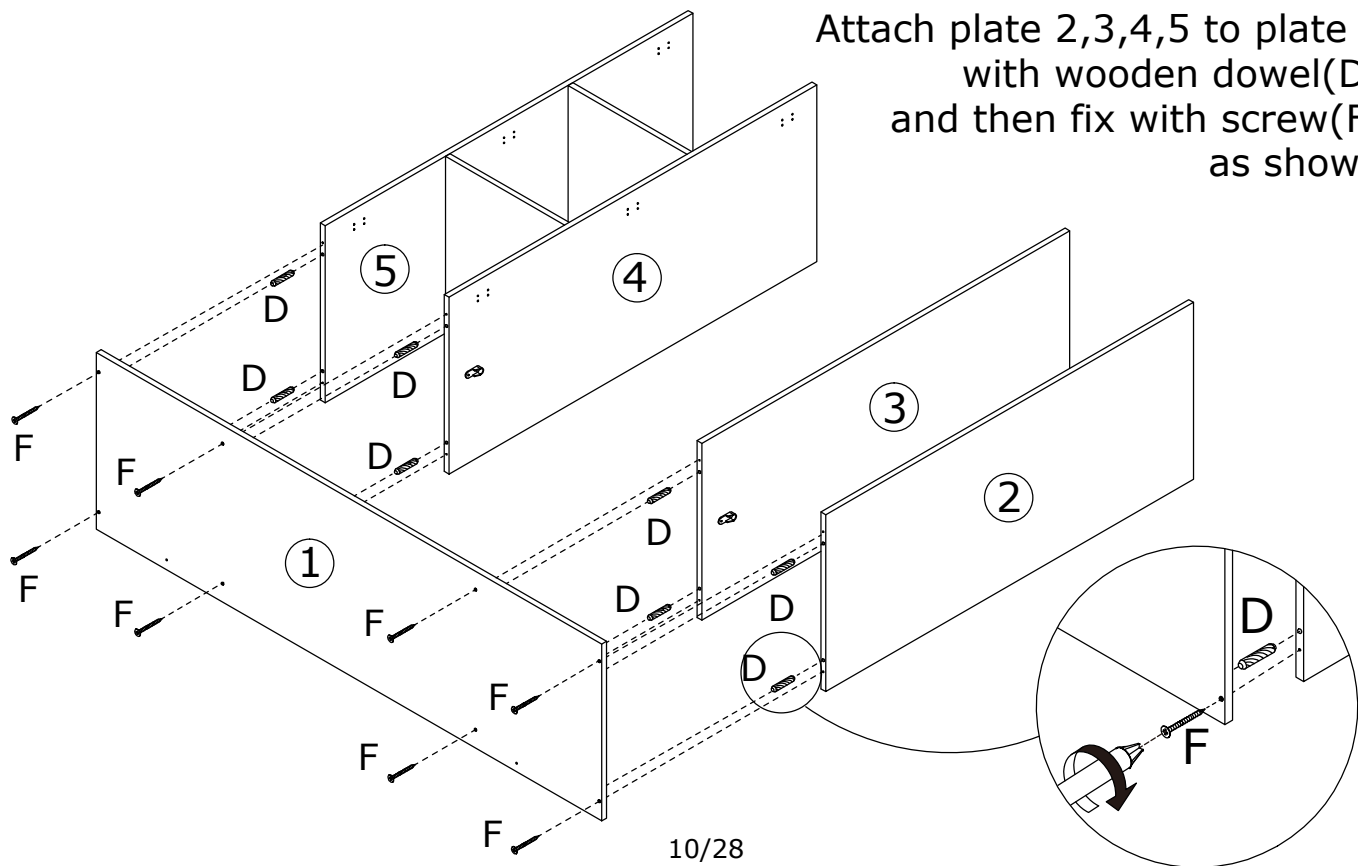
Attach plate 4,5 to plate 14 with wooden dowel(D) and turn cam locks(E) clockwise to tighten as shown.



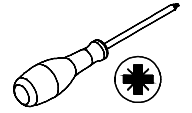
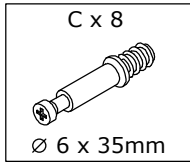
3



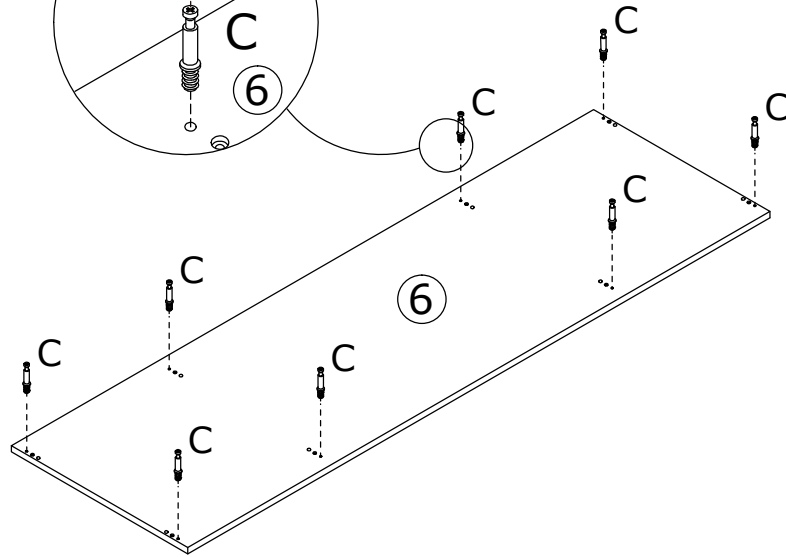
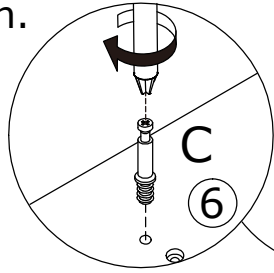
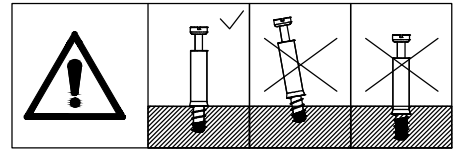
Attach plate 2,3,4,5 to plate 1 with wooden dowel(D) and then fix with screw(F) as shown.



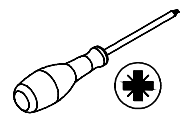
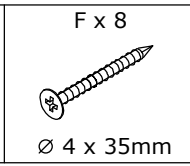
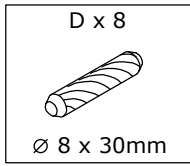
4



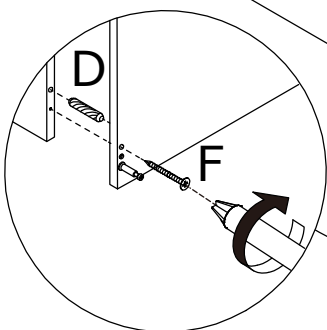
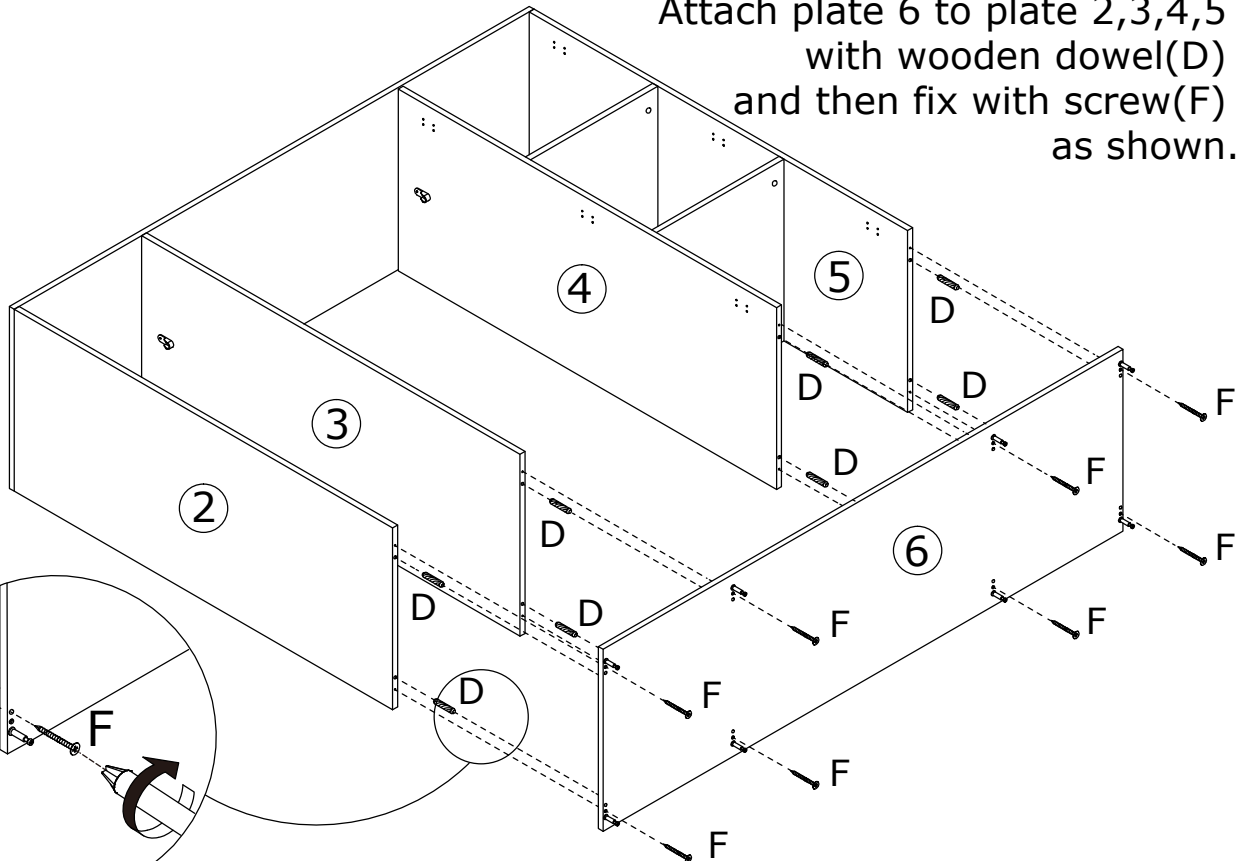
Insert quickfit screw (C) into corresponding holes in plate 6 with a screwdriver as shown.



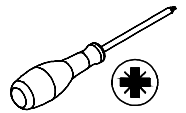
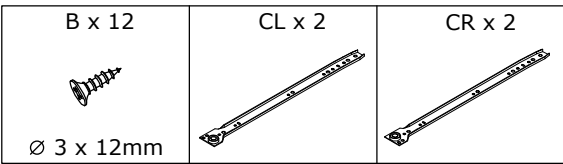
5



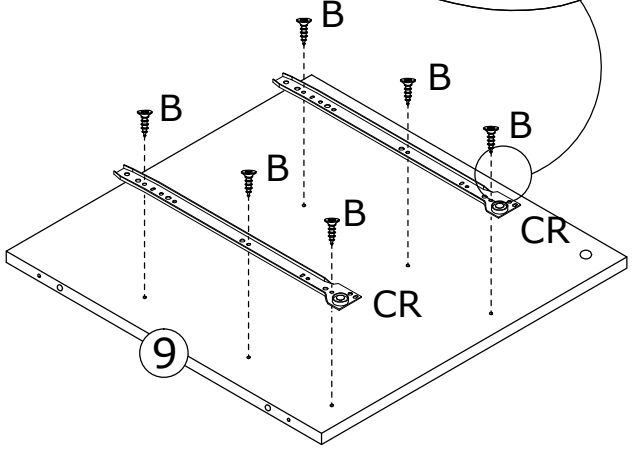
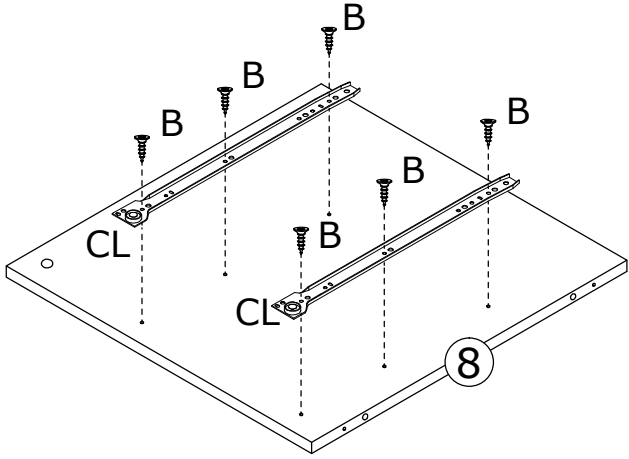
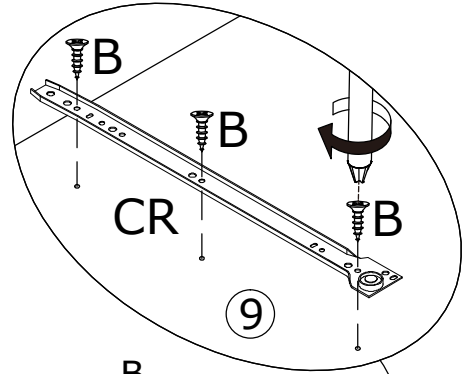
Attach plate 6 to plate 2,3,4,5 with wooden dowel (D) and then fix with screw (F) as shown.



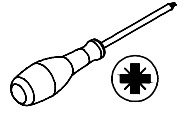
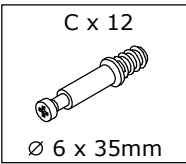
6



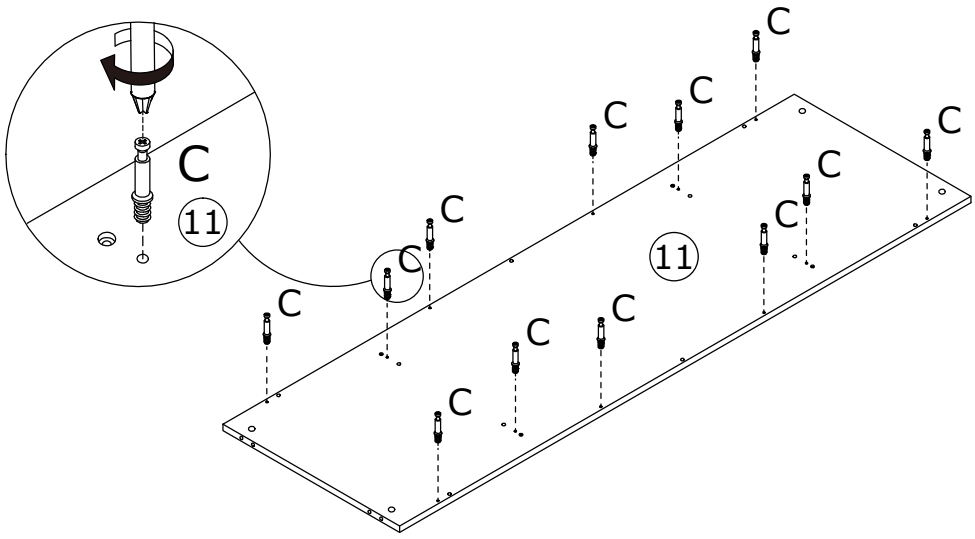
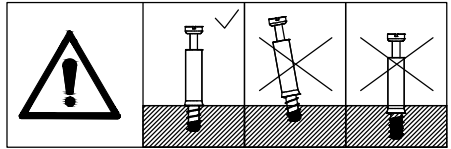
Fix slide rail(CL) and (CR) to plate 8 and 9 respectively with screw(B) as shown. Please pay attention to the holes where the accessories are inserted.



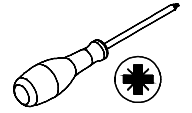
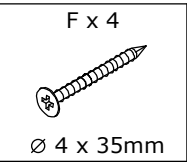
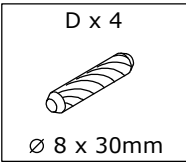
7



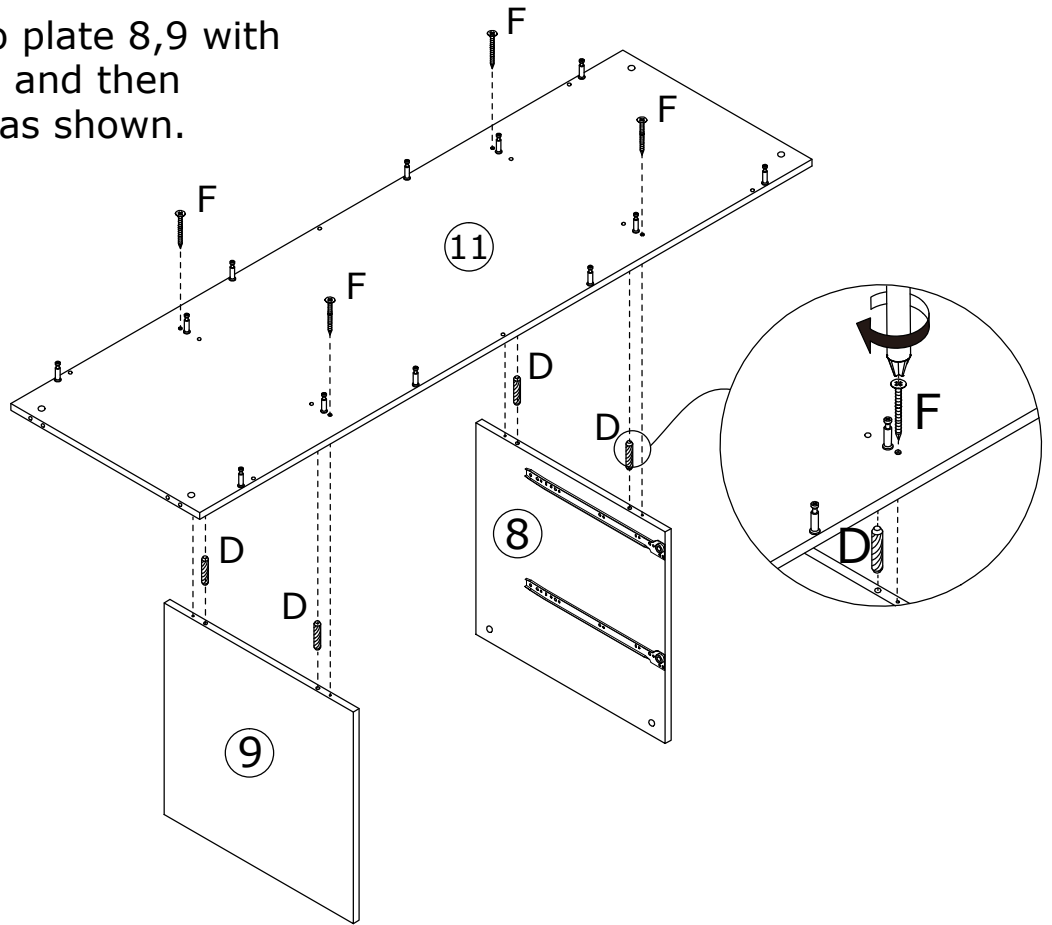
Insert quickfit screw(C) into corresponding holes in plate 11 with a screwdriver as shown.



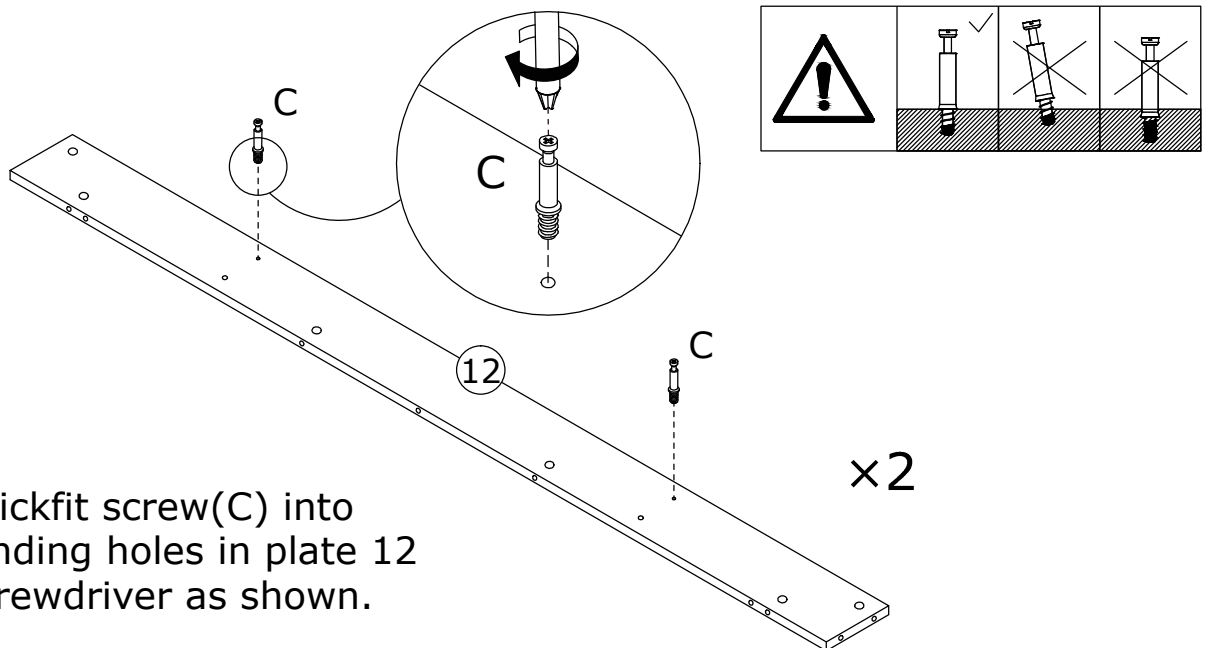
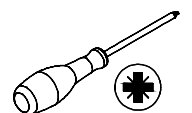
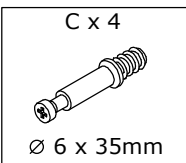
8



Attach plate 11 to plate 8,9 with wooden dowel(D) and then fix with screw(F) as shown.



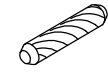
9



Insert quickfit screw(C) into corresponding holes in plate 12 with a screwdriver as shown.

# 10

T x 4

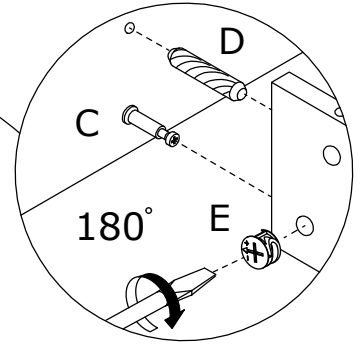
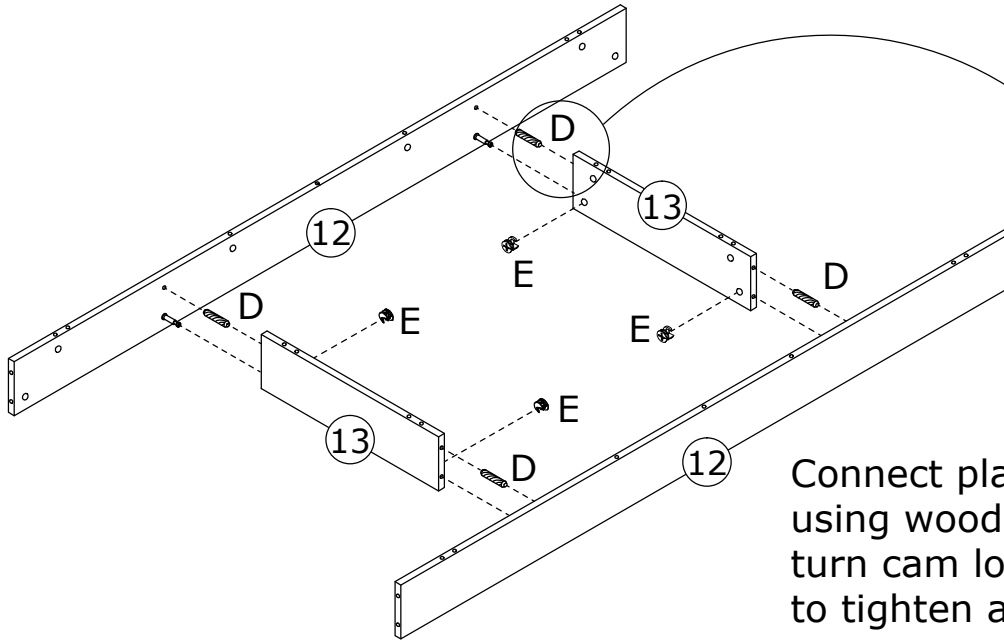
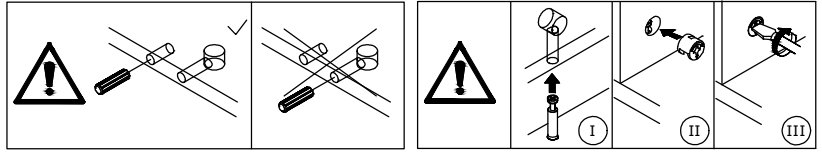
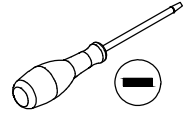


∅ 8 x 30mm

E x 4



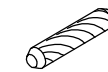
∅ 15 x 10mm



Connect plate 12 with plate 13 using wooden dowel(D) and turn cam locks(E) clockwise to tighten as shown.

# 11

D x 10

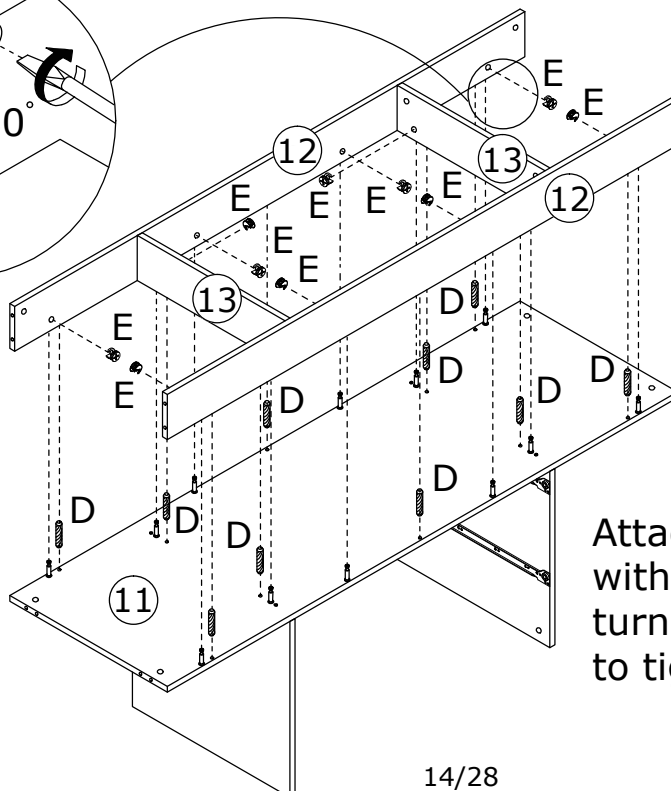
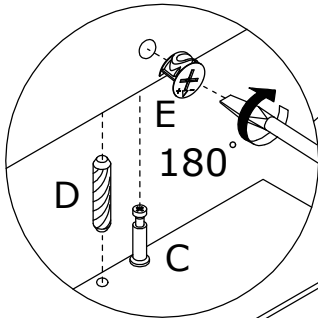
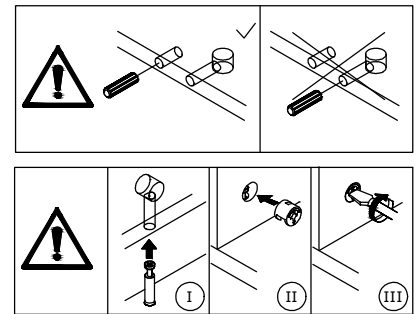
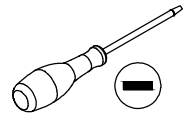


∅ 8 x 30mm

E x 12



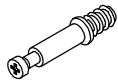
∅ 15 x 10mm



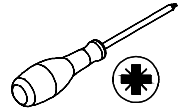
Attach plate 12,13 to plate 11 with wooden dowel(D) and turn cam locks(E) clockwise to tighten as shown.

# 12

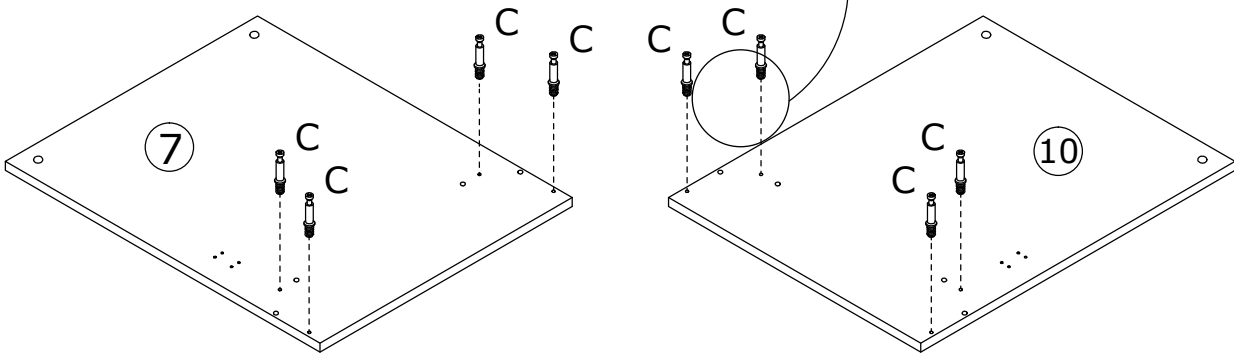
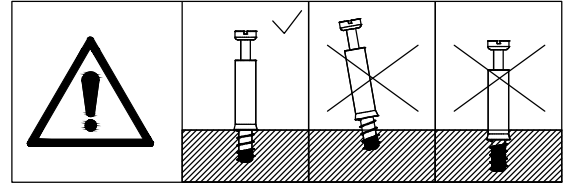
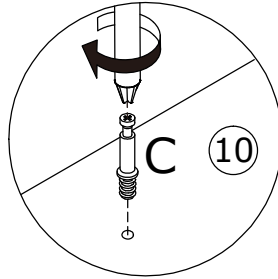
C x 8



Ø 6 x 35mm



Insert quickfit screw(C) into corresponding holes in plate 7,10 with a screwdriver as shown.



# 13

D x 8

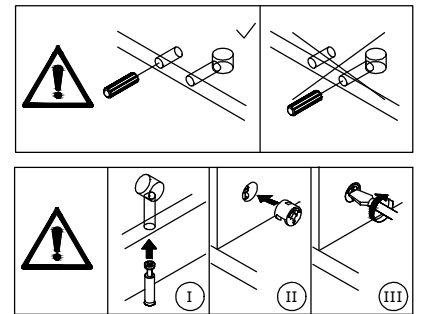
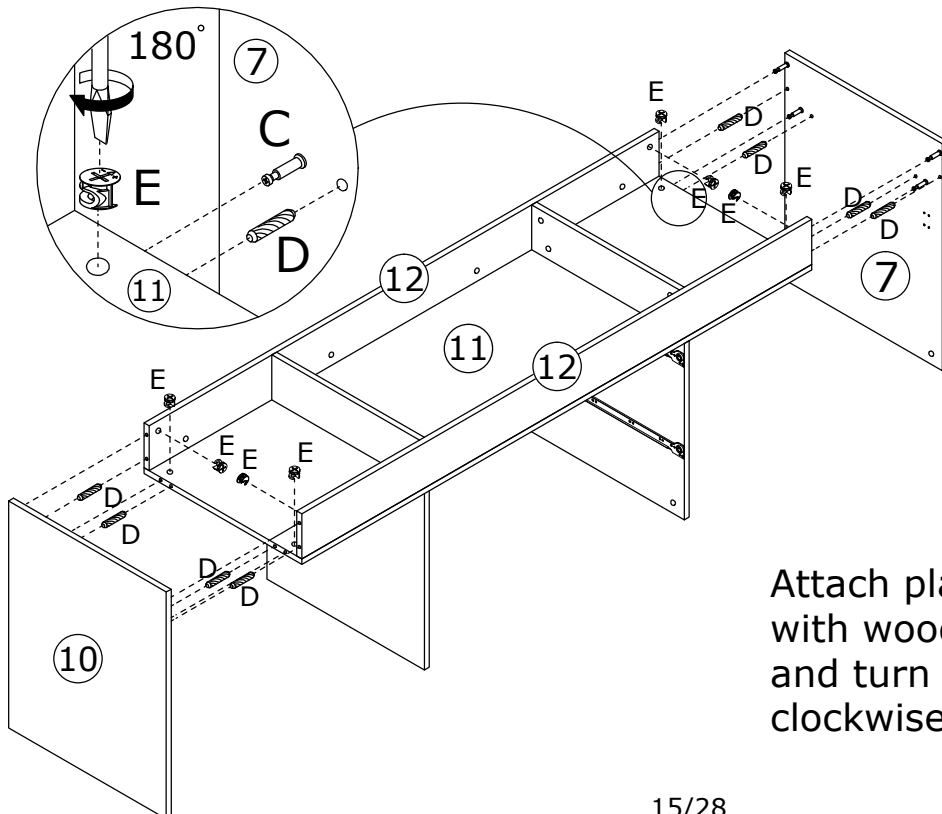
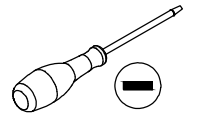


Ø 8 x 30mm

E x 8

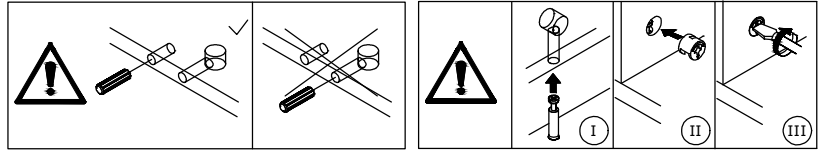


Ø 15 x 10mm



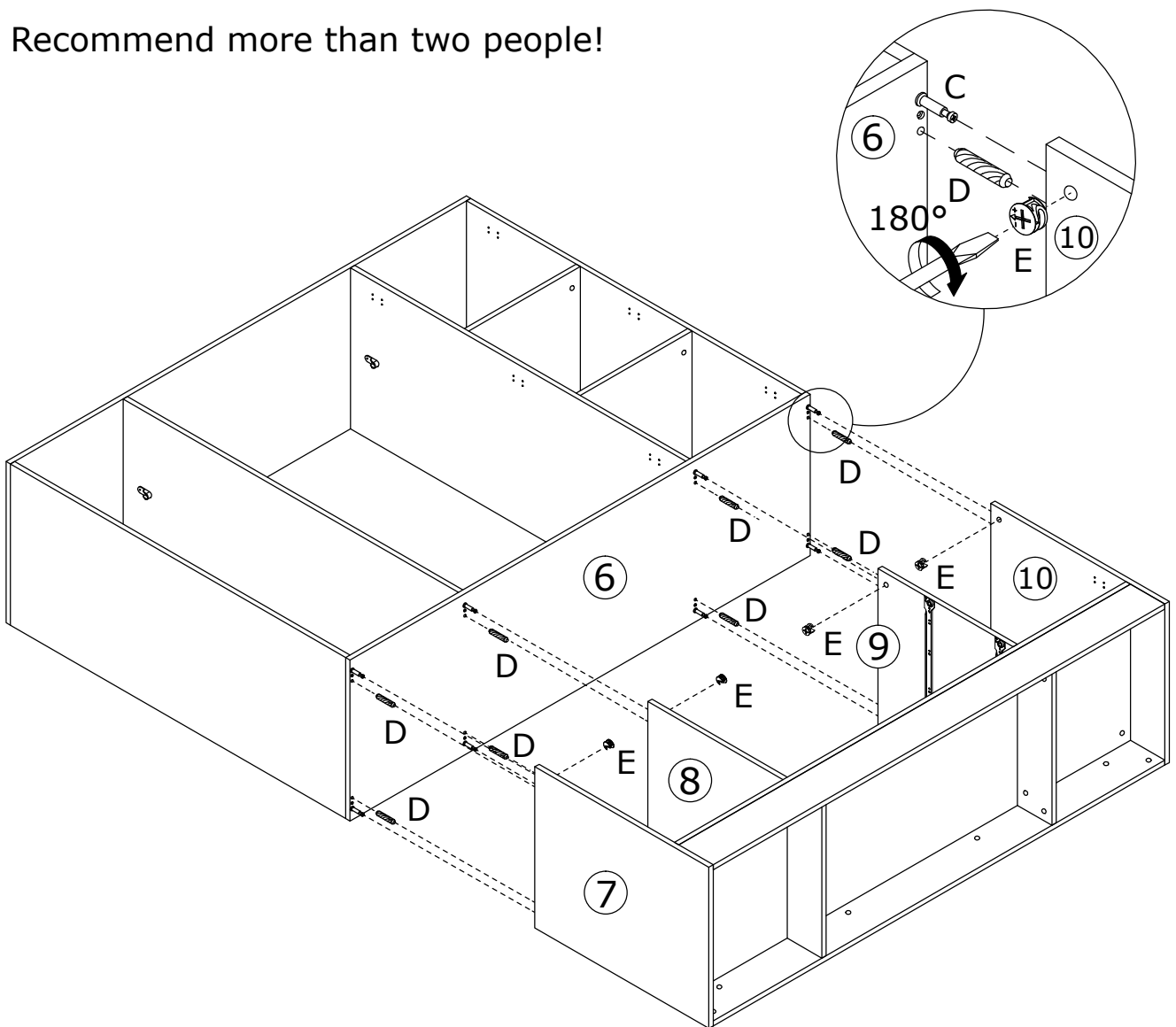
Attach plate 7,10 to plate 12 with wooden dowel(D) and turn cam locks(E) clockwise to tighten as shown.

# 14



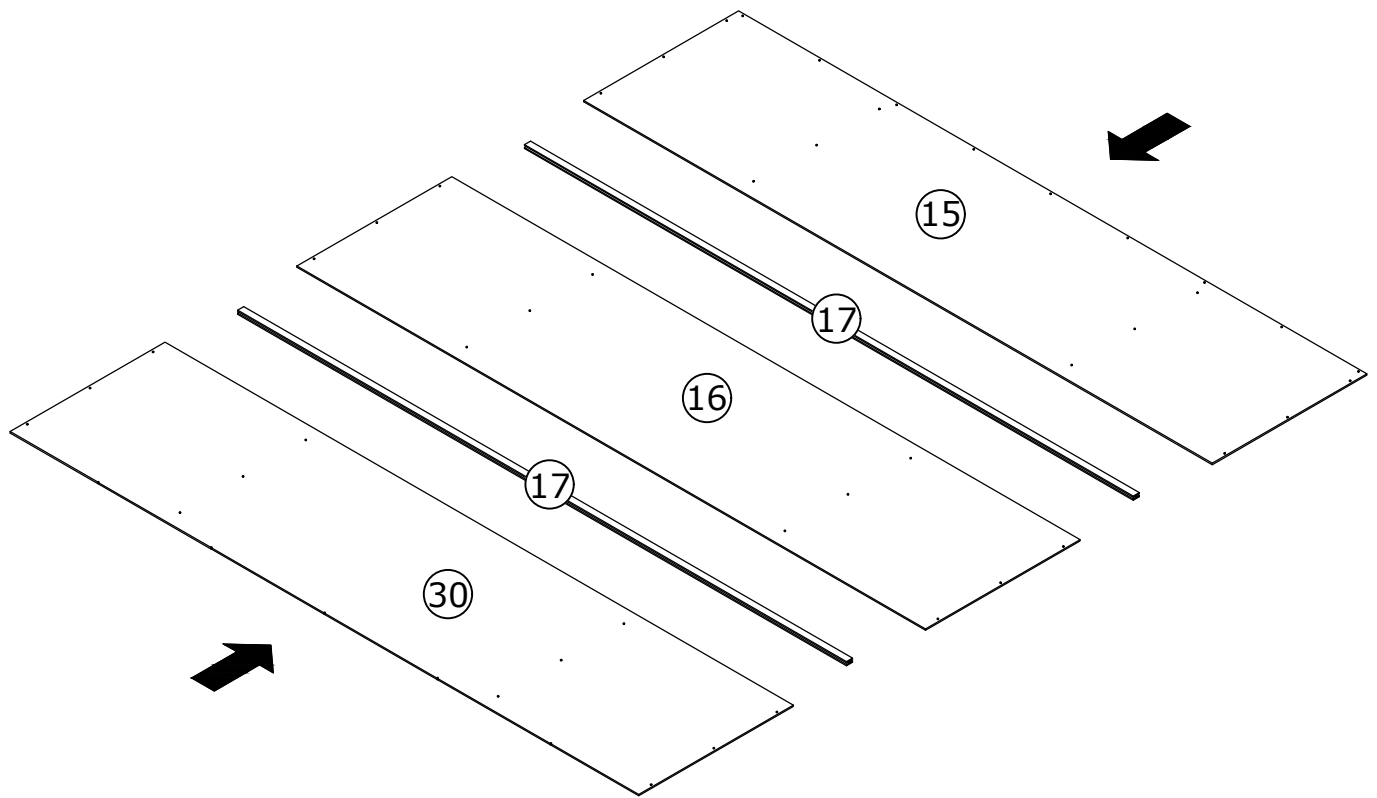
Connect two assembled components with wooden dowel(D) and turn cam locks(E) clockwise to tighten as shown.

Recommend more than two people!

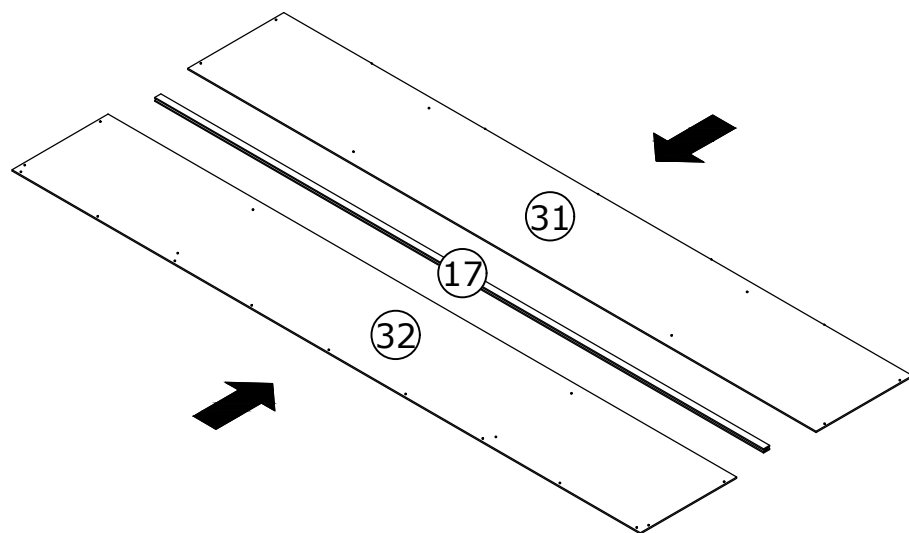


# 15

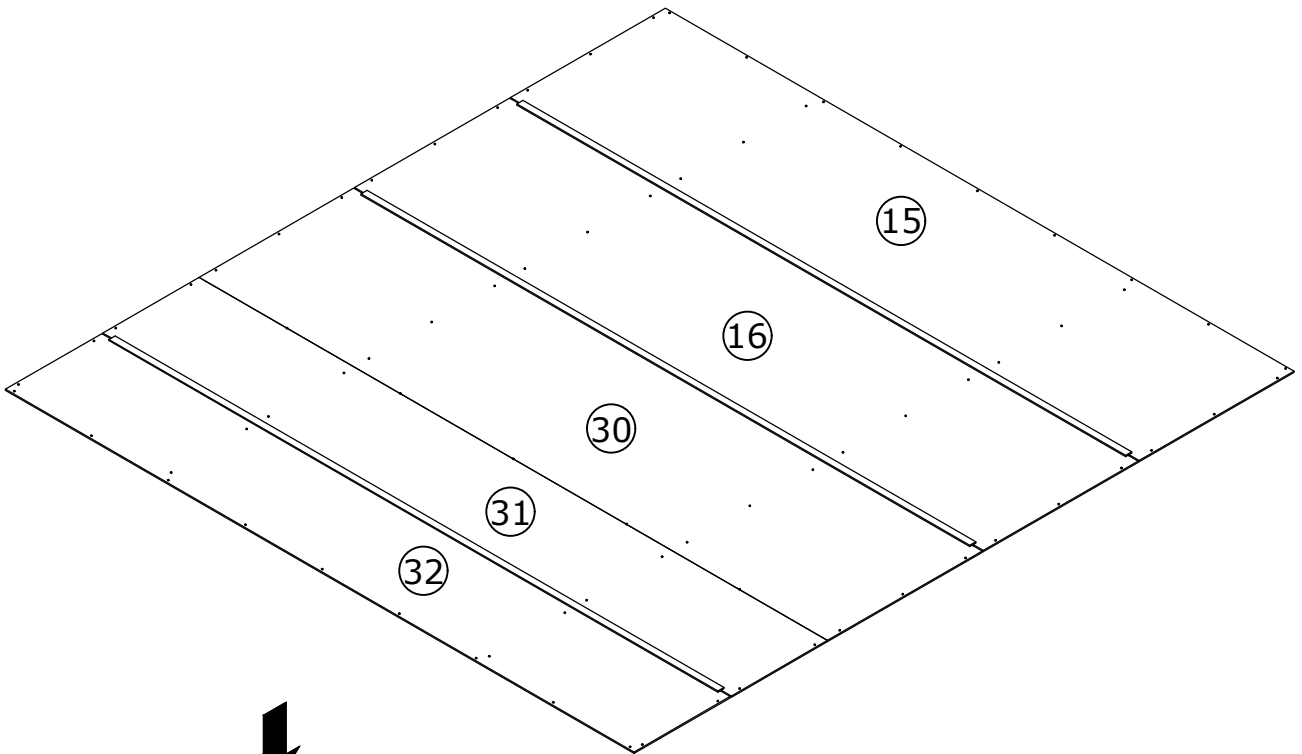
Connect plate 15.16.30 with plank 17.



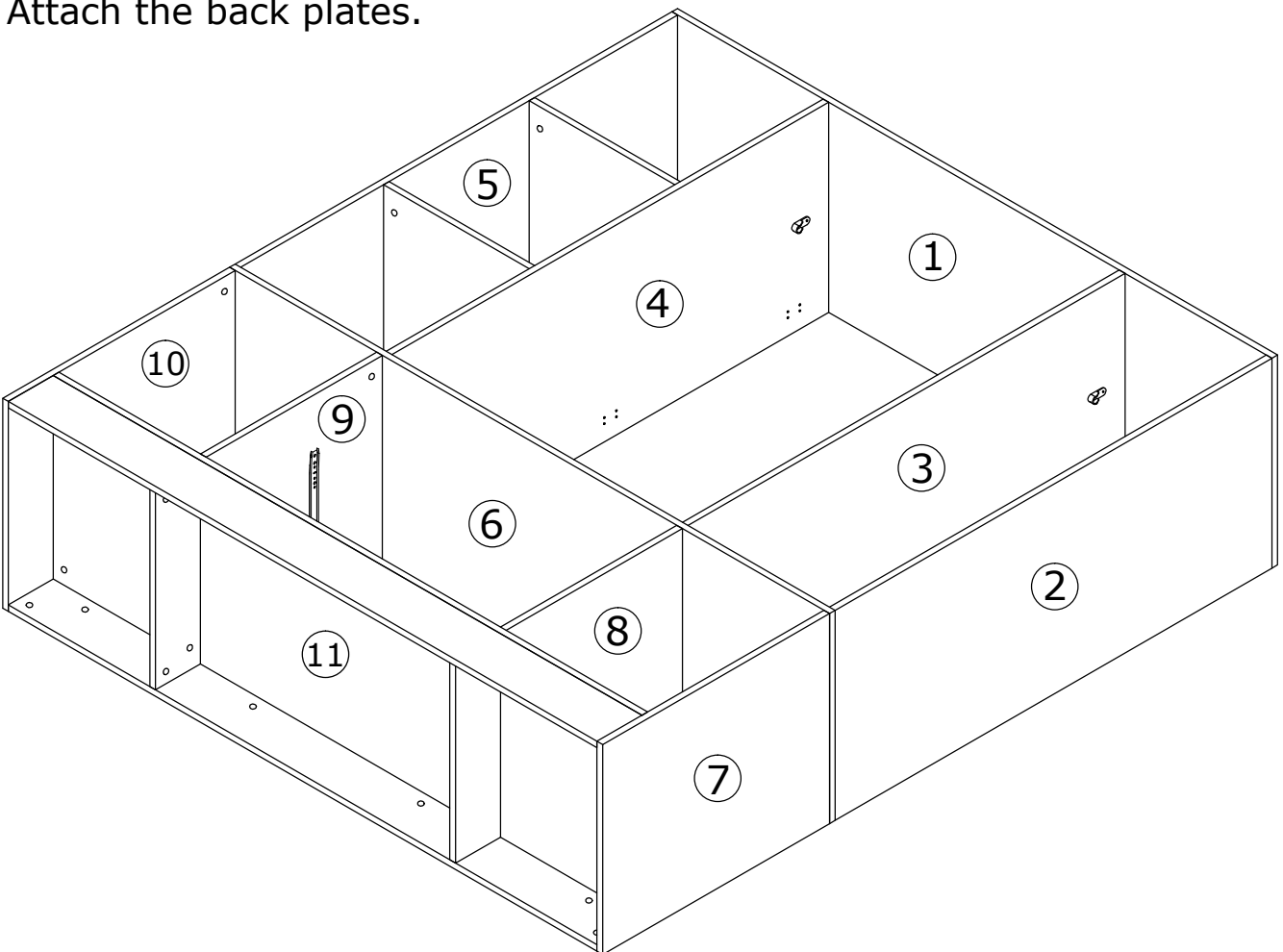
Connect plate 31.32 with plank 17 as shown.



16

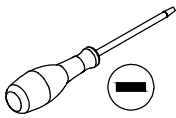


Attach the back plates.

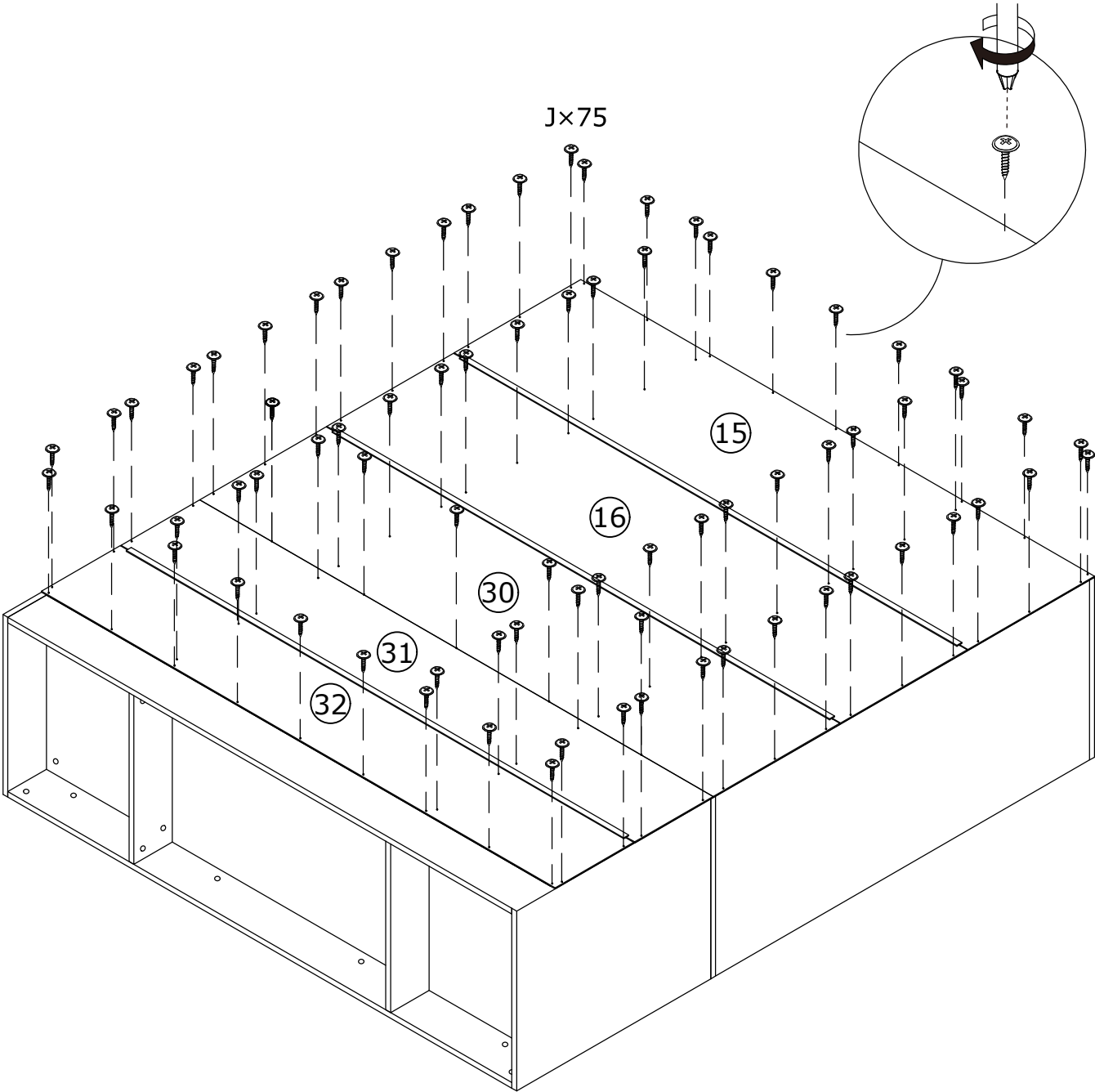


17

J x 75  
Ø 3 x 12mm



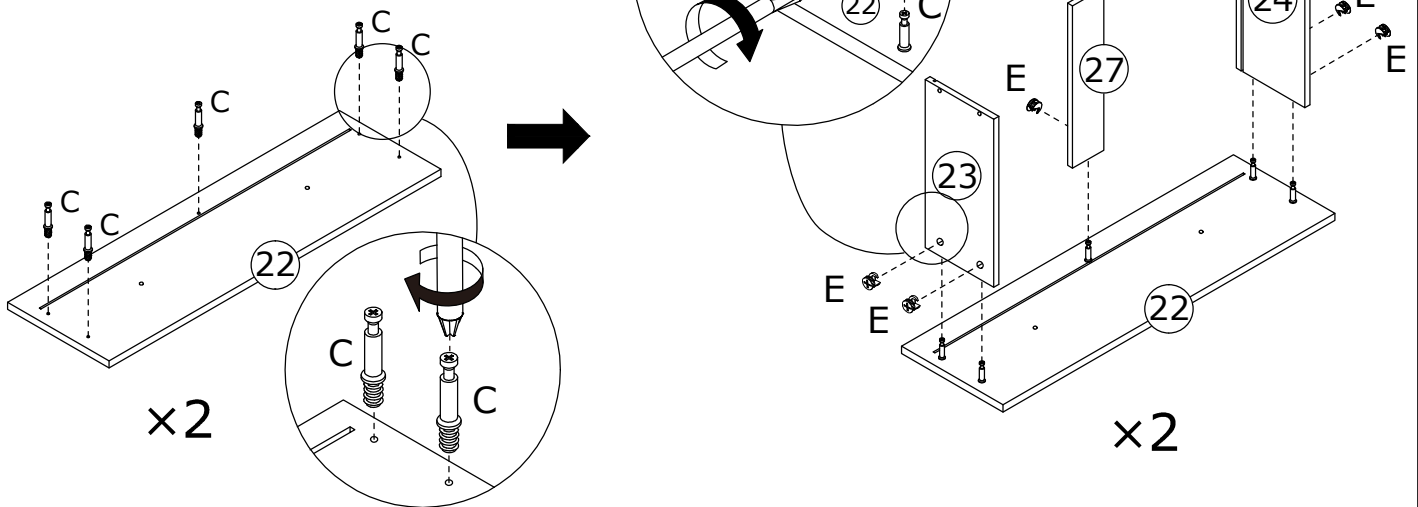
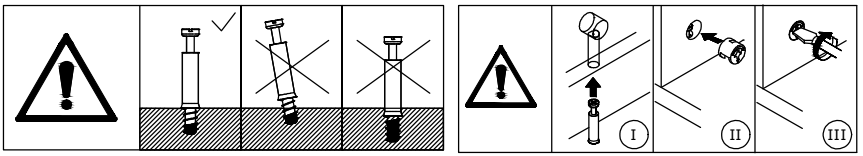
Fix back plates with nail(J) as shown.



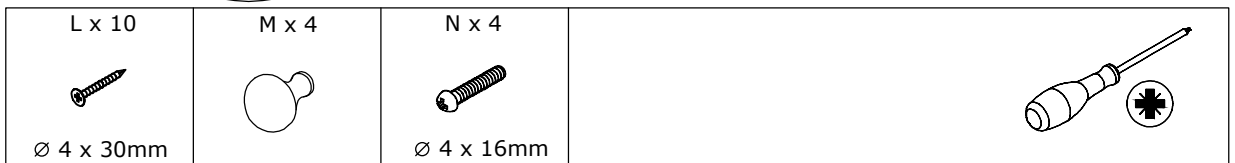
# 18



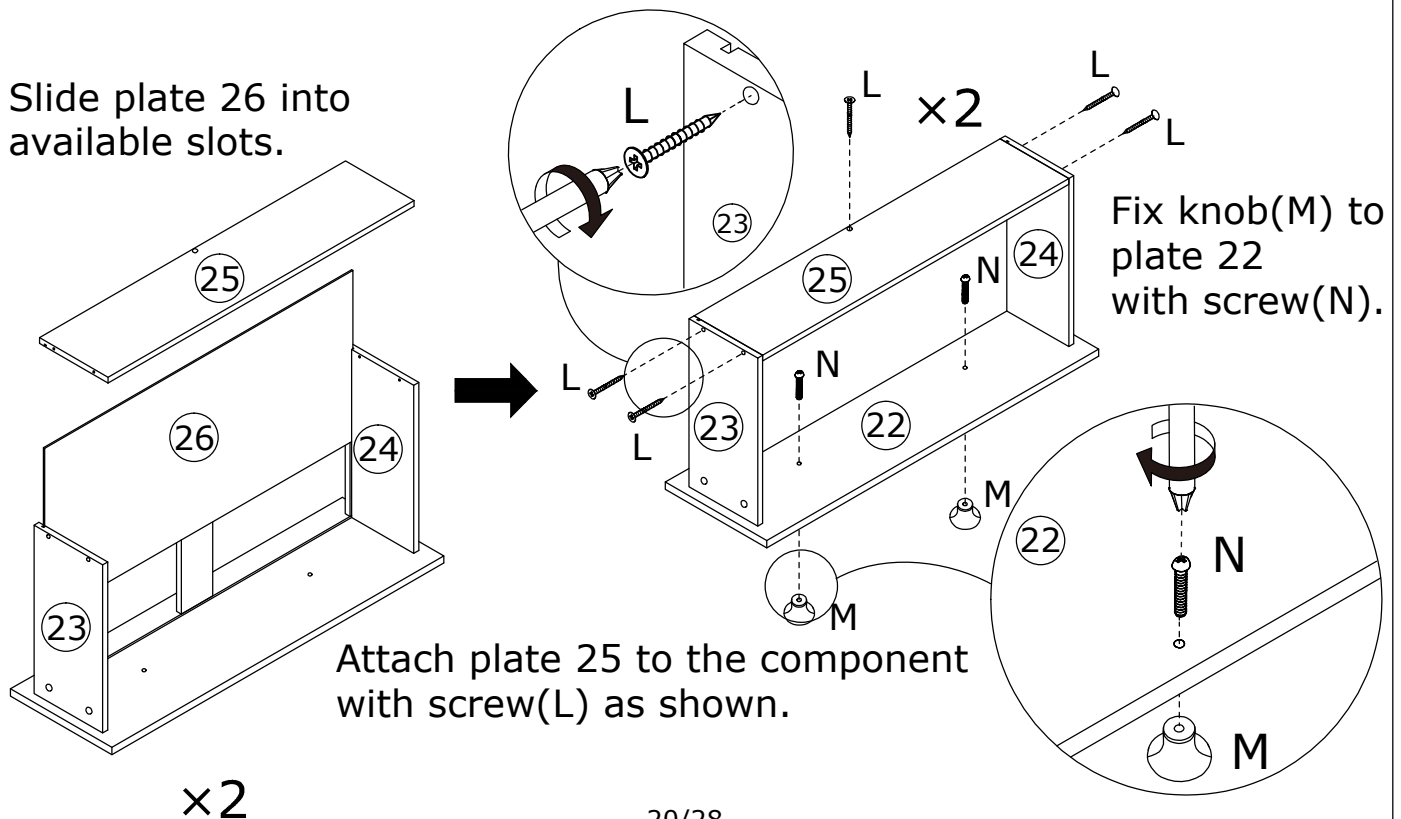
Insert quickfit screw(C) into corresponding holes in plate 22 with a screwdriver as shown. Attach plate 23,24,27 to plate 22 turn cam locks(E) clockwise to tighten as shown.



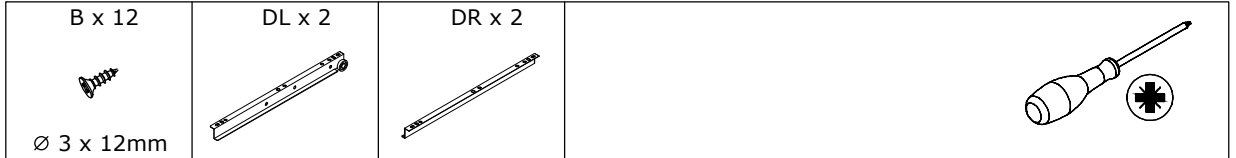
# 19



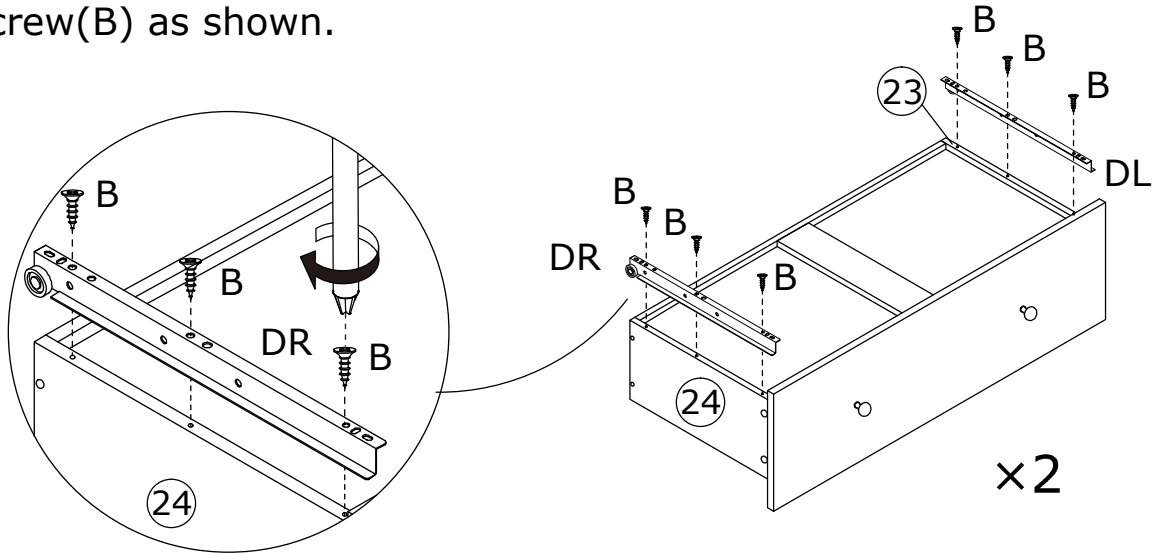
Slide plate 26 into available slots.



# 20

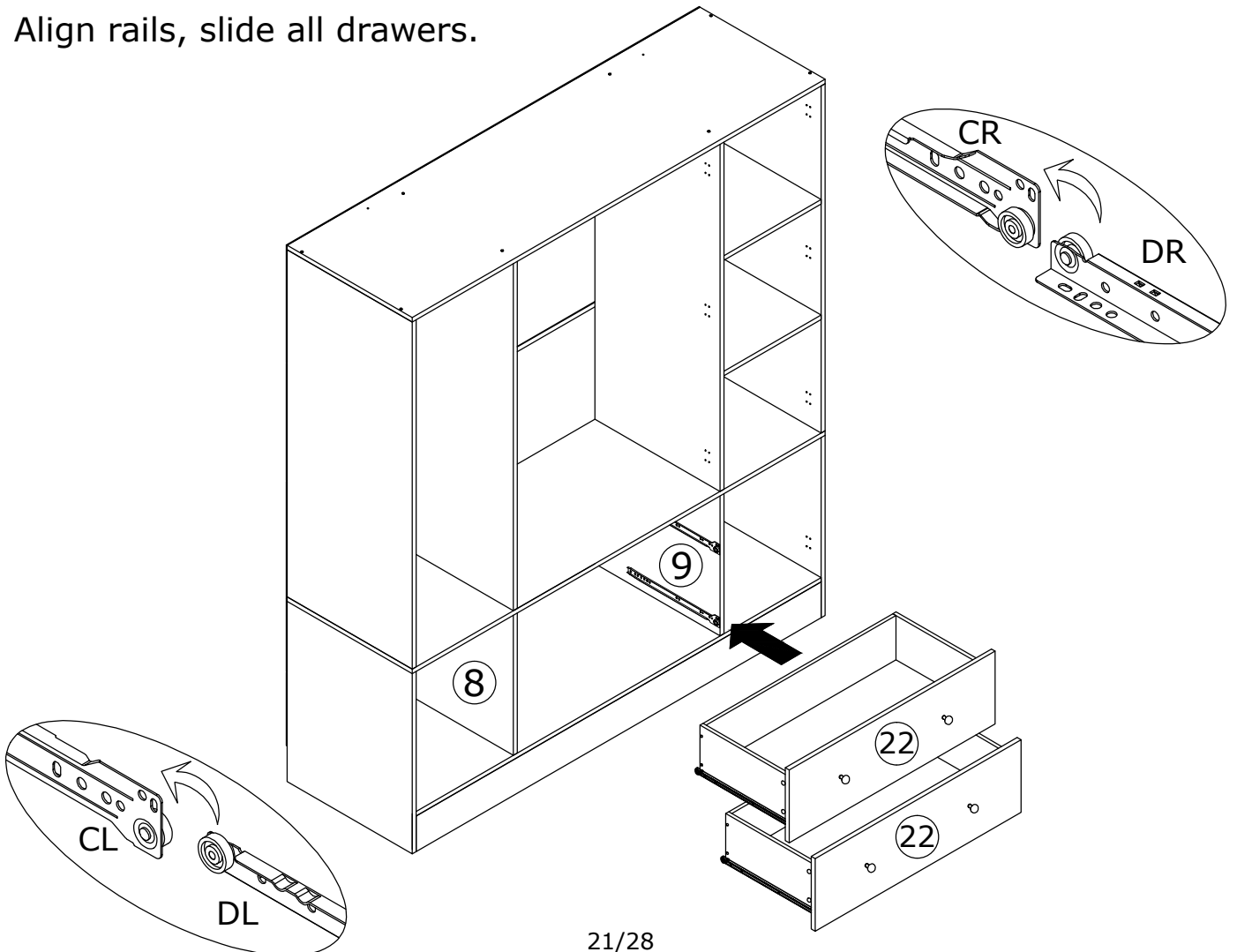


Fix runner(DL) and (DR) to plate 23 and 24 respectively with screw(B) as shown.

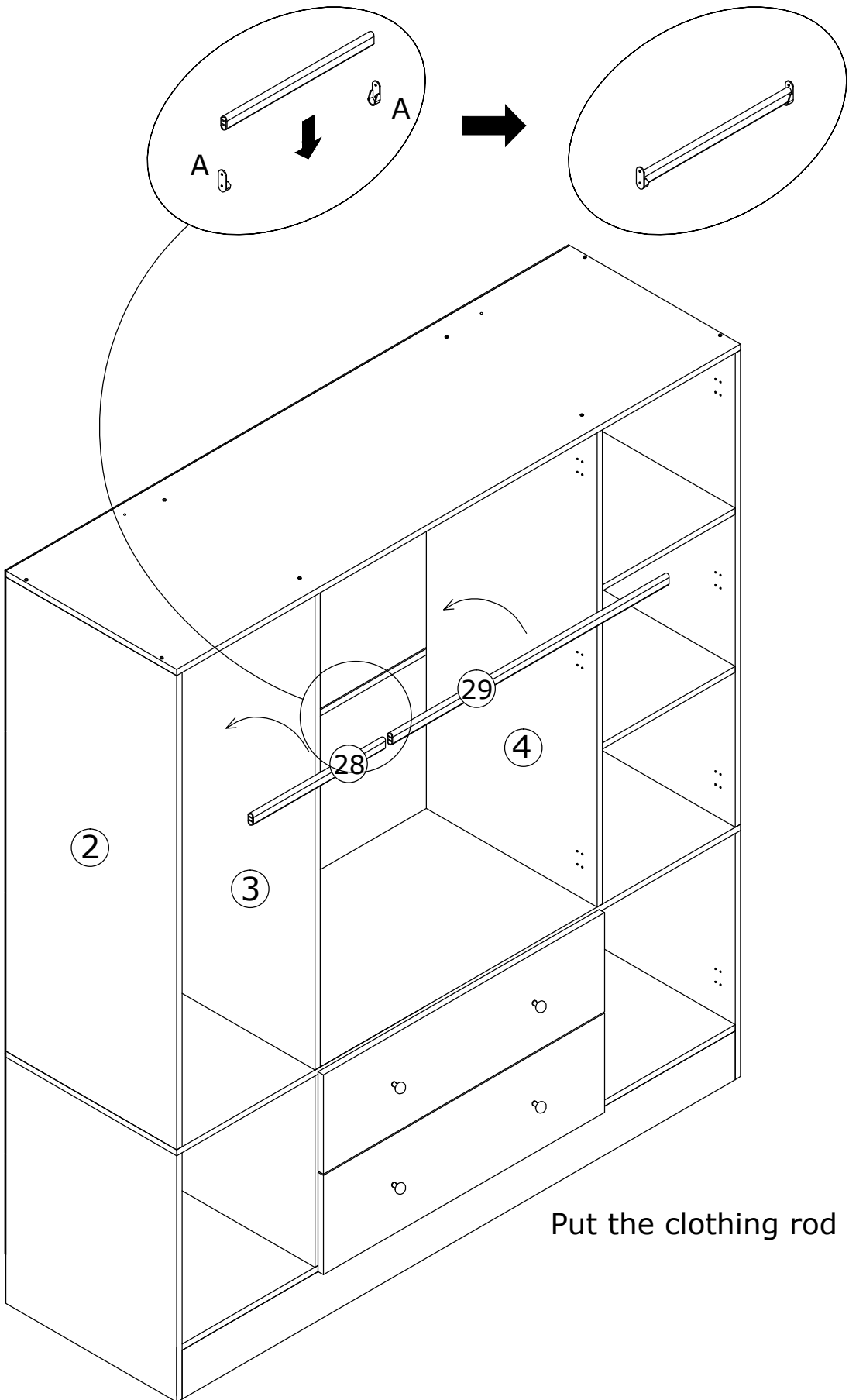


# 21

Align rails, slide all drawers.





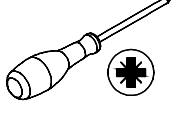


22

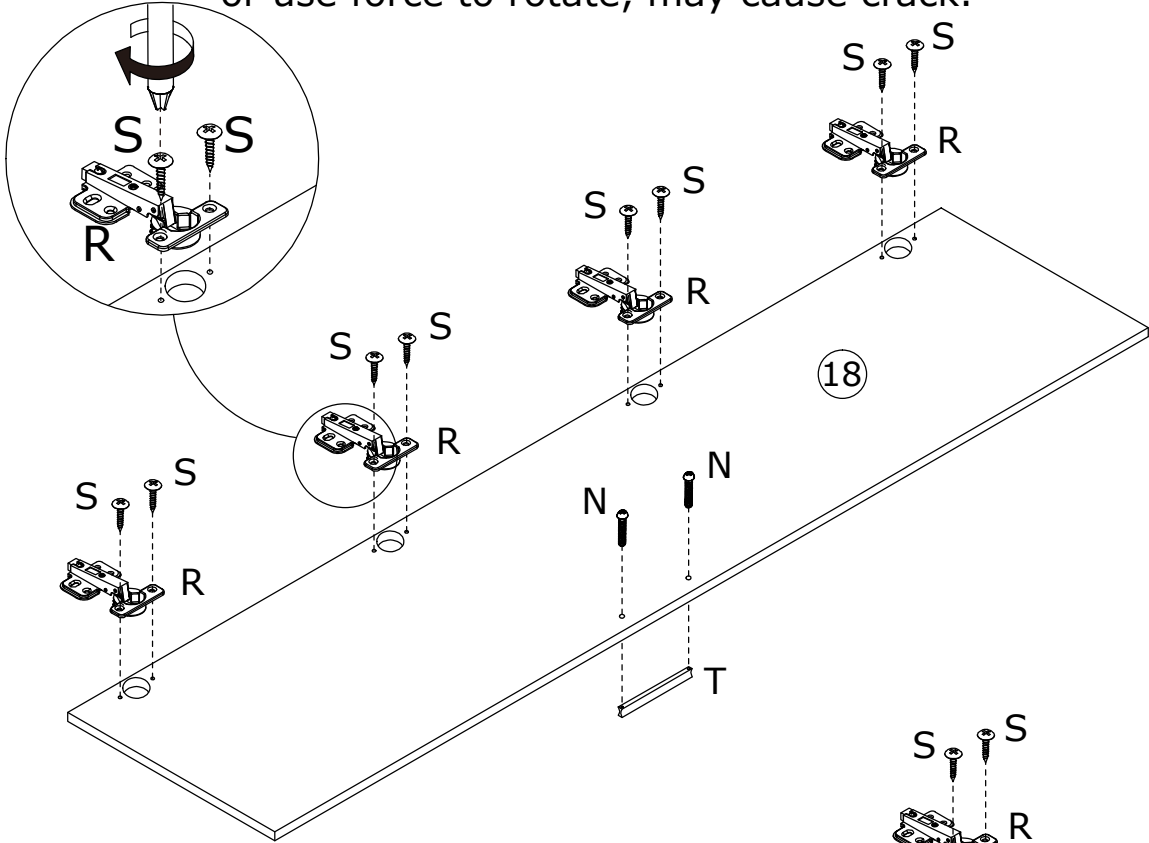


Put the clothing rod 28,29 in.

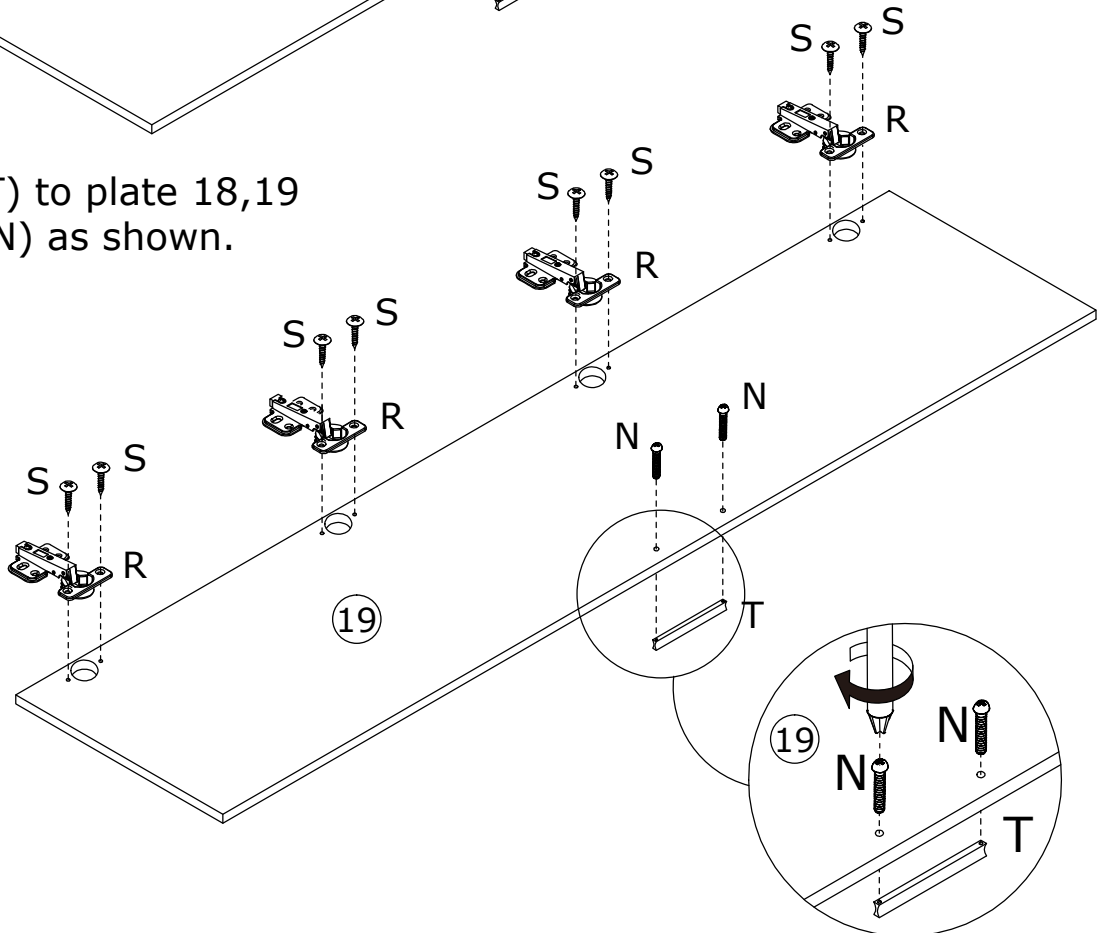
# 23

<p>N x 4              Ø 4 x 16mm</p>	<p>R x 8  </p>	<p>S x 16              Ø 4 x 14mm</p>	<p>T x 2  </p>	
---	---	--	---	---



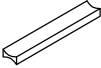

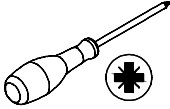
Fix hinge(R) to plate 18,19 with screw(S) as shown.  
 Please don't use an electric screwdriver  
 or use force to rotate, may cause crack.



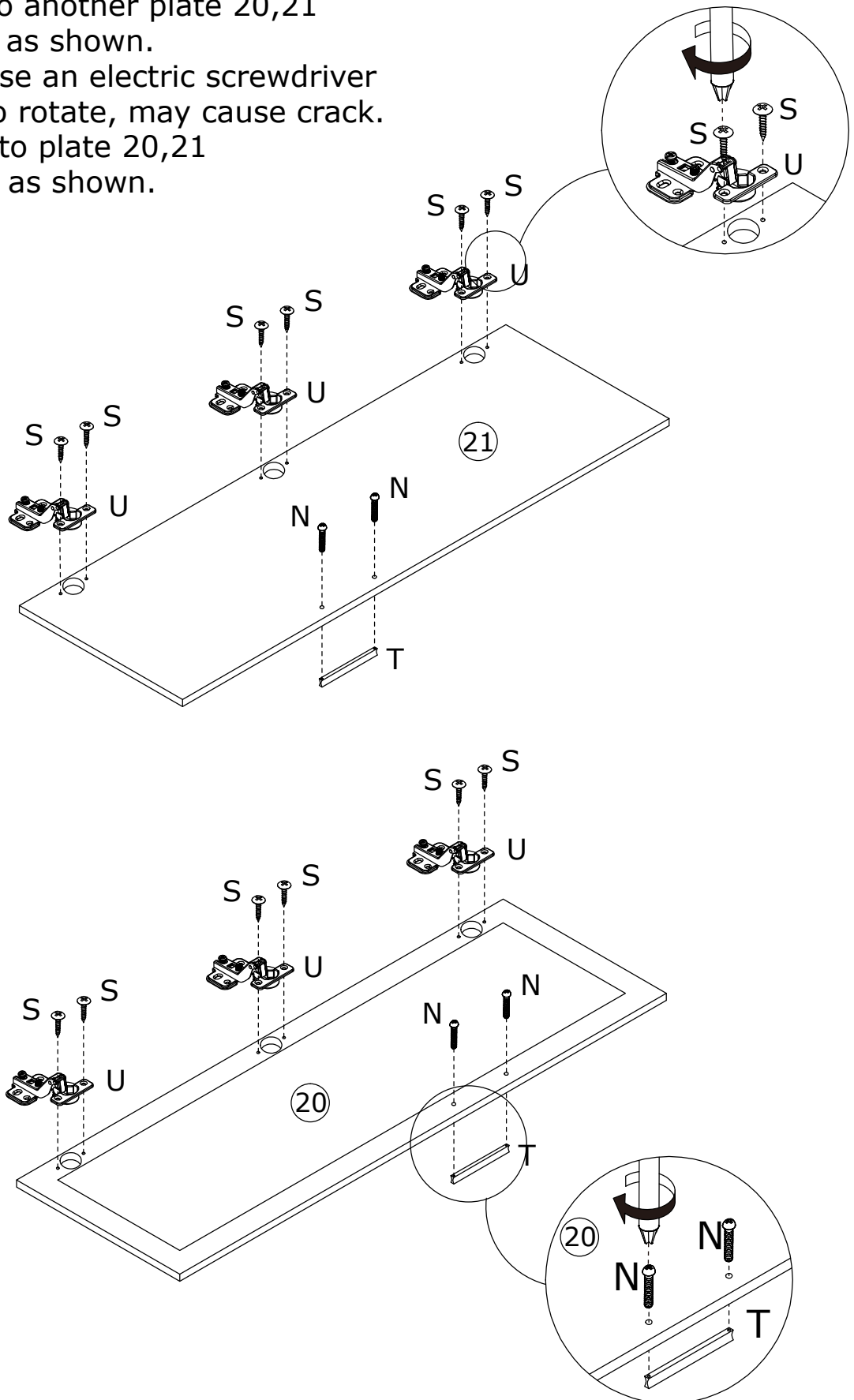
Fix handle(T) to plate 18,19  
 with screw(N) as shown.



# 24

N x 4  Ø 4 x 16mm	S x 12  Ø 4 x 14mm	T x 2 	U x 6 	
--	---	--	--	---

Fix hinge(U) to another plate 20,21 with screw(S) as shown.  
Please don't use an electric screwdriver or use force to rotate, may cause crack.  
Fix handle(T) to plate 20,21 with screw(N) as shown.

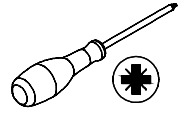


# 25

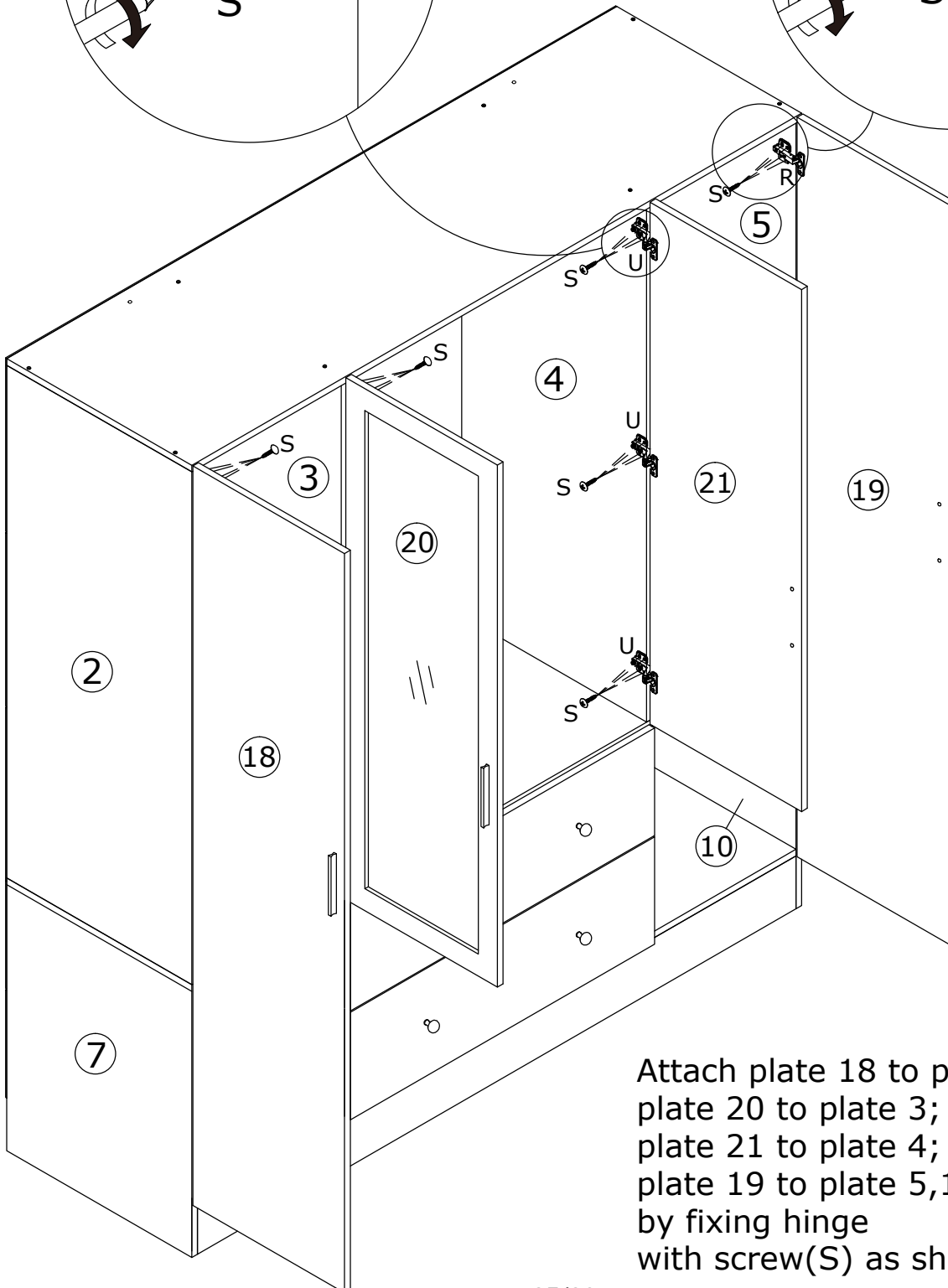
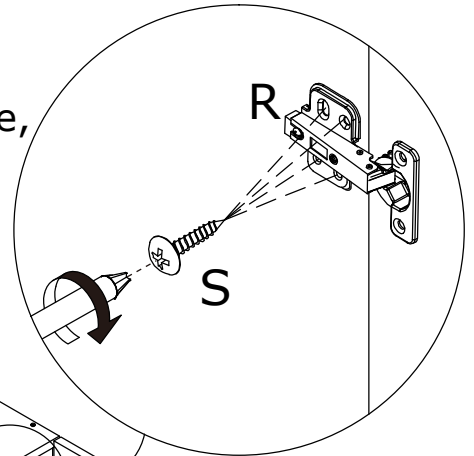
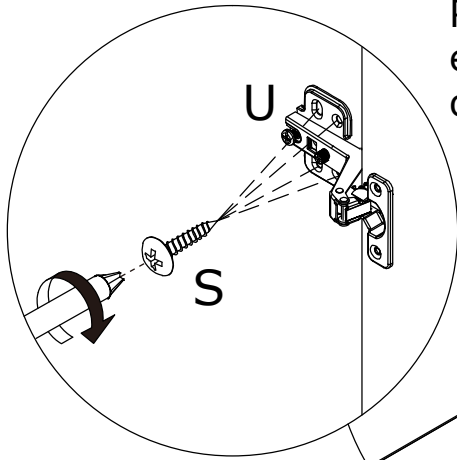
S x 56



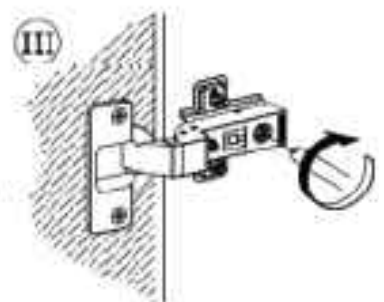
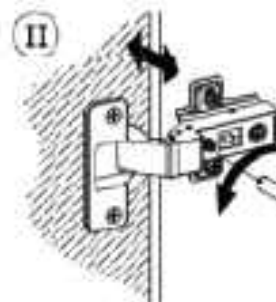
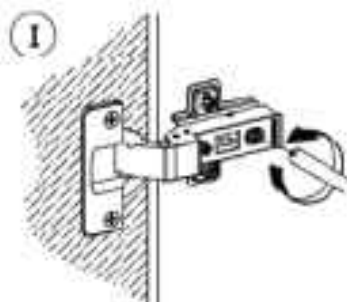
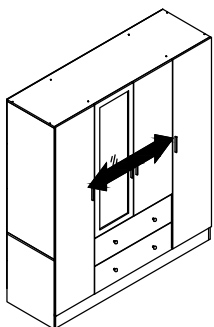
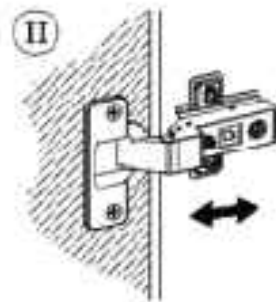
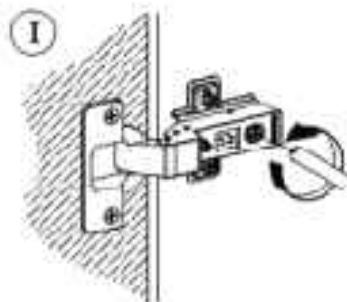
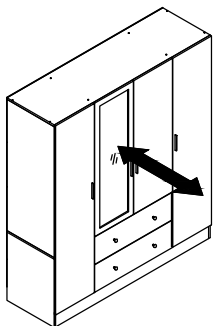
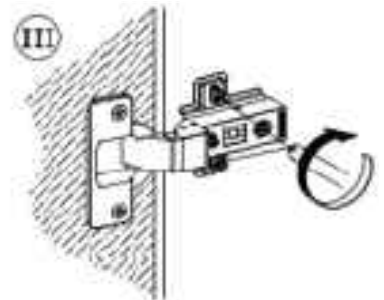
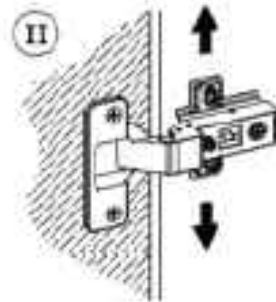
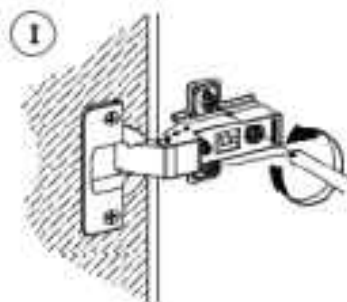
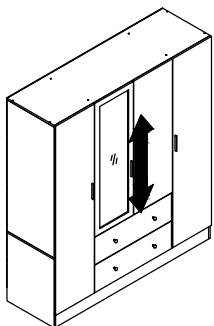
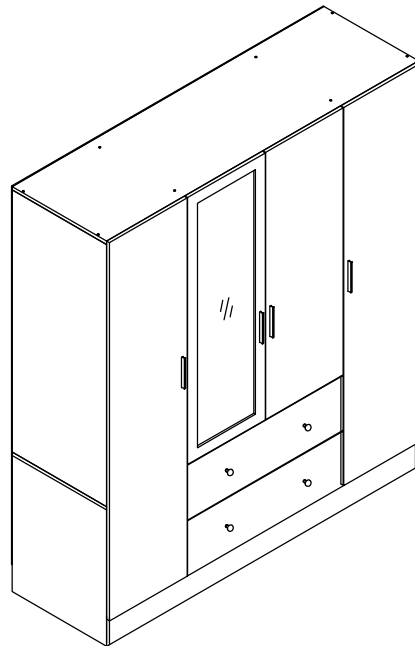
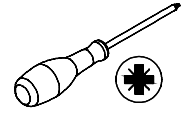
Ø 4 x 14mm



Please don't use an electric screwdriver or use force to rotate, may cause crack.



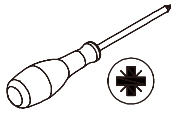
Attach plate 18 to plate 2,7;  
plate 20 to plate 3;  
plate 21 to plate 4;  
plate 19 to plate 5,10  
by fixing hinge  
with screw(S) as shown.



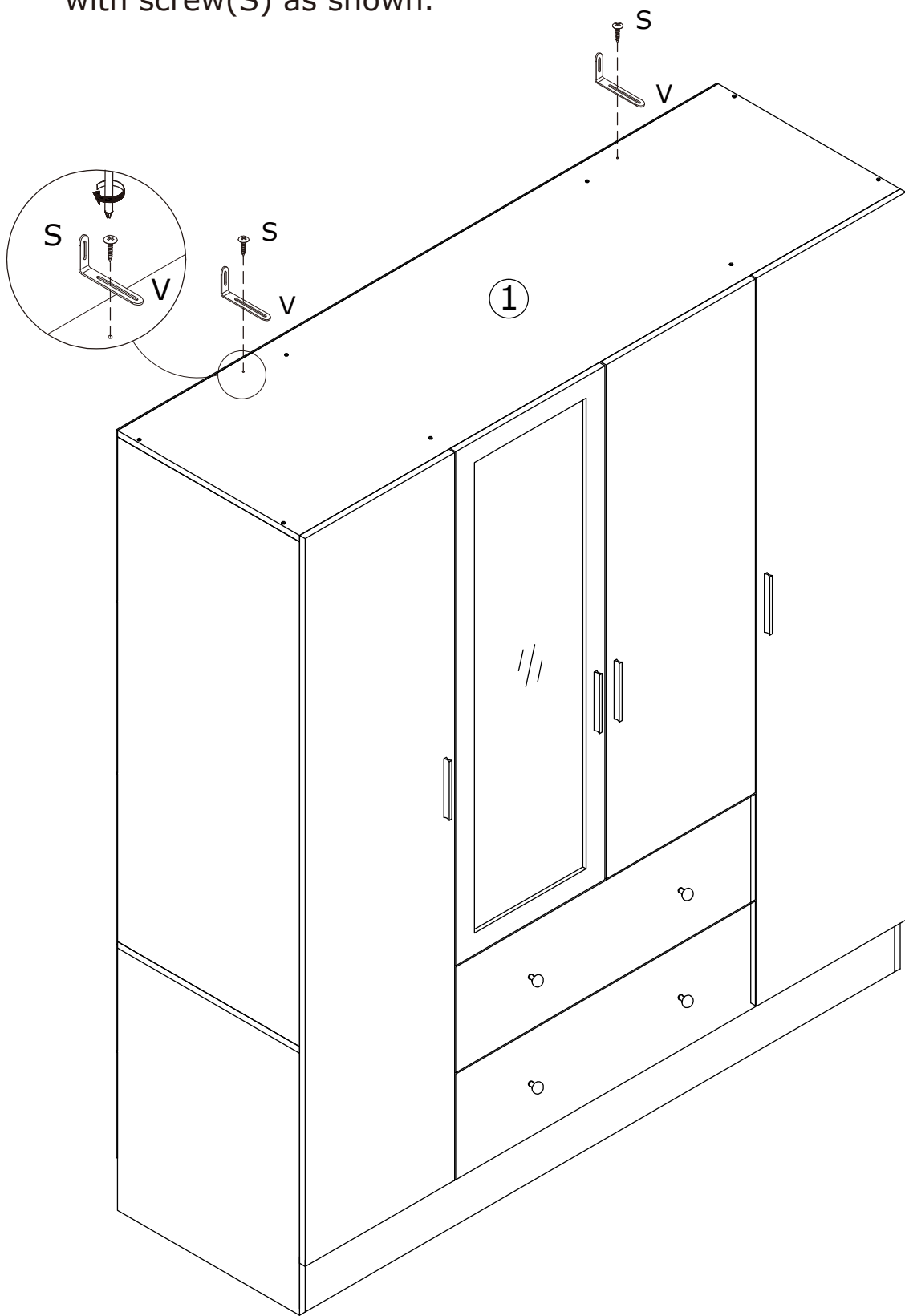
27

S x 2  
φ 4 x 14mm

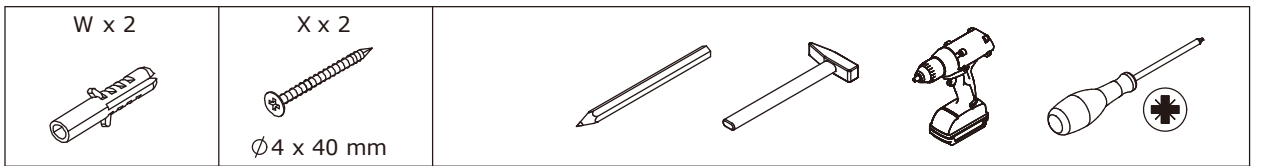
V x 2



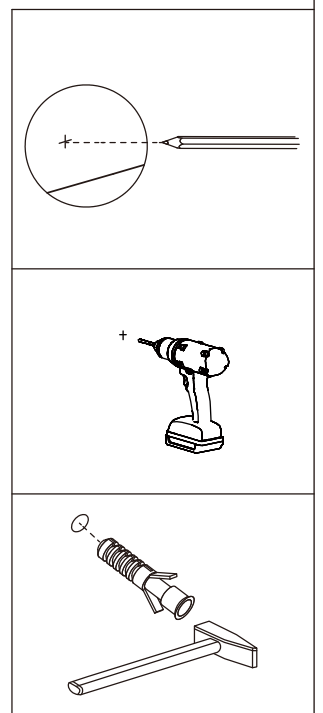
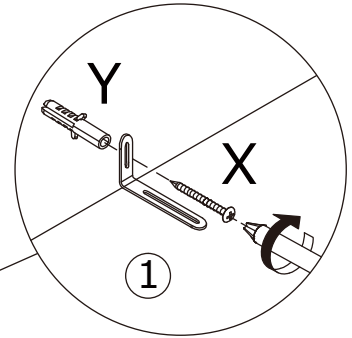
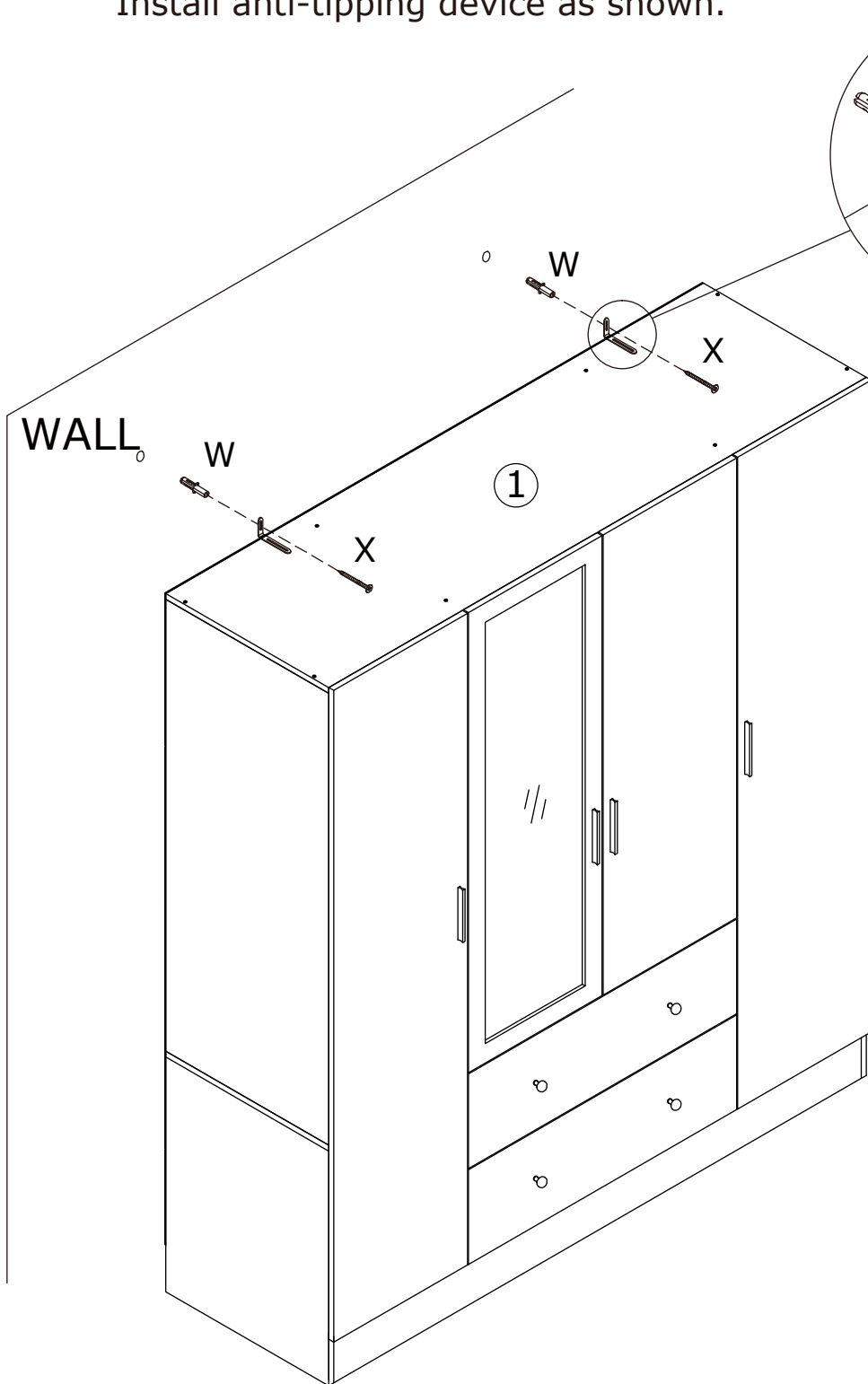
Fix part(V) to board 1 with screw(S) as shown.



28



Install anti-tipping device as shown.



# WARRANTY

## WARRANTY CLAIMS

- There is a 30-day warranty for broken furniture or any other problems that do not work properly. The warranty will start from the date of purchase which must be verified by proof of purchase.
- Before making a claim, we may be able to answer your query, simply call us. Please leave your purchase order number, along with some details of the problem, if you want a replacement part. We will arrange within 48 hours. If there is out of stock, we will reply with a shipping date.
- The product must be used in accordance with the instructions provided. For health reasons.
- For other reasons, if the furniture needs to be returned, it must be cleaned and dried and operated within 30 days of receipt.

## Type of Warranty Claim

- Failure to follow the furniture instructions will invalidate the warranty. Attention please.
- Does not include damage during installation, but includes damage during transportation.

## Scope of responsibility

- Shall not bear any responsibility for misuse or user damage and / or loss of parts during the installation of furniture.
- After using, the damage and scratches of the furniture are not covered by the warranty.

## The Warranty Relates to All Bought in The Us and Covers The Following Areas

- Sheet parts: 1 month from the date of purchase.
- Electrical parts: 1 month from the date of purchase.

# RETURNS

## **CHANGED YOUR MIND AND NEED TO RETURN YOU ITEM?**

### **PLEASE FOLLOW THE BELOW INSTRUCTIONS:**

- If you have purchased and have simply changed your mind, follow the retailer's instructions for returns.

### **DEFECTIVE ITEMS**

- If your item is defective in any way, i.e. it doesn't work but you can't identify why, in the first instance, please call us.

### **DAMAGED ITEMS**

- If you receive an order with obvious shipping damage from the retailer, then we suggest the delivery is refused. If the delivery has been accepted and then shipping damage is found, please follow the specific instructions advised by the retailer. In all circumstances please save all packaging material and paperwork for the order. Please be aware that if you dispose of packaging material or attempt to return the merchandise without contacting the fulfiller, you jeopardise your chances of making a claim, and you may not receive a credit for the return.