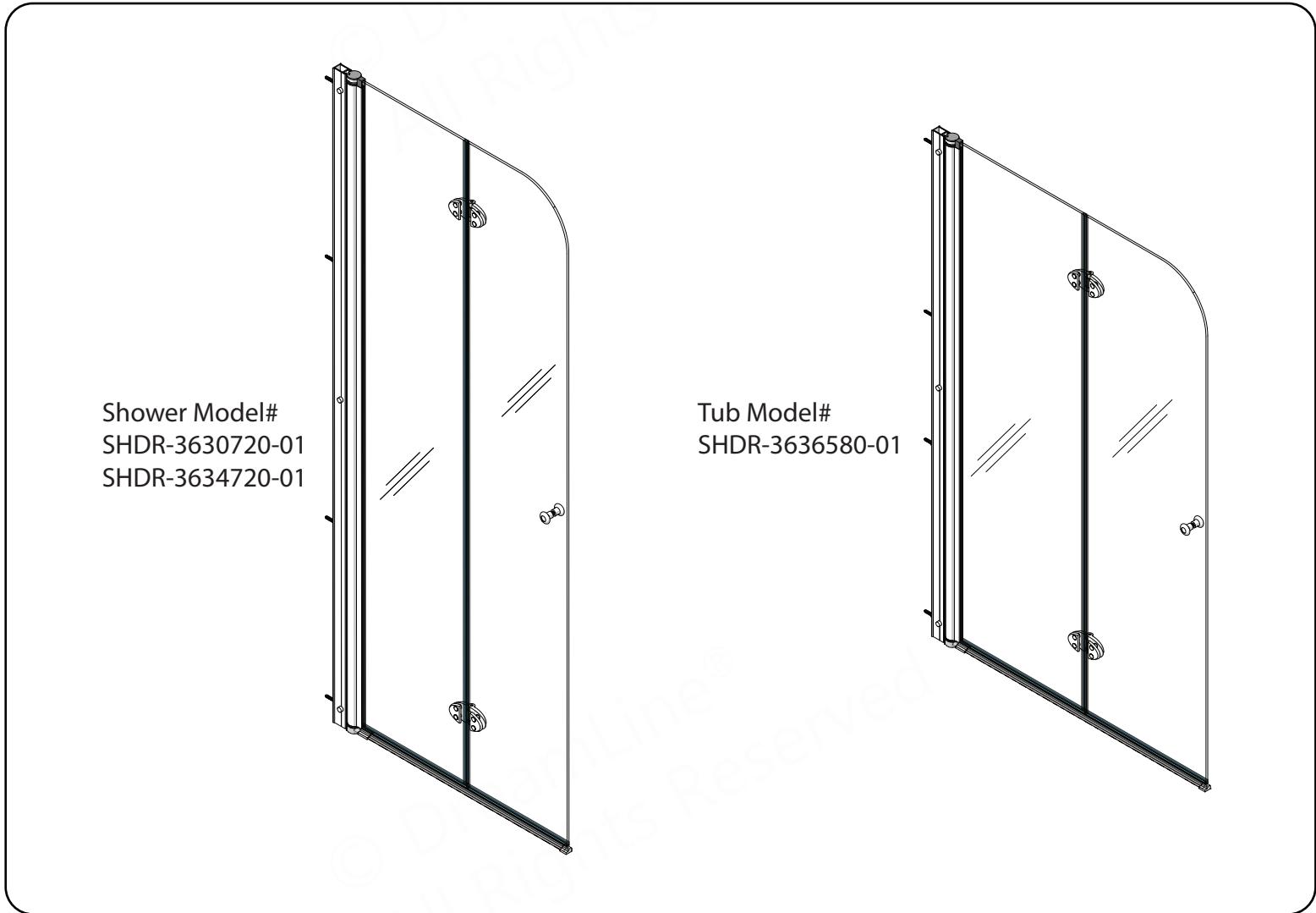


AQUA FOLD

SHOWER AND TUB DOOR INSTALLATION INSTRUCTIONS

PLEASE REVIEW THIS ENTIRE MANUAL PRIOR TO INSTALLATION



Shower Model#
SHDR-3630720-01
SHDR-3634720-01

Tub Model#
SHDR-3636580-01

IMPORTANT!

DreamLine[®] reserves the right to alter, modify or redesign products at any time without prior notice for the purpose of product improvement and customer experience. Please refer to the model's web page on **DreamLine.com** for the latest technical drawings, installation manuals, warranty information or additional product details.

Do Not Return Product to the Store. Contact DreamLine[®] with any questions



Questions?

Please contact DreamLine Customer Support
See DreamLine.com for hours of operation

Support@DreamLine.com

1-866-731-2244





Record the following purchase information for your records or in the event you need to contact DreamLine®:

Purchase Order
Number _____

Store/Vendor
Purchased From _____

Installation Date _____

OD Number
(optional) _____
*found on the shipping box or label
if available.


Installed By: _____


SKU Number _____


Table of Contents


Section Title	Page #
Warnings and General Preparation	2
Model Specific Preparation	3
Tools	4
Detailed Diagram of Shower/Tub Door Components	5
Parts List	6-7
Installation Steps	8-18
Product Maintenance	19
Troubleshooting	20
Factory Parts Information	21-23


Symbol Legend

 **TIP** - for ease of installation.

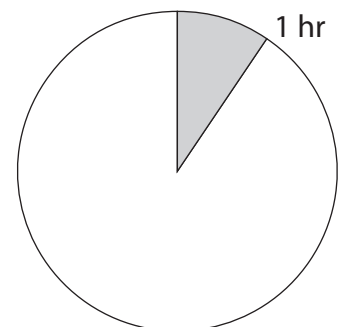
 **NOTE** - take note of special feature; additional information.

 **REQUIRED** - requires special attention; signifies a warning.

 **CORRECT** - recommended.

 **INCORRECT** - not recommended.

Average Installation Time





IMPORTANT

- DreamLine® reserves the right to alter, modify or redesign products any time without prior notice for product improvement and customer experience. Please refer to the model's web page on DreamLine.com for the latest technical drawings, installation manuals, warranty information or additional product details.
- This product should be installed by someone familiar with the construction requirements for this type of project and the care necessary for the safe installation and operation of the product.
- The safety of any installation is the responsibility of the installer.
- Professional installation recommended. (*All Models*)
- Professional installation required. (*Enigma Series*)
- To prevent damage or serious injury, Do Not lean against the installed panel/door/glass.
- To prevent damage or serious injury: Do Not attempt to lift or move a heavy lite of glass alone. Use an assistant and/or a professional grade glass suction cup.
- The installation of some models may require drilling down into the threshold. Contact the manufacturer of the base, tub, or threshold material with any questions regarding the drilling of holes into their product.
- All drawings in this installation manual are for illustrative purposes only and are not drawn to scale.

TEMPERED GLASS WARNING

- Your Shower Door Glass Could Shatter Without Warning if Improperly Installed or Mishandled
- Do Not install or operate a shower door if the glass has chipped corners, slivered edges or is otherwise damaged and/or has been dropped or banged into a hard surface such as tile, marble or glass.
- **The main causes of tempered glass breakage are:**
 - Improper handling, storage or installation
 - Misuse/abuse
 - Lack of maintenance
 - Failure to replace damaged glass
 - **Improper handling during storage, unpacking and installation:**
 - Corners and edges are the most susceptible area to damage on a lite of tempered glass and should be protected and handled with care during storage, unpacking, installation and operation. A concentrated point of pressure or impact with a surface harder than itself may cause the tempered glass to shatter. The tempered glass may release immediately, within several hours or even days later.
 - **Incorrect installation of door hardware, rollers, hinges, channels, stopper or glass:**
 - Improper installation may include: loose hardware and/or lack of proper gaskets between the hardware and glass. Additionally, improper alignment of guide rails, wall profiles or other hardware during installation or operation may place stress on the glass edges and cause it to break.
 - This product must be installed by a professional and experienced installer familiar with the safe handling of tempered glass.
 - **Improper use of this product:**
 - Aggressively opening or closing the door may cause trauma to the glass, which can lead to breakage. This may occur immediately or hours or even days later.
 - **The shower door hardware and glass should be inspected periodically:**
 - Instruct the homeowner how to perform a periodic inspection of the shower hardware and glass - some minor adjustments may be necessary based upon the use (or misuse) of the shower door. Ensure that the hardware remains tight and that the door alignment and operation are correct. Any adjustments should be made upon discovery to prevent damage to the product.
 - Additional considerations should be given to the installation of frameless tempered glass products in households with young children or an elderly person due to an increased chance of improper handling. In such cases, alternatives such as shower curtains or grab bars should be considered.

GENERAL PREPARATION

- After opening all boxes and packages, read this introduction carefully. Check that all the items are included in the package by marking off the components on the "**Detailed Diagram of Product Components**" page. Examine all boxes and packages for shipping damage. If the unit has been damaged, has a finishing defect, or is missing parts; please contact our Customer Support department within 3 business days of the delivery date. **Please note that DreamLine® will not replace any damaged products or missing parts free of charge after 3 business days or if the product has been installed.** Please contact DreamLine® if you have any questions.
- **Please note that you should refer to your local building codes with questions on installation compliance standards. Building and plumbing codes may vary by location, and DreamLine® is not responsible for code compliance standards for your project and will not accept any returns.**
- If this unit is going to be installed in a new construction, install all the required plumbing and drainage before installing the shower. **Use a competent and licensed (if required by local code) plumber for all plumbing installation.**
- Make sure that prior to beginning the installation, the surfaces are leveled and solid and will be able to support the total weight of the unit. Also make sure the walls are at right angles. Irregular installation surface level, radius corners or improper angle of side walls will result in serious problems for your installation. Please note that some adjustments and drilling will be necessary during the installation process.
- Protect all primary surfaces of the product during installation. Never set your glass down directly onto a tile floor. Leave corner protectors in place until it is necessary to remove them. Always use a piece of wood or cardboard to protect the bottom edge and corners of the glass prior to and during installation.
- This unit must be installed upon a finished threshold and against finished walls.
- *DreamLine® shower doors are not designed to be installed into a fiberglass surround due to the radius corners and lack of a solid surface to mount the hardware.*

WARNING: TO AVOID THE RISK OF DAMAGE OR INJURY:

- **Follow all recommendations and requirements as shown in the installation instructions.**
- Perform a thorough inspection of the glass and all parts for any damage prior to installation. Any damage to tempered glass can cause breakage. **Do Not install damaged glass!**
- Do Not install or operate a shower or tub door if the glass has chipped corners, slivered edges or is otherwise damaged. Do Not install or operate a shower or tub door that has been dropped or banged into a hard surface such as tile, marble or glass.
- **CAUTION:** Contact with any hard surface can damage tempered glass and cause it to shatter.
- This product uses tempered glass. Glass cannot be cut after it has been tempered. **Do Not attempt to cut tempered glass.**
- DreamLine® Glass Shower doors, Tub doors, Inline panels, and Return panels can shatter due to improper handling or lack of maintenance. Conduct periodic inspections of glass and all parts for possible damage, missing or loose parts.
- Always wear proper safety equipment such as: safety goggles, work gloves and appropriate footwear during the installation process.
- **WARNING. Risk of leakage and/or damage.** Follow all instructions regarding the application of silicone sealant or caulk. Allow 24 hours for the sealant to cure before the initial use of the shower or tub product. Follow the silicone manufacturer's recommendations regarding the use of their product.
- **Thoroughly read these instructions before installing or using this product.**
- **Leave this manual for the end-user of the product.**

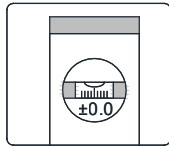


This product should be installed by someone familiar with the construction requirements for this type of project and the care necessary for the safe installation and operation of the product.

Model Specific Preparation

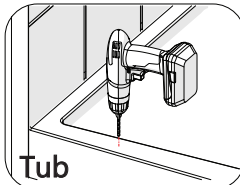
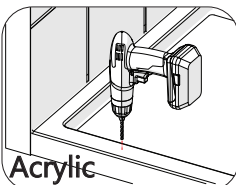
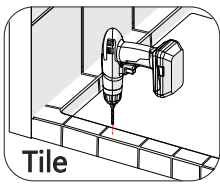
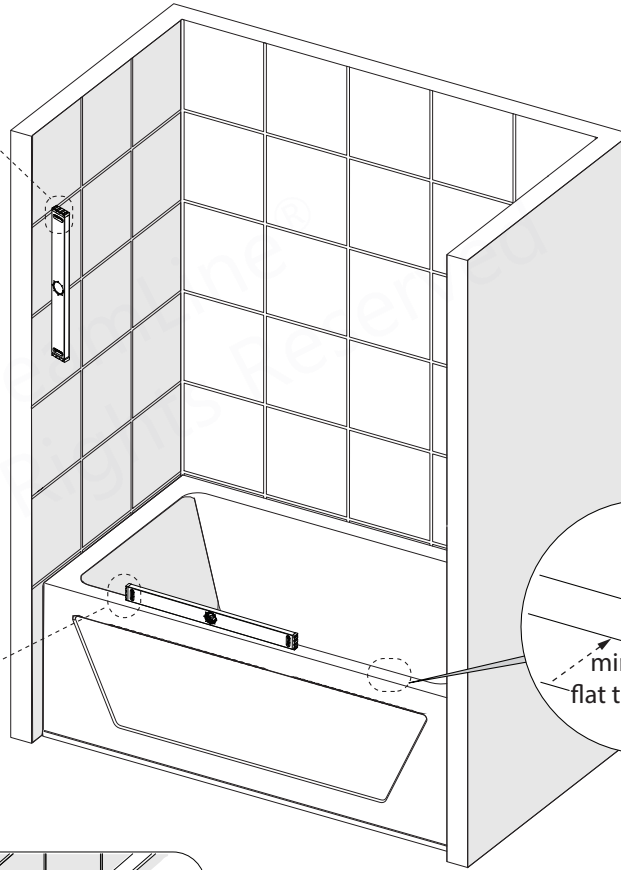
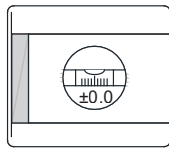
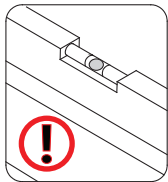
! REQUIRED:

3/8" Out-of-Plumb Adjustment at Wall Profile. DO NOT EXCEED this amount.



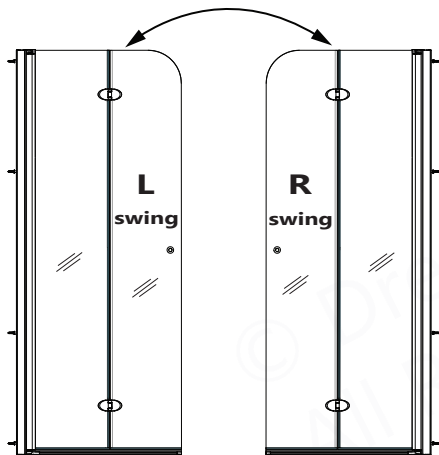
Verify tub deck and walls with a level

Threshold must be level



NOTE

Contact the manufacturer of the base, tub or threshold material with any questions regarding the drilling of holes into their product.



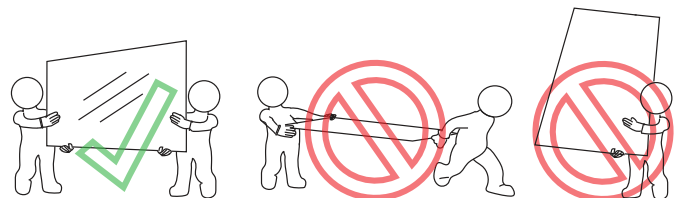
DO NOT attach the Handle to the door glass until instructed.
DO NOT use the Handle to lift the glass during installation. This may result in damage to the glass and/or serious injury. Always use an assistant or a professional grade glass suction cup when handling heavy glass.

NOTE

This model is reversible for right or left swing door installation. The right swing door installation is shown as an example throughout this manual. For the right swing door installation, simply begin on the opposite wall and reverse the orientation of the installation steps shown.

NOTE

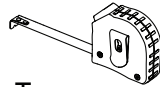
Professional installation with two installers is recommended for this product.



Tools



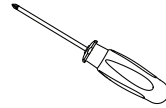
Level



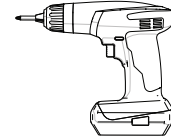
Tape Measure



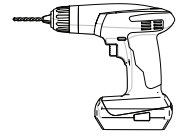
Pencil



#2 Phillips Screwdriver



Screw Gun



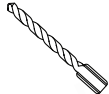
Drill



Drill Bit
Ø1/8"
(3mm)



Drill Bit
Ø3/16"
(5mm)



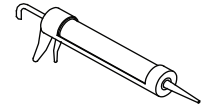
Drill Bit
Ø5/16"
(8mm)



Razor Knife



Rubber Mallet



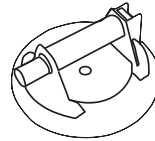
100% Silicone



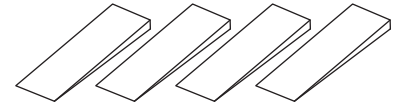
Safety Glasses



Work Gloves



Professional-grade
Glass Suction Cup
(Optional but recommended)



Wood or Plastic
Shims



Verify that the correct model size has been ordered; measure the finished opening **before** proceeding with the installation.

Confirm that the finished walls are plumb and the threshold is level and pitched into the shower area.

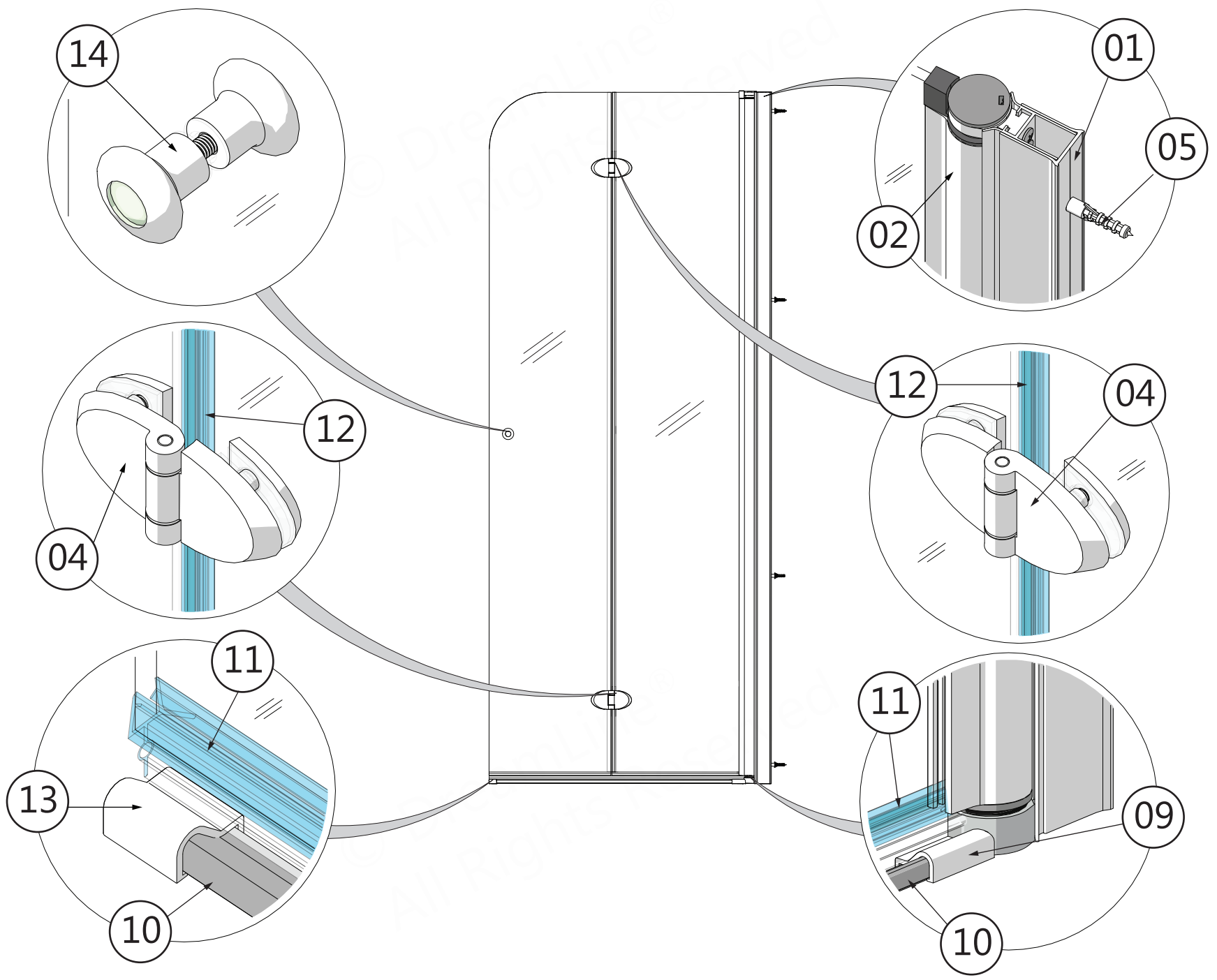
Use a good quality waterproof, mildew-resistant 100% silicone caulk.

Cover the shower/tub drain with tape prior to installation to prevent the loss of screws or small parts.



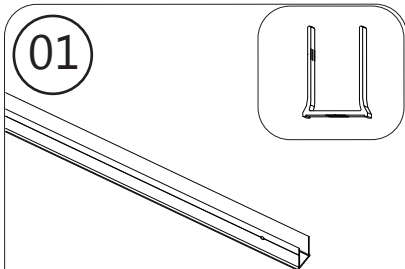
Unpack your unit carefully and inspect it. Lay it out and identify all parts using the **Detailed Diagram** on page 5; and packing list in this manual as a reference. Before discarding the carton, check for small hardware bags that may have fallen to the bottom of the box. If any parts are damaged or missing, please contact DreamLine® for replacement. The shipping boxes may contain extra parts not used in your model configuration. Retain these installation instructions for future reference.

Detailed Diagram of Aqua Fold Shower and Tub Door Components



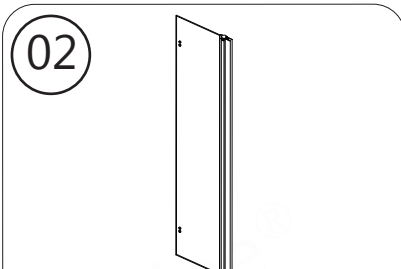
Parts List

01



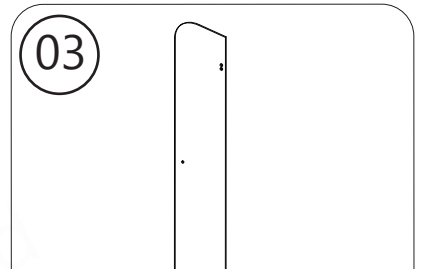
Wall Profile x1

02



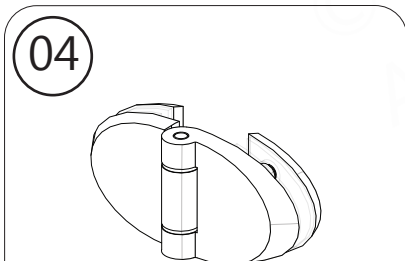
Door Glass #1 with Hinged Profile x1

03



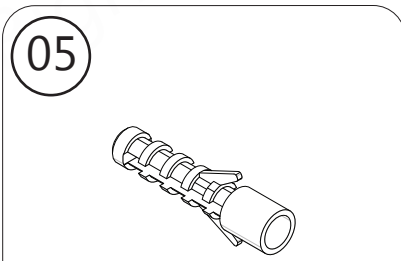
Door Glass #2 x1

04



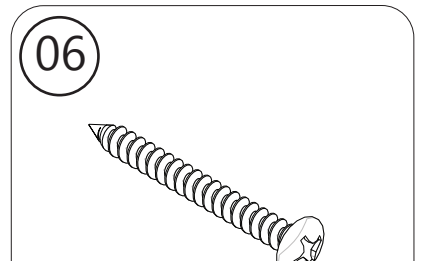
Hinge x2

05



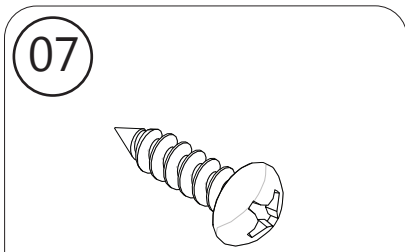
Wall Anchor x4

06



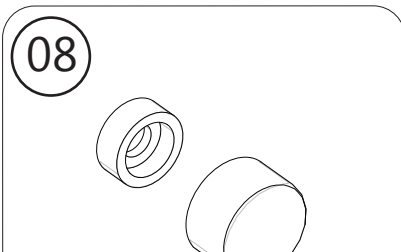
Phillips Screw ST 4.2x40mm x4

07



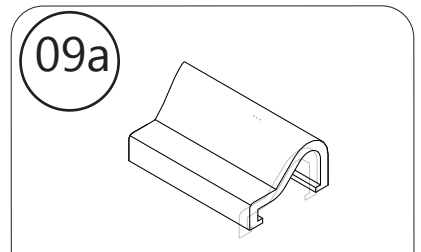
Phillips Short Round Head Screw ST 4.0 x 16mm x3

08



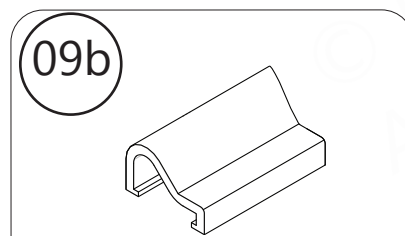
Decorative Cover and Washer 3pr

09a



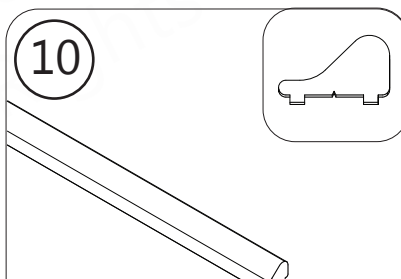
Threshold Connector (Right) x1

09b



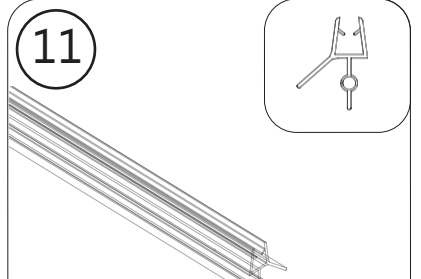
Threshold Connector (Left) x1

10



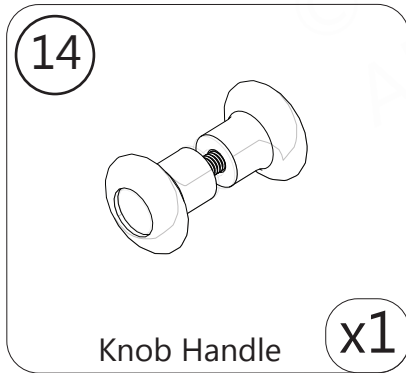
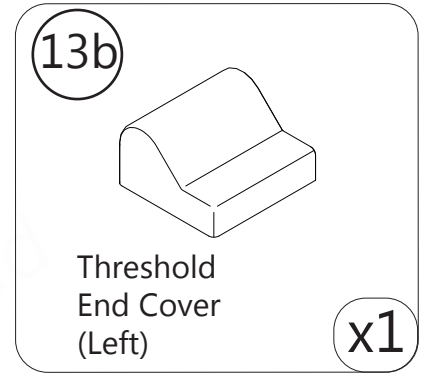
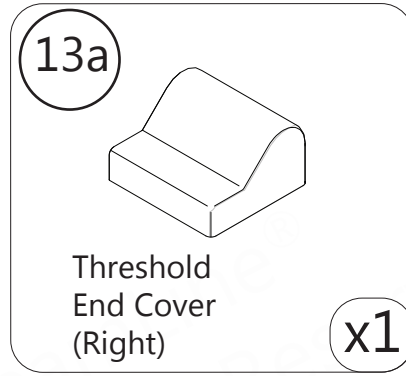
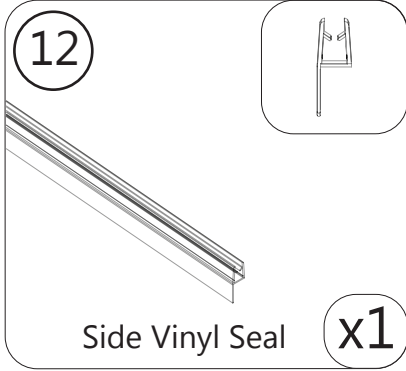
Threshold x1

11



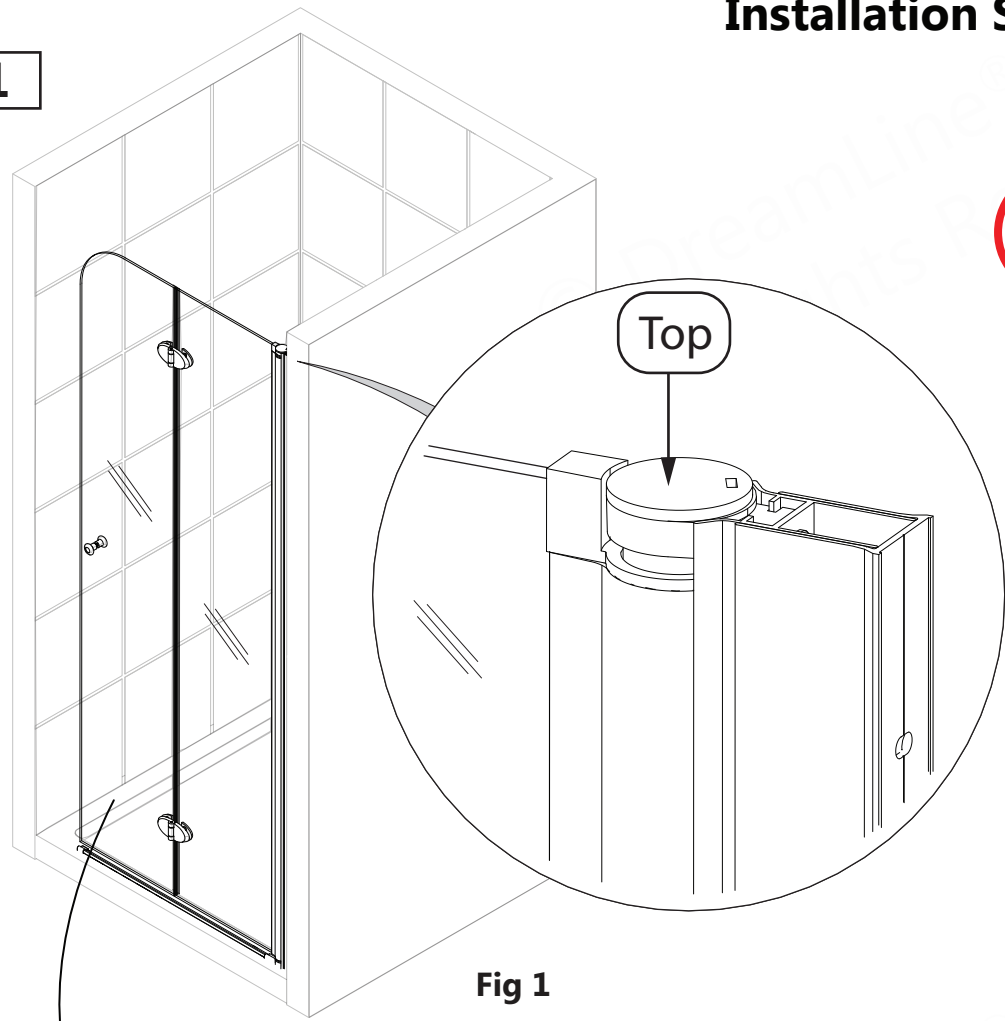
Bottom Sweep Vinyl x1

Parts List



Installation Steps

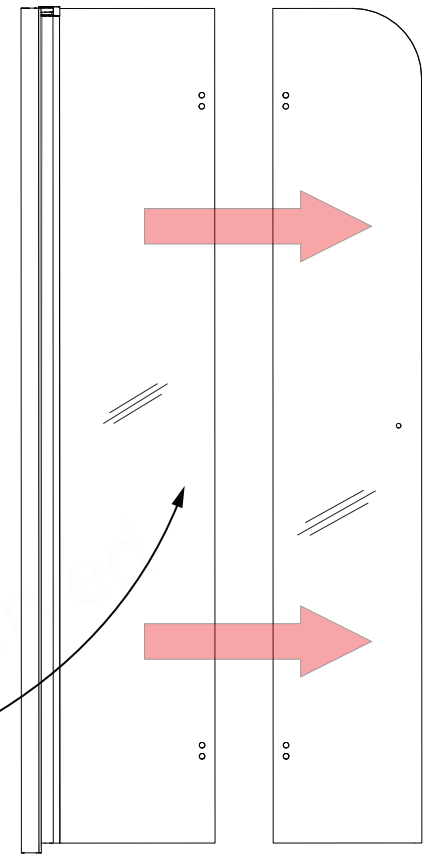
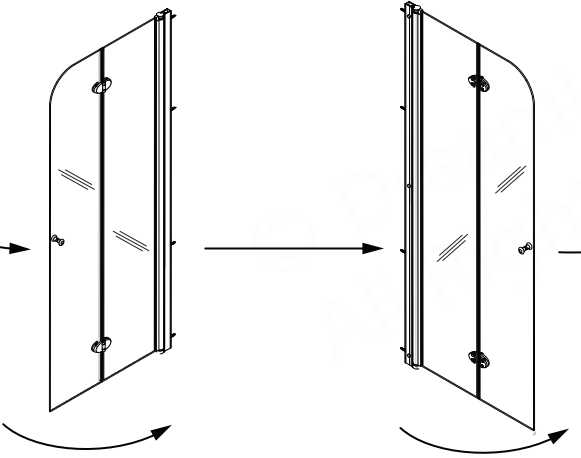
1



NOTE Prepare and orient the panels for Hinge installation.

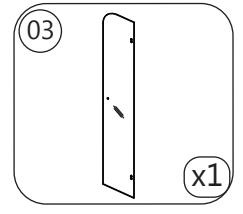
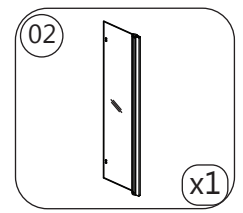
NOTE Right-hand installation shown. Reverse for left-hand installation.

Fig 1



Inside of Shower Door

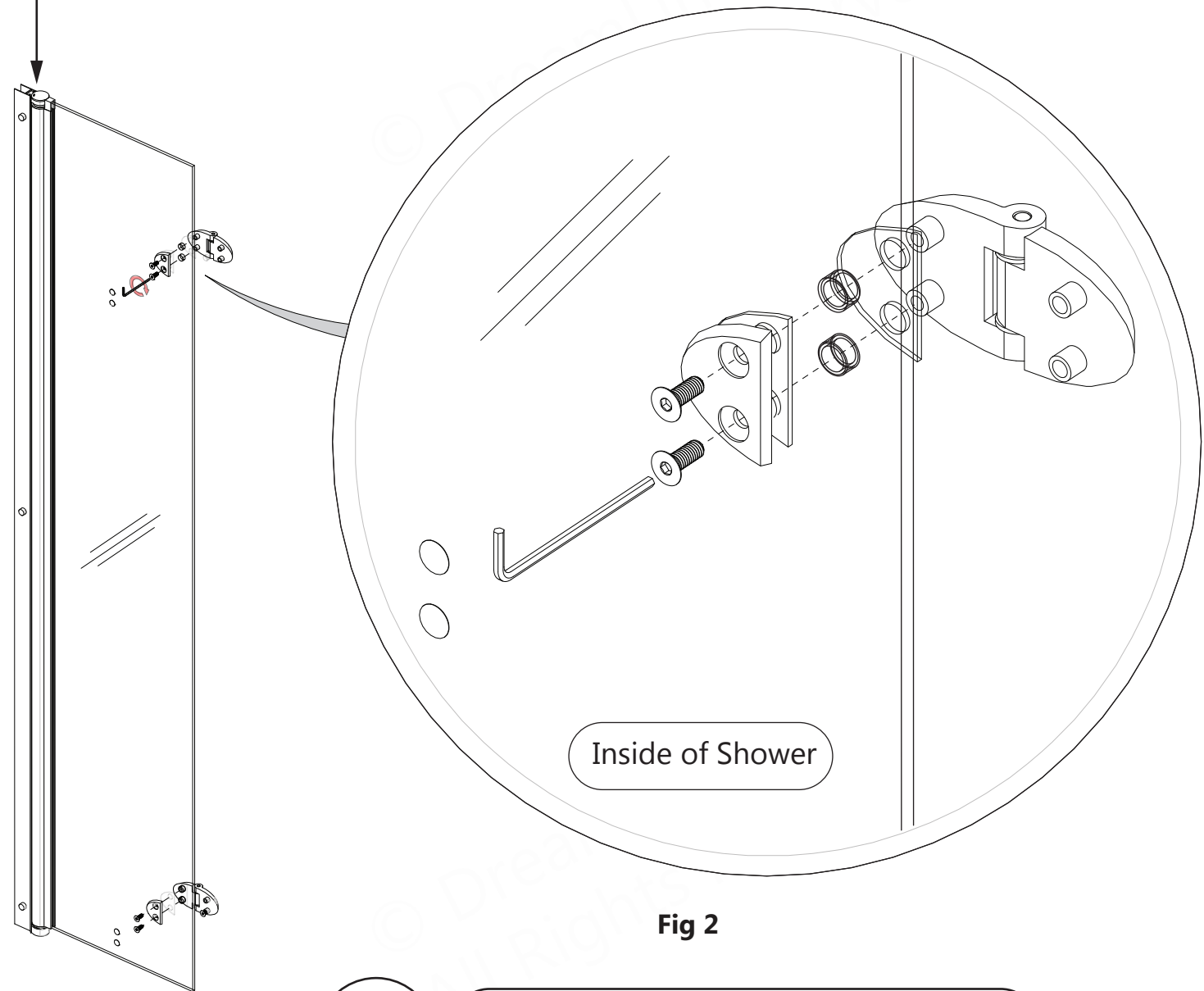
Parts Needed



2

Installing the Hinges on Door Glass #1 with Hinged Profile

Top



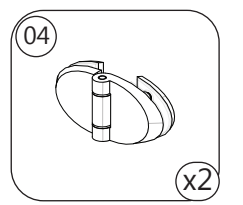
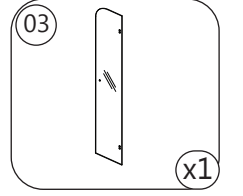
Inside of Shower

Fig 2



Be sure to use the gaskets on both sides of the glass to prevent glass to metal contact.

Parts Needed



Tools Needed



3

Installing Door Glass #2 on the Hinges



Make sure the top edges of both doors are evenly aligned and that the space between the doors is even from top to bottom

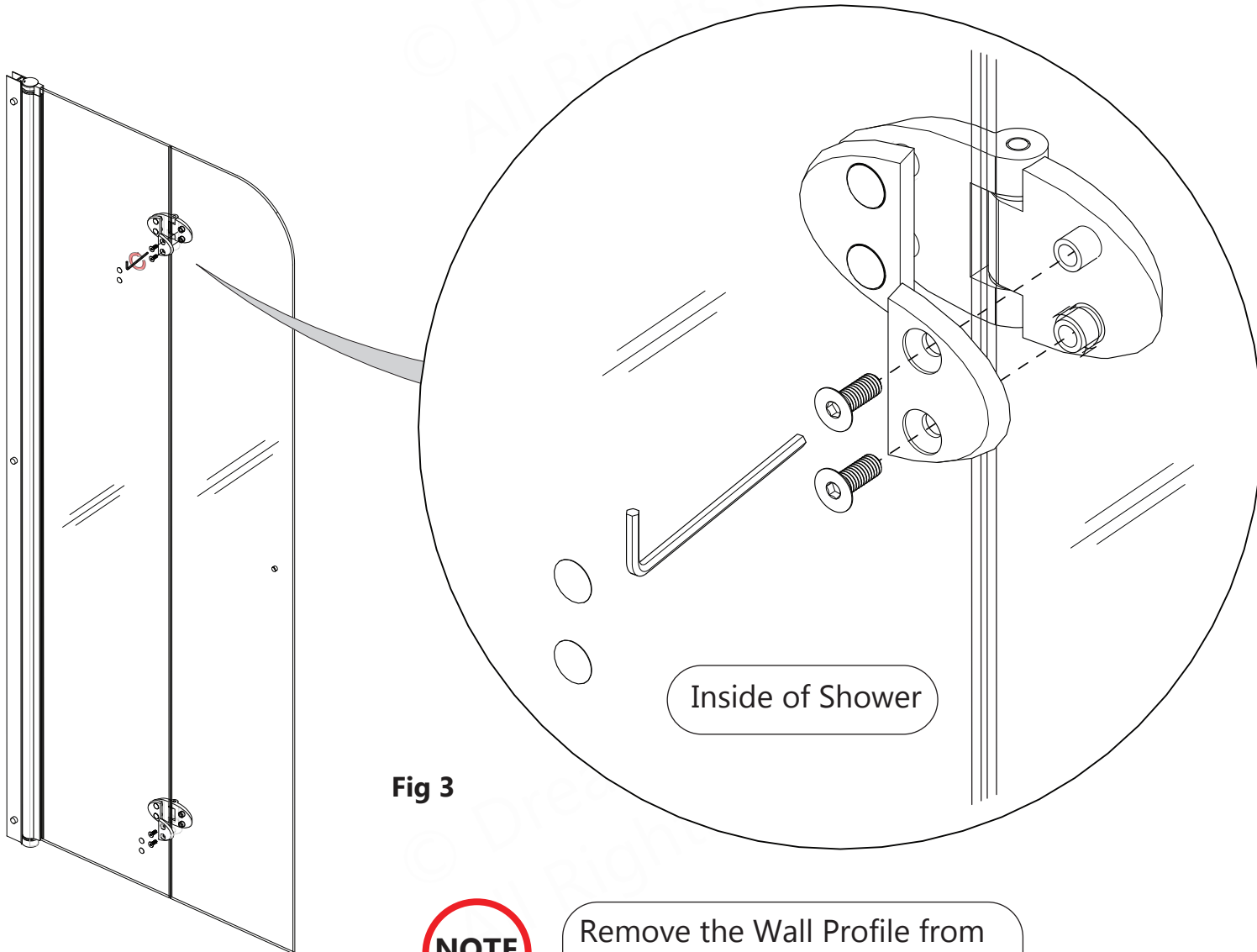
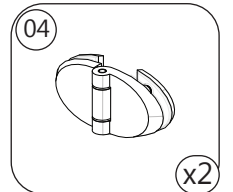
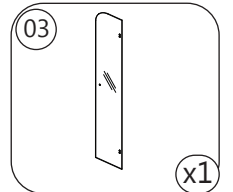
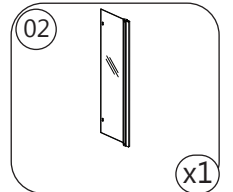


Fig 3



Remove the Wall Profile from the assembly for the next step.

Parts Needed

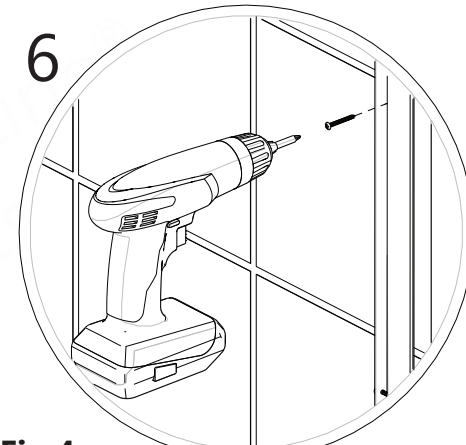
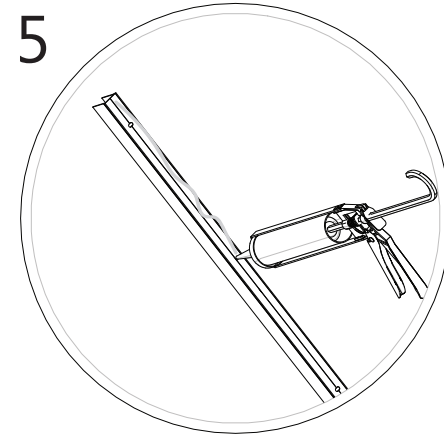
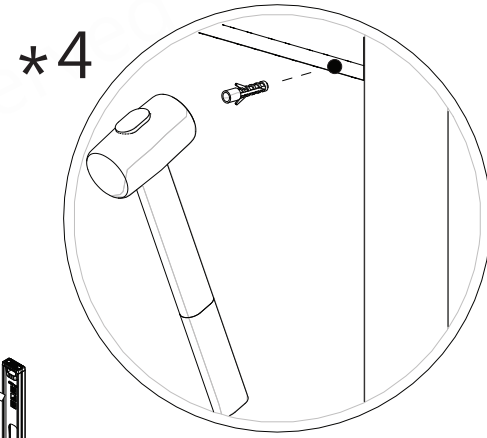
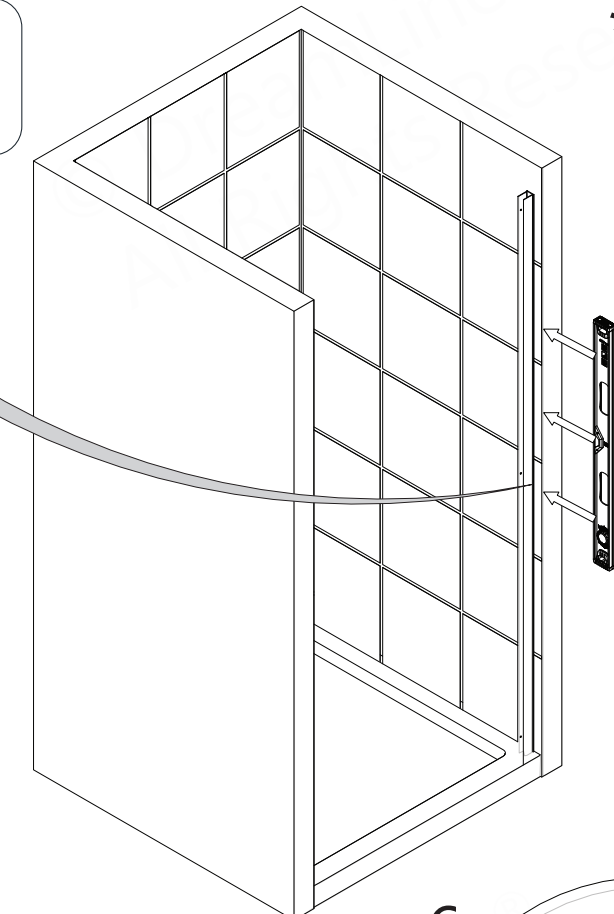
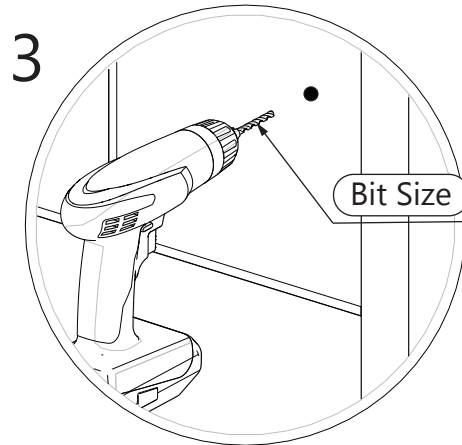
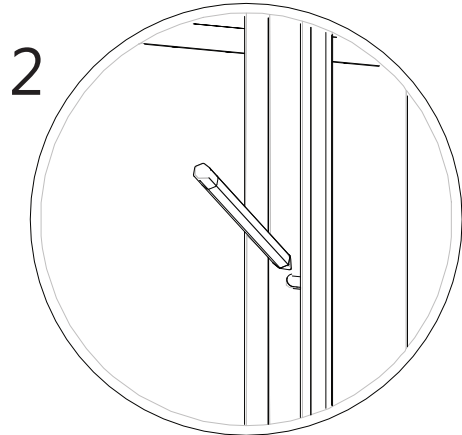
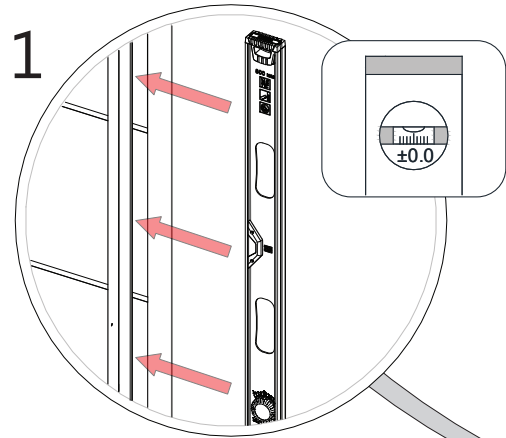


Tools Needed



4

Installing the Wall Profile



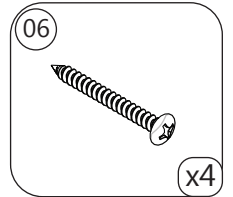
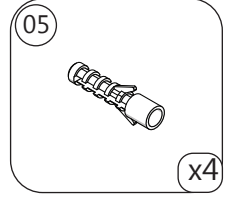
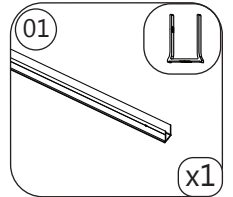
NOTE

5/16" (8mm) for wall anchors, or 3/16" (5mm) up to a stud in the wall, then 1/8" (3mm) pilot hole into the stud.

NOTE

* If needed (No wood in the wall)

Parts Needed



Tools Needed

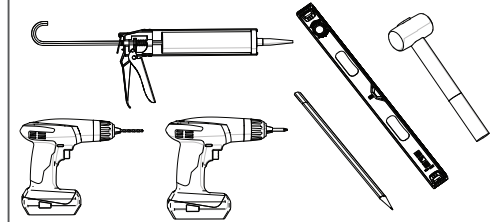


Fig 4

5

Installing the Door Assembly in the Wall Profile

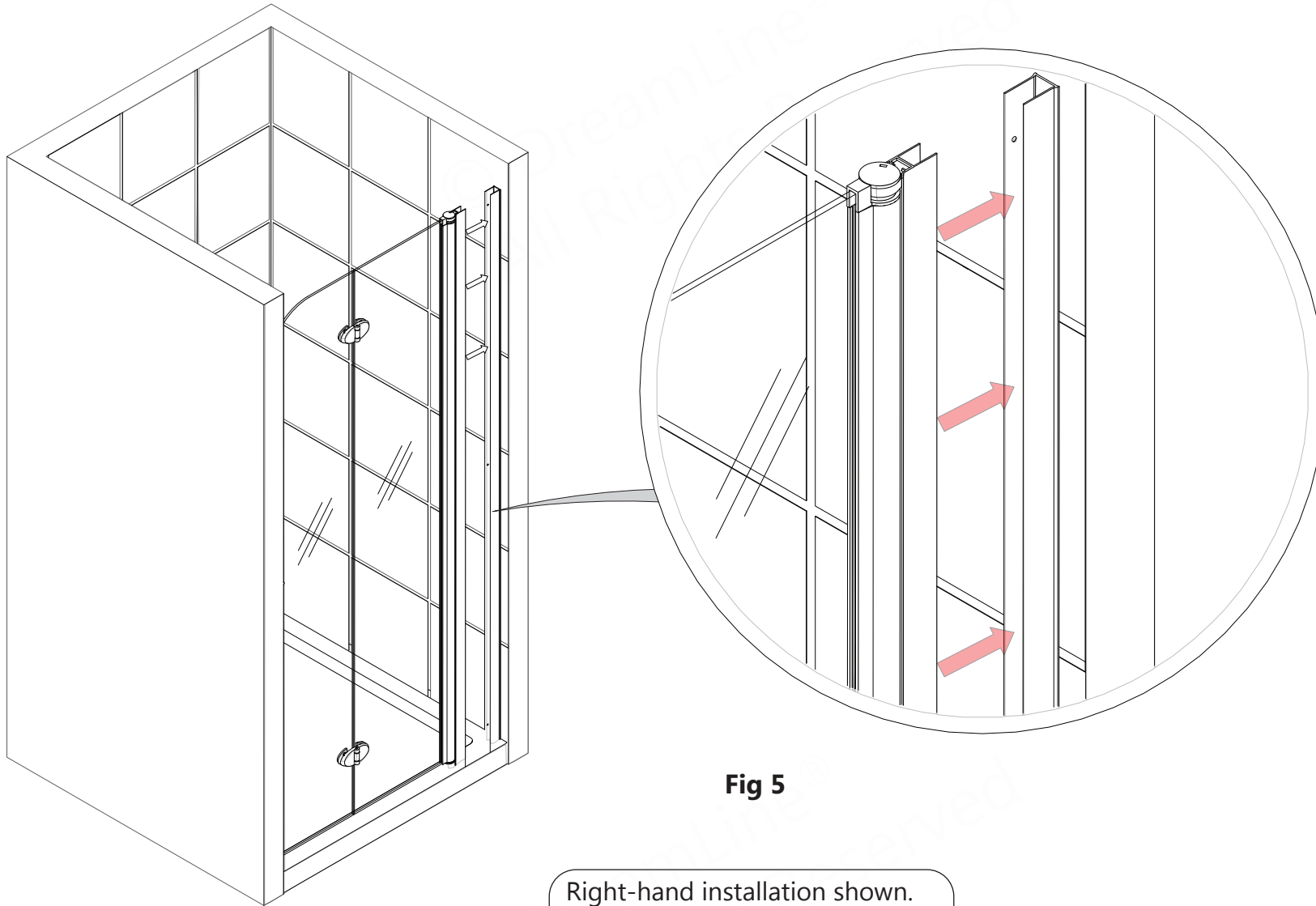


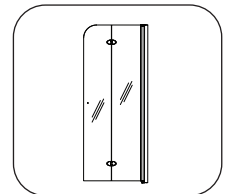
Fig 5

Right-hand installation shown.
Reverse for left-hand installation.

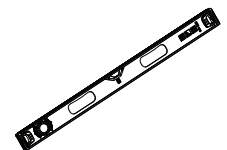


Check the door for level and adjust for out of plumb conditions prior to connecting the profiles together from inside the shower with screws, washers and caps.

Parts Needed

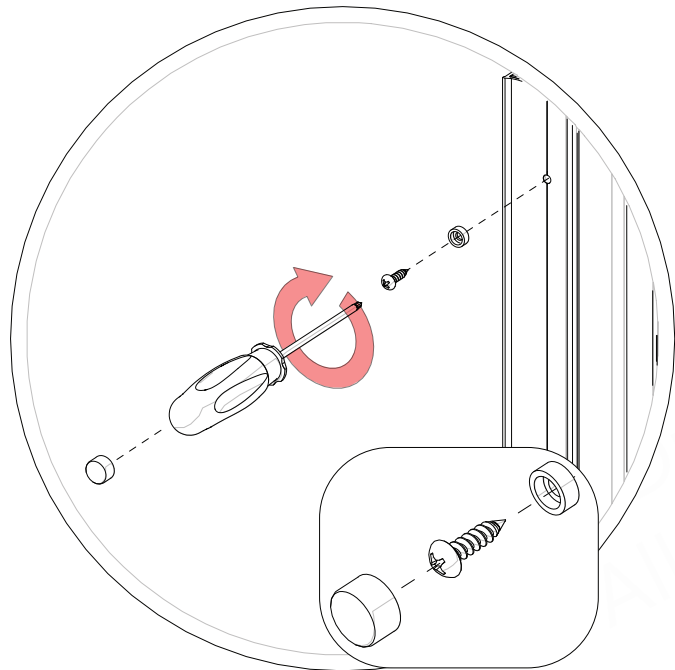
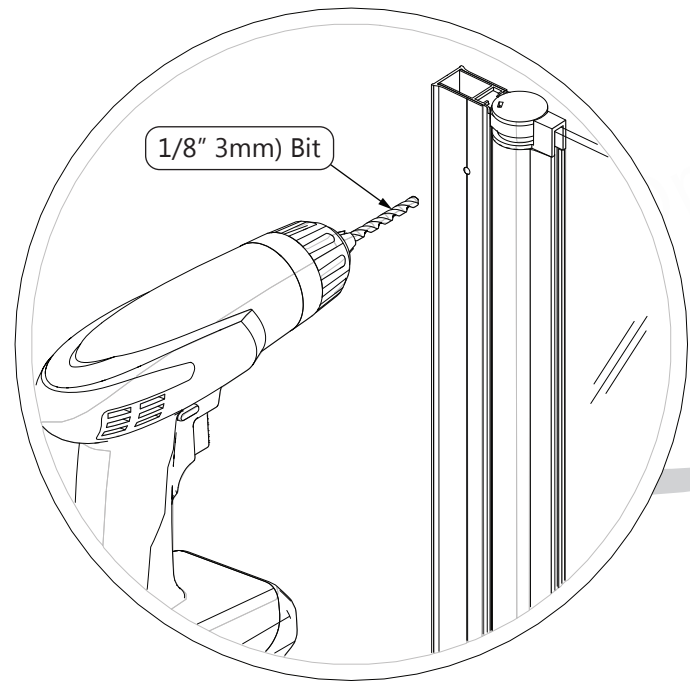


Tools Needed



6

Securing the Profiles



NOTE

Check the door for level and adjust for out-of-plumb conditions prior to connecting the profiles together from inside the shower with the **Screws, Washers and Caps**.

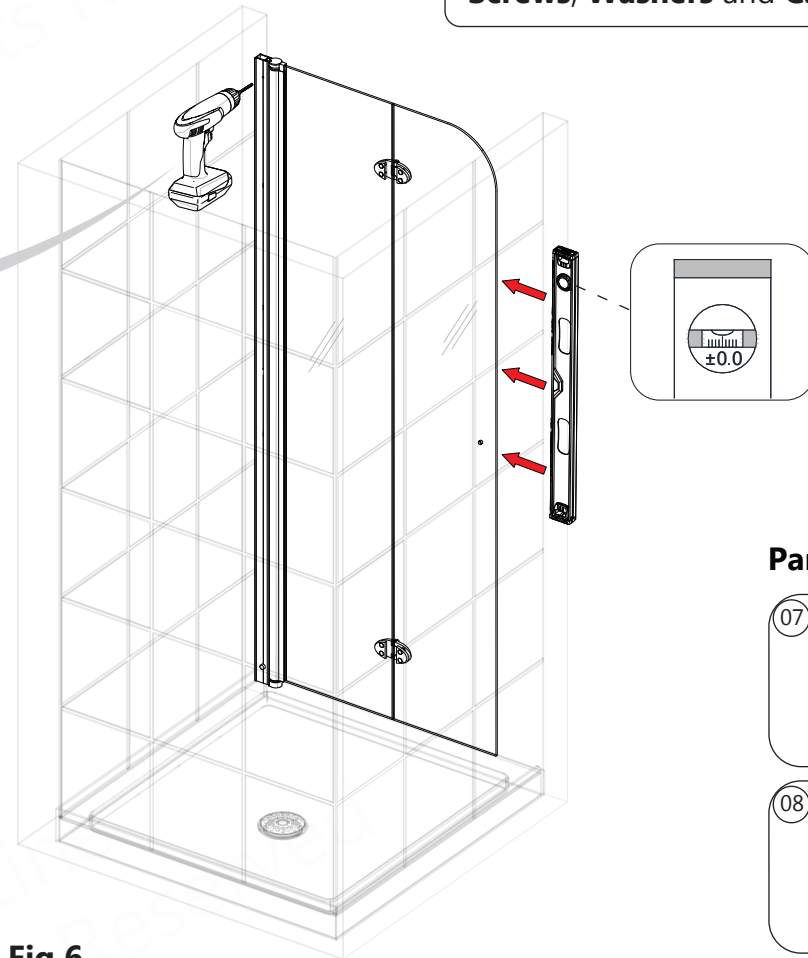
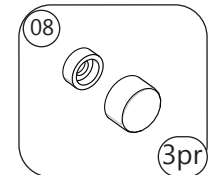
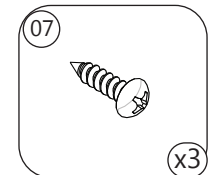


Fig 6

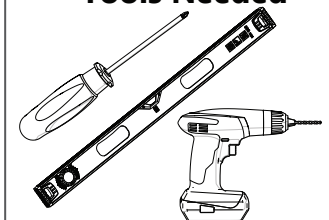
TIP

Drill only through one layer of metal. Use a hand-held Phillips screwdriver to prevent stripping the holes.

Parts Needed



Tools Needed

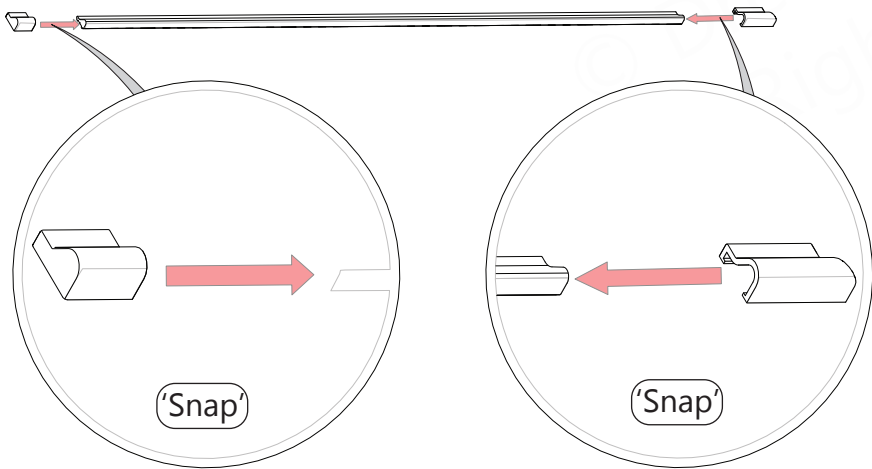


7

Installing the Threshold



Painter's tape can help keep the **Threshold** in place while the silicone sets up.



Right-hand installation shown.
Reverse for left-hand installation.

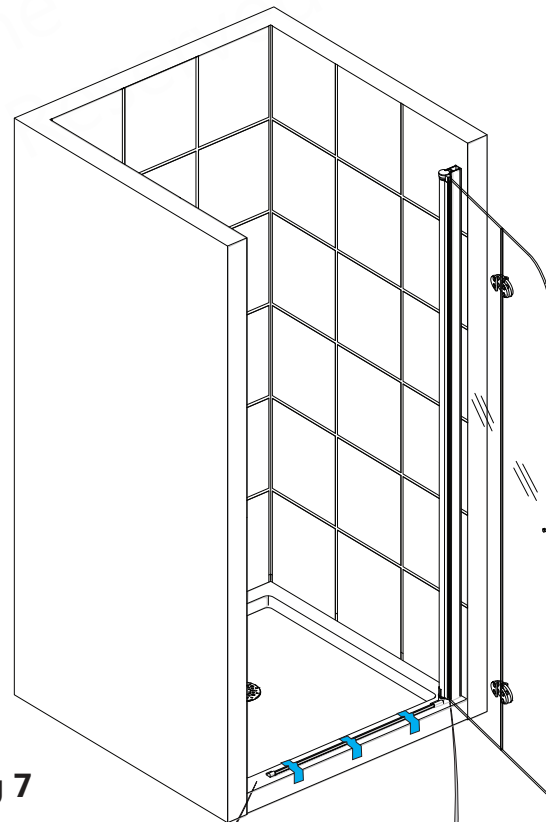
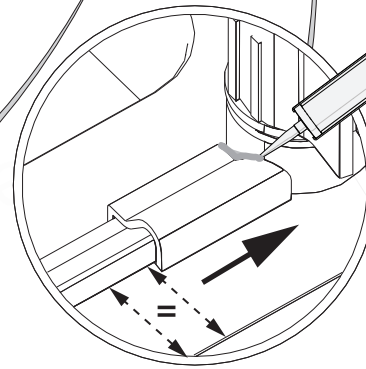
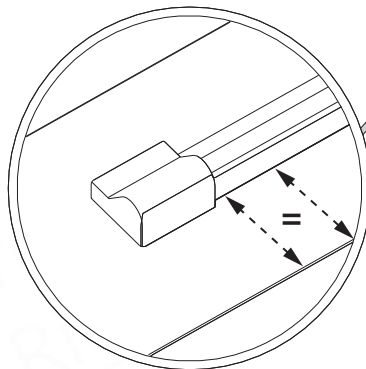
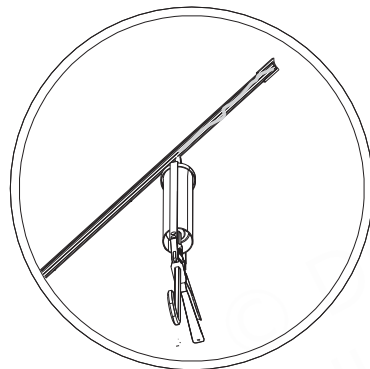

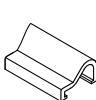
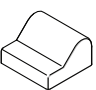


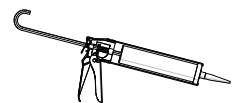
Fig 7



Parts Needed

- 10  (x1)
- 09  (1set)
- 13  (1set)

Tools Needed



Allow the silicone to set up before proceeding to the next step.

8

Measuring, Cutting & Installing the Sweep Vinyls

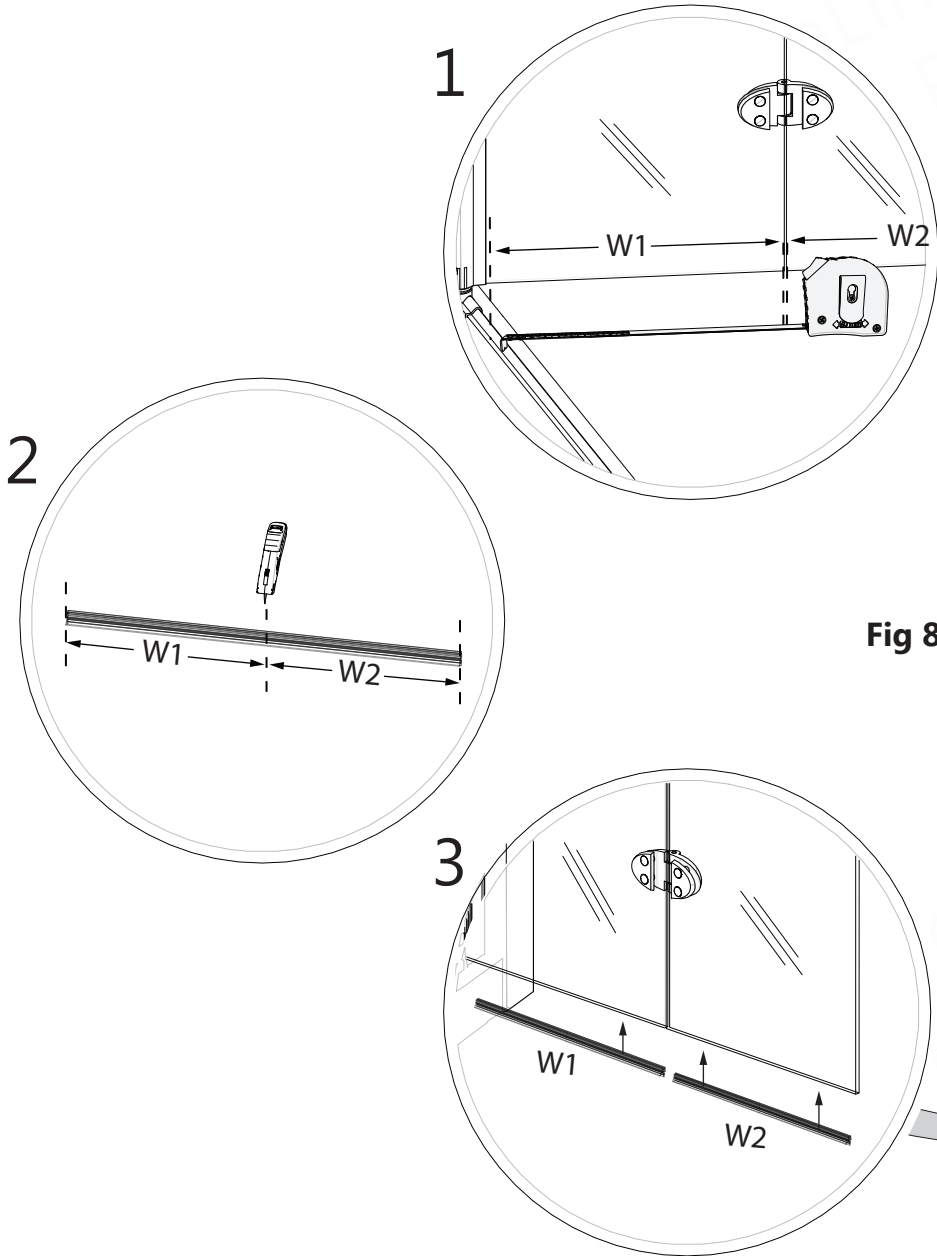
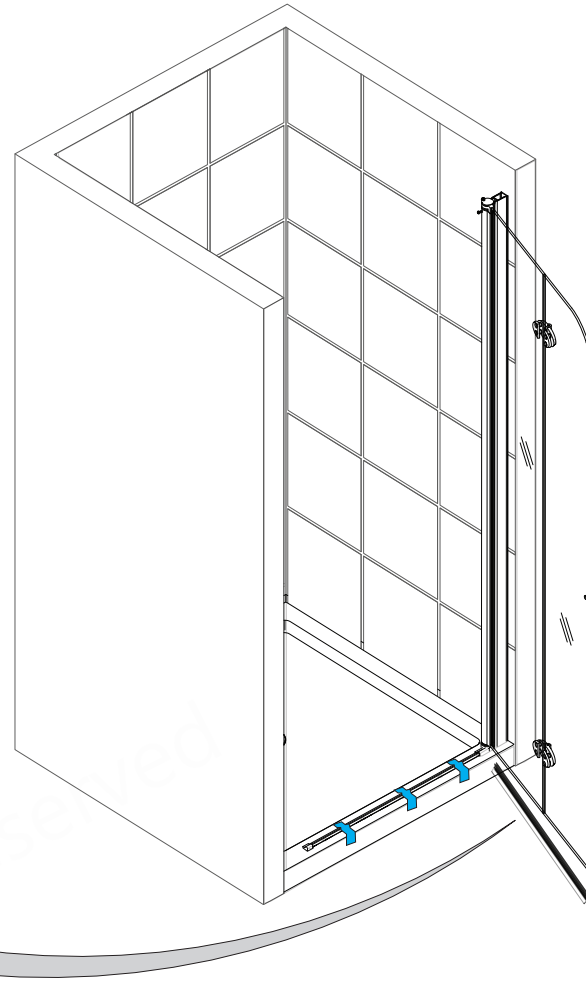
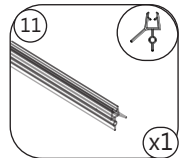


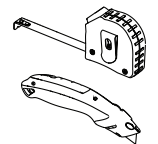
Fig 8



Parts Needed



Tools Needed



9

Installing the Side Vinyl Seal

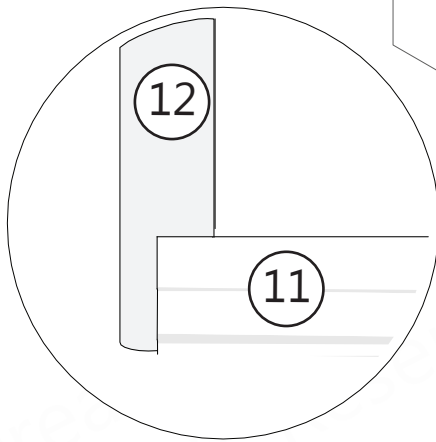
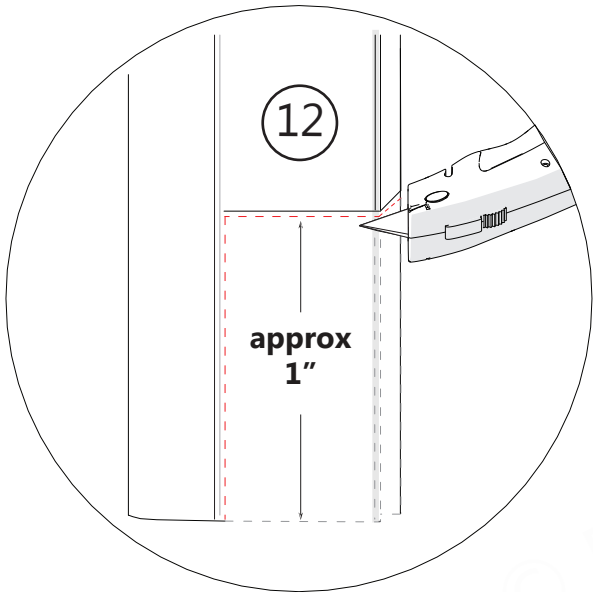
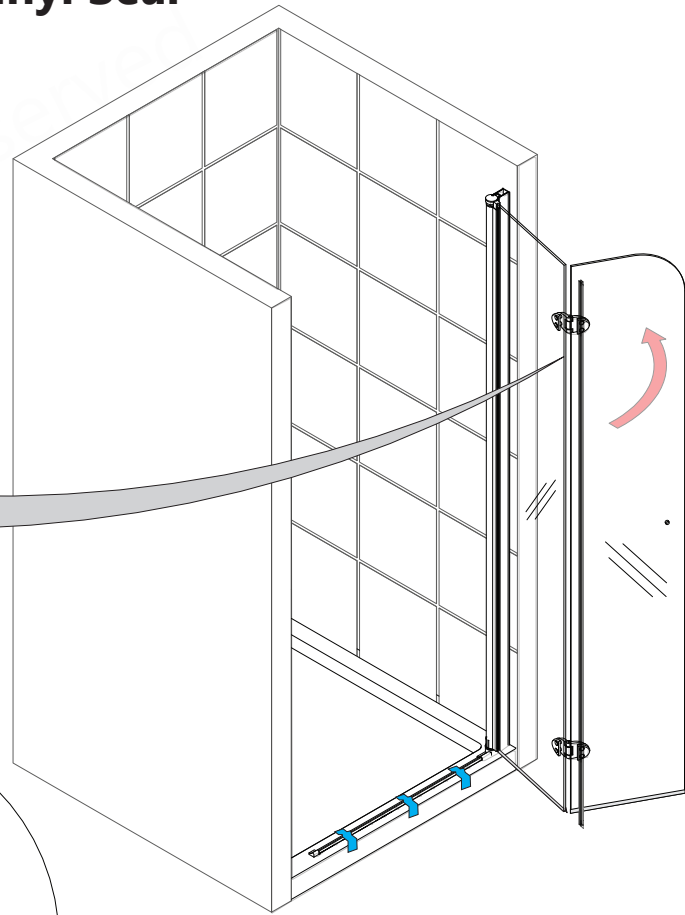
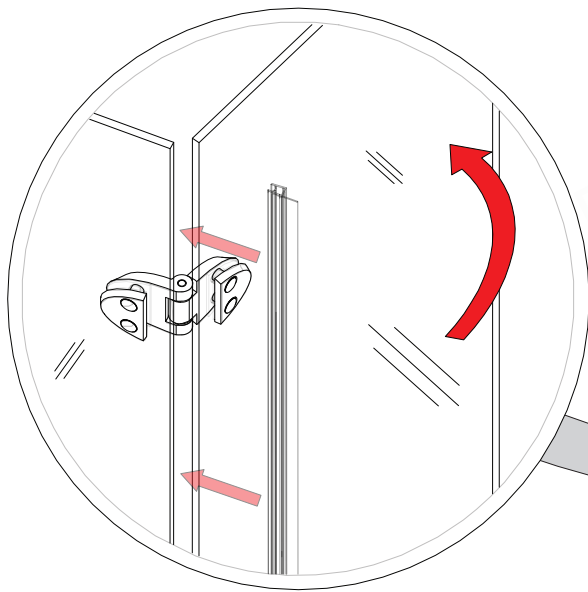
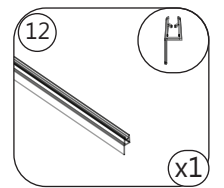


Fig 9



Use a razor knife to notch the **Vertical Vinyl Seal (#12)** to fit around the **Bottom Sweep Vinyl (#11)** as shown to prevent leaks. **Fig 9**

Parts Needed



10

Installing the Handle

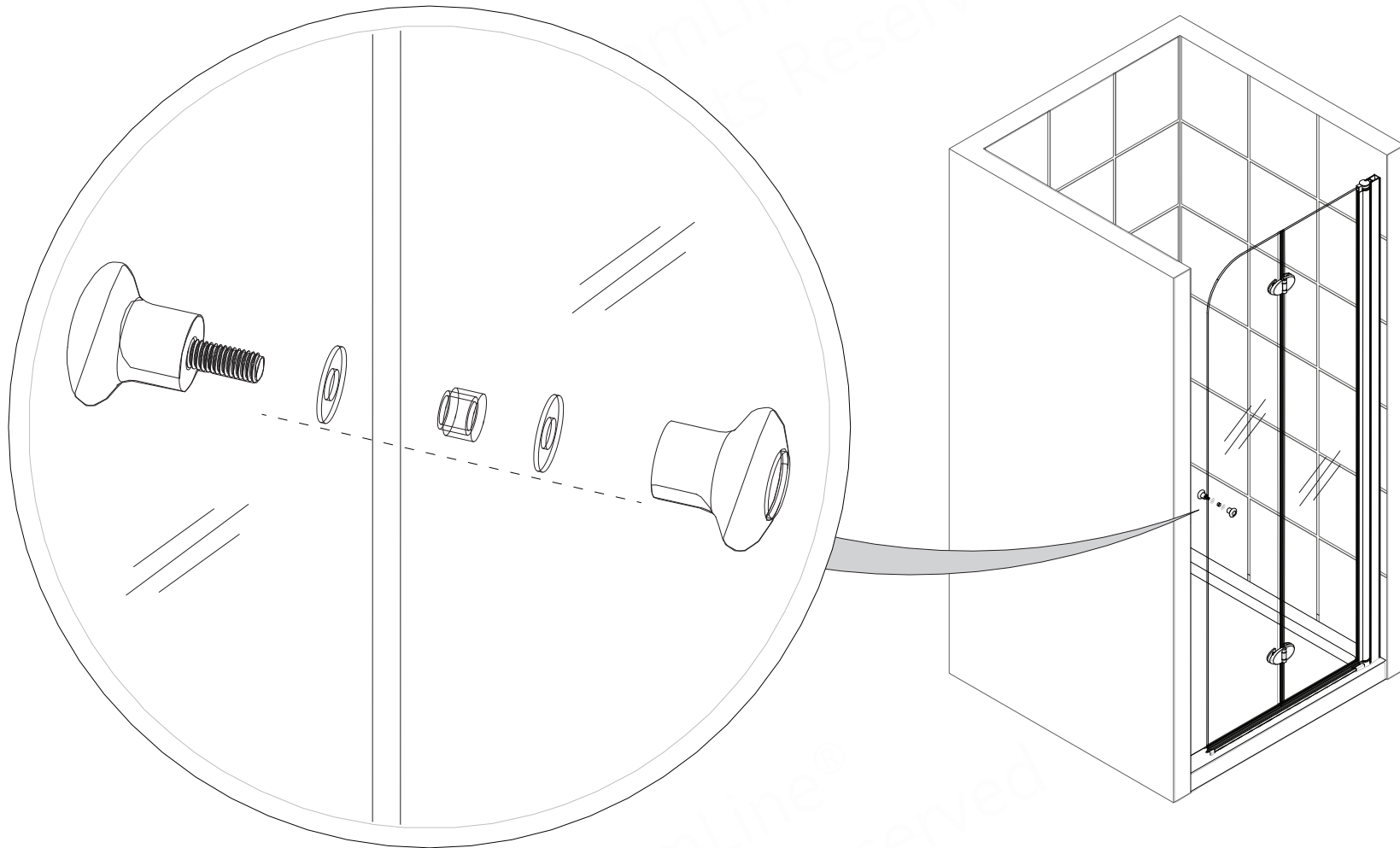
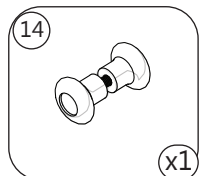


Fig 10



Warning: To avoid damage to the glass, always use caution when folding the doors. Make sure the metal **Handle** does not contact the **Door Glass**.

Parts Needed



11

Apply Silicone to the Interior Perimeter

NOTE

Use a high-quality, mildew-resistant silicone to seal the interior perimeter of the shower door. Allow 24 hours for the silicone to cure before using the shower.

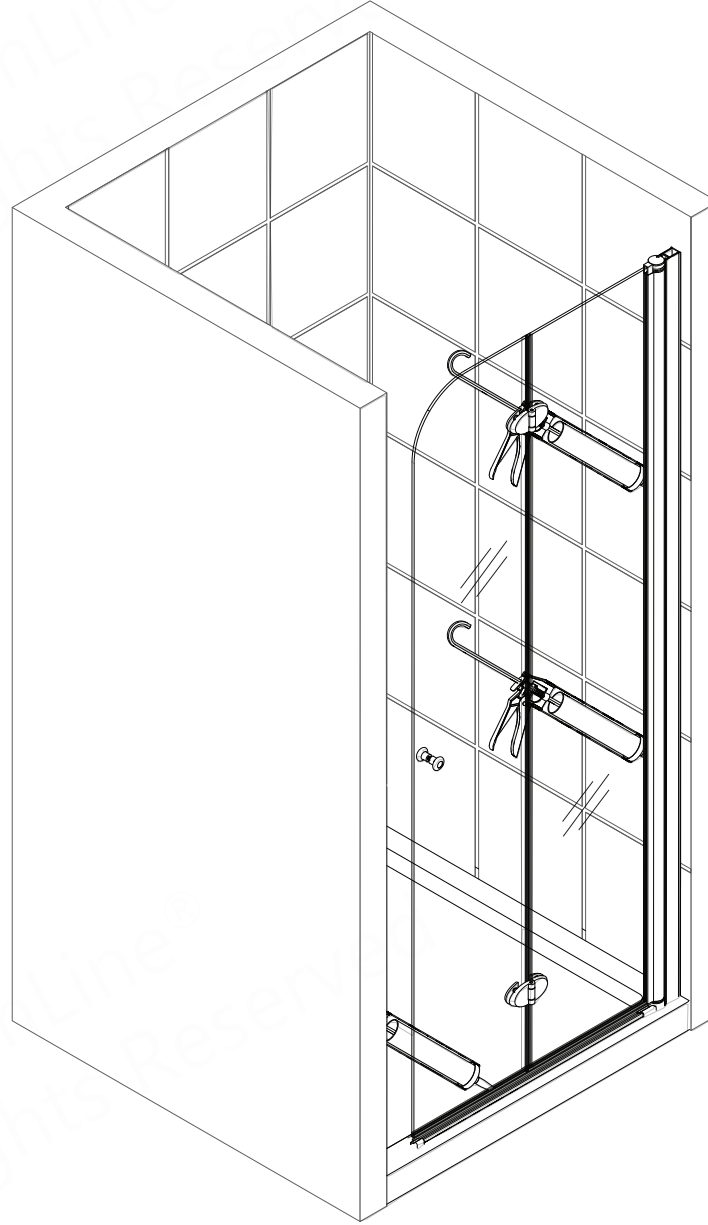
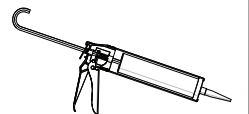


Fig 11

Tools Needed



Product Maintenance

BASES and BACKWALLS: To ensure long lasting life for your acrylic back walls: wipe them off after each use with a soft cloth. To clean the acrylic back walls use non-abrasive sprays or cream based cleaners. Avoid the use of aerosol spray cleaners. Never use abrasive cleansers, metal brushes or scrapers that could permanently scratch or dull the surface.

GLASS: To ensure long lasting life for your glass shower products: wipe them off after each use with a soft cloth. Rinse and wipe off the glass using either a soft cloth or a squeegee to prevent soap buildup and water spots (Hard water can etch the surface of the glass over time if left to dry). To prevent scratching the surface: never use abrasive cleaners or cleaning products that contain scouring agents. Never use bristle brushes or abrasive sponges that may scratch the surface of the glass.

HARDWARE: To ensure a long lasting finish: wipe off all metal parts after each use with a soft cloth. Do not use abrasive cleaners or cleaning products containing ammonia, bleach or acid. If accidentally used, rinse the surface as soon as possible to prevent damage to the finish (peeling or corrosion). After cleaning the polished finishes, rinse thoroughly and wipe dry with a soft clean-cloth.

Clean stainless steel surfaces at least once a week. When applying stainless steel cleaner or polish to stainless steel hardware, work with the grain (not across the grain). Never use an abrasive sponge or cloth, steel wool or wired brush as these may permanently scratch the surfaces.



To maximize the life of your door, it is important to regularly inspect the glass and other hardware for misalignment, proper attachment, and/or damage. Contact DreamLine® with any questions or concerns.

AQUA FOLD Maintenance Checklist

- Check that the unit is stable, operates smoothly and that installation is secure.
- Confirm that all screws/bolts are tight.
- Confirm that all vinyl seals are intact (replace if missing or damaged to prevent water leakage.)
- Inspect exposed and concealed glass edges for damage (**damaged glass must be replaced!**)
- Inspect silicone caulk for gaps. Replace silicone as necessary to prevent water leakage.

Troubleshooting

Problem/Symptom	Suggested Solution
Missing Parts	<ul style="list-style-type: none"> • Check all shipping/packaging material for missing parts/components. • If not found, contact DreamLine Customer Support [1-866-731-2244] to order factory part replacement.
Door is not operating smoothly	<p>Check the Vinyl Seals for proper trimming and installation</p> <ul style="list-style-type: none"> • Confirm the Hinges (#04) are tightly secured to the Door Glass. See Hinge Installation instructions on pages 9 and 10. • Confirm the Sweep Vinyl (#11) is tightly secured to the bottom of the Door Glass (#02, #03) as seen on page 15. • Confirm the Side Vinyl Seal (#12) is correctly notched around the Bottom Sweep Vinyl (#11) as seen on page 16.
Handle (#14) rattles during operation	<ul style="list-style-type: none"> • Confirm the vinyl gaskets are present and the knob is tightly secured to the glass.



The Aqua Fold Shower/Tub Door is designed to swing out.



Prior to contacting DreamLine® Customer Service, please have the following information readily available:

- Purchase Order Information
 - Name, PO Number, Dealer/Vendor Name, etc.
- SKU/Model Number (see Cover Page)
- Factory Part Information (see Pages 21-23)

Factory Parts Information

	Factory Part #	Item Description	Item Specification	Qty
	SHDR-3630720-0 X	AQUAFOLD (3072) Ground Pack	EF063 AQUAFOLD(3072)	1
1	041240 X 1-1830	Wall Profile	LC124/Chrome/1830mm	1
2	220630 X 01	Door Glass # 1 w/Hinged Profile	(3072)Chrome	1
3	010063006	Door Glass #2	1808X322X6 Clear	1
4	0741 X 014	Hinge	GP-918/ brass/ chrome	2
5	7552148	Wall Anchor	Ø8mm*L37mm/ plastic/ white	6
6	090108	Phillips Screw ST 4.2x40mm	ST4.2x40/Stainless steel	7
7	091102	Phillips Short Round Head Screw ST4.0 x 16mm	ST4.0×16/Stainless steel	6
8	0755 X 011	Decorative cover and Washer	M4/ plastic/ chrome	6
9a	0755 X 057	Threshold Connector-Right	Arc angle-R/ plastic/ chrome	1
9b	0755 X 058	Threshold Connector-Left	Arc angle-L/ plastic/ chrome	1
10	040920 X 1-0760	Threshold	LC092/Chrome/760mm	1
11	063015060-0678	Bottom Sweep Vinyl	678mm/Clear/For 6mm Glass/Soft Lip 16mm	1
12	063005060-1818	Side Vinyl Seal	1818mm/Clear/For 6mm Glass/Soft Lip 12mm	1
13a	0755 X 077	Threshold End Cover - Right	2# Corner-L/ plastic plastic/ chrome	1
13b	0755 X 078	Threshold End Cover - Left	2#Corner Angle-right/ plastic plastic/ chrome	1
14	0721 X 028	Knob Handle	∅ 30X25mm/ SS304/ chrome	1

BOLD ("X") indicates finish:

1 or 8 = Polished SS

4 or 5 or 7 = Brushed SS

6 = Oil Rubbed Bronze

9 = Satin Black

Contact Support@DreamLine.com for Part replacement, installation assistance or additional information.

Complete **Warranty** information is available on DreamLine.com.

Factory Parts Information

Item #	Factory Part #	Item Description	Item Specification	Qty
	SHDR-3634720-0X	AQUAFOLD (3472) Ground Pack	EF063 AQUAFOLD(3472)	1
1	041240 X 1-1830	Wall Profile	LC124/Chrome/1830mm	1
2	220630 X 02	Door Glass # 1 w/Hinged Profile	(3472)Chrome	1
3	010063004	Door Glass #2	1808X373X6 Clear	1
4	0741 X 014	Hinge	GP-918/ brass/ chrome	2
5	07552148	Wall Anchor	Ø8mm*L37mm/ plastic/ white	6
6	090108	Phillips Screw ST 4.2x40mm	ST4.2x40/Stainless steel	7
7	091102	Phillips Short Round Head Screw ST4.0 x 16mm	ST4.0x16/Stainless steel	6
8	0755 X 011	Decorative cover and Washer	M4/ plastic/ chrome	6
9a	0755 X 057	Threshold Connector-Right	Arc angle-R/ plastic/ chrome	1
9b	0755 X 058	Threshold Connector-Left	Arc angle-L/ plastic/ chrome	1
10	040920 X 1-0760	Threshold	LC092/Chrome/760mm	1
11	063015060-0780	Bottom Sweep Vinyl	780mm/Clear/For 6mm Glass/Soft Lip 16mm	1
12	063005060-1818	Side Vinyl Seal	1818mm/Clear/For 6mm Glass/Soft Lip 12mm	1
13a	0755 X 078	Threshold End Cover-Right	2#Corner Angle-right/ plastic plastic/ chrome	1
13b	0755 X 077	Threshold End Cover-Left	2# Corner-L/ plastic plastic/ chrome	1
14	0721 X 028	Knob Handle	Ø 30X25mm/ SS304/ chrome	1

BOLD ("**X**") indicates finish:

1 or 8 = Polished SS

4 or 5 or 7 = Brushed SS

6 = Oil Rubbed Bronze

9 = Satin Black

Contact Support@DreamLine.com for Part replacement, installation assistance or additional information.

Complete **Warranty** information is available on DreamLine.com.

Factory Parts Information

Item #		Item Description	Item Specification	Qty
	SHDR-3636580-0 X	AQUAFOLD (3658) Ground Pack	EF063 AQUAFOLD(3658)	1
1	041240 X 1-1473	Wall Profile	LC124/Chrome/1473mm	1
2	220630 X 03	Door Glass #1 w/Hinged Profile	(3658)Chrome	1
3	010063002	Door Glass #2	1452X404X6 Clear	1
4	0741 X 014	Hinge	GP-918/ brass/ chrome	2
5	07552148	Wall Anchor	Ø8mm*L37mm/ plastic/ white	6
6	090108	Phillips Screw ST4.2 x 40mm	ST4.2x40/Stainless steel	7
7	091102	Phillips Short Round Head Screw ST4.0 x 16mm	ST4.0×16/Stainless steel	6
8	0755 X 011	Decorative cover and Washer	M4/ plastic/ chrome	6
9a	0755 X 057	Threshold Connector-Right	Arc angle-R/ plastic/ chrome	1
9b	0755 X 058	Threshold Connector-Left	Arc angle-L/ plastic/ chrome	1
10	040920 X 1-0823	Threshold	LC092/Chrome/823mm	1
11	063015060-0841	Bottom Sweep Vinyl	841mm/Clear/For 6mm Glass/Soft Lip 16mm	1
12	063005060-1463	Side Vinyl Seal	1463mm/Clear/For 6mm Glass/Soft Lip 12mm	1
13a	0755 X 078	Threshold End Cover-Right	2#Corner Angle-right/ plastic plastic/ chrome	1
13b	0755 X 077	Threshold End Cover-Left	2# Corner-L/ plastic plastic/ chrome	1
14	0721 X 028	Knob Handle	Ø 30X25mm/ SS304/ chrome	1

BOLD ("**X**") indicates finish:

1 or 8 = Polished SS

4 or 5 or 7 = Brushed SS

6 = Oil Rubbed Bronze

9 = Satin Black

Contact Support@DreamLine.com for Part replacement, installation assistance or additional information.

Complete **Warranty** information is available on DreamLine.com.



TEL: 866-731-2244
FAX: 866-857-3638
DREAMLINE.COM



For more information on DreamLine® Shower Doors and Enclosures please visit **DreamLine.com**