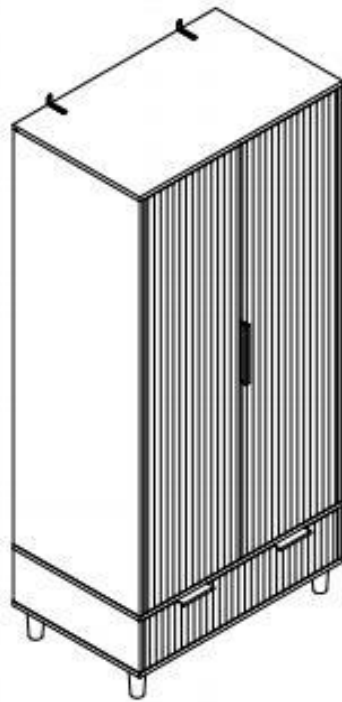


WARDROBE CLOSET

ASSEMBLY INSTRUCTION








▲ IMPORTANT

THIS INSTRUCTION BOOKLET CONTAINS IMPORTANT SAFETY INFORMATION.
PLEASE READ AND KEEP FOR FUTURE REFERENCE.

BEFORE STARTING

Before Using Product

-  Read each step carefully before starting. It is very important that each step is performed in the correct order. If these steps are not followed in sequence, assembly difficulties will occur.
-  Make sure all parts are included. Most board parts are labeled or stamped on the raw edge.
-  Prepare a flat and Philips screwdriver (not included)
A Power Screwdriver is recommended.
-  Work in a spacious area and near where the unit will be used, preferably on a carpet, or use a piece of the cardboard packaging to protect your floor and product.
-  For a smooth assembly process, we suggest you keep a lite tightness for all the screws during assembly. After the whole product is assembled, firmly tighten all the screws.



 Estimated Time for Assembly
1.5-2.5 hours

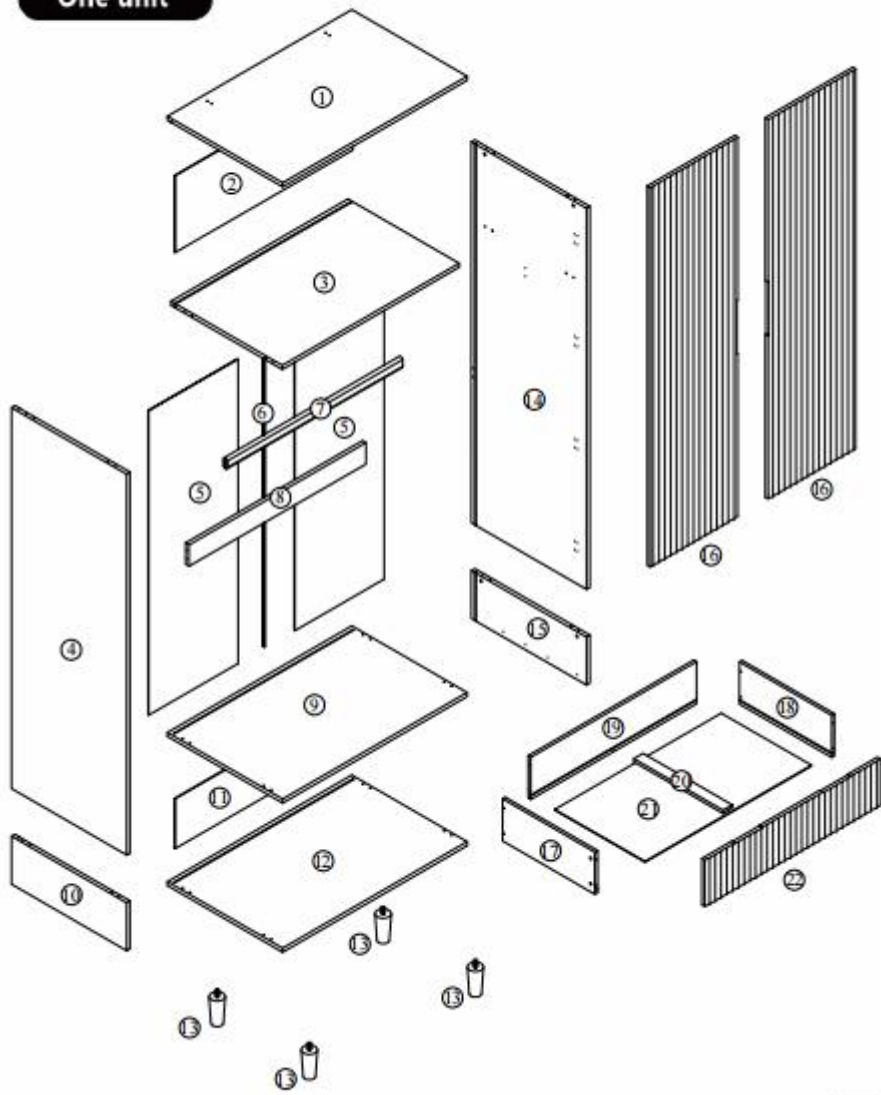
 Estimated People for Assembly
2

WARNING :

- Do not allow children to climb on unit
- Serious or fatal crushing injuries can occur from furniture tip-over. To prevent this furniture from tipping over, it must be permanently fixed to the wall. Fixing devices for the wall are not included since different wall materials require different types of fixing devices. Use fixing devices suitable for the walls in your home. For advice on suitable fixing systems, contact your local specialized dealer
- Avoid sharp objects or corrosive chemicals to prevent damage to the product
- During assembly, keep parts and packaging materials away from children and pets as there could be potential injury and choking hazards

IDENTIFY PARTS

One unit



COMPONENTS

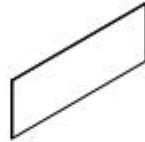
1



799x499x15mm

Top Panel x1

2



774x287mm

Upper Back Panel x1

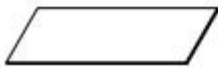
3



767x481x15mm

Upper Shelf x1

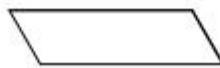
4



1430x498x15mm

Upper Left Panel x1

5



1142x387mm

Middle Back Panel x2

6



1128mm

Plastic Strip x1

7



761mm

Clothes Hanging Rod x1

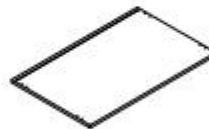
8



767x79x15mm

Rear Brace x1

9



799x499x15mm

Lower Shelf x1

COMPONENTS

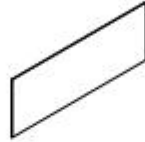
1



799x499x15mm

Top Panel x1

2



774x287mm

Upper Back Panel x1

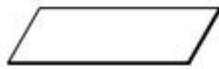
3



767x481x15mm

Upper Shelf x1

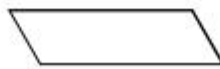
4



1430x498x15mm

Upper Left Panel x1

5



1142x387mm

Middle Back Panel x2

6



1128mm

Plastic Strip x1

7



761mm

Clothes Hanging Rod x1

8



767x79x15mm

Rear Brace x1

9



799x499x15mm

Lower Shelf x1

COMPONENTS

10



498x180x15mm
Bottom Left Panel x1

11



774x187mm
Lower Back Panel x1

12



799x498x15mm
Bottom Panel x1

13



100x50x38mm
Support Leg x4

14



1430x498x15mm
Upper Right Panel x1

15



498x180x15mm
Bottom Right Panel x1

16



1424x380x15mm
Door Panel x2

17



400x157x12mm
Drawer Left Panel x1

18



400x157x12mm
Drawer Right Panel x1

COMPONENTS

19



718x157x12mm

Drawer Back Panel x1

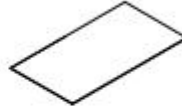
20



387x40x12mm

Drawer Bottom Support Bar x1

21



725x487mm

Drawer Bottom Panel x1




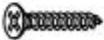
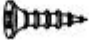
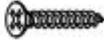




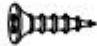

22



761x174x15mm



Drawer Front Panel x1

COMPONENTS

<p>A</p>  <p>+3(spare)</p> <p>Φ6X35mm Cam Bolt x21</p>	<p>B</p>  <p>+3(spare)</p> <p>Φ15X10mm Cam Lock x21</p>	<p>C</p>  <p>+3(spare)</p> <p>Φ6X30mm Wood Dowel x20</p>
<p>D</p>  <p>+1(spare)</p> <p>Φ4X35mm Screw x5</p>	<p>E</p>  <p>+3(spare)</p> <p>Φ3X12mm Screw x26</p>	<p>F</p>  <p>+1(spare)</p> <p>Φ5X40mm Screw x8</p>
<p>G</p>  <p>Clothes Rod Holder x2</p>	<p>H</p>  <p>Drawer Handle x2</p>	<p>I</p>  <p>Door Handle x2</p>
<p>J</p>  <p>Hinge x8</p>	<p>K</p>  <p>+5(spare)</p> <p>Φ4X 12mm Screw x48</p>	<p>L</p>  <p>Anti-collision Sticker x2</p>

COMPONENTS

M

M-1  M-2 
+2(spare)



Φ3X 16mm
Back Panel Wedge
& Screw x16

N


N-1  N-2 

Φ4X12mm
Screw & Anti-tipping Kit x2

O

O-1  O-2 

Φ4X45mm
Plastic Anchor & Screw x2


(spare)

Plastic Embedded Part x3

CL



Cabinet Left Side Rail x1

CR



Cabinet Right Side Rail x1

DL



Drawer Left Side Rail x1

DR



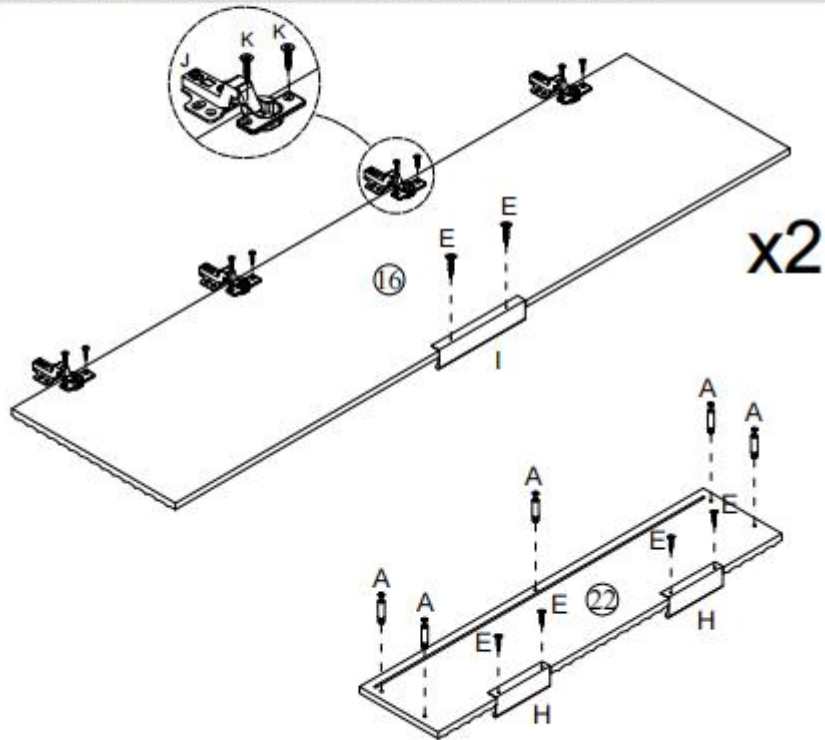
Drawer Right Side Rail x1

ASSEMBLY STEPS

A x 5	 $\varnothing 6 \times 35 \text{mm}$	E x 8	 $\varnothing 3 \times 12 \text{mm}$	H x 2		I x 2	
J x 8		K x 16	 $\varnothing 4 \times 12 \text{mm}$				

STEP 1

1. Fix the hinge (J) into the panel (16) with the screw (K).
2. Fix the door handle (I) into the panel (16) with the screw (E).
3. Fix the cam bolt (A) into the panel (22).
4. Fix the drawer handle (H) into the panel (22) with the screw (E).

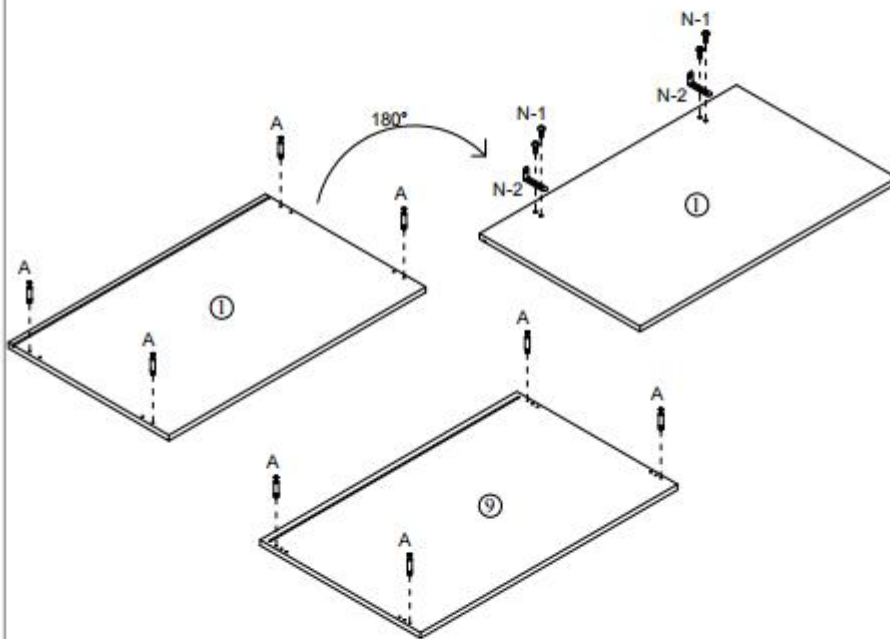


ASSEMBLY STEPS



STEP 2

1. Fix the cam bolt (A) into the panel (1) and lower shelf (9) respectively.
2. Flip over the panel (1) and fix the anti-tipping kit (N-2) into the panel with the screw (N-1).

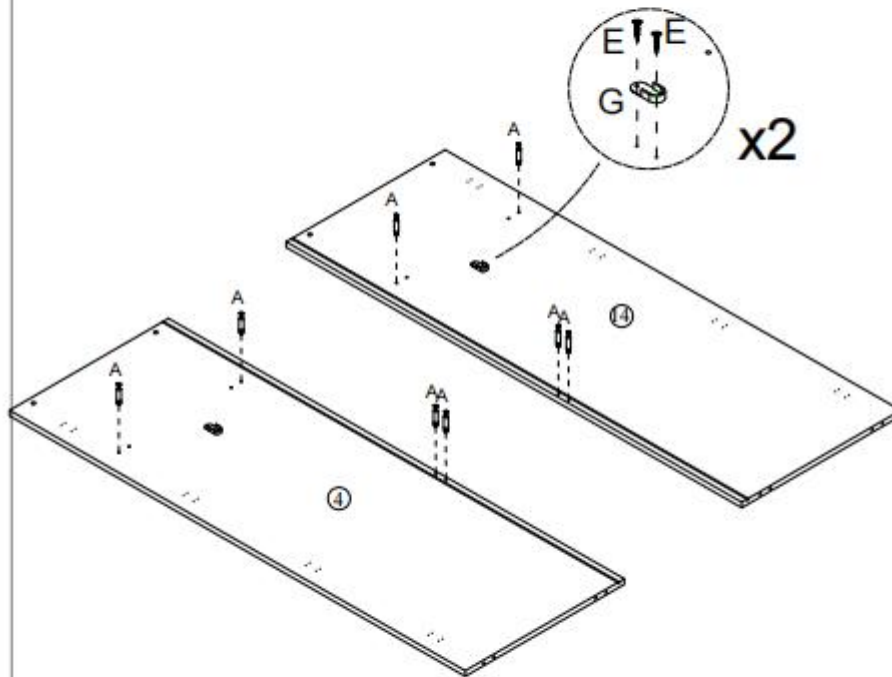


ASSEMBLY STEPS

A x 8	 $\varnothing 6 \times 35 \text{mm}$	E x 4	 $\varnothing 3 \times 12 \text{mm}$	G x 2	
-------	---	-------	---	-------	---

STEP 3

1. Fix the clothes rod holder (G) into the panel (4) and (14) respectively with the screw (E).
2. Fix the cam bolt (A) into the panel (4) and (14) respectively.

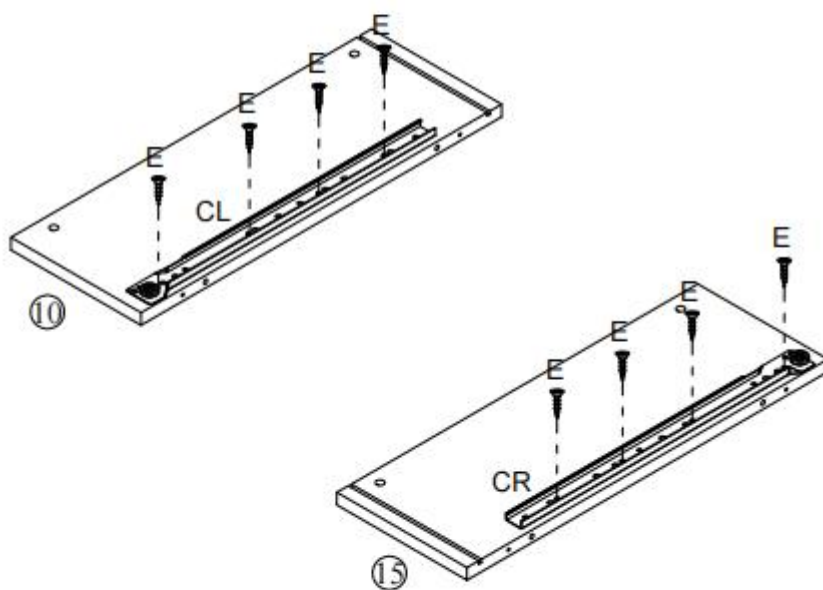


ASSEMBLY STEPS

E x 8	 $\varnothing 3 \times 12 \text{mm}$	CL x 1		CR x 1	
-------	---	--------	---	--------	---

STEP 4

1. Fix the cabinet left side rail (CL) into the panel (10) with the screw (E).
2. Fix the cabinet right side rail (CR) into the panel (15) with the screw (E).



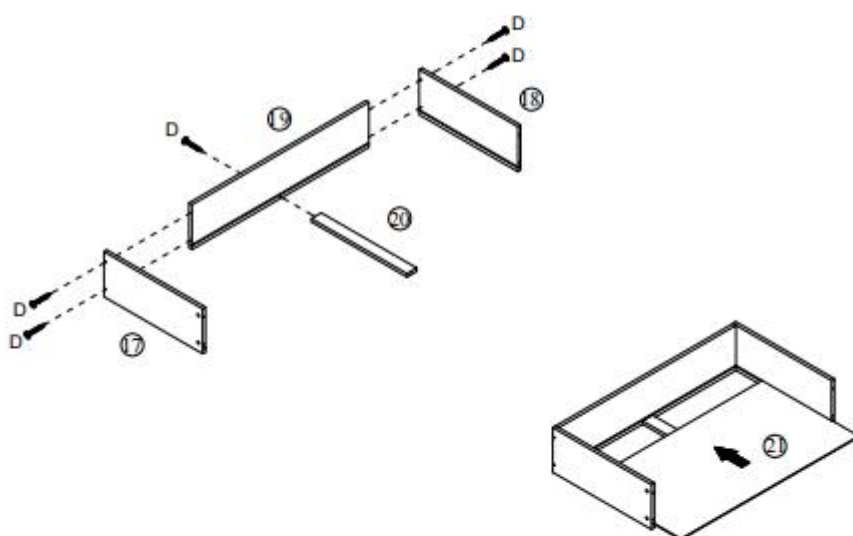
ASSEMBLY STEPS

D x 5



STEP 5

1. Connect the panels (17),(18),(19) and (20), and tighten and fix them with the screw (D).
2. Insert the panel (21) along the groove.

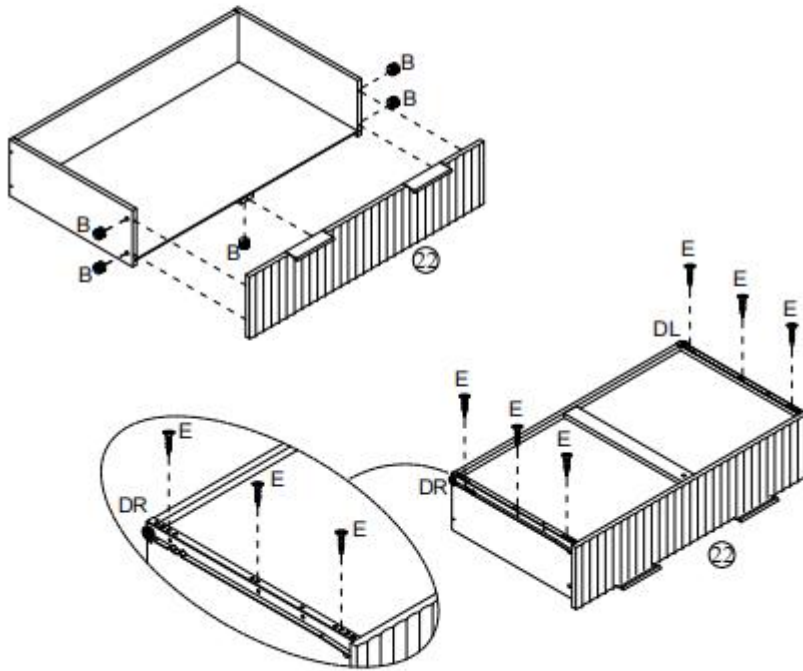


ASSEMBLY STEPS

B x 5	 $\phi 1.5 \times 10 \text{mm}$	E x 6	 $\phi 3 \times 12 \text{mm}$	DL x 1		DR x 1	
-------	--	-------	--	--------	---	--------	---

STEP 6

1. Connect the panel (22) with the drawer and tighten them with cam bolt (B).
2. Use screw (E) to fix the drawer left side rail (DL) and drawer right side rail (DR) on the back of the drawer.



ASSEMBLY STEPS

B x 8

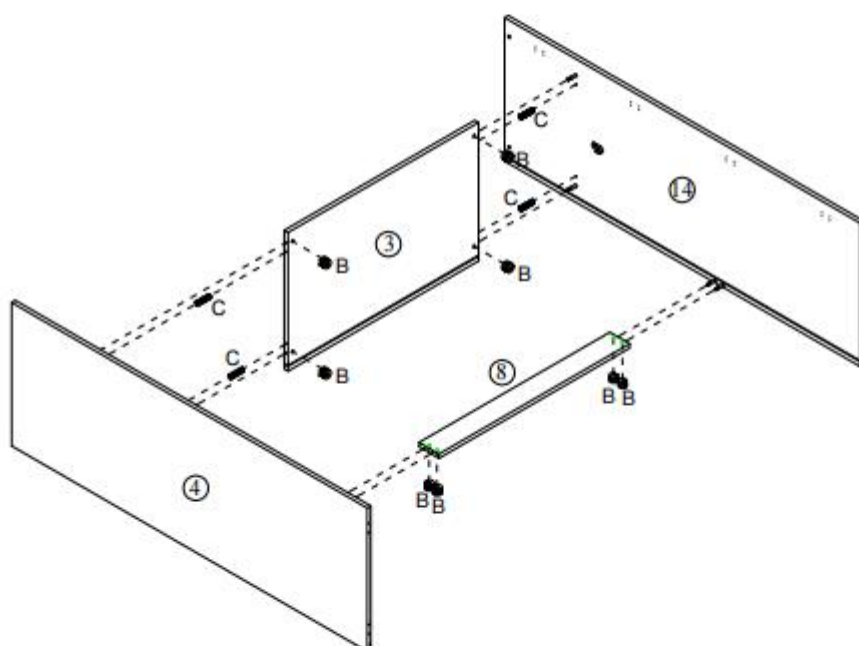


C x 4



STEP 7

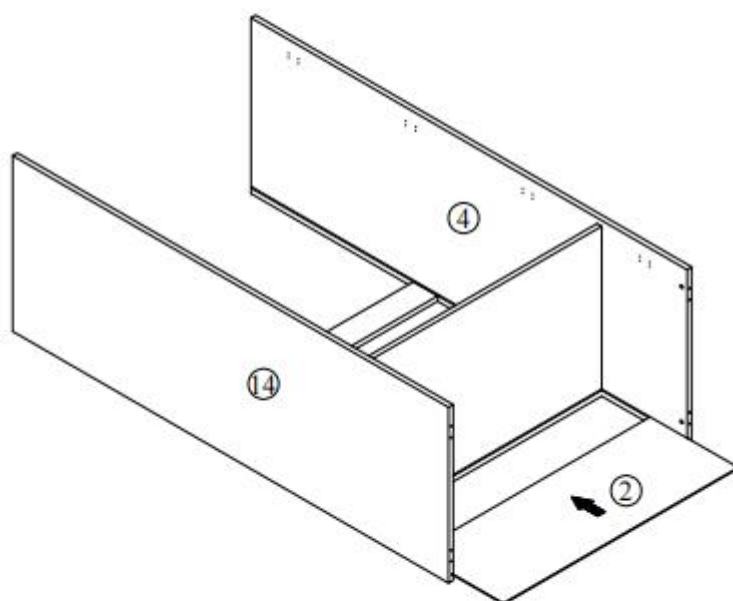
Connect the panel (3),(4),(8) and (14) with the wood dowel (C), and then tighten and fix them with the cam lock (B).



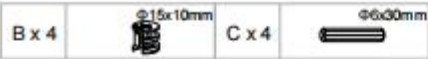
ASSEMBLY STEPS

STEP 8

Insert the panel (2) along the groove into the assembled cabinet (STEP7).

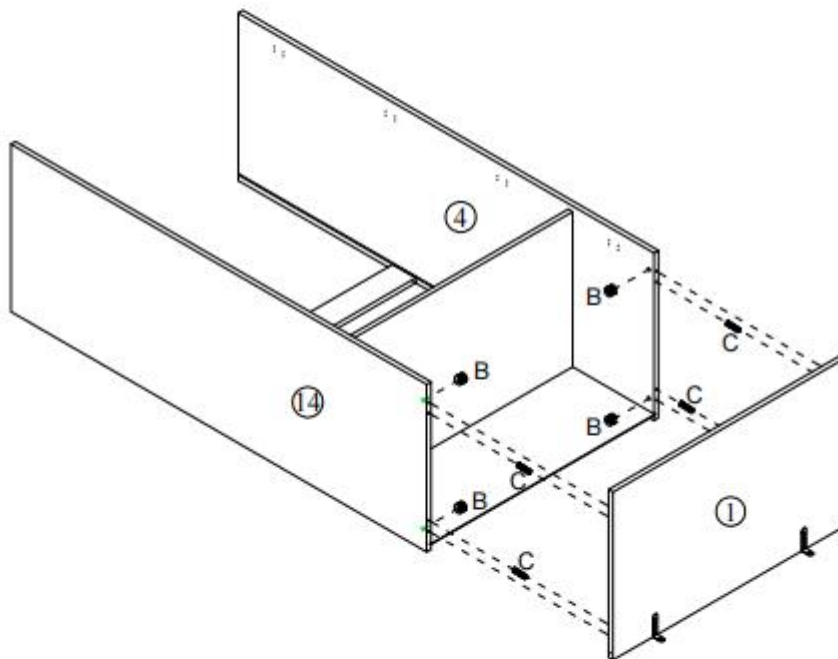


ASSEMBLY STEPS



STEP 9

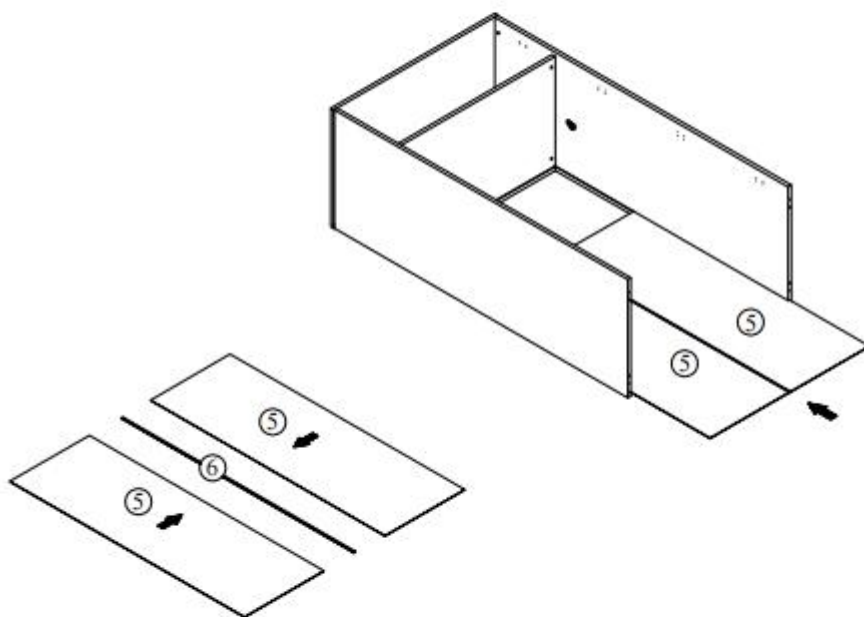
Connect the panel (1) with the panels (4) and (14) by using the wood dowel (C), and then tighten and fix them with the cam lock (B).



ASSEMBLY STEPS

STEP 10

Connect the panels (5) and plastic strip (6), and then insert them along the groove.

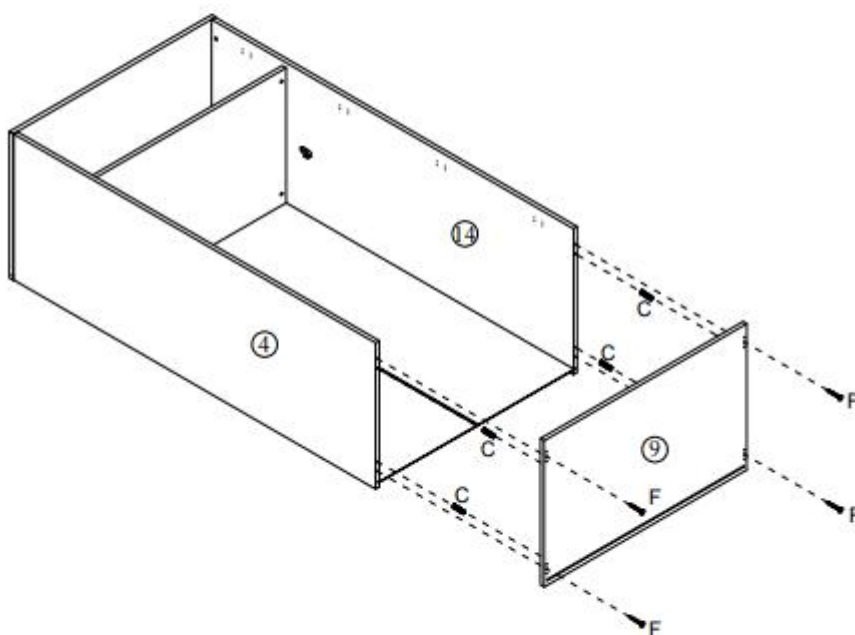


ASSEMBLY STEPS



STEP 11

Connect the lower shelf (9) with the panels (4) and (14) using the wood dowel (C), and then tighten and fix them with the screw (F).



ASSEMBLY STEPS

B x 4

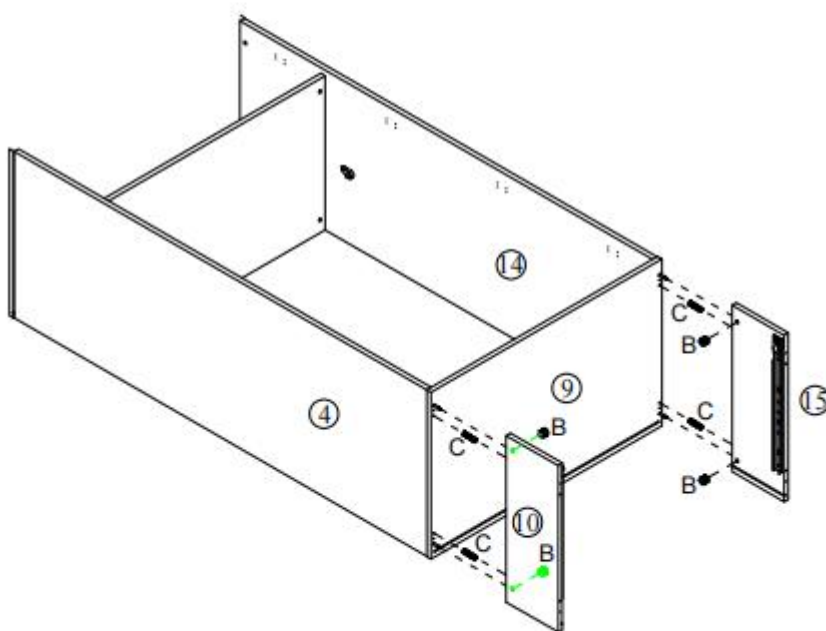


C x 4



STEP 12

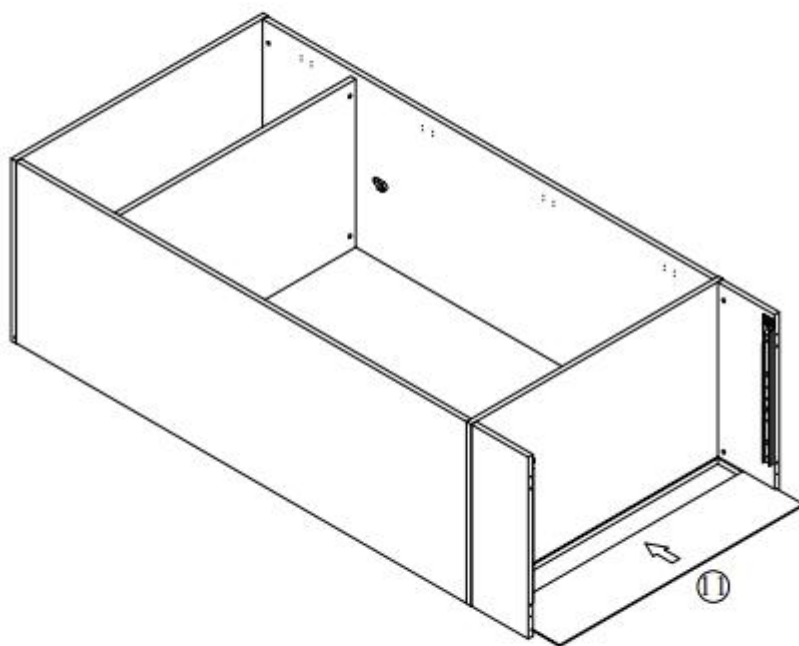
Connect the panels (9), (10) and (15) with the wood dowel (C), and then tighten and fix them with the cam lock (B).



ASSEMBLY STEPS

STEP 13

Insert the panel (11) along the groove into the assembled cabinet (STEP12).

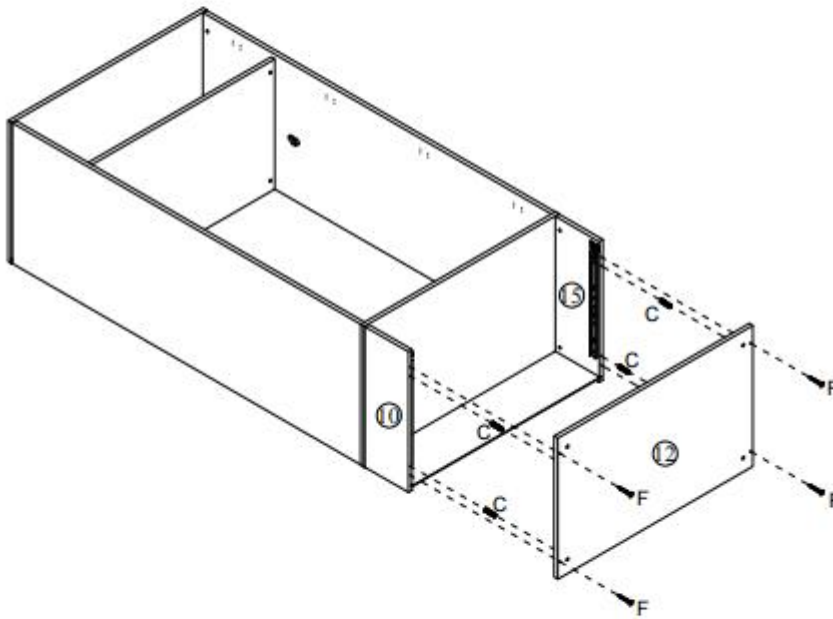


ASSEMBLY STEPS



STEP 14

Connect the panel (12) with the panels (10) and (15) using the wood dowel (C), and then tighten and fix them with the screw (F).



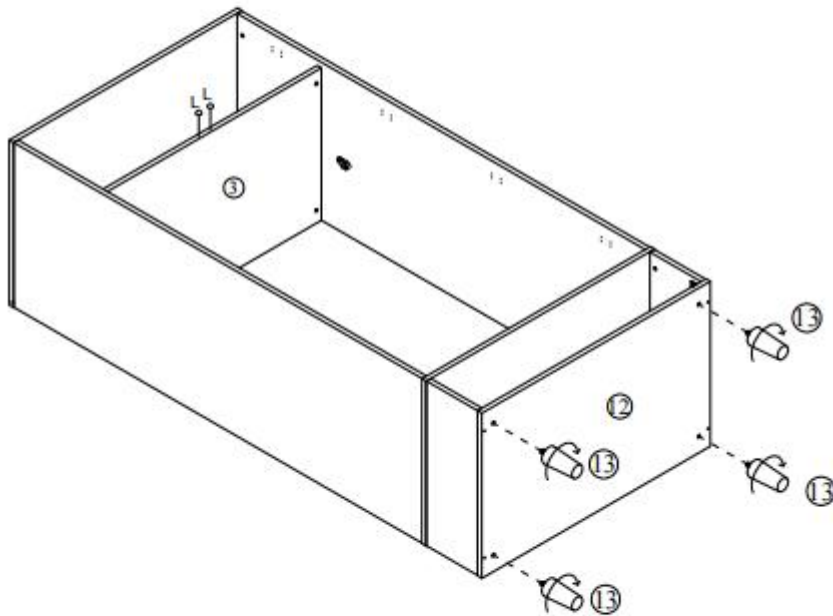
ASSEMBLY STEPS

L x 2



STEP 15

1. Apply the anti-collision sticker (L) to the middle of the panel (3).
2. Fix the support leg (13) into the panel (12).

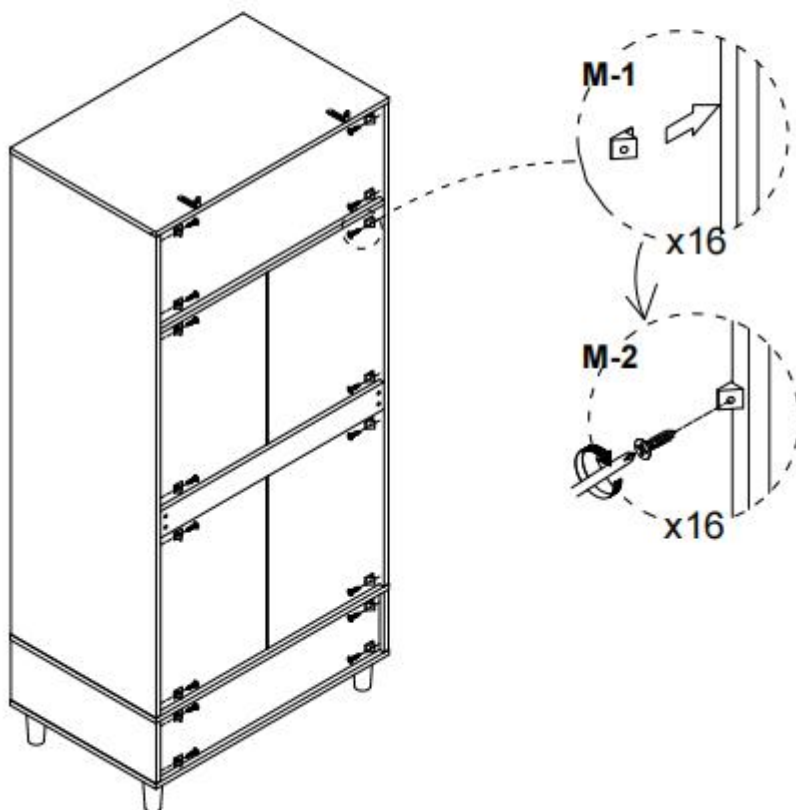


ASSEMBLY STEPS

M x 16 M-1  M-2  Ø3x16mm

STEP 16

Insert the back panel wedge (M-1) into the gap of the back panel and tighten it with the screw (M-2).



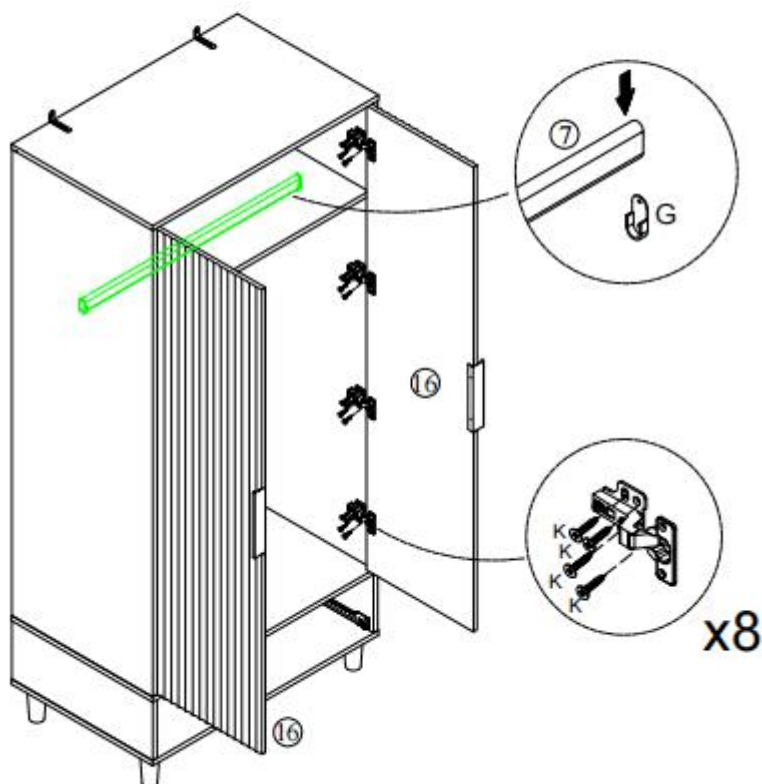
ASSEMBLY STEPS

K x 32

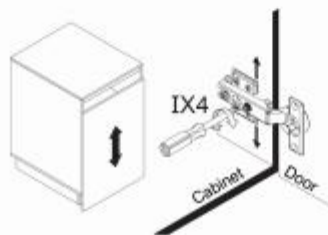
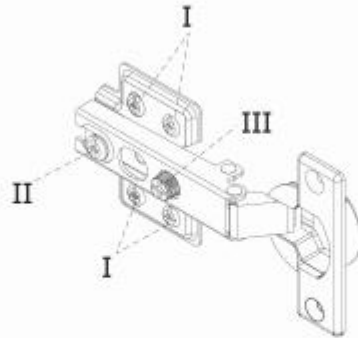


STEP 17

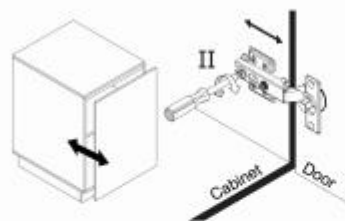
1. Fix the clothes hanging rod (7) into the clothes rod holder (G).
2. Align the holes on the panel (16) and side panels, and then install the hinge (J) with the screw (K).



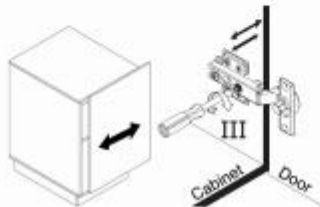
ASSEMBLY STEPS



To adjust the vertical height.
Loosen the four screws "I" on both hinges. Two of them are usually in slotted holes which allows you to adjust up or down by a few mm. Then tighten back up.



To adjust depth.
Loosen screw "II" and adjust door, if the door cannot be adjusted, please loosen screw "III", then try again. Tighten screw "II" and "III"

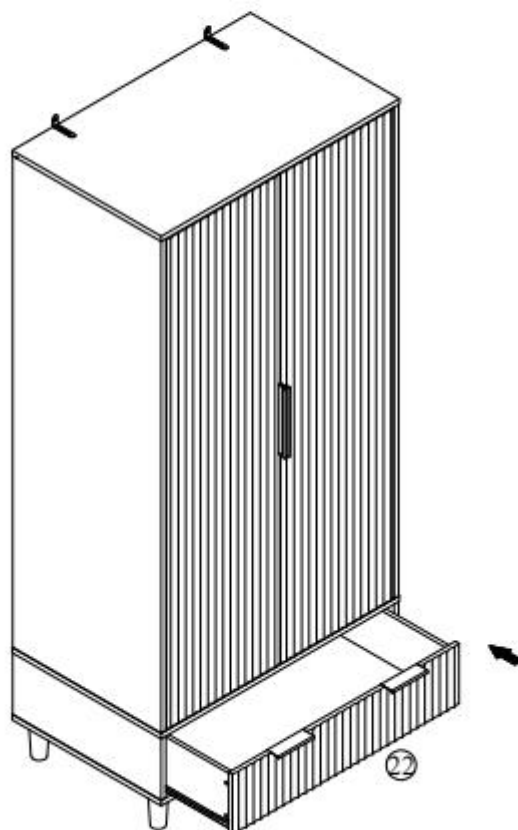


To adjust side ways.
Turning the screw "III" on both hinges on each door.

ASSEMBLY STEPS

STEP 18

Align the slides on the drawer and cabinet, and then gently push the drawer into the cabinet.



ASSEMBLY STEPS

O x 2  $\varnothing 4 \times 45 \text{mm}$

STEP 19

1. Drill two holes in the wall and insert the plastic anchor (O-1) into the holes.
2. Use the screw (O-2) to pass through the anti-tipping kit and lock the cabinet onto the wall.

