

# TT002



[FurnitureServices@126.com](mailto:FurnitureServices@126.com)

---

THIS INSTRUCTION BOOKLET CONTAINS **IMPORTANT** SAFETY INFORMATION. PLEASE READ AND KEEP FOR FUTURE REFERENCE.

EN



## Before You Start

**Once installed, the product cannot be detached.  
Strictly follow each step in the installation manual !**

- ⚠ Please read all instructions carefully.
- ⚠ Retain instructions for future reference.
- ⚠ Separate and count all parts and hardware.
- ⚠ Read through each step carefully and follow the proper order.
- ⚠ We recommend that, where possible, all items are assembled near to the area in which they will be placed in use, to avoid moving the product unnecessarily once assembled.
- ⚠ Always place the product on a flat, steady and stable surface.
- ⚠ Keep all small parts and packaging materials for this product away from babies and children as they potentially pose a serious choking hazard.

---

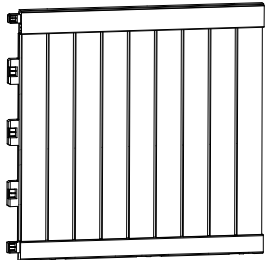
If you're having difficulty, our friendly customer team is always here to help.

[FurnitureServices@126.com](mailto:FurnitureServices@126.com)

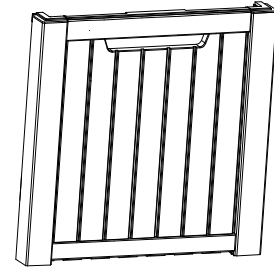




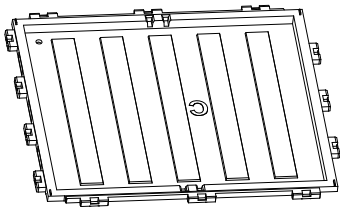
Each part has the corresponding number in the manual. Please assemble according to the procedure in strict accordance with the part number in the manual !



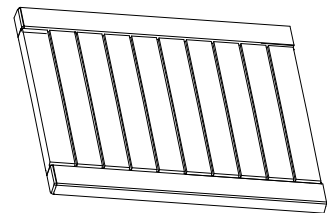
A (X4)



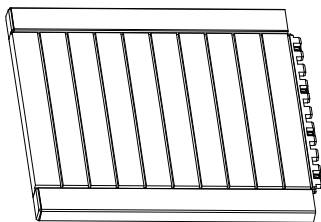
B (X2)



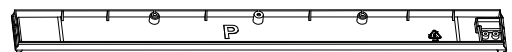
C (X2)



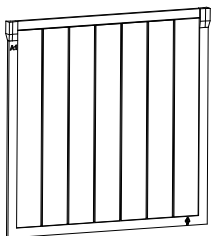
J (X1)



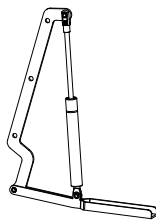
F (X1)



P (X1)



A1 (X1)



(X2)



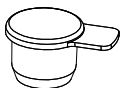
D (X4)



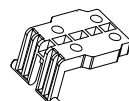
G1 (X1)



G2 (X1)



(X2)



E (X2)



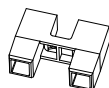
G (X1)



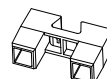
I (X1)



T (X2)



Y1 (X2)



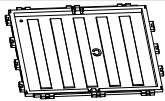
Y (X6)



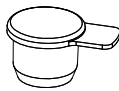
M4\*16

(X28+Spare Part2)

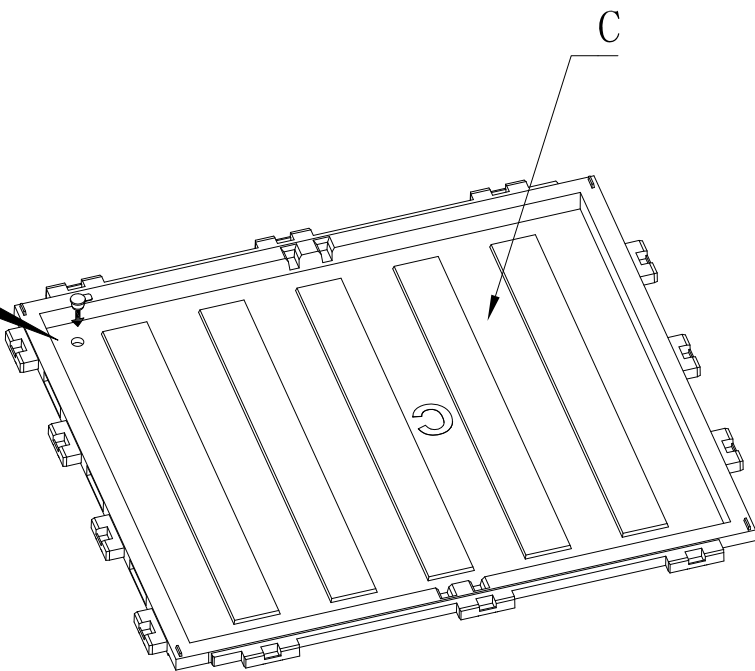
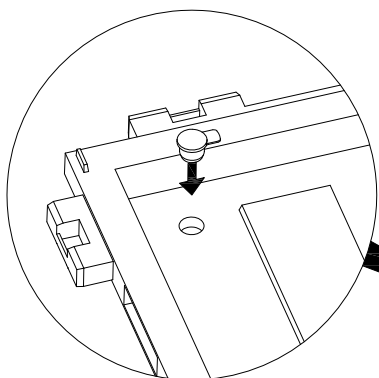
1



C (X2)

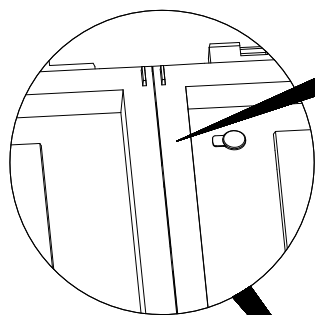


(X2)

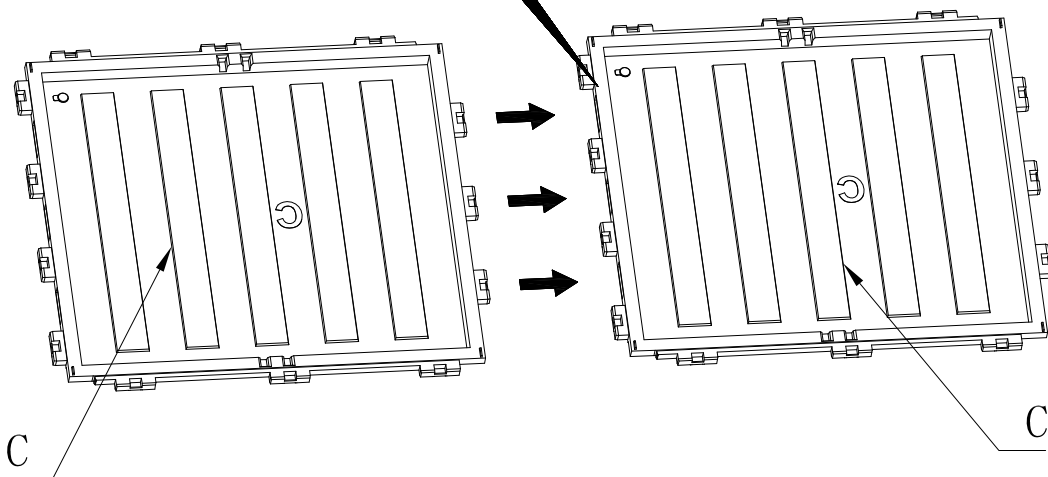


(X2)

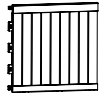
2



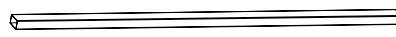
**CLICK**



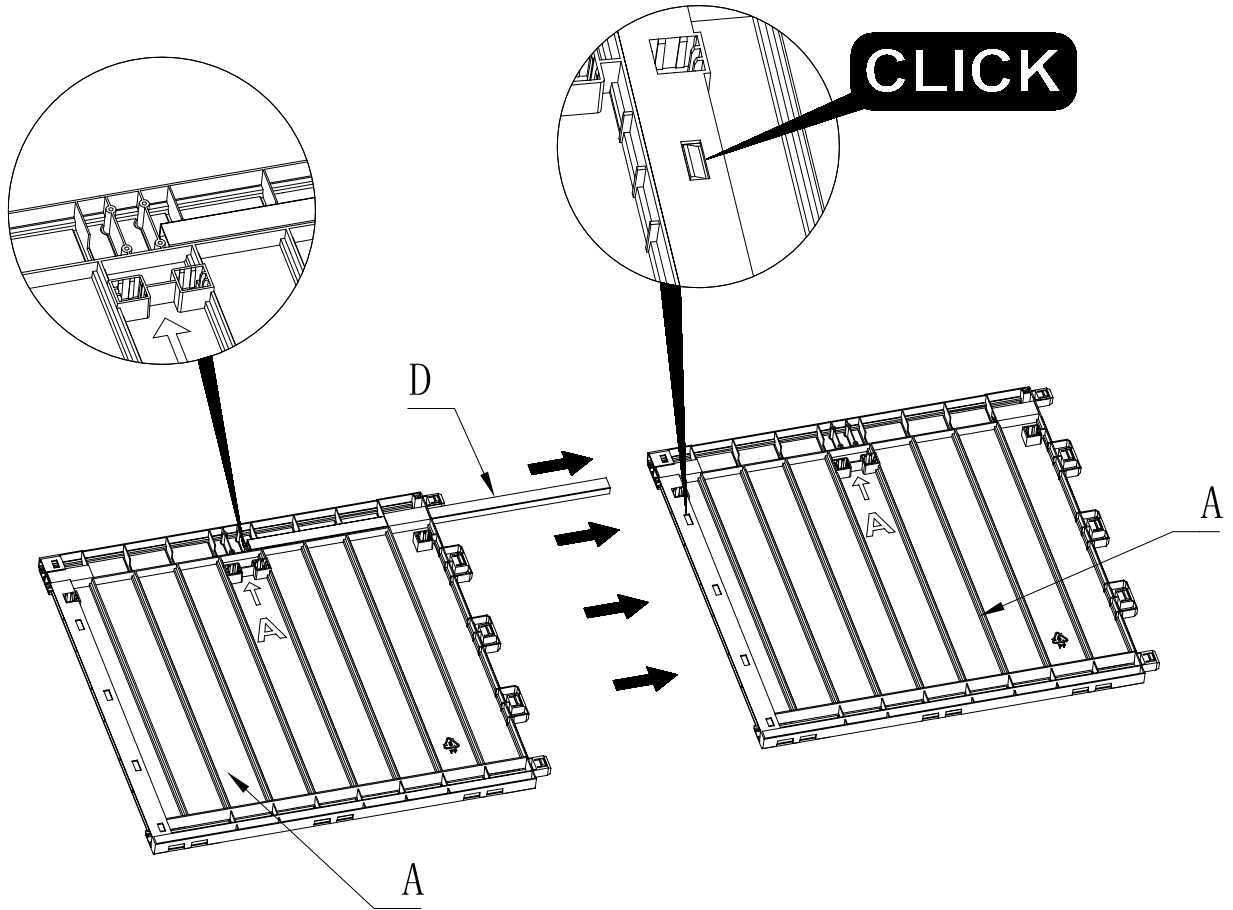
3



A (X2)



D (X1)



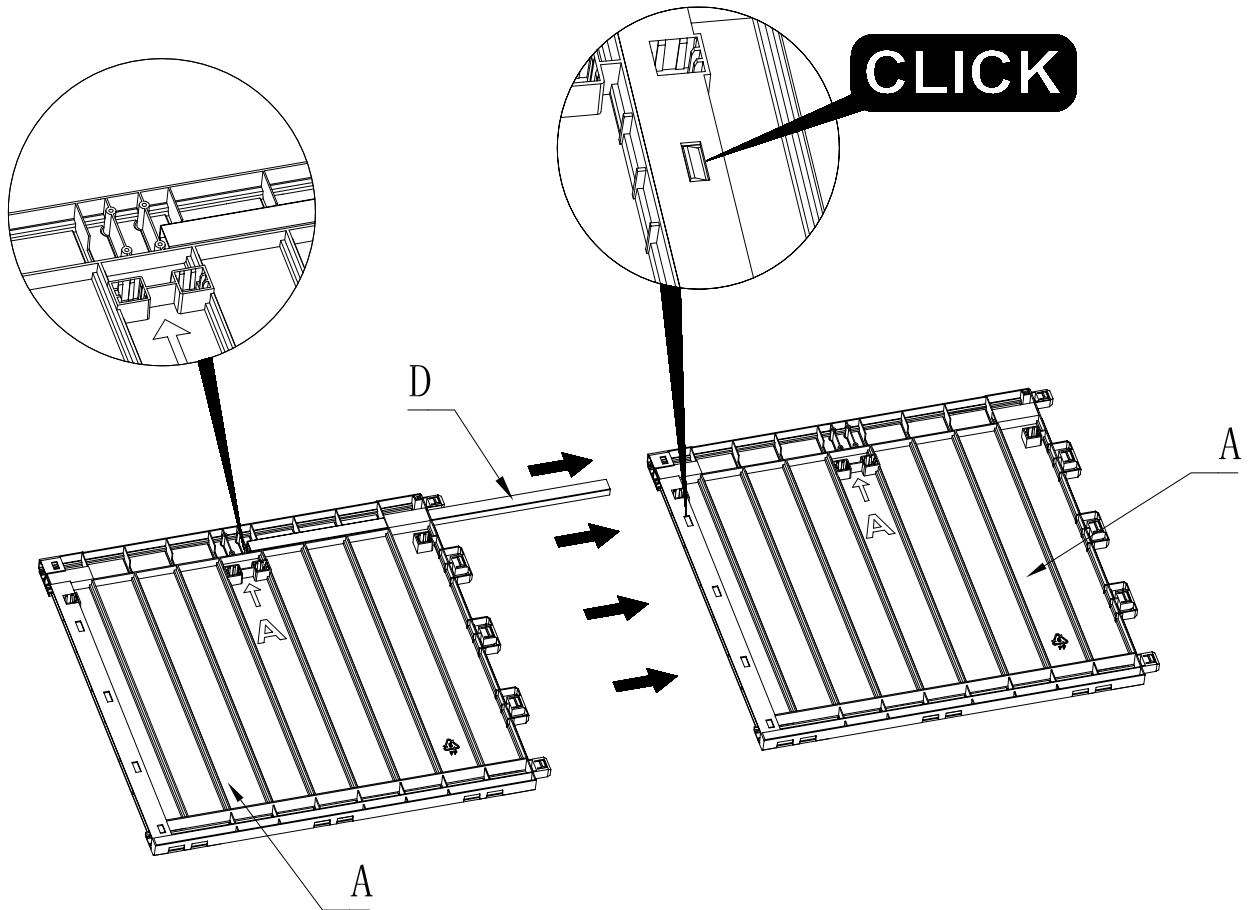
4



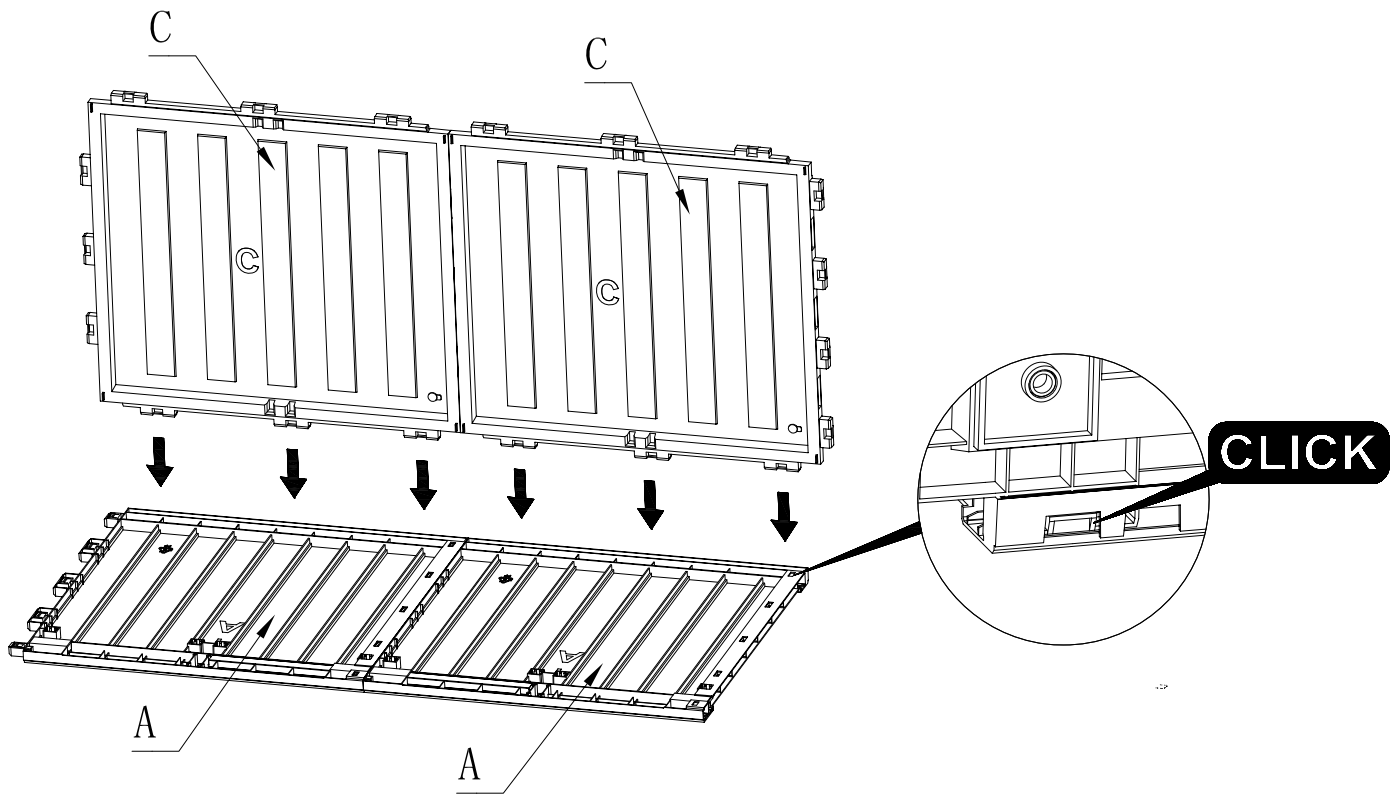
A (X2)



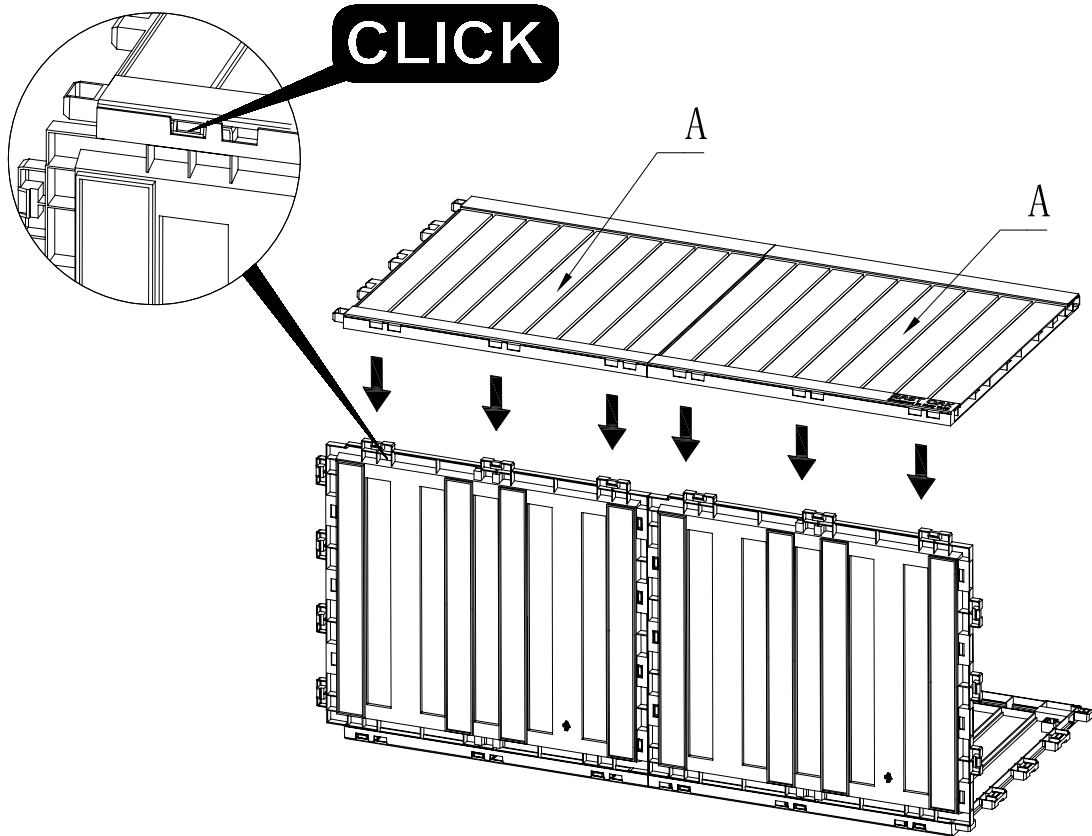
D (X1)



5



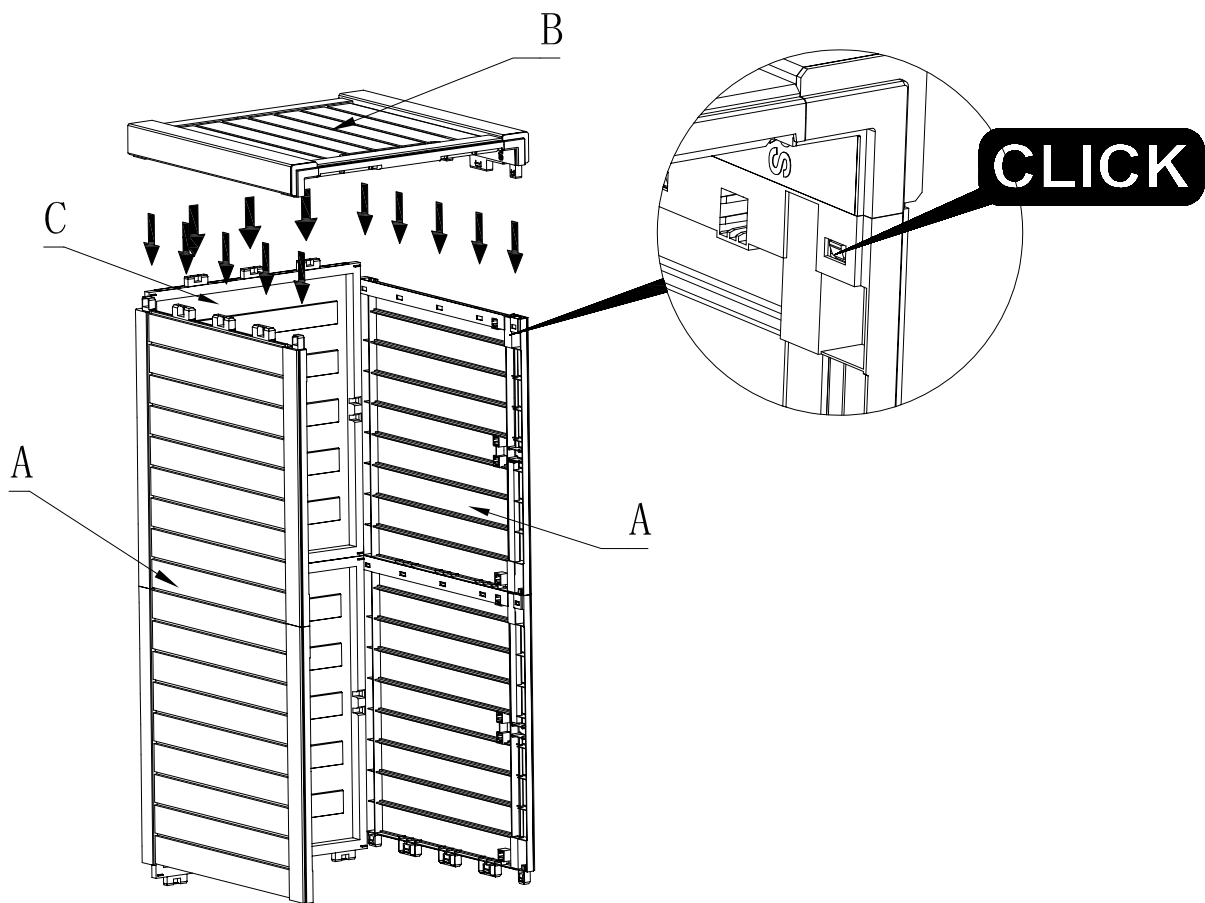
6



7



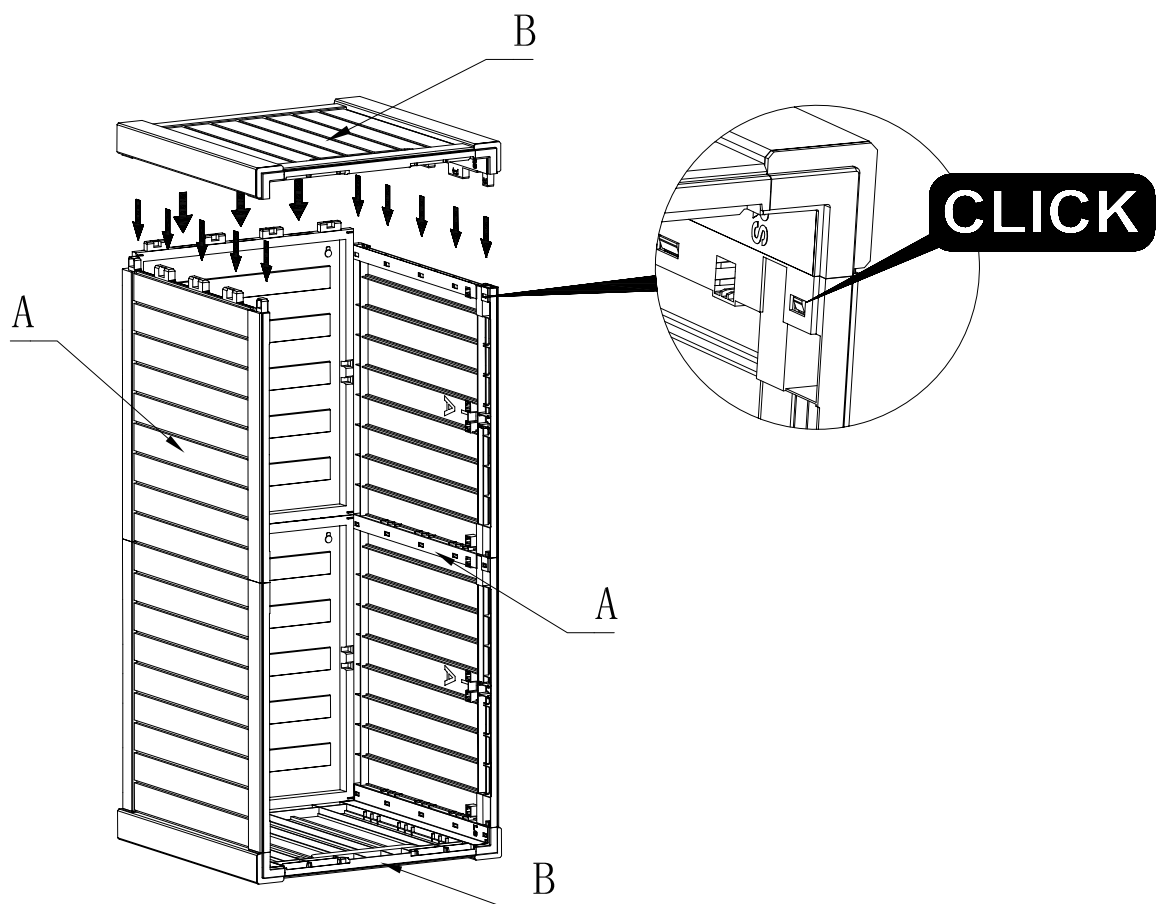
B (X1)



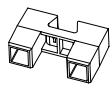
8



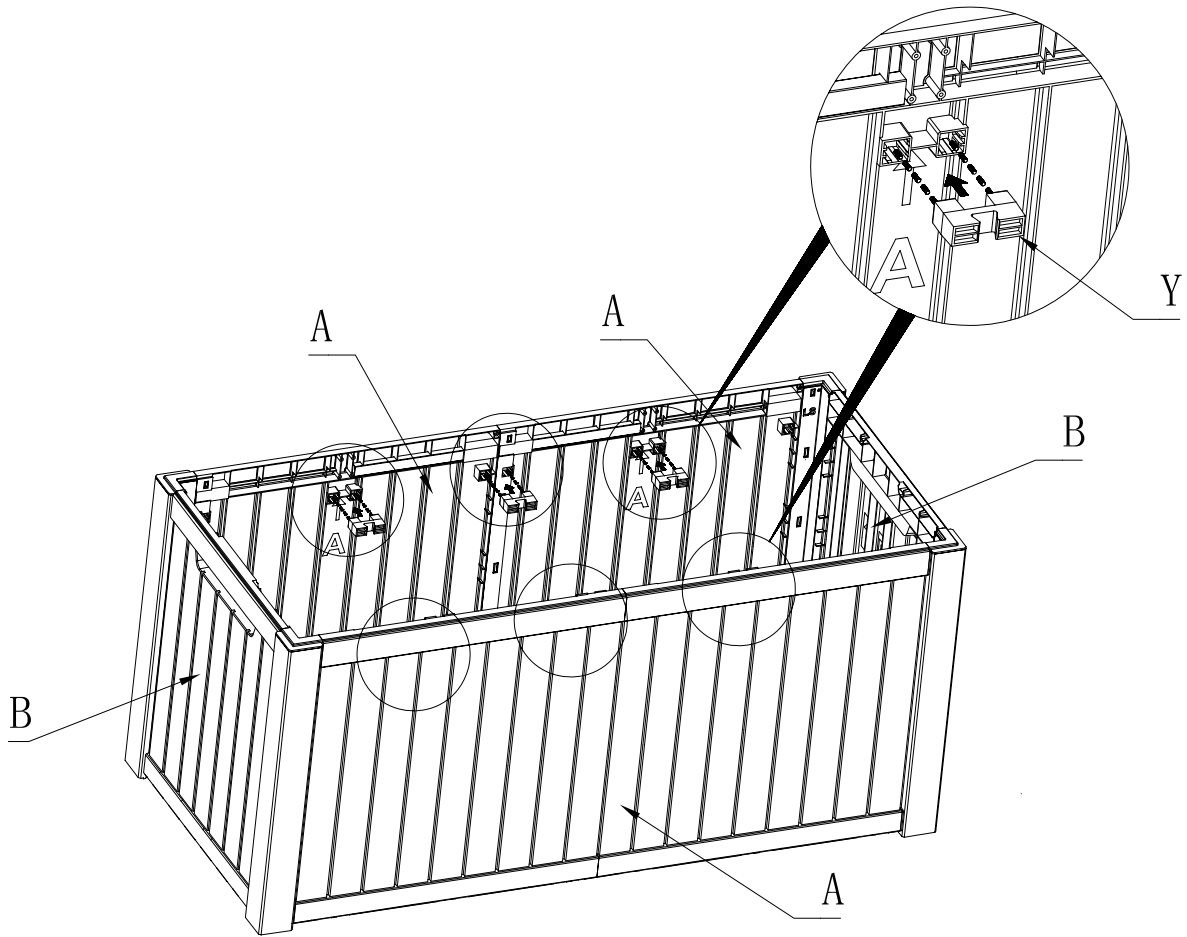
B (X1)



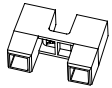
9



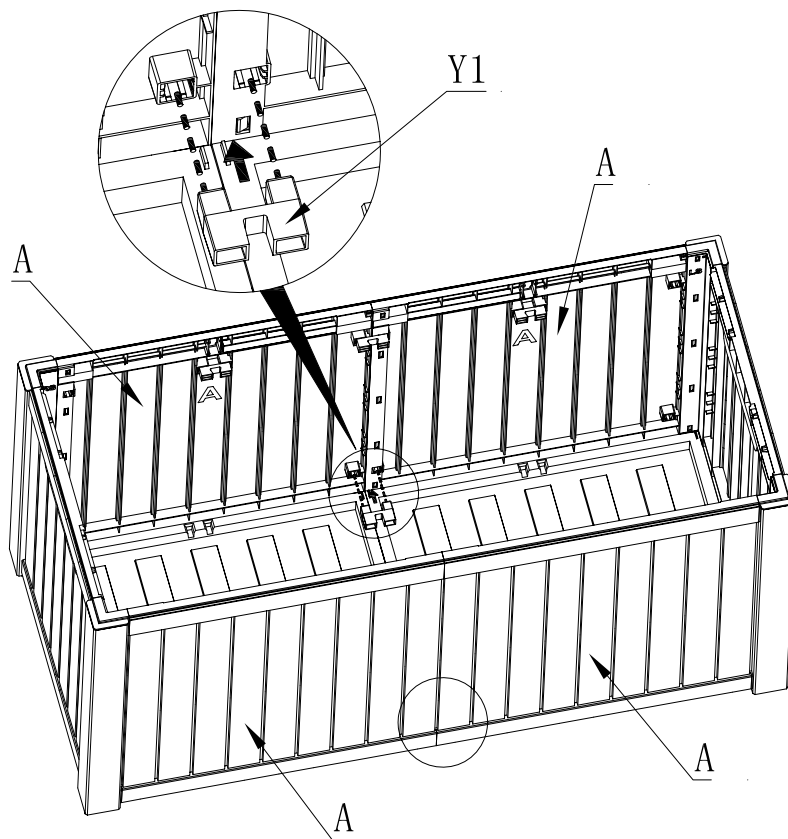
Y (X6)



10



Y1 (X2)



11



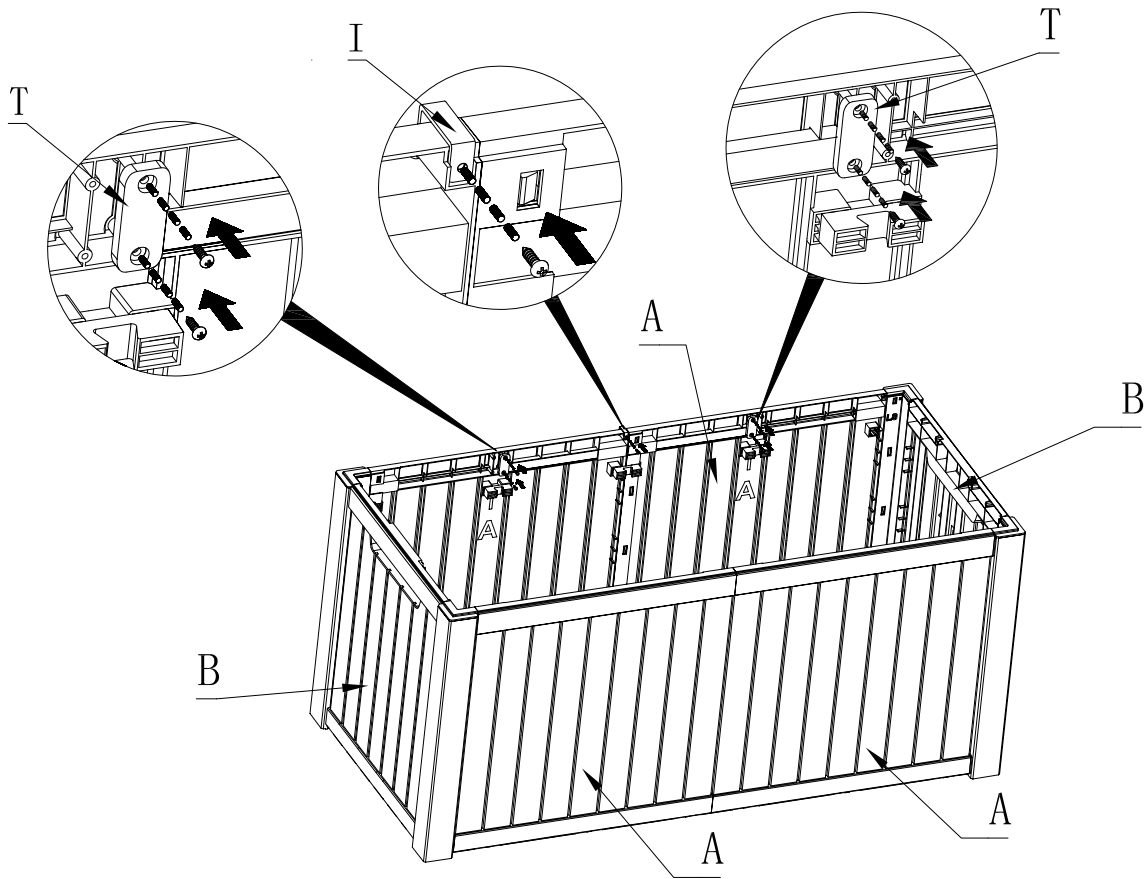
T (X2)



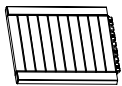
M4\*16(X5)



I (X1)



12



F (X1)



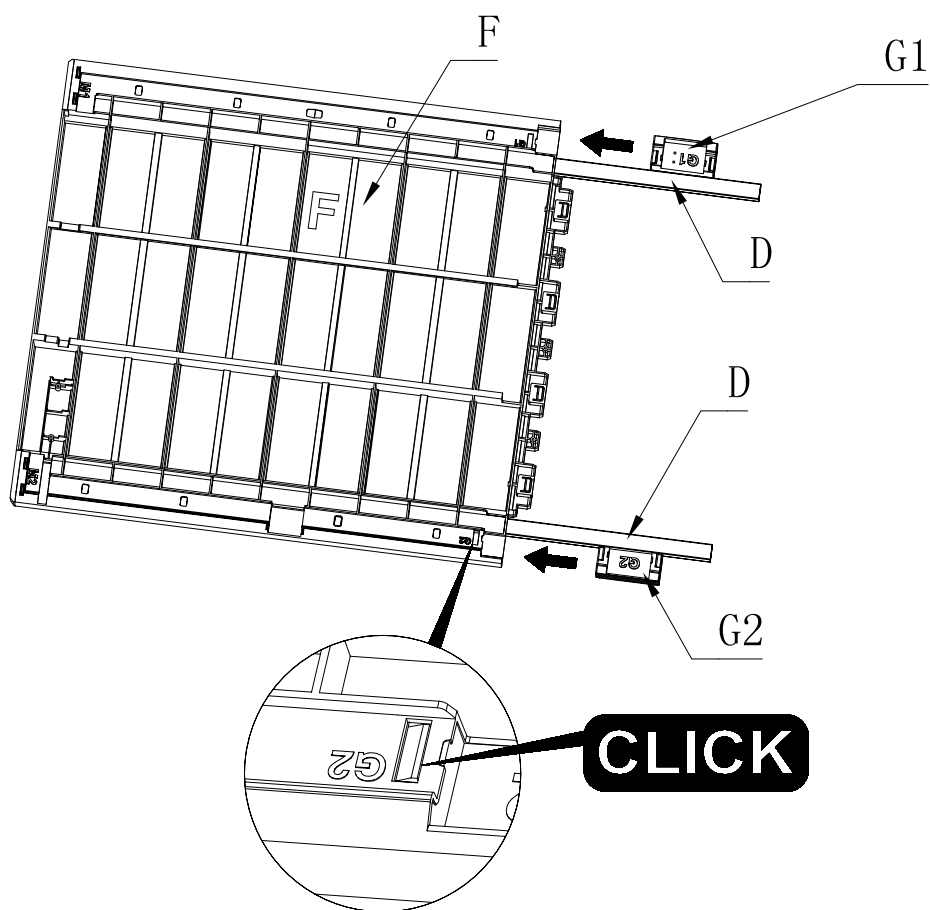
G1 (X1)



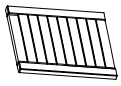
G2 (X1)



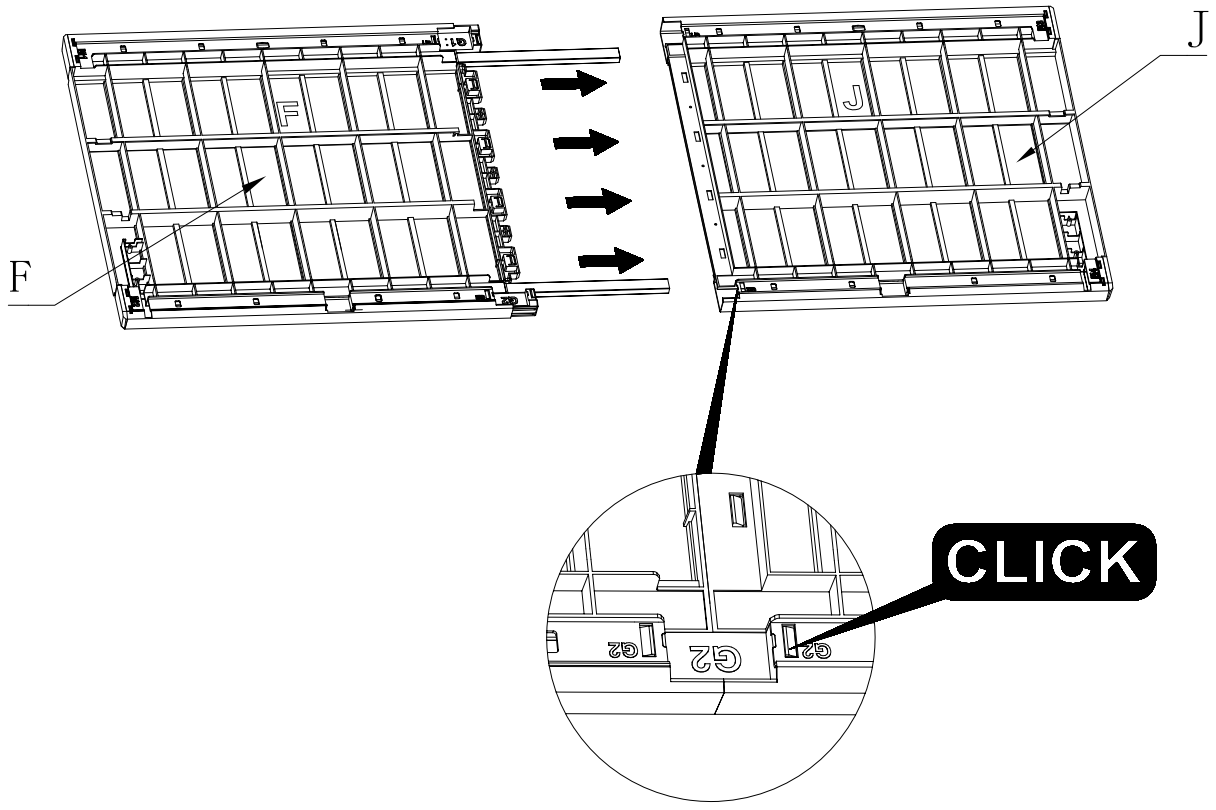
D (X2)



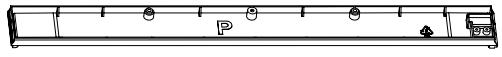
13



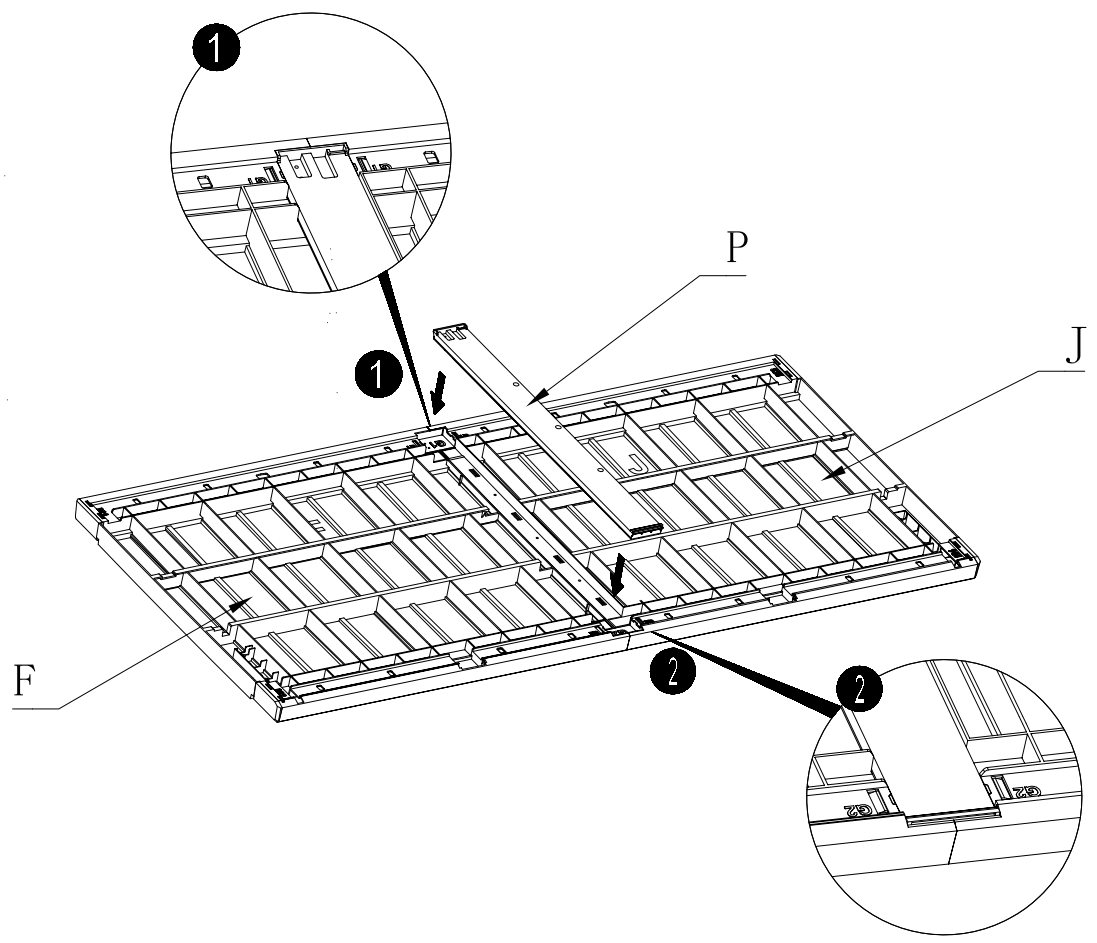
J (X1)



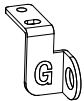
14



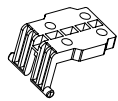
P (X1)



15



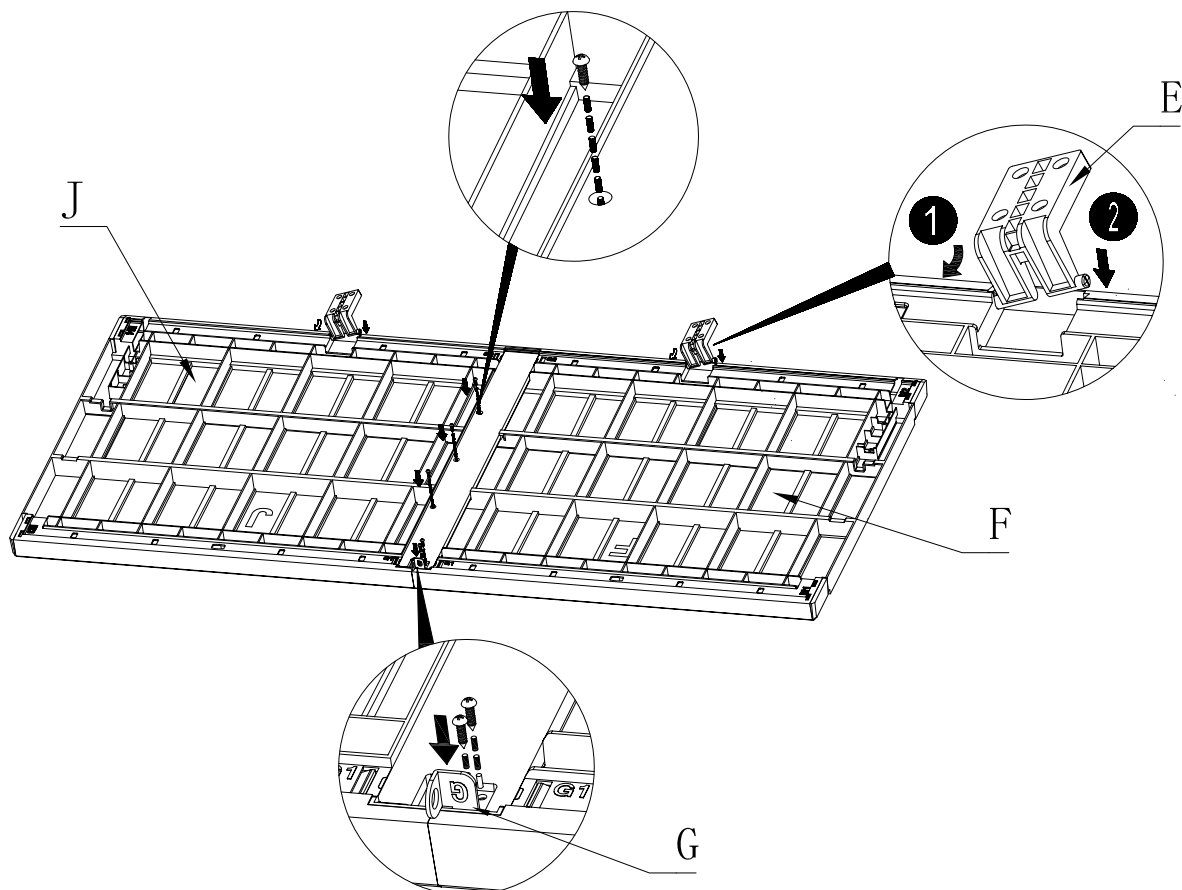
G (X1)



E (X2)



M4\*16 (X5)



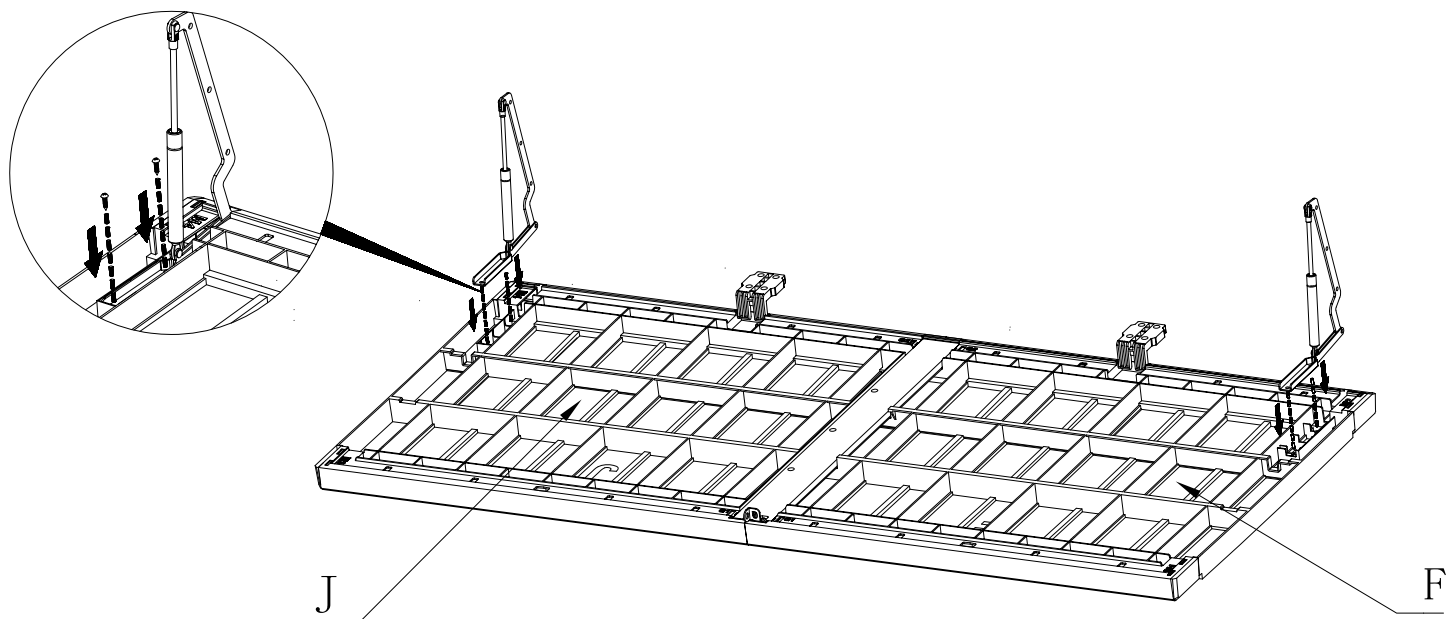
16



(X2)



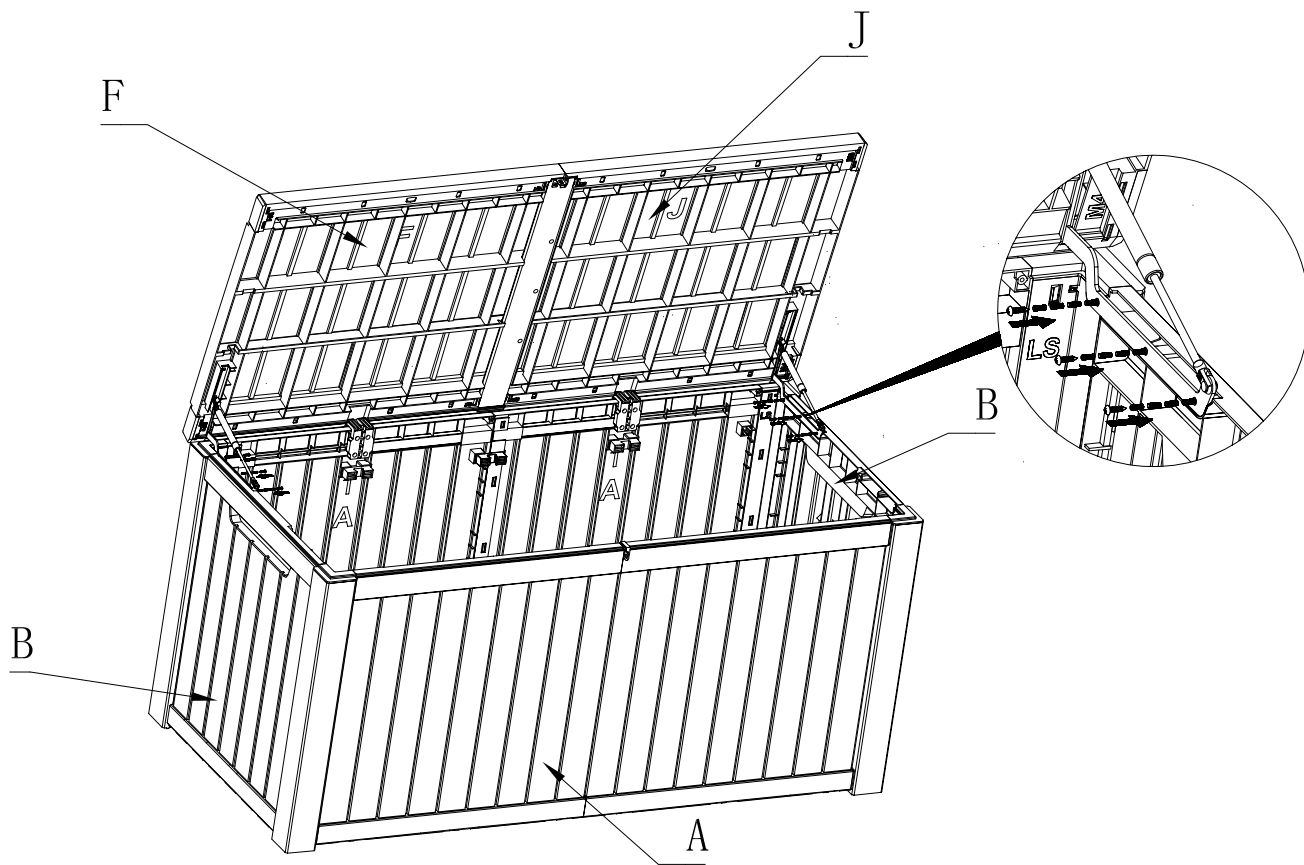
M4\*16(X4)



17



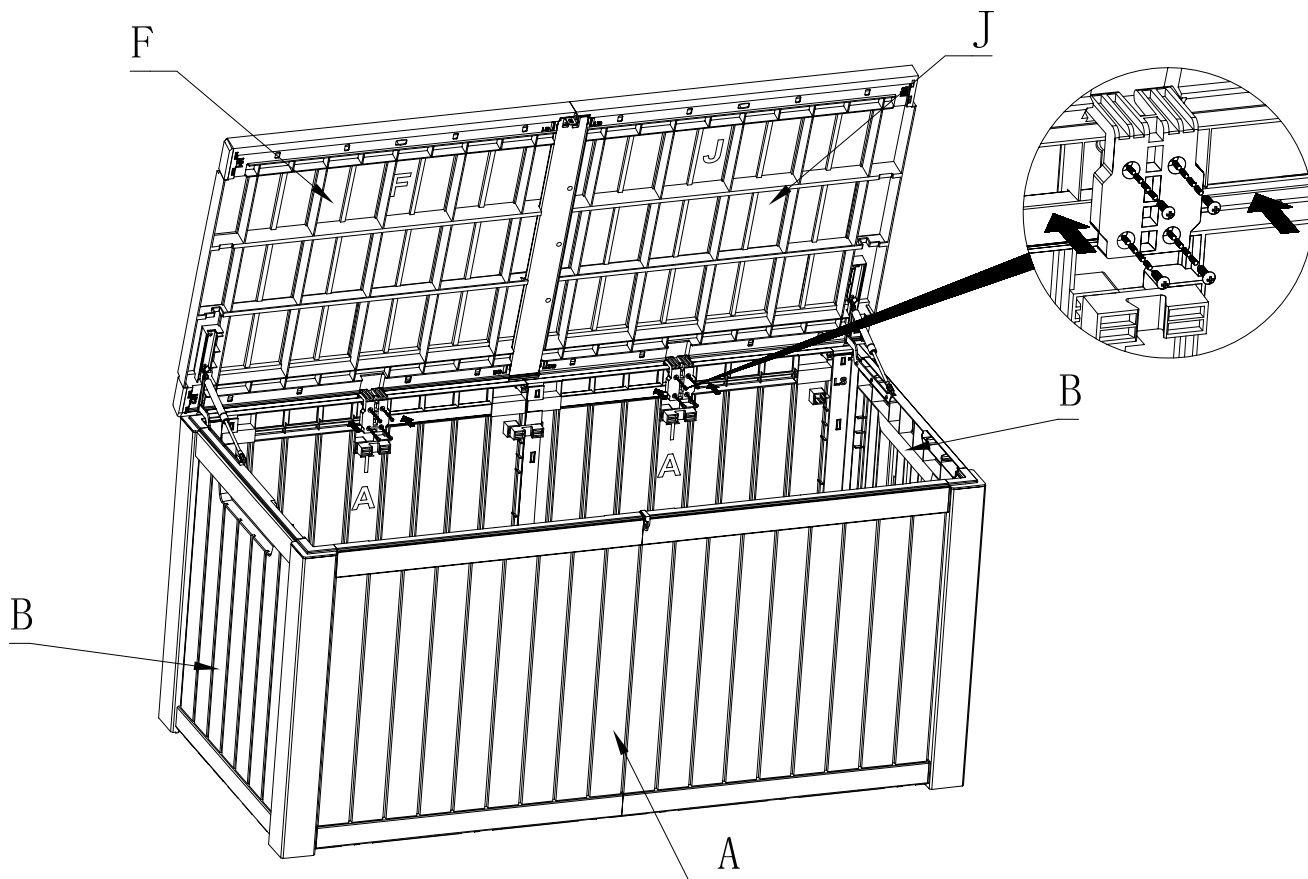
M4\*16 (X6)



18



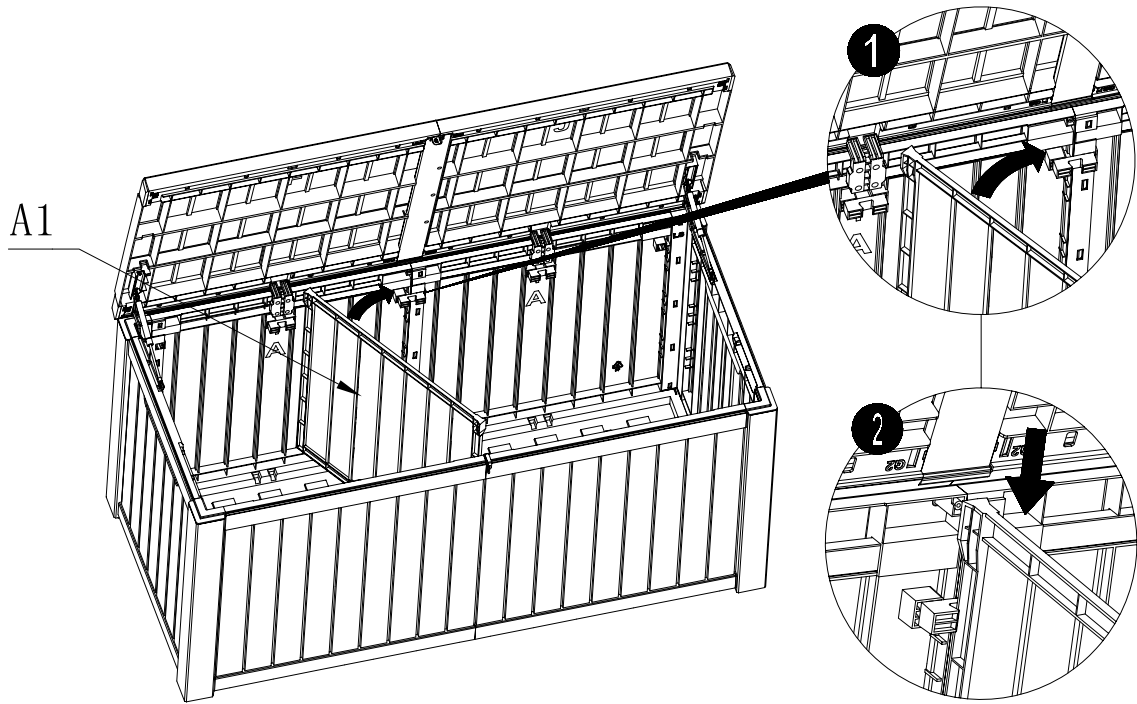
M4\*16 (X8)



19



A1 (X1)



20

