
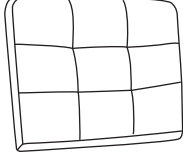
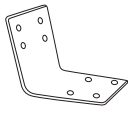
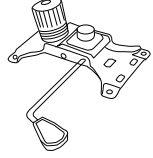


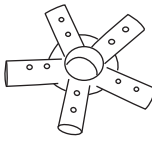

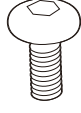
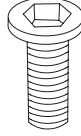
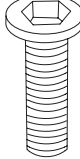

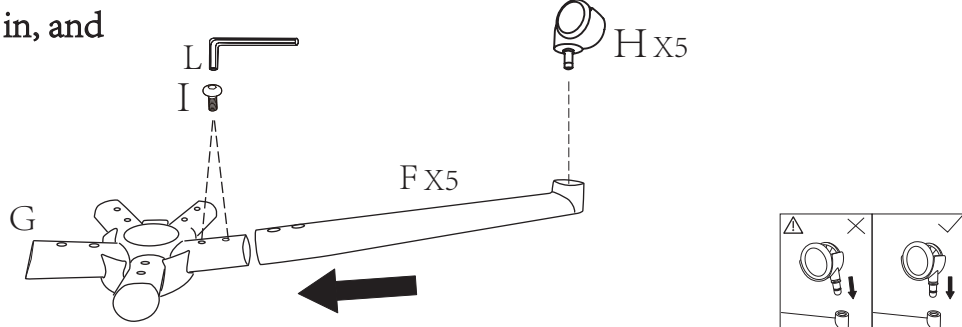


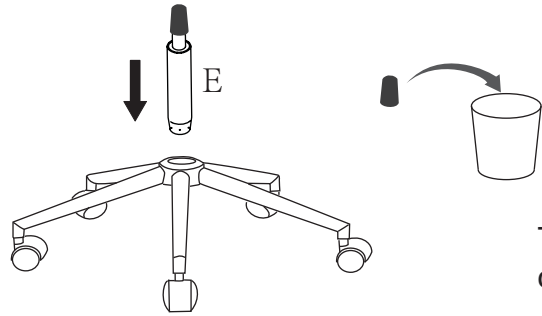
ASSEMBLY INSTRUCTIONS

A X1	B X1	C X1	D X1	E X1	F X5
					
G X1	H X5	I X10	J X4	K X8	L X1
		 M6×14mm	 M8×20mm	 M8×25mm	

1 Attention: All the screws in, and then tighten them

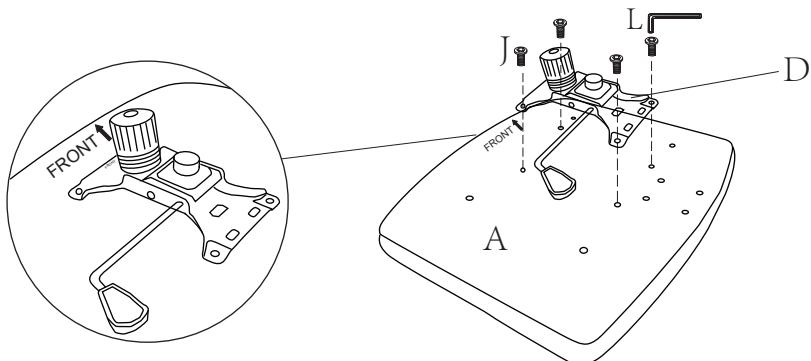


2



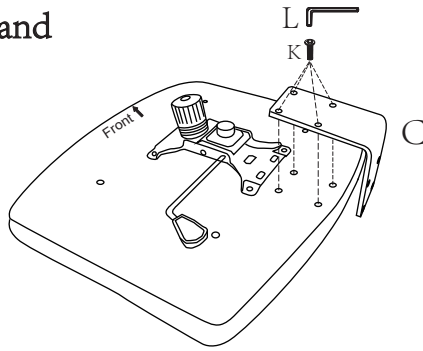
Take off the gas lift protector cap and throw into trash can.

3

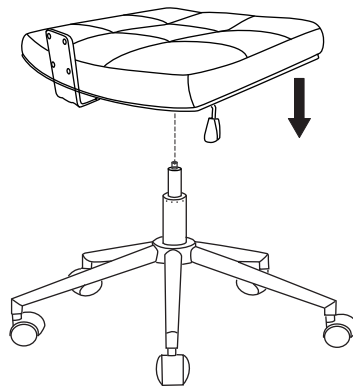


4

Attention: All the screws in, and then tighten them

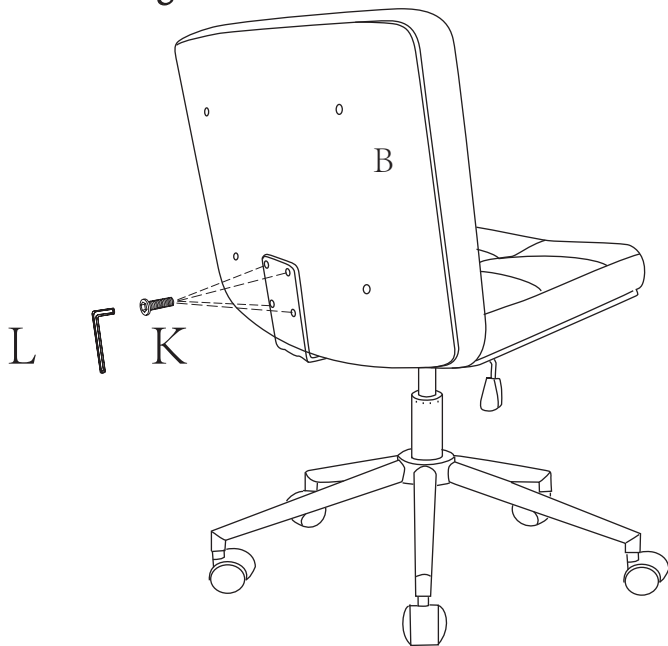


5



6

Attention: All the screws in, and then tighten them



7

