

NOTE:

This brochure contains IMPORTANT safety info. Please read and keep for future reference.

MAINTAINANCE AND WARNING

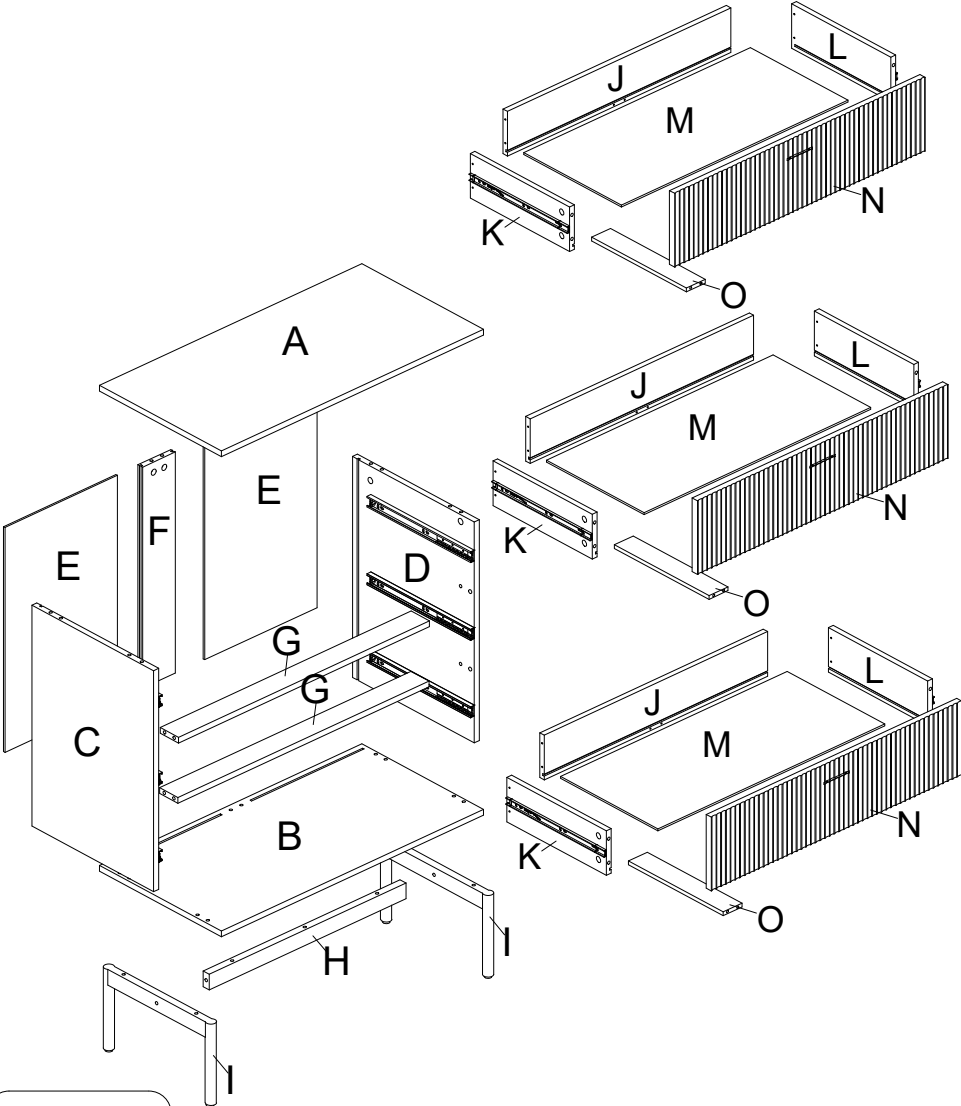
- 1.Keep furniture away from heat sources.
- 2.Do not clean furniture with harsh cleaner or polishes.Do not use detergents,solvents,abrasives,spray packs or leather cleaner. Use non-color mild soa with warm water to clean spills(Mix 1:10 soap to water).
- 3.Do not place furniture under direct sunlight,material will possibly fade over time.
- 4.Do not use on site dry cleaning machine.Children should not climb or jump on the furniture.
- 5.Do not write on furniture that is not protectedby a padded barrier.
- 6.Not for commercial use,only for residential use.



Weight Limitation

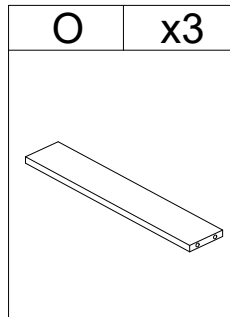
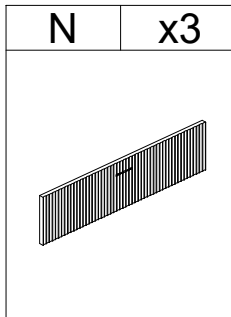
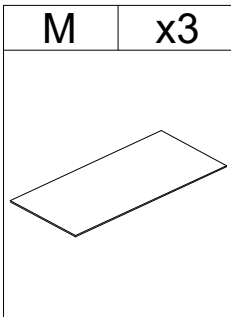
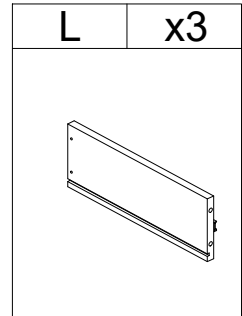
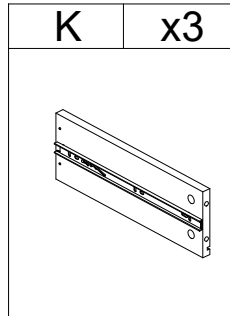
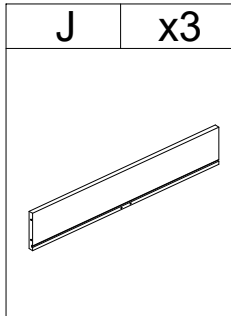
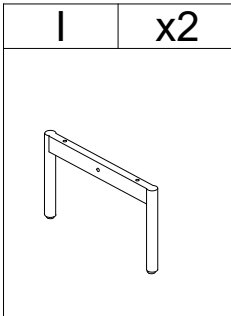
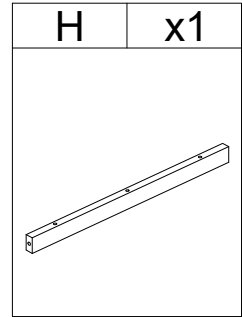
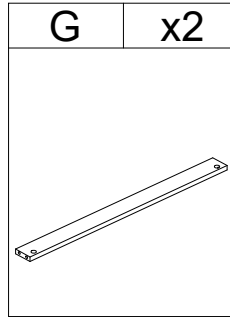
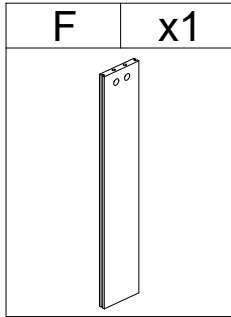
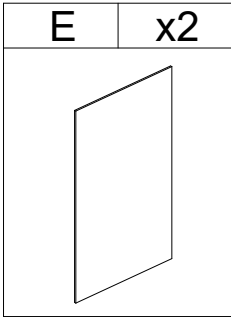
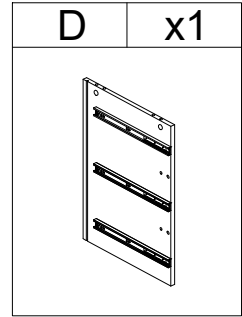
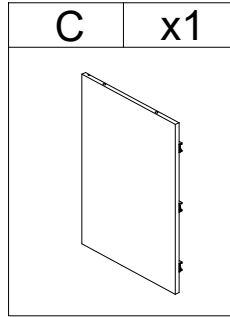
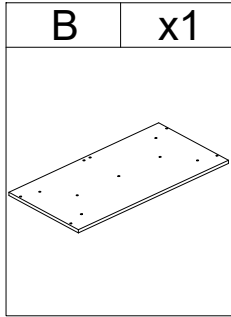
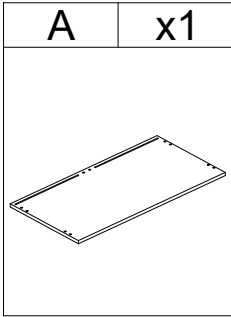
90 LBS

EXPLOSIVE VIEW

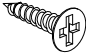

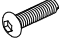
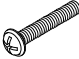





2 PERSONENS

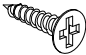

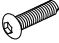
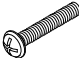

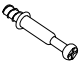

PARTS LIST



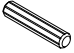








HARDWARE LIST

#1	x16	#2	x7	#3	x2	#4	x6	#5	x6
									
ø3.5*14mm		M6*50mm		M6*35mm				M7*50mm	
#6	x28	#7	x22						
									
ø6*35mm		M4*35mm							


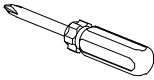
HARDWARE SPARE LIST

#1	x1	#2	x1	#3	x1	#4	x1	#5	x1
									
ø3.5*14mm		M6*50mm		M6*35mm				M7*50mm	
#6	x2	#7	x2						
									
ø6*35mm		M4*35mm							

HARDWARE LIST

#8	x12	#9	x28	#10	x12	#11	x28	#12	x3
									
ø8*30mm		ø15*11mm				ø20mm			
#13	x4	#14	x4	#15	x2	#16	x7		
									
						Ø13*6.5*1mm			

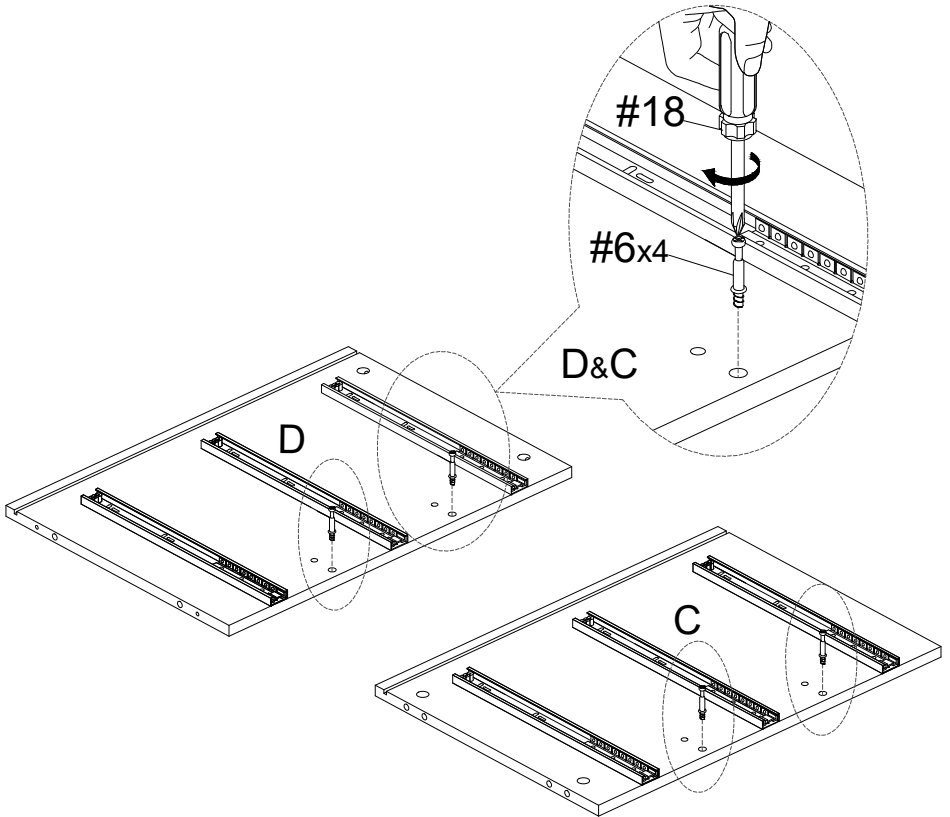
TOOL LIST


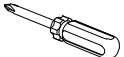
#17	x1	#18	x1
			
M4			

ASSEMBLY INSTRUCTIONS

STEP-1

1.Prepare for part (D&C). Align the holes in part (D&C), tighten with screwdriver #18 tighten #6。



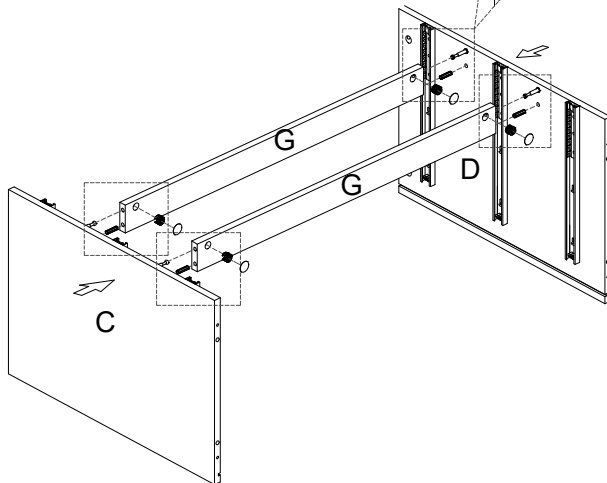
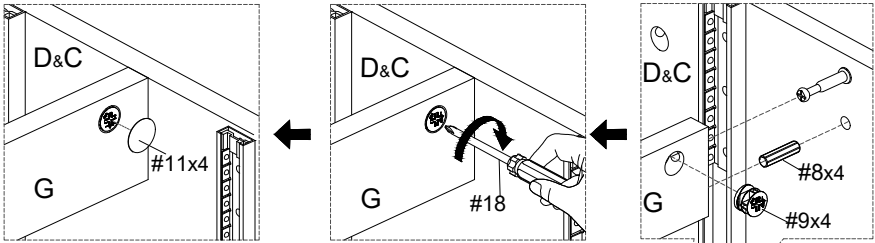
#6	x4	#18	x1
			
Ø6*35mm			

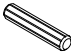


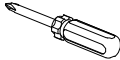
ASSEMBLY INSTRUCTIONS

STEP-2

Align the holes in part G, insert wooden dowel #8 by hand, Insert panel (C&D) into panel (G), make sure all holes are aligned and then insert cam bolt #9 into the corresponding hole of panel (G), and then tighten cam bolt #9 with screwdriver #18. after installation, cover the screw holes with #11.

#11.

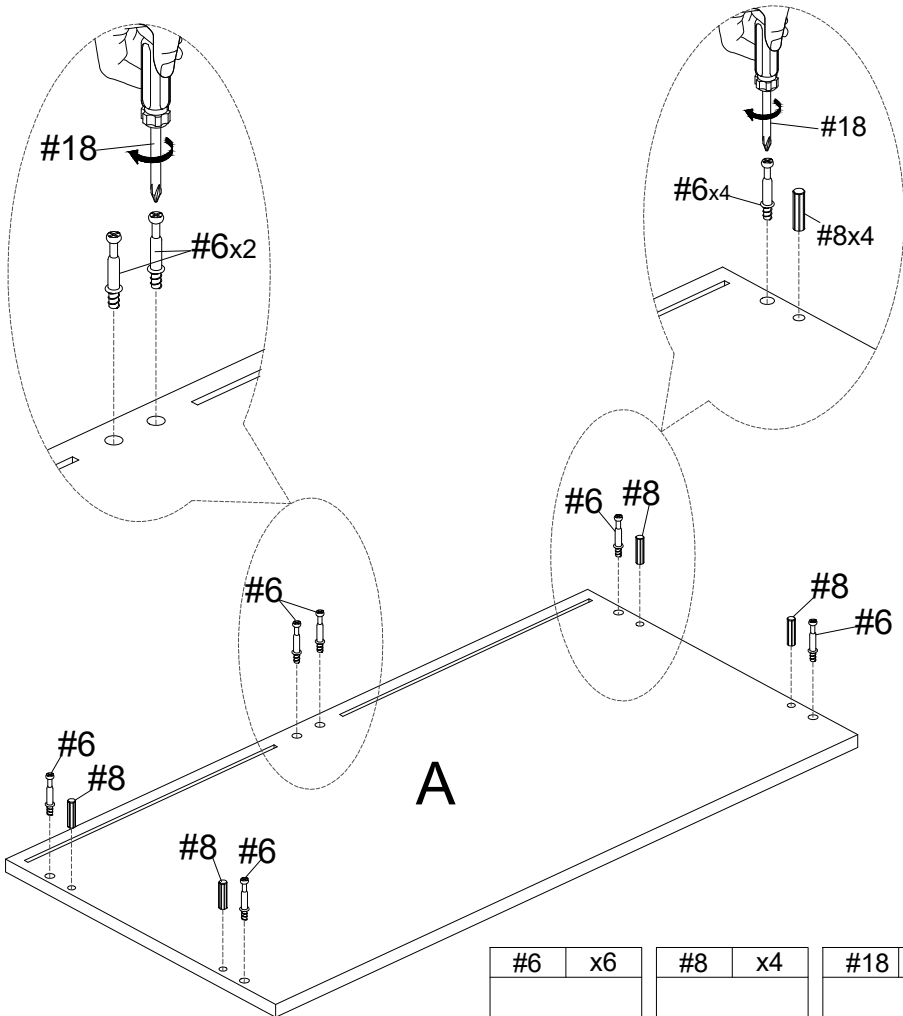



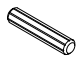
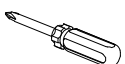
#8	x4	#9	x4	#11	x4	#18	x1
							
Ø8*30mm		Ø15*11mm		Ø20mm			

ASSEMBLY INSTRUCTIONS

STEP-3

1.Prepare for part A. Align the holes in part A, insert wooden dowel #8 by hand, tighten with screwdriver #18 tighten #6.

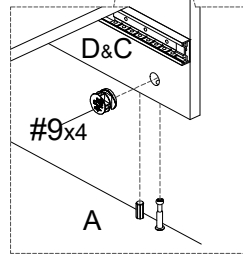
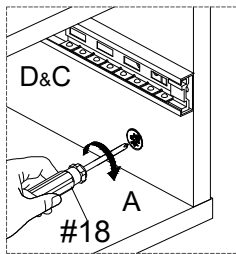
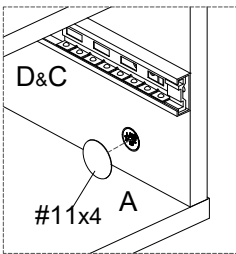
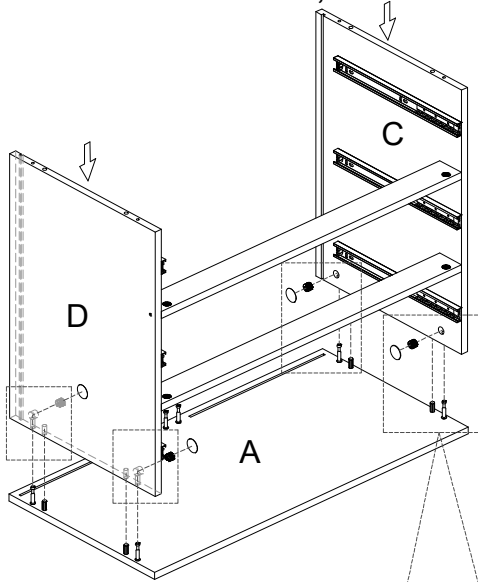


#6	x6	#8	x4	#18	x1
					
ø6*35mm		ø8*30mm			

ASSEMBLY INSTRUCTIONS

STEP-4

1. Insert the preassembly step 3 into the panel (A), make sure all holes aligned and insert cam bolt #9 into the corresponding hole of side panel (C) & (D), tighten cam bolt #9 with screwdriver #18. after installation, cover the screw holes with #11.



#9	x4
ø15*11mm	

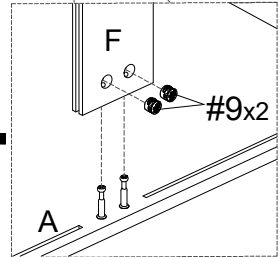
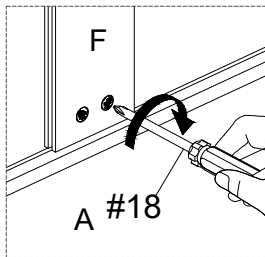
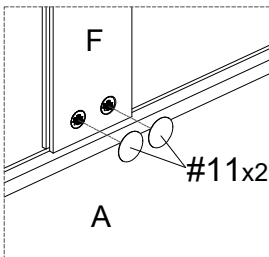
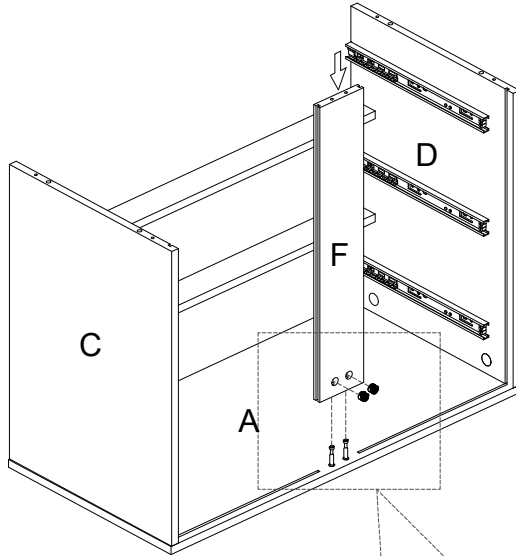
#11	x4
ø20mm	


#18	x1


ASSEMBLY INSTRUCTIONS

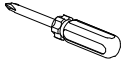
STEP-5

1. Insert the part (F) into the panel (A), make sure all holes aligned and insert cam bolt #9 into the corresponding hole of side panel (F), tighten cam bolt #9 with screwdriver #18 after installation, cover the screw holes with #11.



#9	x2
	
ø15*11mm	

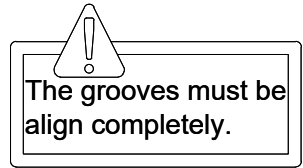
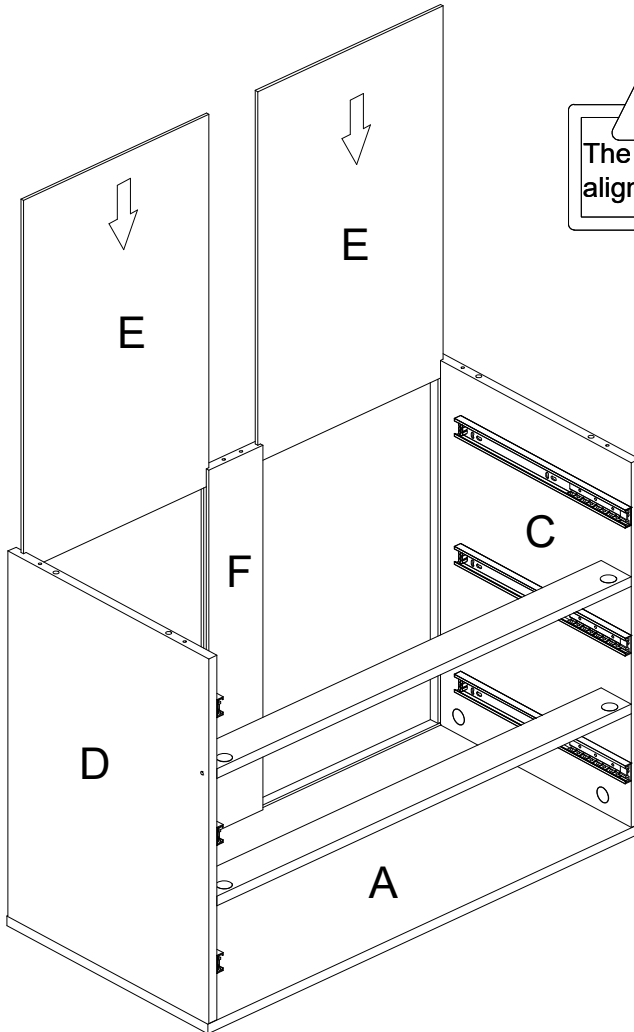
#11	x2
	
ø20mm	

#18	x1
	

ASSEMBLY INSTRUCTIONS

STEP-6

slide in the part E into the groove in part (C&F) and (D&F) and. make sure they are also in groove in part A.



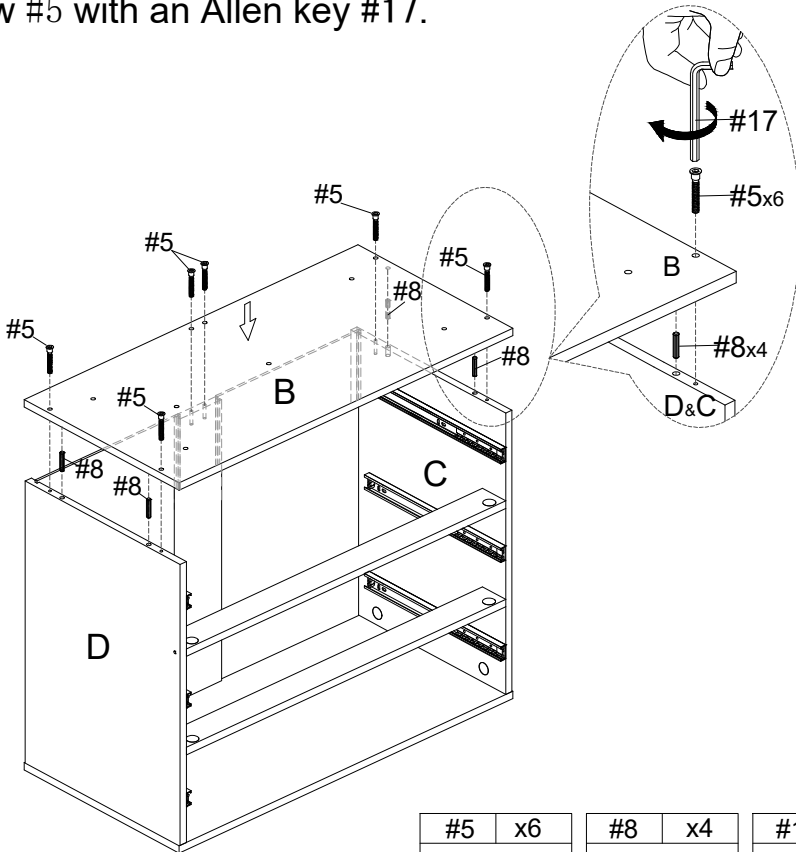
The grooves must be aligned completely.


ASSEMBLY INSTRUCTIONS

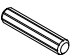
STEP-7


1. Connect the part B the pre-assembled unit in step 6. Insert the wooden dowel #8 into the part C&D as the picture show.

Then align the holes in part B, Insert screw #5 and push it down so that it connects to parts C&D. Next, and tighten the screw #5 with an Allen key #17.



#5	x6
	
M7*50mm	

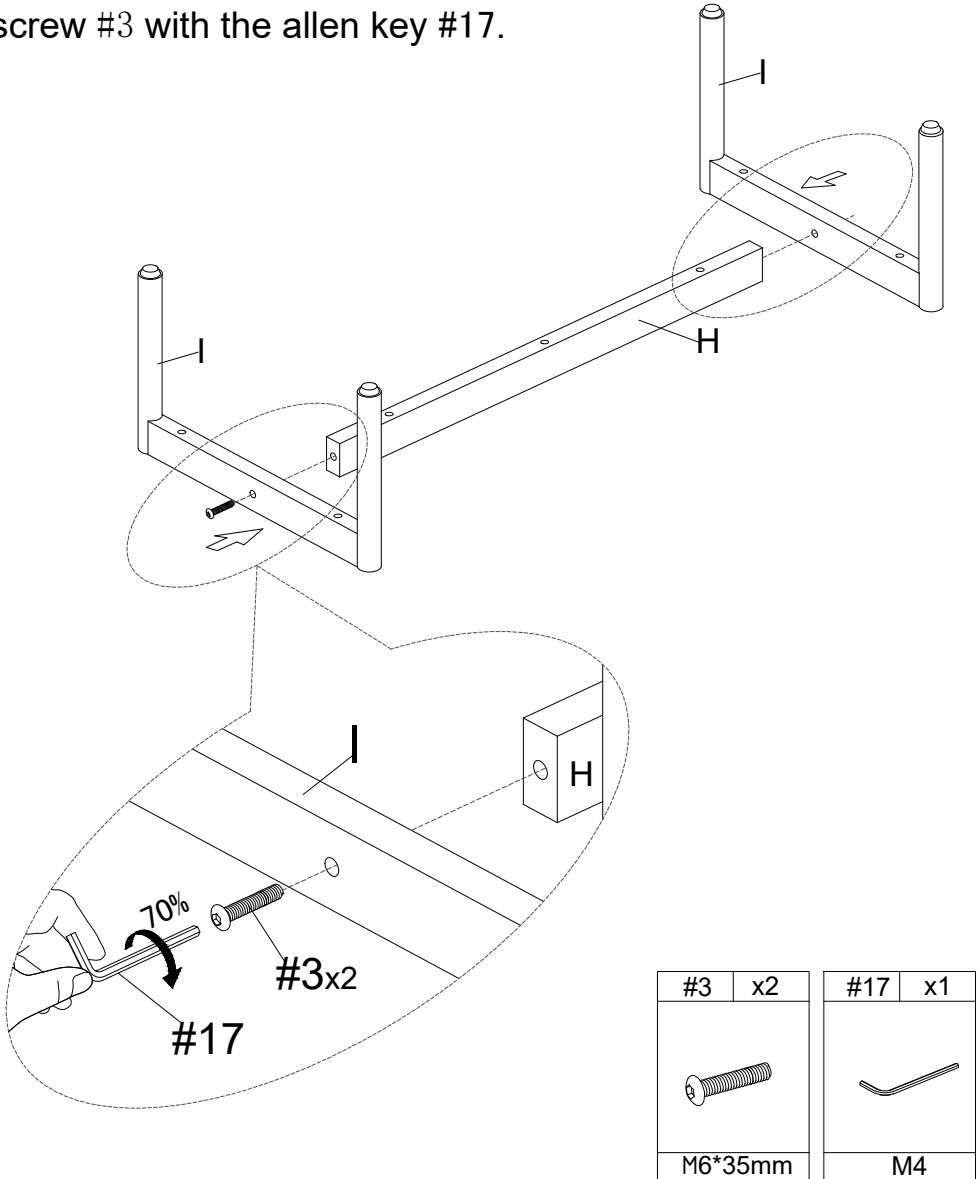
#8	x4
	
ø8*30mm	

#17	x1
	
M4	

ASSEMBLY INSTRUCTIONS

STEP-8

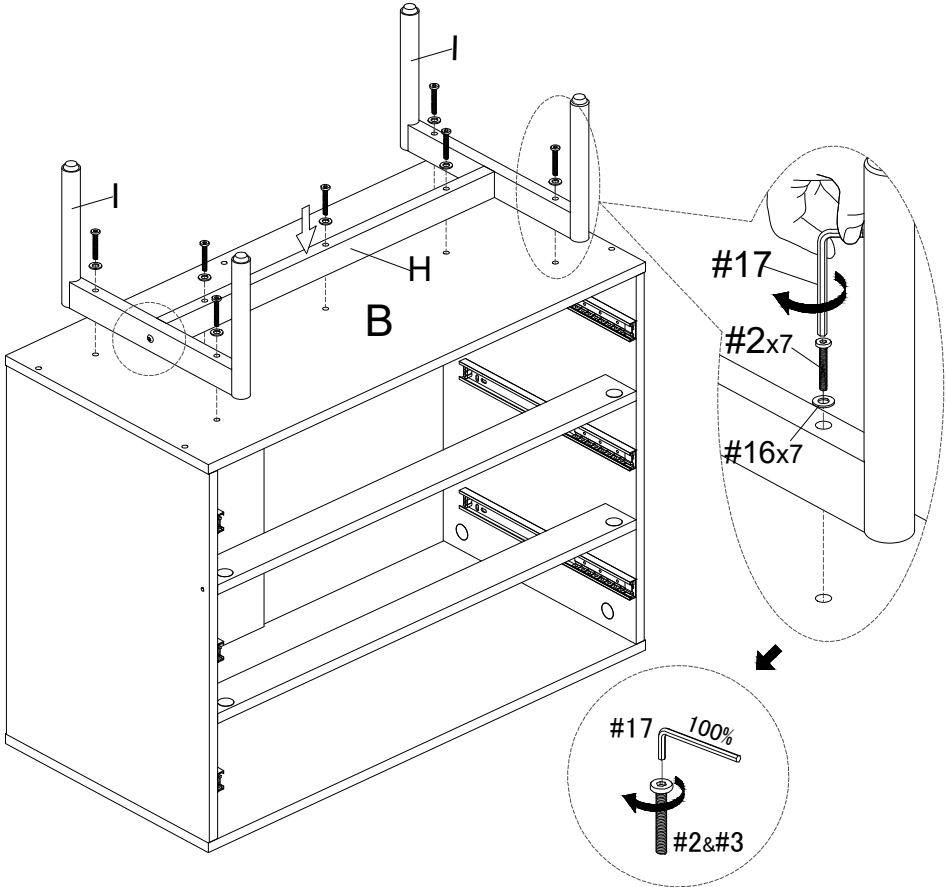
1. Prepare the leg racks. Align the holes of the (H) part with the holes of the (I) part, insert the screw #3, and tighten the screw #3 with the allen key #17.






ASSEMBLY INSTRUCTIONS

STEP-9

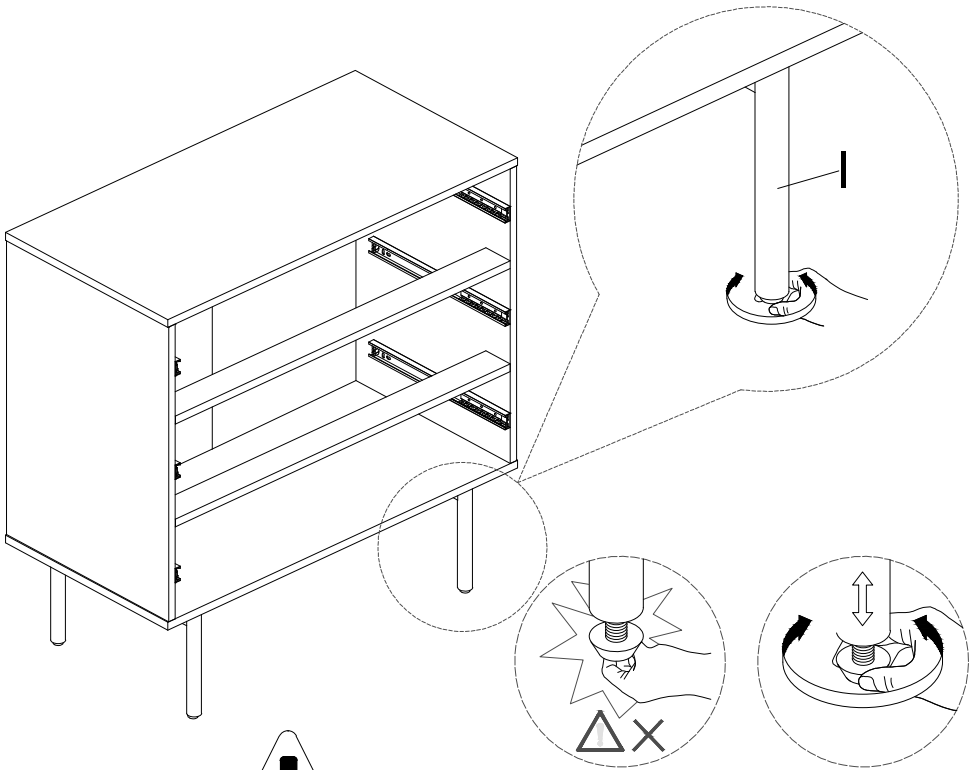
1. Connect the leg frame to the cabinet. Attach the leg frame to the pre-assembled unit in step 7 with a screw #2 and tighten #2 with a allen key #17.



#2	x7	#16	x7	#17	x1
					
M6*50mm		Ø13*6.5*1mm		M4	

ASSEMBLY INSTRUCTIONS

STEP-10

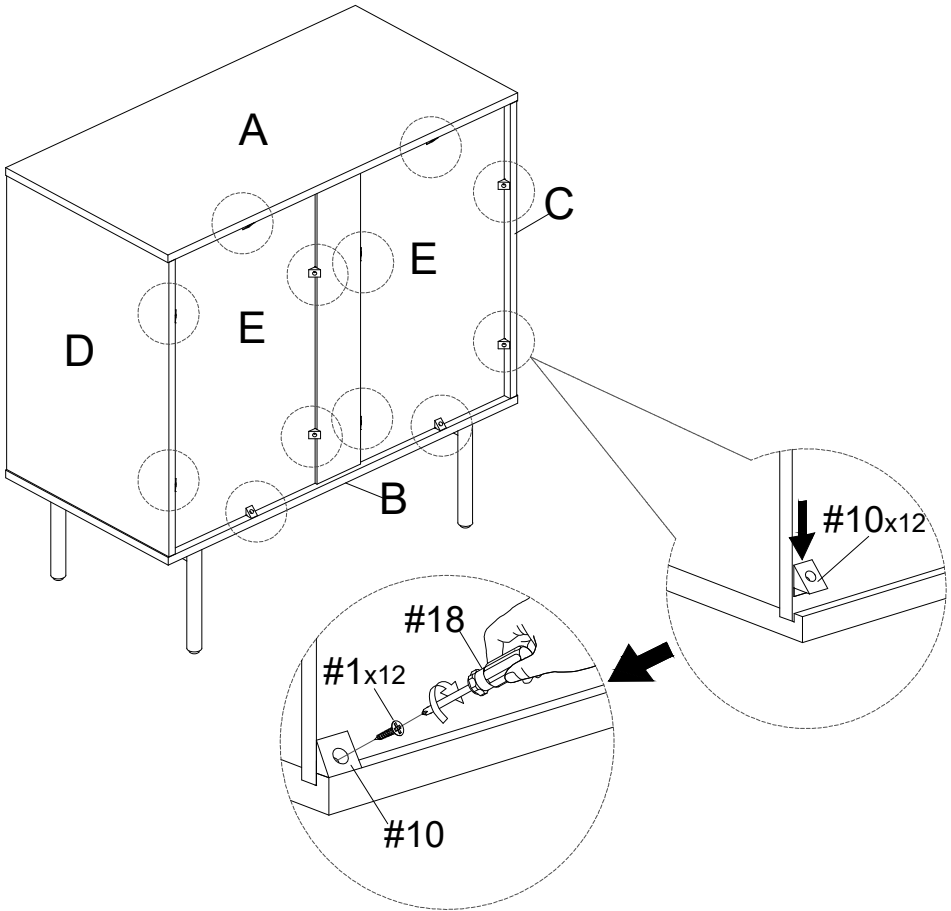




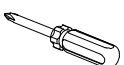
!
Attention:
Before the next step, adjust the feet of the locker to keep it level.

ASSEMBLY INSTRUCTIONS

STEP-11

1. Insert hardware #10 into part E as shown, screw in screw #1 using screwdriver #18 and tighten fully.

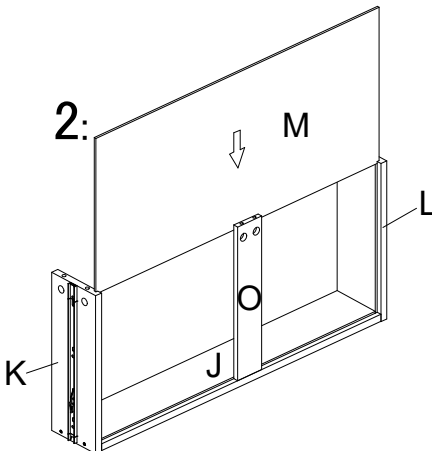
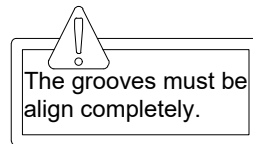
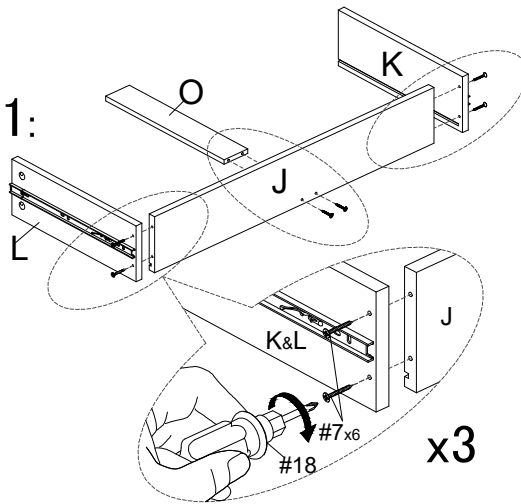



#1	x12	#10	x12	#18	x1
					
Ø3.5*14mm					

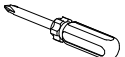
ASSEMBLY INSTRUCTIONS

STEP-12

1. Use bolt #7 to attach drawer side (L&K) to drawer back (J), tighten bolt #7 with screwdriver #18, and use bolt #7 to attach part (O) to drawer back (J), tighten bolt #7 with screwdriver #18. slide in the part (M) into the groove in part (K&L). make sure they are also in groove in part (J).



#7	x18
	
M4*35mm	

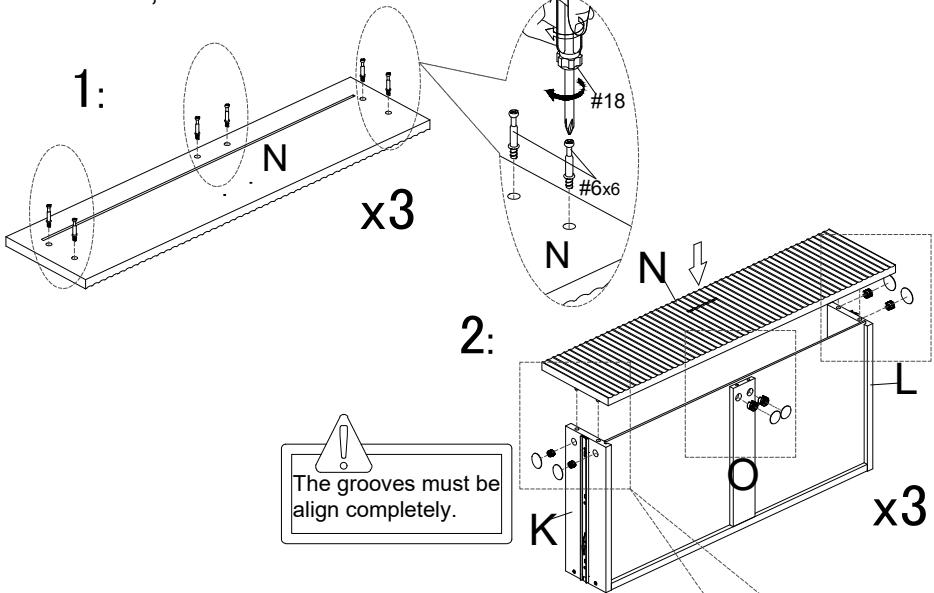
#18	x1
	

ASSEMBLY INSTRUCTIONS

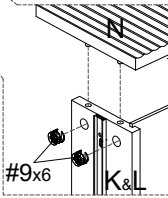
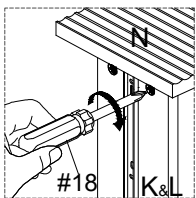
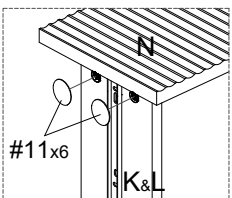
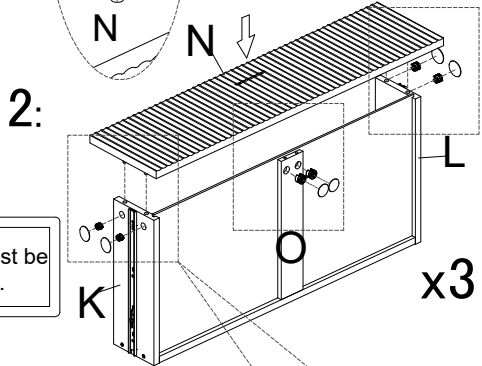
STEP-13

1. Insert bolt #6 into the corresponding hole of drawer front(N), tighten bolt #6 with screwdriver #18.

2. Insert drawer front (N) into preassemble step 12, make sure all holes aligned and insert cam bolt #9 into the corresponding hole of drawer K&L&O, tighten cam bolt #9 with screwdriver #18. after installation, cover the screw holes with #11.



!
The grooves must be align completely.



#6	x18
ø6*35mm	

#9	x18
ø15*11mm	

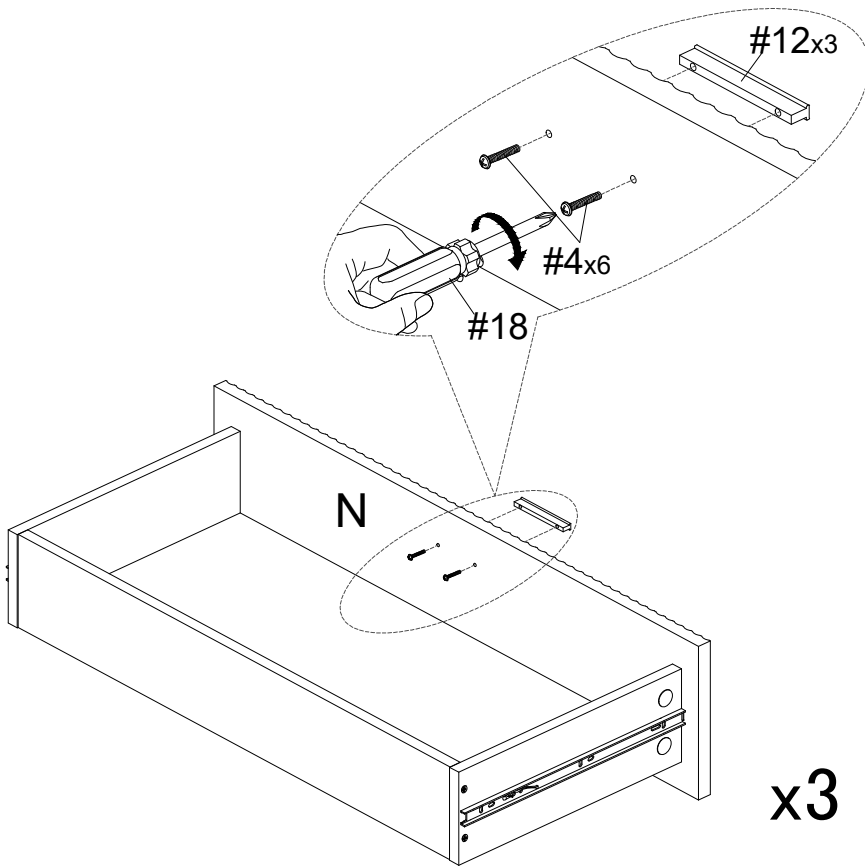
#11	x18
ø20mm	

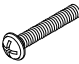

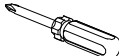
#18	x1

ASSEMBLY INSTRUCTIONS

STEP-14

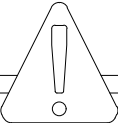
1. Use bolt #4 to attach handle #12 to drawer front (N) , tighten bolts #4 with screwdriver #18.



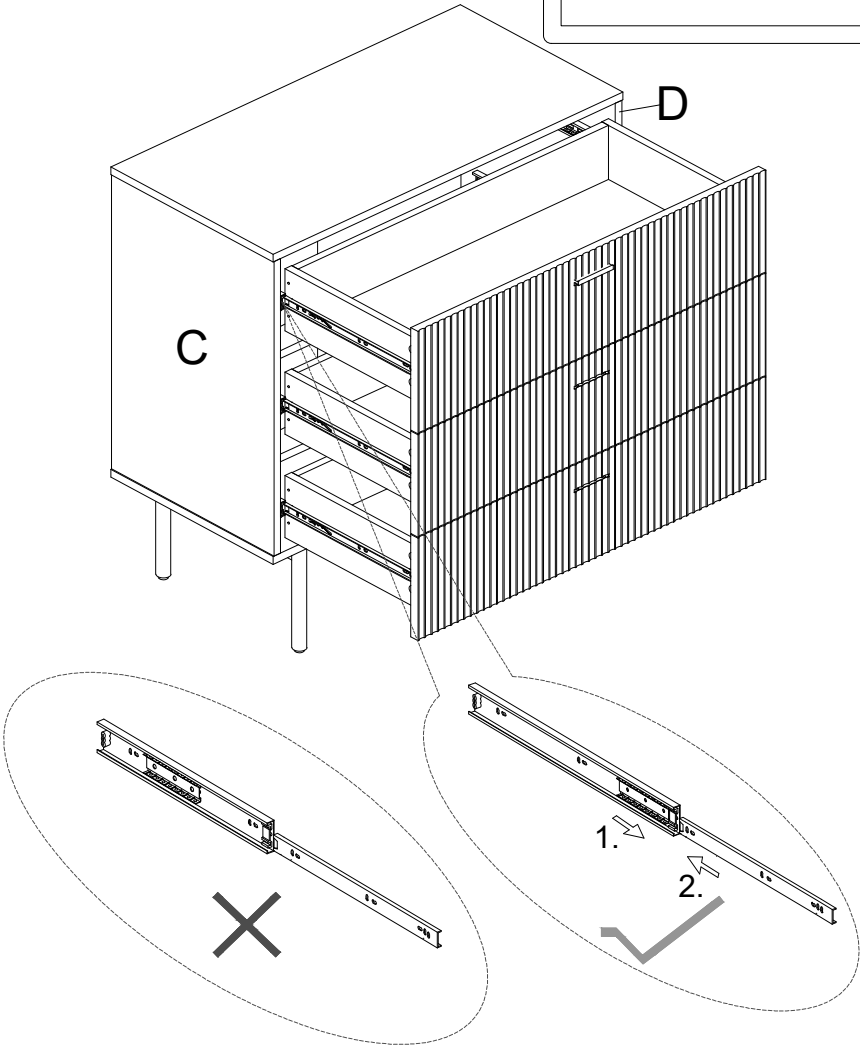
#4	x6	#12	x3	#18	x1
					

ASSEMBLY INSTRUCTIONS

STEP-15



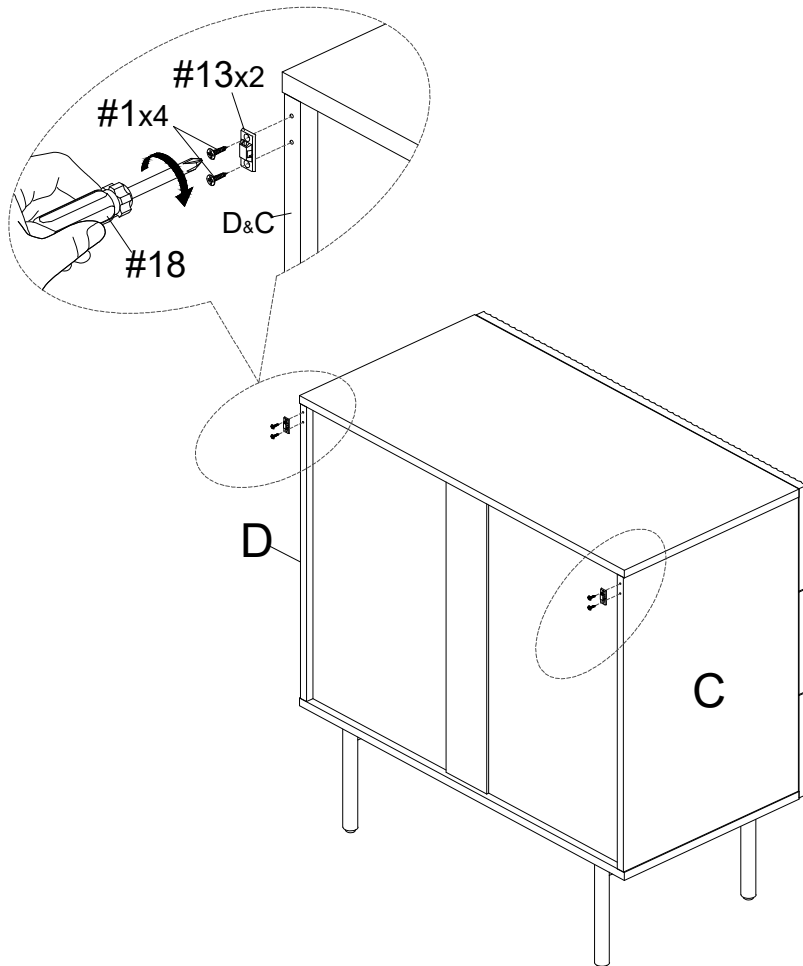
Attention: When installing the drawer, slide the steel ball slide rail of side panel to the most front as picture show.




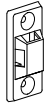
ASSEMBLY INSTRUCTIONS

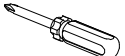
STEP-16

1. Attach part #13 to side panel D, C with bolt #1 and tighten the bolt with screwdriver #18.

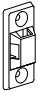


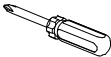


#1	x4
	
Ø3.5*14mm	

#13	x2
	

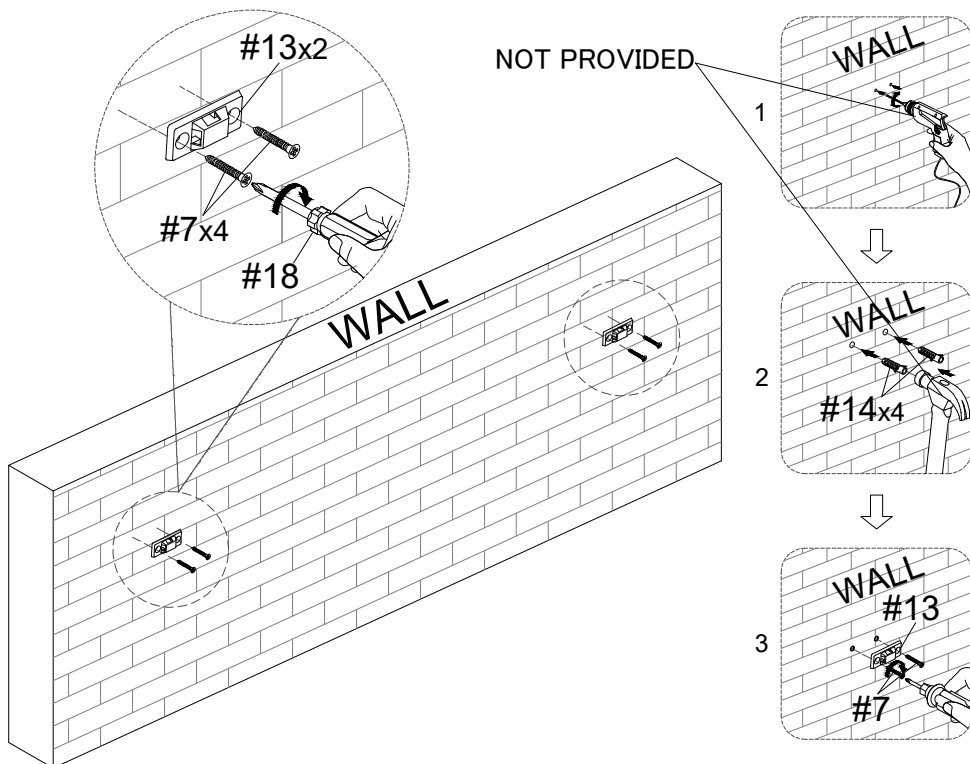
#18	x1
	

ASSEMBLY INSTRUCTIONS

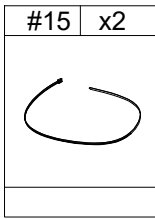
#13	x2	#7	x4	#14	x4	#18	x1
							
		Ø3.5*35mm					

STEP-17

1. Mark the position on the wall, that corresponds to the location of bracket #13 on the side panel(C&D) ; Drill and insert the expandable screw #14 by hammer.
2. Assemble the bracket #13 to the wall. Align the hole in the bracket #13 with the expandable screw #14,use screw #7 to attach it, tighten screw #7 with screwdriver #18.

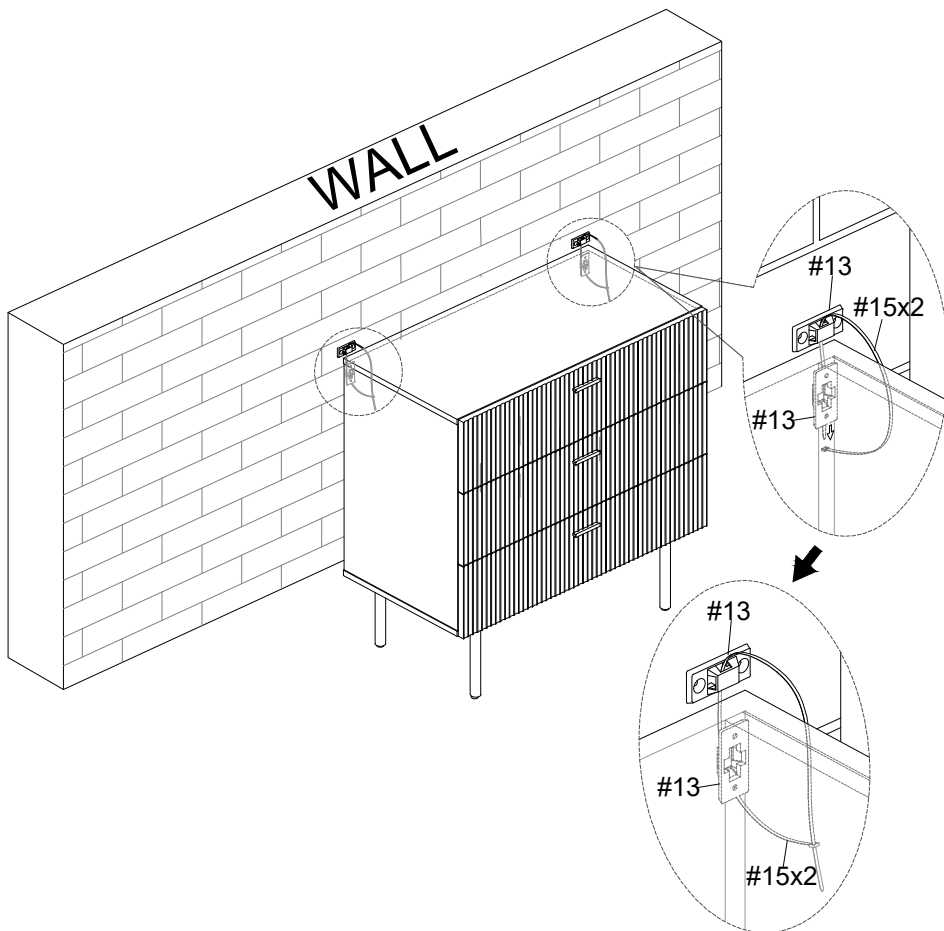


ASSEMBLY INSTRUCTIONS



STEP-18

1. Let the plastic belt #15 pass through the both part #13 and pull tightly.



WARRANTY

1. We strive to offer high-quality products, and we also try our best to satisfy each and every customer that orders from us with product or service as needed.
2. We provide 30 days warranty starting from the time you receive the item. Each customer must provide a record of their order such as the order number, or item receipt for any items that are out of the warranty period you may also still receive.
3. Replacement parts by purchasing them with our company if they are available.