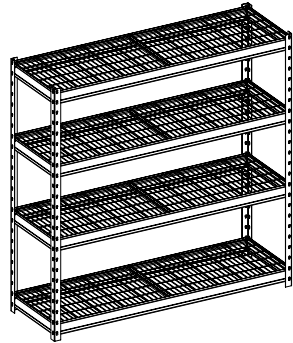
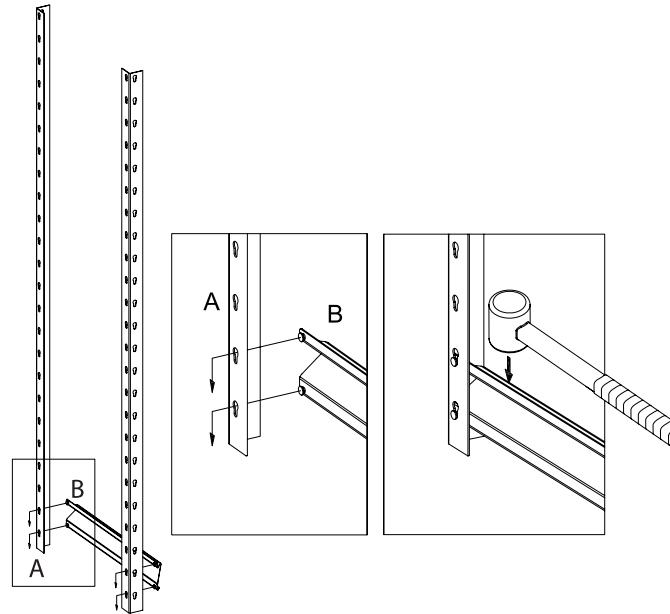


THE ATLAS

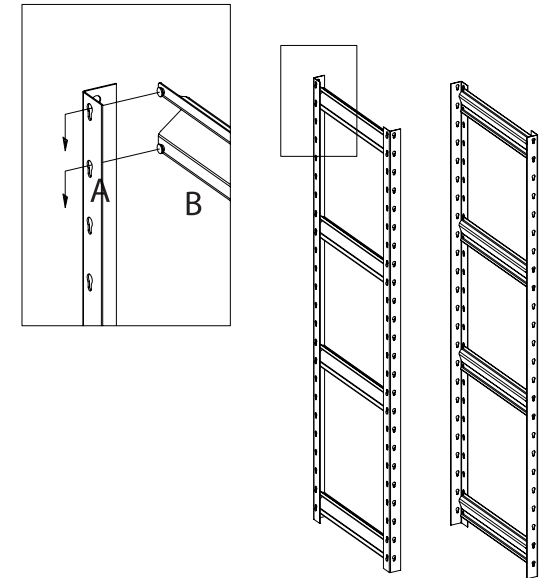
72"W x 24"D x 72"H
Assembly Instructions



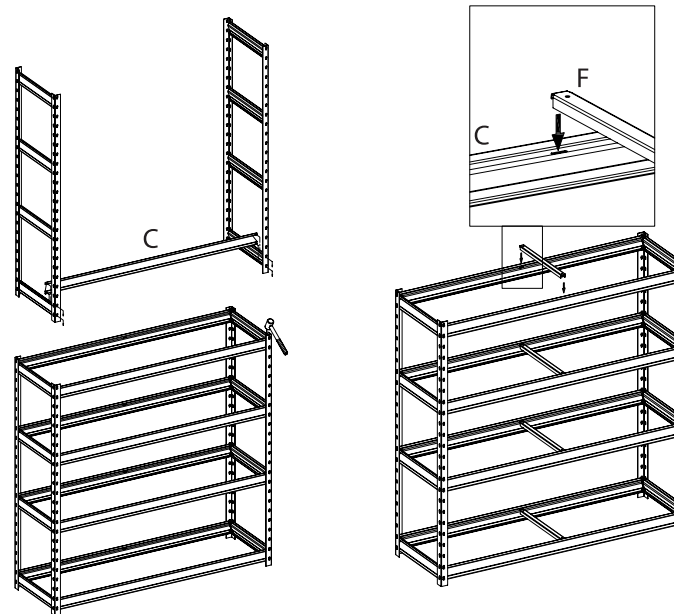
1



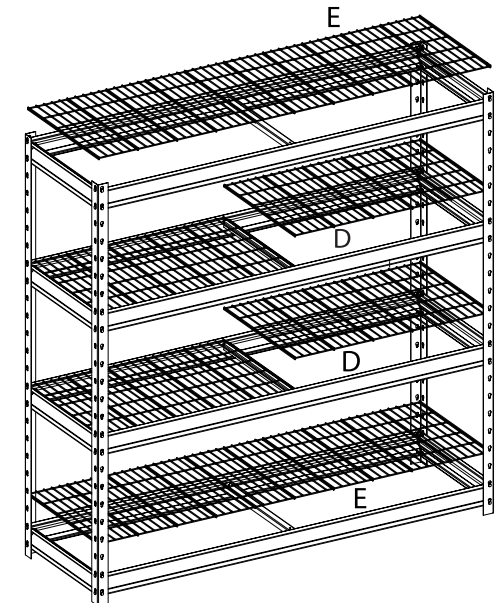
2



3



4



A x4

B x8

F x4

C x8

D x4

E x2

