







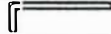


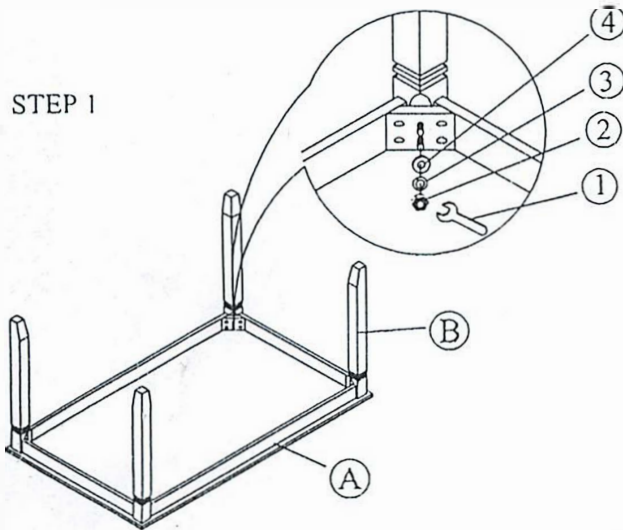
ASSEMBLY INSTRUCTIONS

KEEP THIS DOCUMENT FOR REFERENCE IN CASE PARTS ARE NEEDED
DO NOT TIGHTEN SCREWS UNTIL COMPLETELY ASSEMBLED !

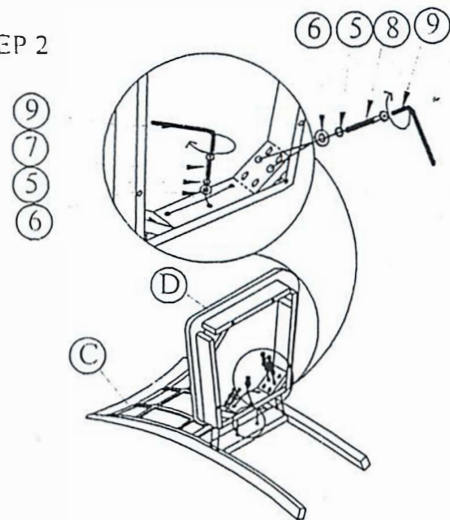
No.	DESCRIPTION	Q'TY FOR 7PCS
A	TABLE TOP	1pc
B	TABLE LEG	4pcs
C	CHAIR BACK	6pcs
D	CHAIR SEAT	6pcs
E	CHAIR LEG	12pcs

No.	DESCRIPTION	Q'TY FOR 7PCS
1	OPEN WRENCH 	1pc
2	NUT  5/16"	32pcs
3	SPRING WASHER  5/16"	32pcs
4	METAL WASHER  5/16"	32pcs
5	SPRING WASHER  1/4"	42pcs
6	METAL WASHER  1/4"	42pcs
7	BOLT  1/4"*38MM	18pcs
8	BOLT  1/4"*80MM	24pcs
9	ALLEN KEY 	1pc

STEP 1



STEP 2



STEP 3

