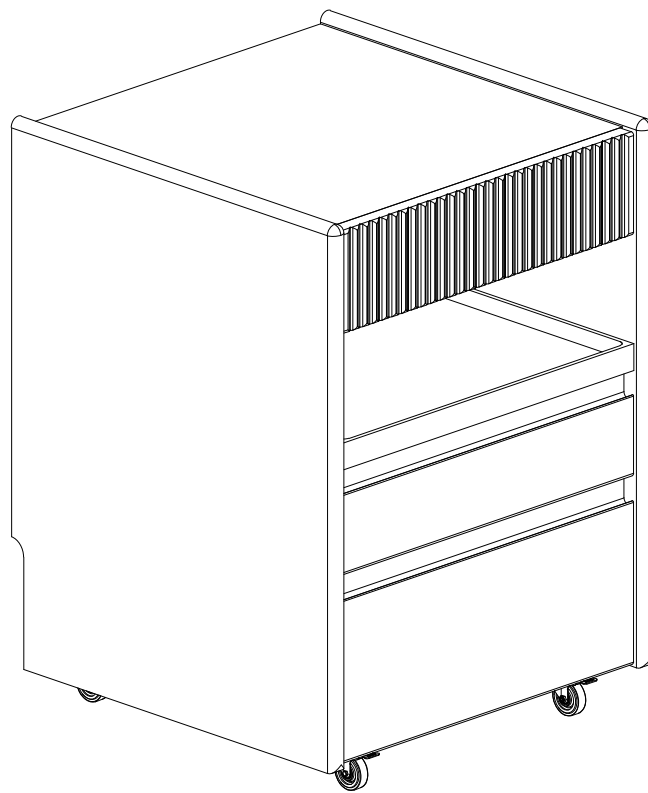


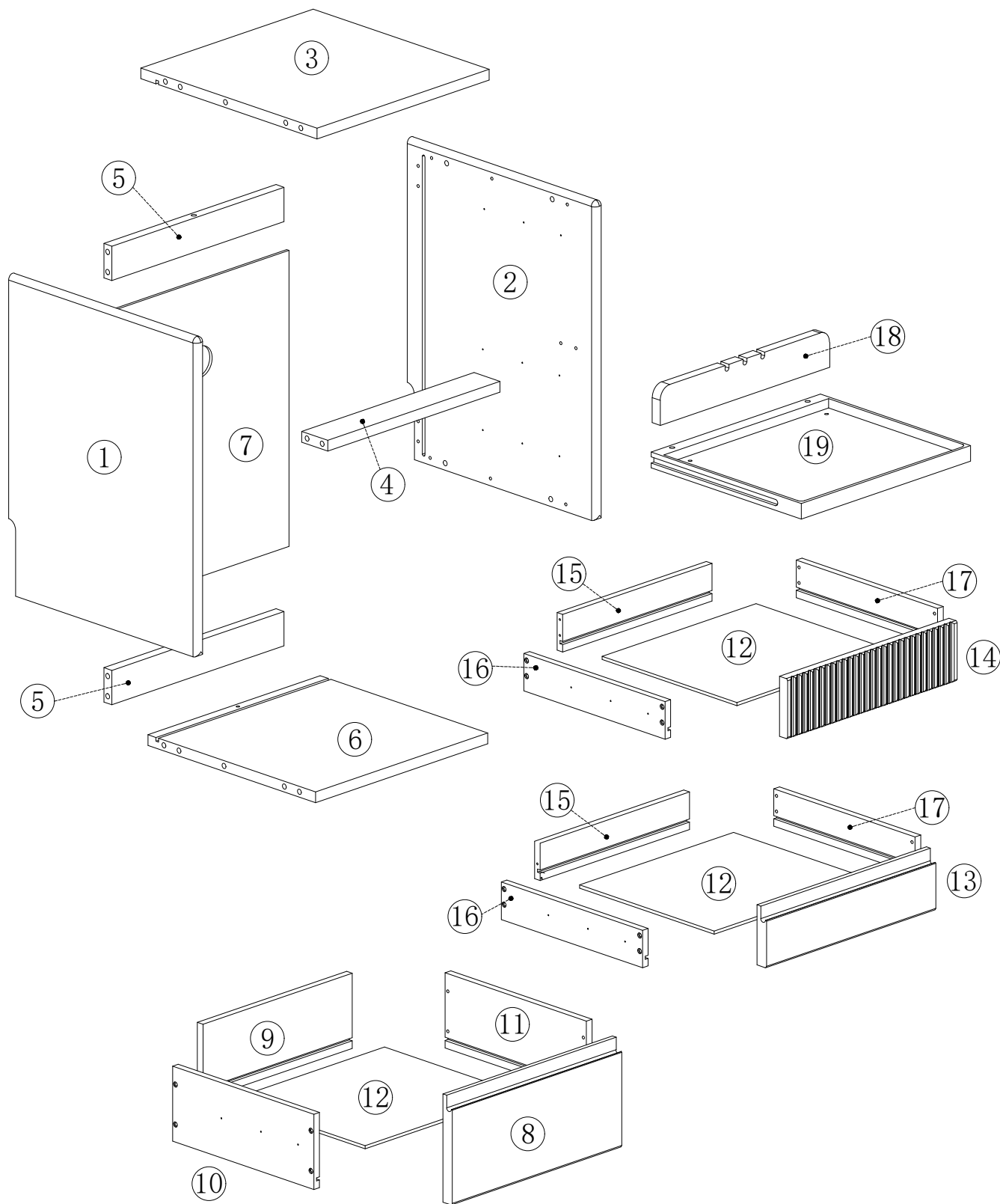
Nightstand - 40CM



Installation Diagram

Specification

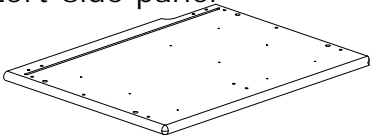
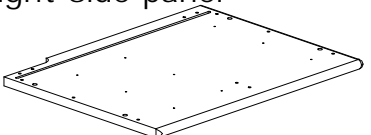
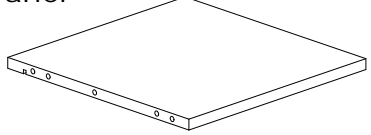
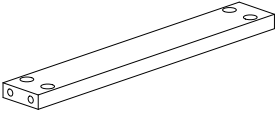
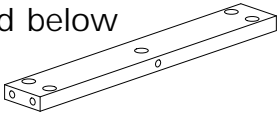
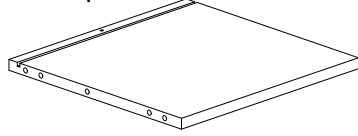
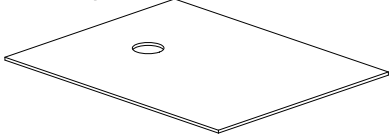
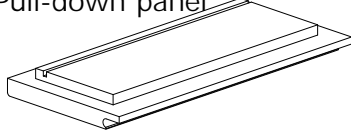
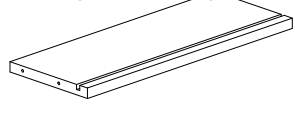
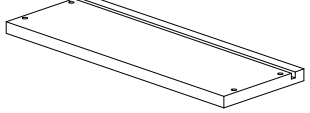
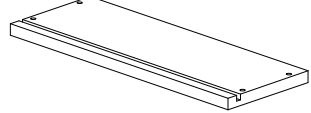
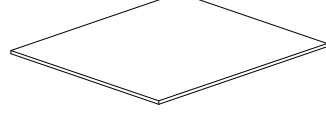

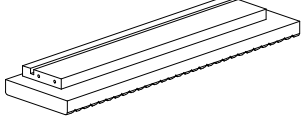
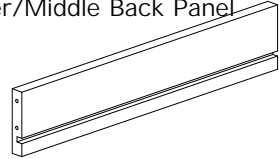
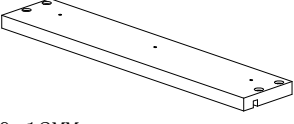
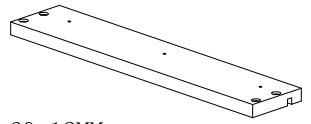
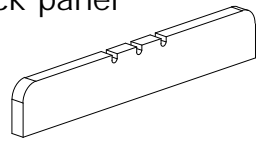
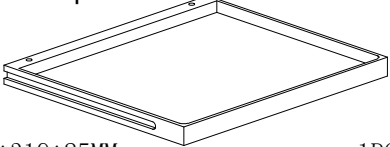
Name: **Nightstand-40CM**




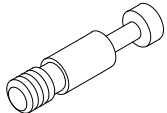


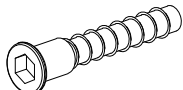
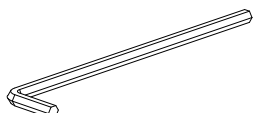
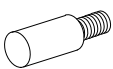
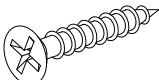
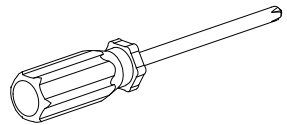





Specification
Name:

Nightstand-40CM

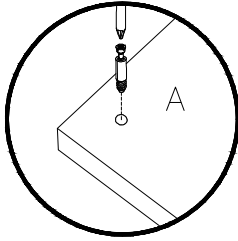
Parts List

<p>① Left side panel</p>  <p>510*400*17MM 1PC</p>	<p>② Right side panel</p>  <p>510*400*17MM 1PC</p>	<p>③ Panel</p>  <p>366*374*17MM 1PC</p>
<p>④ Drawer bottom crossbar</p>  <p>366*55*17MM 1PC</p>	<p>⑤ Horizontal bars above and below</p>  <p>366*55*17MM 2PCS</p>	<p>⑥ Base plate</p>  <p>366*356*17MM 1PC</p>
<p>⑦ Back panel</p>  <p>473*376*5MM 1PC</p>	<p>⑧ Pull-down panel</p>  <p>360*173*32MM 1PC</p>	<p>⑨ Lower pull-out panel</p>  <p>317*120*12MM 1PC</p>
<p>⑩ Pull down the left side panel</p>  <p>300*120*12MM 1PC</p>	<p>⑪ Pull down the right side panel</p>  <p>300*120*12MM 1PC</p>	<p>⑫ Pull-out bottom panel</p>  <p>327*286*5MM 3PCS</p>
<p>⑬ Center Panel</p>  <p>360*96*32MM 1PC</p>	<p>⑭ Upper pull-out panel</p>  <p>360*96*29MM 1PC</p>	<p>⑮ Upper/Middle Back Panel</p>  <p>317*60*12MM 2PCS</p>
<p>⑯ Upper/Middle Left Side Panel</p>  <p>300*60*12MM 2PCS</p>	<p>⑰ Upper/Middle Right Side Panel</p>  <p>300*60*12MM 2PCS</p>	<p>⑱ Back panel</p>  <p>360*60*17MM 1PC</p>
<p>⑲ Pull plate</p>  <p>360*319*25MM 1PC</p>		

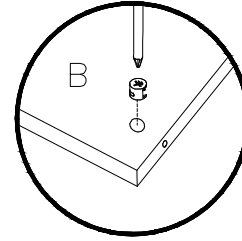
Hardware List

<p>A Two-in-one lock handle</p>  <p>15*9MM 26+2PCS</p>	<p>B Two-in-one screw</p>  <p>L=35MM 26+2PCS</p>	<p>C Huanmei Sticker</p>  <p>20MM 10+2PCS</p>
<p>D wooden tenon</p>  <p>8*30MM 8+1PCS</p>	<p>E Over Mountain Silk</p>  <p>#7*35MM 2+1PCS</p>	<p>F Hex wrench</p>  <p>M4*100MM 1PC</p>
<p>G Toothed laminated particle board</p>  <p>M6*12MM 2PCS</p>	<p>H Flat-head quick-release screw</p>  <p>#8*25MM 24+2PCS</p>	<p>I Phillips screwdriver</p>  <p>M6*128MM 1PC</p>
<p>J Silent Casters with Screw Mechanism (with Brake) ^L</p>  <p>Lead screw M6 x 12mm x 1 inch Total height: 38 mm (with brake) 2PCS</p>	<p>K Silent Casters with Screw Rods</p>  <p>Lead screw M6 x 12mm x 1 inch 2PCS</p>	<p>L Open-end wrench</p>  <p>#12MM 1PC</p>
<p>M Three-section steel ball slide rail</p>  <p>L=250*35MM 10-inch Wall thickness 1MM 3sets (6pcs)</p>	<p>N Flat-head wood screws</p>  <p>#3.5*12MM 36+3PCS</p>	

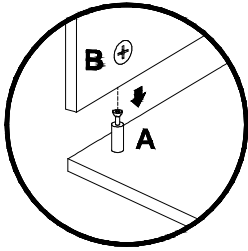
How to use the cam lock system



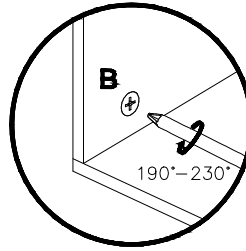
1. Screw cam bolt into panel



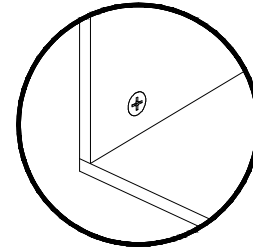
2. Push cam into panel - arrow feature on cam top points to panel edge



3. Align cam bolt(s) with cam(s) and insert all the way into cross-bored hole(s)

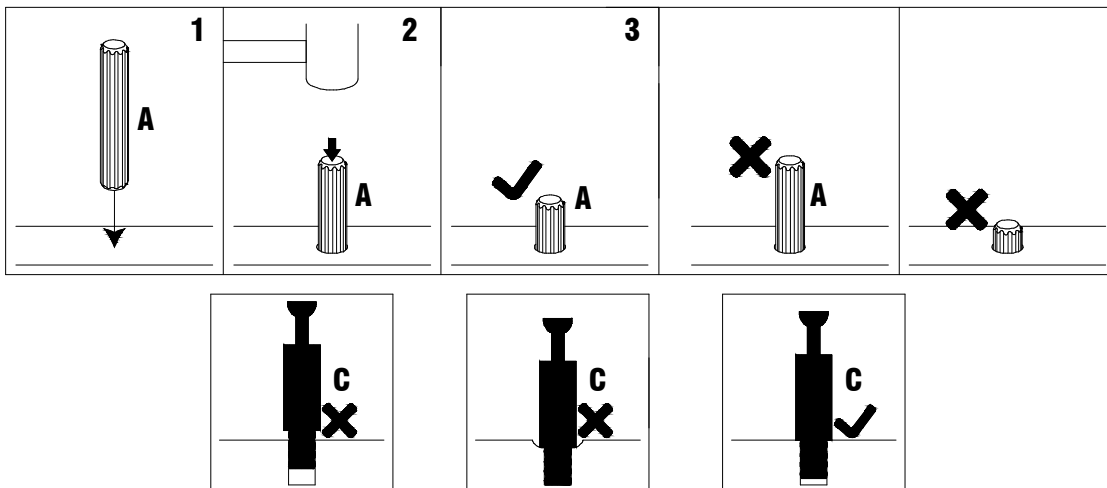


4. Rotate cam(s) clockwise 190°-230° to lock panels together



5. Panels should be tight against each other and connection should be rigid

Insert the wood dowel (A) at least half way by tapping lightly with a rubber mallet, IF NECESSARY



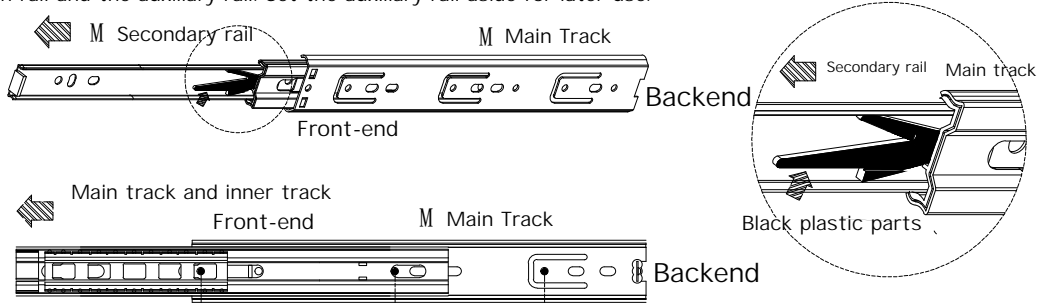
⚠ WARNING

- Unit must be placed on a level surface or leveled with included hardware (when applicable).
- Do not sit or stand on or allow children to climb, sit or stand on the assembled product.
- For safety reasons, it is imperative that this unit be mounted to the wall.
- Do not use without installing the tip restraint.
- Unit can tip over causing severe injury or death.
- Do not exceed the recommended weight limits.
- Evenly distribute the weight on each level and always keep the heavier loads on the bottom.
- Before cutting, drilling or hammering into any wall or floor surface, verify the location of electrical, plumbing and gas lines. Cutting may cause serious injury.

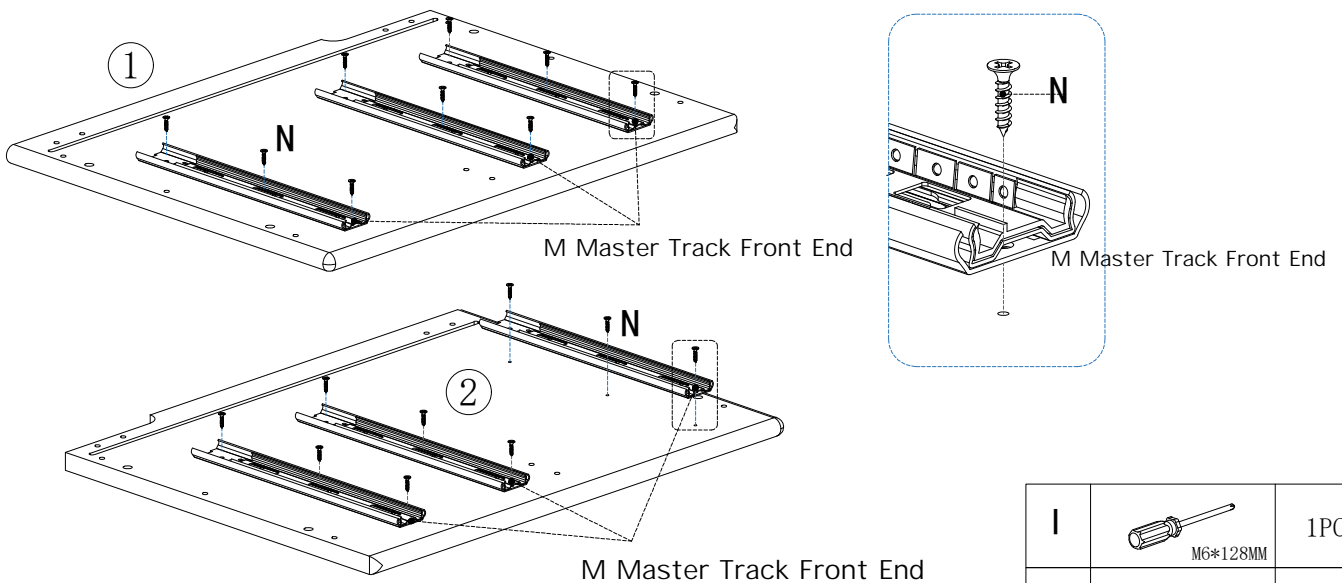
Specification Name: Nightstand-40CM

Step 1


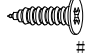

As shown in the figure, pull apart the slide rail M. Press down on the black plastic part as indicated in the figure to disassemble the slide rail into the main rail and the auxiliary rail. Set the auxiliary rail aside for later use.



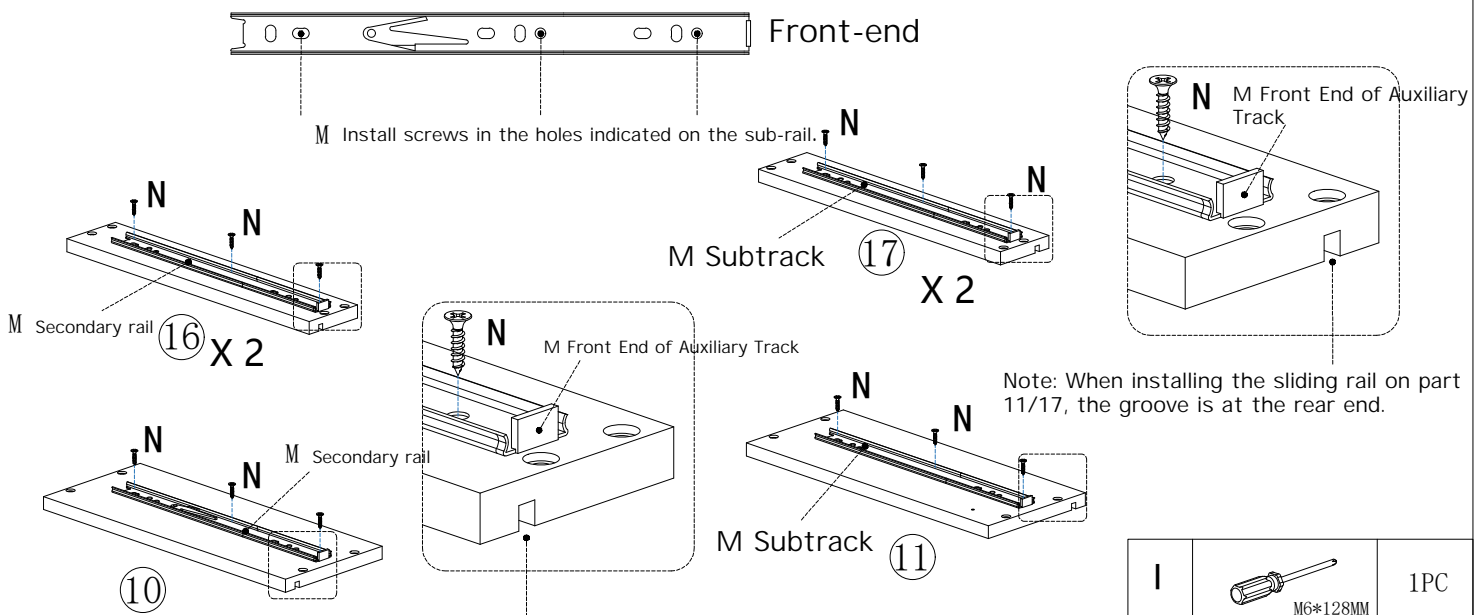
Note: Disassemble the main and auxiliary rails. After pulling apart the inner rail of the main rail, install screws into the holes shown.



As shown in the figure, separate the main track and sub-track of the hardware slide rail M as illustrated. Secure the main track to components 1/2 using hardware I/N, noting the front and rear ends of the main track.




I	 M6*128MM	1PC
N	 #3.5*12MM	18PCS
M	 L=250*35MM	3sets

Step 2



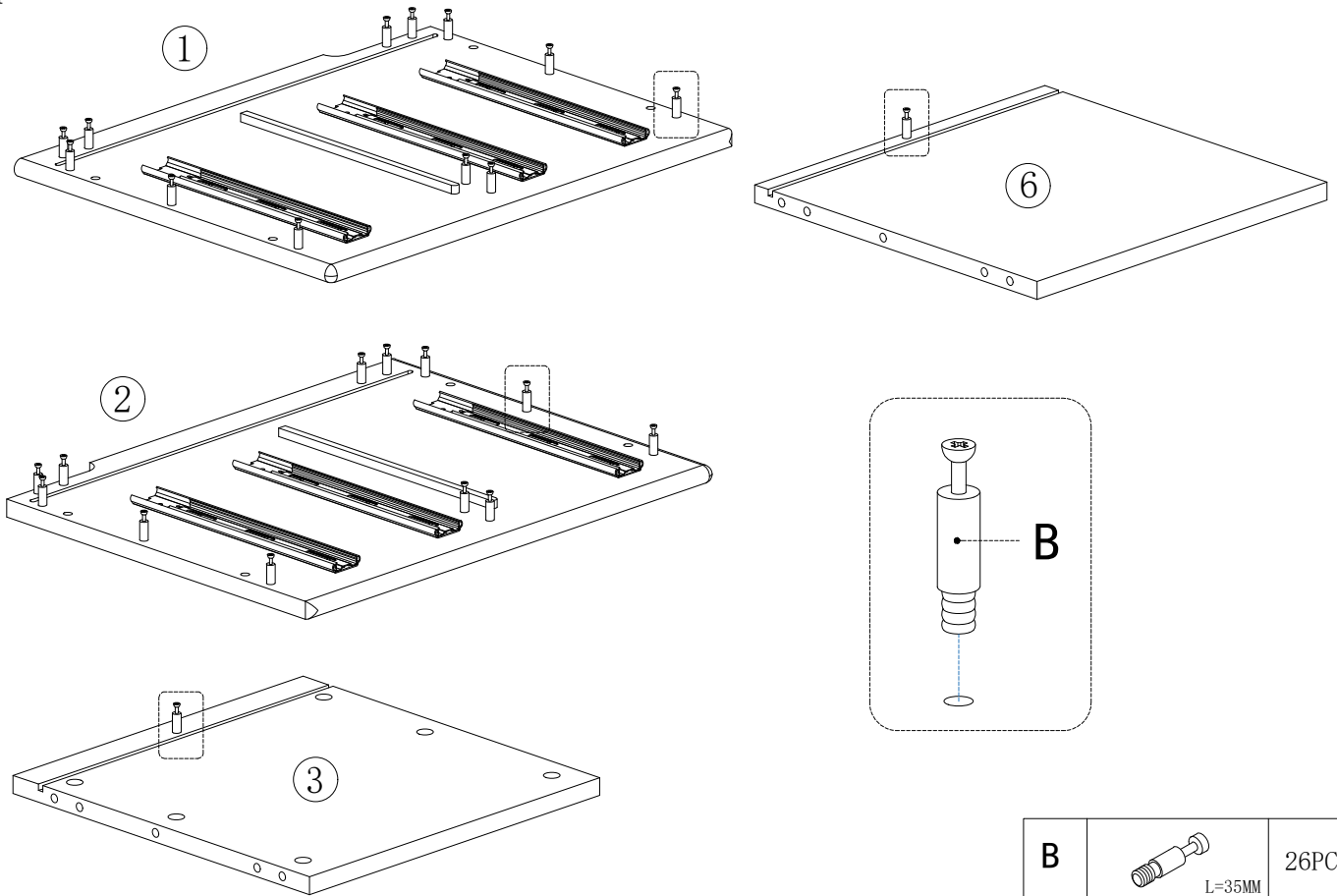
Note: When installing the slide rail on part 10/16, the groove should be at the front end.

As shown in the figure, secure the sub-rails from the disassembled Step1 slide rail M to components 10/11 and 16/17 using hardware I/N. Note the front and rear ends of the sub-rails.

I	 M6*128MM	1PC
N	 #3.5*12MM	18PCS
M	 L=250*35MM	3付

Specification Name: Nightstand-40CM

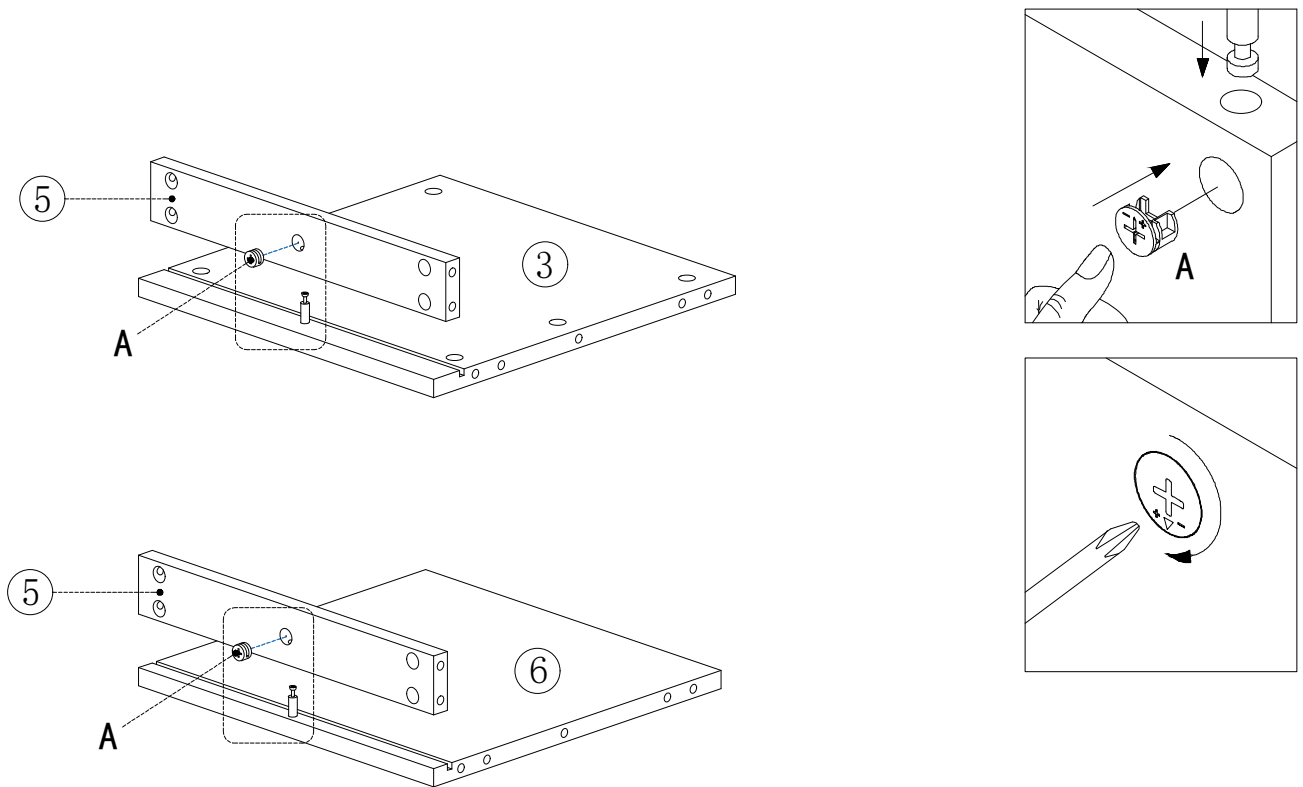
Step 3



As shown in the figure, use hardware I to secure hardware B to components 1/2/3/6.

B	 L=35MM	26PCS
I	 M6*128MM	1PC

Step 4

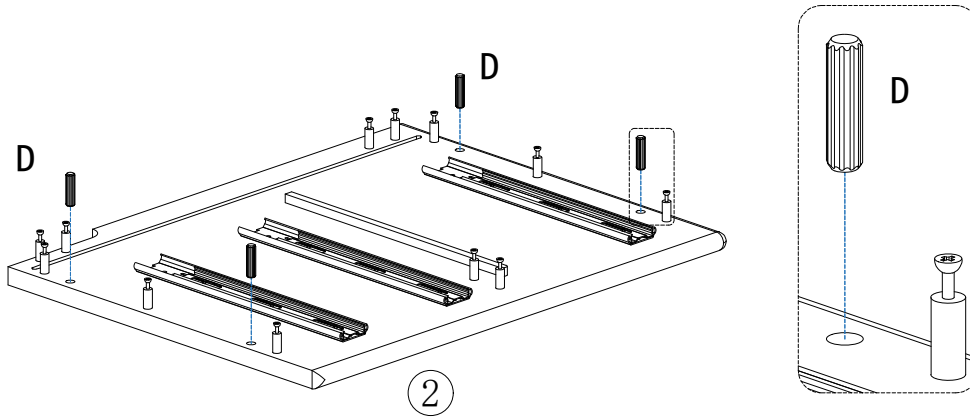


As shown in the figure, connect using hardware I/A components 3/5 and 3/6.

A	 15*9MM	2PCS
I	 M6*128MM	1PC

Specification Name:Nightstand-40CM

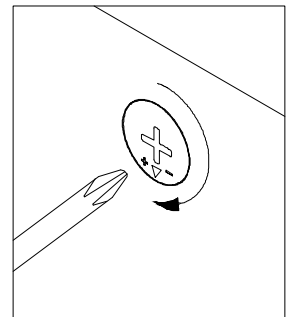
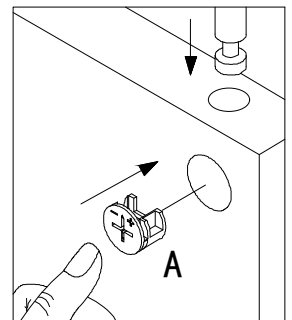
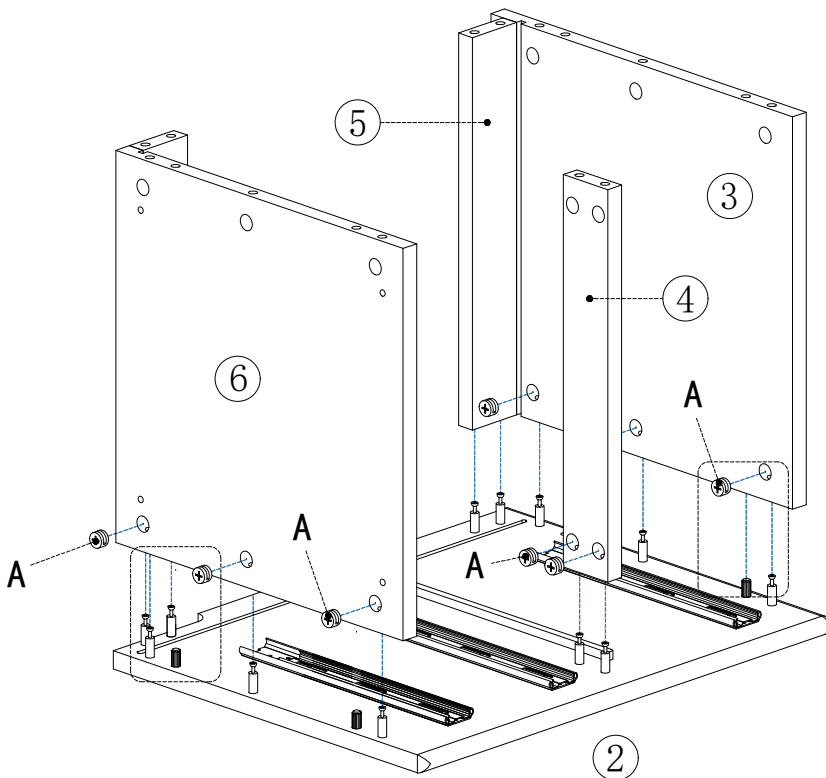
Step 5



As shown in the figure, insert hardware D into the assembled component 2 from Step 3 at the position indicated in the illustration.

D		4PCS
	8*30MM	

Step 6

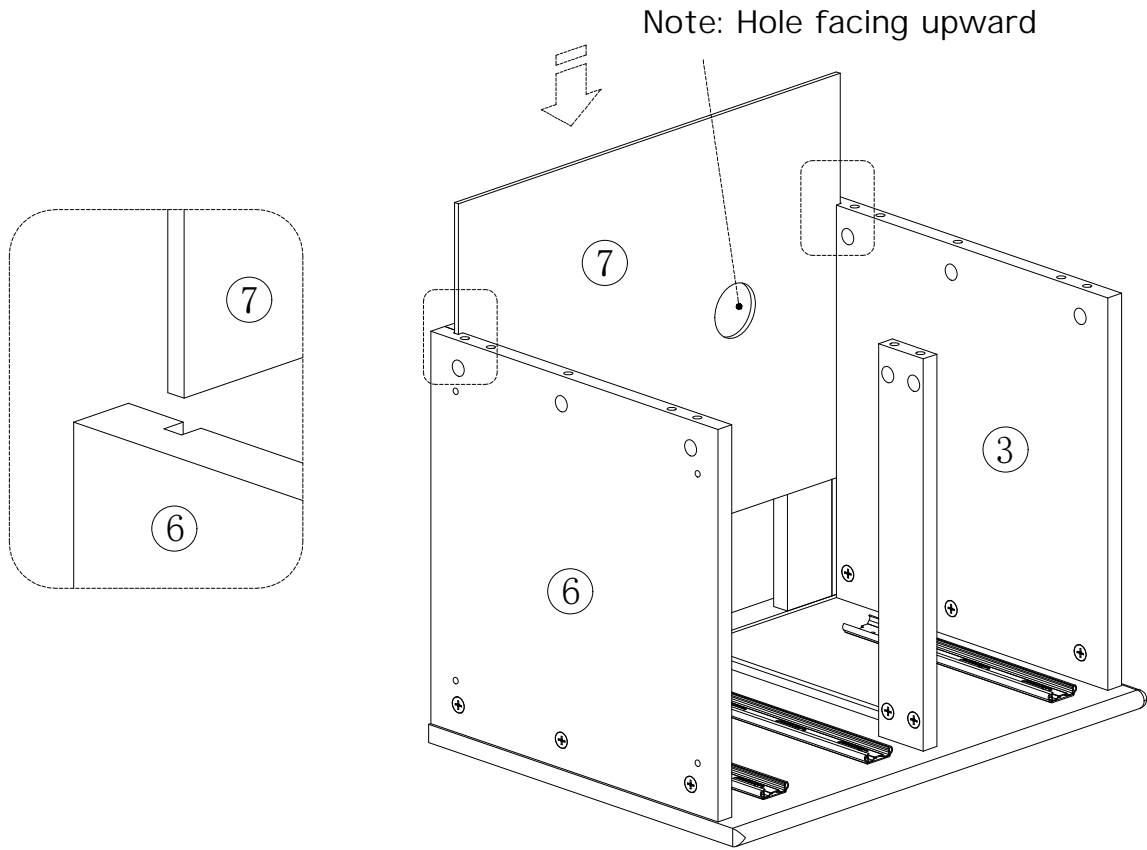


As shown in the diagram, use hardware A/I to connect the components assembled in Step 4 and Step 5. Then attach component 4 to component 2.

A		12PCS
	15*9MM	
I		1PC
	M6*128MM	

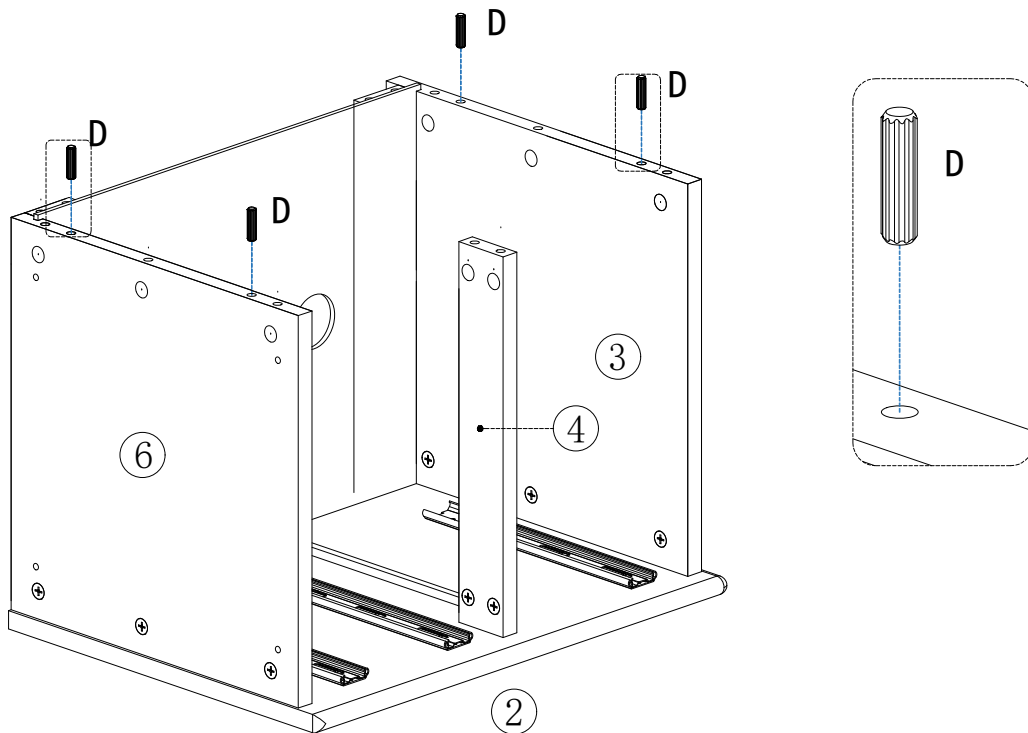
Specification Name: Nightstand-40CM

Step 7




As shown in the figure, insert component 7 into the assembly completed in Step 5.

Step 8

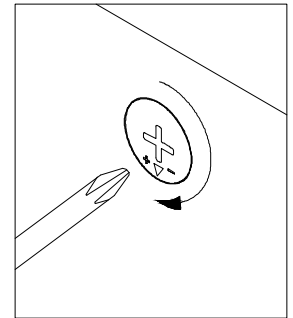
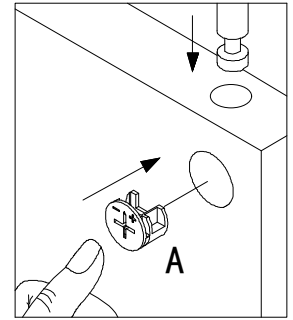
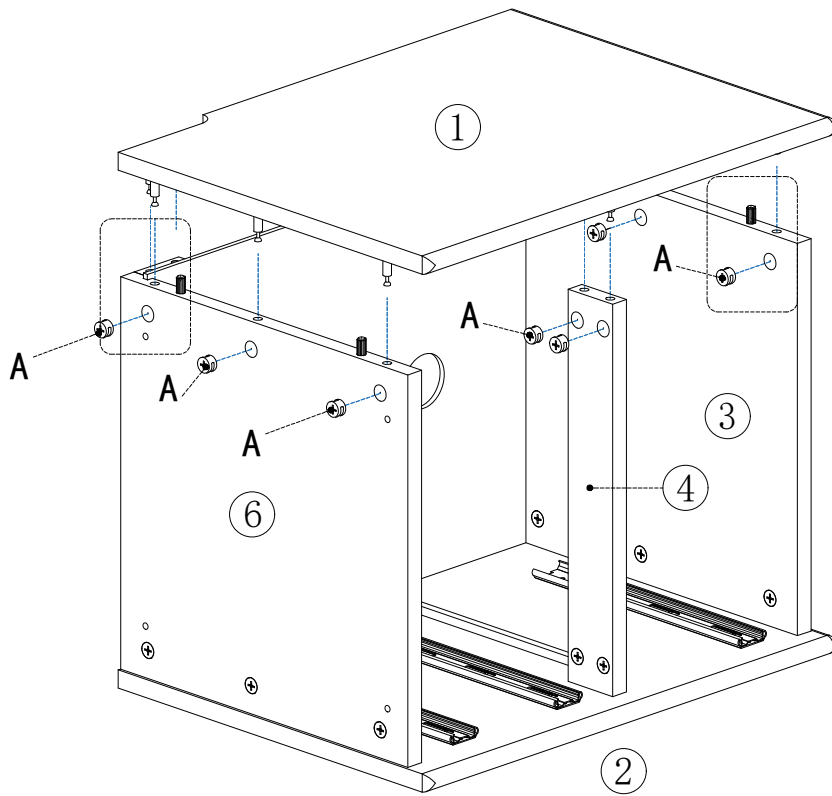


As shown in the figure, insert hardware D into the Step7 assembled component at the position indicated in the diagram.



D		4PCS
		8*30MM

Specification Name: Nightstand-40CM

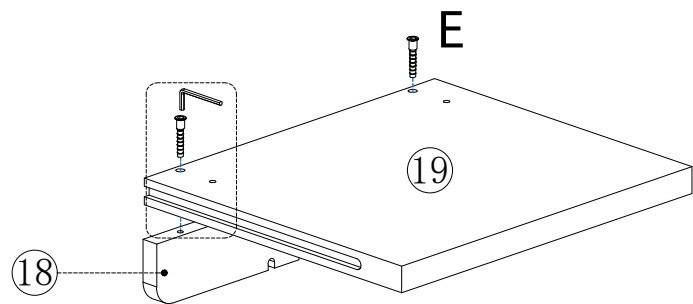
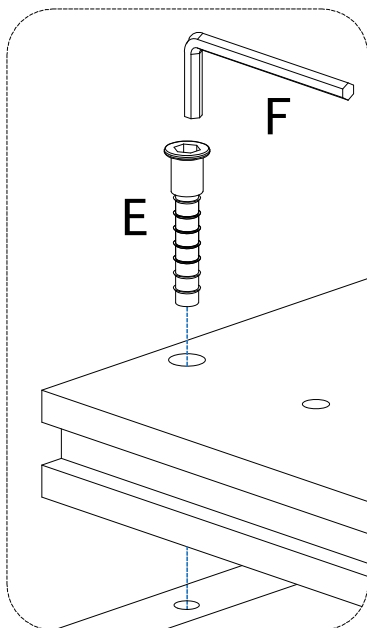
Step 9



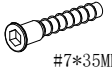
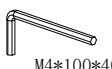
As shown in the figure, use hardware A/I to connect the components assembled in Step 8 to Component 1.

A	 15*9MM	12PCS
I	 M6*128MM	1PC

Step 10

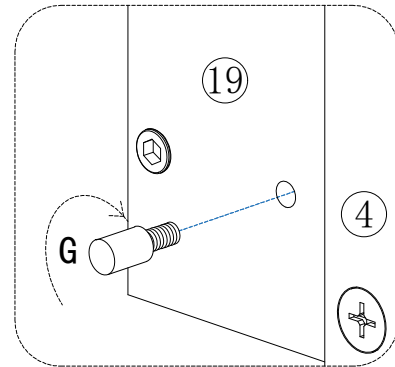
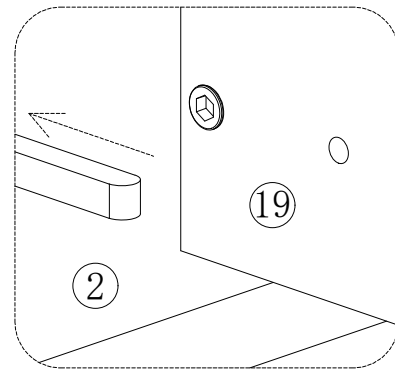
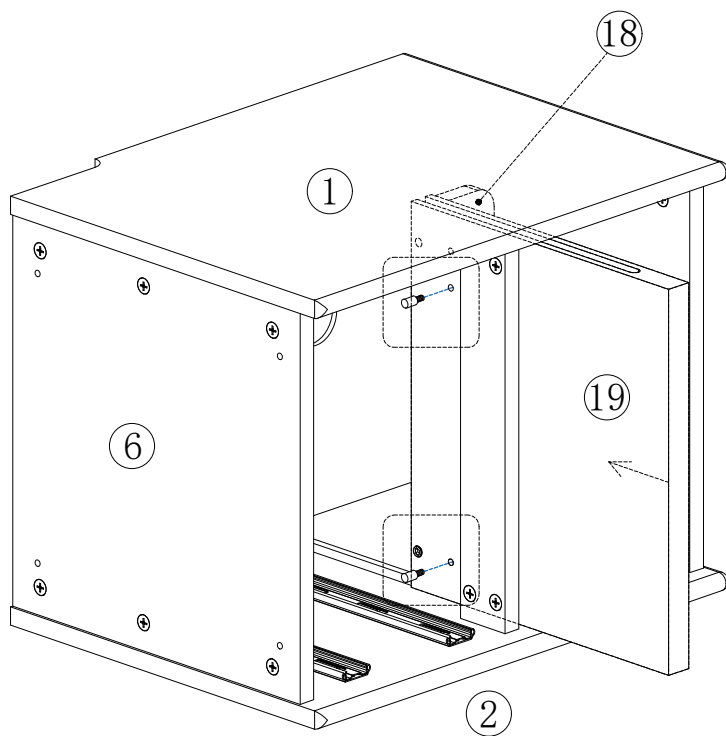


As shown in the figure, connect components 18/19 using hardware E/F.


E	 #7*35MM	2PCS
F	 M4*100*40MM	1PC

Specification Name: Nightstand-40CM

Step 11

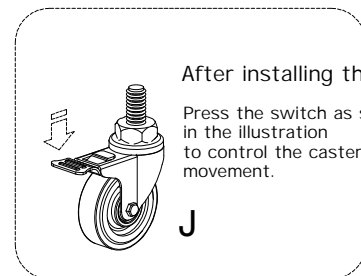
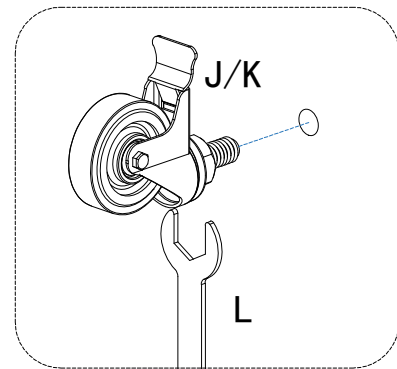
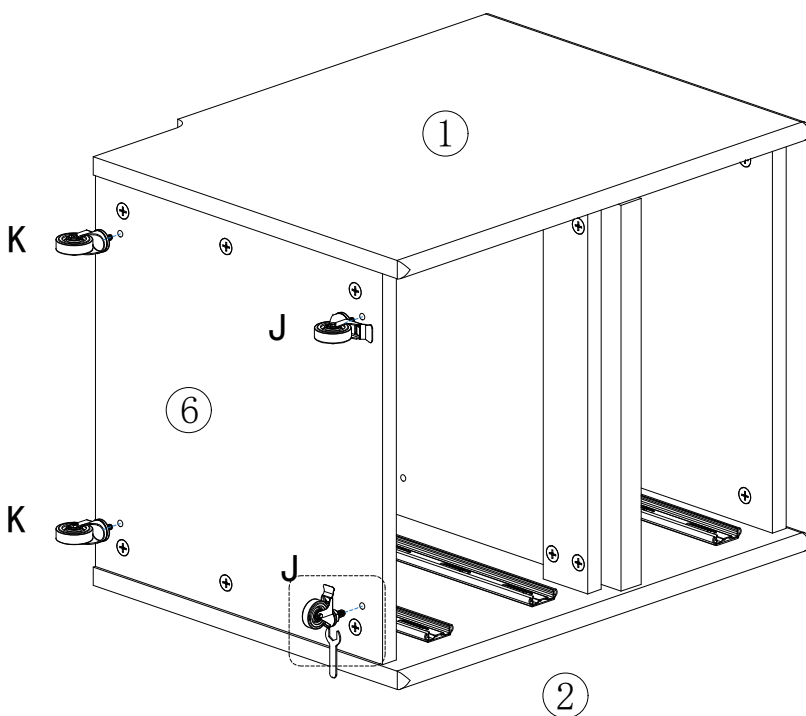


As shown in the figure, insert the assembly from Step 10 along the track of component 1/2 into the assembly from Step 9. Then, tighten hardware G clockwise into the corresponding hole on the back of component 19.

G		2PCS
		M6*12MM




Step 12

Depending on usage, casters may not be installed.



After installing the casters

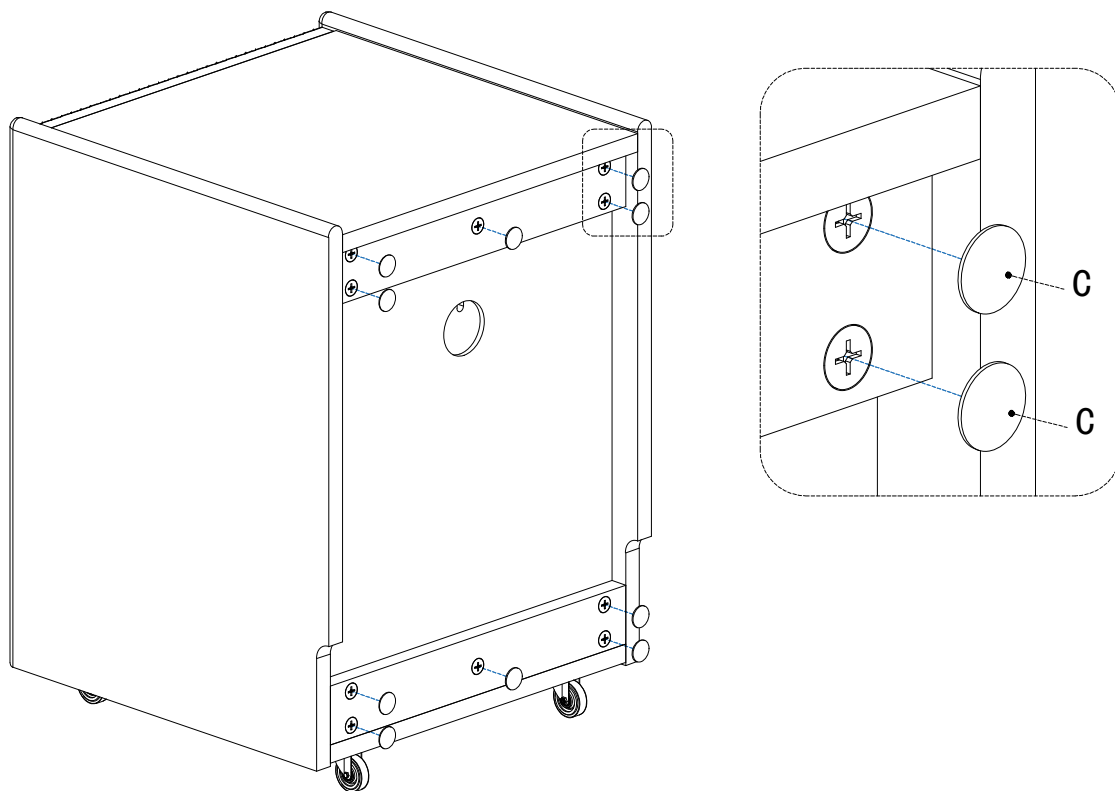
Press the switch as shown in the illustration to control the casters' movement.

J		2PCS
K		2PCS
L		1PC
		#12MM

As shown in the figure, secure hardware J/K to component 6 using hardware L.

Specification Name : Nightstand-40CM

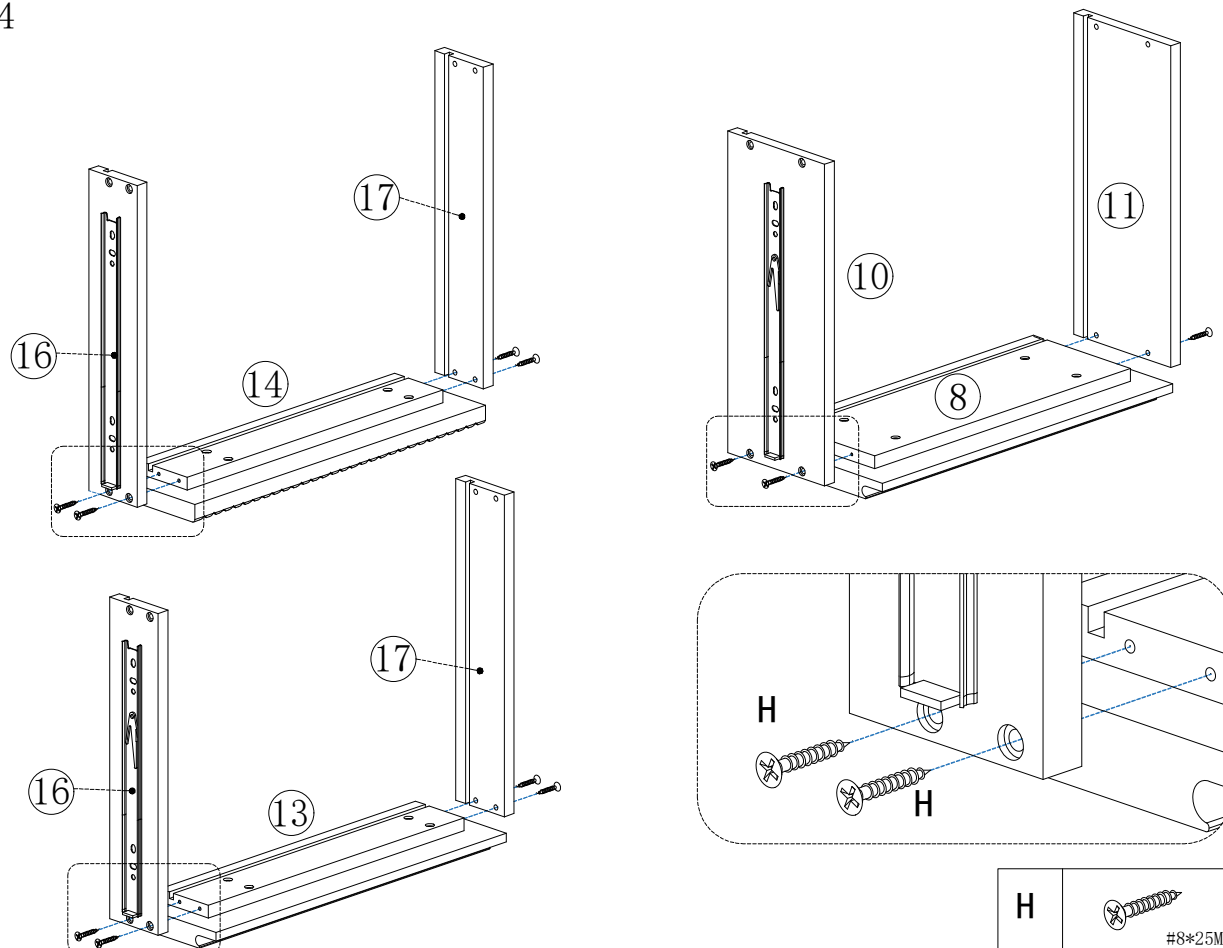
Step 13




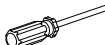
As shown in the figure, use hardware C to cover the holes on the back of the cabinet body.

C		10PCS
	20MM	

Step 14

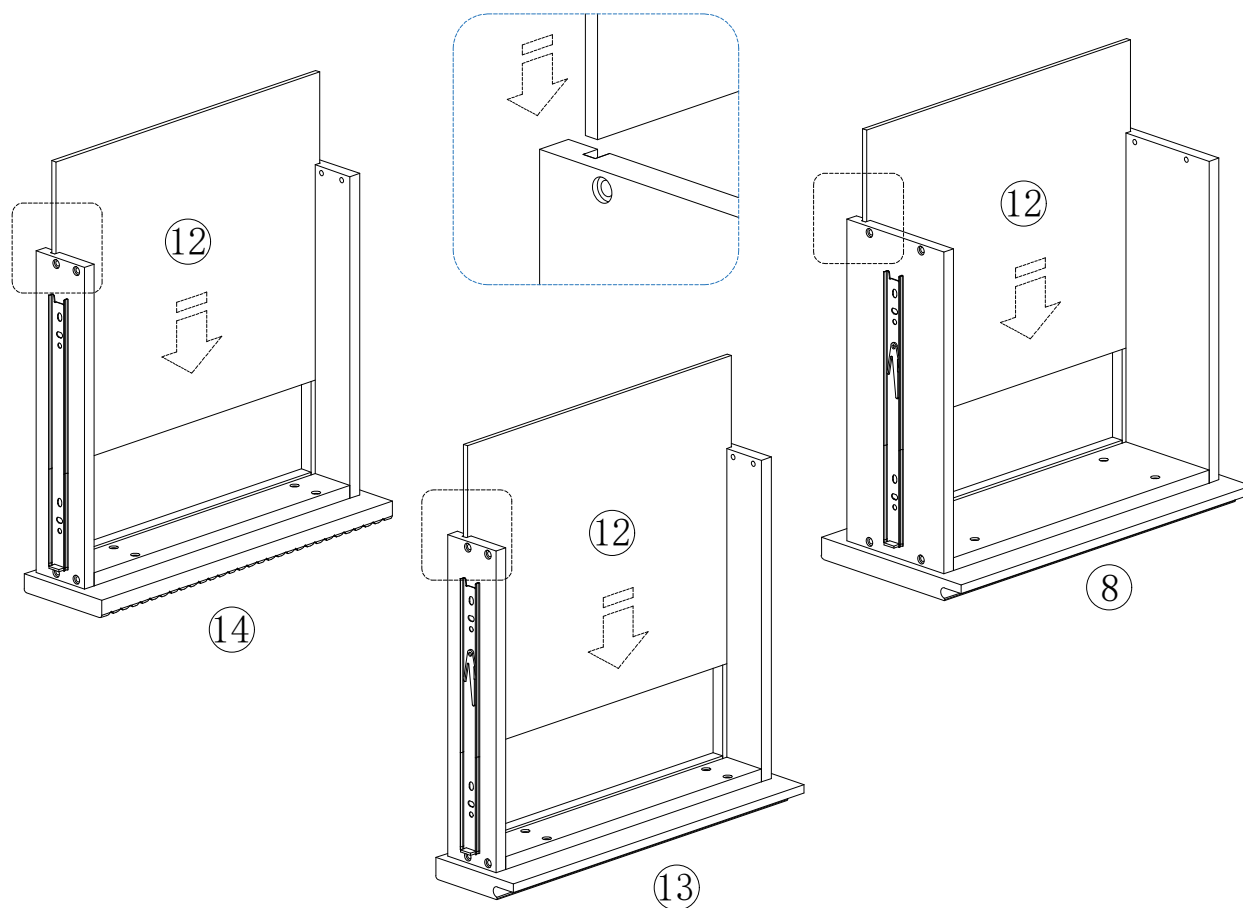


As shown in the figure, connect components 8/10/11, 14/16/17, and 13/16/17 using hardware H/I.

H		12PCS
	#8*25MM	
I		1PC
	M6*128MM	

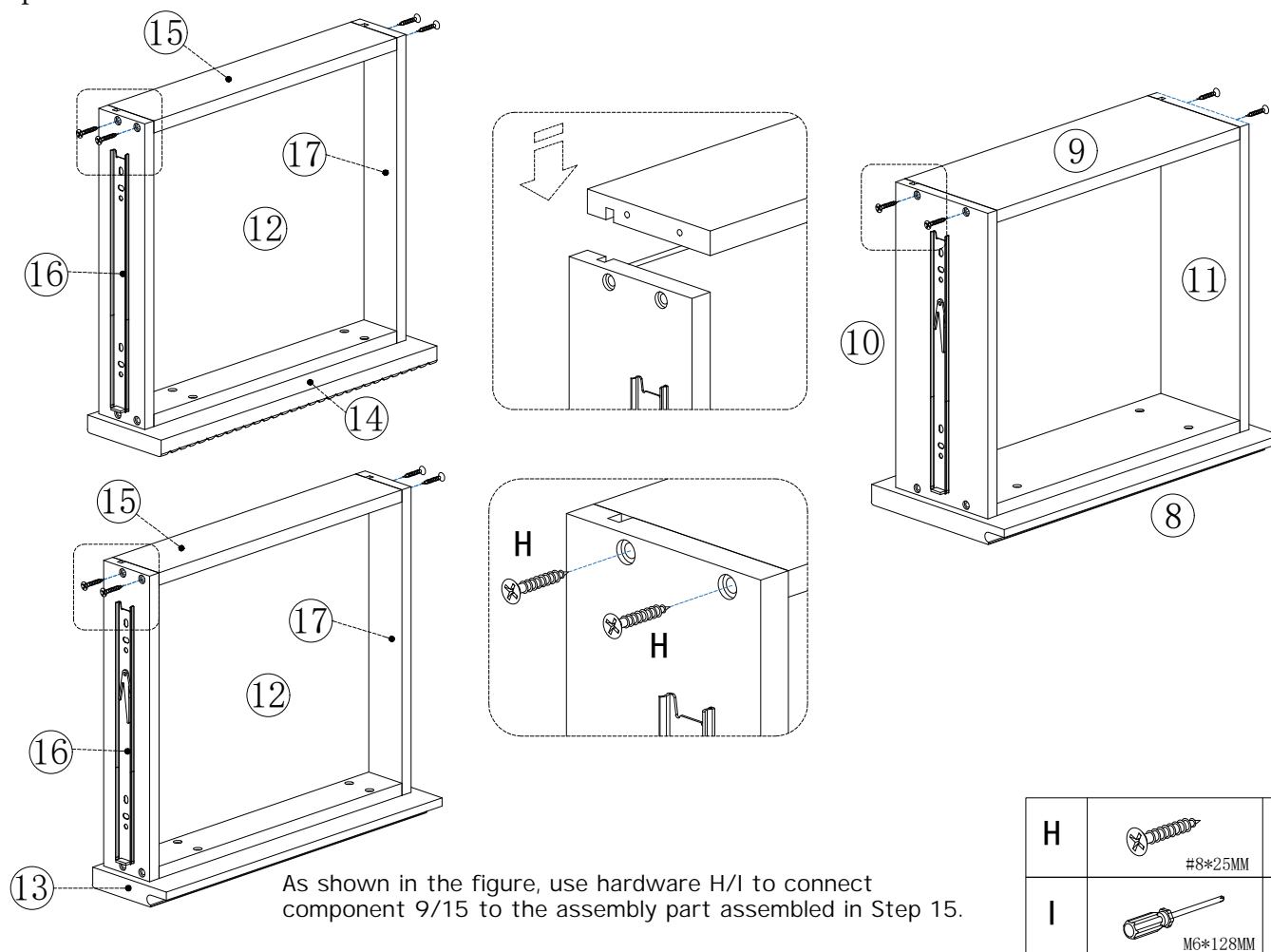
Specification Name : Nightstand-40CM

Step 15


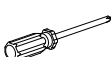


As shown in the figure, insert component 12 into the assembly completed in Step 14.

Step 16

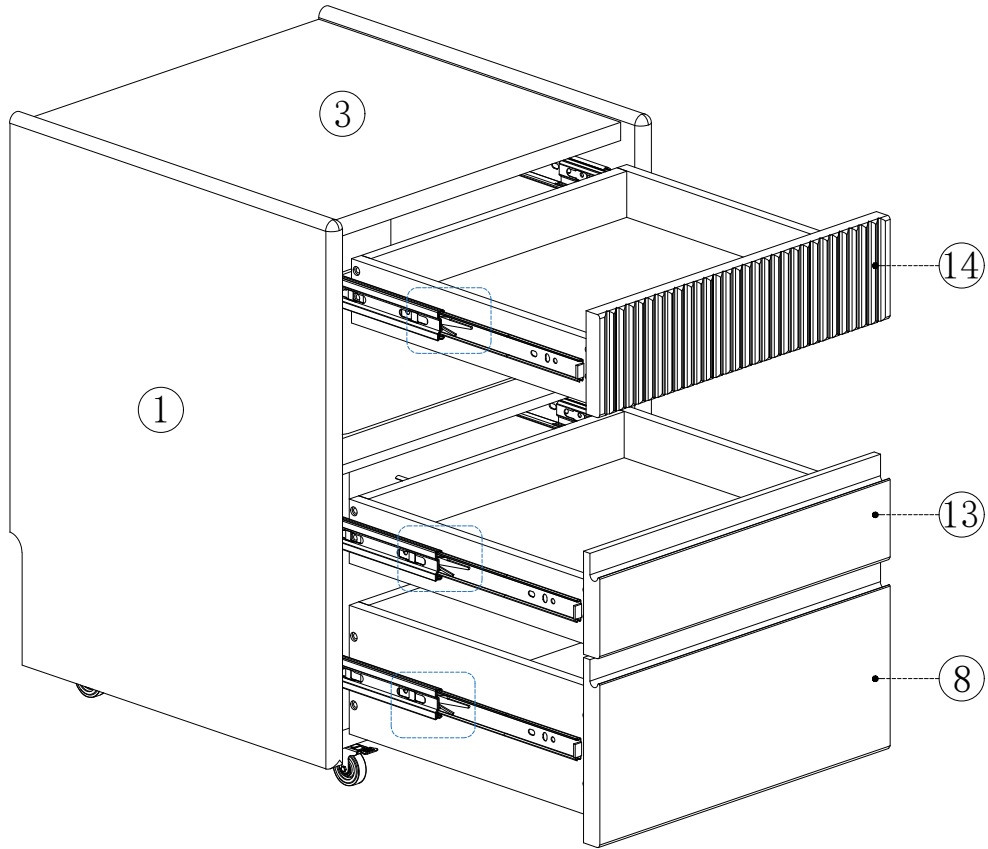


As shown in the figure, use hardware H/I to connect component 9/15 to the assembly part assembled in Step 15.

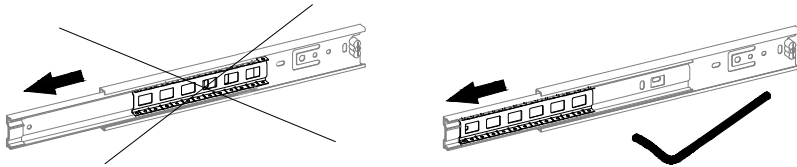
H	 #8*25MM	12PCS
I	 M6*128MM	1PC

Specification Name : Nightstand-40CM

Step 17

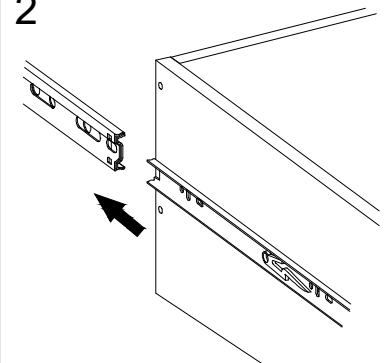


1



NOTE: Pull the inner ball bearing slides on each side all the way out till it stops.(may be slightly greasy).

2



As shown in the diagram, insert the drawers assembled in Step 16 into the cabinet body assembled in Step 13 one by one.

When inserting drawers, first pull out the inner tracks of the main rails. Align the side tracks of the drawers with the inner tracks of the main rails, then push them in gradually in multiple stages.

Step 18 Assembly complete

