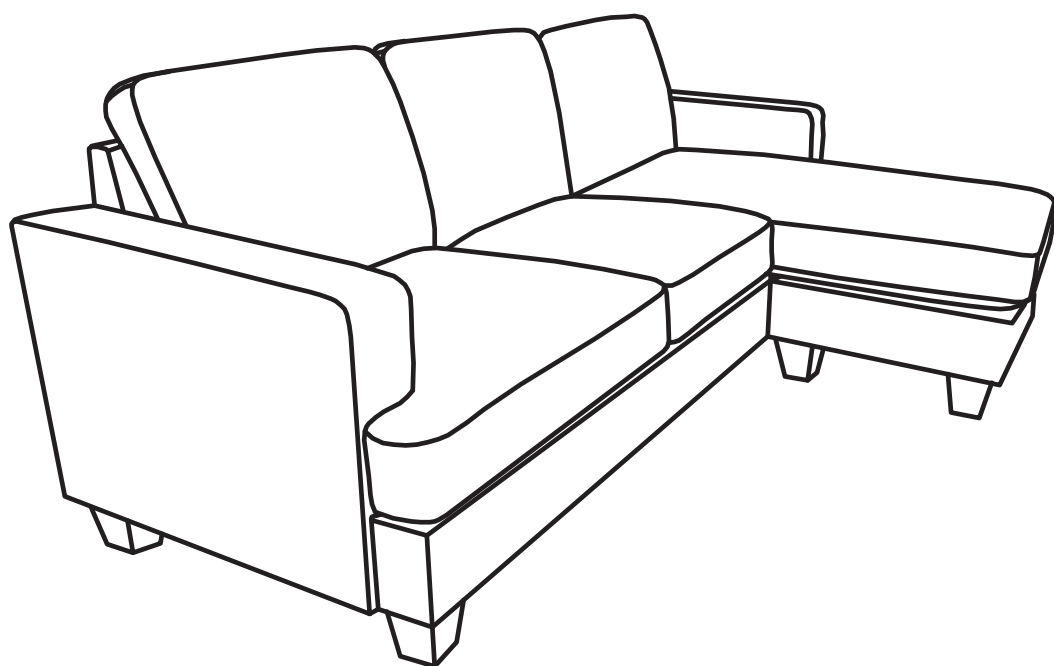
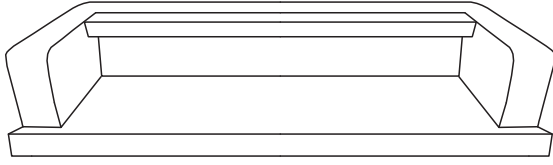


ASSEMBLY INSTRUCTION

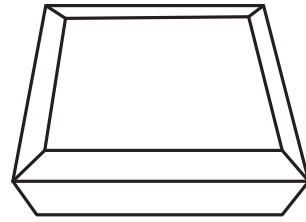
60512
60513
60514



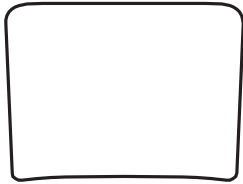
A*1



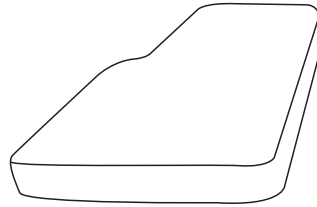
B*1



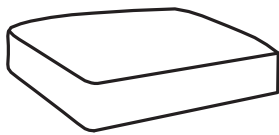
C*3



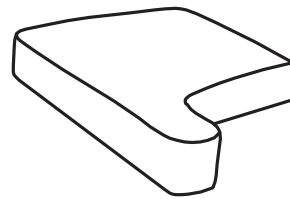
D*1



E*1



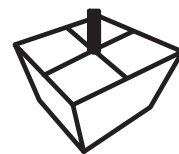
F*1



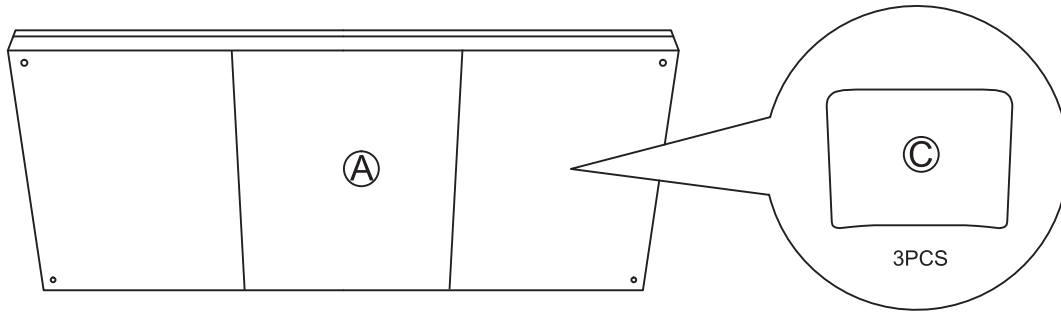
G*8



H*8

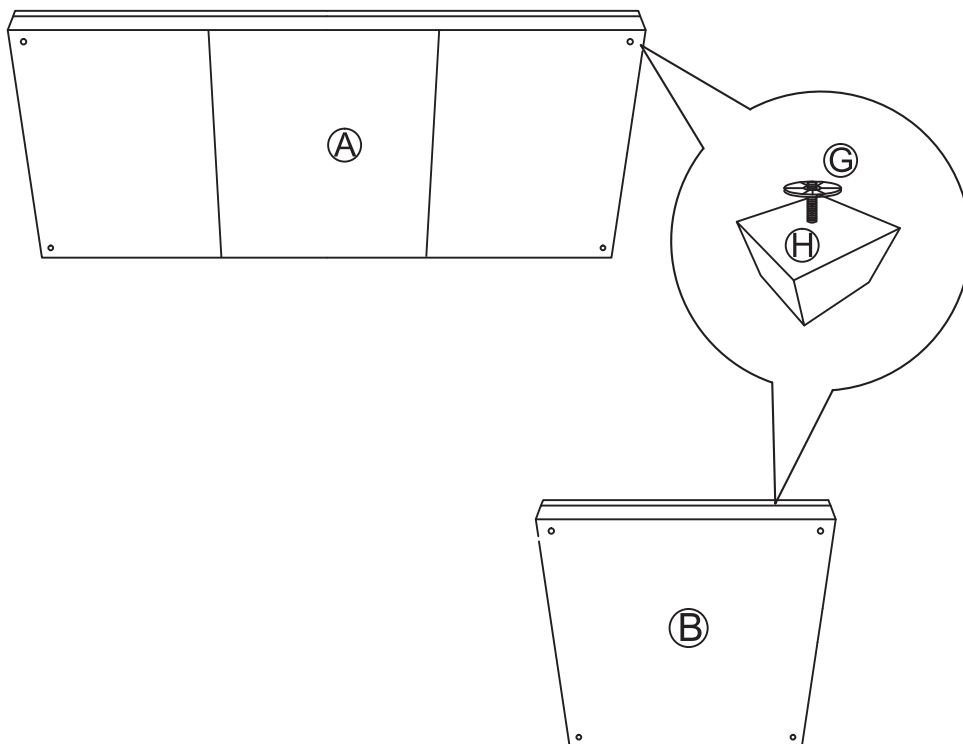


Step 1

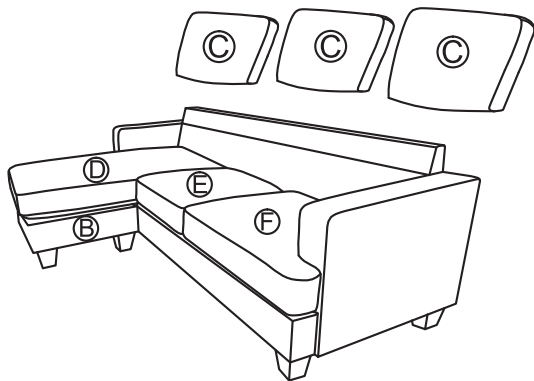


3x Part C cushions are kept inside, please remove for assembly

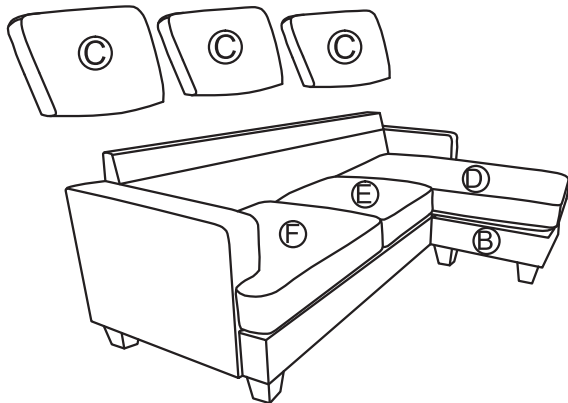
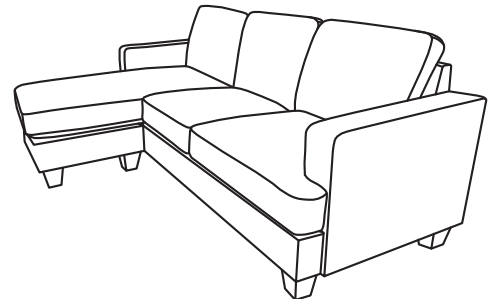
Step 2



Step 3



Right Side



Left Side

