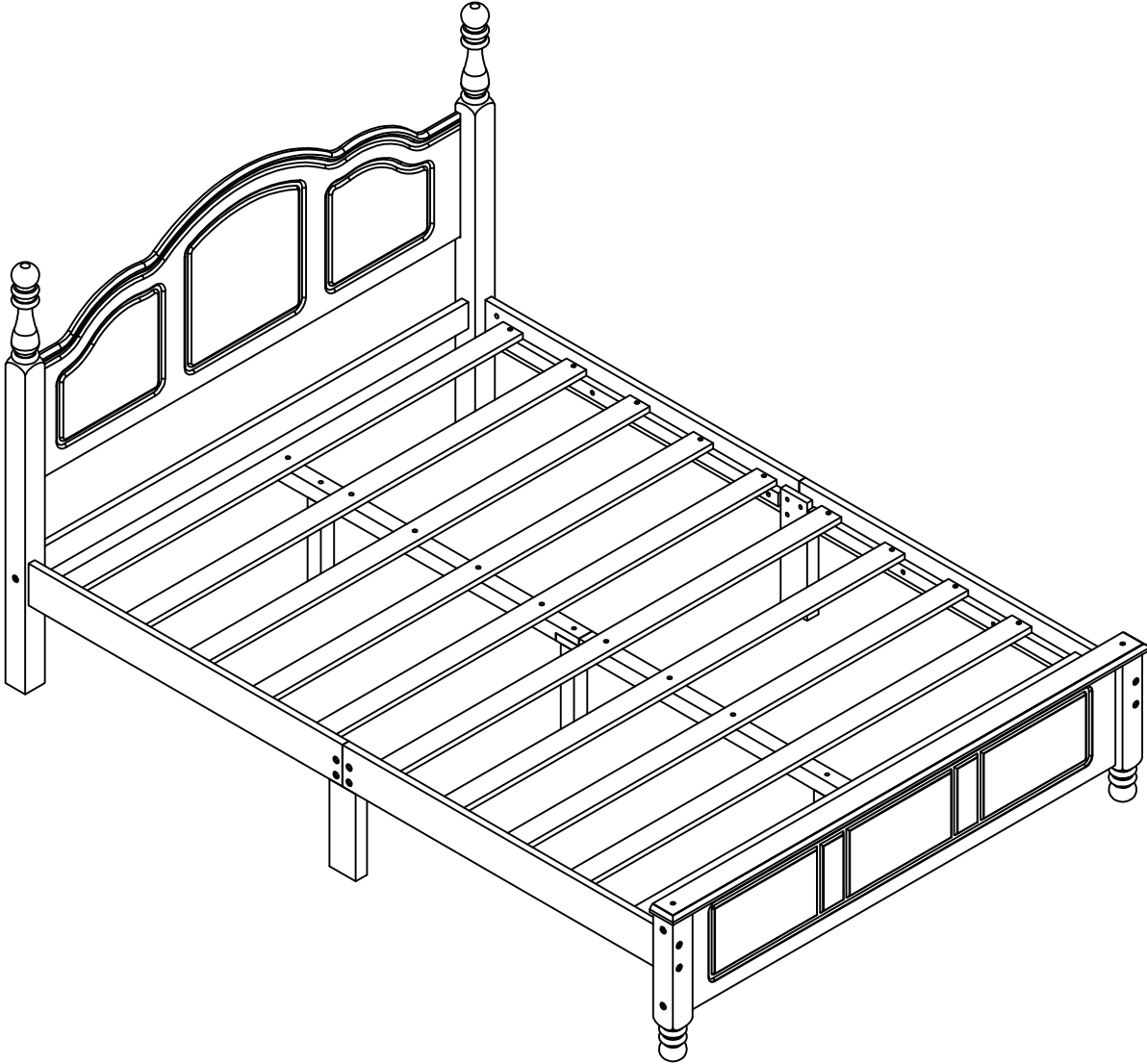
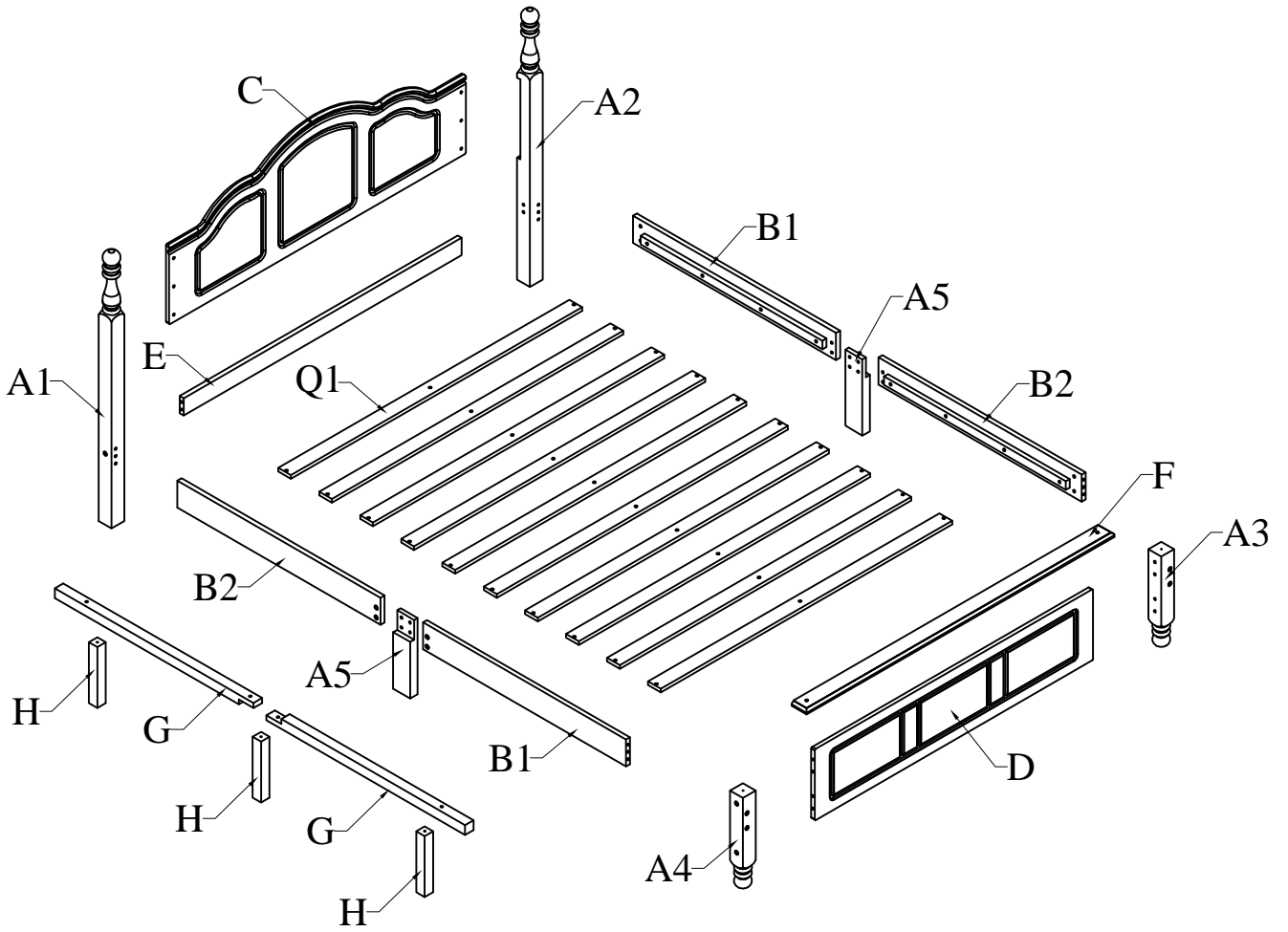


ASSEMBLY INTRUCTIONS



DETAIL VIEW



BOX 1

A1



Front - left (1pc)

A2



Back leg - left (1pc)

A3



Back leg - right (1pc)

A4



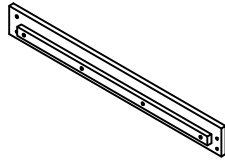
Front leg - right (1pc)

A5



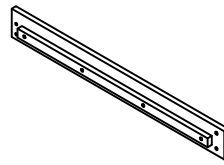
Middle leg (2pcs)

B1



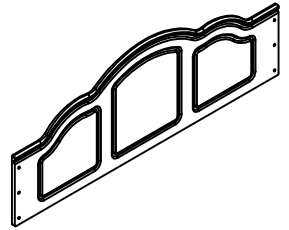
Side rail - left (2pcs)

B2



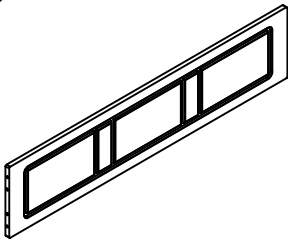
Side rail - right (2pcs)

C



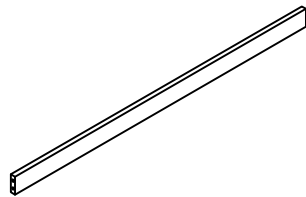
Headboard panel (1pc)

D



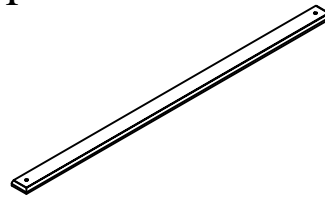
Footboard panel (1pc)

E



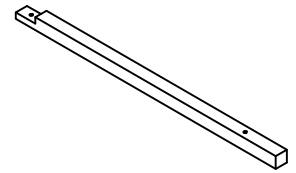
Horizontal rail (1pc)

F



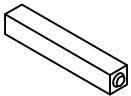
Top back rail (1pc)

G



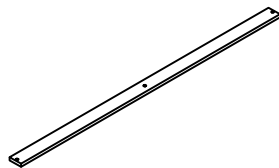
Support slats (2pcs)

H



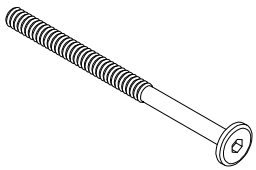
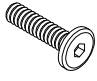
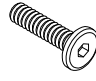
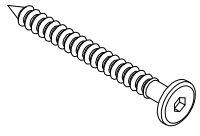

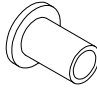

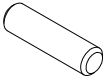
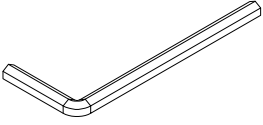
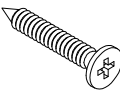
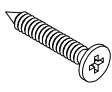
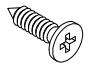
Extra leg (3pcs)

Q1

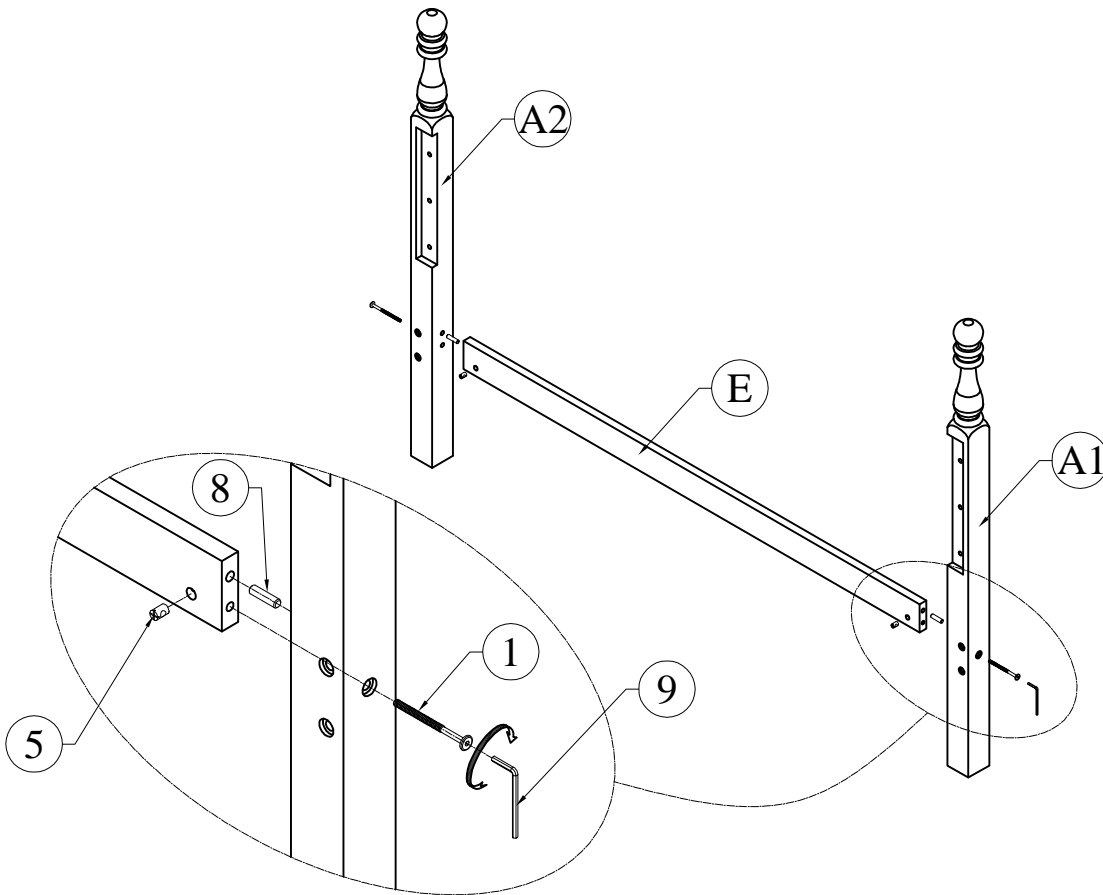


Slats (10pcs)

HARDWARE LIST

<p>1</p>  <p>Hex - Head bolts Ø1/4" * 110- 14pcs</p>	<p>2</p>  <p>Hex - Head bolts Ø1/4" * 35- 6pcs</p>	<p>3</p>  <p>Hex - Head bolts Ø1/4" * 25- 8pcs</p>	<p>4</p>  <p>Hexagonal bolts catch wood Ø6 * 70 - 3pcs</p>
<p>5</p>  <p>Horizontal - Hold bolts Ø1/4" - 14pcs</p>	<p>6</p>  <p>Canopy head though Ø1/4" - 8pcs</p>	<p>7</p>  <p>L - Bracket - 1pc</p>	<p>8</p>  <p>Wood dowel Ø8 * 30 - 8pcs</p>
<p>9</p>  <p>Allen key K4 - 2pcs</p>	<p>10</p>  <p>Wood crews M4 * 40 - 2pcs</p>	<p>11</p>  <p>Wood crews M4 * 30 - 30pcs</p>	<p>12</p>  <p>Wood crews M3.5 * 15 - 2pcs</p>

STEP 1

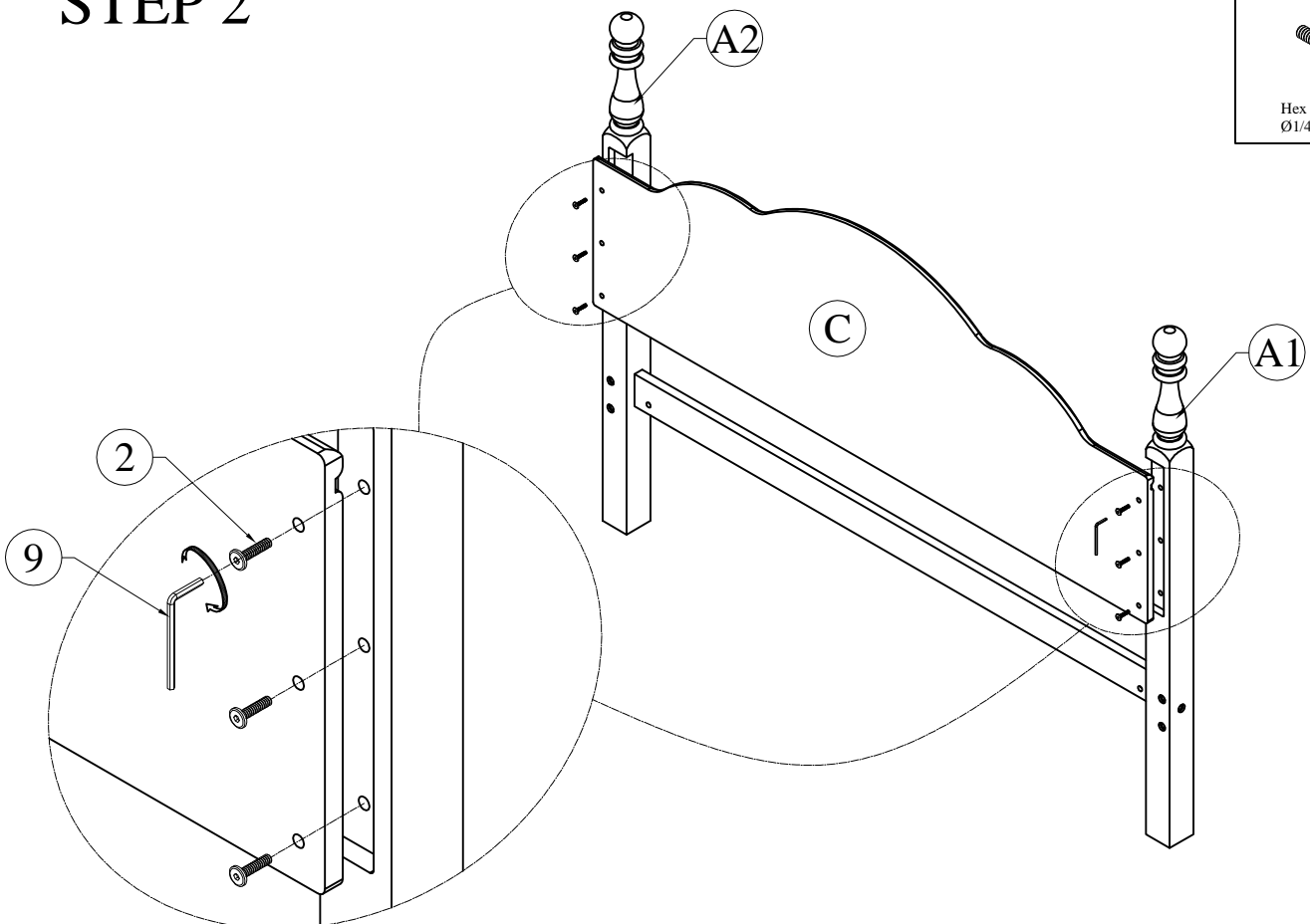


1
Hex - Head bolts
Ø1/4" * 110- 2pcs

5
Horizontal - Hold bolts
Ø1/4" - 2pcs

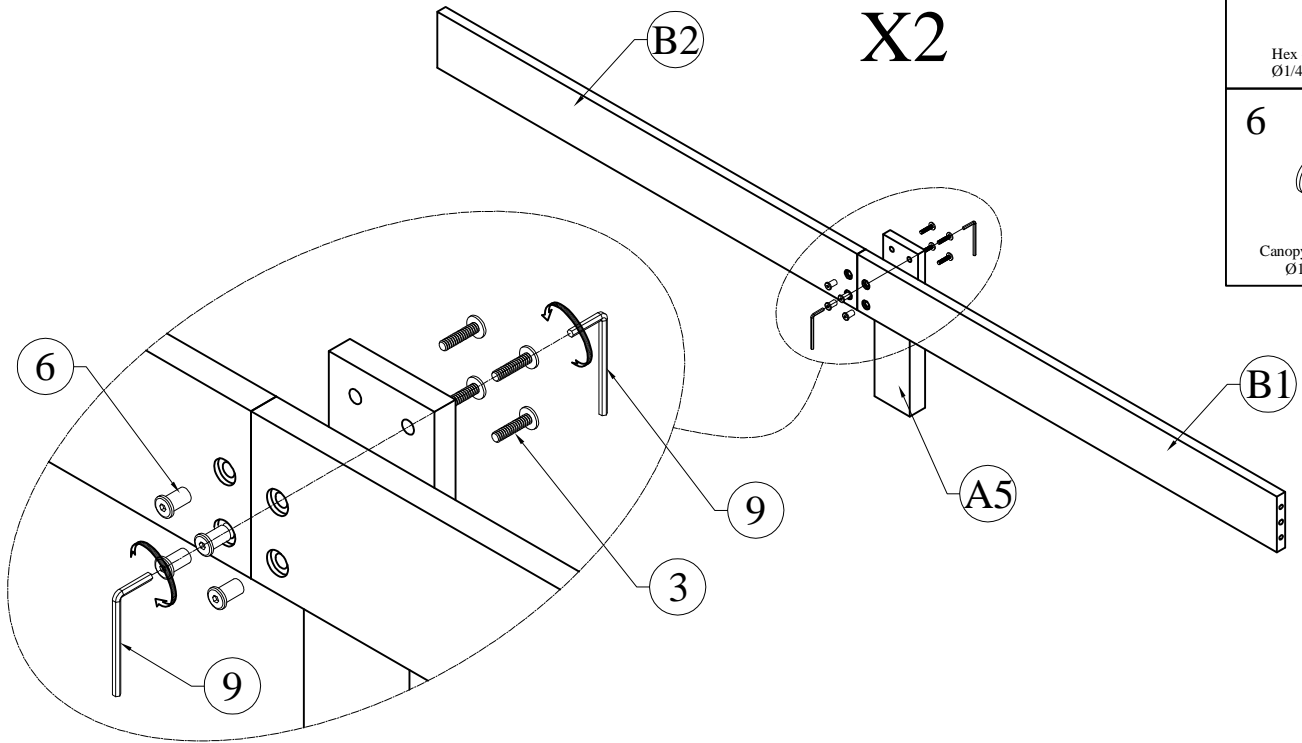
8
Wood dowel
Ø8 * 30 - 2pcs


STEP 2




2
Hex - Head bolts
Ø1/4" * 35- 6pcs

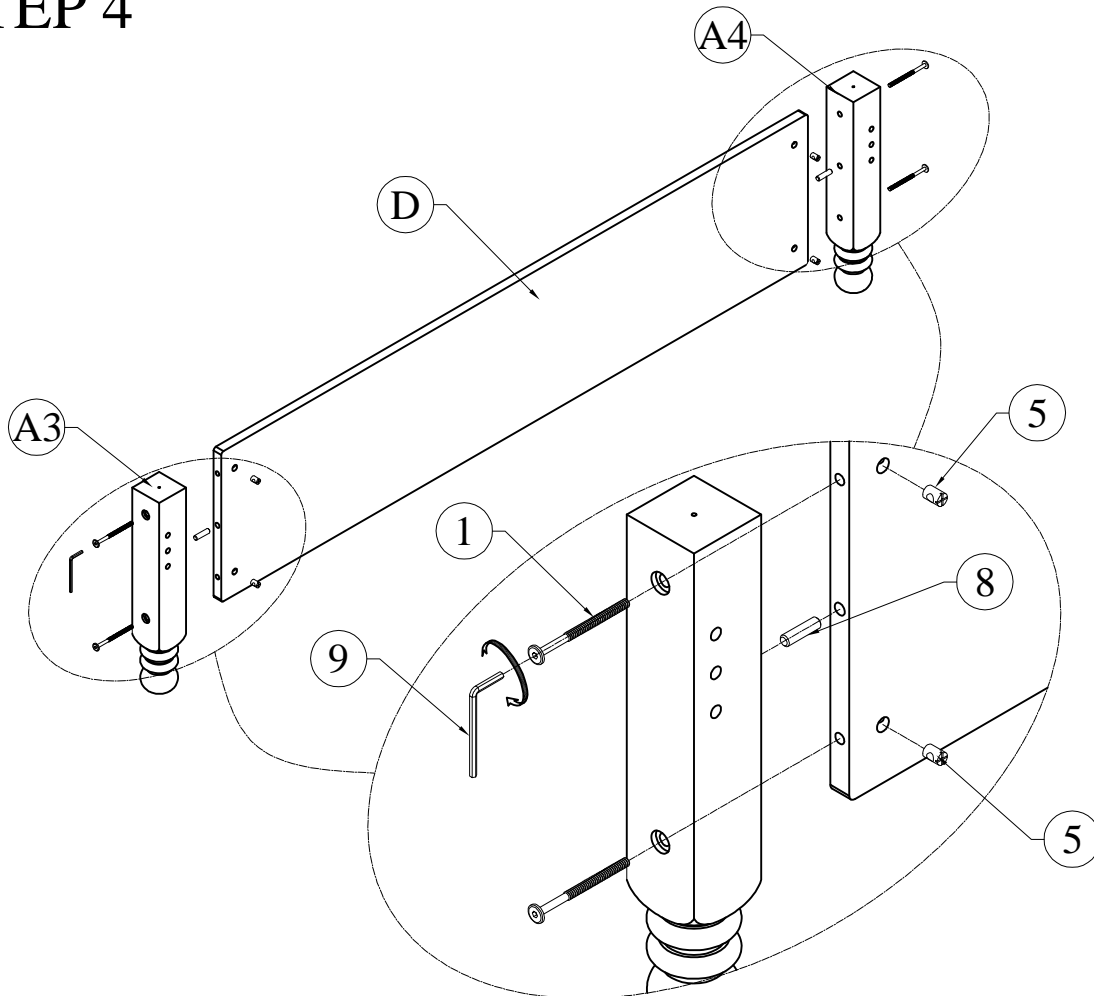
STEP 3





3

 Hex - Head bolts
 Ø1/4" * 25- 8pcs

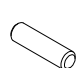
6

 Canopy head through
 Ø1/4" - 8pcs

STEP 4

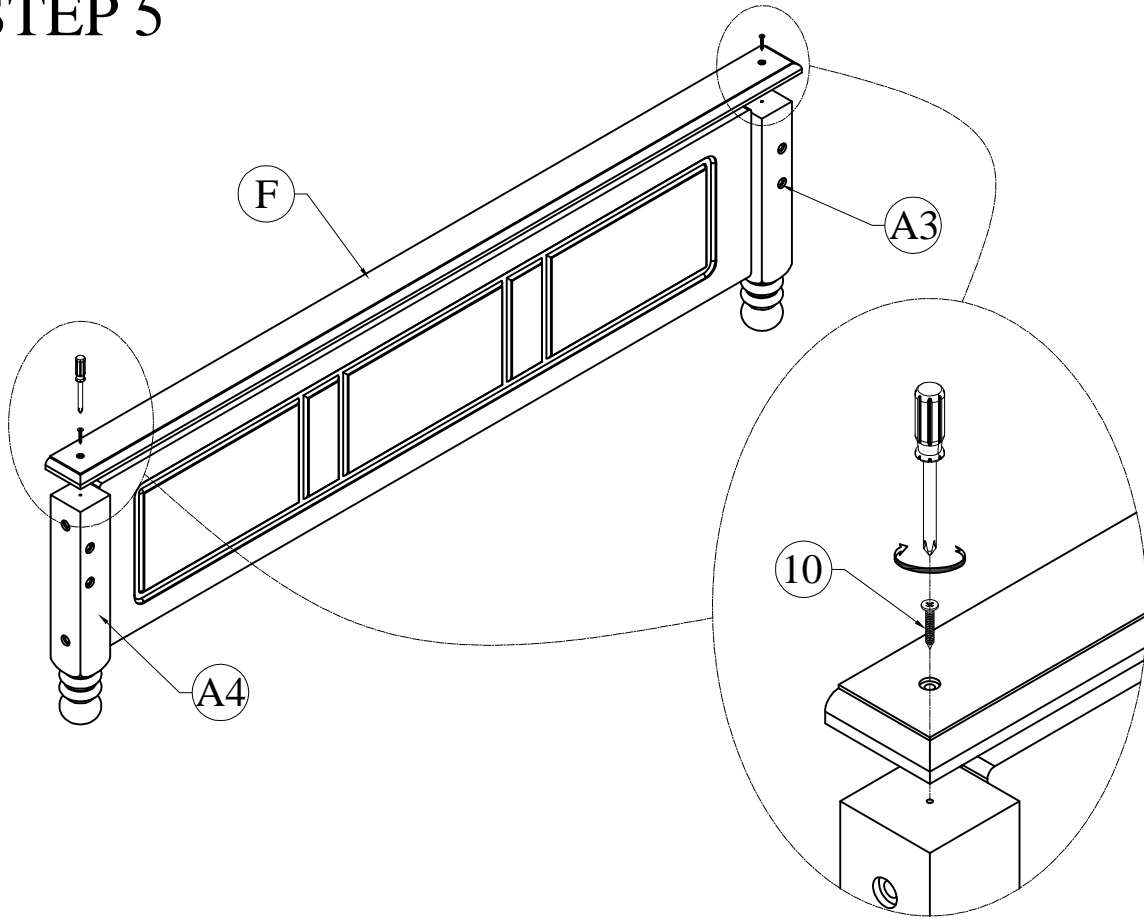


1

 Hex - Head bolts
 Ø1/4" * 110- 4pcs

5

 Horizontal - Hold bolts
 Ø1/4" - 2pcs

8

 Wood dowel
 Ø8 * 30 - 2pcs

STEP 5

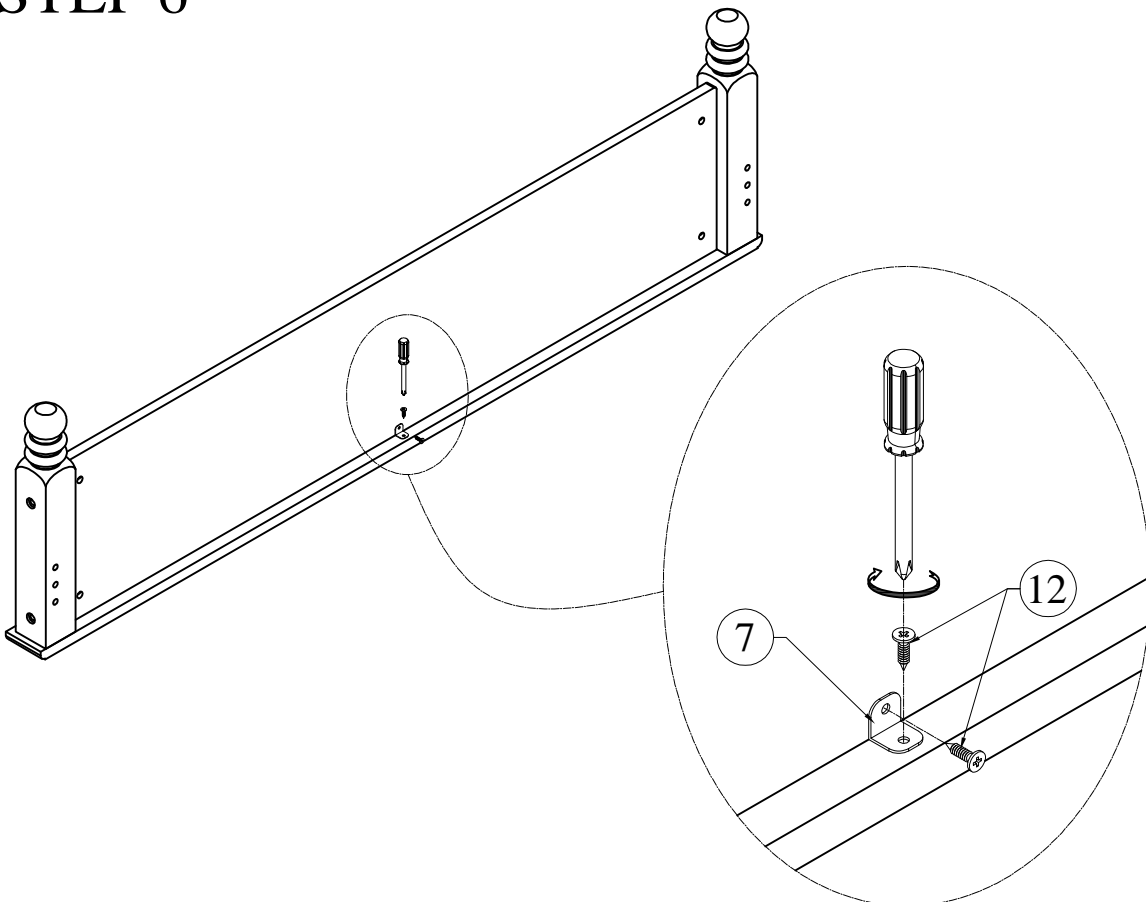


10



Wood crews
M4 * 40 - 2pcs

STEP 6



7



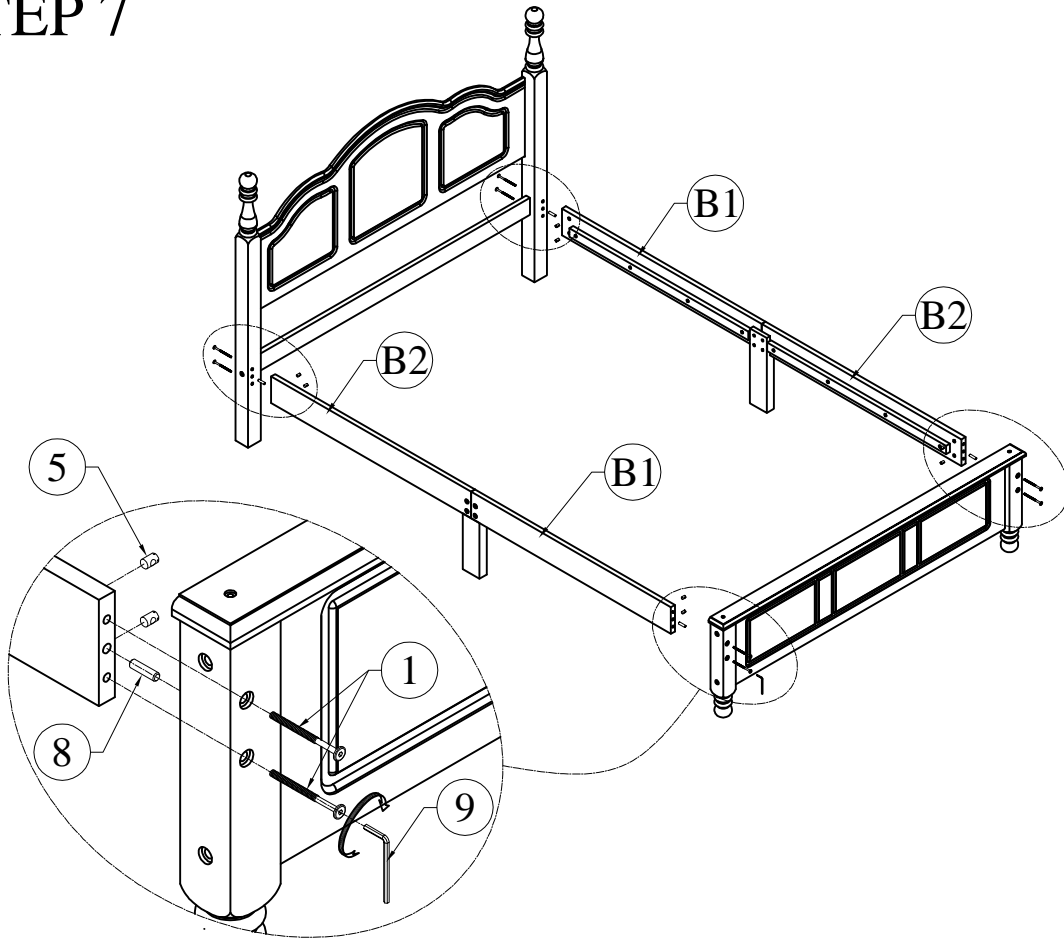
L - Bracket - 1pc

12



Wood crews
M3.5 * 15 - 2pcs

STEP 7

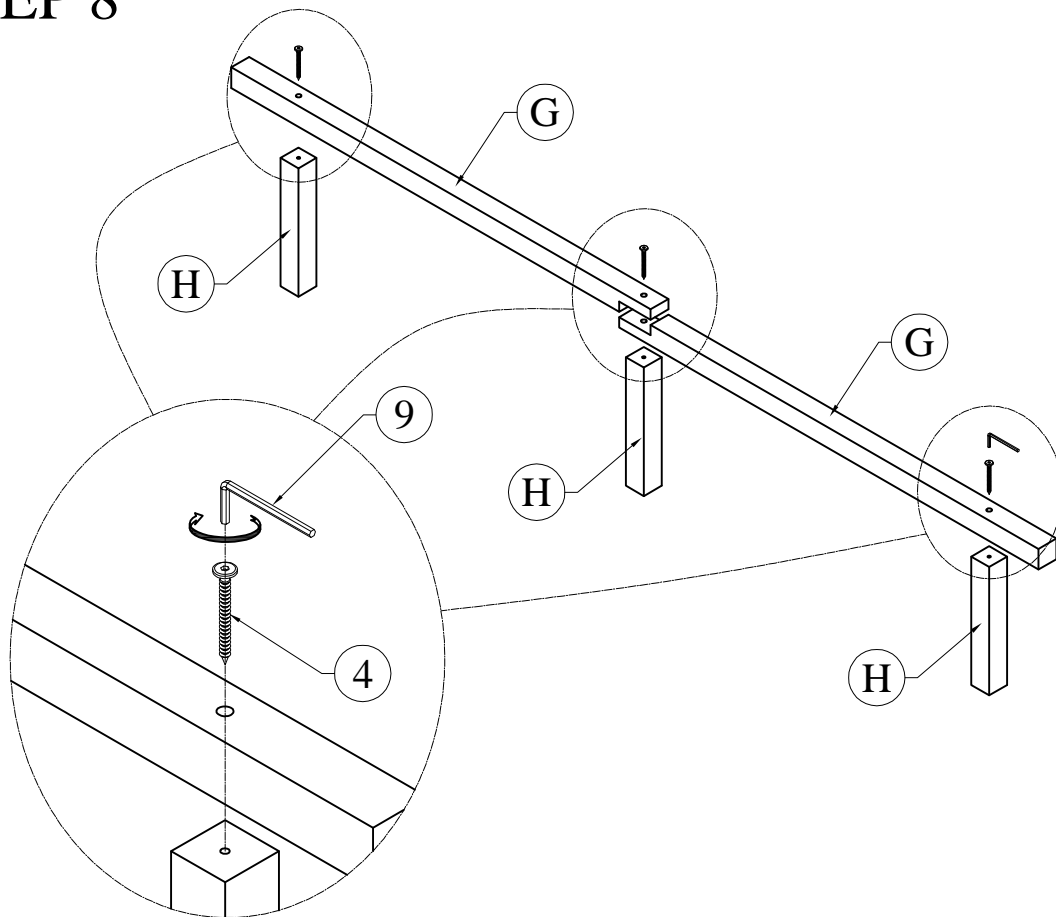


1
Hex - Head bolts
Ø1/4" * 110 - 8pcs

5
Horizontal - Hold bolts
Ø1/4" - 8pcs

8
Wood dowel
Ø8 * 30 - 4pcs

STEP 8



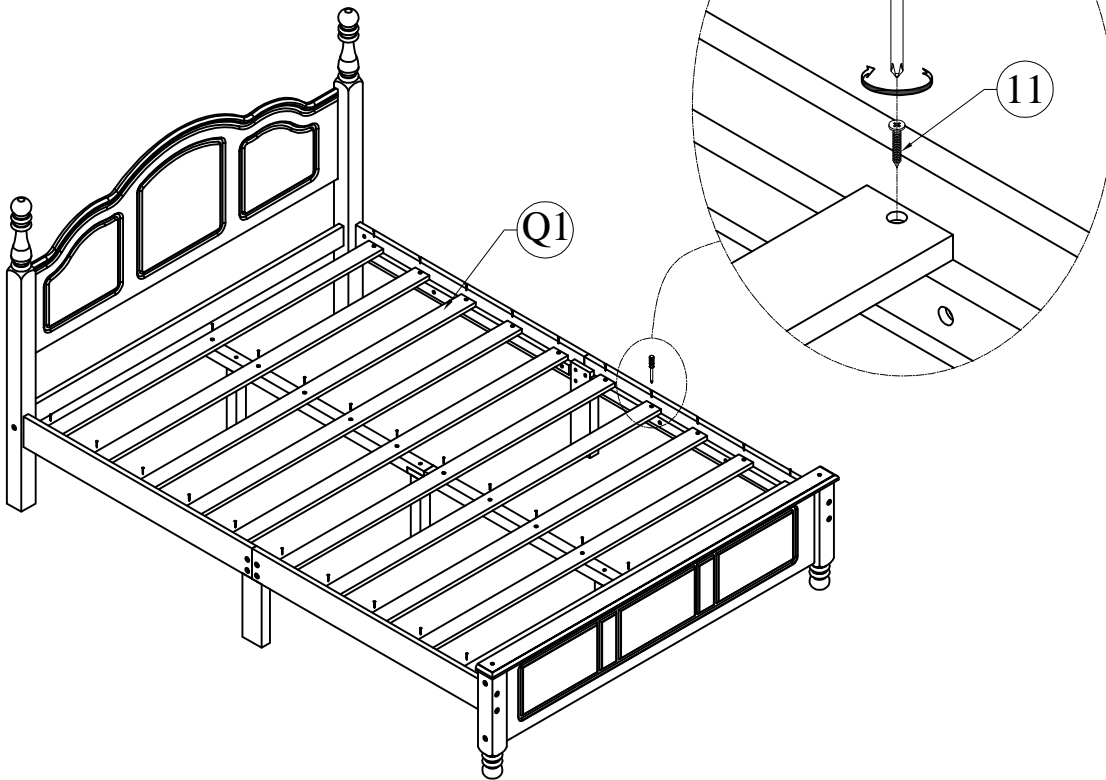
4
Hexagonal bolts catch wood
Ø6 * 70 - 3pcs

STEP 9

11



Wood screws
M4 x 11 - 30pcs



COMPLETED

