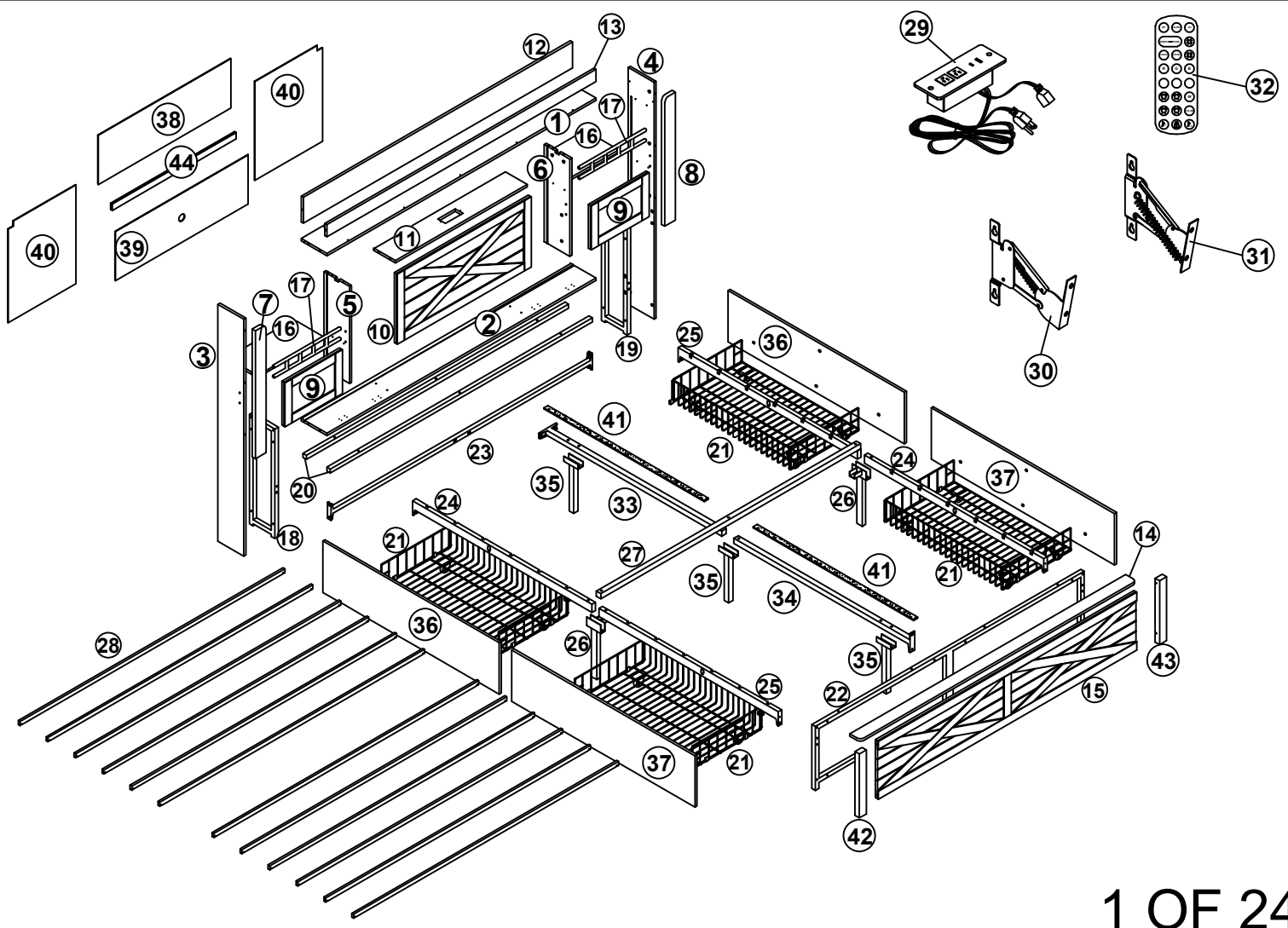
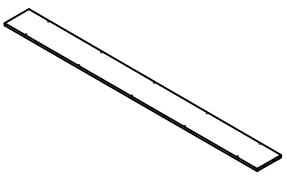
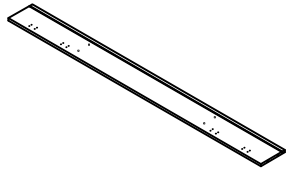


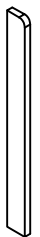

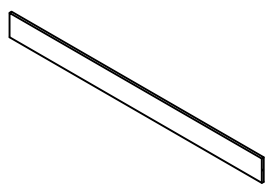
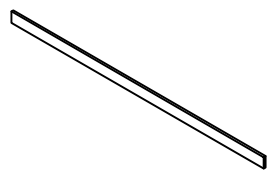
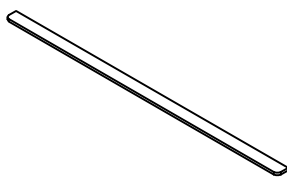
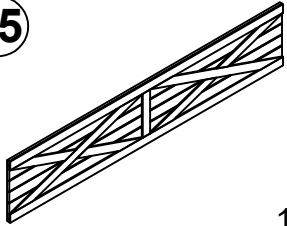
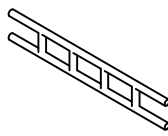
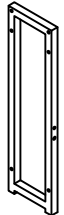
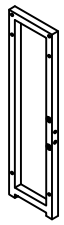
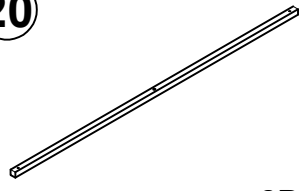
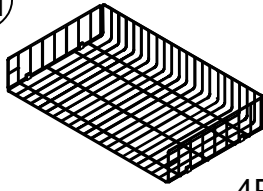
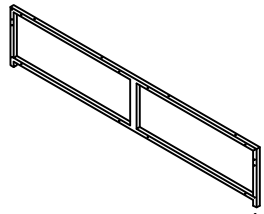
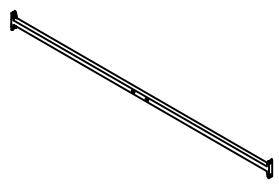
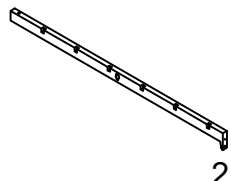
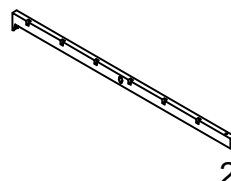
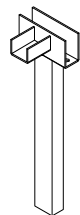
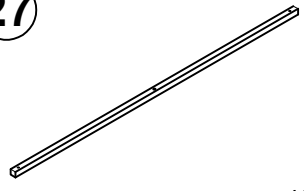
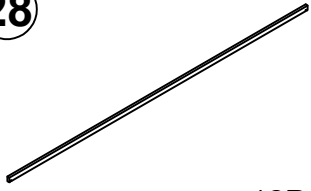
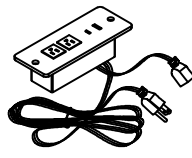
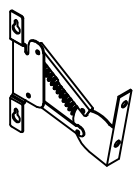
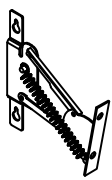
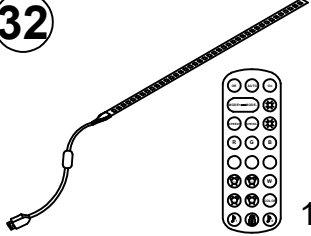
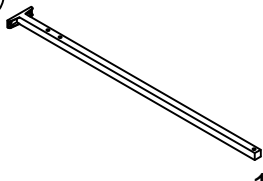
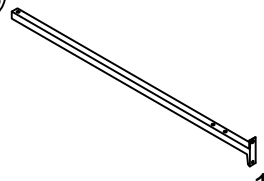
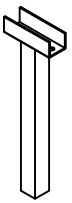
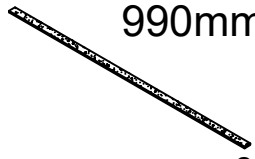


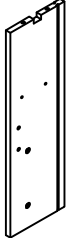

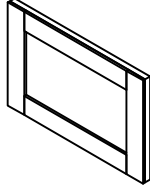
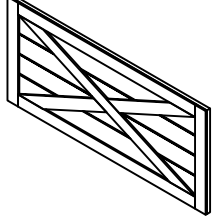
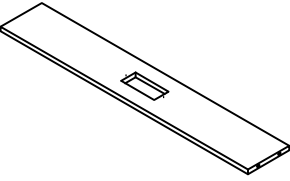
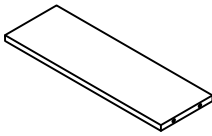
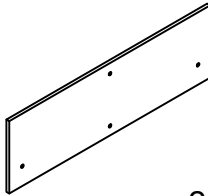
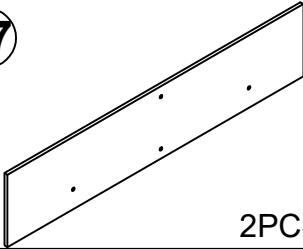
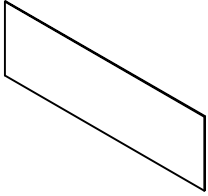
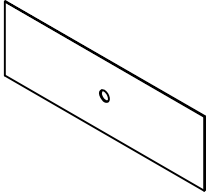
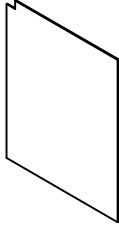


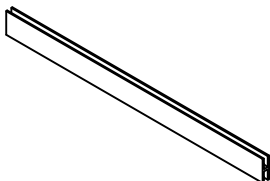
Note:  
 Should be assembled on flat ground to keep balance.  
 It needs at least two people to install.  
 Before starting the assembly, you must read the whole manual and follow the instructions.




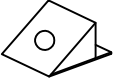

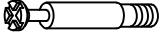

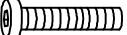
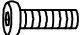
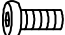

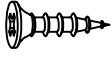
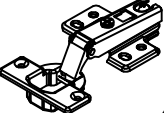
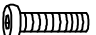




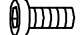
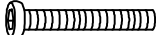

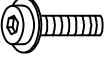
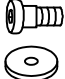
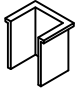

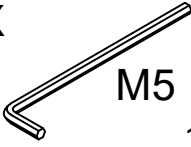



# Part list for A box

<p><b>1</b></p>  <p>1PC</p>	<p><b>2</b></p>  <p>1PC</p>	<p><b>3</b></p>  <p>1PC</p>	<p><b>4</b></p>  <p>1PC</p>
<p><b>7</b></p>  <p>1PC</p>	<p><b>8</b></p>  <p>1PC</p>	<p><b>12</b></p>  <p>1PC</p>	<p><b>13</b></p>  <p>1PC</p>
<p><b>14</b></p>  <p>1PC</p>	<p><b>15</b></p>  <p>1PC</p>	<p><b>17</b></p>  <p>2PCS</p>	<p><b>18</b></p>  <p>1PC</p>
<p><b>19</b></p>  <p>1PC</p>	<p><b>20</b></p>  <p>2PCS</p>	<p><b>21</b></p>  <p>4PCS</p>	<p><b>22</b></p>  <p>1PC</p>
<p><b>23</b></p>  <p>1PC</p>	<p><b>24</b></p>  <p>2PCS</p>	<p><b>25</b></p>  <p>2PCS</p>	<p><b>26</b></p>  <p>2PCS</p>
<p><b>27</b></p>  <p>1PC</p>	<p><b>28</b></p>  <p>12PCS</p>	<p><b>29</b></p>  <p>1PC</p>	<p><b>30</b></p>  <p>1PC</p>
<p><b>31</b></p>  <p>1PC</p>	<p><b>32</b></p>  <p>1PC</p>	<p><b>33</b></p>  <p>1PC</p>	<p><b>34</b></p>  <p>1PC</p>
<p><b>35</b></p>  <p>3PCS</p>	<p><b>41</b></p> <p>990mm</p>  <p>2PCS</p>		



# Part list for B box

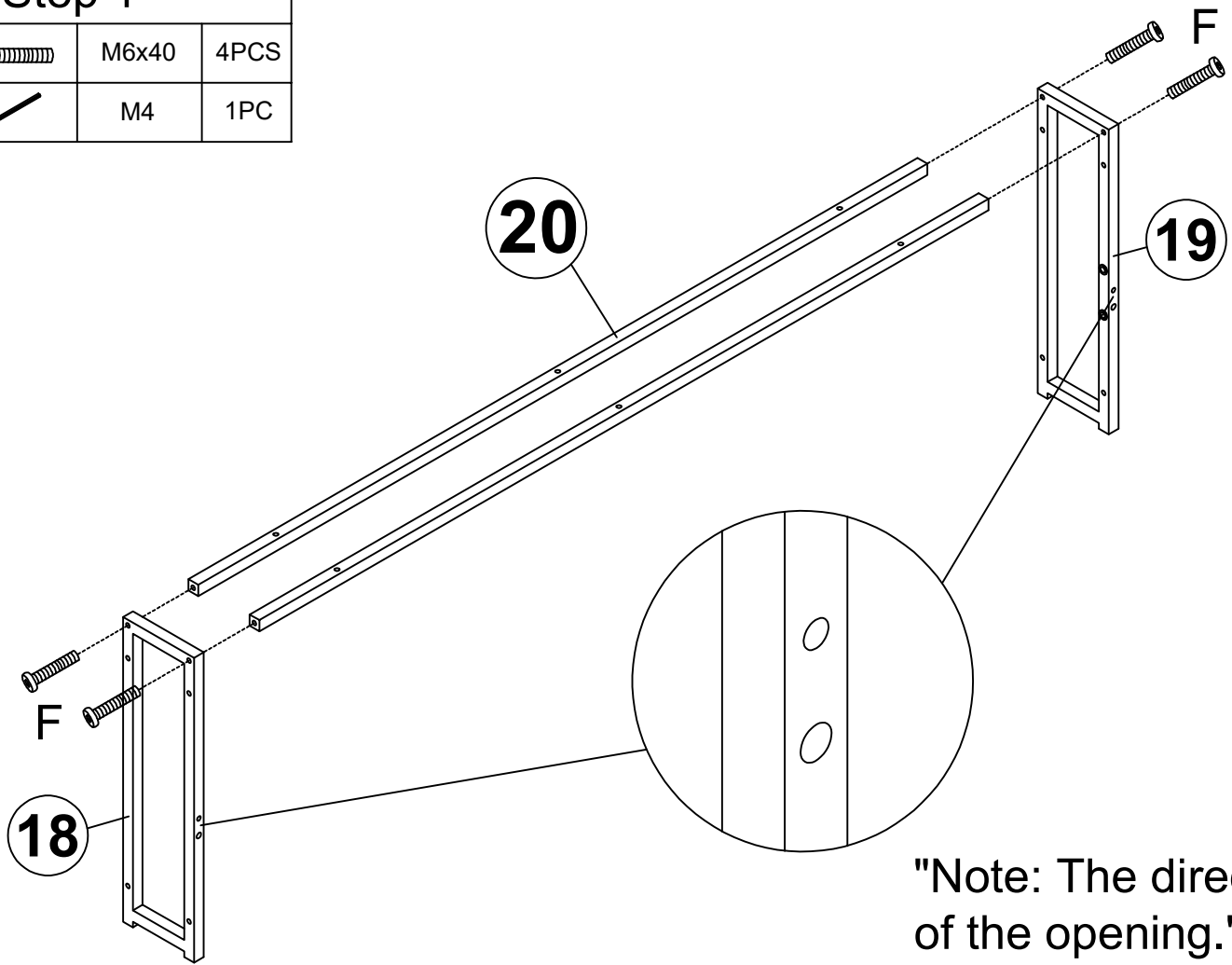
<p><b>5</b></p>  <p>1PC</p>	<p><b>6</b></p>  <p>1PC</p>	<p><b>9</b></p>  <p>2PCS</p>	<p><b>10</b></p>  <p>1PC</p>
<p><b>11</b></p>  <p>1PC</p>	<p><b>16</b></p>  <p>2PCS</p>	<p><b>36</b></p>  <p>2PCS</p>	<p><b>37</b></p>  <p>2PCS</p>
<p><b>38</b></p>  <p>1PC</p>	<p><b>39</b></p>  <p>1PC</p>	<p><b>40</b></p>  <p>2PCS</p>	<p><b>42</b></p>  <p>1PC</p>
<p><b>43</b></p>  <p>1PC</p>	<p><b>44</b></p>  <p></p>		

# Hardware list for A box

<p>A Ø6*30</p>  <p>4PCS</p>	<p>B</p>  <p>16+1PCS</p>	<p>C M5x40</p>  <p>14+1PCS</p>	<p>D</p>  <p>34+3PCS</p>	<p>E</p>  <p>34+3PCS</p>
<p>F M6x40</p>  <p>8PCS</p>	<p>G M6x28</p>  <p>30+3PCS</p>	<p>H M6x18</p>  <p>4PCS</p>	<p>I</p>  <p>3+1PCS</p>	<p>J M3.5x12</p>  <p>49+4PCS</p>
<p>K</p>  <p>4PCS</p>	<p>L M6x32</p>  <p>8PCS</p>	<p>M M6x10</p>  <p>20+2PCS</p>	<p>N</p>  <p>16PCS</p>	<p>O</p>  <p>8PCS</p>
<p>P</p>  <p>12PCS</p>	<p>Q M8x16</p>  <p>8PCS</p>	<p>R M8x55</p>  <p>5PCS</p>	<p>S M6x20</p>  <p>4PCS</p>	<p>T M8x35</p>  <p>8PCS</p>
<p>U</p>  <p>4PCS</p>	<p>V</p>  <p>24+3PCS</p>	<p>W M4</p>  <p>1PC</p>	<p>X M5</p>  <p>1PC</p>	<p>Y M4</p>  <p>1PC</p>
<p>Z</p>  <p>2+1PCS</p>	<p>AA</p>  <p>2PCS</p>			



### Step 1

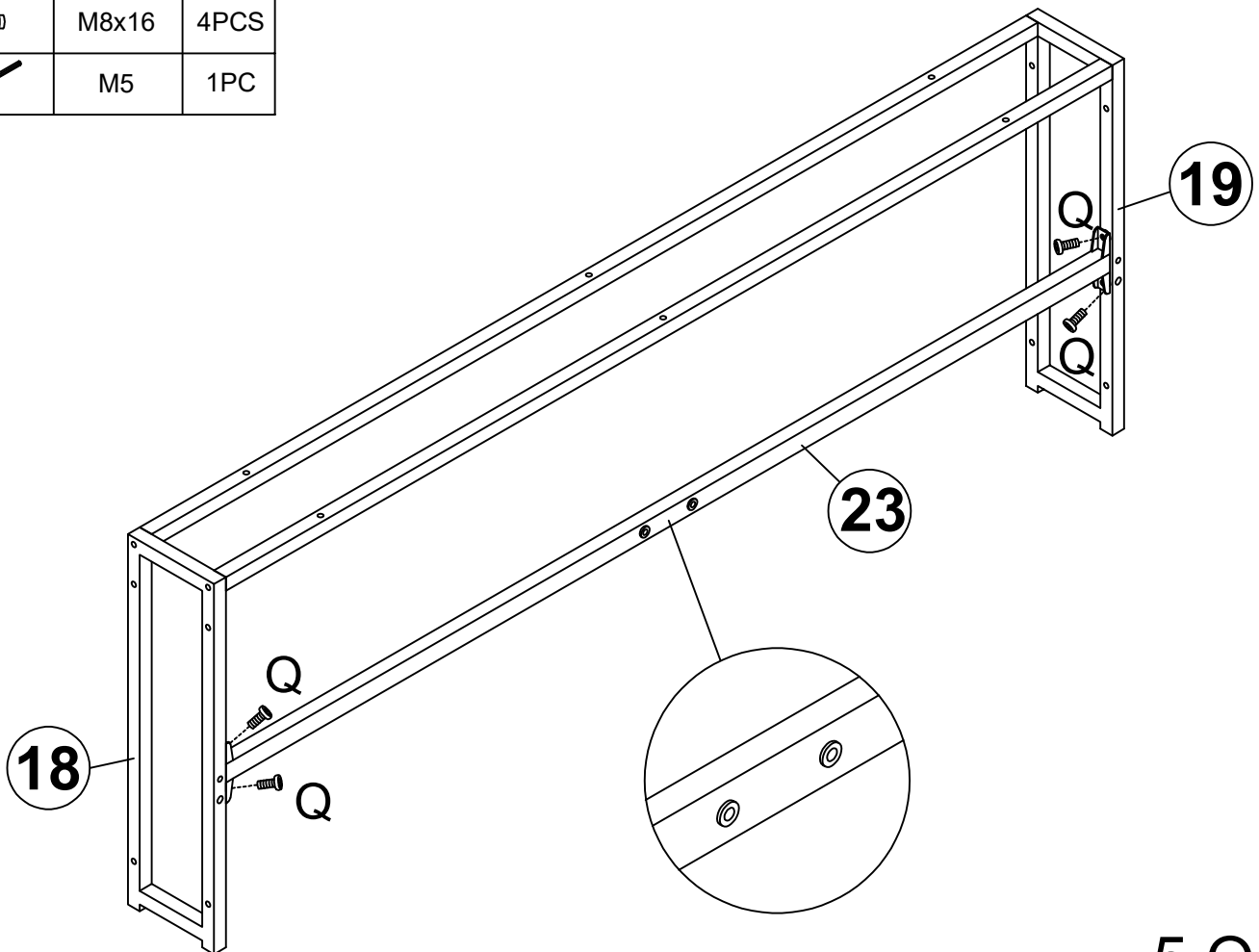
F		M6x40	4PCS
W		M4	1PC



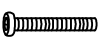

"Note: The direction of the opening."

### Step 2

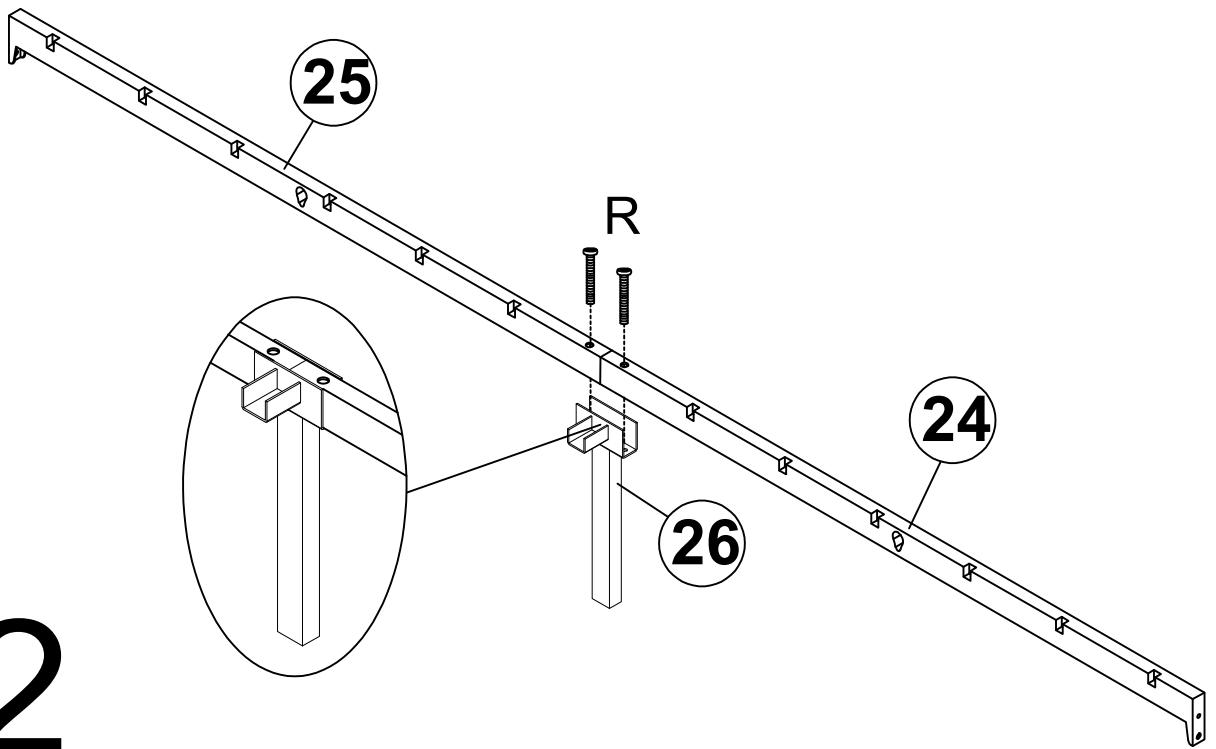
Q		M8x16	4PCS
X		M5	1PC



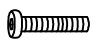




### Step 3

R		M8x55	4PCS
X		M5	1PC

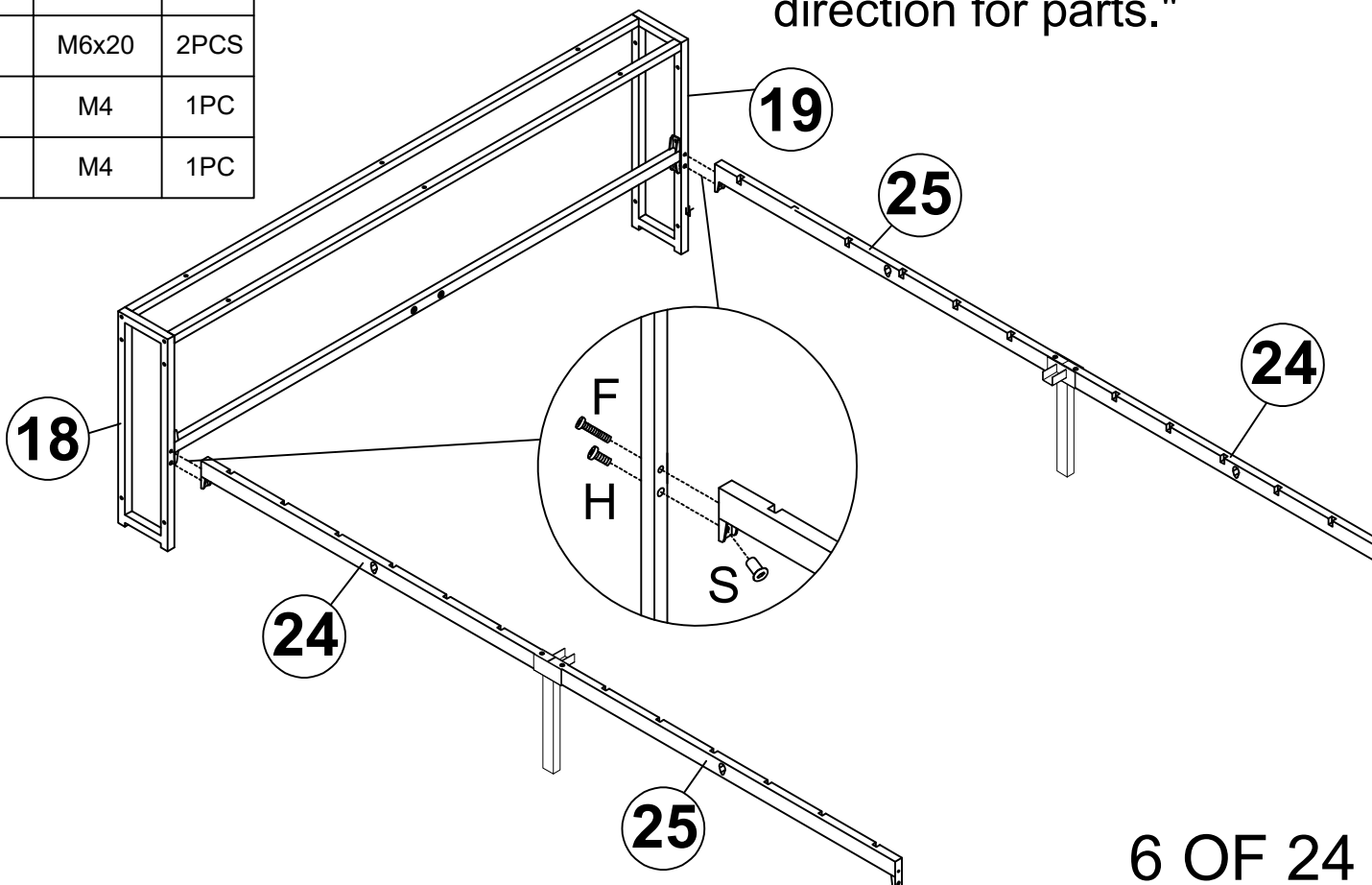
**X2**








### Step 4

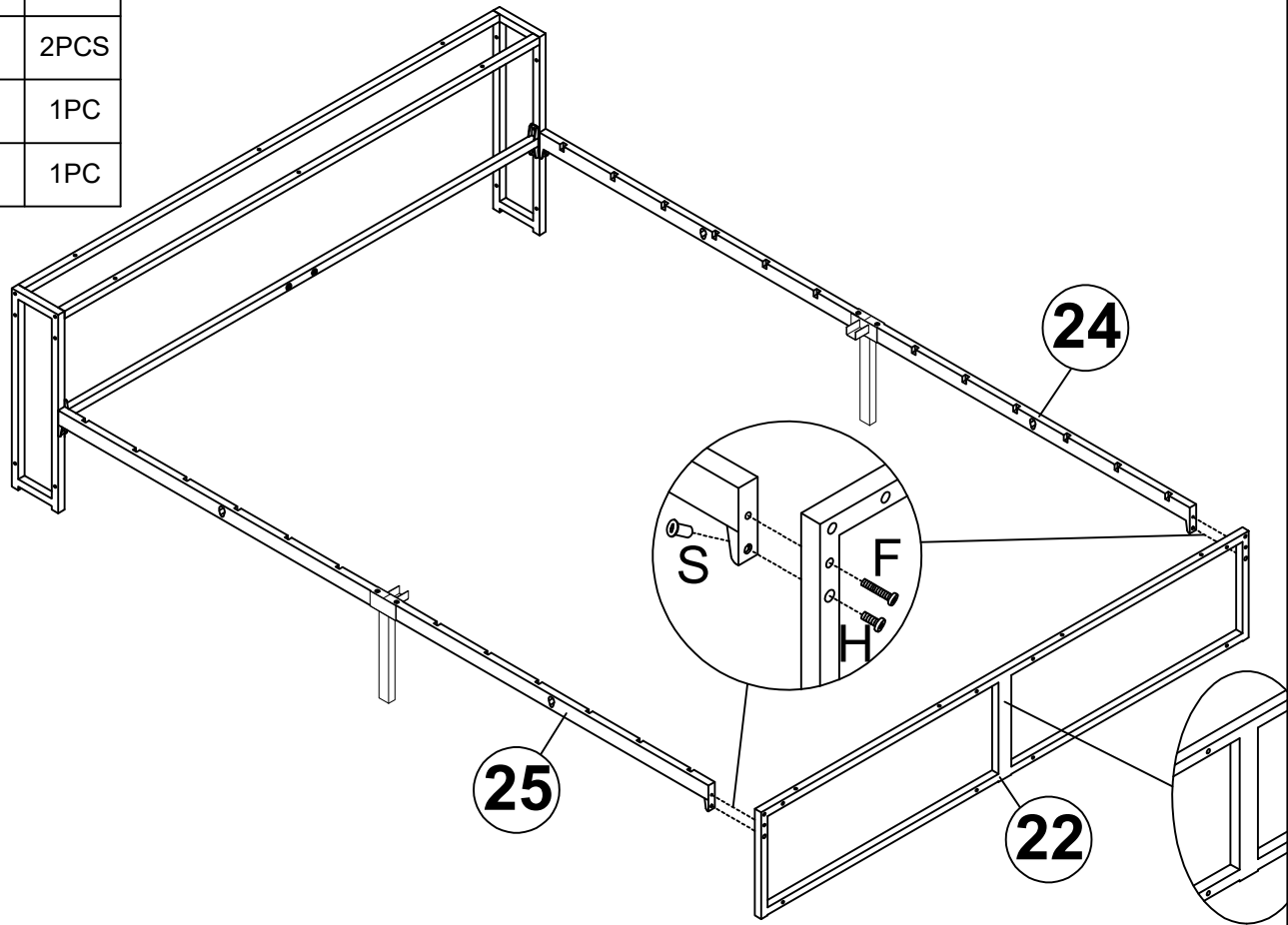
F		M6x40	2PCS
H		M6x18	2PCS
S		M6x20	2PCS
W		M4	1PC
Y		M4	1PC

"Note: Make sure to follow the correct installation direction for parts."






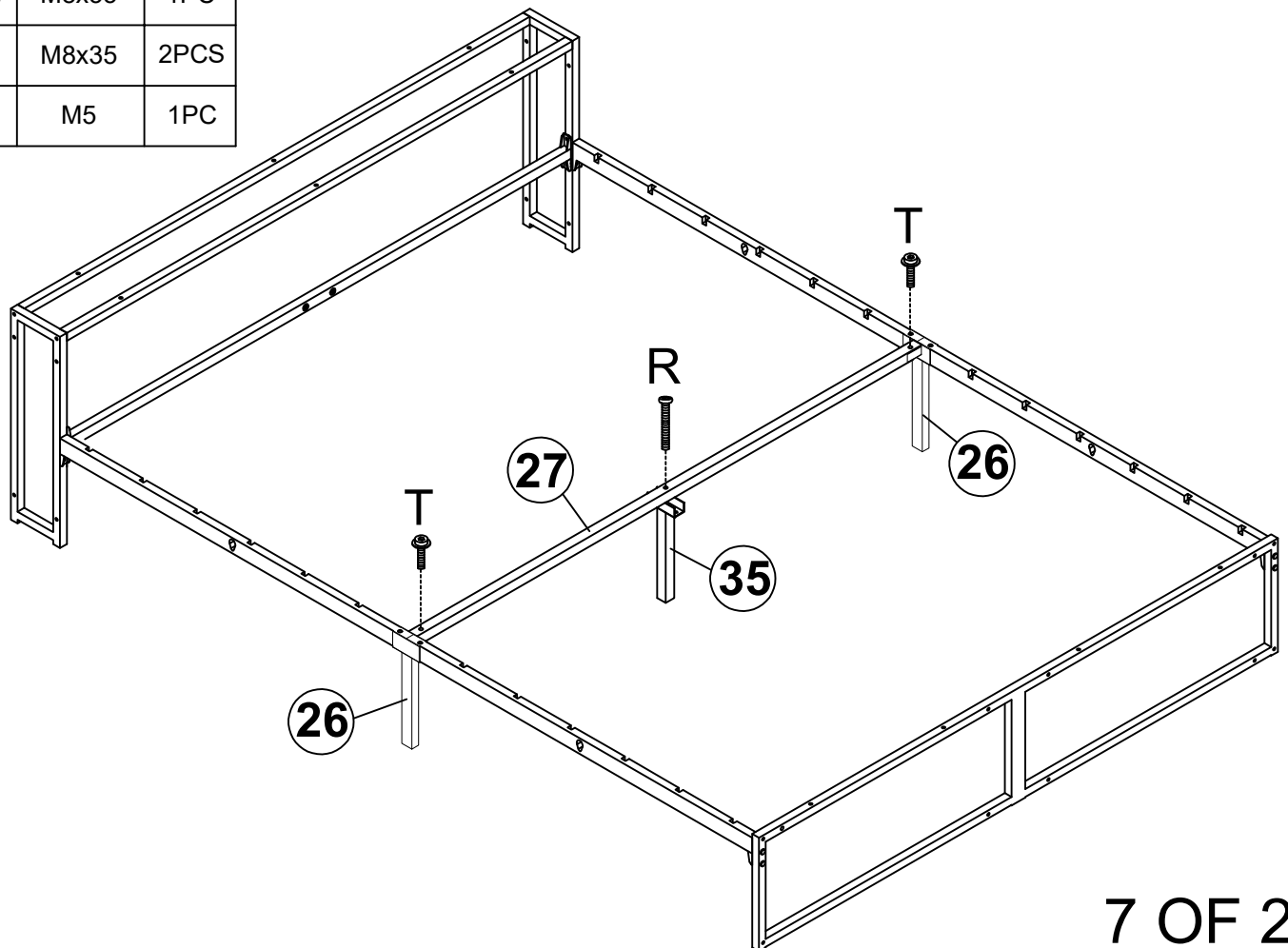
## Step 5

F		M6x40	2PCS
H		M6x18	2PCS
S		M6x20	2PCS
W		M4	1PC
Y		M4	1PC






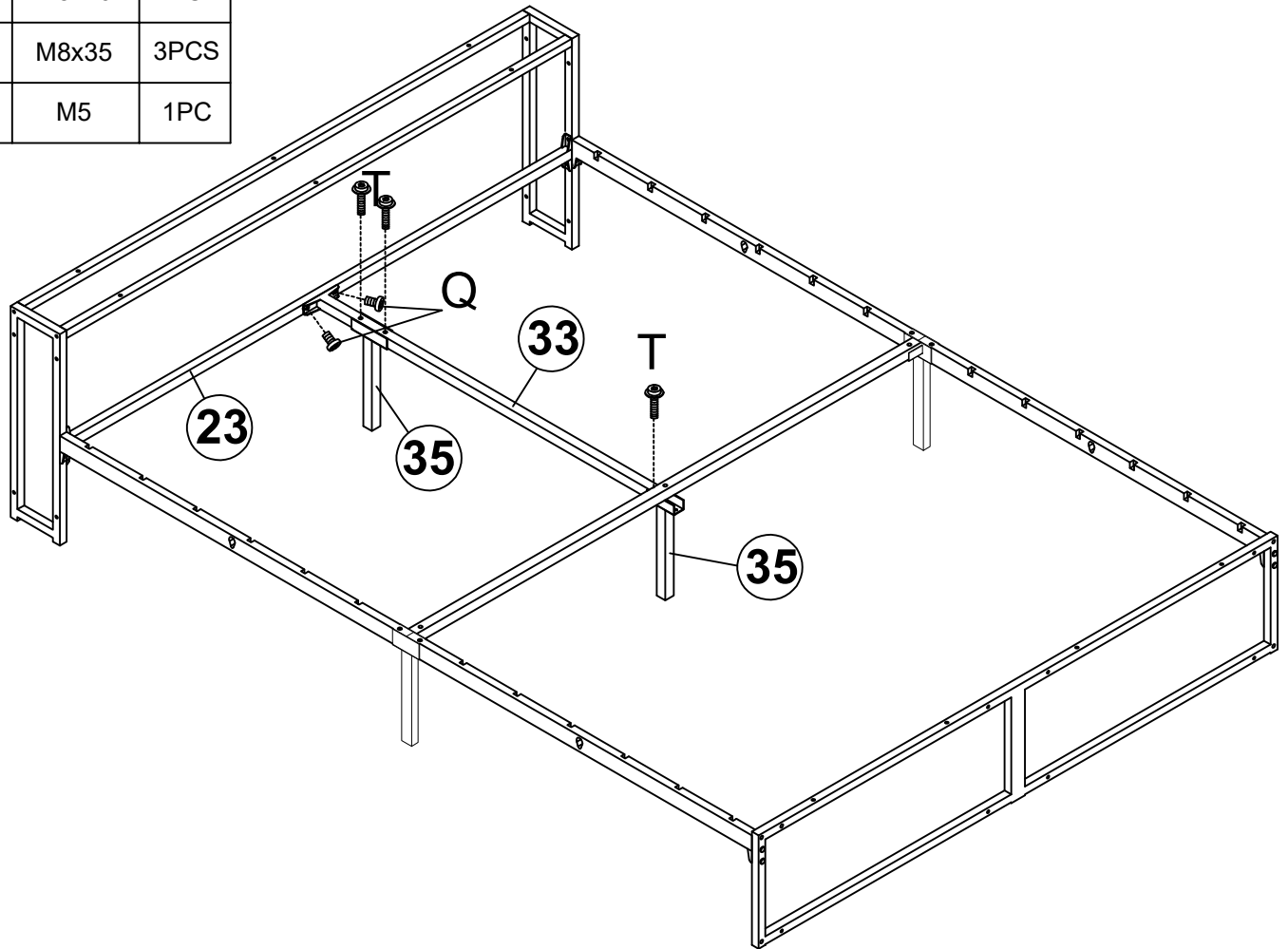
## Step 6

R		M8x55	1PC
T		M8x35	2PCS
X		M5	1PC

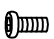




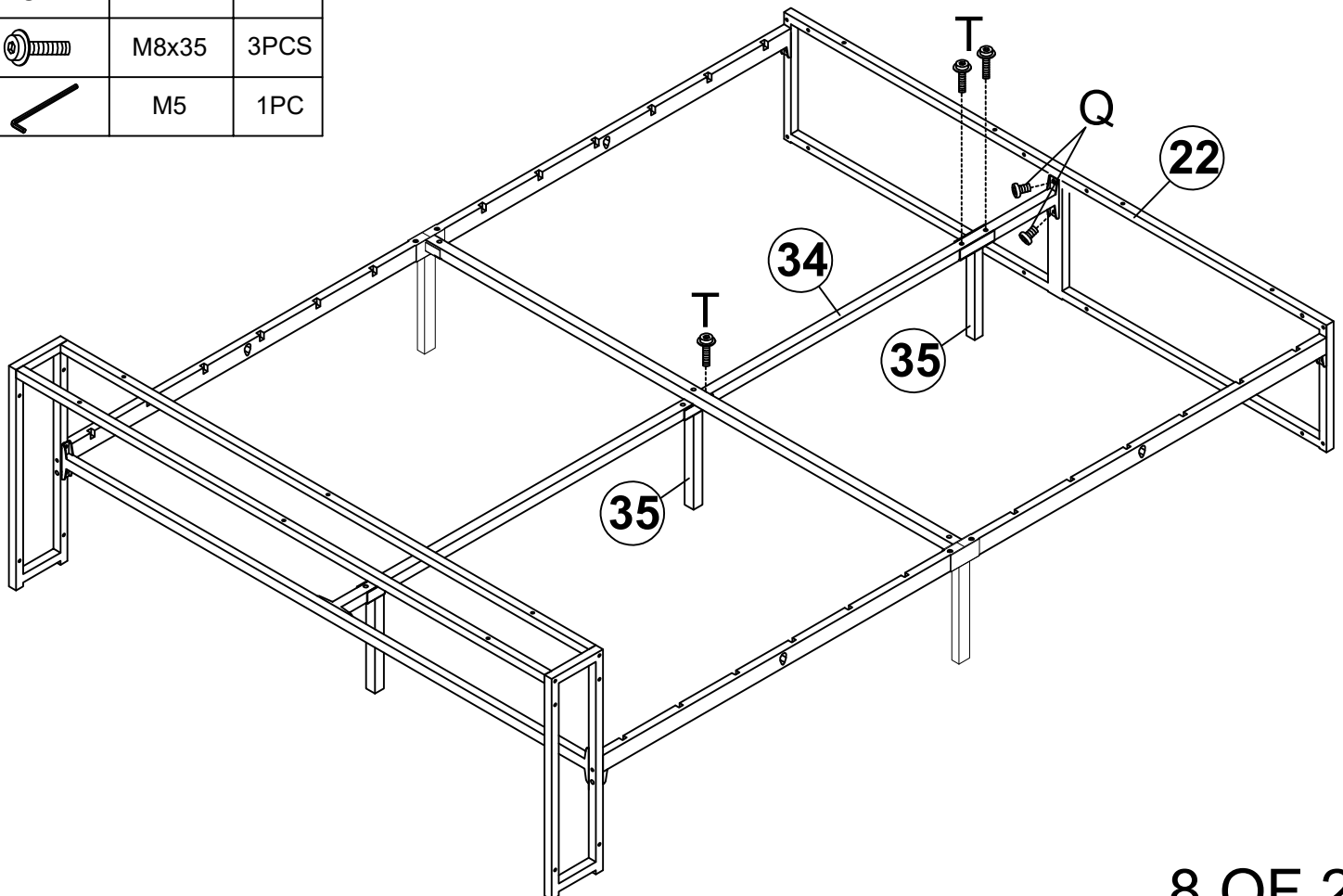
### Step 7

Q		M8x16	2PCS
T		M8x35	3PCS
X		M5	1PC





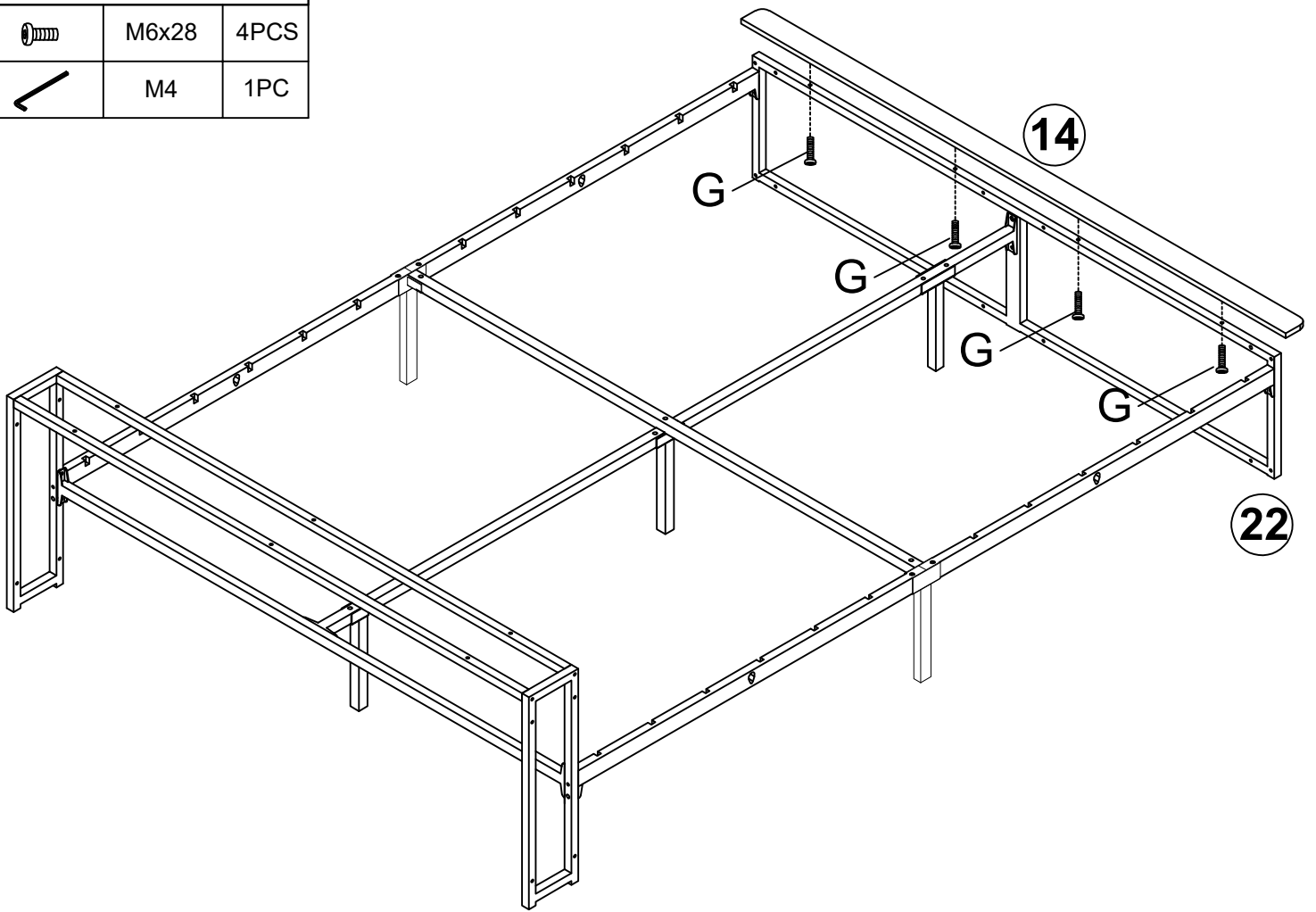
### Step 8

Q		M8x16	2PCS
T		M8x35	3PCS
X		M5	1PC



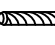


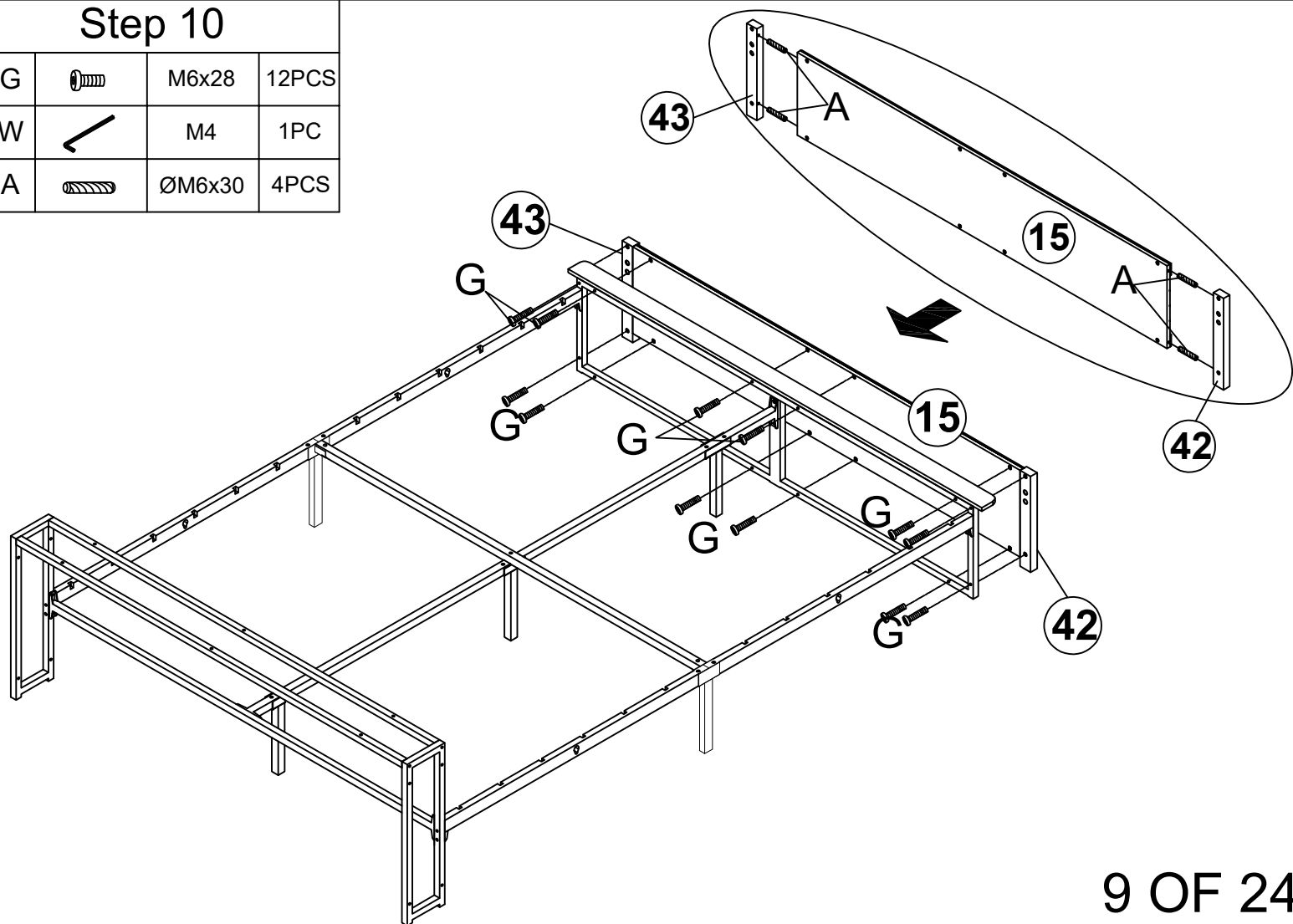
### Step 9

G		M6x28	4PCS
W		M4	1PC

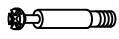





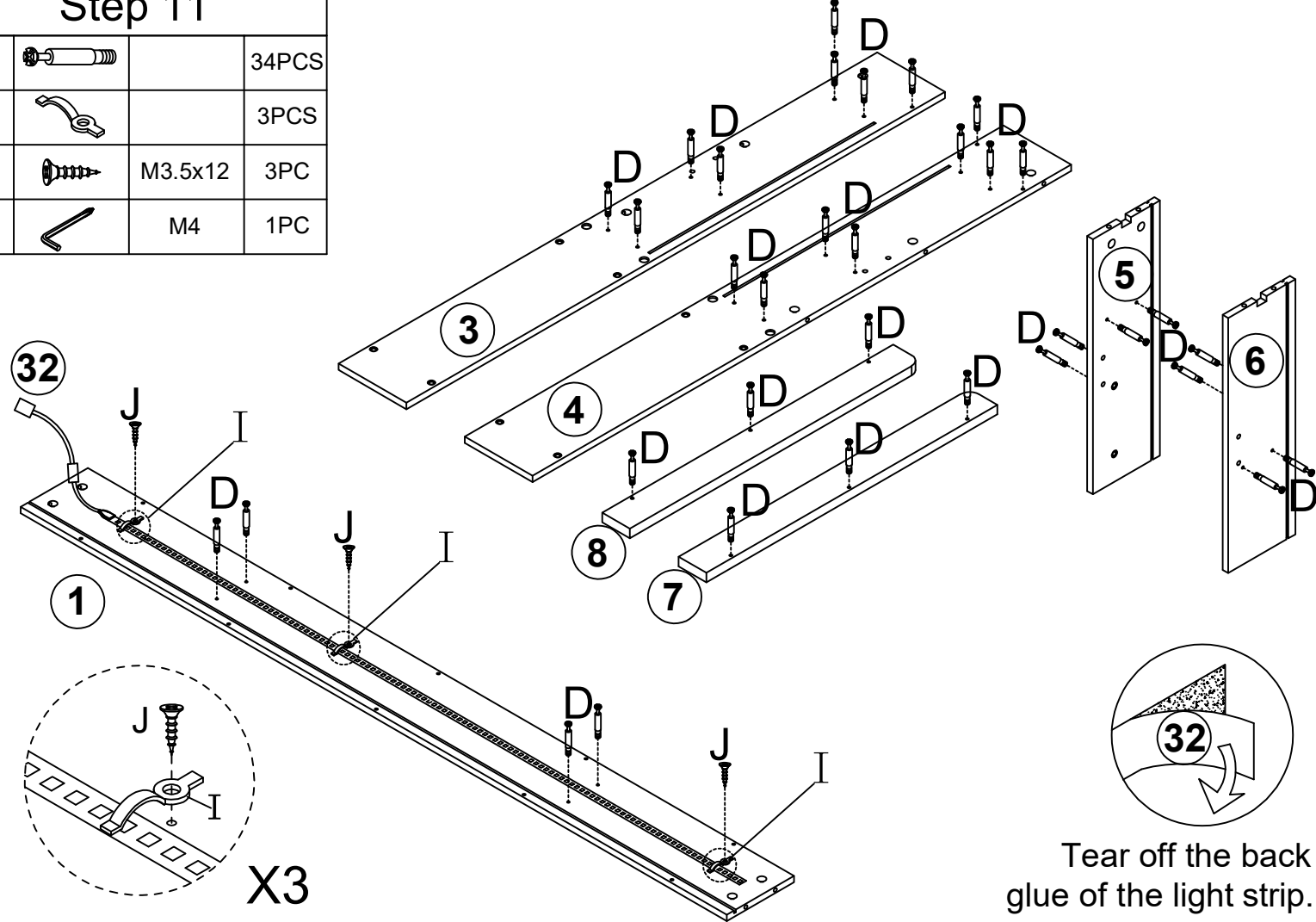
### Step 10

G		M6x28	12PCS
W		M4	1PC
A		ØM6x30	4PCS





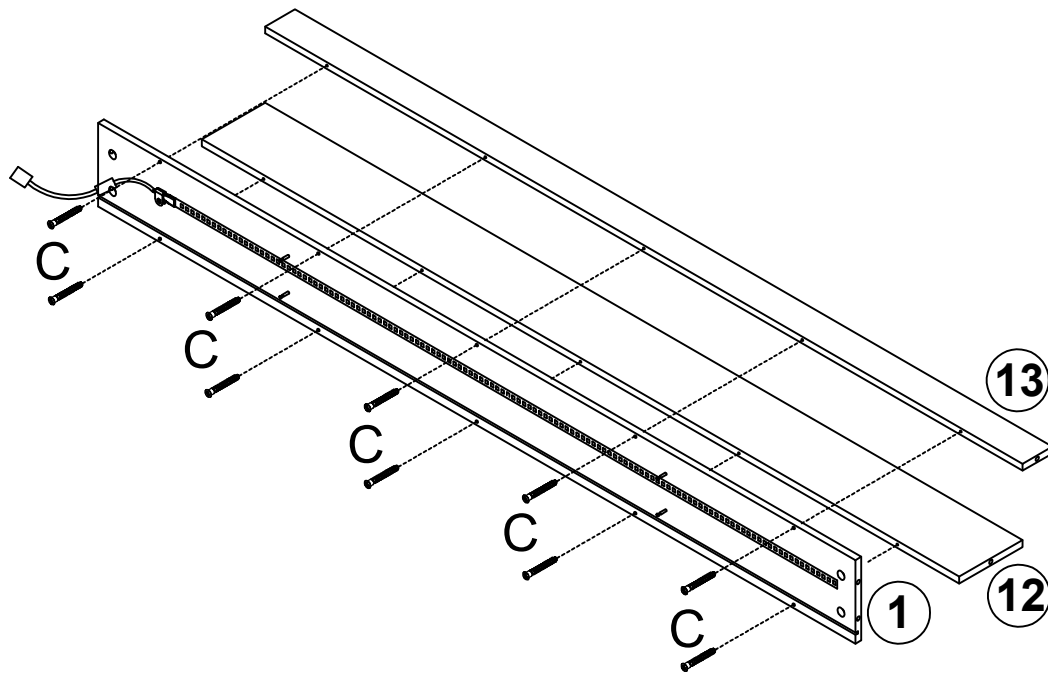
## Step 11

D			34PCS
I			3PCS
J		M3.5x12	3PC
Y		M4	1PC





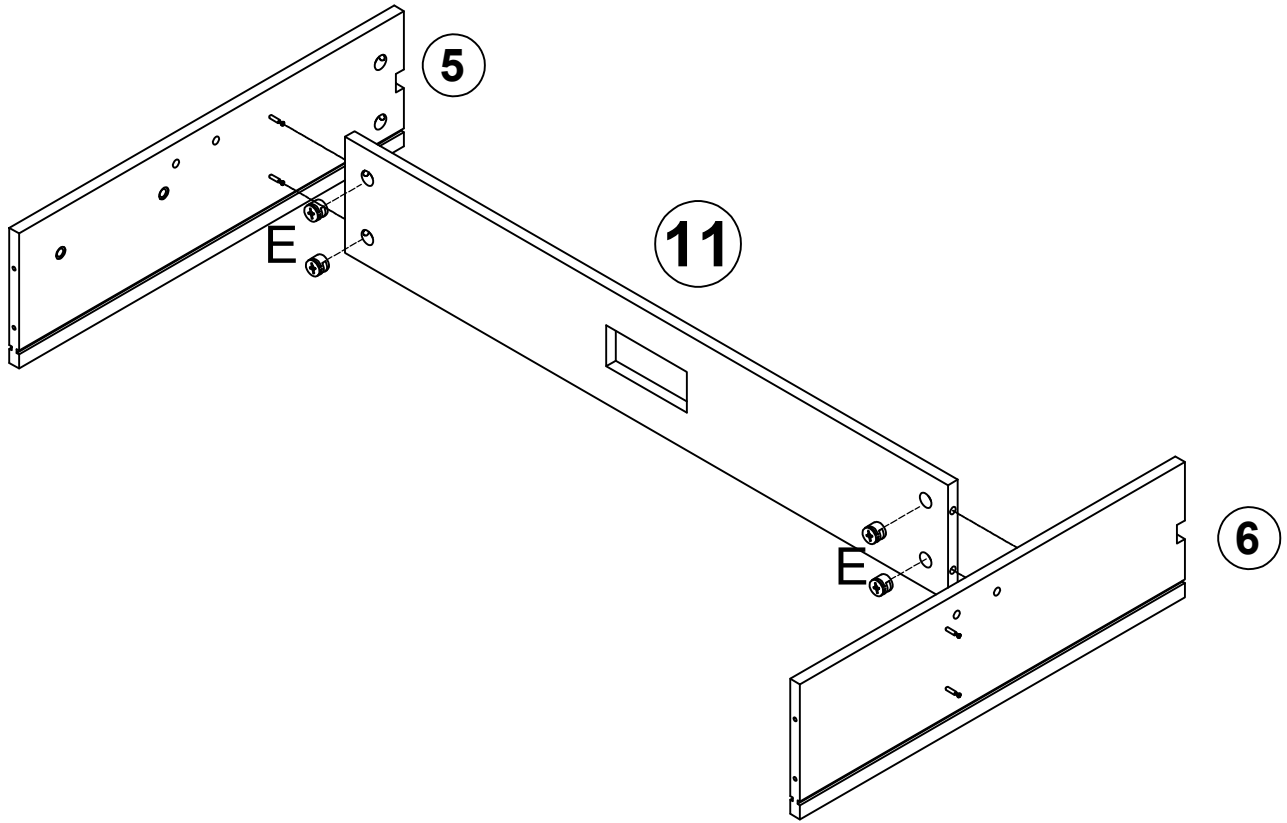
## Step 12

C		M5x40	10PCS
Y		M4	1PC





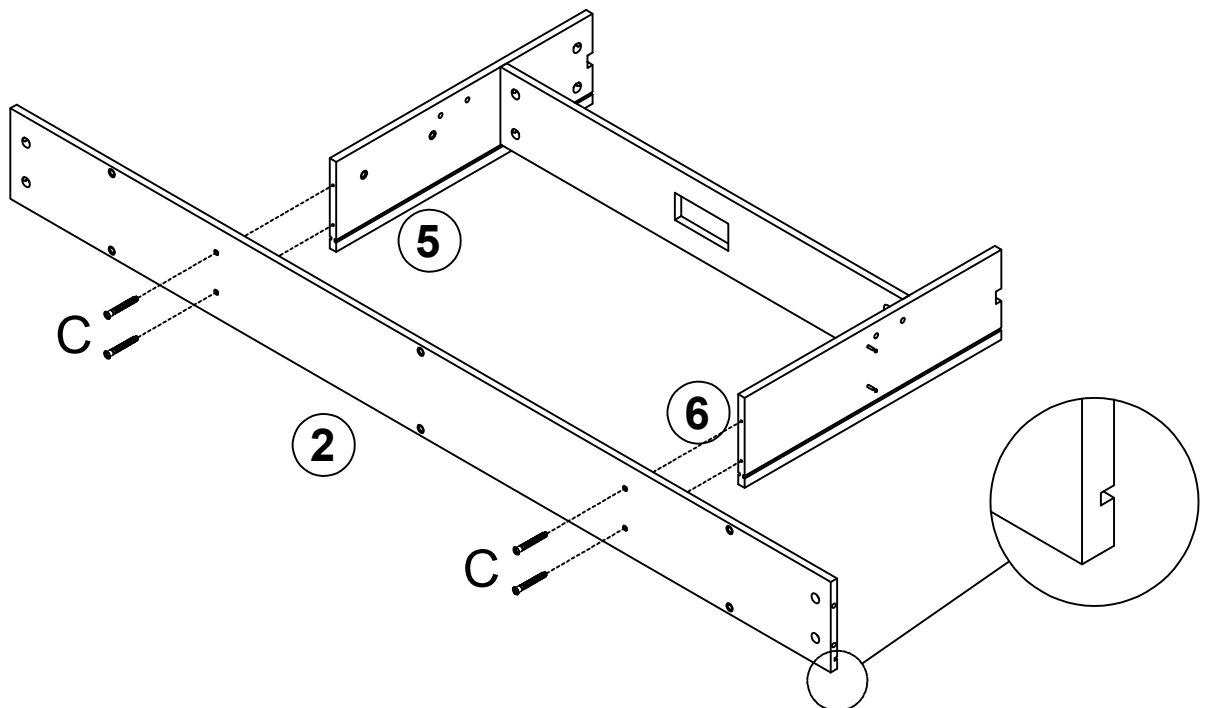
### Step 13

E			4PCS
Y		M4	1PC



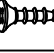
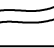


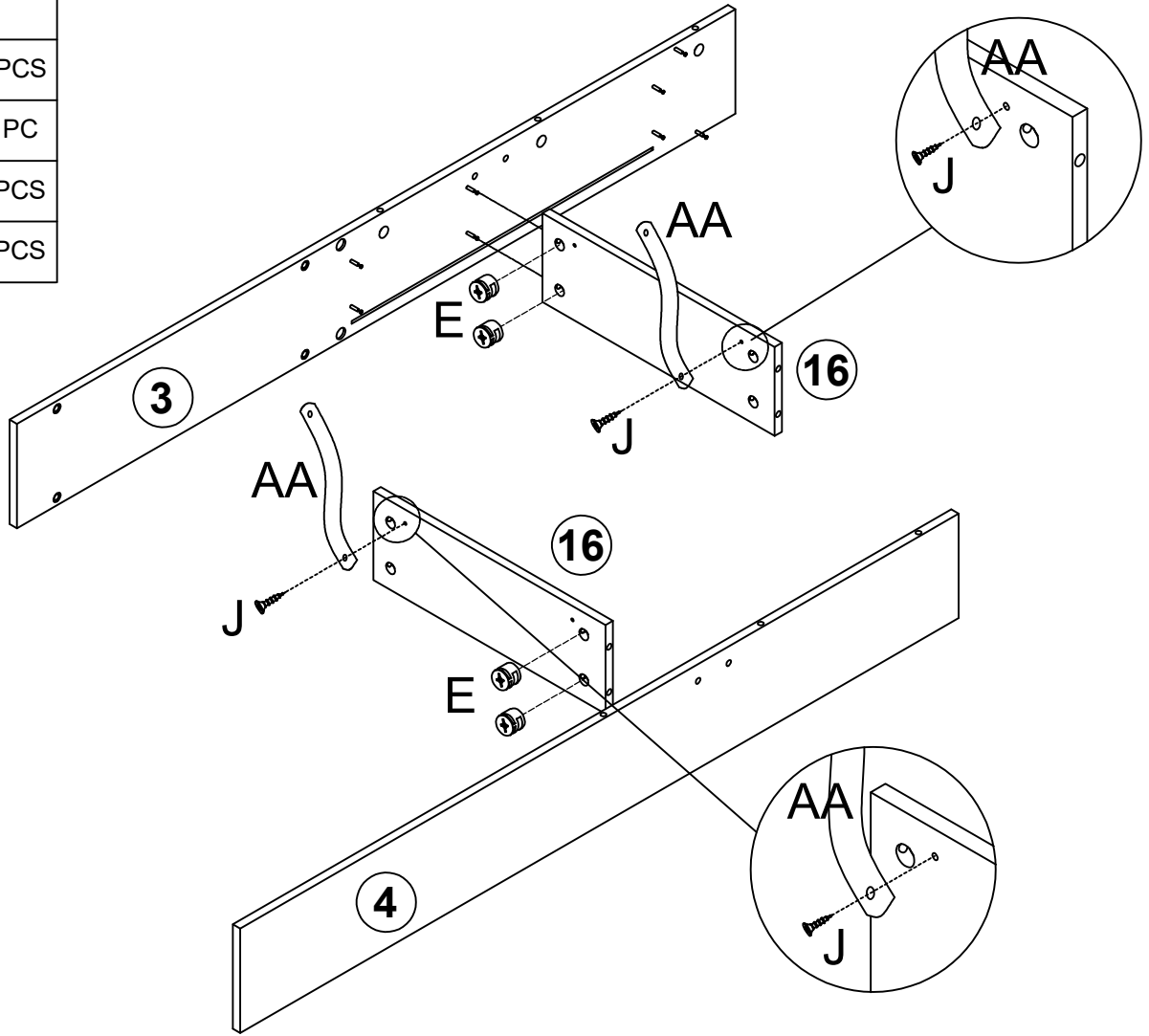
### Step 14

C		M5x40	4PCS
Y		M4	1PC





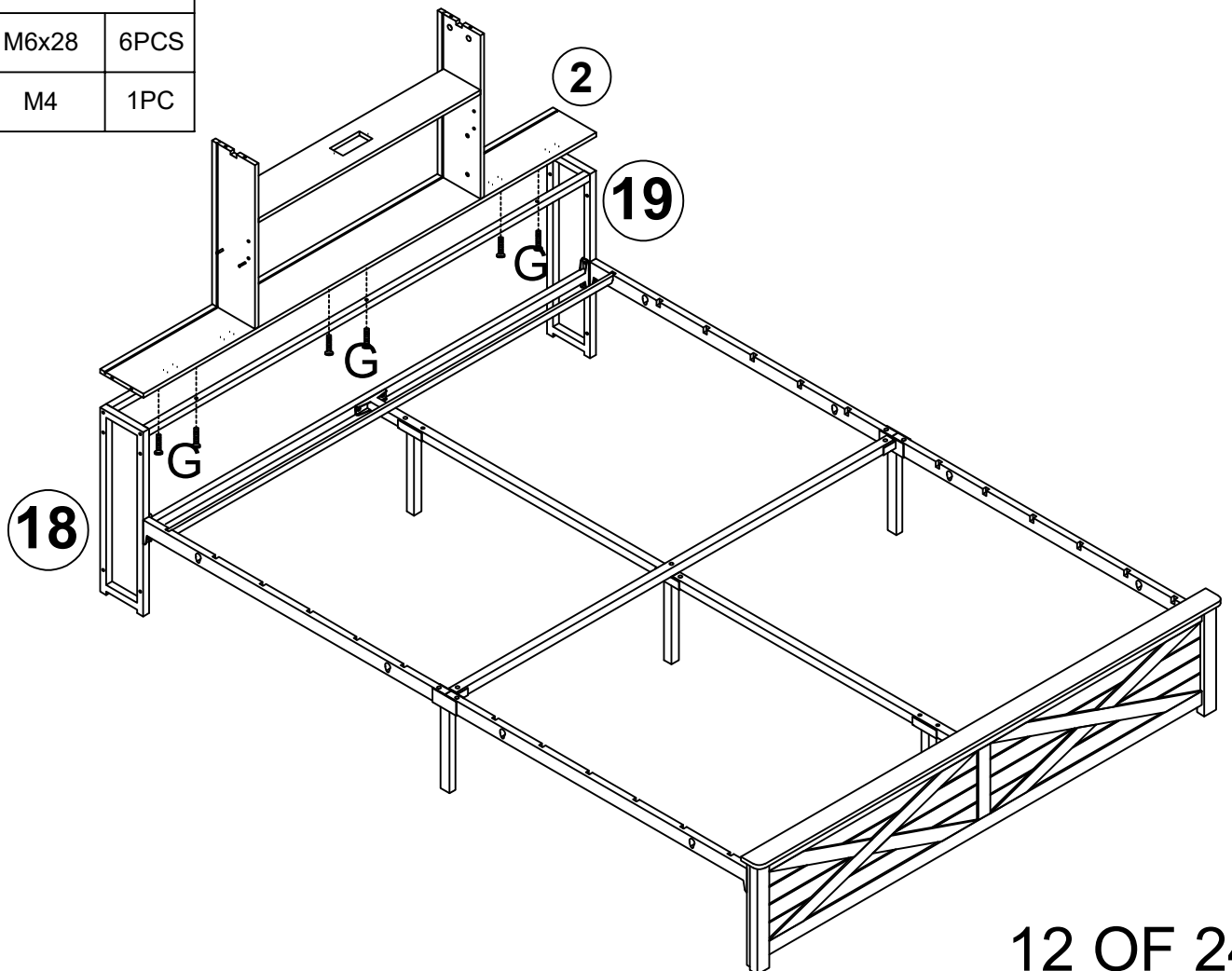
### Step 15

E			4PCS
Y		M4	1PC
J		M3.5x12	2PCS
AA			2PCS

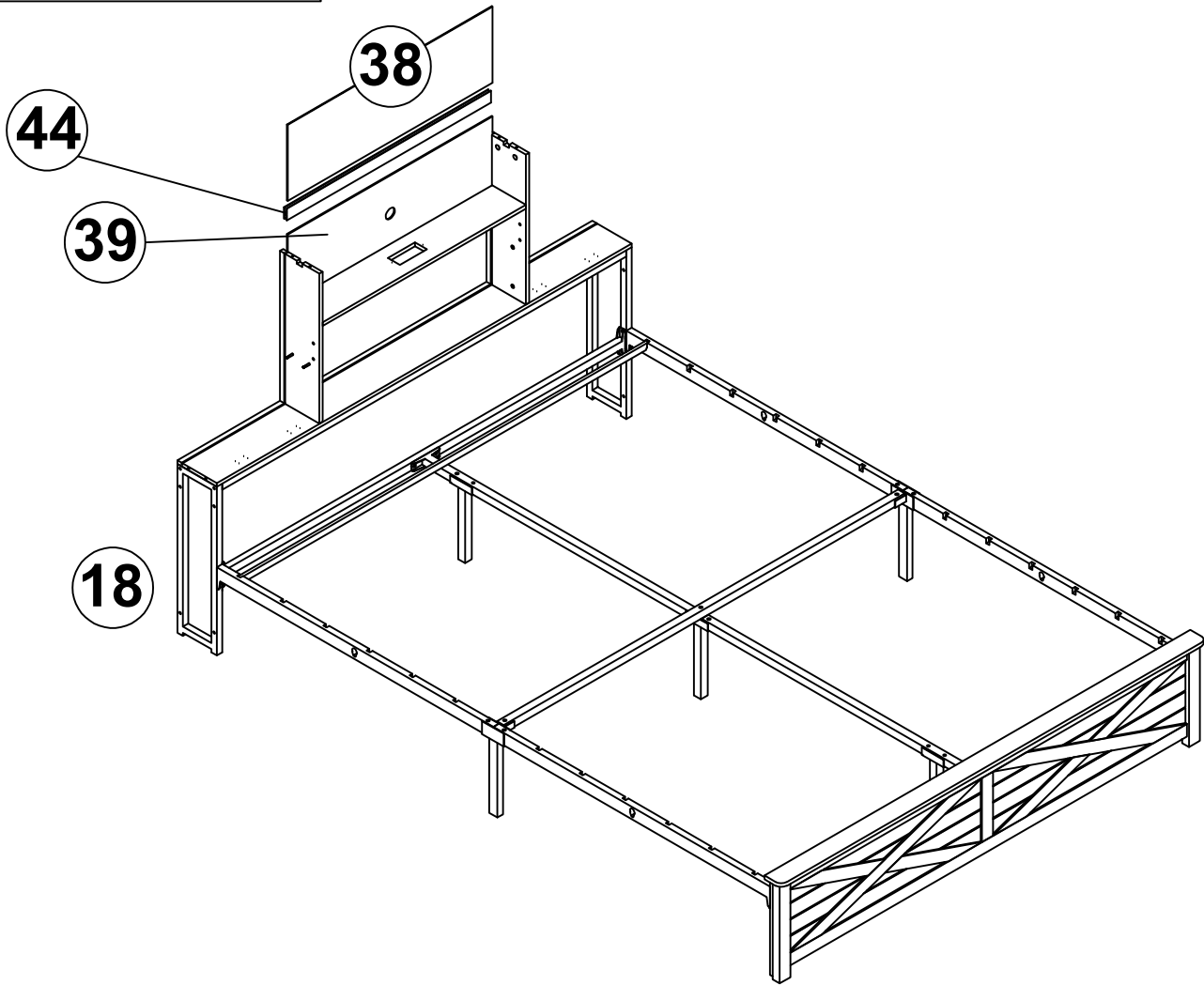


### Step 16



G		M6x28	6PCS
W		M4	1PC

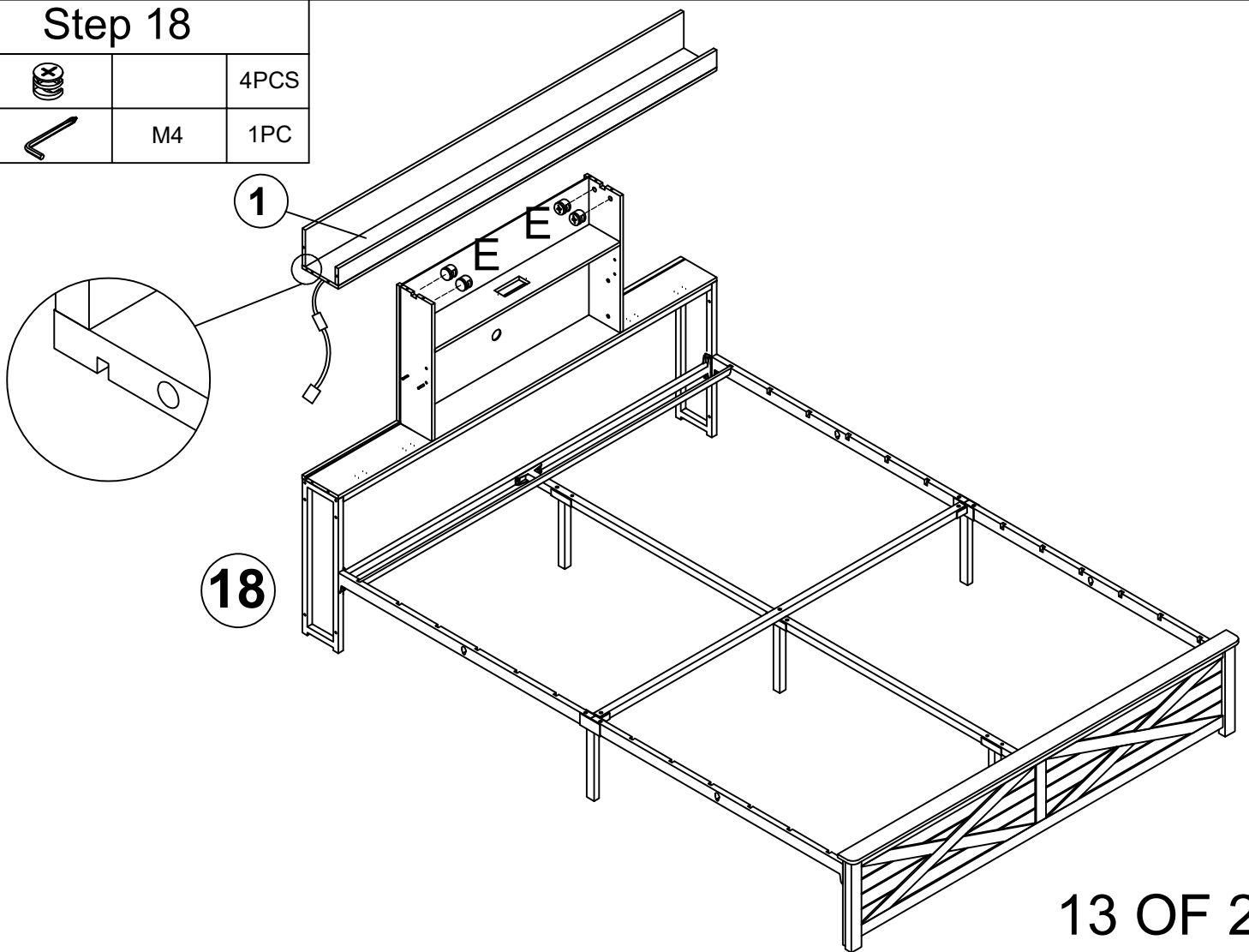


# Step 17





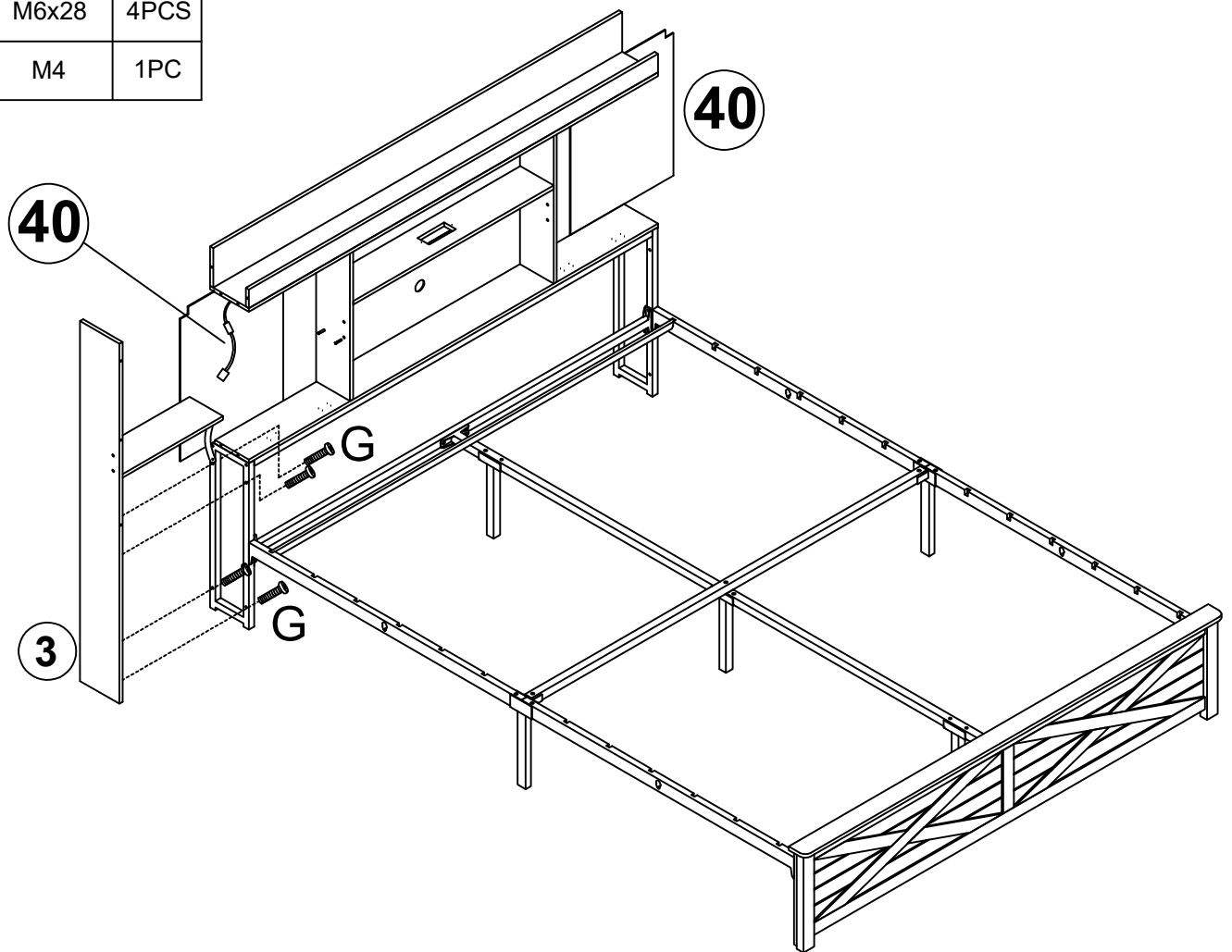
# Step 18

E			4PCS
Y		M4	1PC





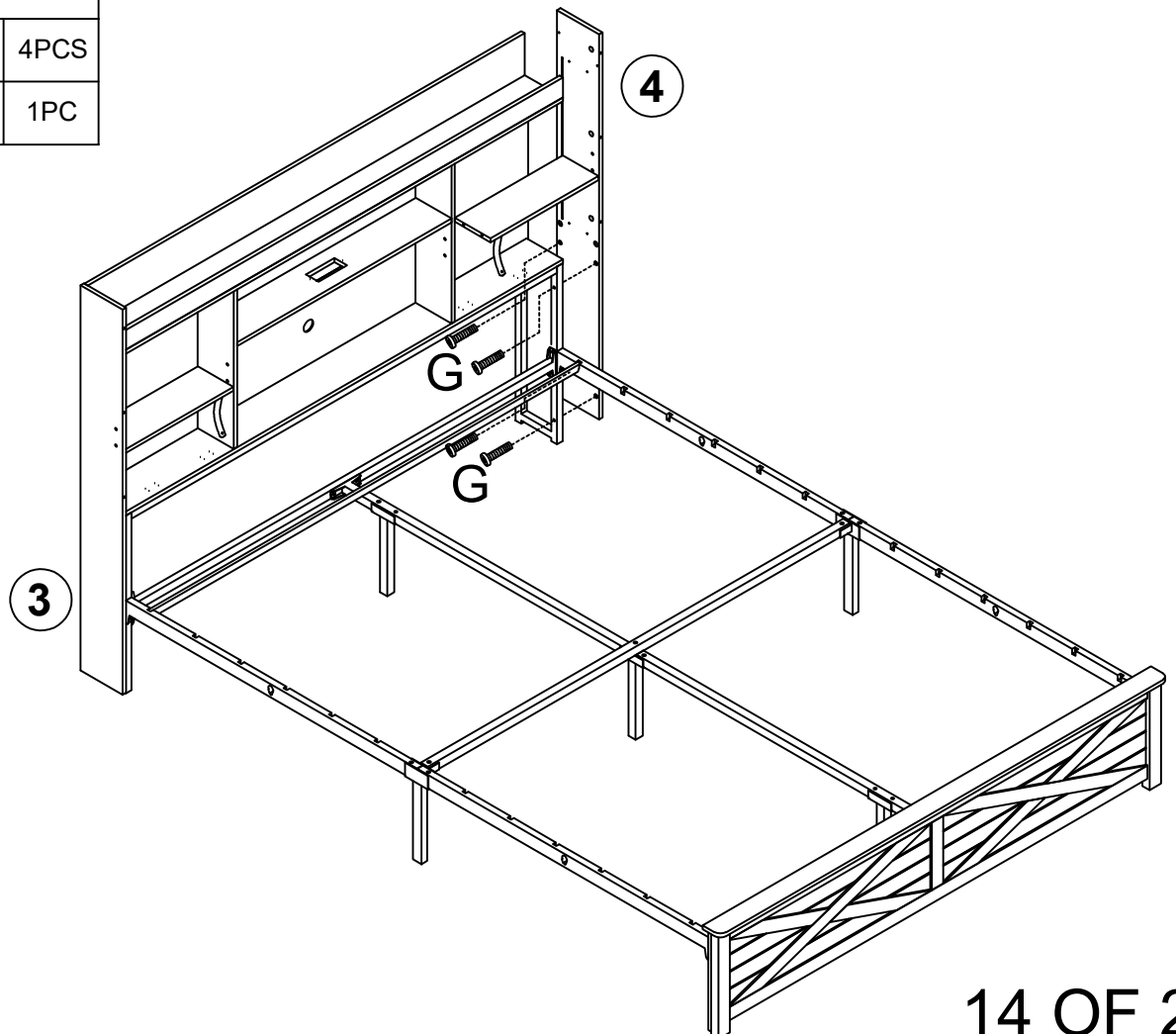
### Step 19

G		M6x28	4PCS
W		M4	1PC





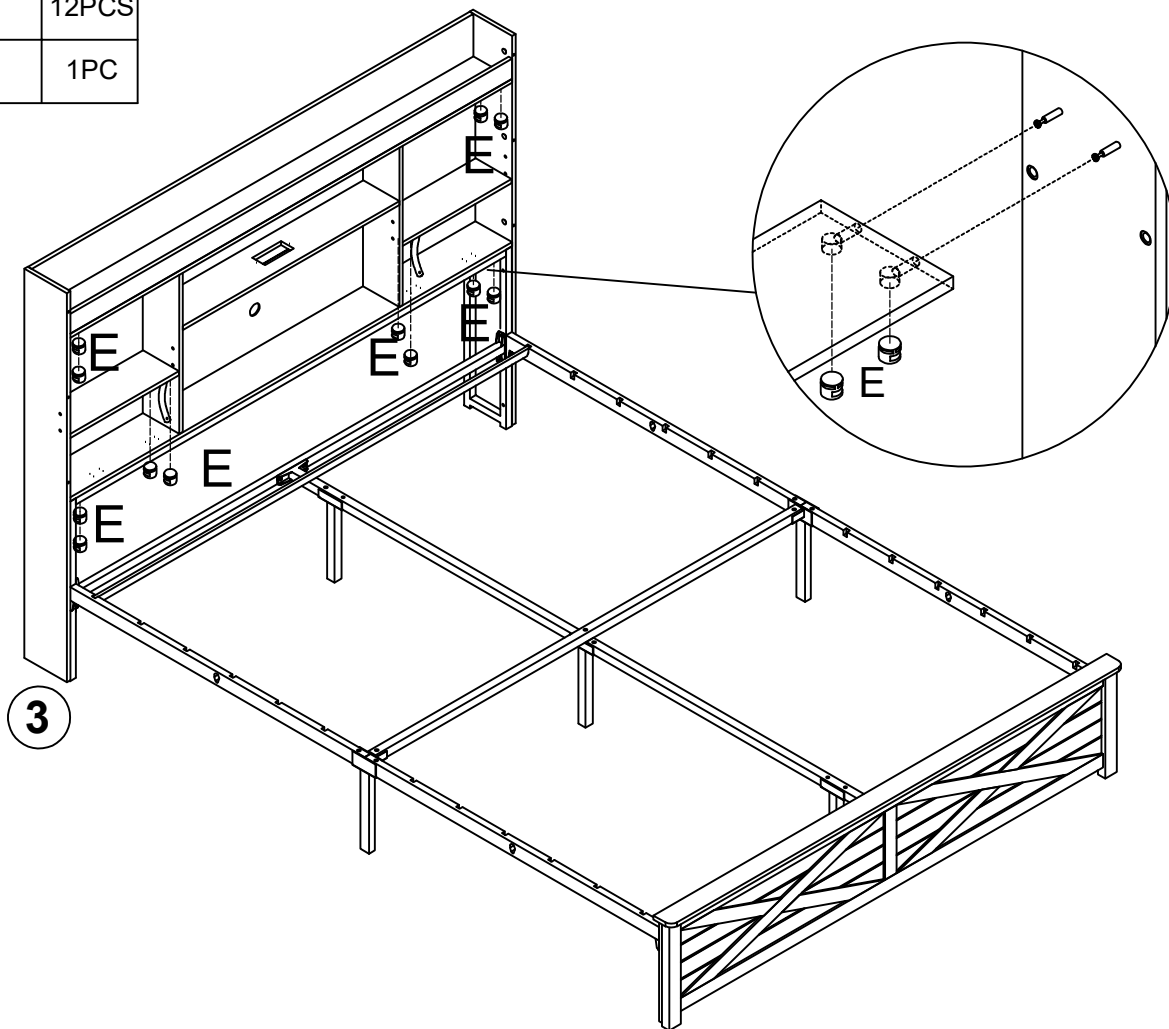
### Step 20

G		M6x28	4PCS
W		M4	1PC





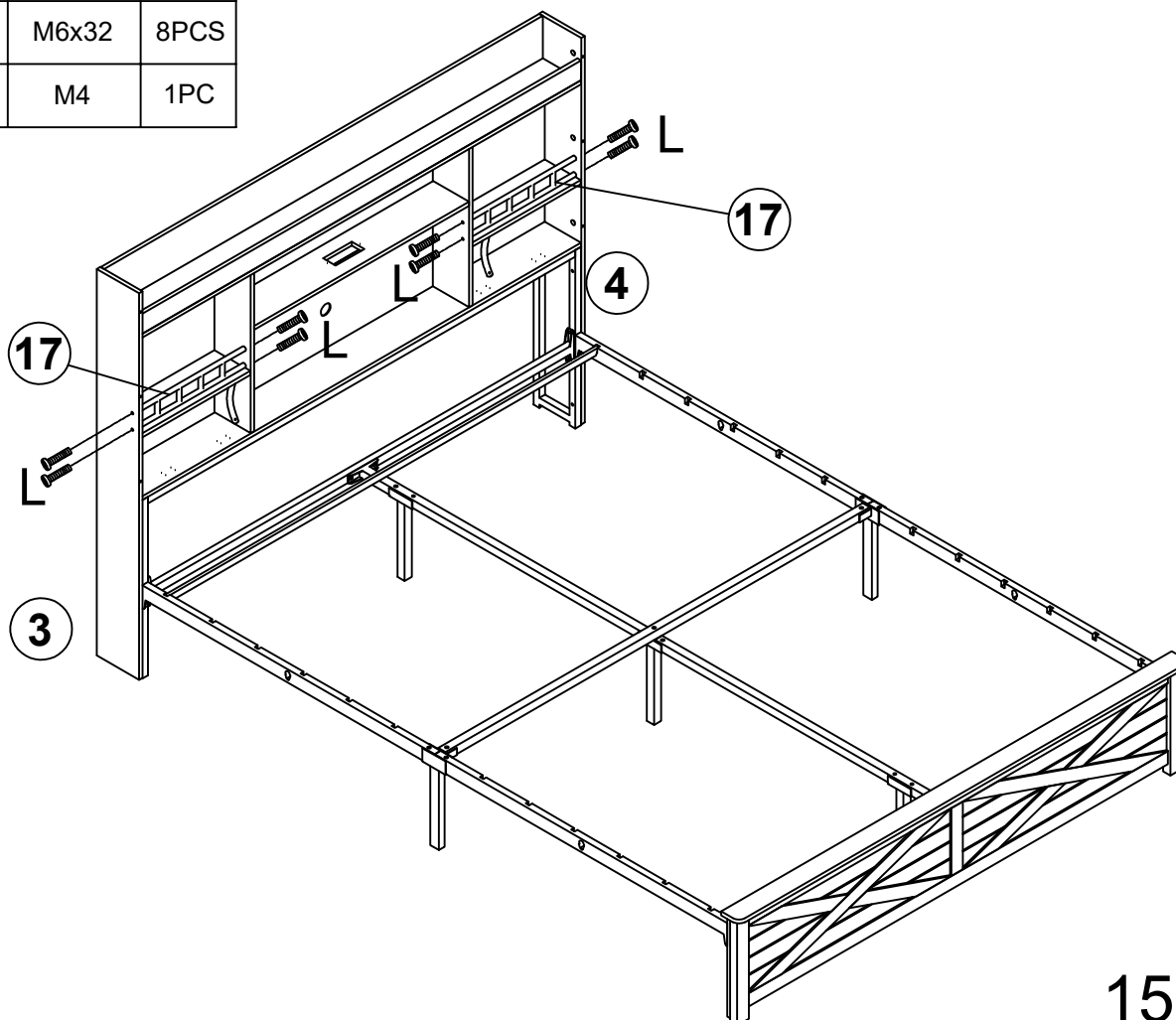
### Step 21

E			12PCS
Y		M4	1PC





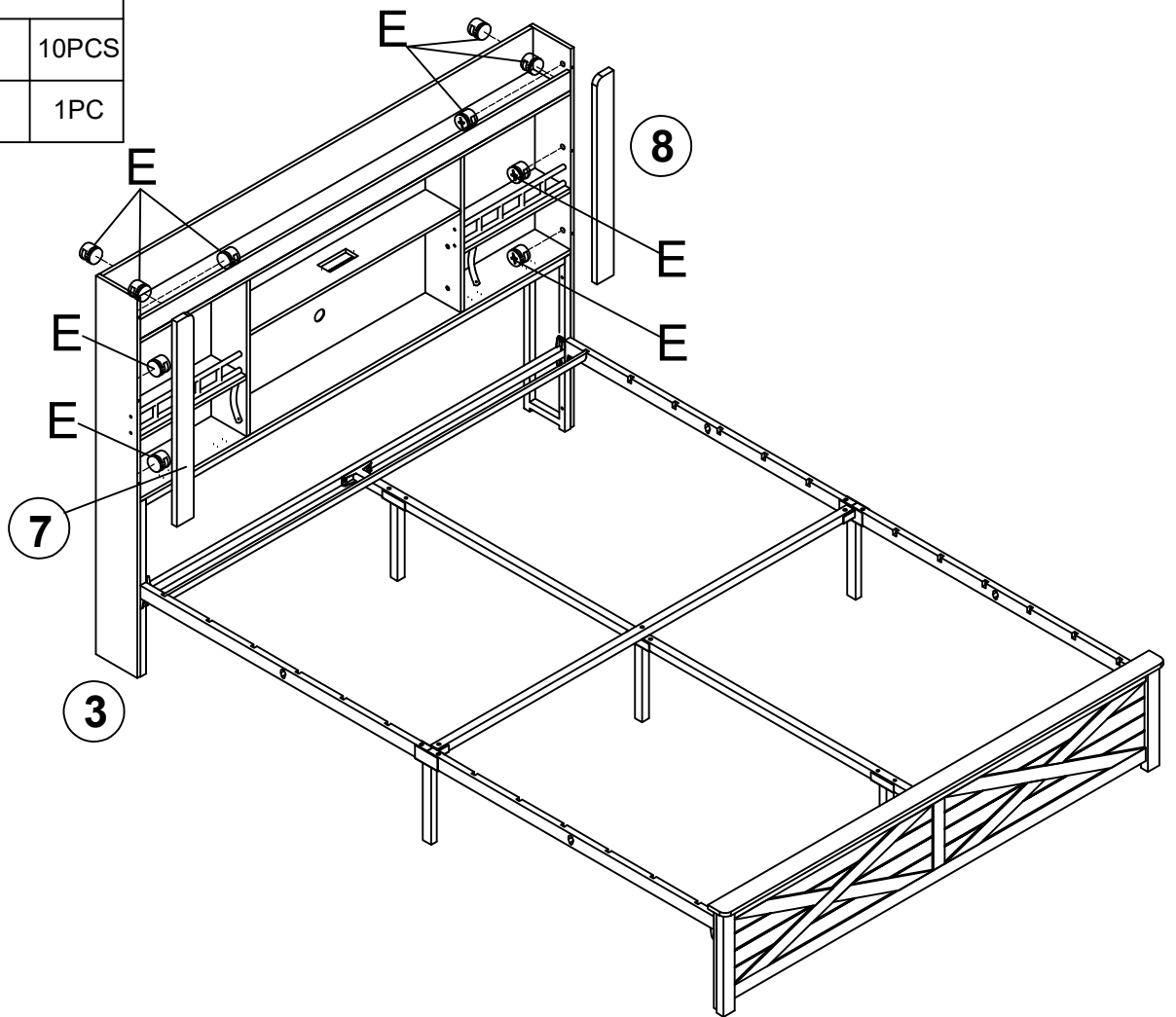
### Step 22

L		M6x32	8PCS
W		M4	1PC






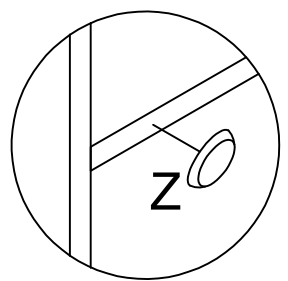
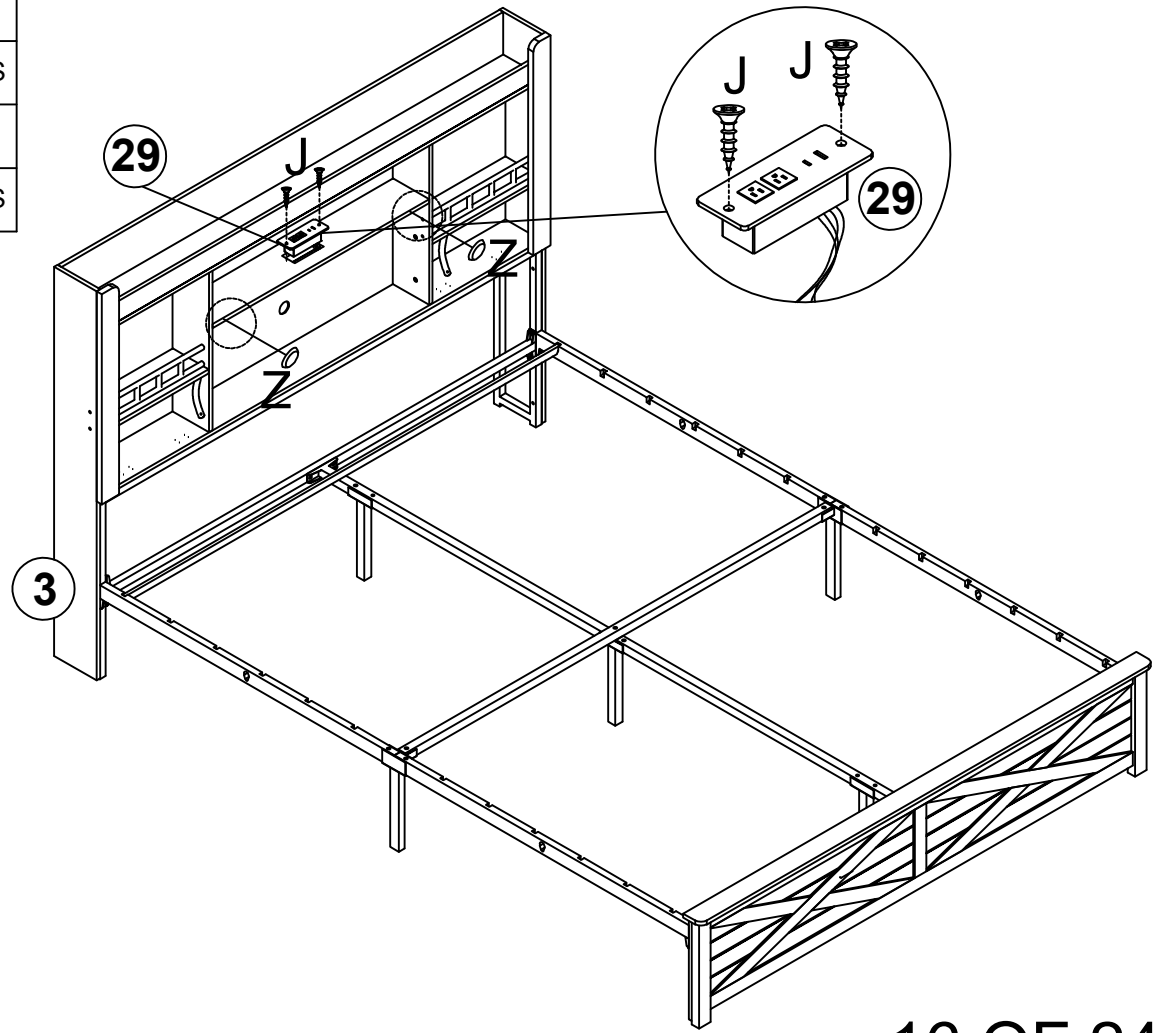
### Step 23

E			10PCS
Y		M4	1PC

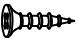




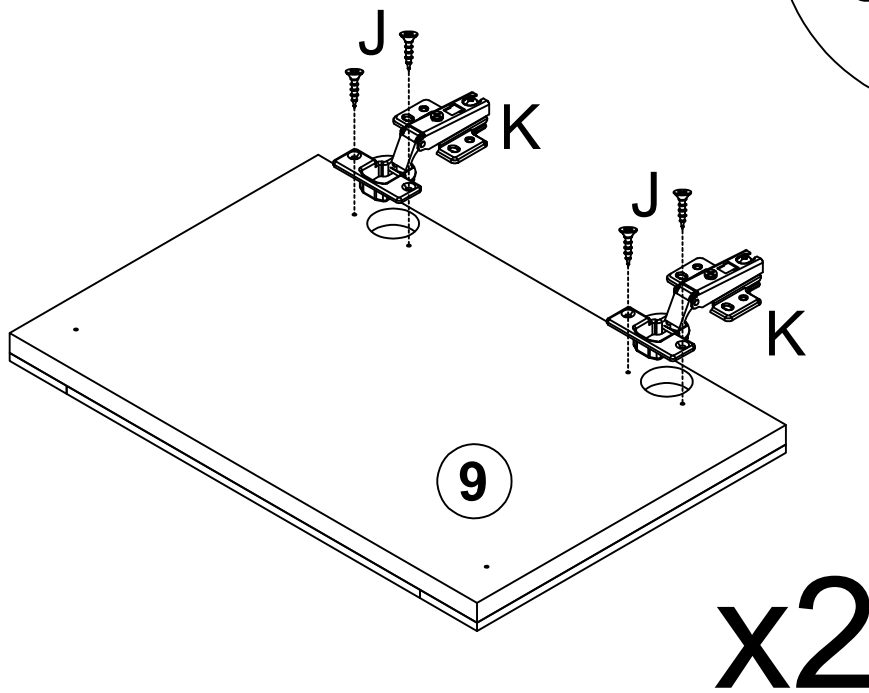
### Step 24

J		M3.5x12	2PCS
Y		M4	1PC
Z			2PCS

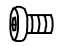



### Step 25

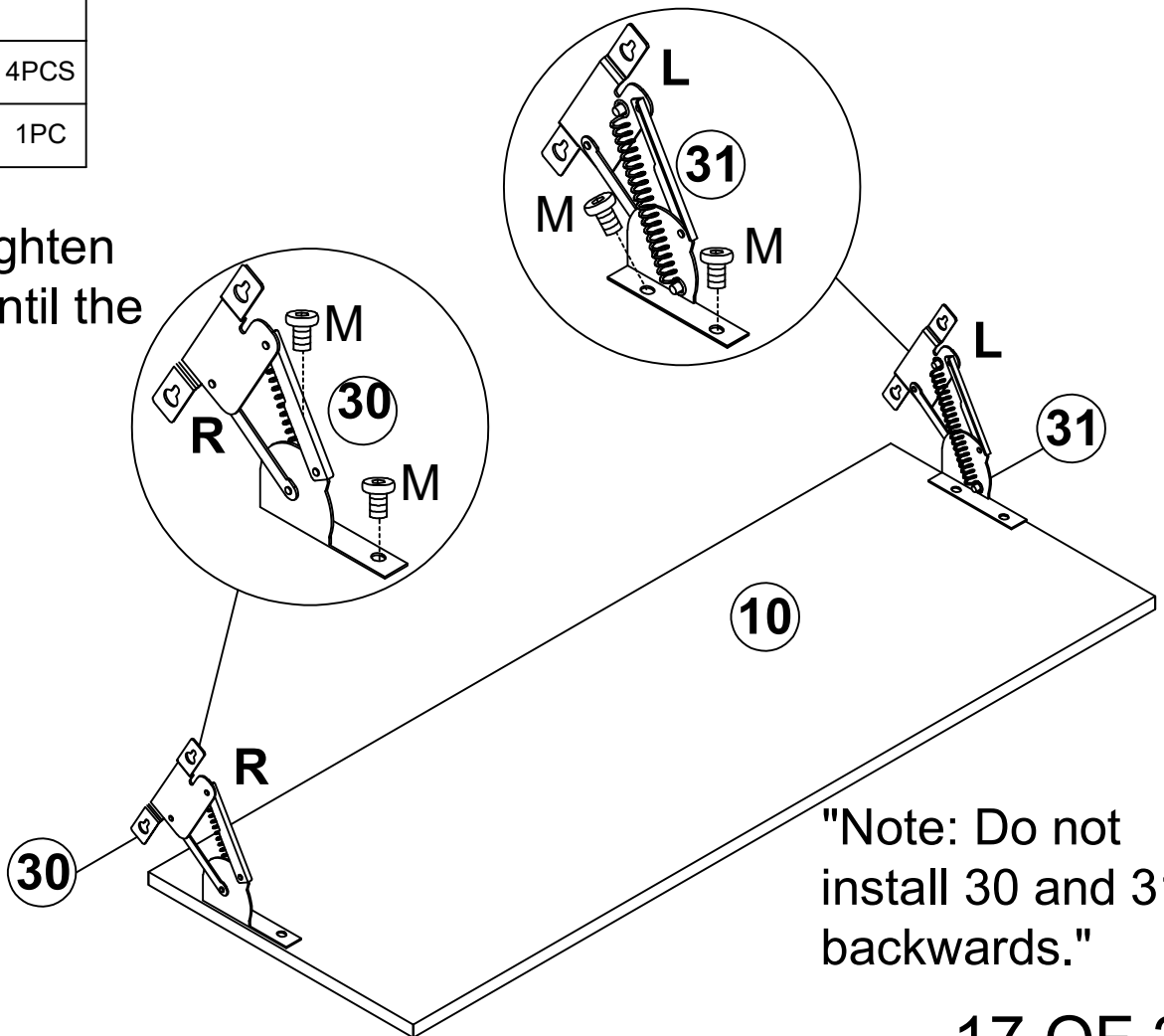
J		M3.5x12	8PCS
K			4PCS
Y		M4	1PC



### Step 26



M		M6x10	4PCS
W		M4	1PC

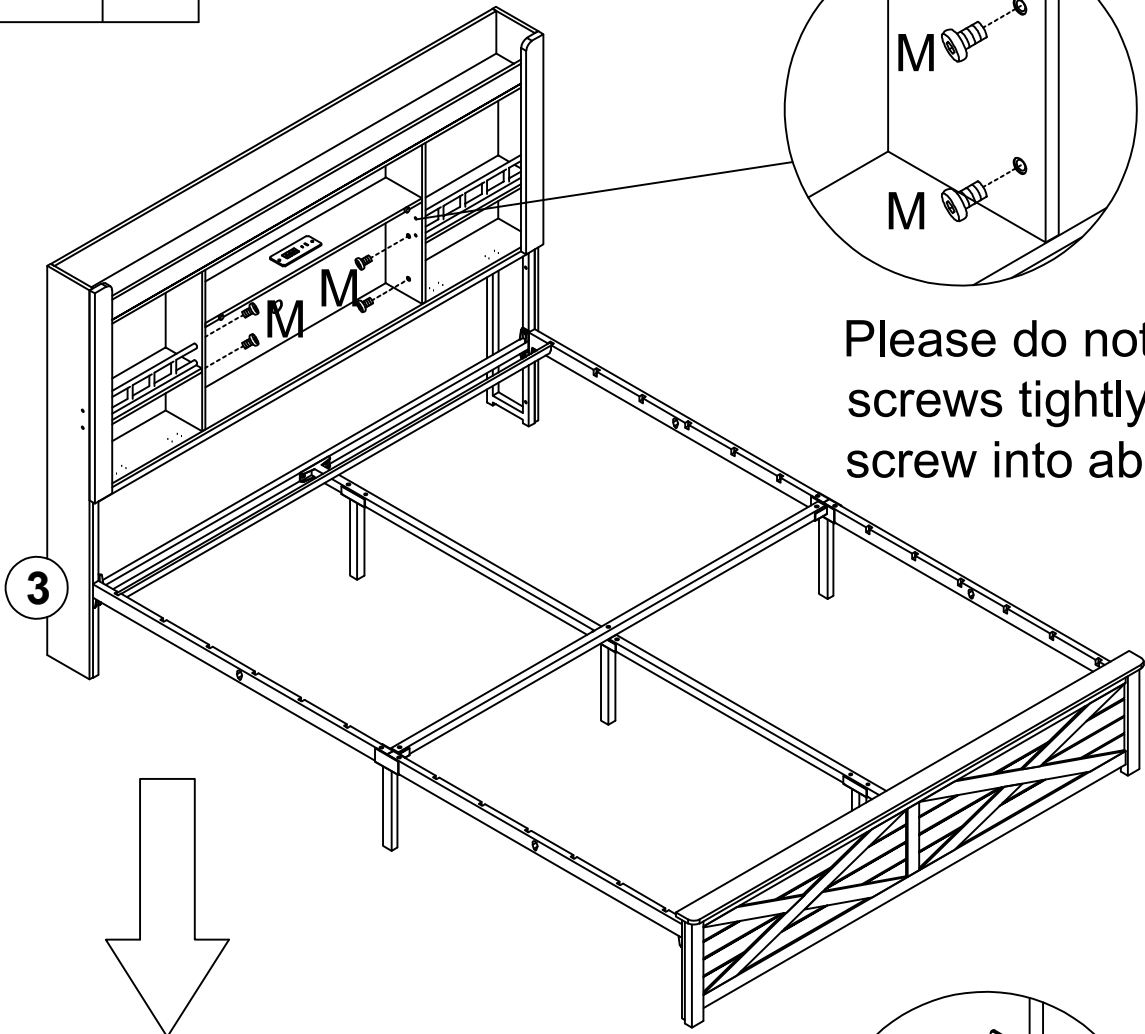
"Don't fully tighten the screws until the installation is complete."



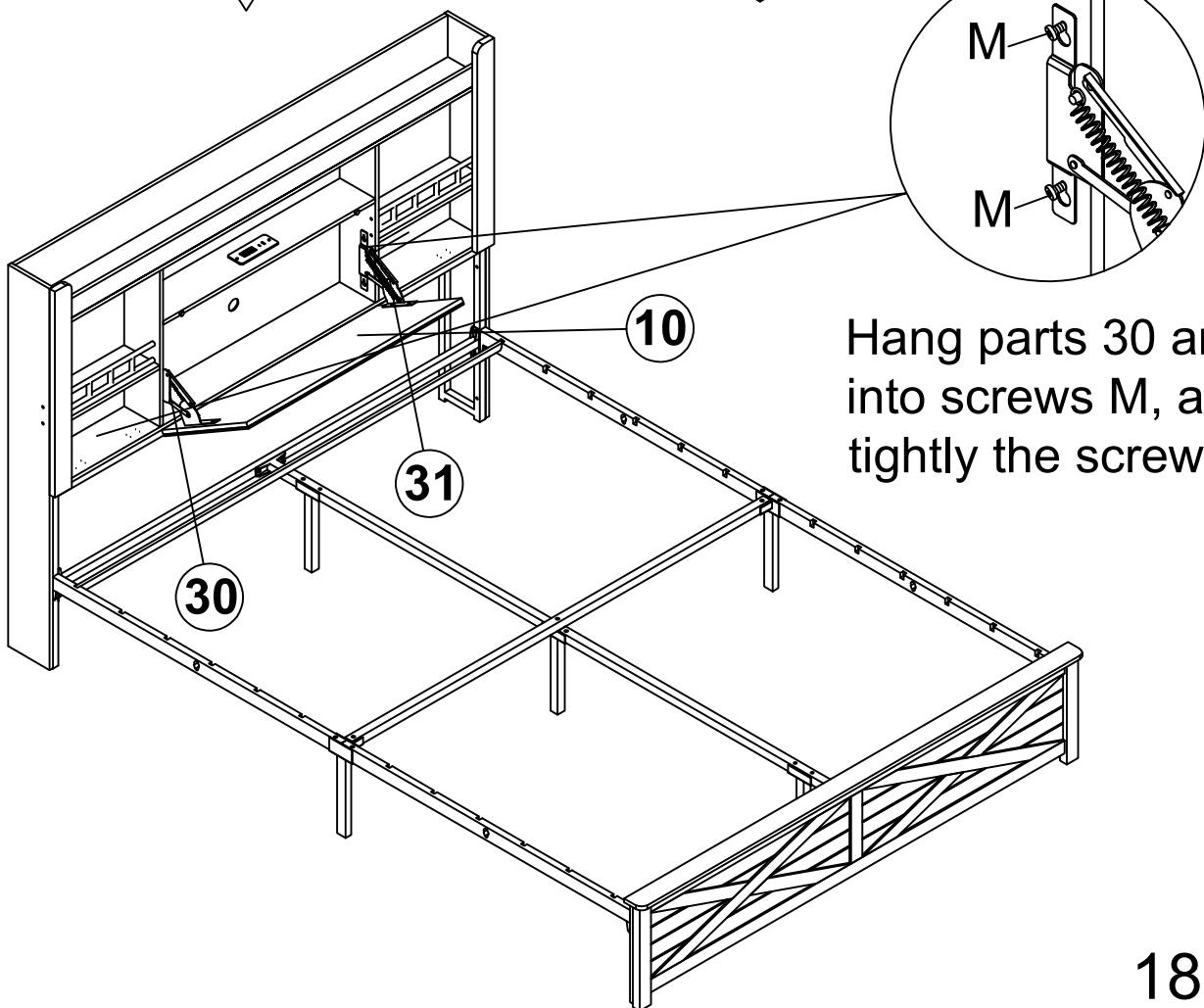
"Note: Do not install 30 and 31 backwards."

# Step 27

M		M6x10	4PCS
W		M4	1PC

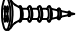



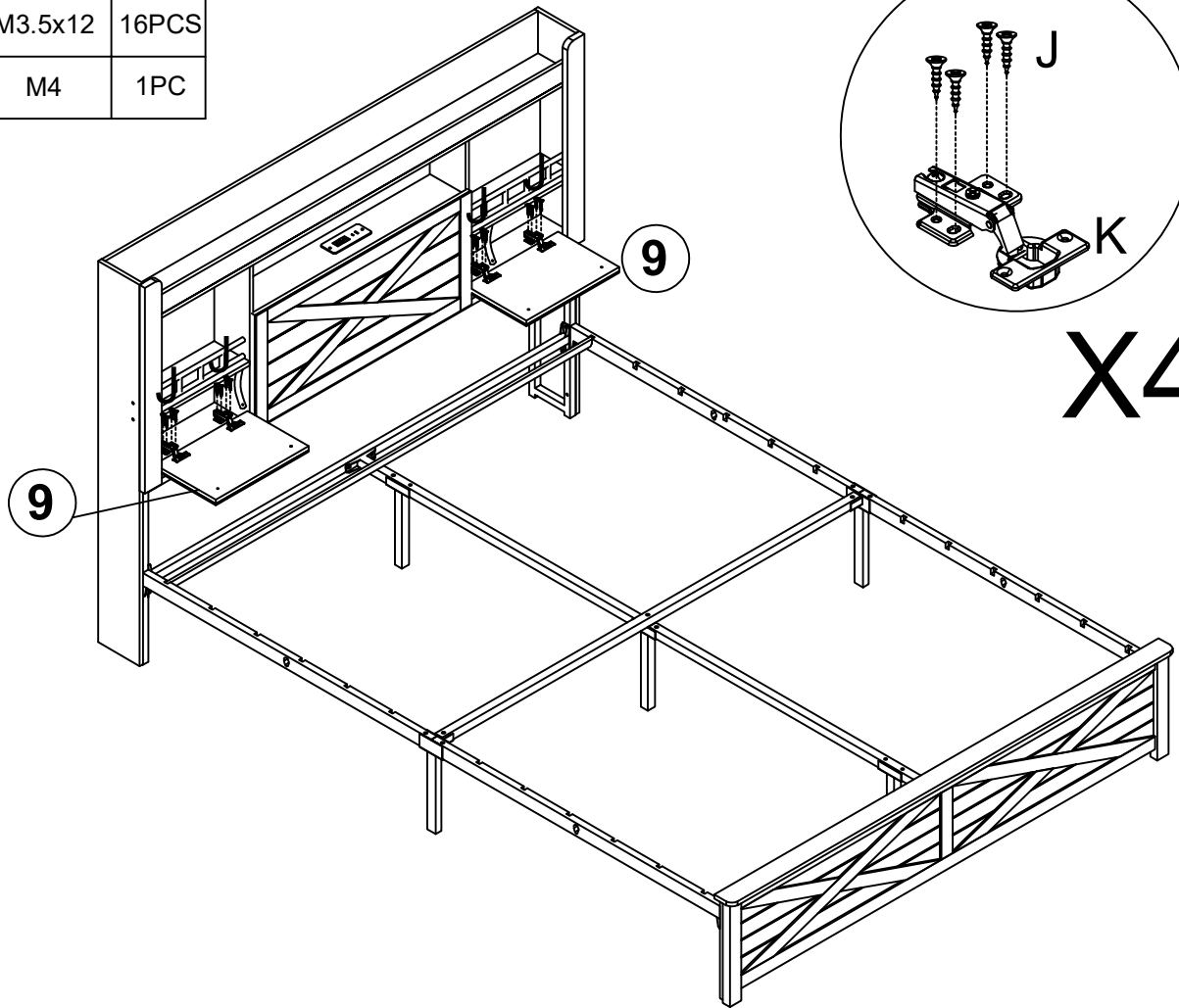
Please do not lock the screws tightly, only screw into about 50%.



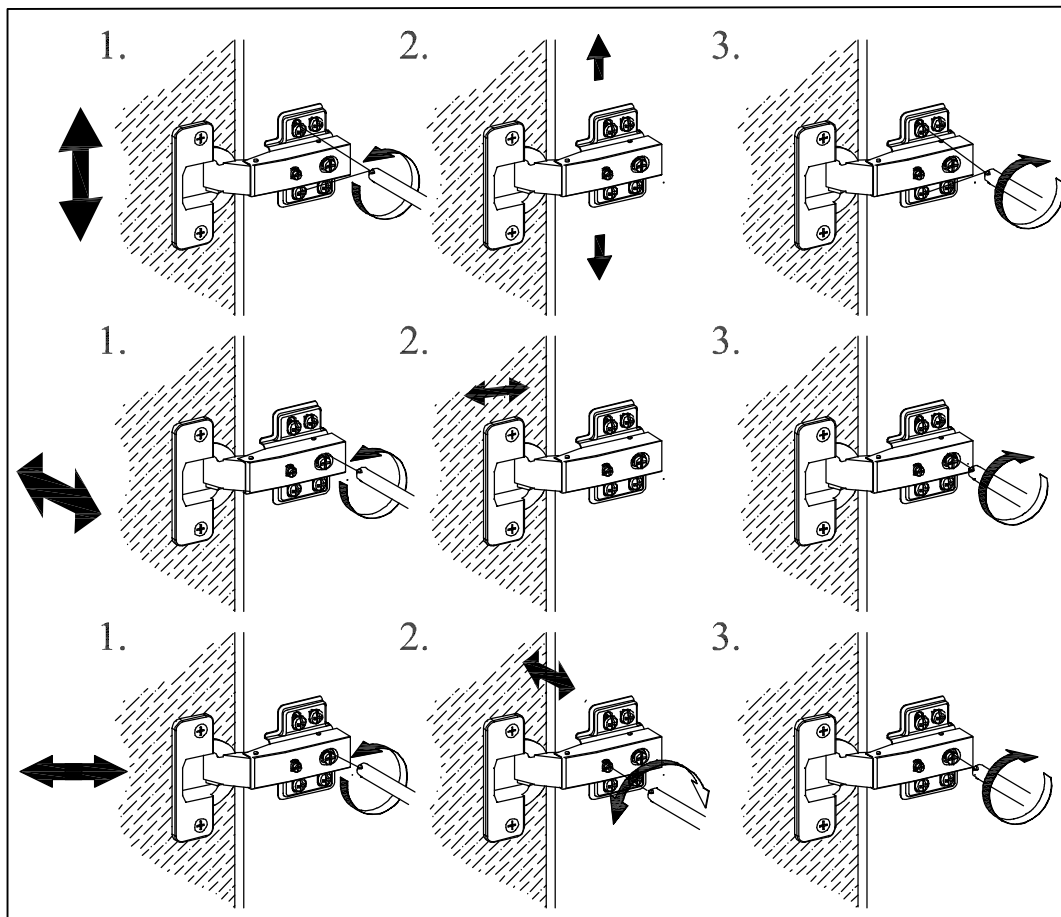
Hang parts 30 and 31 into screws M, and then tightly the screws M.

# Step 28

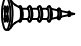

J		M3.5x12	16PCS
Y		M4	1PC

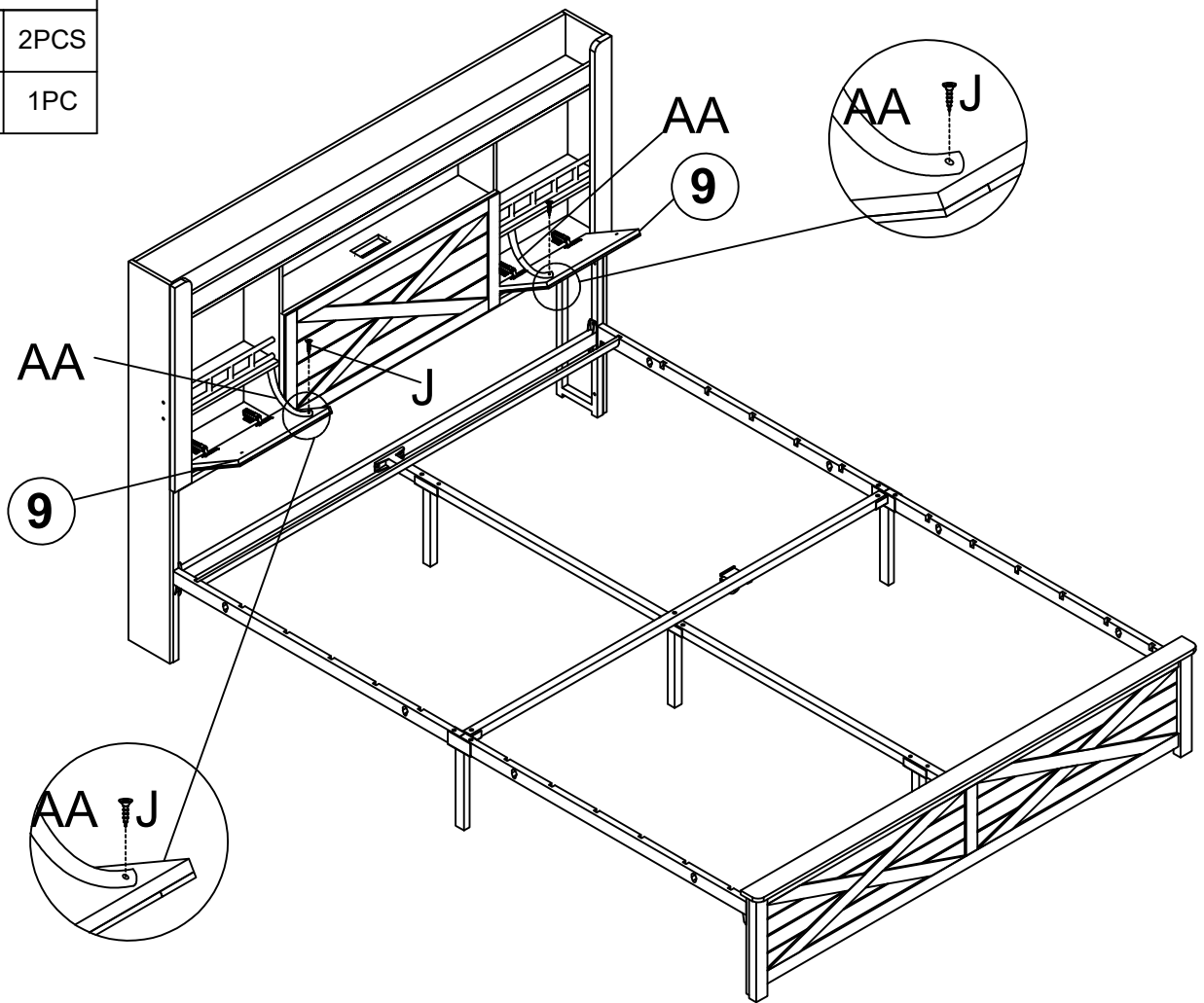


X4




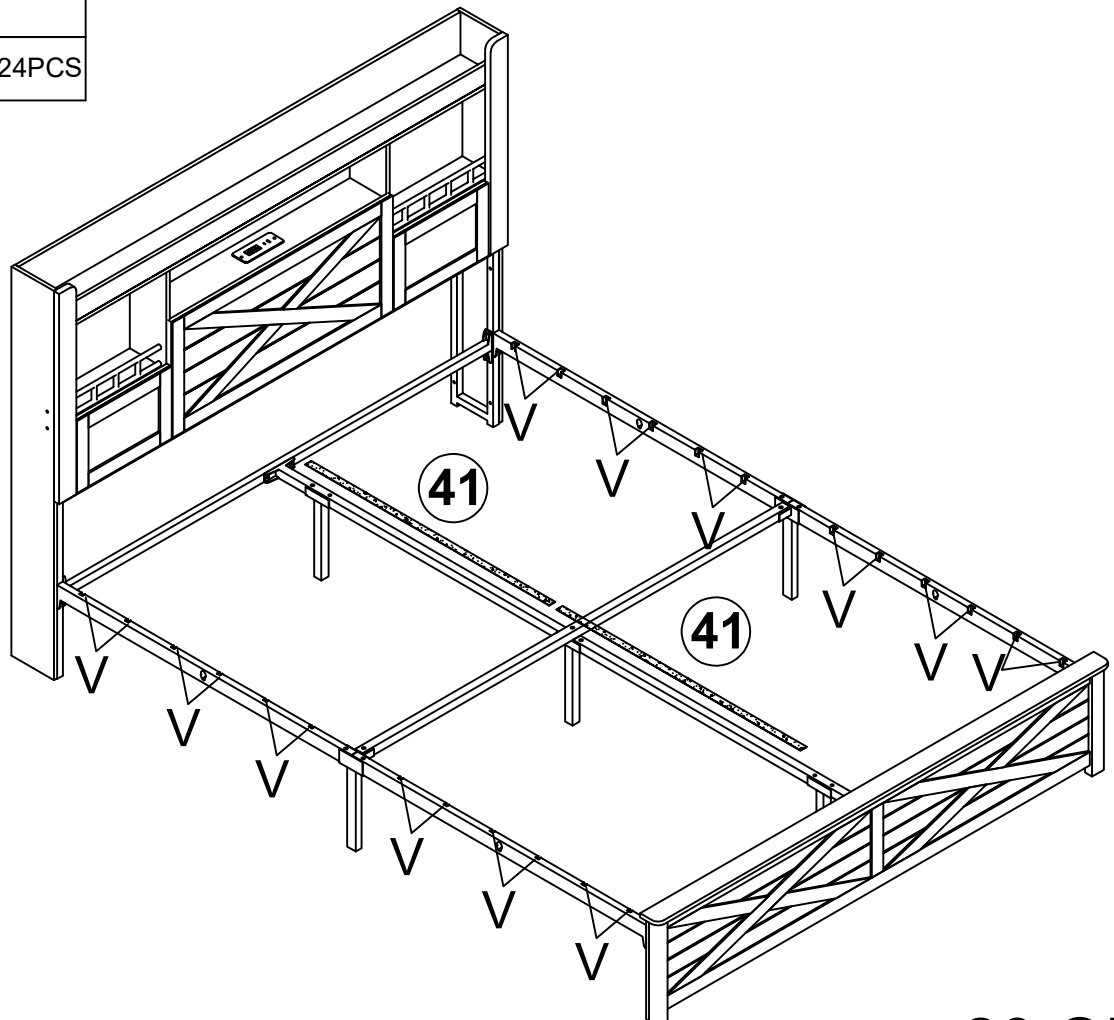
### Step 29

J		M3.5x12	2PCS
Y		M4	1PC

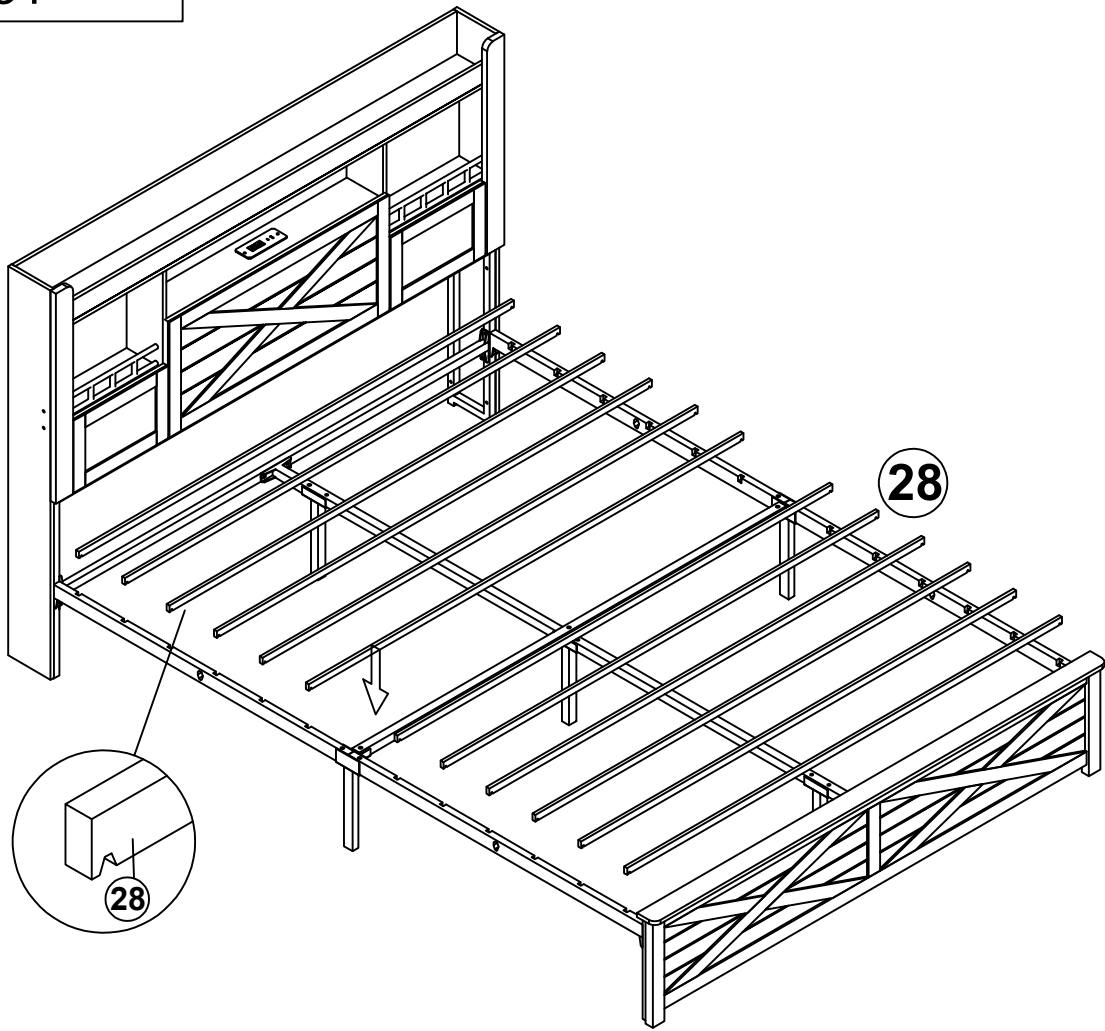


### Step 30


V			24PCS
---	--	--	-------

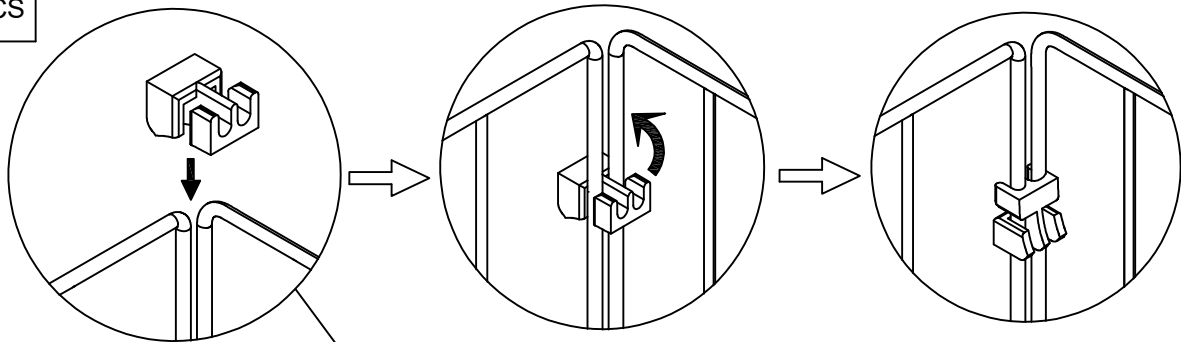


# Step 31

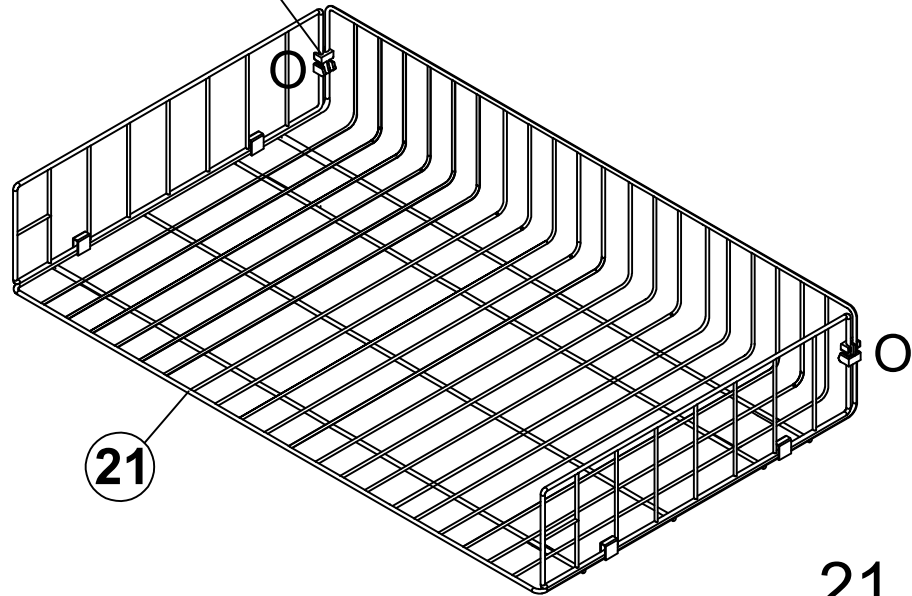


# Step 32

○  8PCS

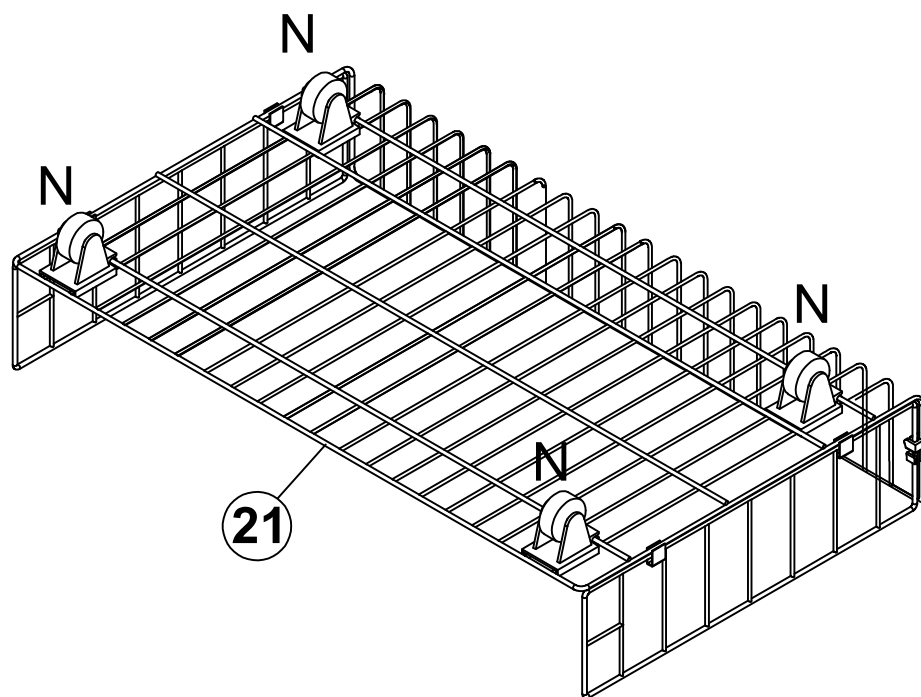


# X4

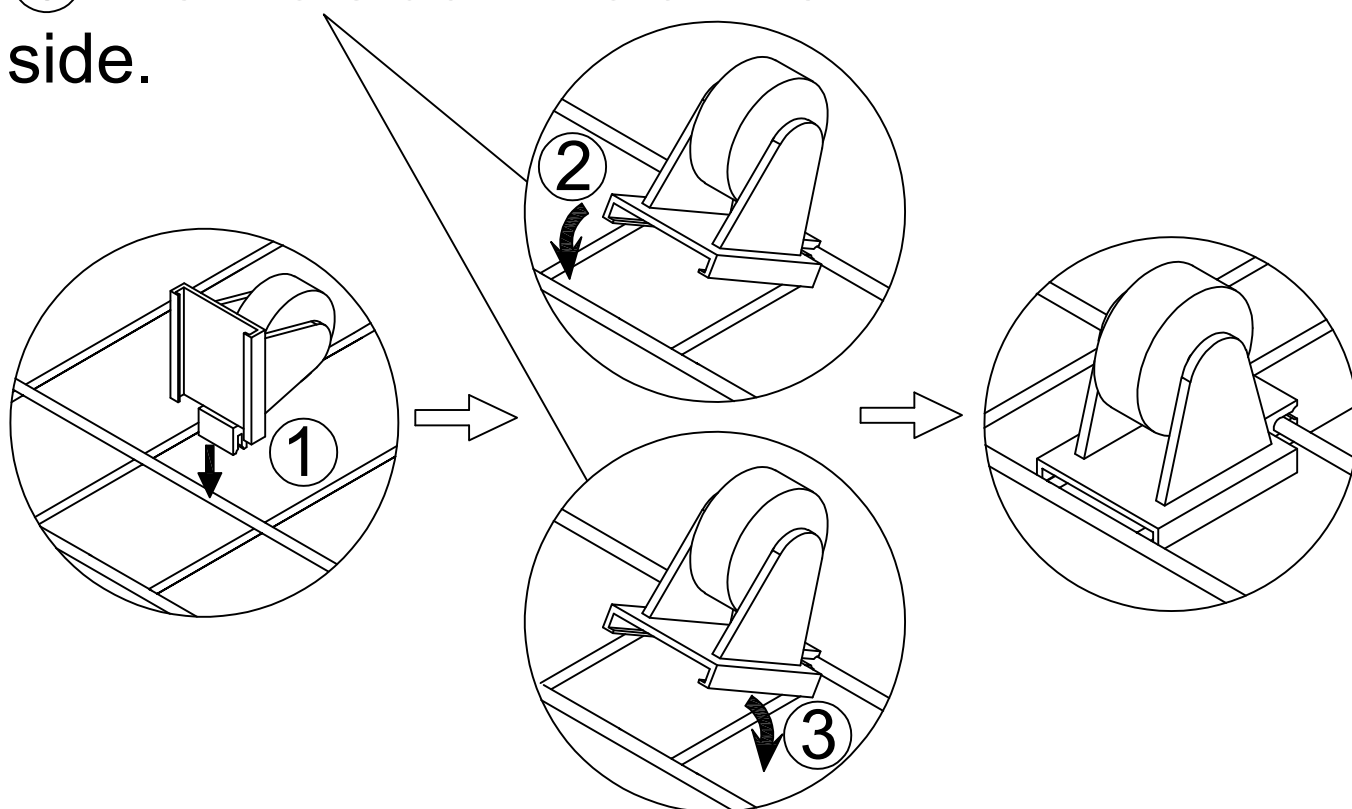








# X4

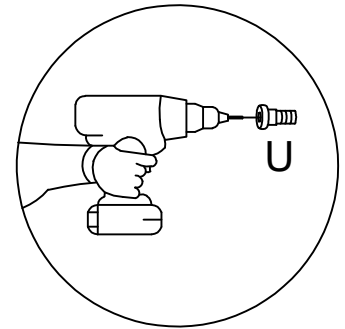
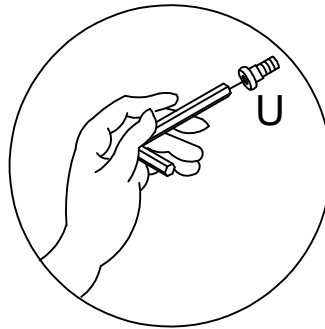
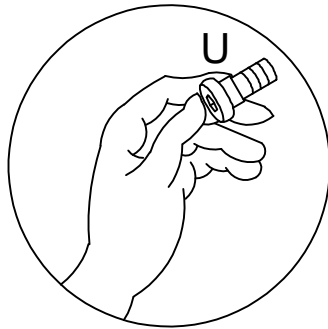
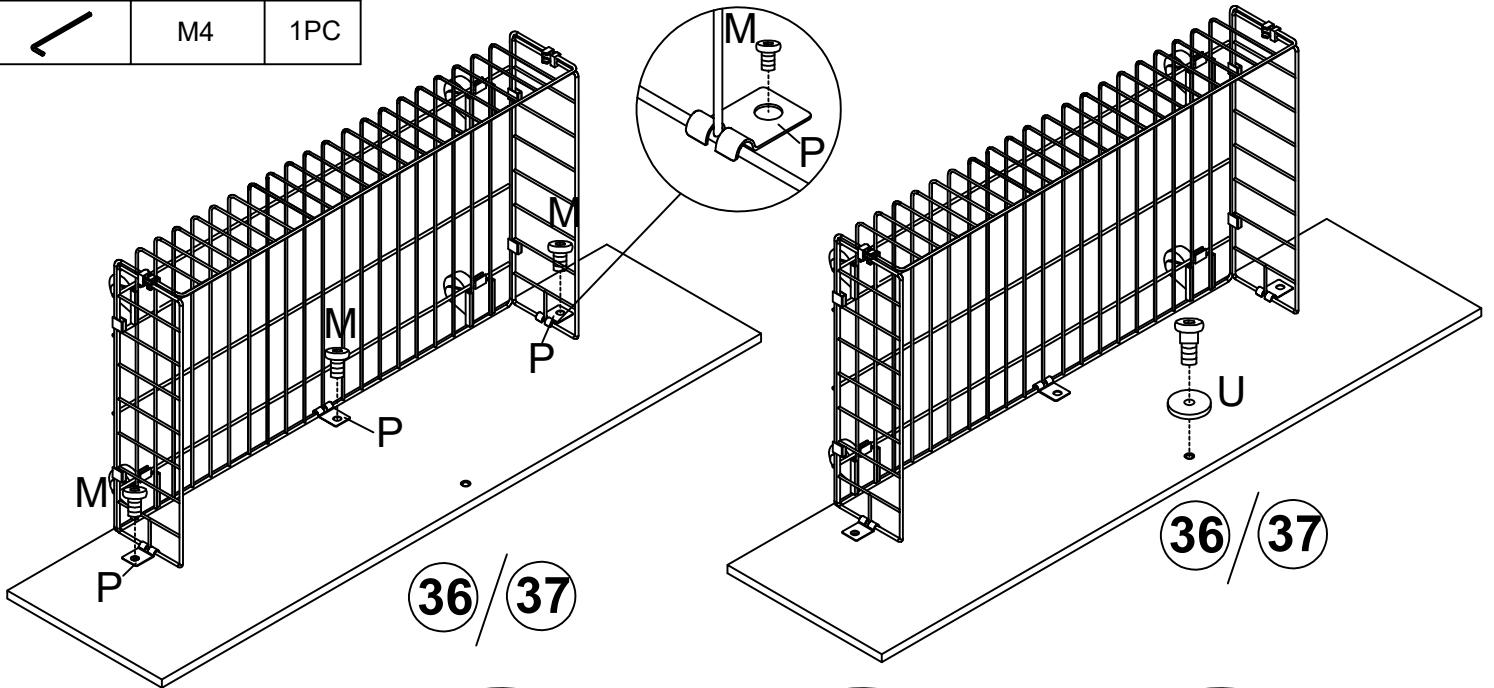


Attention: ② make sure plastic slot stuck into one side of the tube firstly, and ③ then to stuck into anther side.

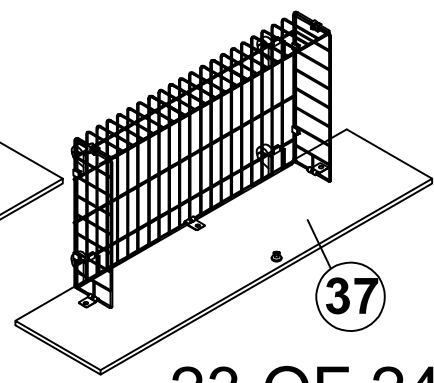
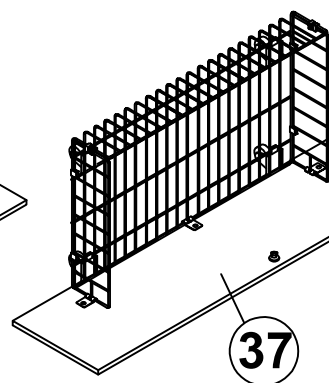
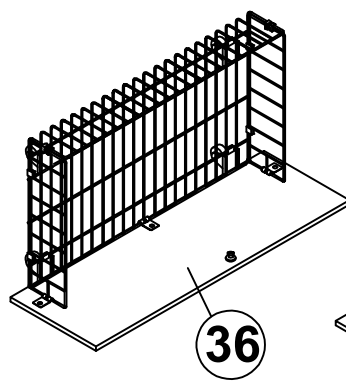
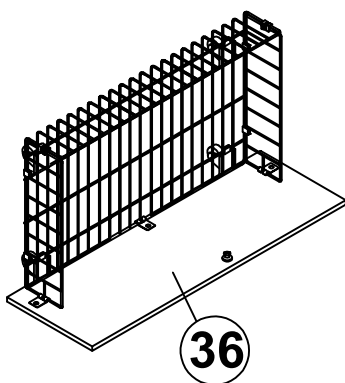


# Step 34

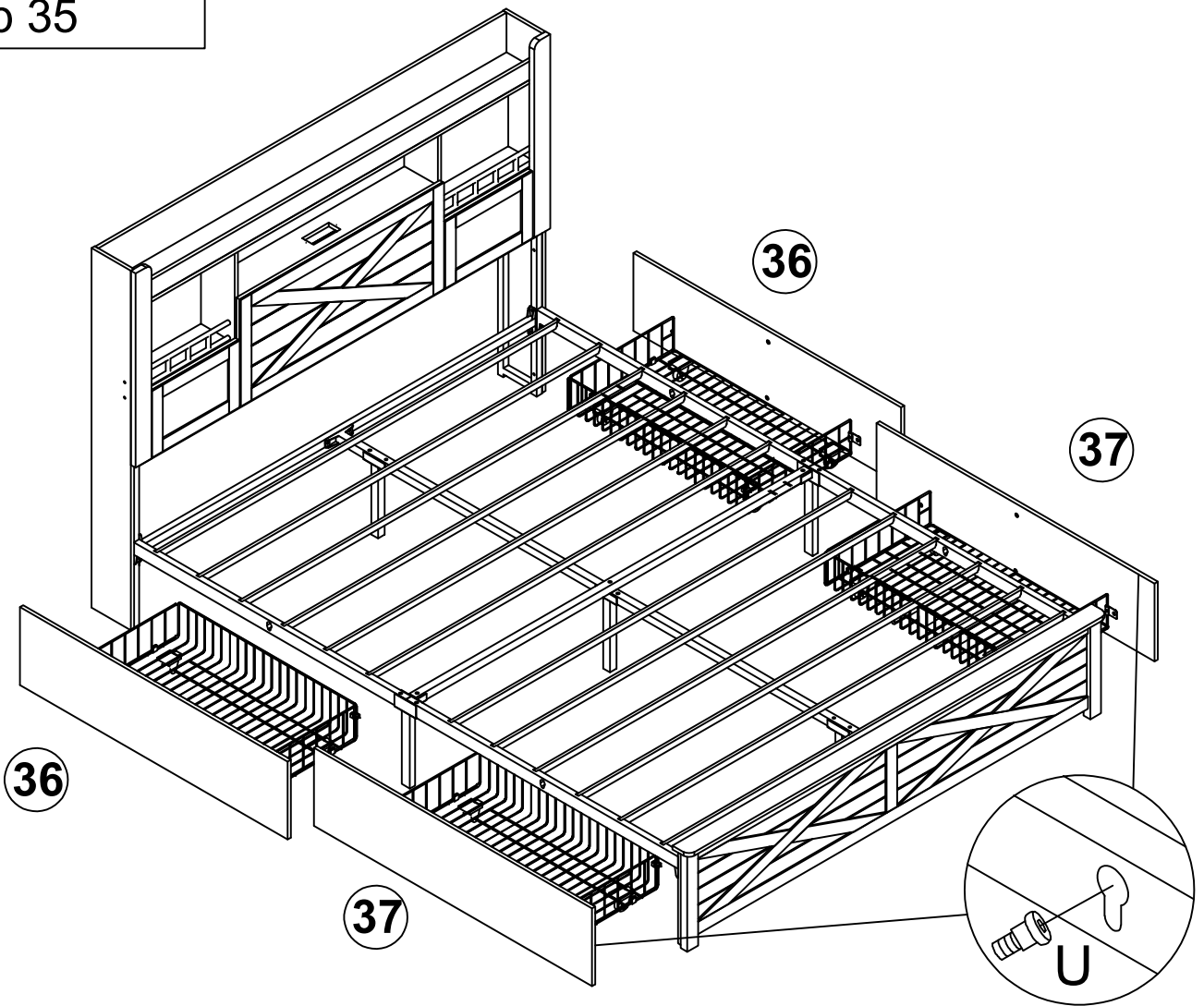
M		M6x10	12PCS
P			12PCS
U			4PCS
W		M4	1PC



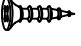


Note: Please don't fully tighten U screws to the board.



# Step 35



# Step 36

J		M3.5x12	16PCS
Y		M4	1PC
B			16PCS

