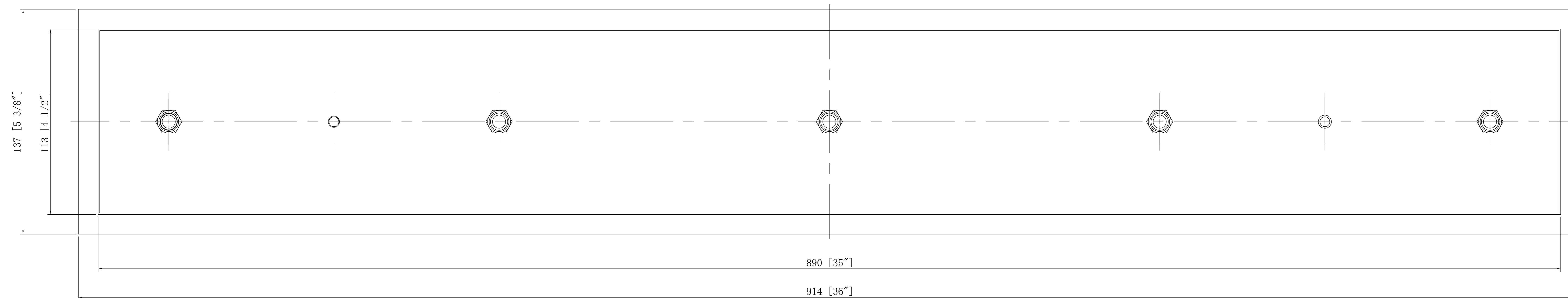
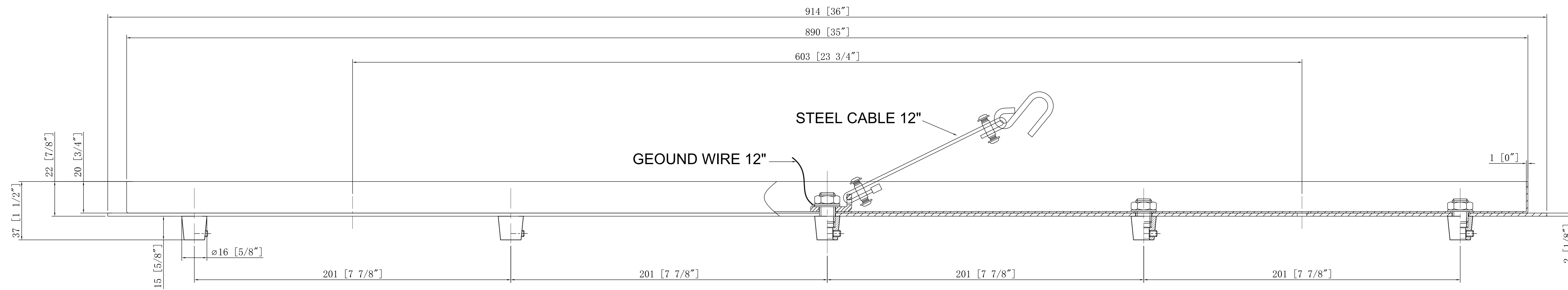
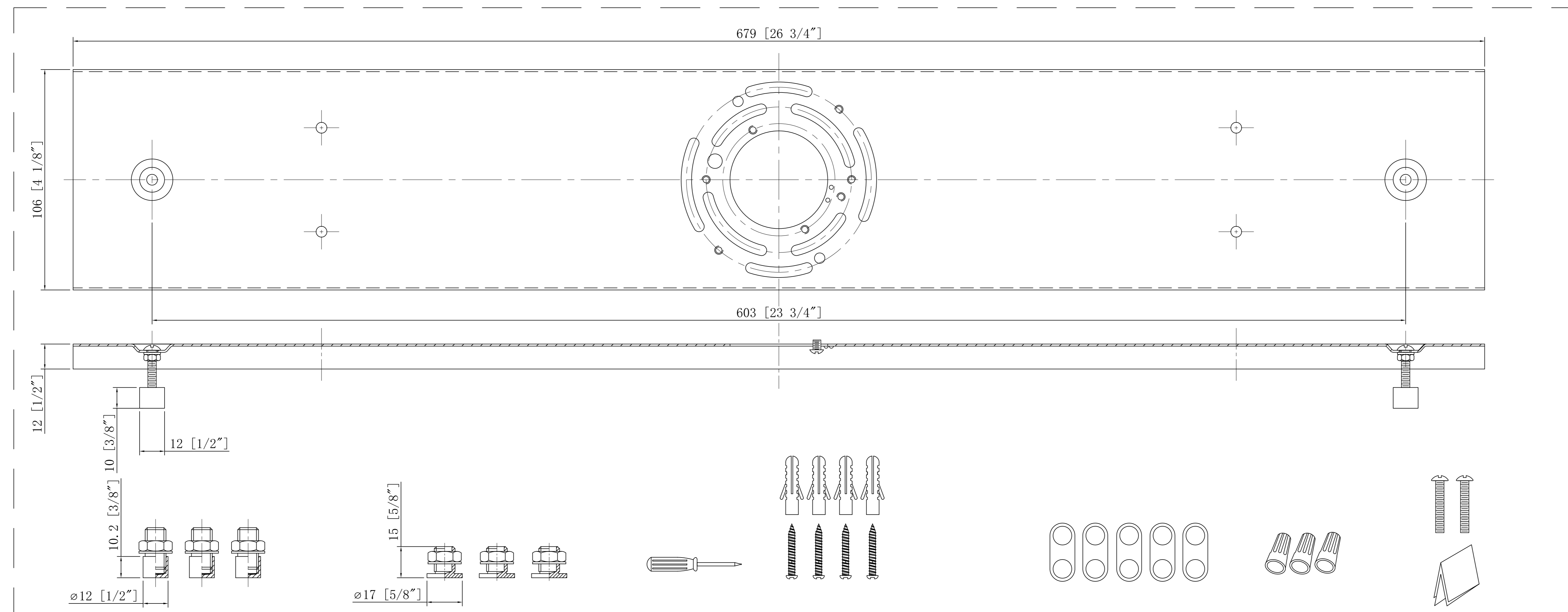


**DESIGN COPYRIGHT - 04/09/2024**  
 ALL RIGHTS RESERVED AND MAY  
 NOT BE DUPLICATED WITHOUT OUR  
 WRITTEN PERMISSION



**ITEM: 123/125**