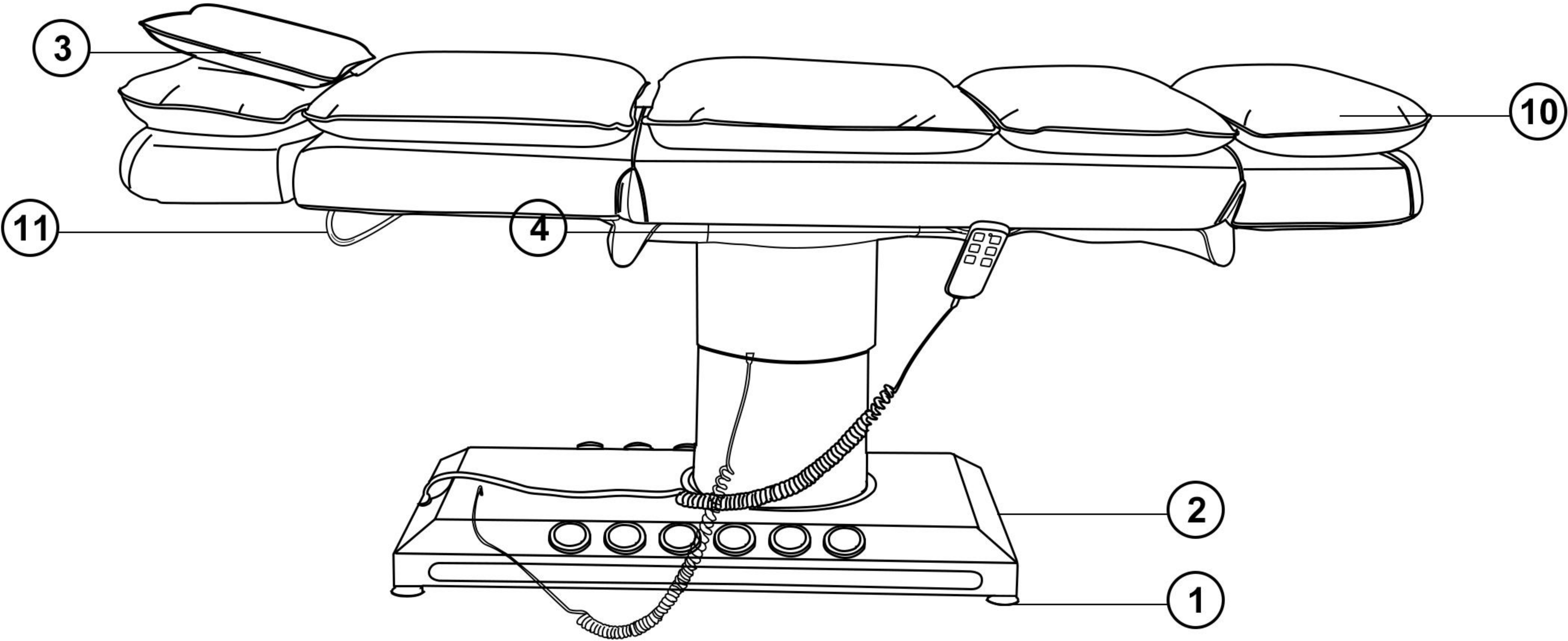
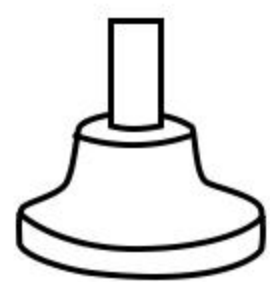
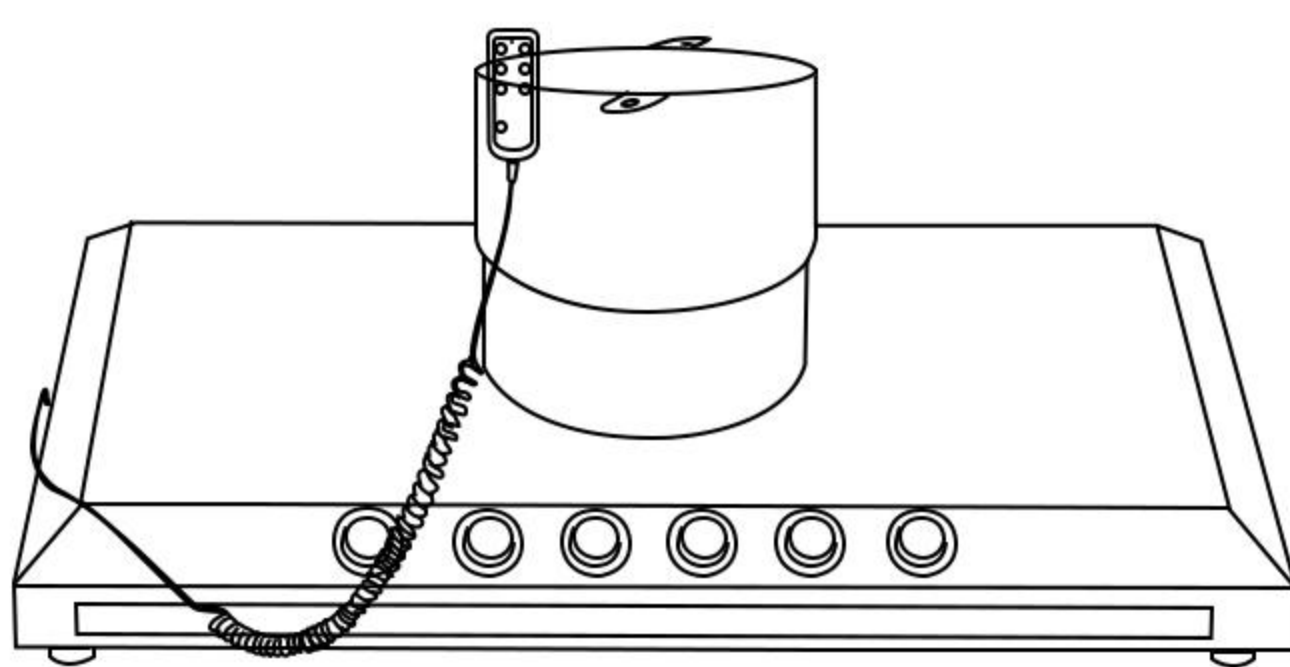



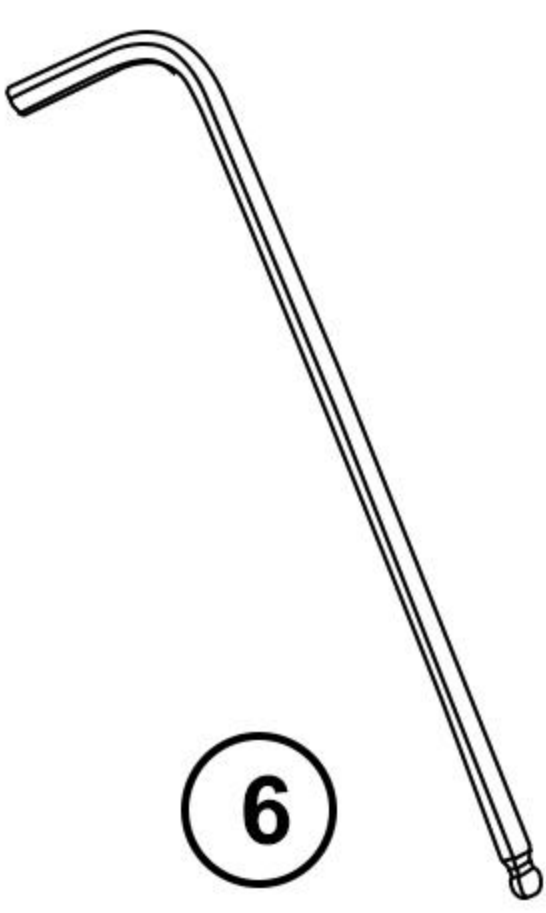



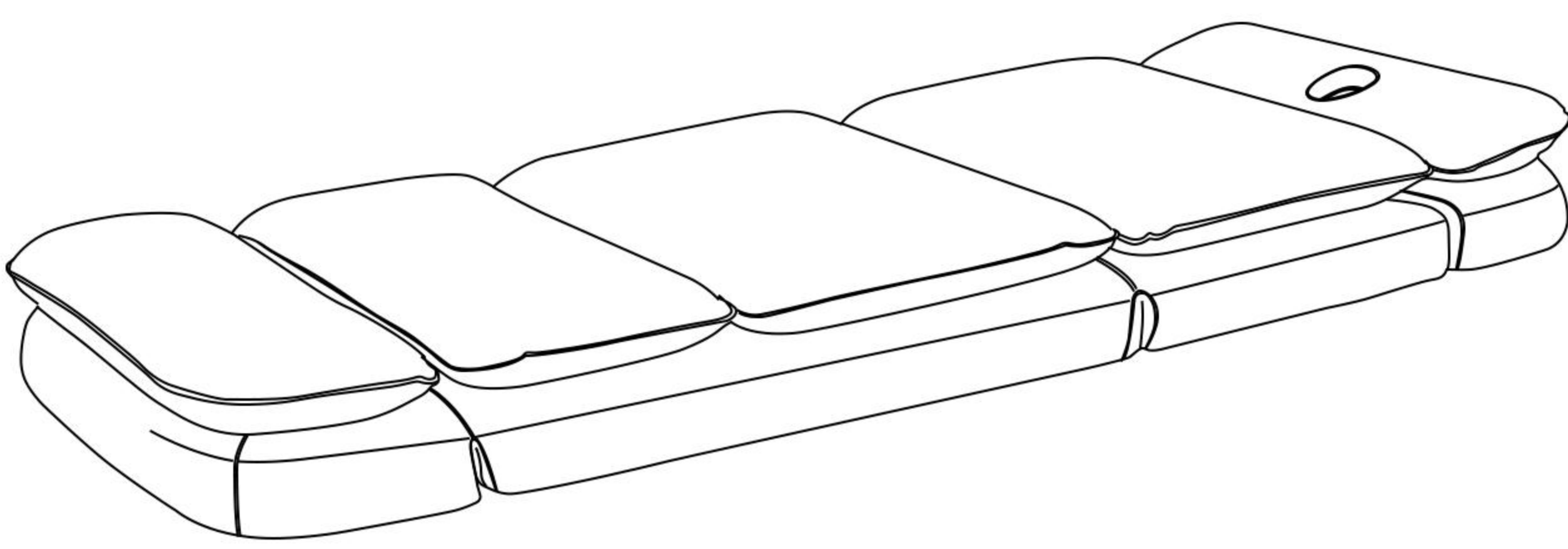
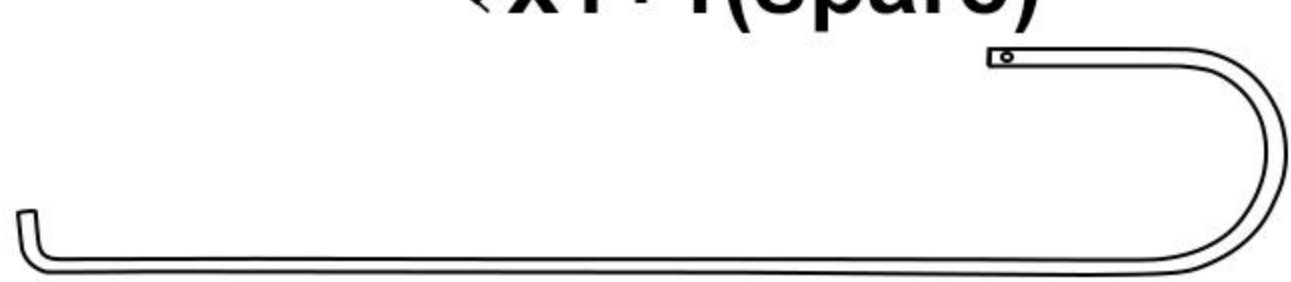


# Massage Table INSTRUCTIONS



 <p>① x4</p>	 <p>②</p>		 <p>③</p>		
 <p>④</p>	 <p>⑤</p>	 <p>⑥</p>	 <p>⑦</p>	 <p>⑧ x4+2(spare)</p>	 <p>⑨ x2+2(spare)</p>
 <p>⑩</p>				 <p>⑪ x1+1(spare)</p>	

1. Thank you for choosing our products.

## 2. Return Policy








**DO NOT RETURN TO THE STORE!** Skip the process of returning your product and contact us directly for a replacement

If you find that parts of your order are missing or damaged, we will gladly ship any needed replacement parts free of charge.

If your product's quality does not meet your expectations or you have found any sort of defect, please contact our customer service department and let us know the details of your order and any issues encountered, we will try our best to provide you with a solution. Feel free to also directly contact our manufacturer concerning needed replacement parts and they will be happy to help provide you with a solution or answer any questions you may have.

### Recommendations Before Beginning Assembly

-  • Read instructions, cover to cover
-  • Have 2-4 adults on hand for assembly depending on product size
-  • Do not assemble directly on flooring or carpet
-  • Assemble on a clean non-marring surface (example: packing foam)
-  • Save all packaging until finished





### 3. Assembly Notice:

- If you encounter any problems during assembly and find that you cannot continue, rest assured we will help you solve the situation as soon as possible. Simply keep all of the

parts of the product stored in a safe place and contact us immediately so we may assist you further.

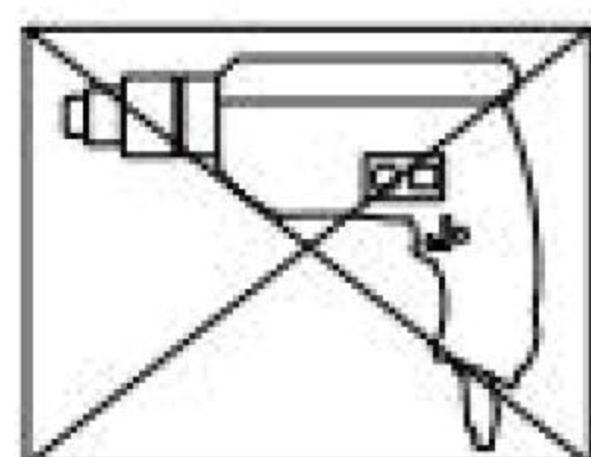
- ☒ Once you have opened your package, remove all inner hardware packages and take the parts out. One by one, Place the parts out neatly in front of you, then refer to the instructions to ensure no parts are missing. If any pieces are found missing, please carefully look in the box first, as the hardware packaging might have torn making the hardware spill in the box.
- ☒ Some key parts of your product may be stored and hidden inside of other parts. Please open any zippered or hook & loop storage compartments to remove all parts. (example: cushions and legs being stored in the underside of a sofa)
- ☒ **IMPORTANT:** When setting up your product, **DO NOT INSTALL THE SCREWS ALL THE WAY IN THE BEGINNING.** Place each screw into their proper hole and use your hand to twist the screw halfway. Twist all the screws in halfway to ensure the holes will match up properly and the product is level on the ground. When everything seems fitted, then tighten the screws.
- ☒ When you have completed assembly, we suggest you have more than one person to assist you with lifting and placing the product.

#### Care & Maintenance

- 🚫  ● Do not put hot items directly on furniture surface
- 🚫  ● Do not clean furniture with harsh cleansers or polish
- 🚫  ● Children should not climb or jump on the furniture
- ✓  ● Dust and pick-up spills using a clean, non-colored, lint-free cloth

#### Caution

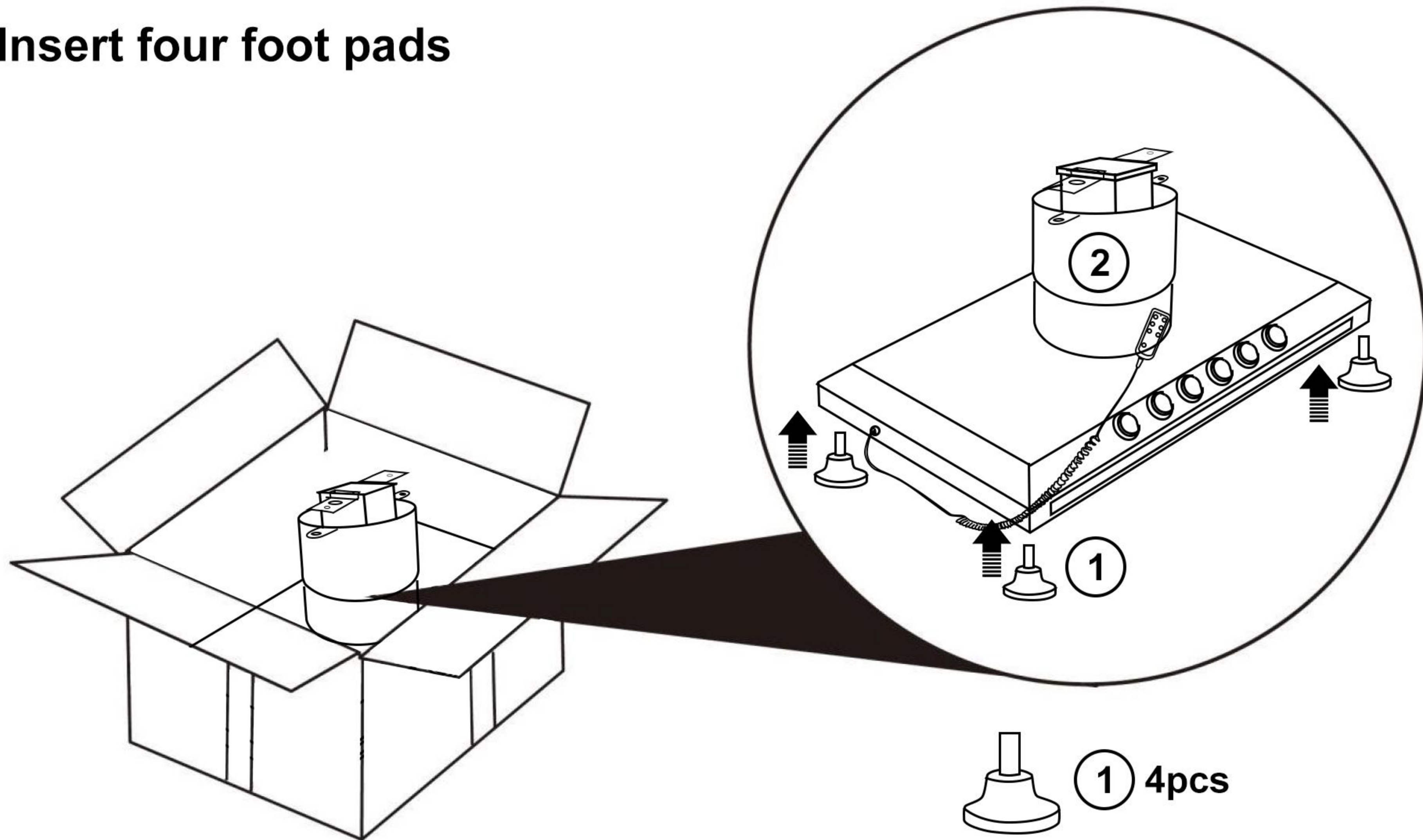
- This product contains small components. Please ensure that they are kept away from small children.
- Do not use power tools to assemble your furniture. Power tools may strip or damage the parts.



## I. Operating Steps

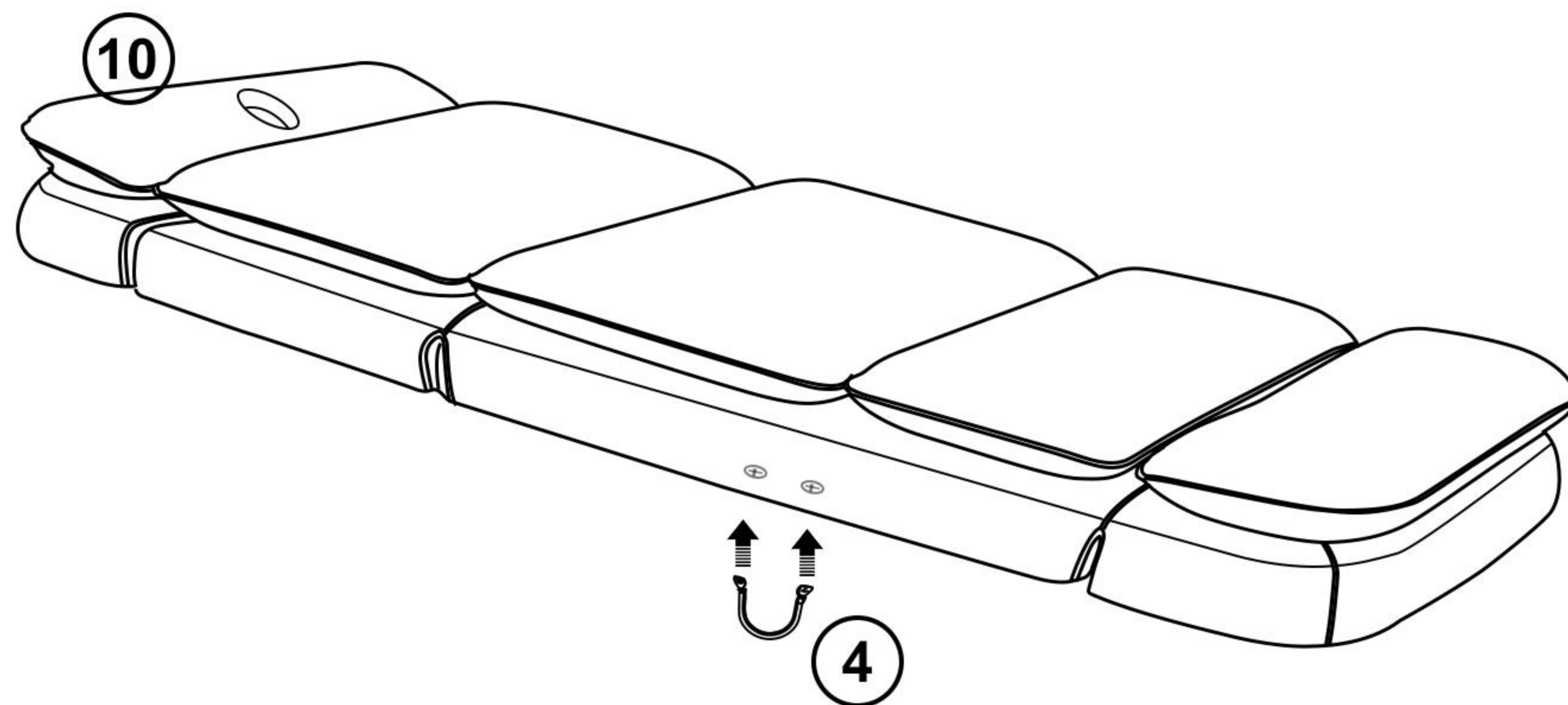
### step 1

Insert four foot pads



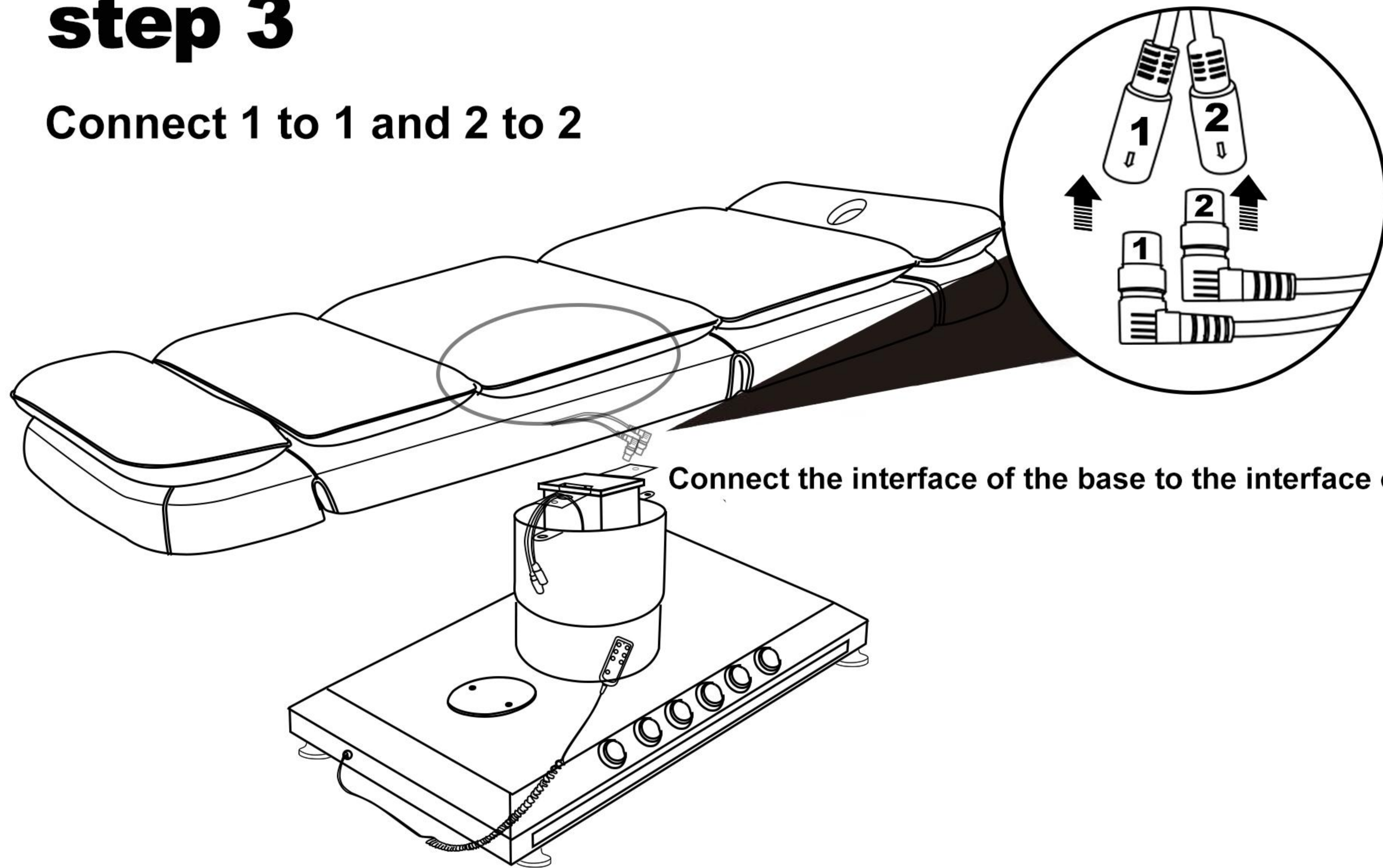
### step 2

Unscrew the screws at the bottom of the bed surface, align ④ and tighten the screws



# step 3

Connect 1 to 1 and 2 to 2

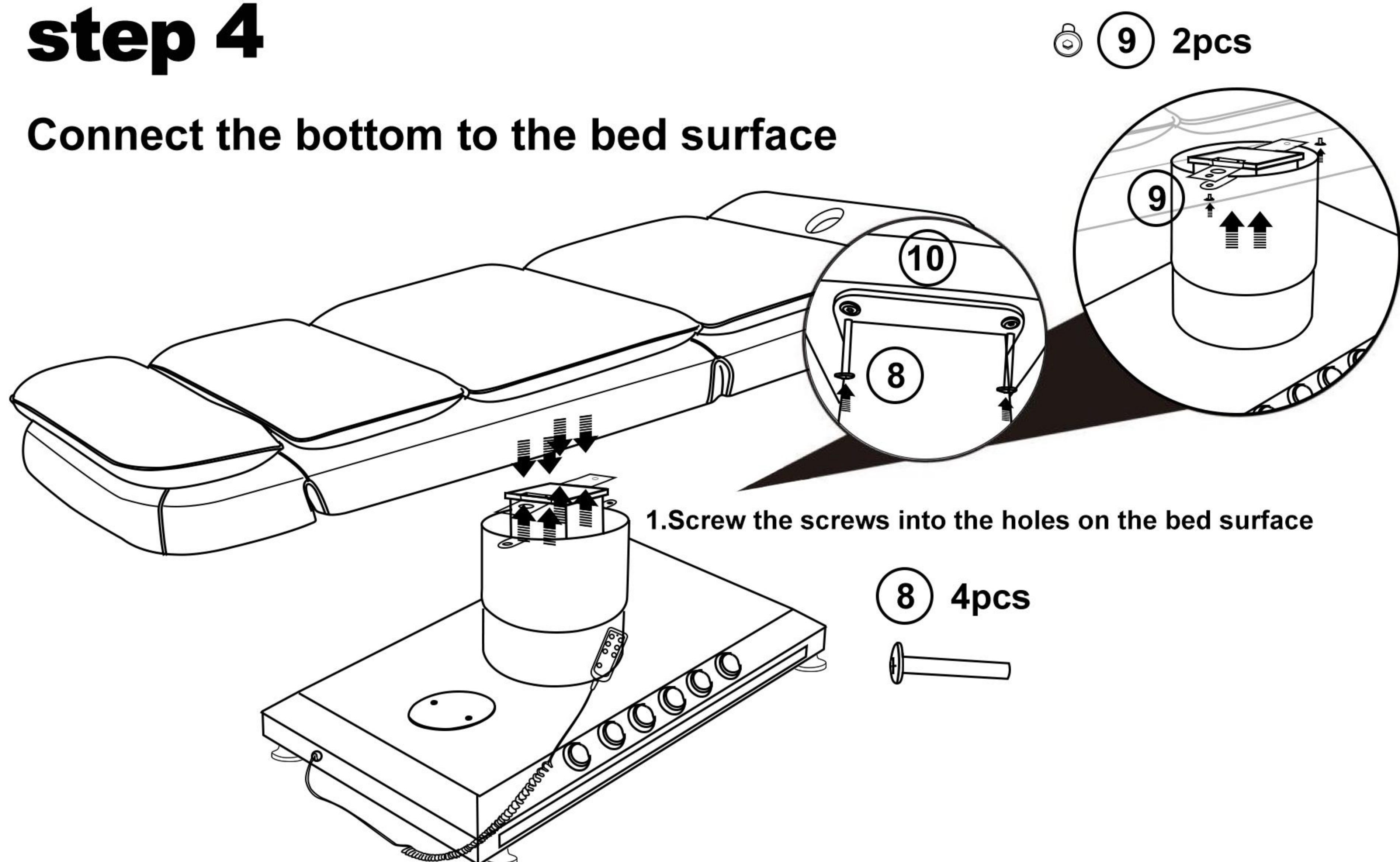


Connect the interface of the base to the interface of the bed surface

2.Lift the shell, align it with the holes and screw on the screws

# step 4

Connect the bottom to the bed surface



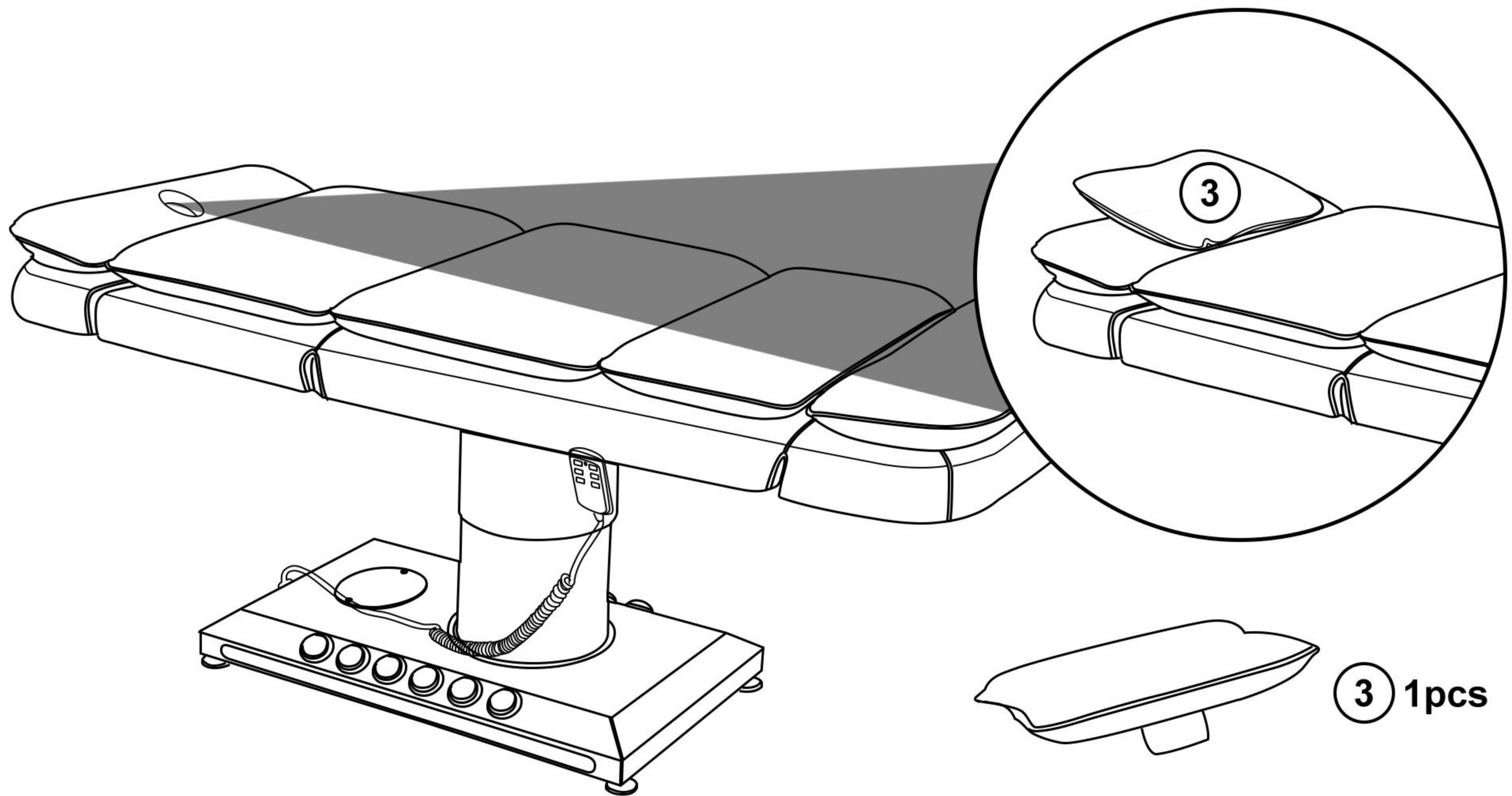
9 2pcs

1.Screw the screws into the holes on the bed surface

8 4pcs

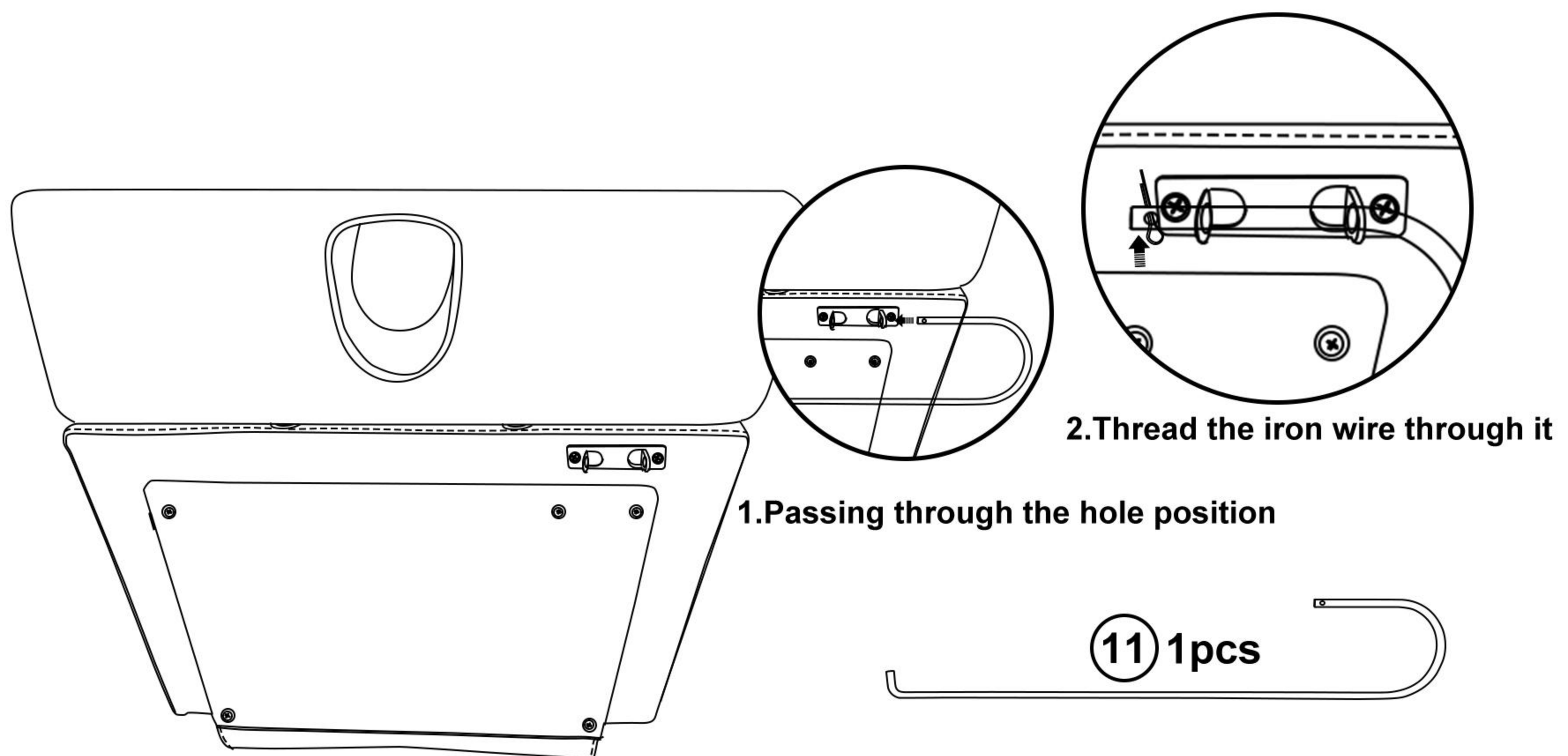
# step 5

Insert the headrest



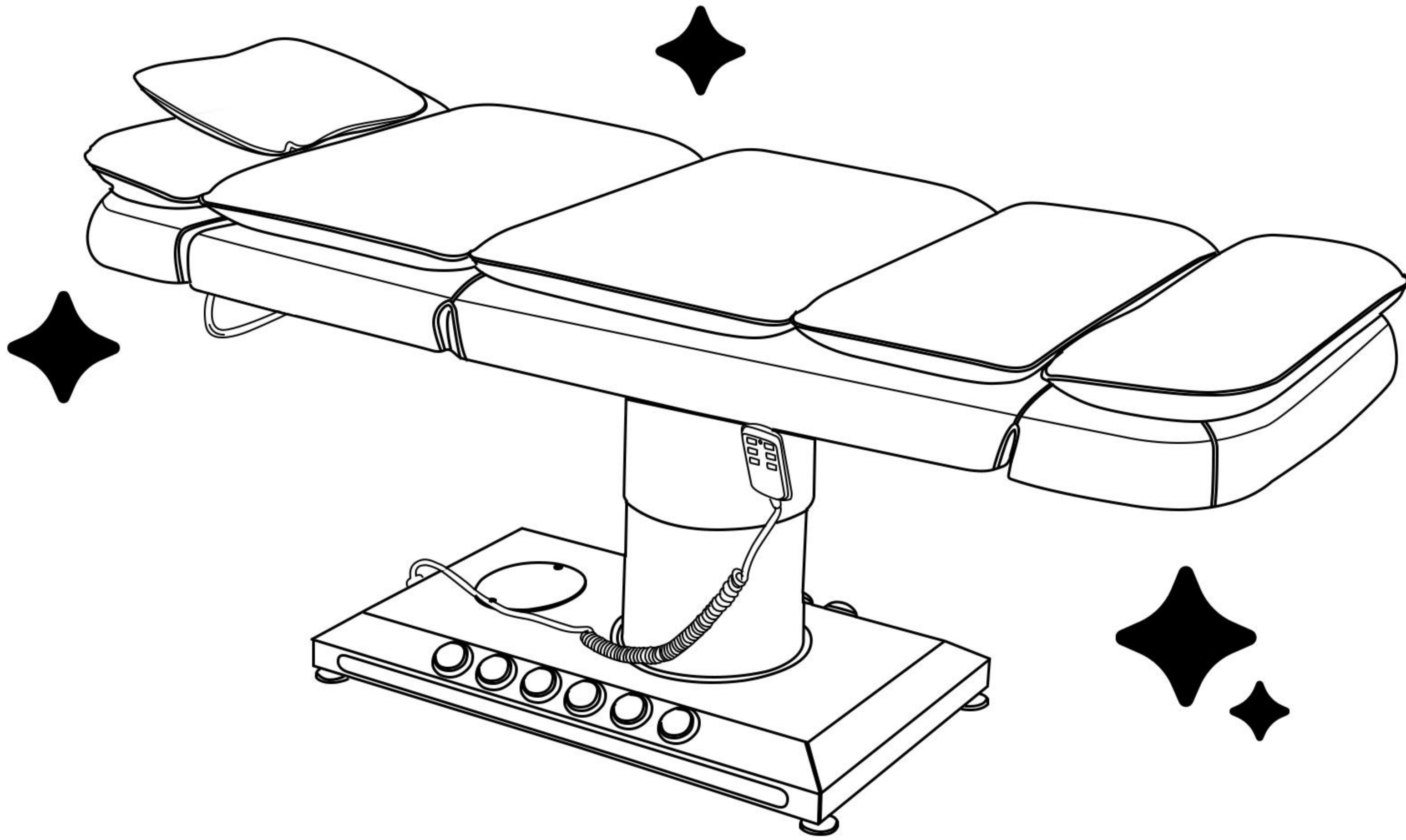
# step 6

Insert the towel rack into the backrest



# step 7

Complete.



The electric beauty bed is operating well.

#### 1. Final inspection and testing

(1) Inspect all components: Visually and physically check whether all screws are securely connected. Connect, tighten and position correctly.

(2) Conduct a test: Before use, briefly turn on the power of the device. Test electric beauty Bed capacity function.

## **II、 Notes and Reminders**

**Maintenance Advice:** Check the tightness of screws monthly, and apply lubricating oil regularly at the motor linkage.

**Fault Resolution:** If the remote control fails to work, first check the motor or reset the control box (restart after a TEN-second power outage).

## **III 、 Precautions for Using Electric Beauty Beds**

1. The electric beauty bed should be placed on a stable surface and always kept level.

Please before use Check whether these conditions are met.

2. Do not apply excessive force when in use to avoid damaging the bed. If any abnormalities are found If there is any abnormal sound or other abnormal phenomenon, please stop using it immediately.

3. If any damage is found, please contact a professional maintenance person for inspection And repair it to avoid potential safety issues.

4. Before installation, please clean and disinfect the bed frame and plastic cover to ensure their hygiene and safety.

5. Pay attention to adjusting the height of the bed surface to avoid unnecessary dangers. All beauty beds are equipped with height adjustment stop devices to prevent the bed surface from being opened too high And it causes danger.

6. Ensure load balancing when in use to avoid damaging the motor of the equipment. Any imbalance The load must be corrected by professionals.