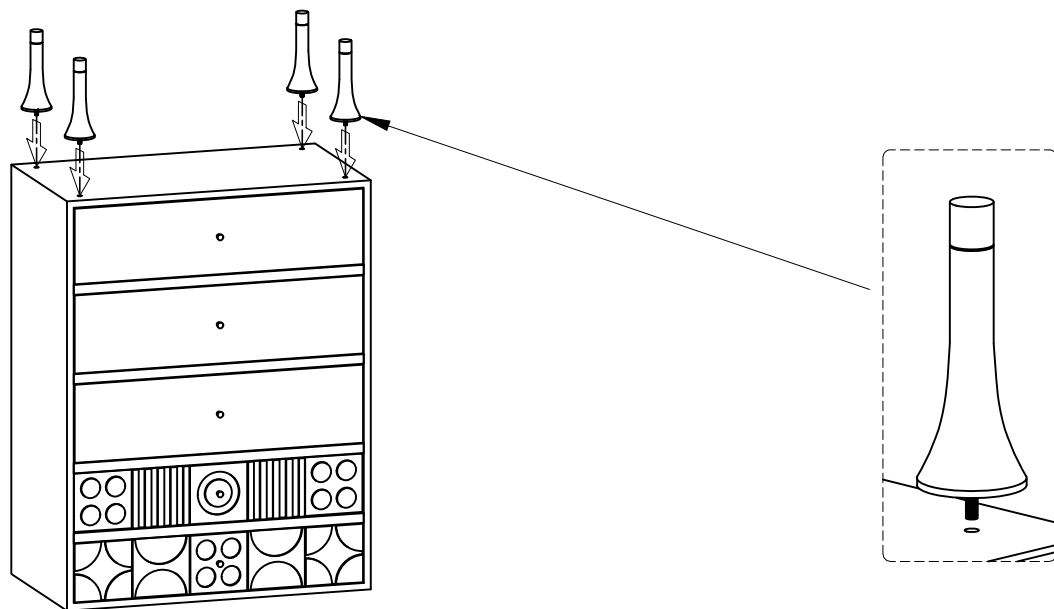
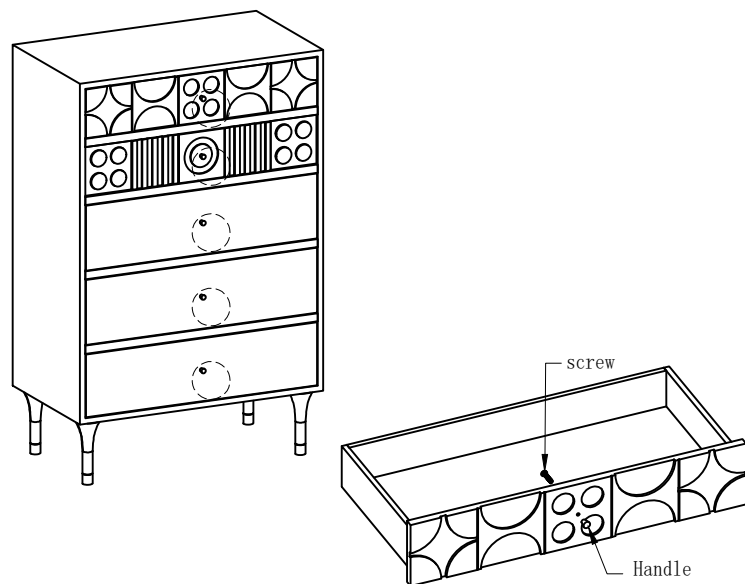


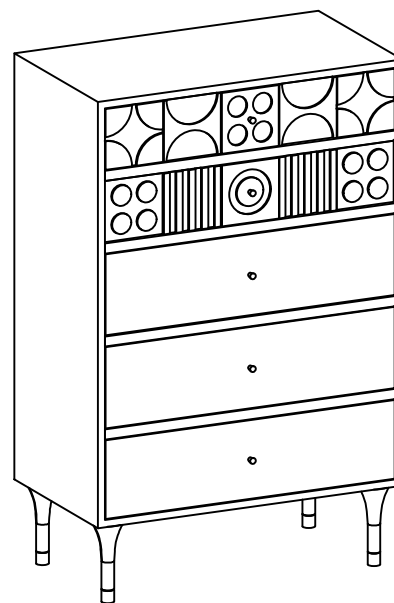
1. Lay the cabinet on its side or upside down and screw the solid wood feet into the holes in the bottom of the cabinet.



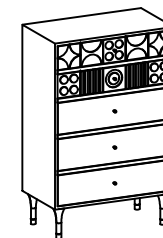
2. Installation of drawer handles



3. The installation is complete




Installation instruction



CA8031ADW80 Installation

The number of people needed for installation: 2

- ① Please read the manual carefully before installing this product. And strictly follow the installation process
- ② Please take good care of this manual for your next installation
- ③ Note: Before installation, screw all the screws to 1/2 of the length of the installation. After all screws are half screwed in, tighten them all together.

Parts list		On a red ribbon are furniture installation accessories		
Serial number	Shape	Name	Quantity required for installation	Spare quantity
A		Solid wood feet	4	0
B				
C				
D				
E				
F				
G				