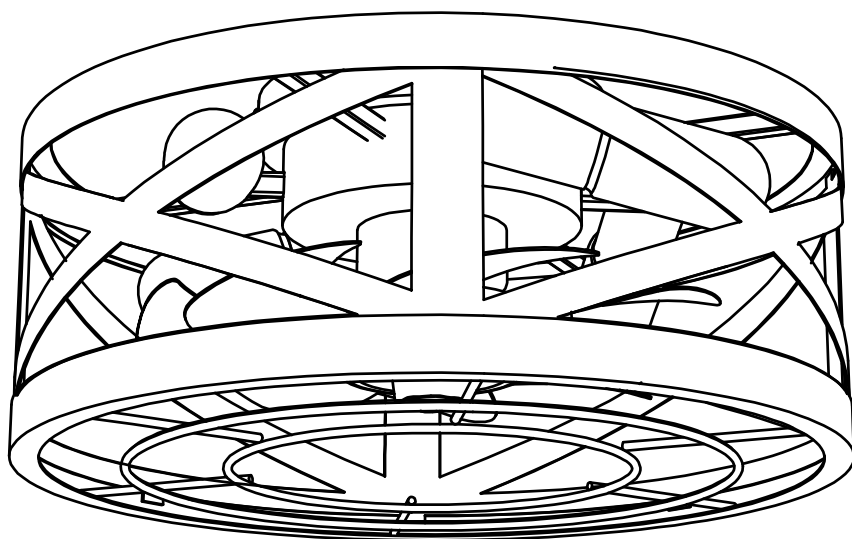


INSTALLATION MANUAL

CEILING FAN WITH LIGHTS

Model No.: FS8905-01



TOOLS REQUIRED



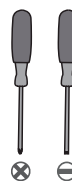
Ladder



Pliers



Wire
Strippers


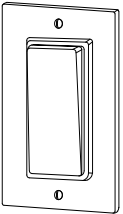

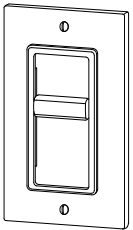
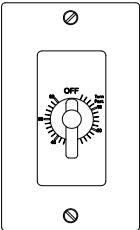
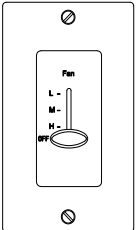
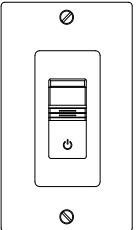


Screwdrivers

Switch Selection

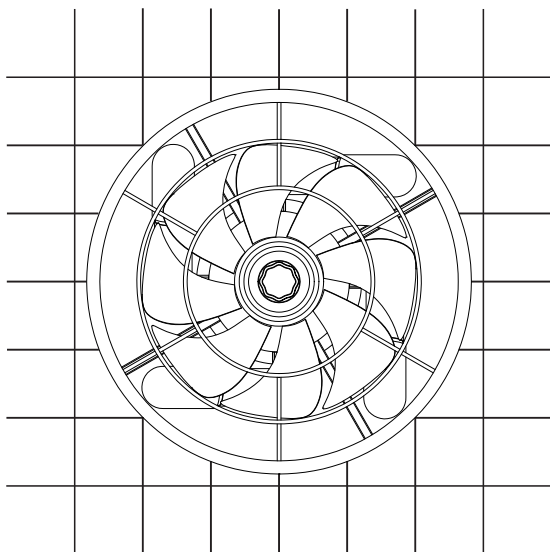
Note: Using a dimmer switch to control the fan may damage the fan. To reduce the risk of fire or electrical shock, do not use a dimmer switch to control the fan.

The recommended switches are as follows:

 Recommended:	 Single Pole Switch (Not Included)			
 Not Recommended:	 Dimmer Switch	 Timer Switch	 Fan Speed Control Switch	 Motion Sensor Switch

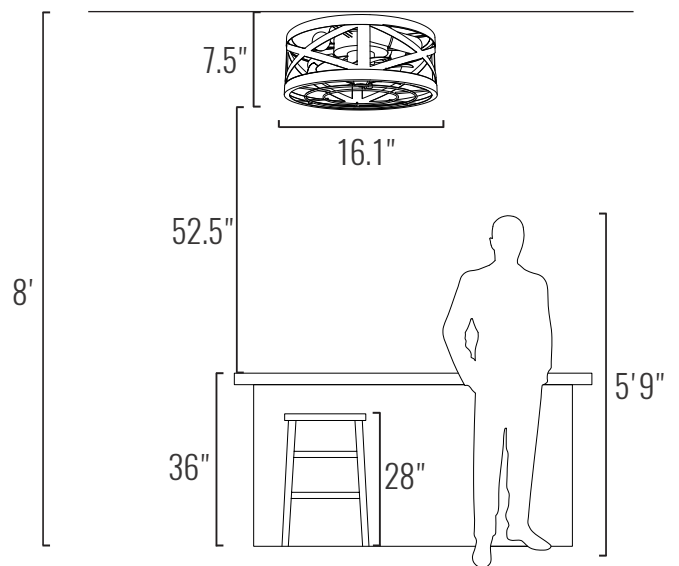
Installation Recommended

Room Size:



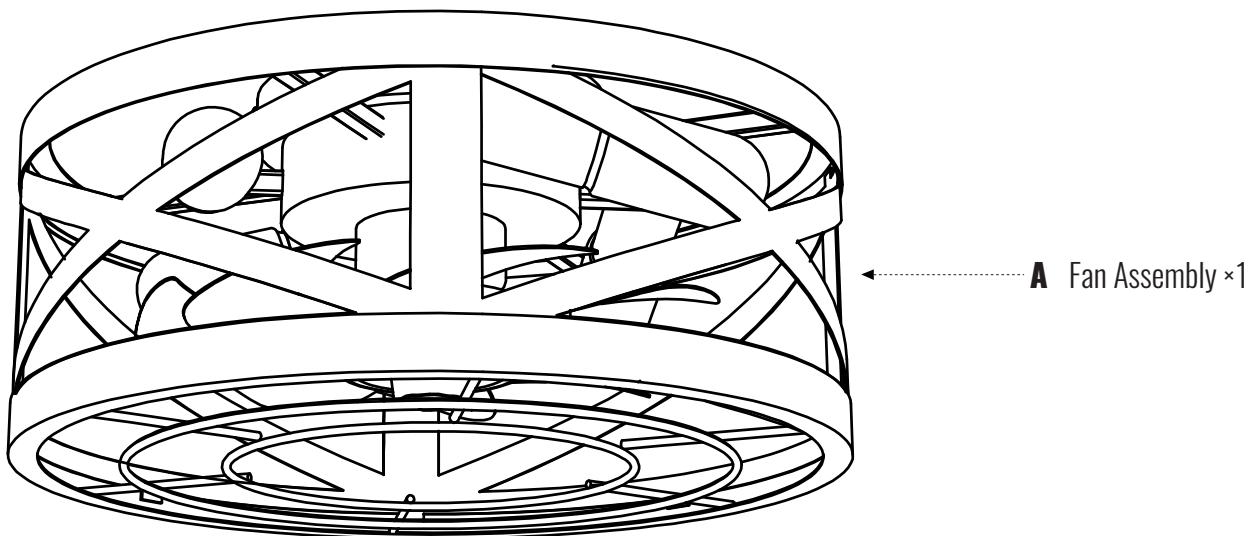
UP TO 8 ft x 10 ft

Room Height:

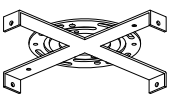










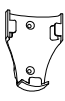



Recommended ceiling height: 7 to 10 ft.

PACKING LIST



INSTALLATION KIT

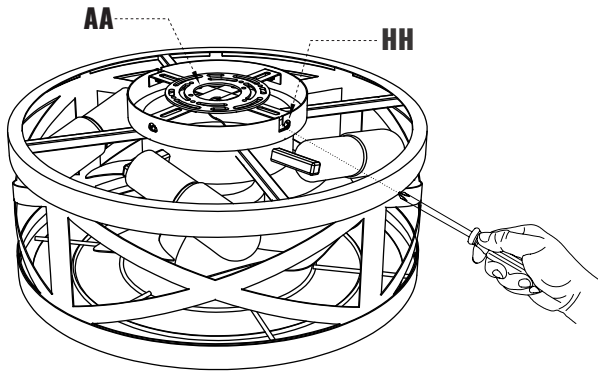
AA  Mounting Bracket 1×	BB  Wire Nut 3×	CC  Outlet Box Screw 2×	DD  Flat Washer 2×	
EE  Wood Screw 4×	FF  Plastic Anchor 4×	GG  "S" Hook 1×	HH  Canopy Screw 4×	
II  Remote Holder Anchor 2×	JJ  Remote Holder Screw 2×	KK  Remote Control 1×	LL  Remote Holder 1×	MM  Pair of Gloves 1×

NOTE:

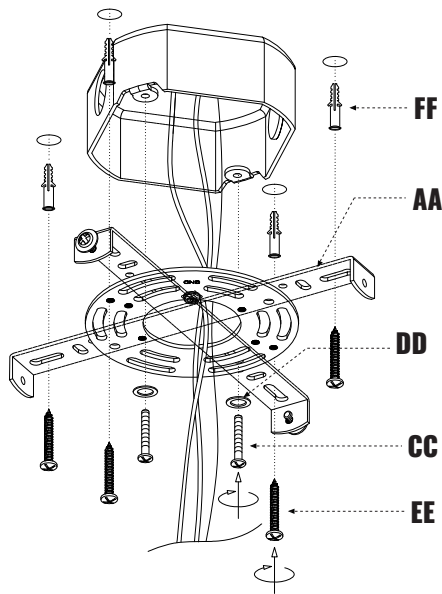
1. The listed quantity is for installation, extra hardware may be included.
2. Mounting bracket (AA) and canopy screws (HH) are pre-installed on fan assembly (A).

INSTALLATION

1. Install the Mounting Bracket



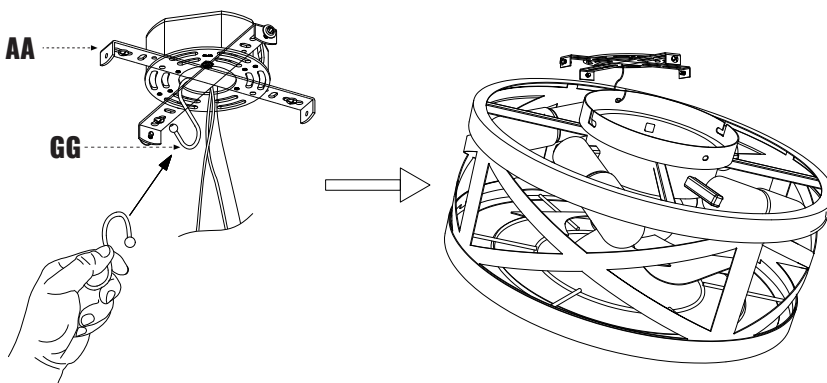
Step 1: Loosen and remove the canopy screws (HH) from the round holes, and loosen the canopy screws (HH) in the 'L' holes but do not remove them, and then remove the mounting bracket (AA) from the canopy.



Step 2: Mark and drill screw holes in the ceiling, then insert the plastic anchors (FF).

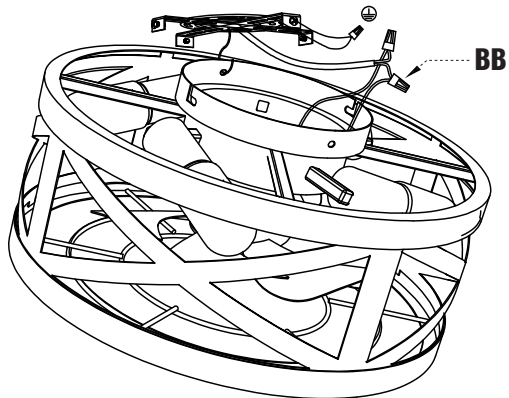
Step 3: Use outlet box screws (CC) and flat washers (DD) to fix the mounting bracket (AA) to the outlet box, and then tighten it with wood screws (EE).

2. Hang the Fan



Hang the fixture onto the mounting bracket (AA) with "S" hook (GG) provided.

3. Connect the Wires



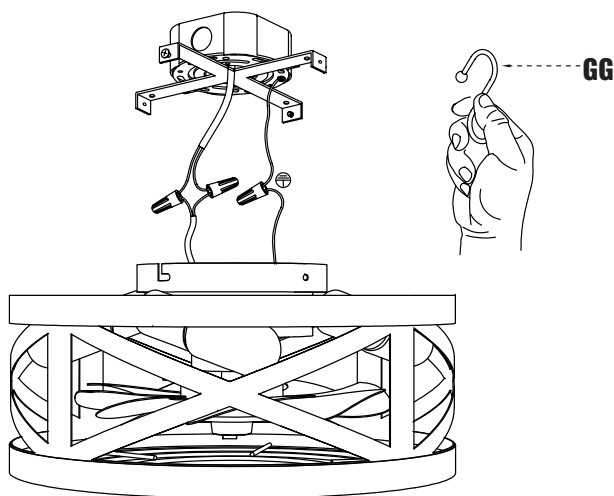
Step 1: Connect the wires from the fan to the house supply wires with wire nuts (BB), ground wire (green, green/yellow, or bare copper) to ground wire, neutral wire (white) to neutral wire, and hot wire (black) to hot wire. Wrap the connection with electrical tape.

Step 2: Spread apart the wires so that the hot wires are on one side of the outlet box and the neutral wires are on the other side.

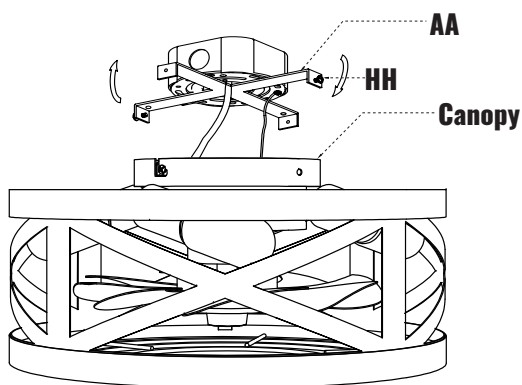
Note:

This fan only needs one set of input wires (black, white, and ground wire). Both of the fan and lights will be controlled by the remote controller. This fan can only be connected to an on/off switch if you have one, not a dimmer switch.

4. Attach the Canopy



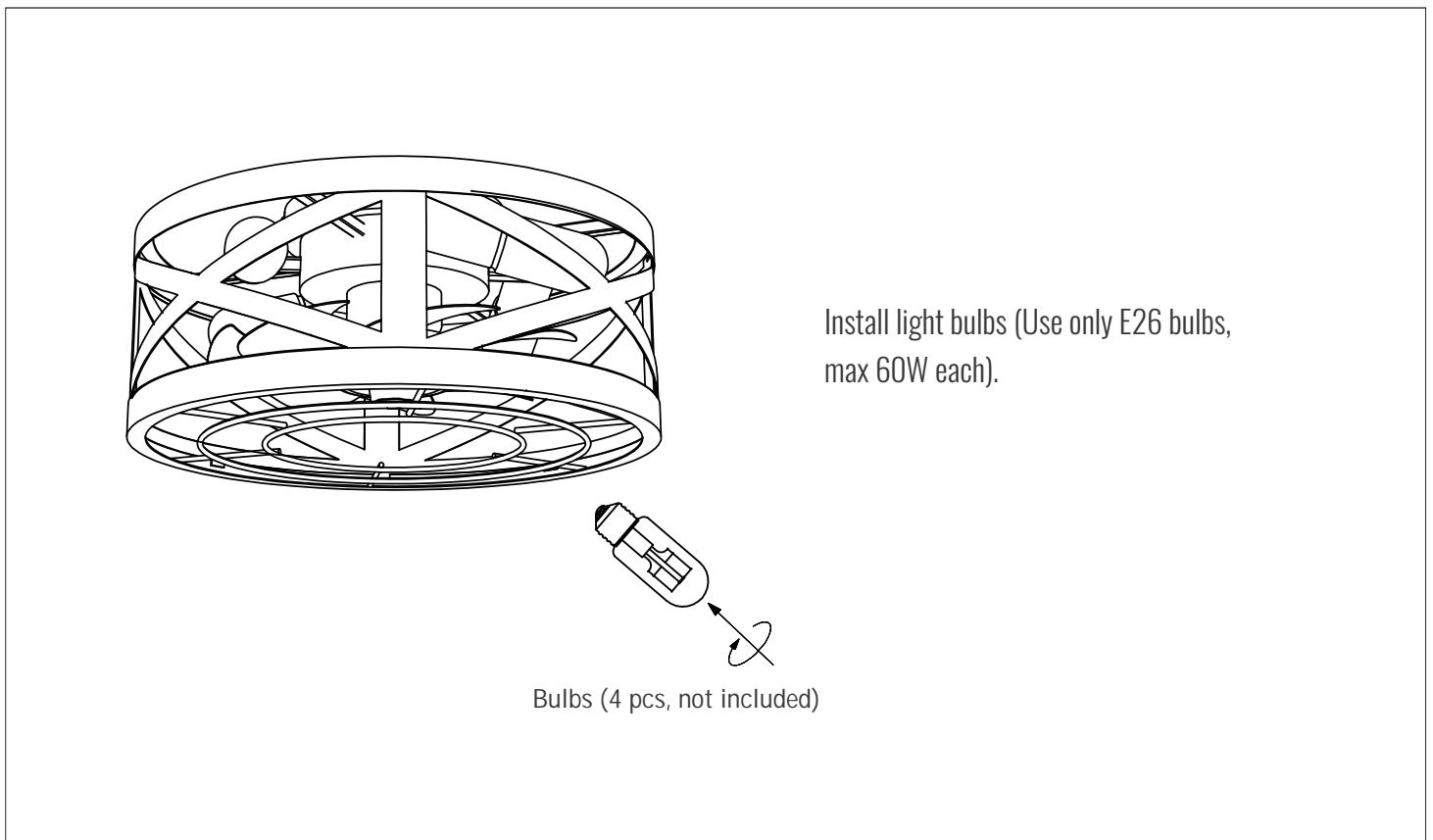
Step 1: Take away the "S" hook (GG).



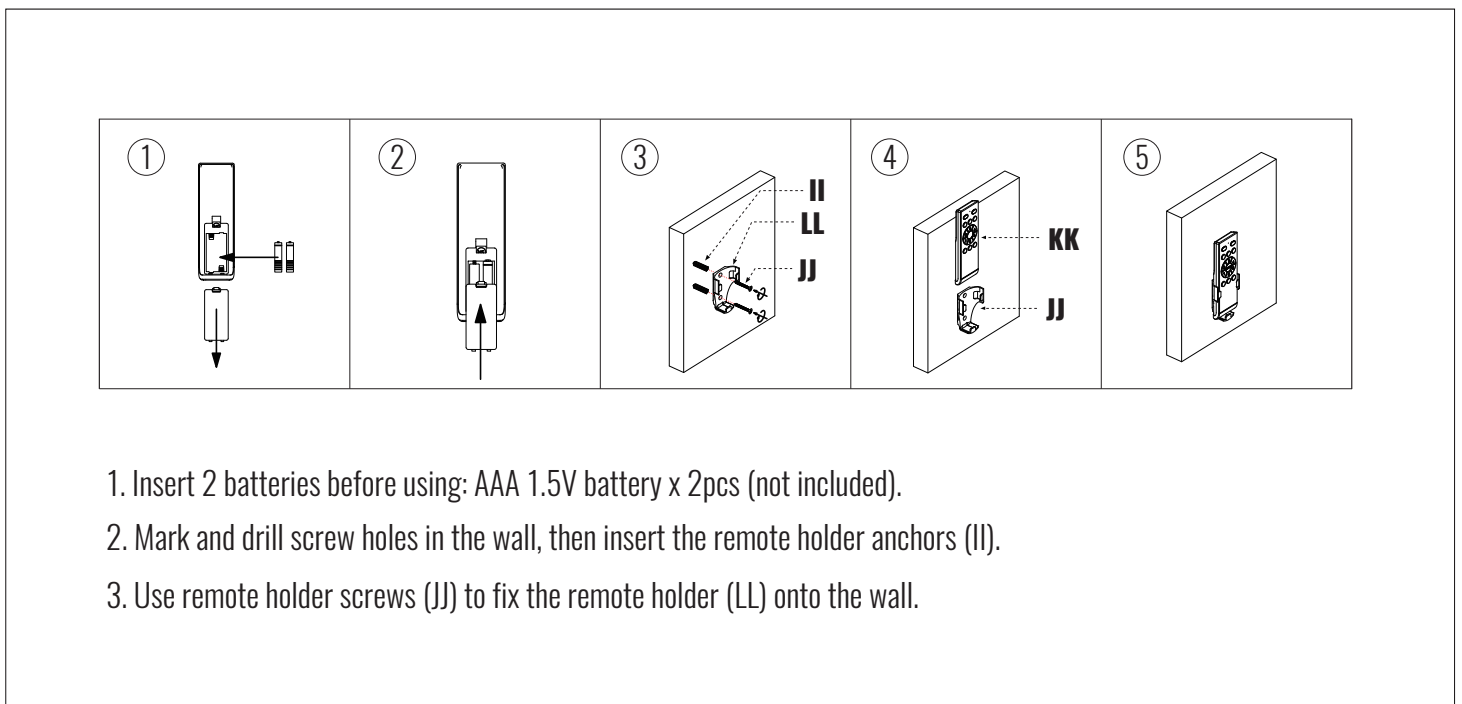
Step 2: Align the "L" slots from the canopy to the canopy screws (HH) on the mounting bracket (AA), rotate the canopy to lock it onto the mounting bracket (AA).

Step 3: Tighten the canopy screws (HH).

5. Install Light Bulbs



6. Install the Remote Holder



Remote Control Instructions

		Turn off the fan and lights.
		Turn on/off the lights.
		Natural wind, fan speed will change automatically.
		"F" refers the fan rotates forward.
		"R" refers the fan rotates in reverse.
		1/2/3/4/5/6 for fan speeds.
		Turn off the fan.
		1H/2H/4H for timing the fan.
		<p>REMOTE SIGNAL PAIRING: If the remote control loses signal with the fan, turn off the power from wall switch, then turn it on, immediately press and hold this button for around 3 seconds, after the fixture beeps or flashes, it's done.</p>

NOTE:

Please insert 2 batteries before using. AAA 1.5V battery x 2pcs (not included).

Trouble Shooting

1. Fan doesn't work

- Make sure the fixture is connected to an ON/OFF wall switch, not a dimmer switch.
- Check the remote control battery (not included in this package).
- Check the circuit breaker to ensure the power is on.
- Turn off power from the circuit breaker, then loosen the canopy and check all the connections according to the wiring diagram.

2. Lights Do Not Light Up / Flicker / Noisy Operation

- Make sure the fixture is connected to an ON/OFF wall switch, not a dimmer switch.
- Check your power and switch to make sure it's powered on.

3. Noisy Operation

- Tighten the light fitting and blade bottom cover.
- Re-tighten all screws on the bracket, downrod, and fan blades (do not over tighten).
- Check to see if any of the blades are cracked. If so, replace all of the blades.

4. Remote does not work

- Make sure the battery is installed correctly.
- Pair the remote control again (See page 6).
- Install 2 new batteries.

Clean And Care

To clean, wipe the fixture with a soft cloth. Spraying from chemical cleaners can discolor the finish of the fixture. Do not use scouring pads, powders, steel wool, or abrasive paper to clean this fixture.

Ordering Parts

Keep this manual for future reference, and in case replacement parts are needed. Available parts can be ordered from the place of purchase. Use exact wording from diagrams when ordering parts.