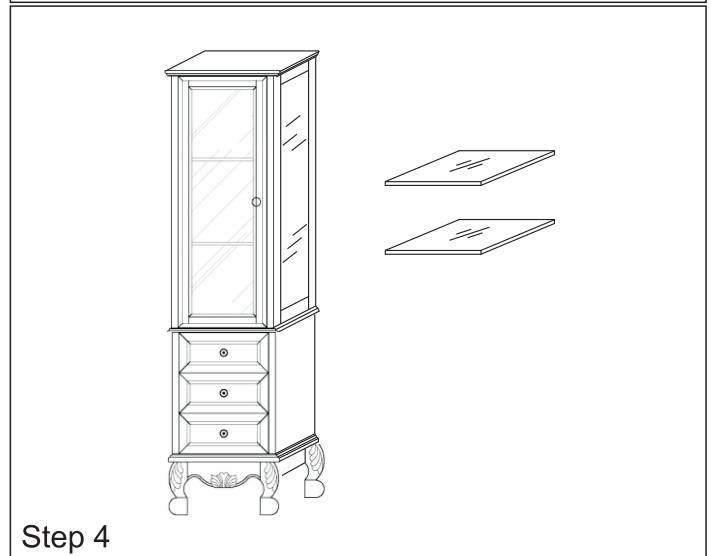
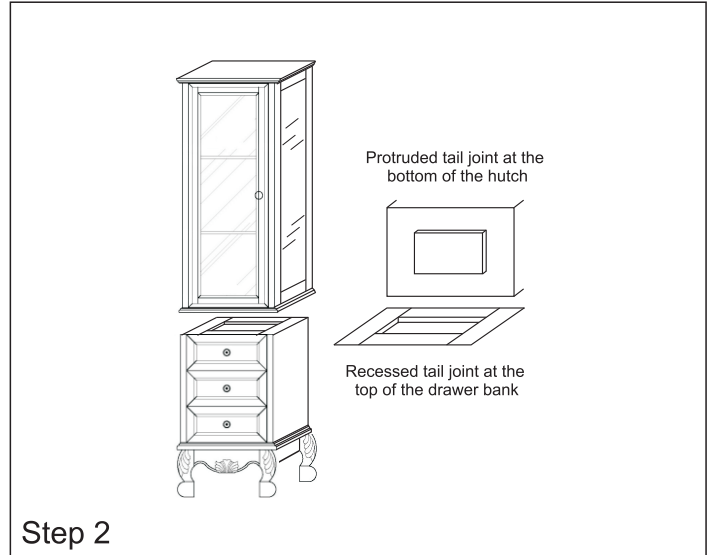
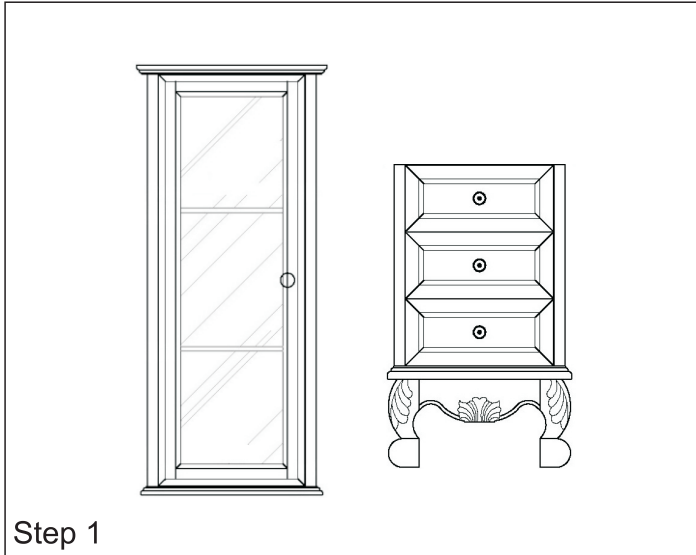


BELLATERRA HOME

Model: 202016H-LINEN TOWER

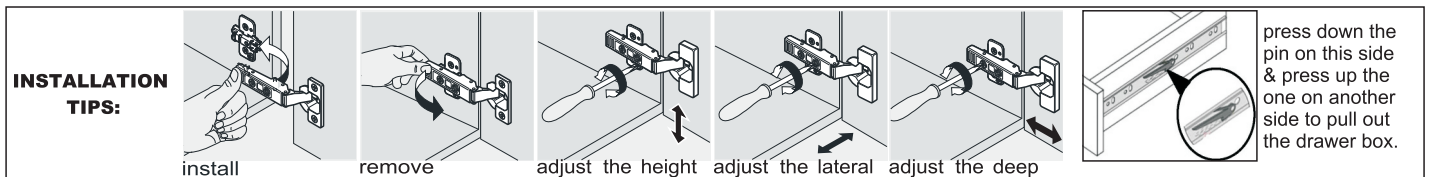
Tools List (Not included)



CARE AND CLEANING

For best results in caring for your stone top, we suggest:

- Always wipe off spills immediately.
 - Seal the stone top regularly with a good quality stone sealant.
 - Never use strong or abrasive cleaner, and always test your cleaning solution on unnoticeable areas before applying to the entire surface.
 - Wipe surface clean, immediately after applying cleaner.
 - Do not allow cleaner to sit or soak. Never let cleaner sit on the surface of the stone for long periods of time.
 - Use a soft, dampened sponge and cloth. Never use an abrasive material such as brush or scouring pad to clean surface.
- They will scratch the surface of the stone top and lavatory
- Always rinse and wipe clean the fixtures to prevent soap buildup.



NOTE: SINK STYLE, SHAPE, FAUCET HOLES, CUTOUT ON TOP, VANITY MAY VARY FROM THE PICTURE ABOVE. INSTRUCTIONAL PURPOSE ONLY.

Professional installation is recommended.

www.bellaterra-home.com

Bellaterra Home LLC, All Rights Reserved 2017