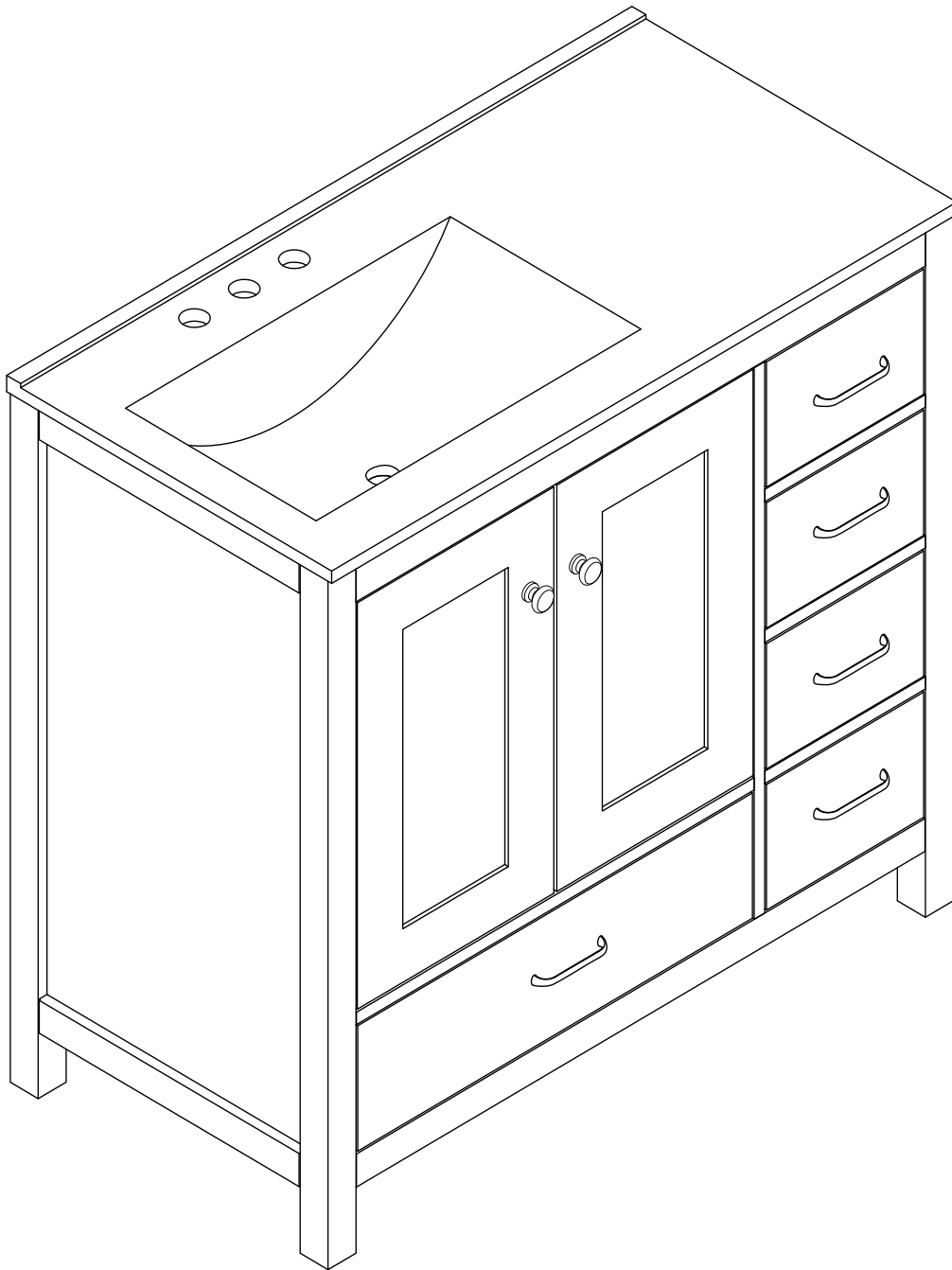
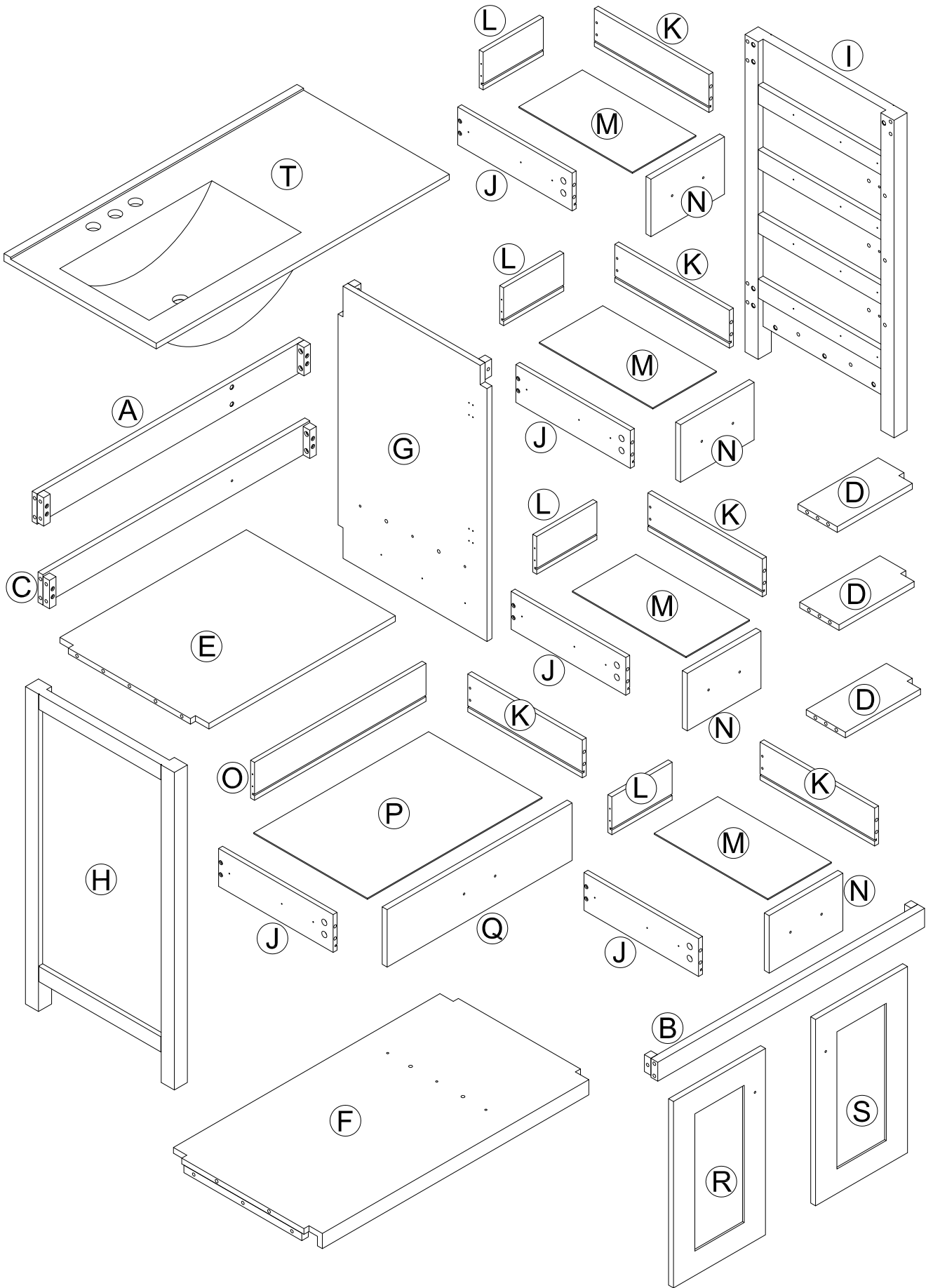


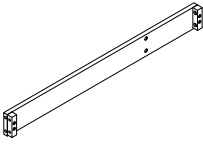
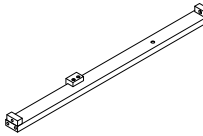
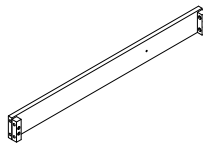
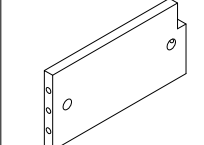
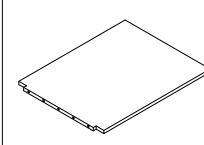
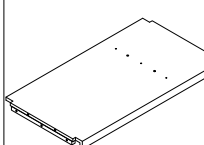
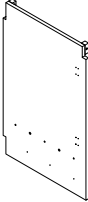
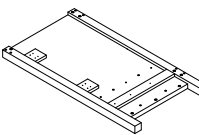
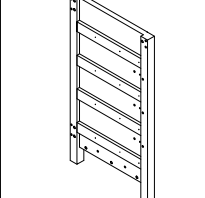
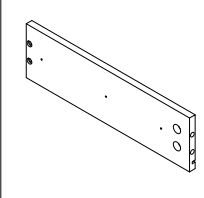
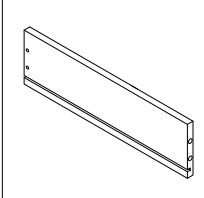
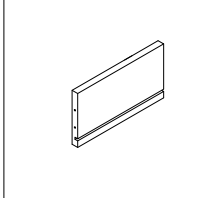
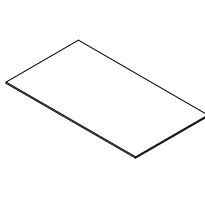
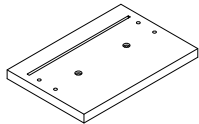
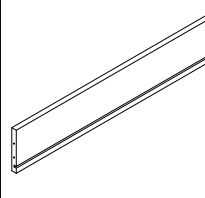
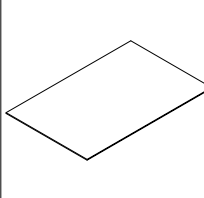
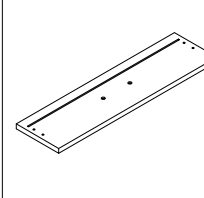
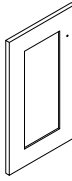

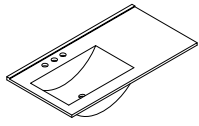
# ASSEMBLY INSTRUCTIONS

## BATHROOM VANITY

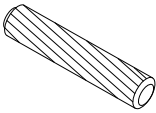
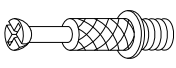
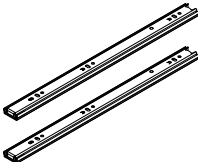

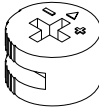
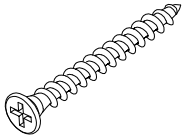
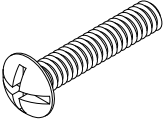
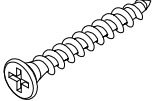



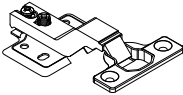
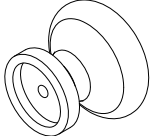




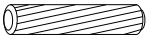
PRODUCT PARTS:

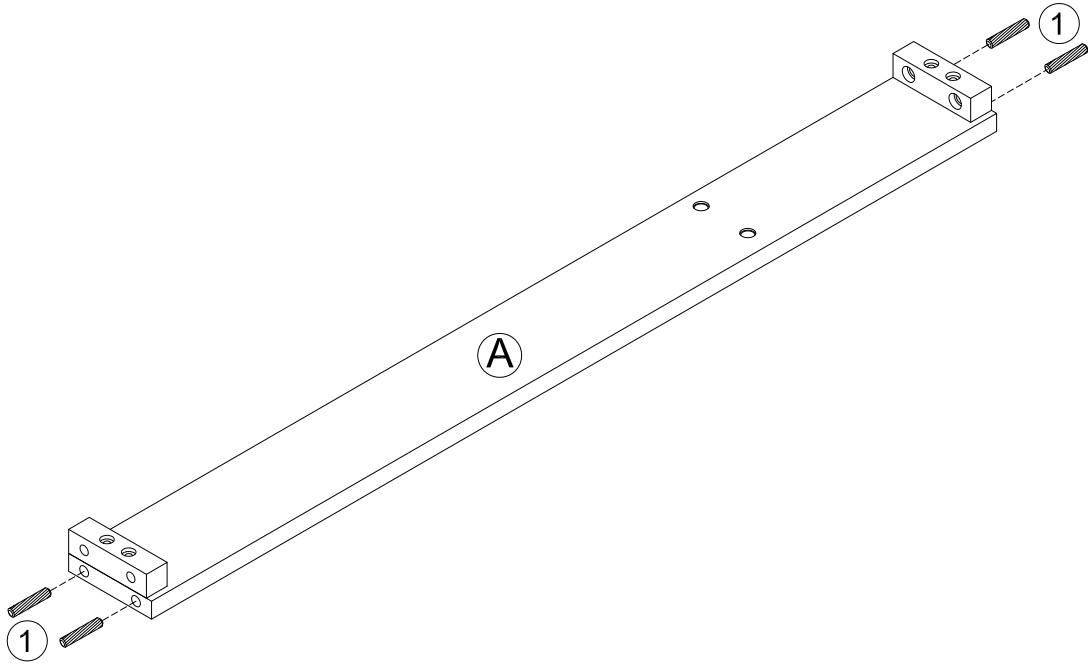
A	B	C	D	E	F
					
1PC	1PC	1PC	3PCS	1PC	1PC
G	H	I	J	K	L
					
1PC	1PC	1PC	5PCS	5PCS	4PCS
M	N	O	P	Q	R
					
4PCS	4PCS	1PC	1PC	1PC	1PC
S	T				
					
1PC	1PC				

# HARDWARE:

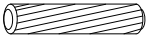
①	②	③	④	⑤	⑥
					
Ø8x30mm	Ø6x33mm	14"x35mm	Ø3x10mm	Ø15x9mm	Ø4x35mm
<b>34+2 PCS</b>	<b>32+2 PCS</b>	<b>5 SET</b>	<b>60+2 PCS</b>	<b>32+2 PCS</b>	<b>4 PCS</b>
⑦	⑧	⑨	⑩	⑪	⑫
					
1/4"x25mm	Ø4x25mm	5/32"x18mm		Ø4x12mm	
<b>19+1PCS</b>	<b>20+2PCS</b>	<b>12 PCS</b>	<b>5PCS</b>	<b>24+2PCS</b>	<b>4PCS</b>
⑬					
					
<b>2PCS</b>					

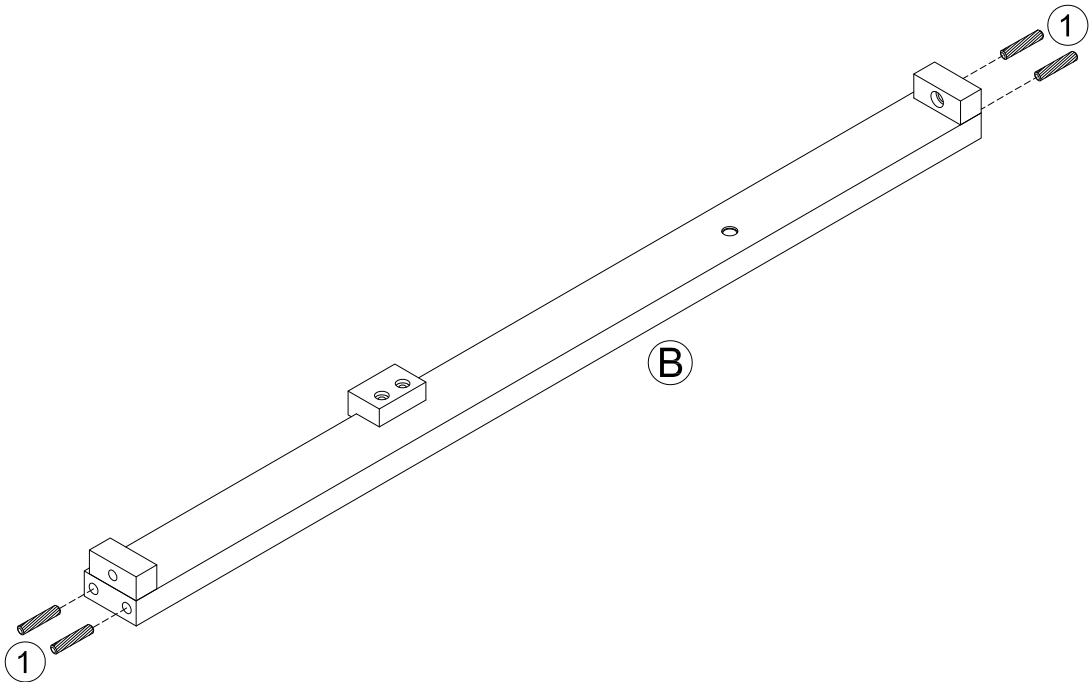
STEP 1

①  4pcs  
Ø8x30mm

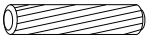


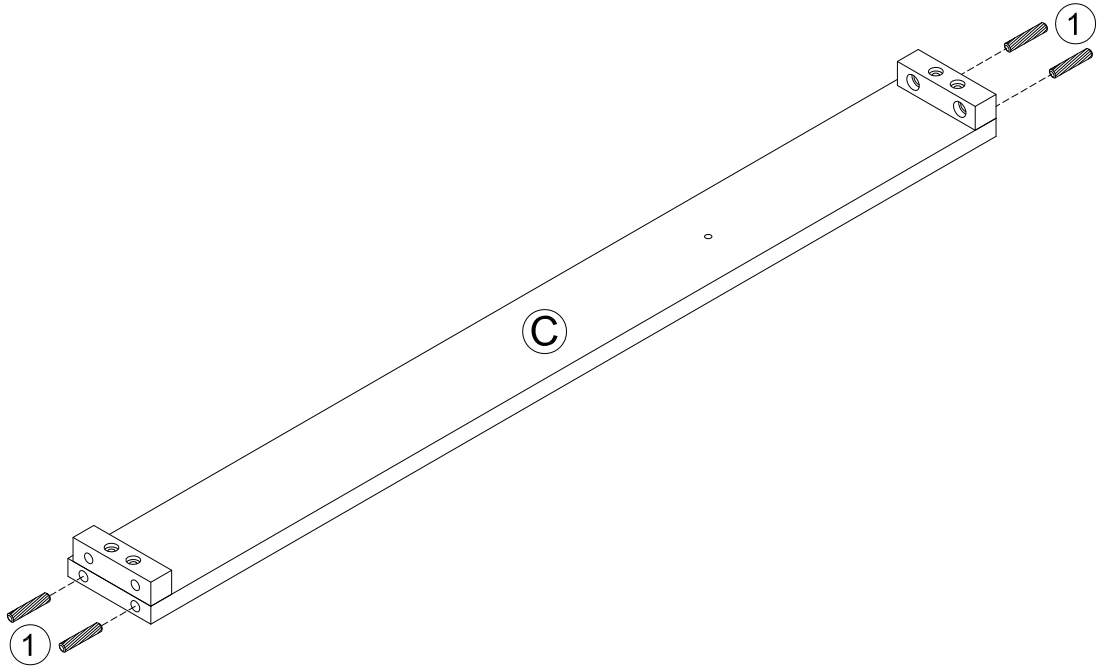
STEP 2

①  4pcs  
Ø8x30mm

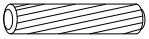


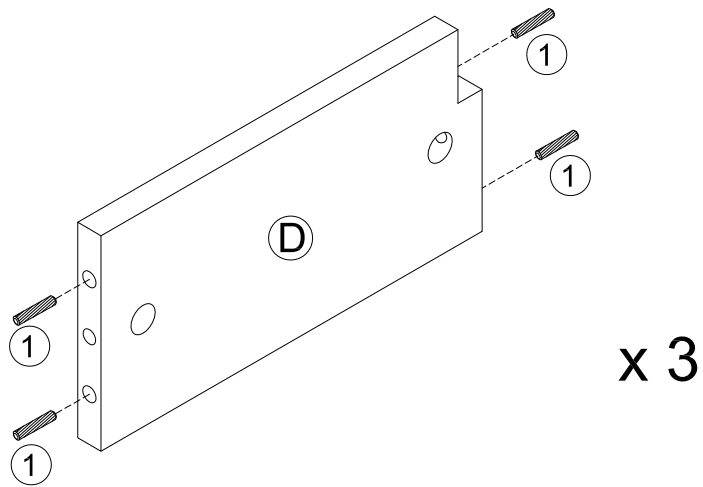
STEP 3

①  4pcs  
Ø8x30mm

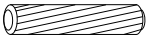


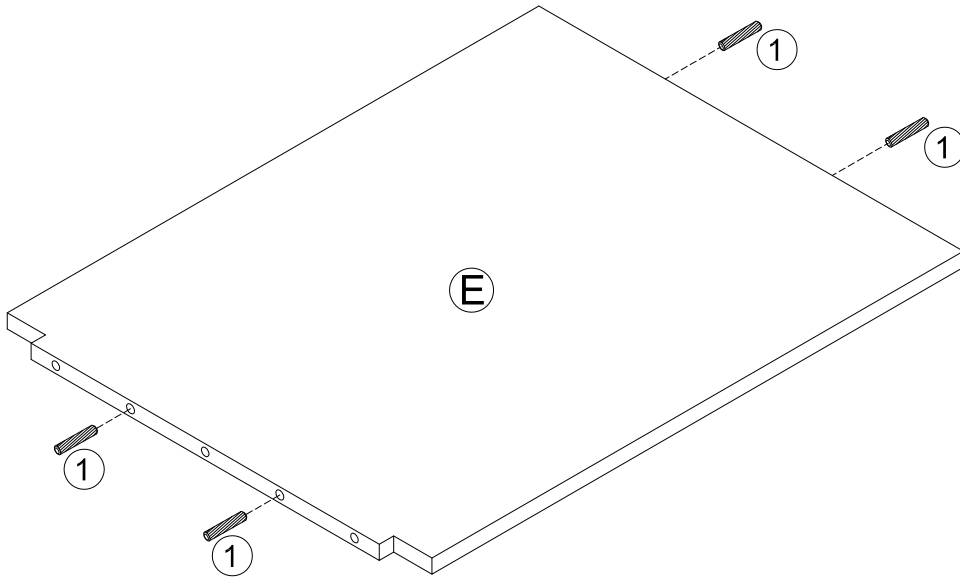
STEP 4

①  12pcs  
Ø8x30mm

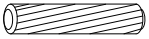


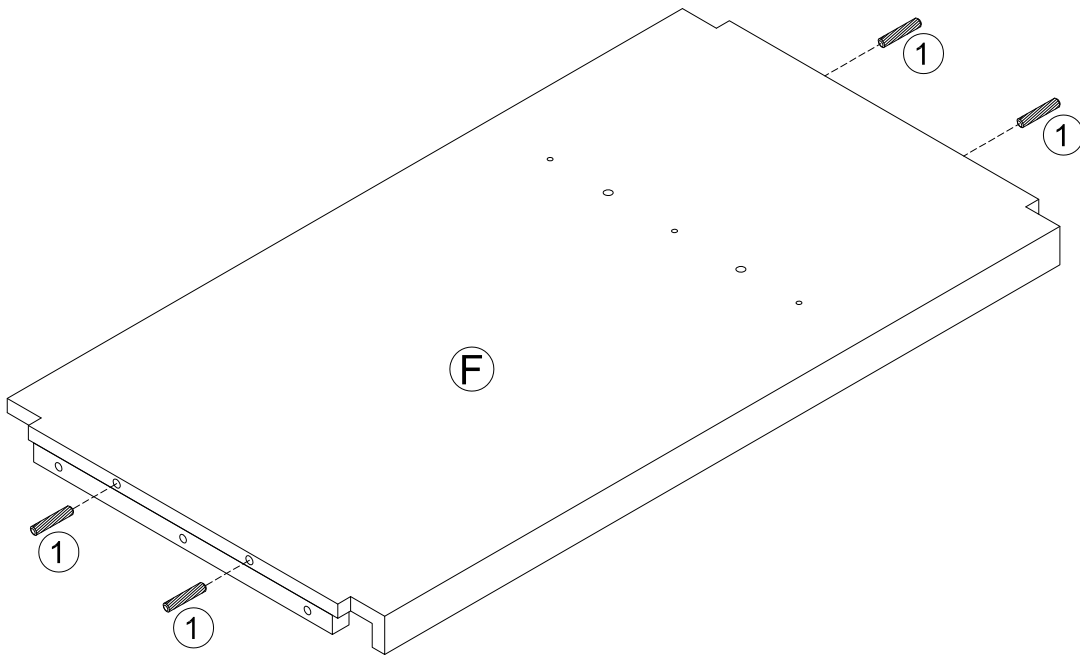
STEP 5

①  4pcs  
Ø8x30mm





STEP 6

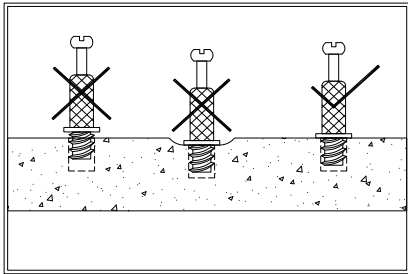
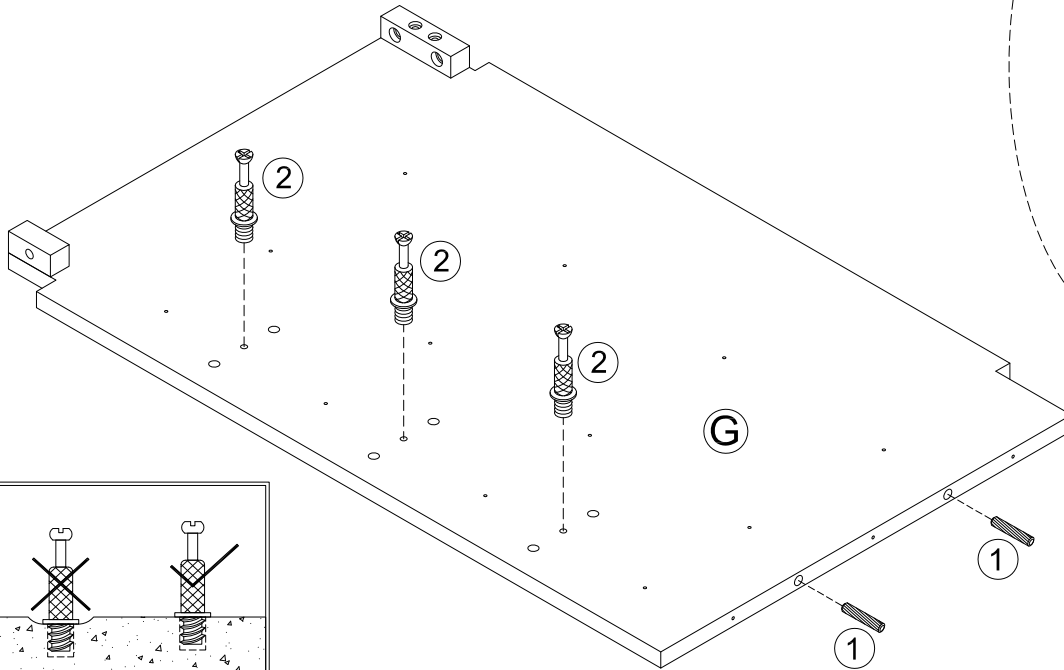
①  4pcs  
Ø8x30mm



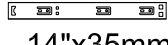
STEP 7

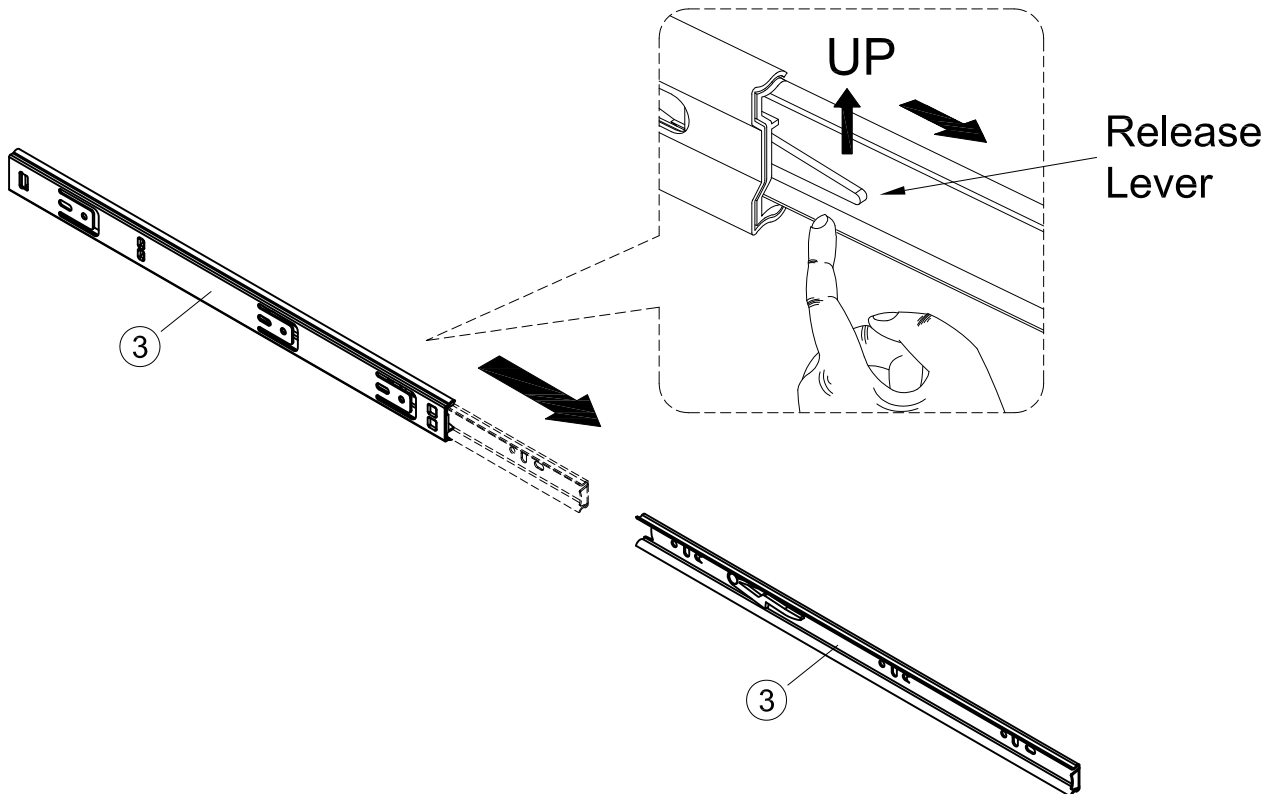
②  3pcs  
Ø6x33mm

①  2pcs  
Ø8x30mm

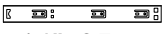


STEP 8

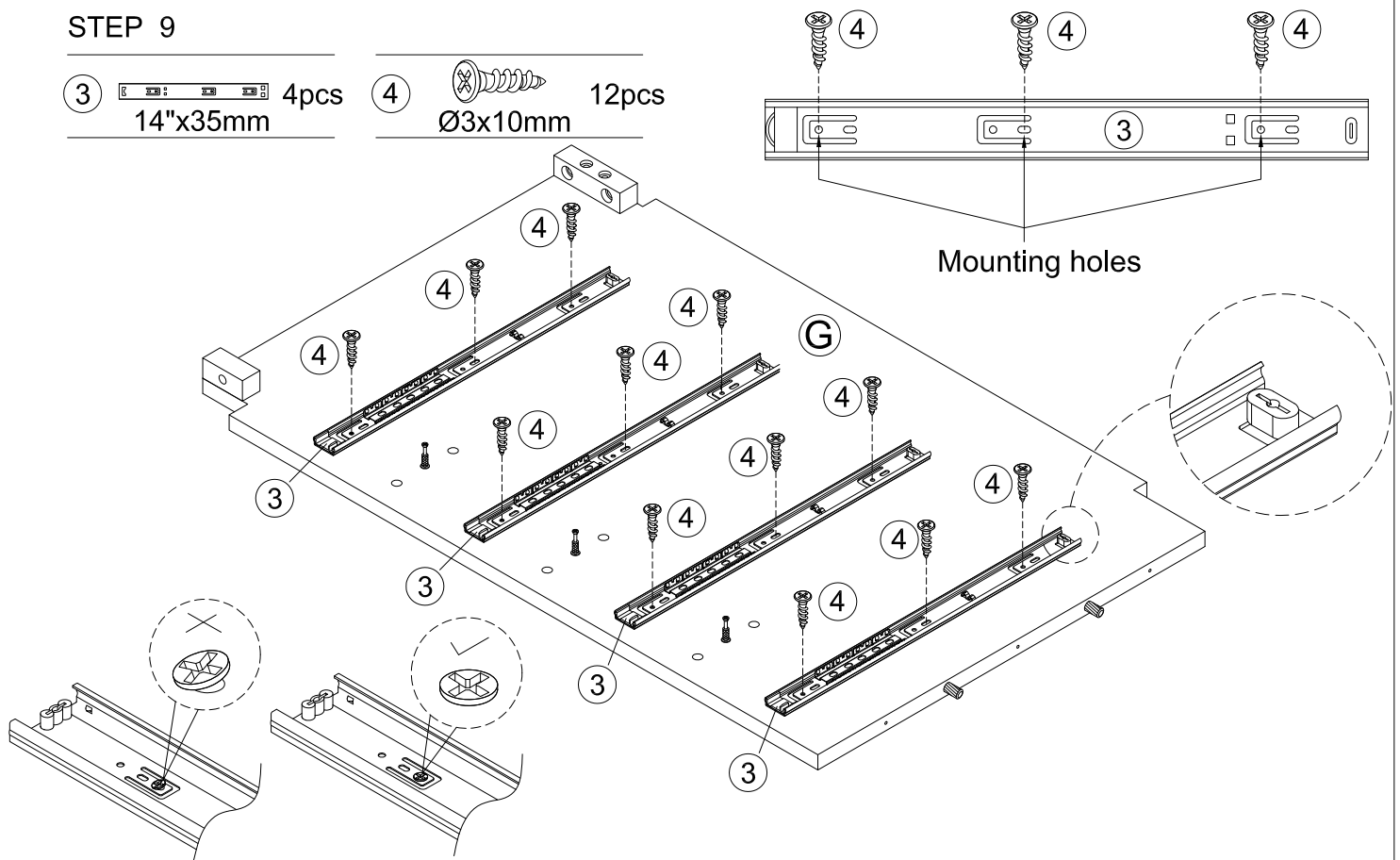
③  5SET  
14"x35mm



STEP 9

③  4pcs  
14"x35mm

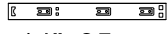
④  12pcs  
Ø3x10mm



Mounting holes

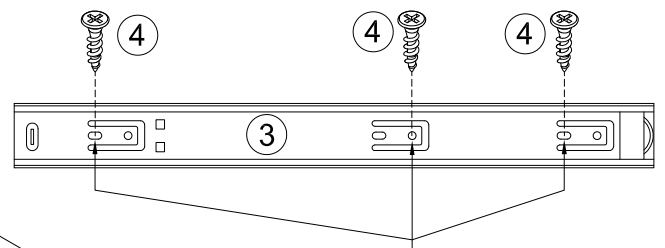
Please make sure that the screw is VERTICAL so as not to affect the sliding of the drawer.

STEP 10

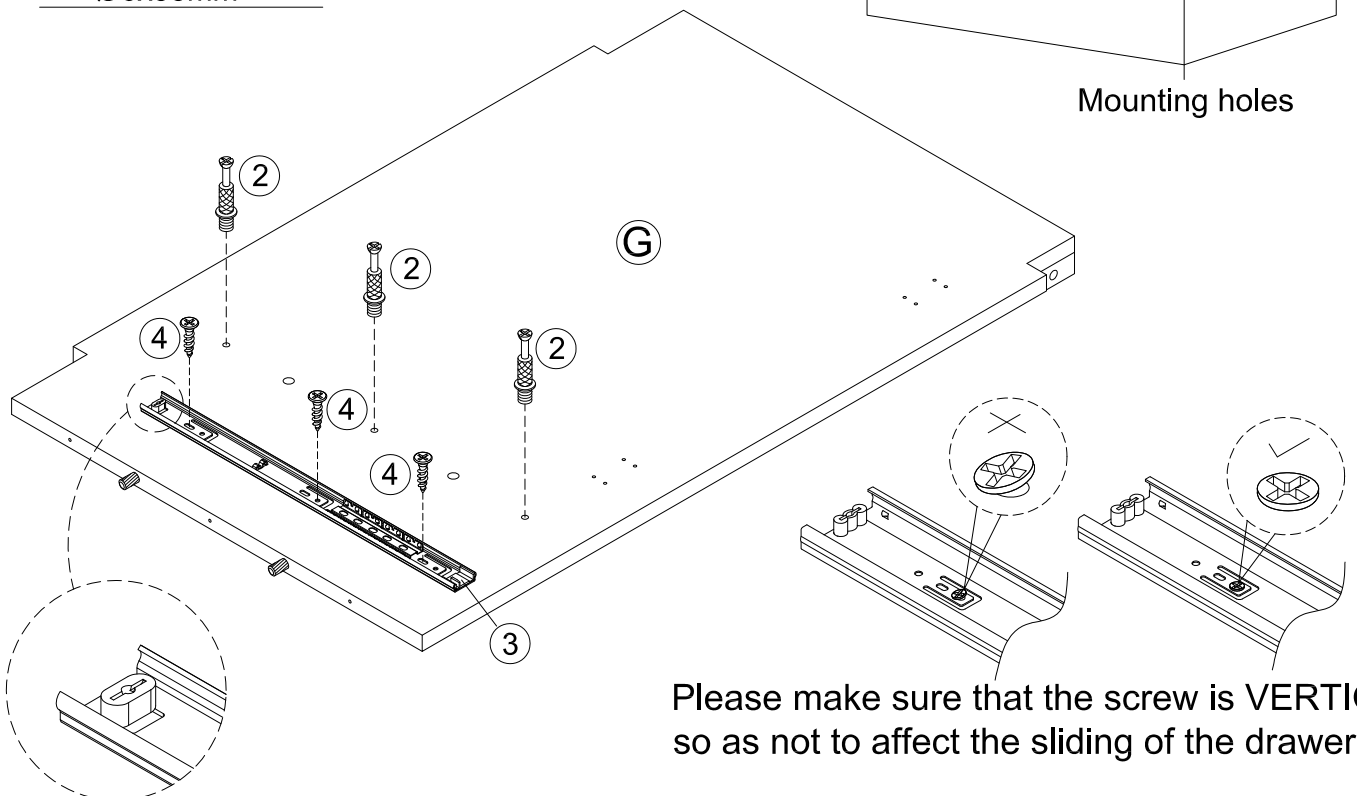
③  1pc  
14"x35mm

④  3pcs  
Ø3x10mm

②  3pcs  
Ø6x33mm



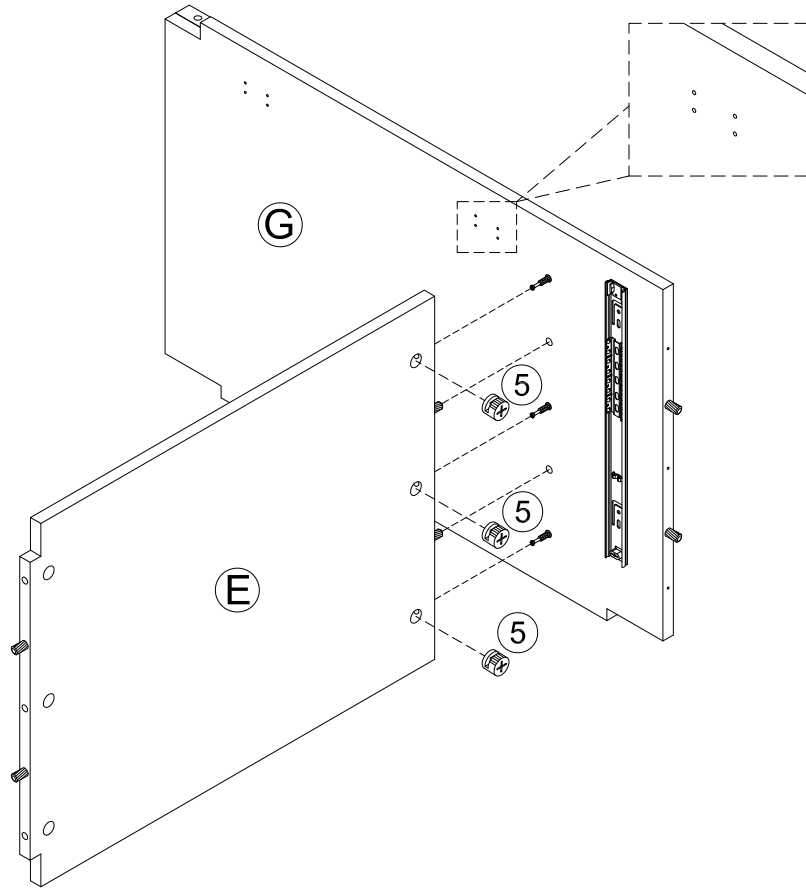
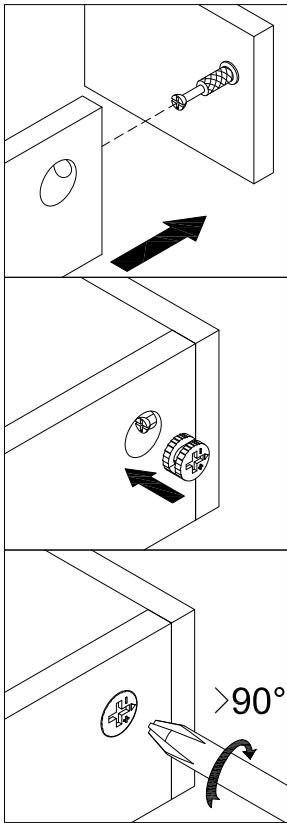
Mounting holes



Please make sure that the screw is VERTICAL so as not to affect the sliding of the drawer.

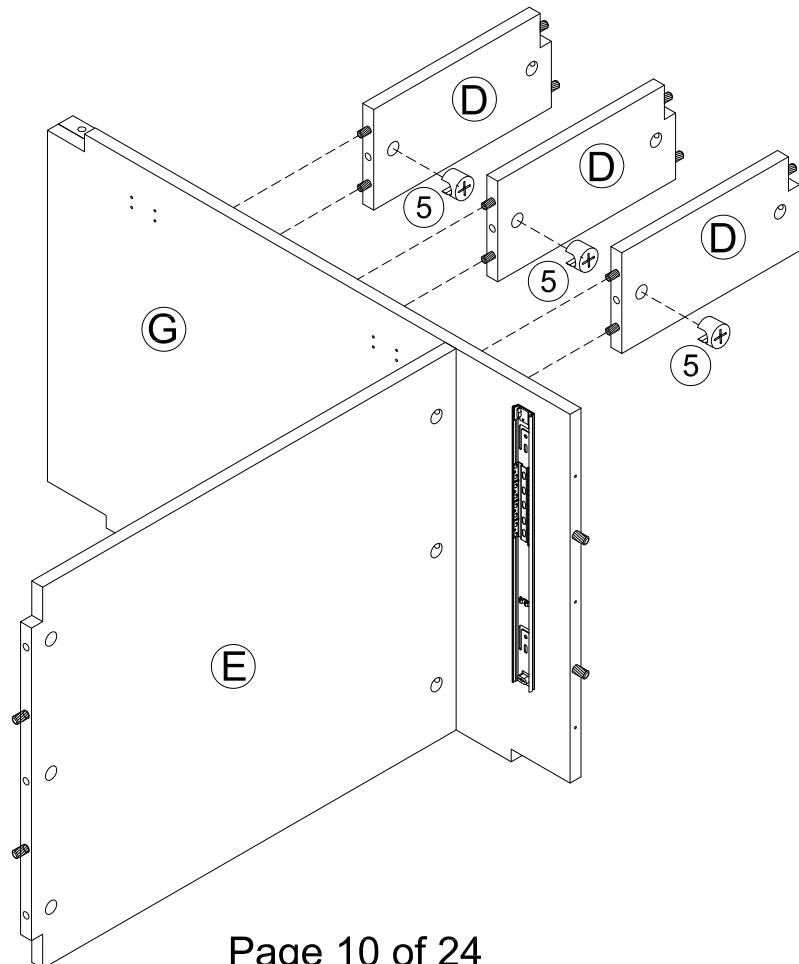
STEP 11

⑤  3pcs  
Ø15x9mm

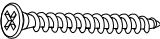


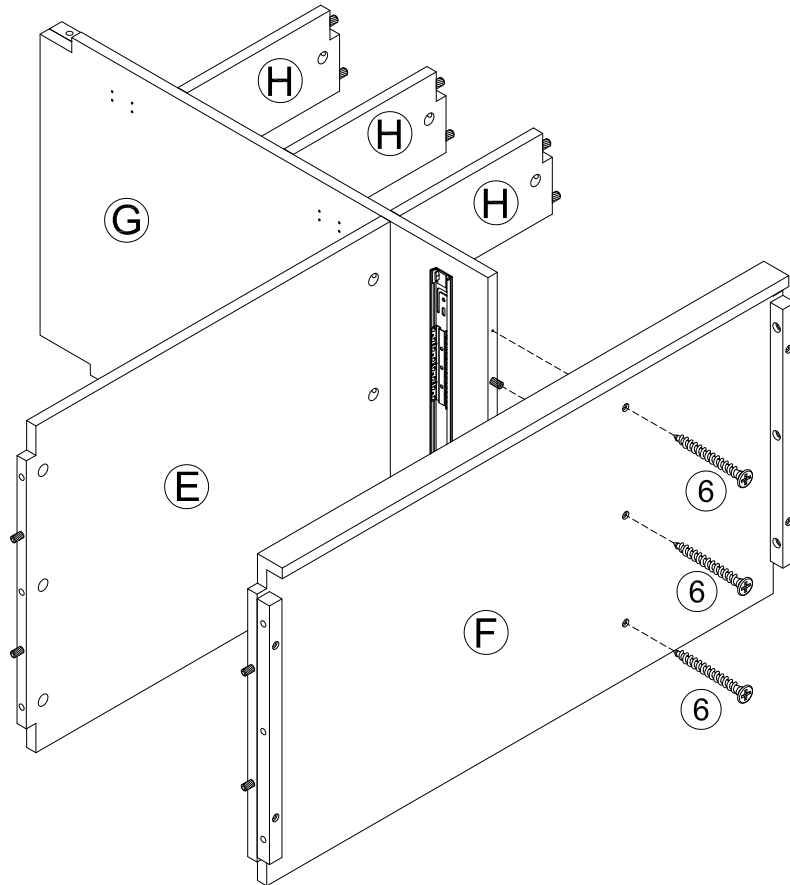
STEP 12

⑤  3pcs  
Ø15x9mm

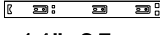




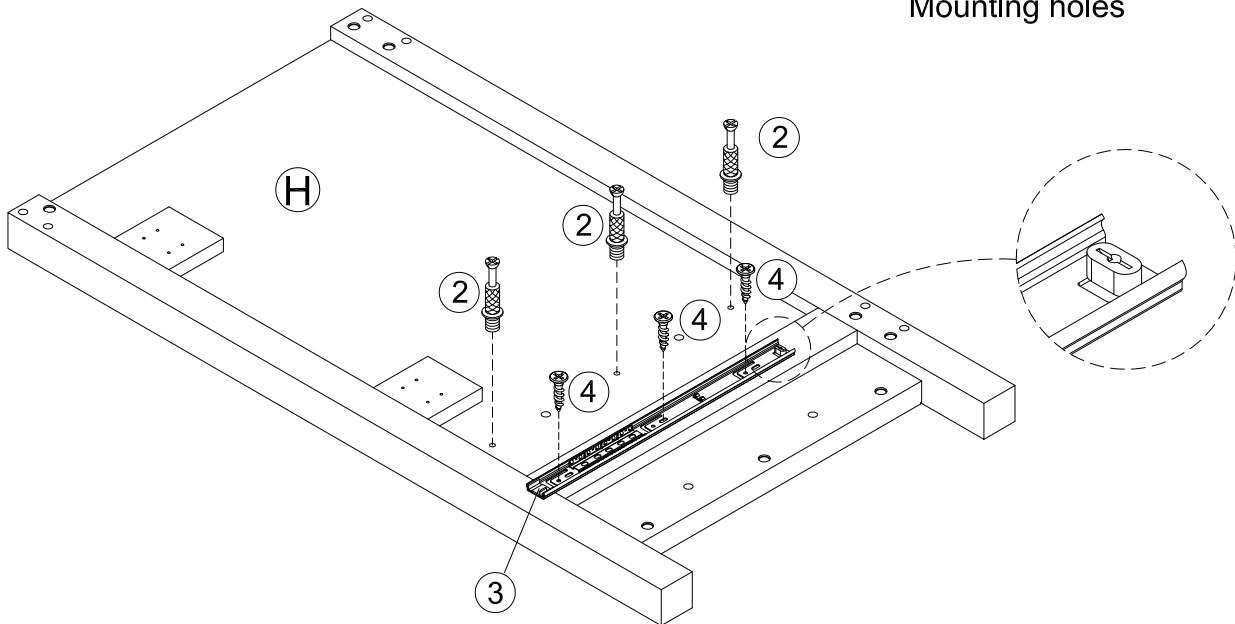
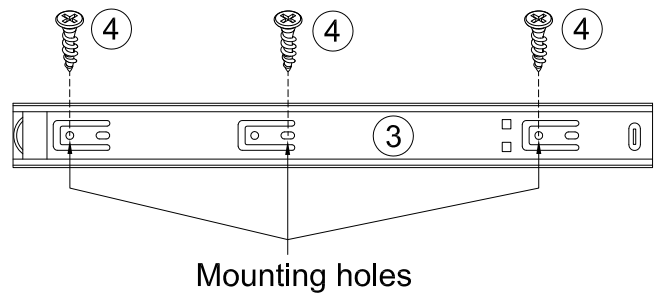
STEP 13

- ⑥  3pcs  
Ø4x35

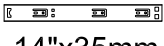

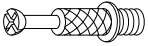


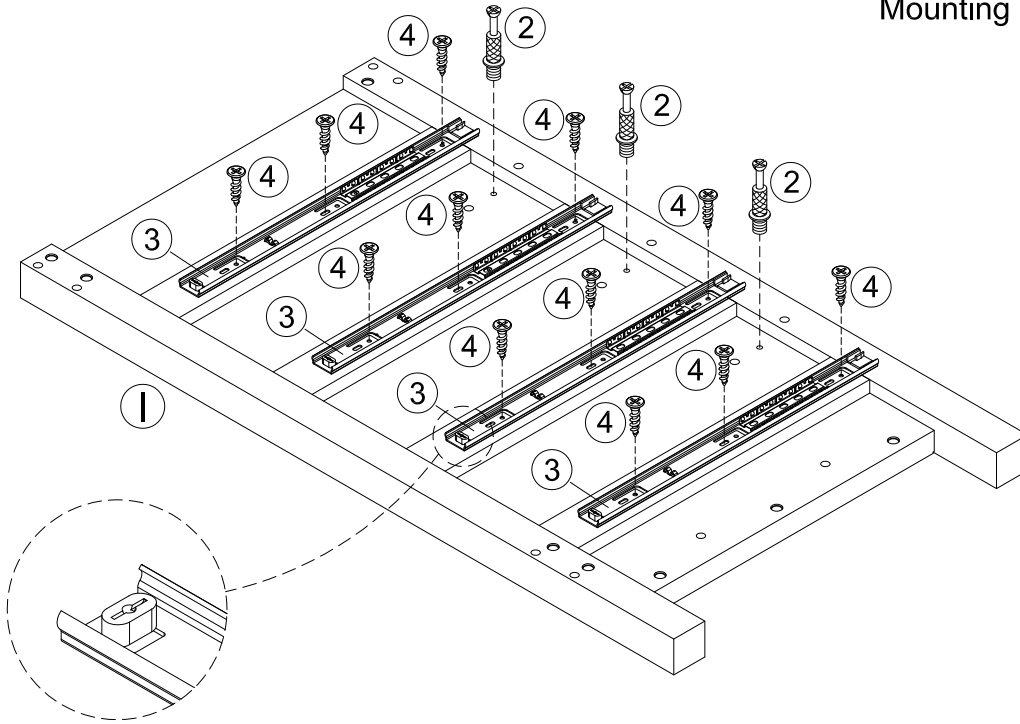
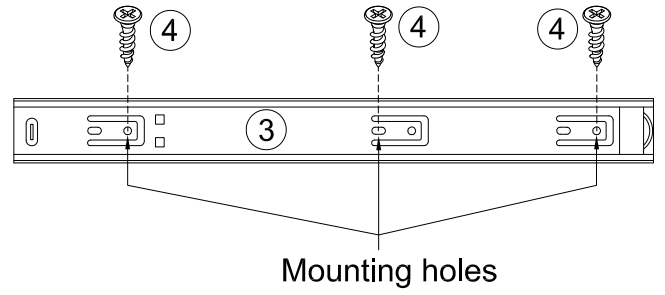
STEP 14

- ③  1pc  
14"x35mm
- ④  3pcs  
Ø3x10mm
- ②  3pcs  
Ø6x33mm





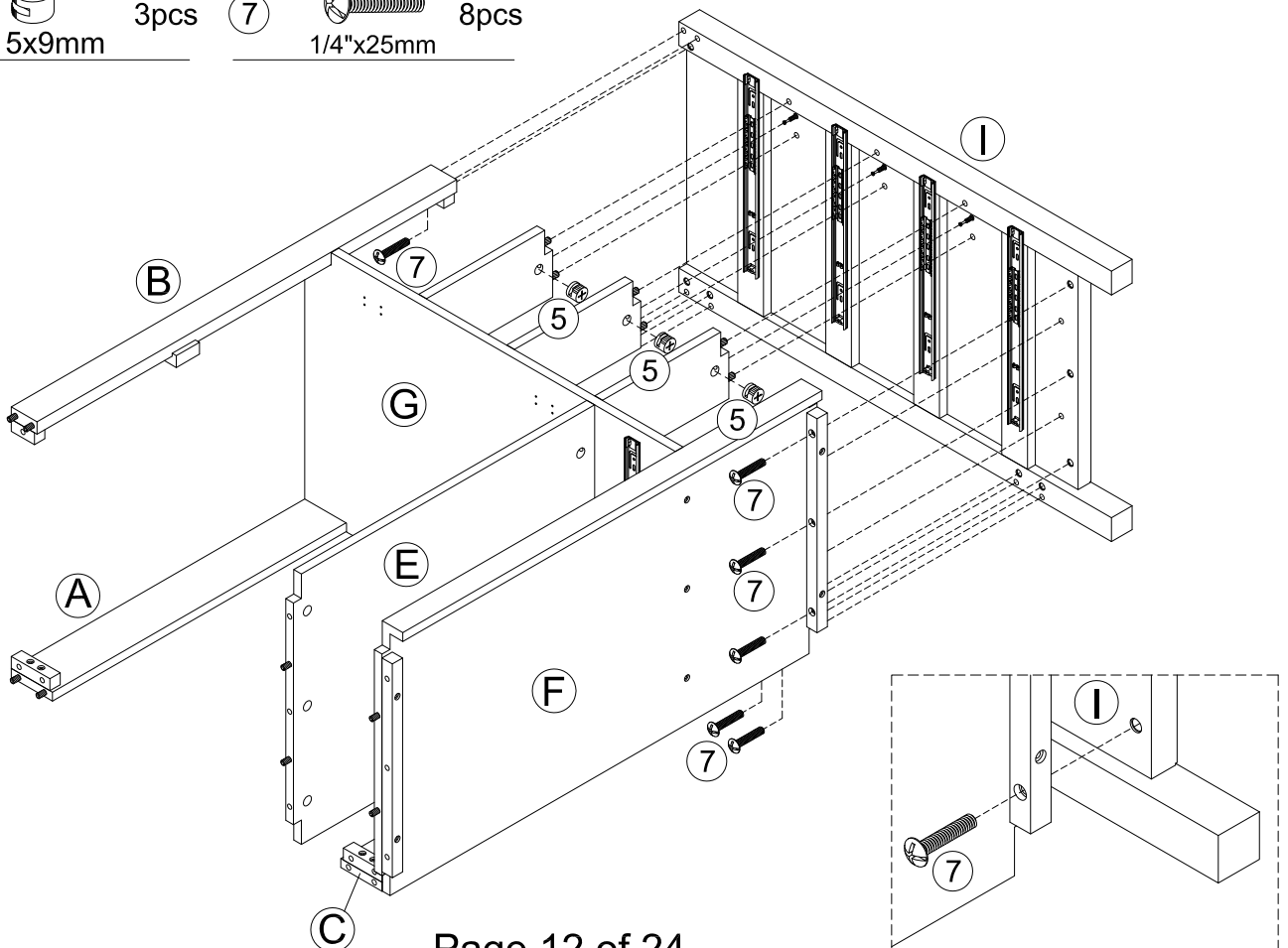
### STEP 15

- ③  4pcs  
14"x35mm
- ④  12pcs  
Ø3x10mm
- ②  3pcs  
Ø6x33mm




### STEP 16

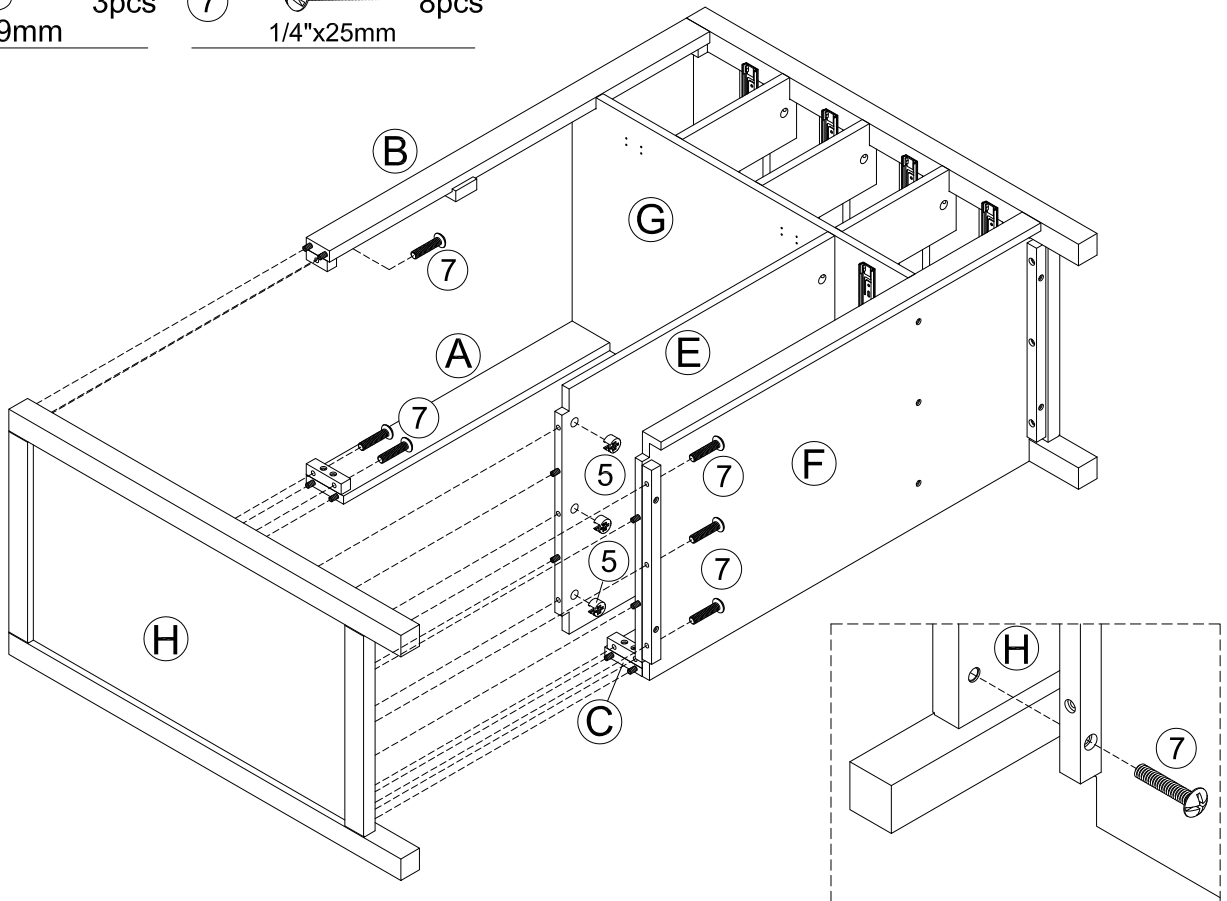
- ⑤  3pcs  
Ø15x9mm
- ⑦  8pcs  
1/4"x25mm




STEP 17


5  3pcs  
Ø15x9mm

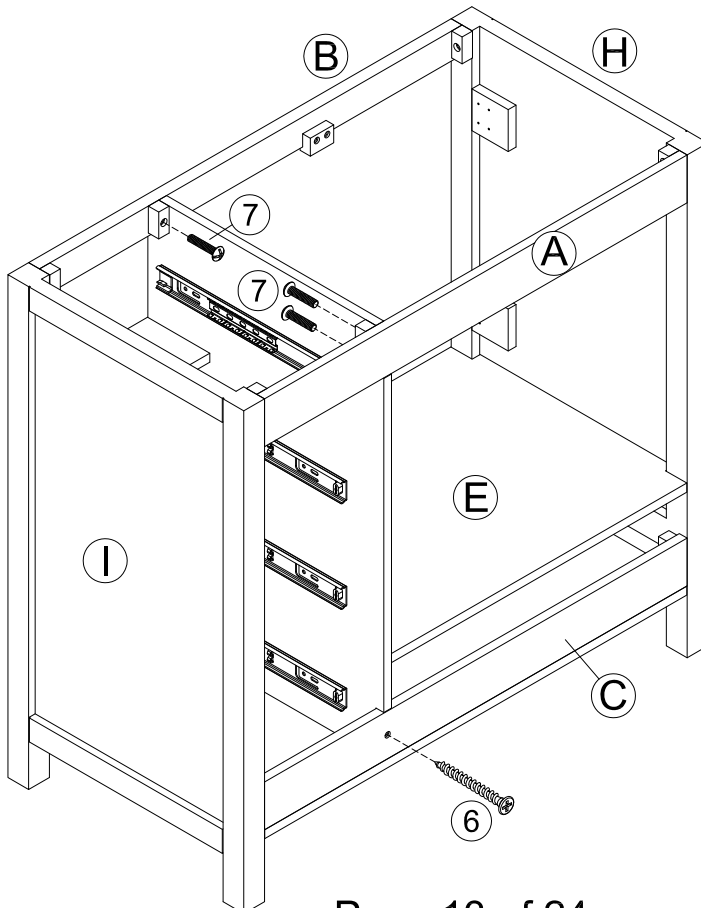
7  8pcs  
1/4"x25mm



STEP 18

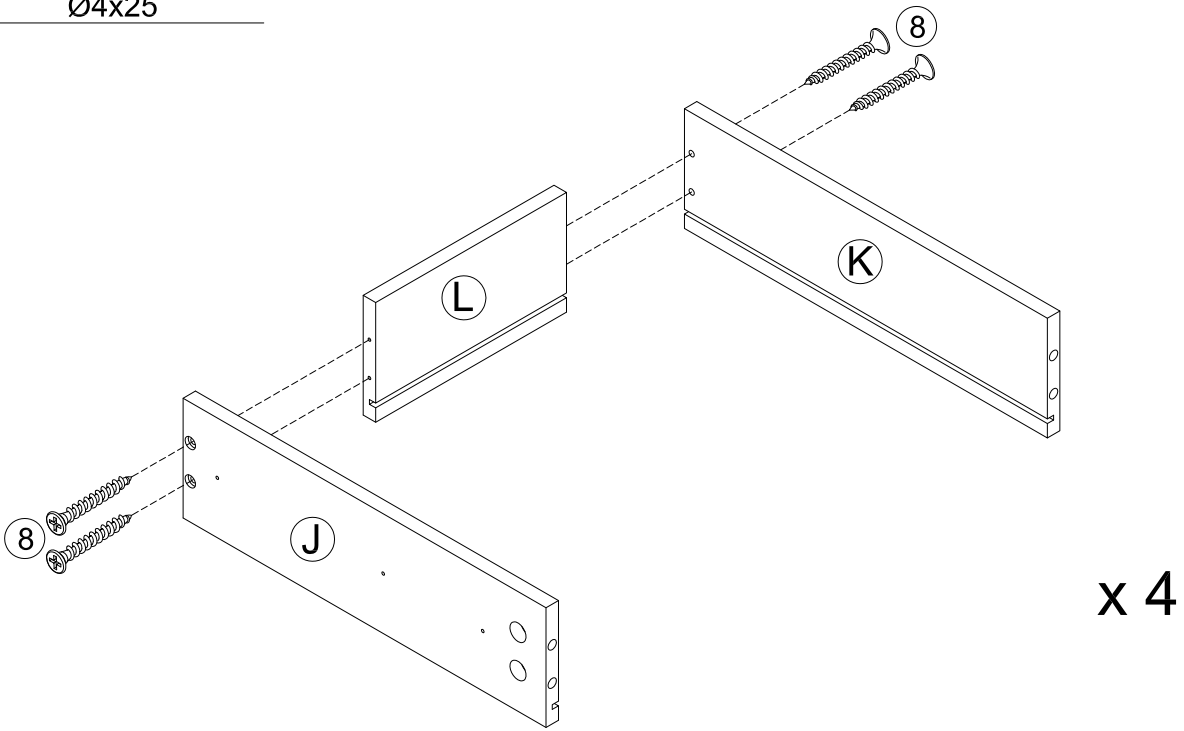
6  1pc  
Ø4x35

7  3pcs  
1/4"x25mm

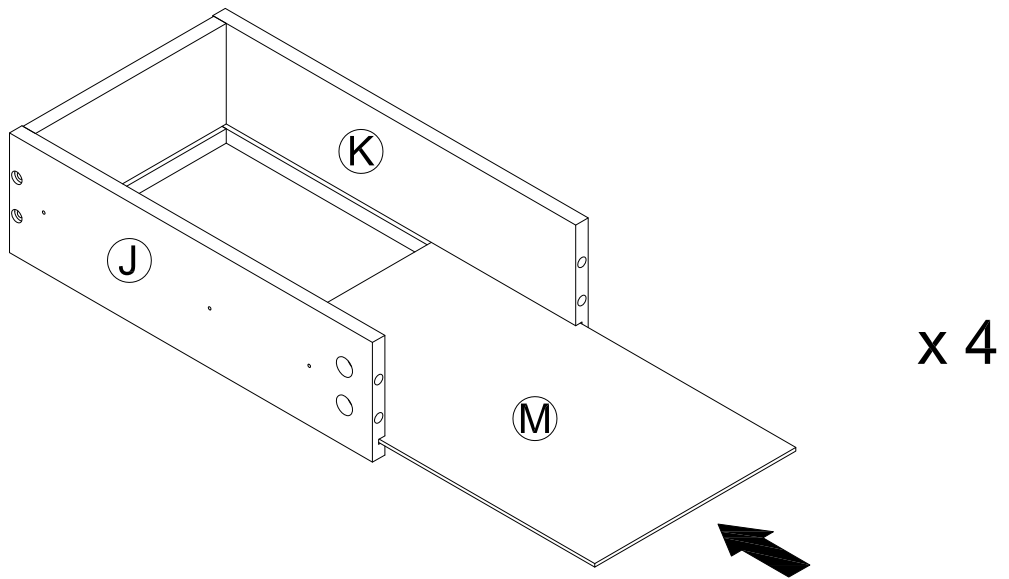


STEP 19


8  16pcs  
Ø4x25

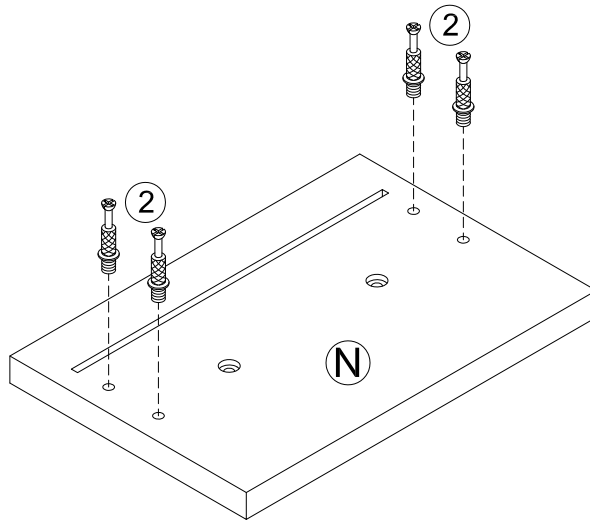


STEP 20



STEP 21

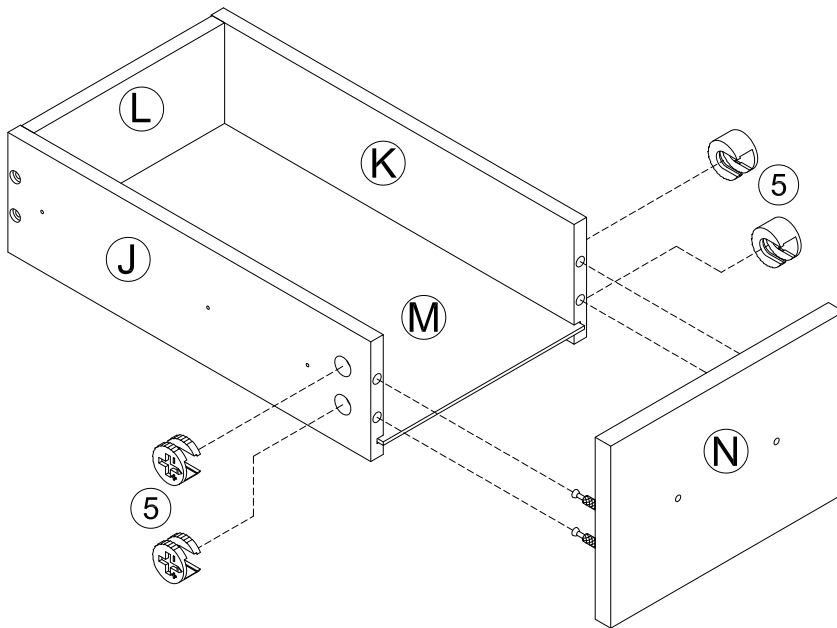
②  16pcs  
Ø6x33mm



x 4



STEP 22

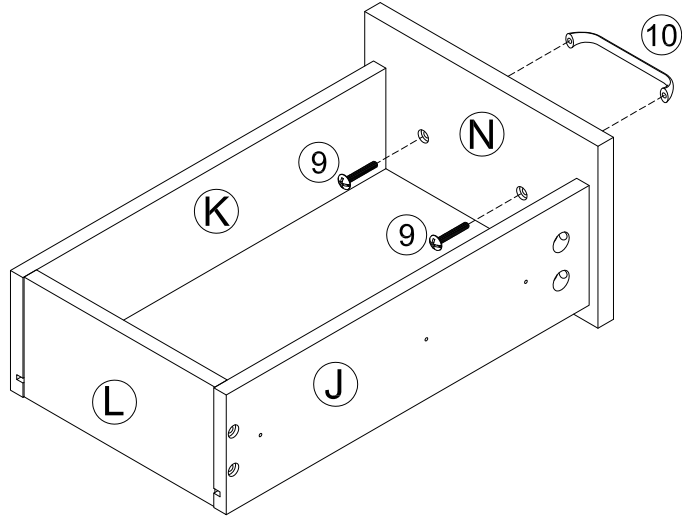
⑤  16pcs  
Ø15x9mm



x 4

STEP 23

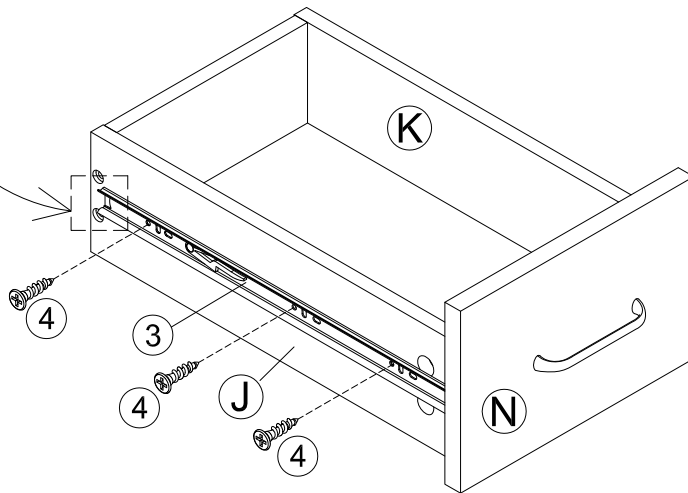
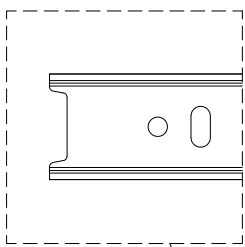
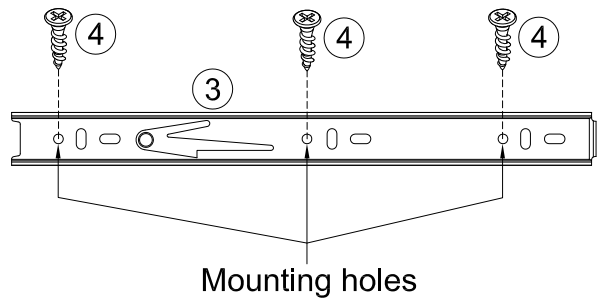
- ⑨  8pcs 5/32"x18mm
- ⑩  4pcs



x 4



STEP 24

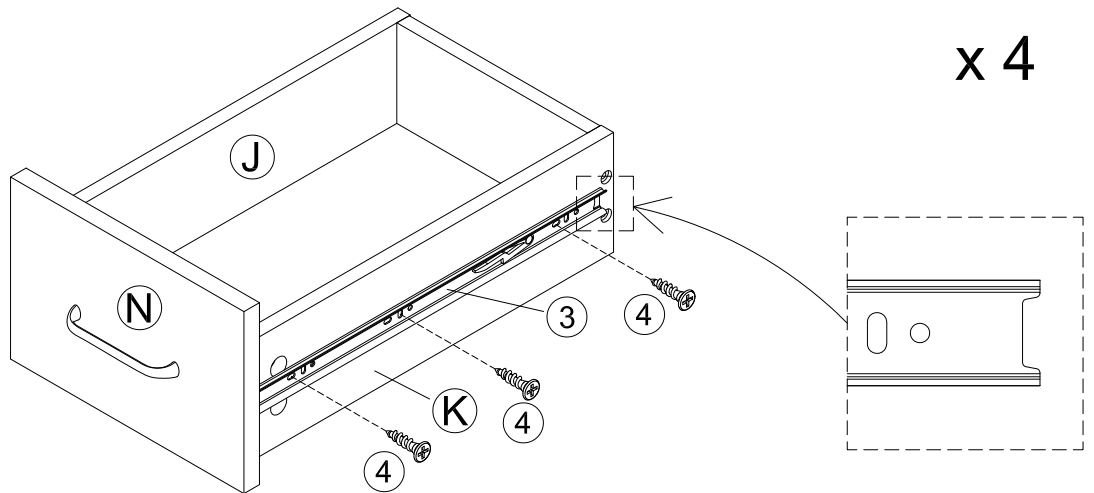
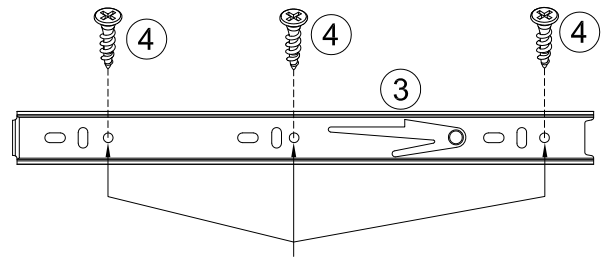
- ③  4pcs
- ④  12pcs Ø3x10mm



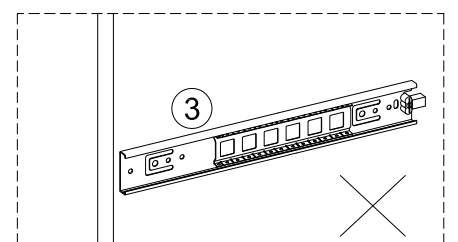
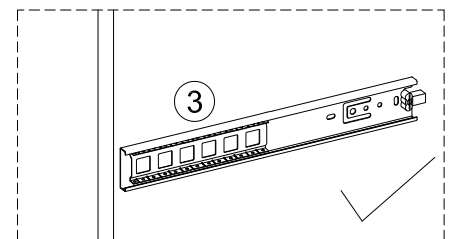
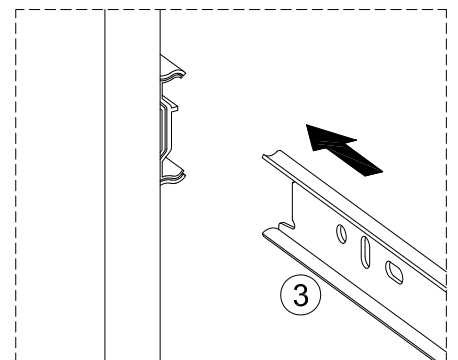
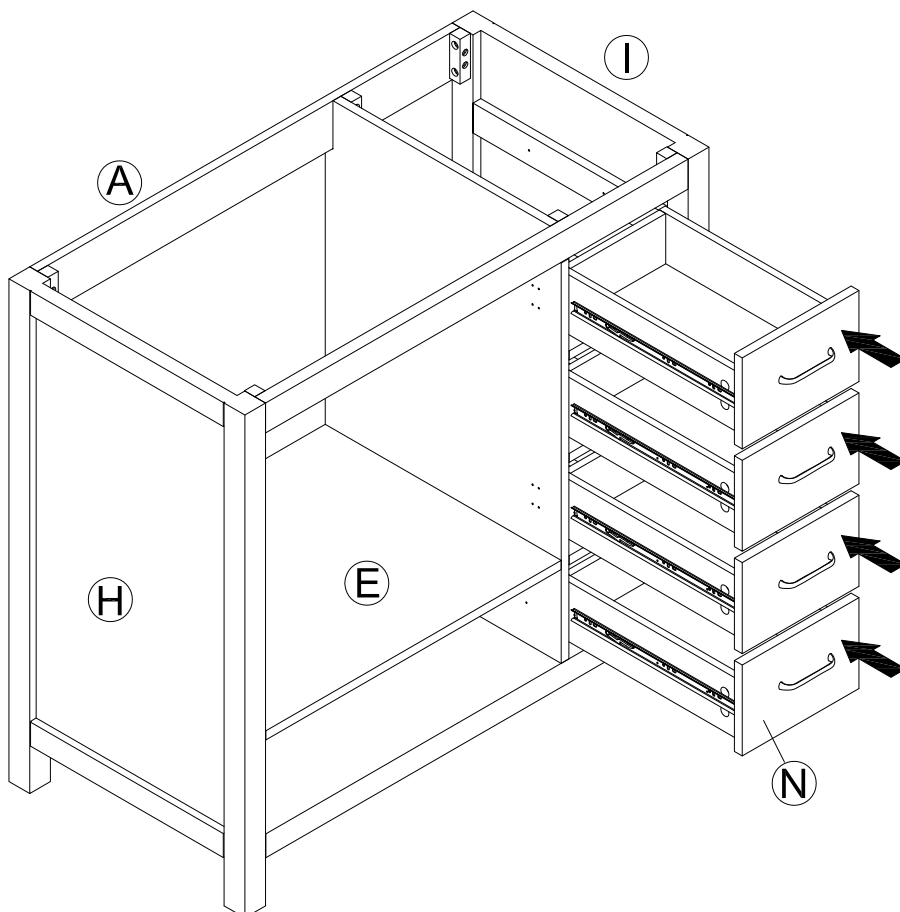
x 4

STEP 25


- ③  4pcs    ④  12pcs  
Ø3x10mm

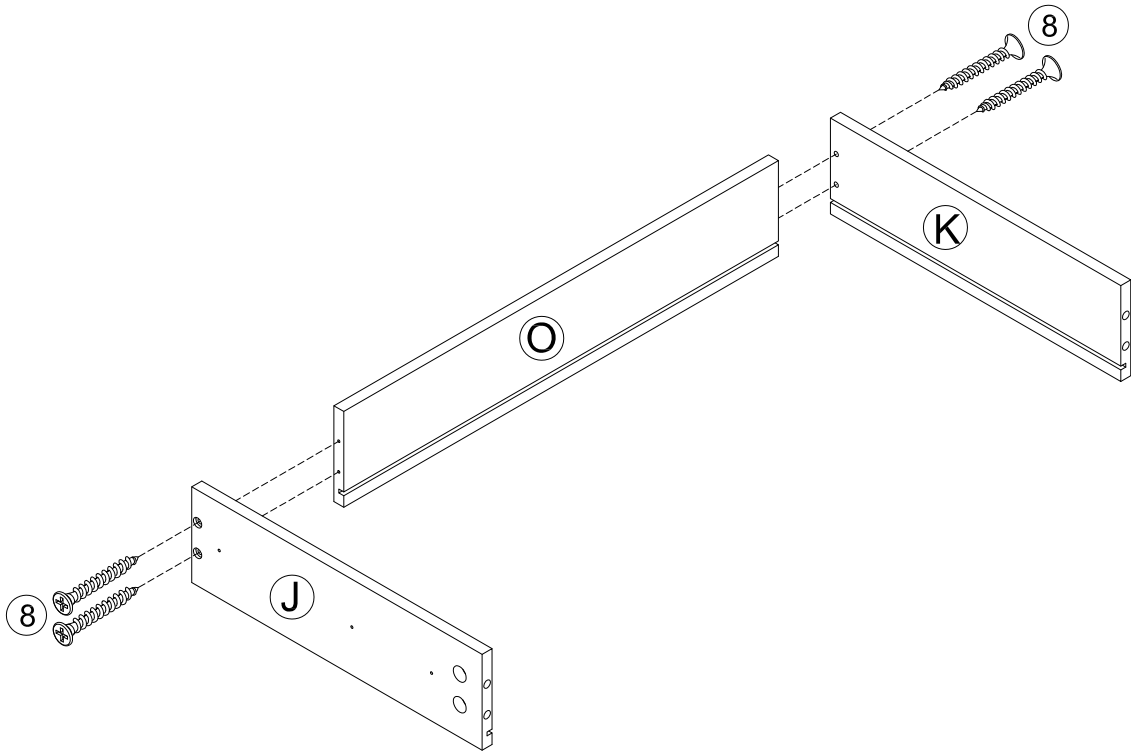


STEP 26

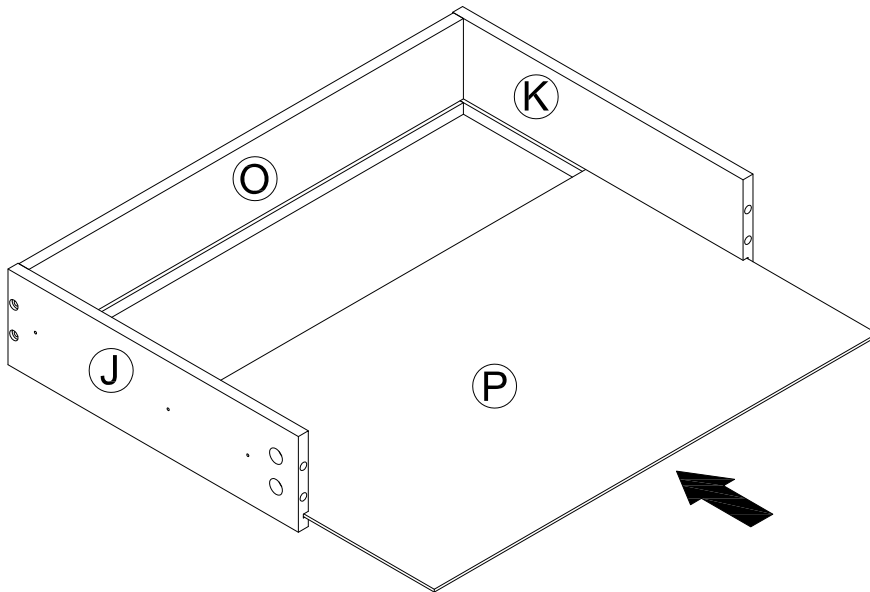


STEP 27


⑧  4pcs  
Ø4x25

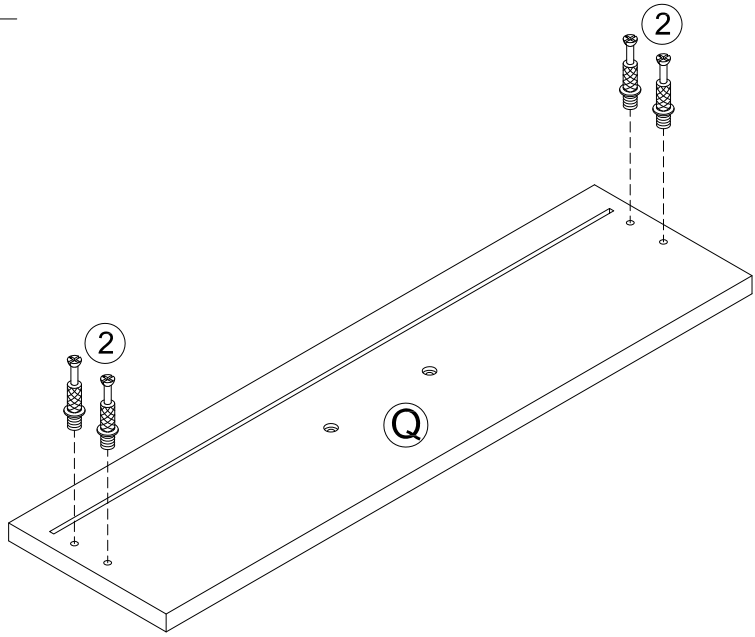


STEP 28



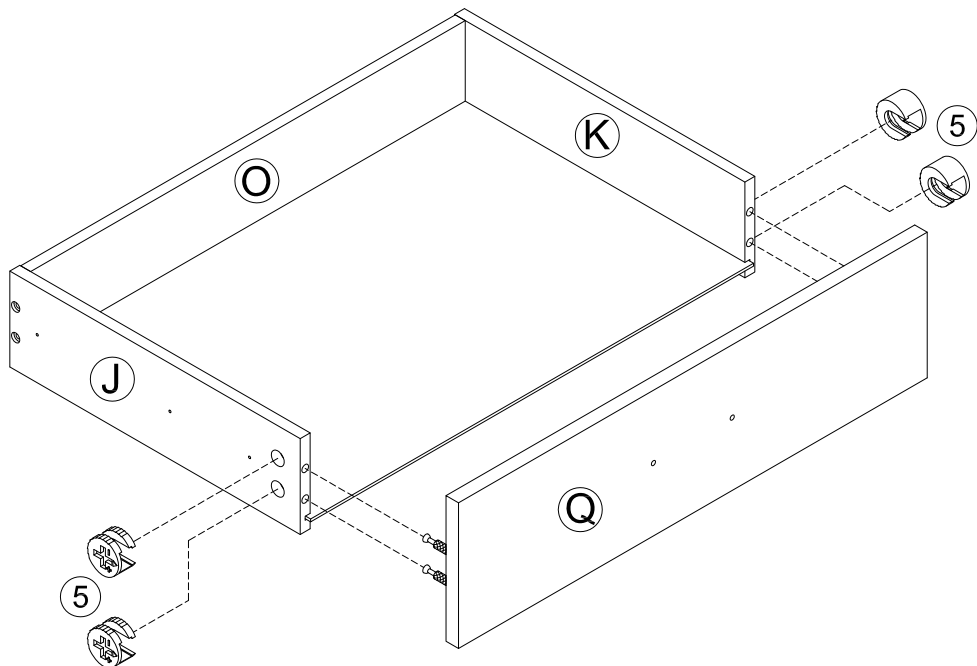
STEP 29

②  4pcs  
Ø6x33mm


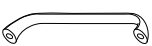


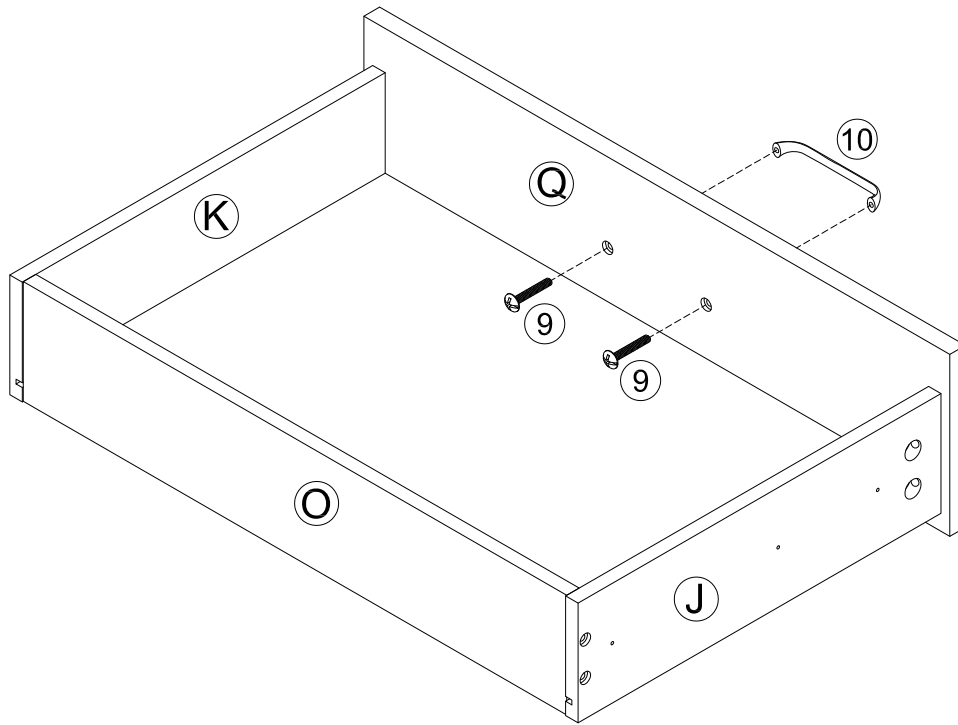
STEP 30

⑤  4pcs  
Ø15x9mm

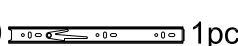
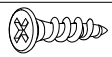


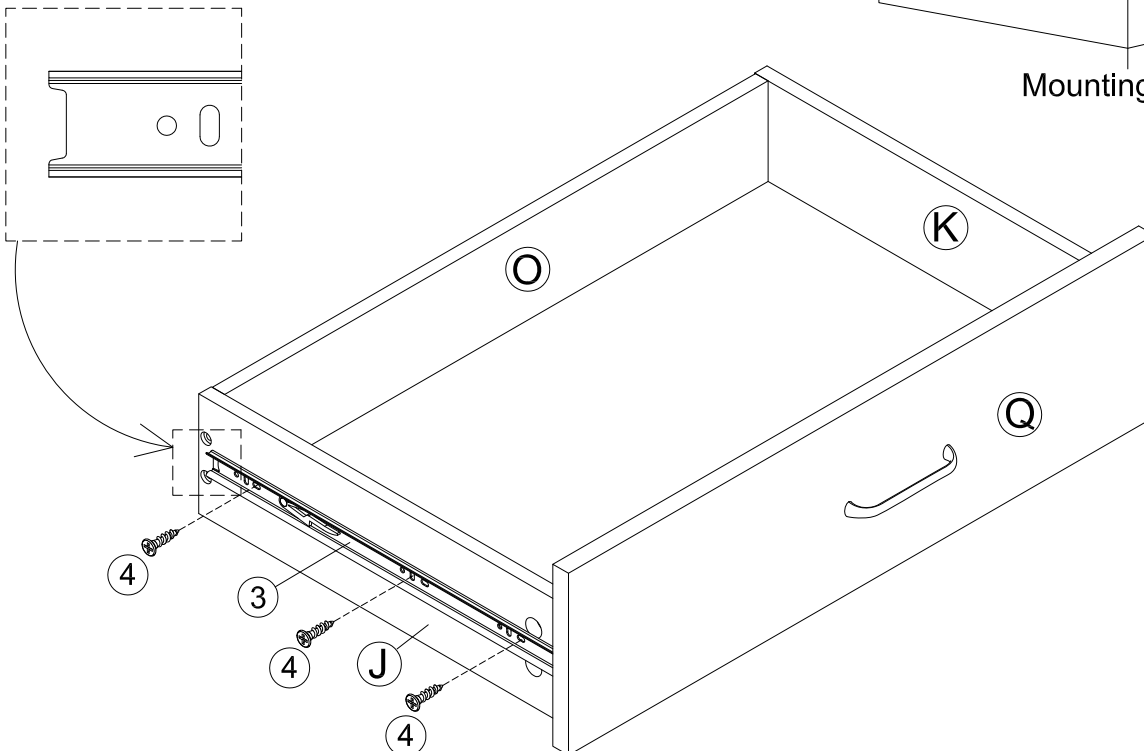
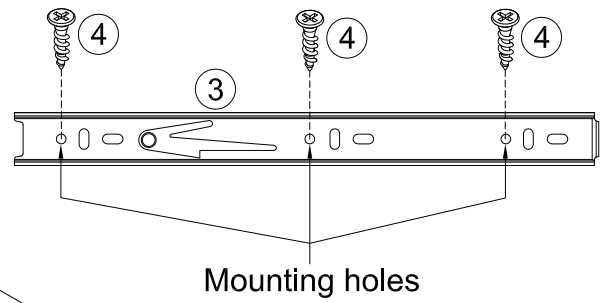
STEP 31

- ⑨  2pcs 5/32"x18mm
- ⑩  1pc



STEP 32

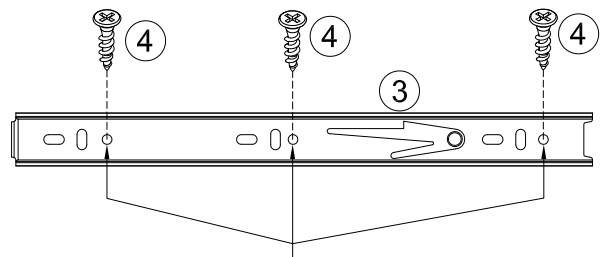
- ③  1pc
- ④  3pcs Ø3x10mm



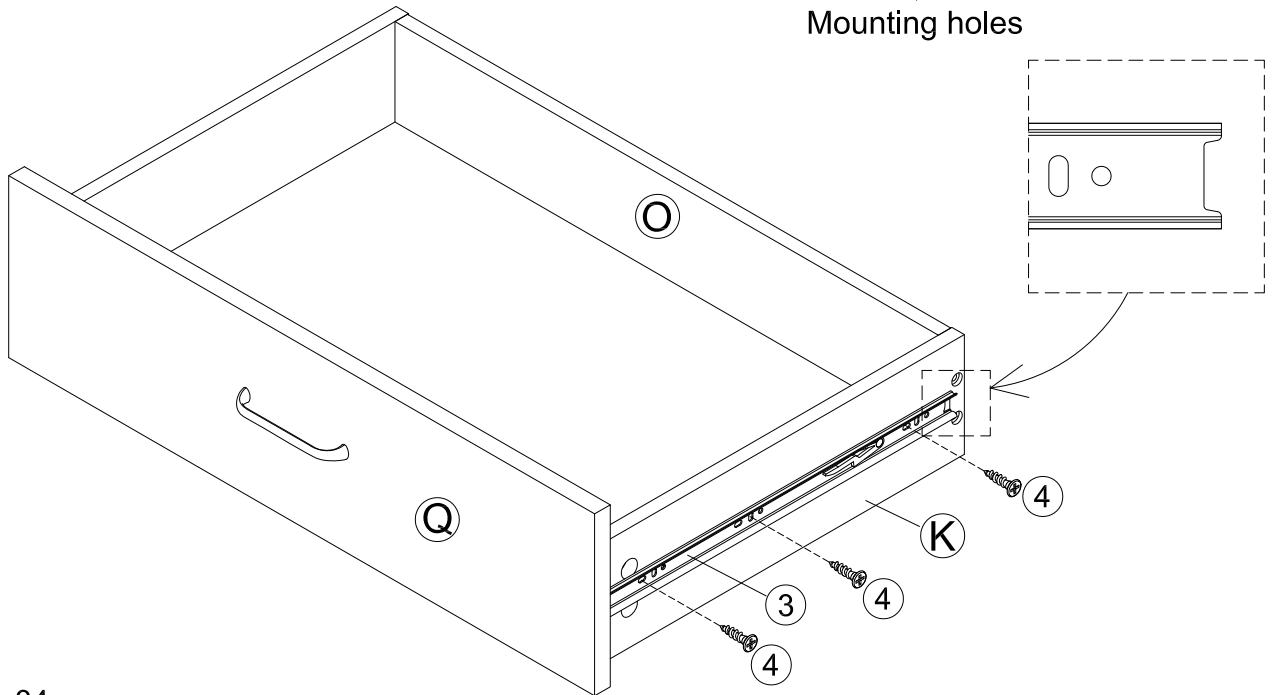
STEP 33

③ 1pc

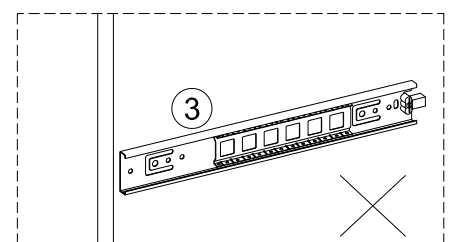
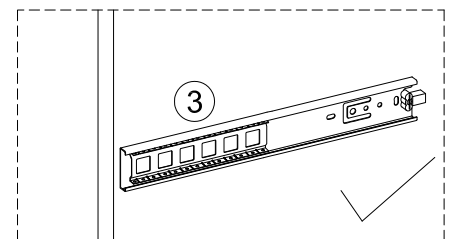
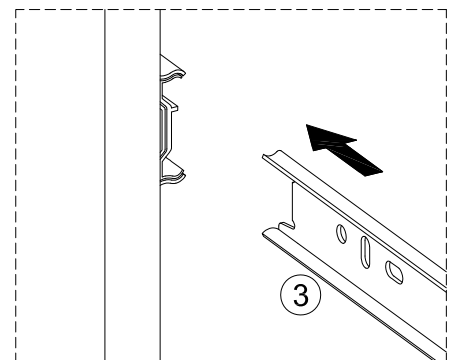
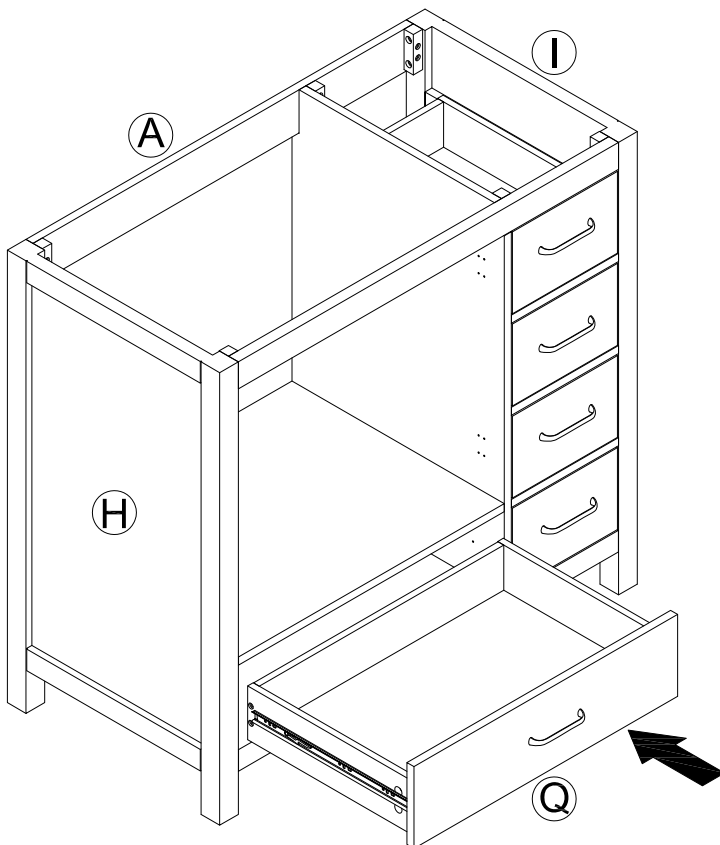
④ 3pcs  
Ø3x10mm



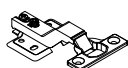
Mounting holes

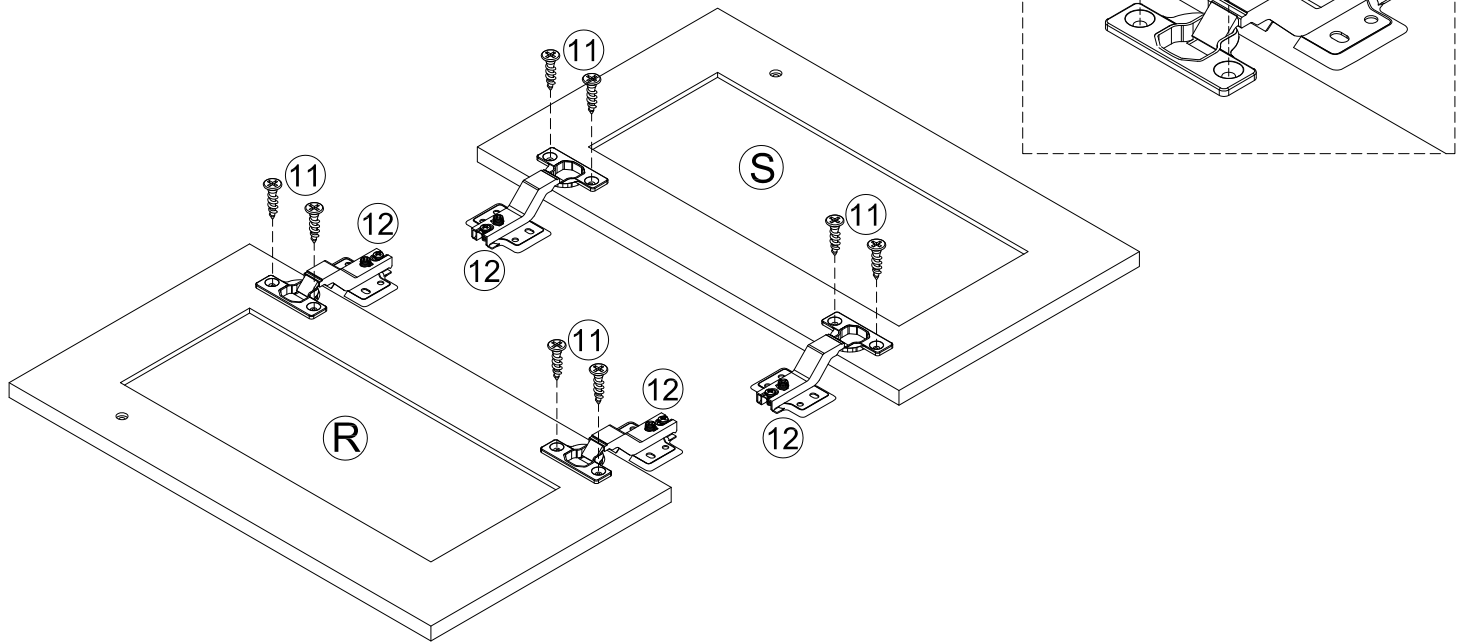


STEP 34



STEP 35

- 11  8pcs 12  4pcs  
 $\text{Ø}4 \times 12 \text{mm}$

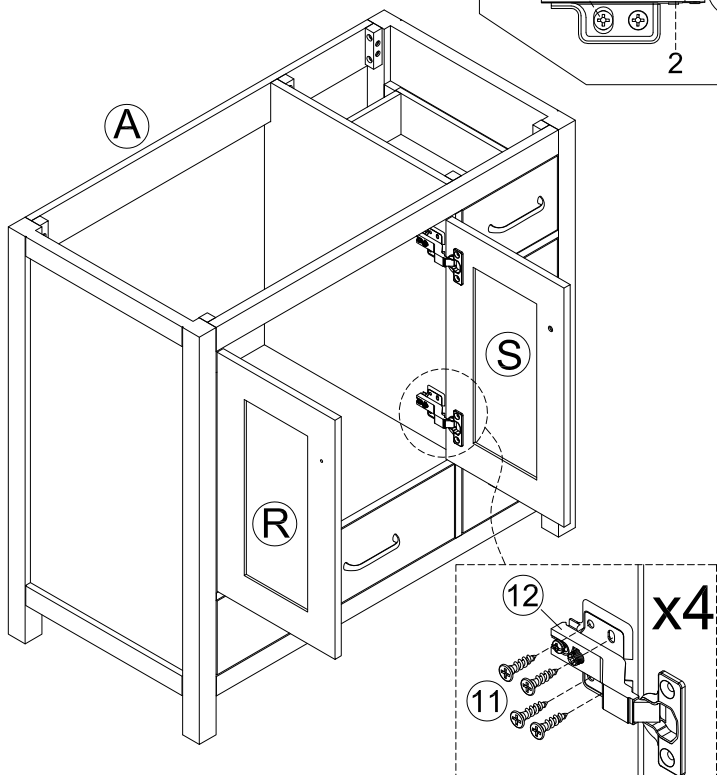
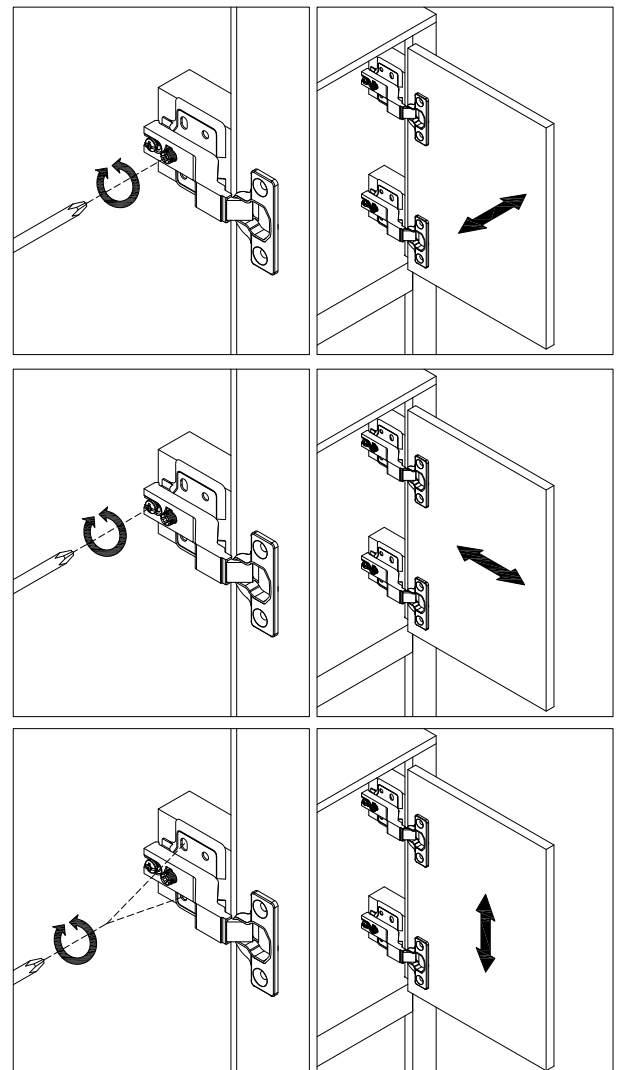
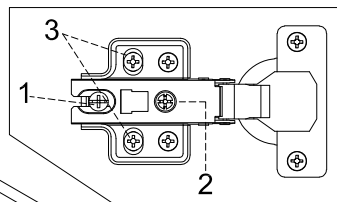


STEP 36

- 11  16pcs  
 $\text{Ø}4 \times 12 \text{mm}$

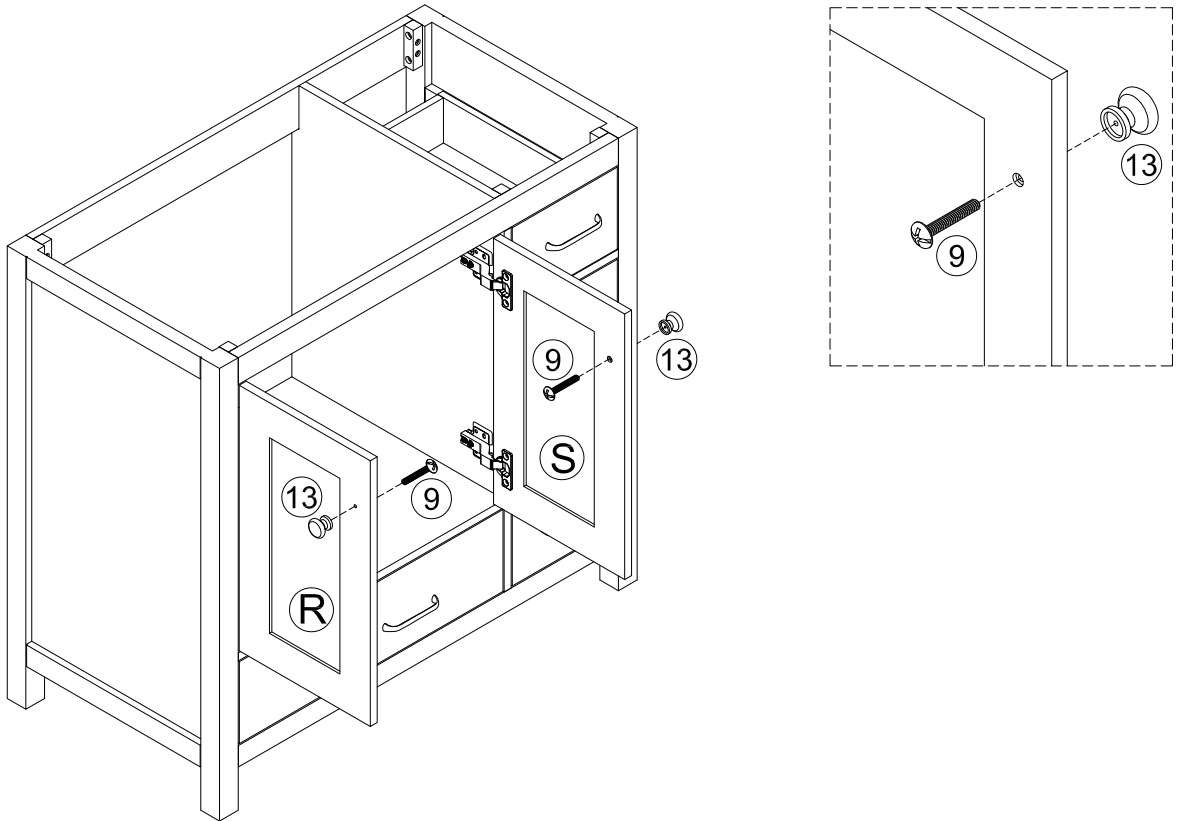
Three-way adjustable hinge for perfectly aligned doors

1. TO ADJUST DOOR FORWARD OR BACKWARD.
2. TO ADJUST DOOR TO RIGHT OR TO LEFT.
3. TO ADJUST DOOR UP OR DOWN.

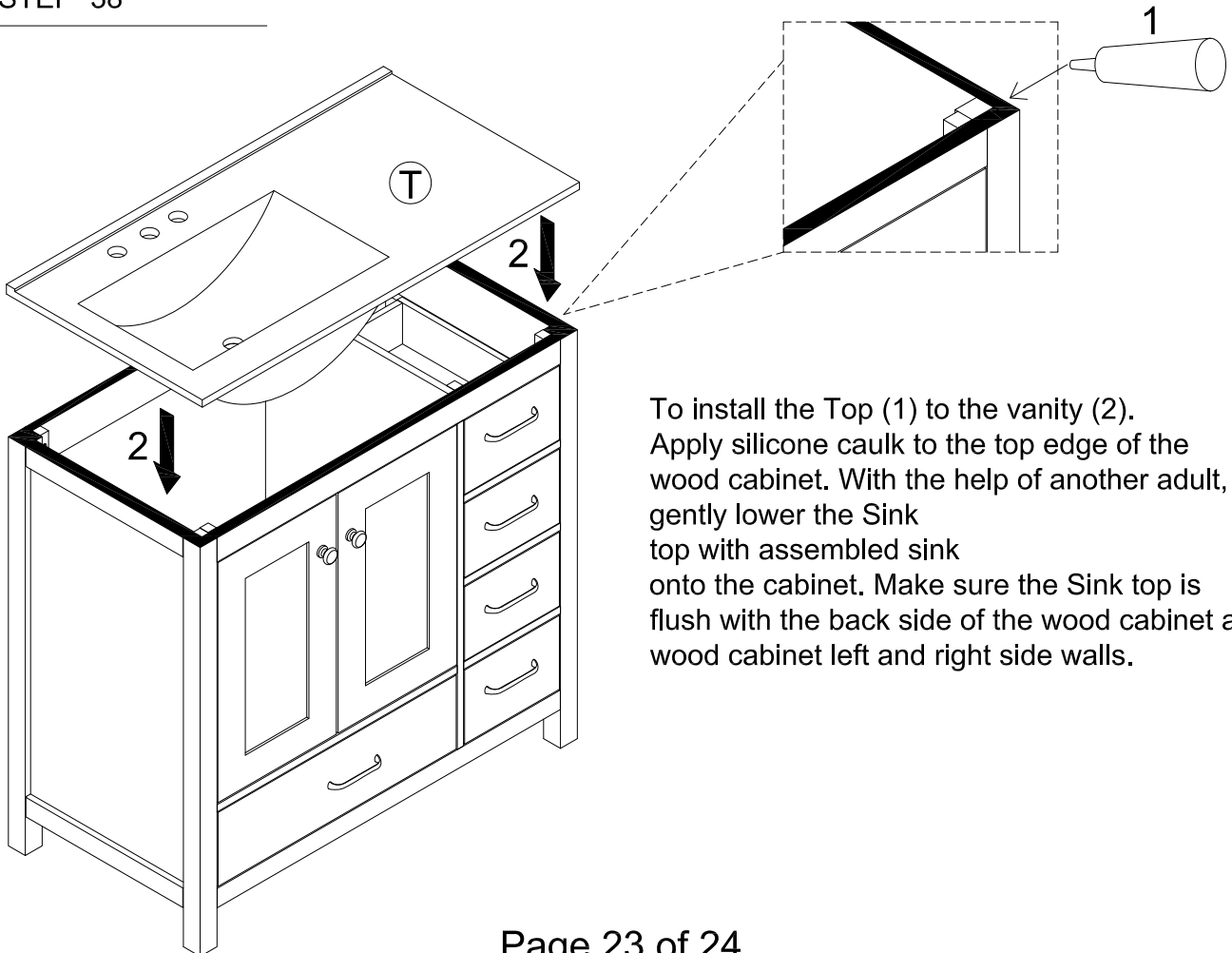


STEP 37

- ⑨ 5/32"x18mm 2pcs ⑬ 2pcs



STEP 38



To install the Top (1) to the vanity (2). Apply silicone caulk to the top edge of the wood cabinet. With the help of another adult, gently lower the Sink top with assembled sink onto the cabinet. Make sure the Sink top is flush with the back side of the wood cabinet and the wood cabinet left and right side walls.

