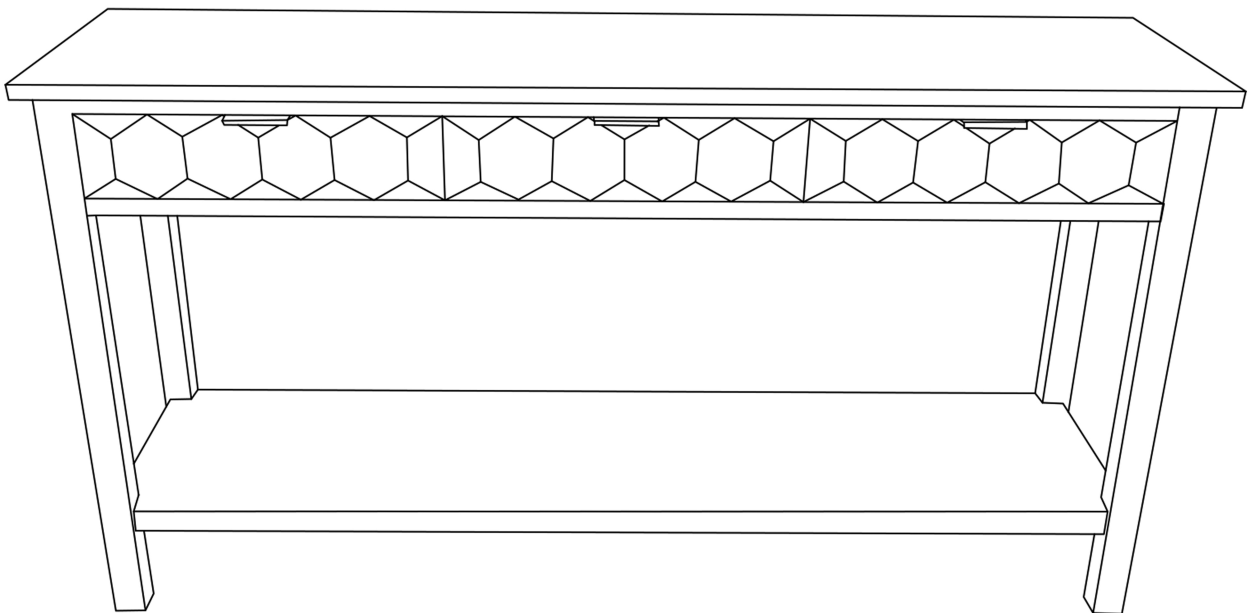


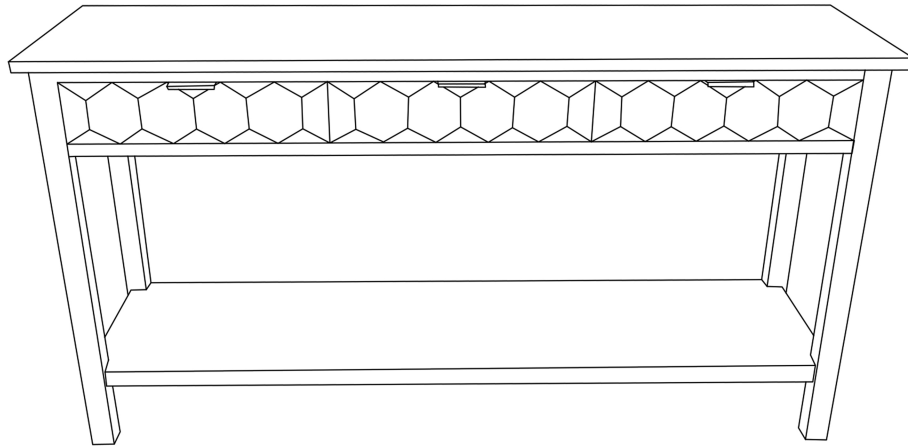
SKU :N711P230811



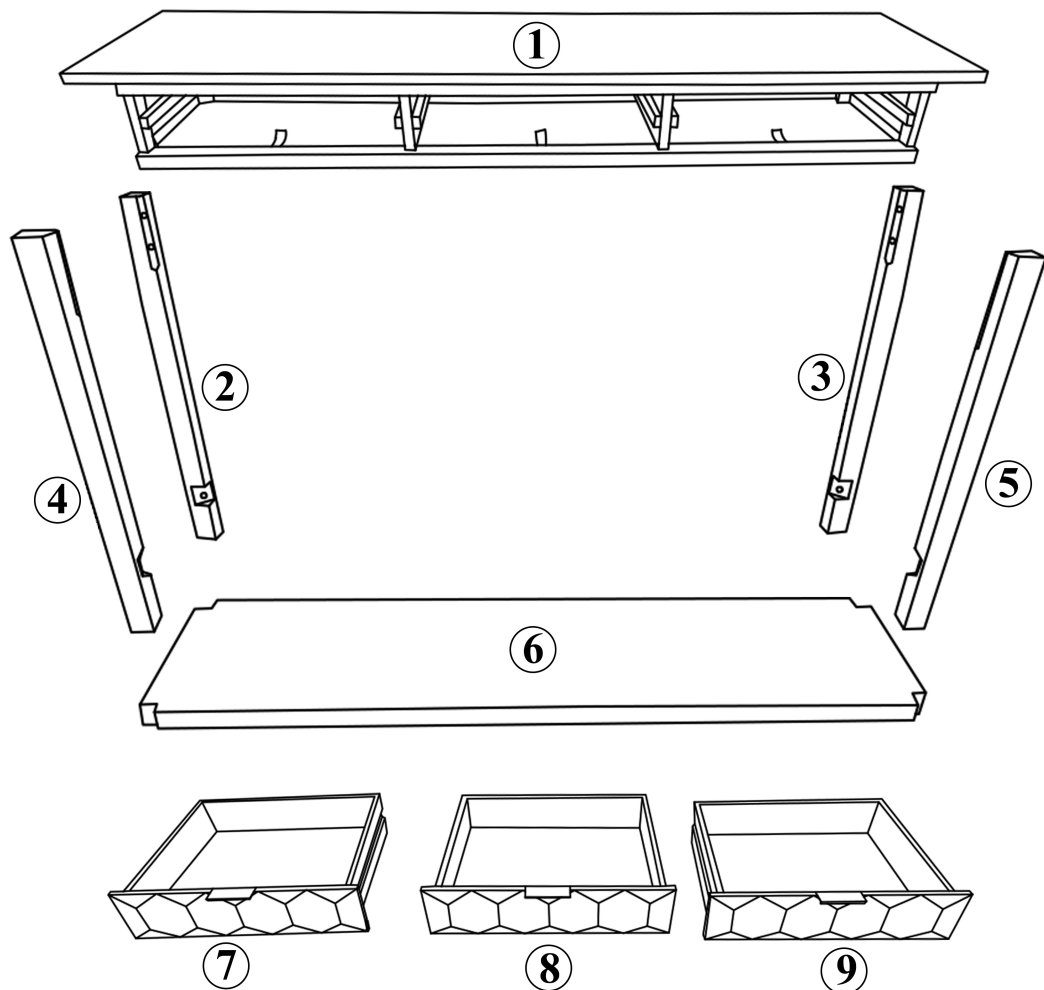
1.Note:This is not clothing storage cabinet and it is not recommended to use it as a clothing storage cabinet.

2.All cabinets come with TRD ,stainless steel or our "L-Bracket"when shipped.


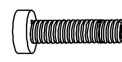

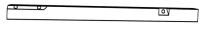




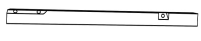



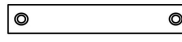
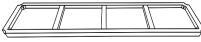

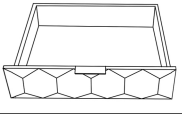
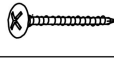
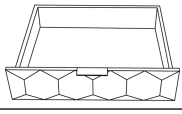
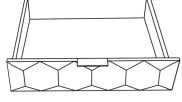
SKU :N711P230811



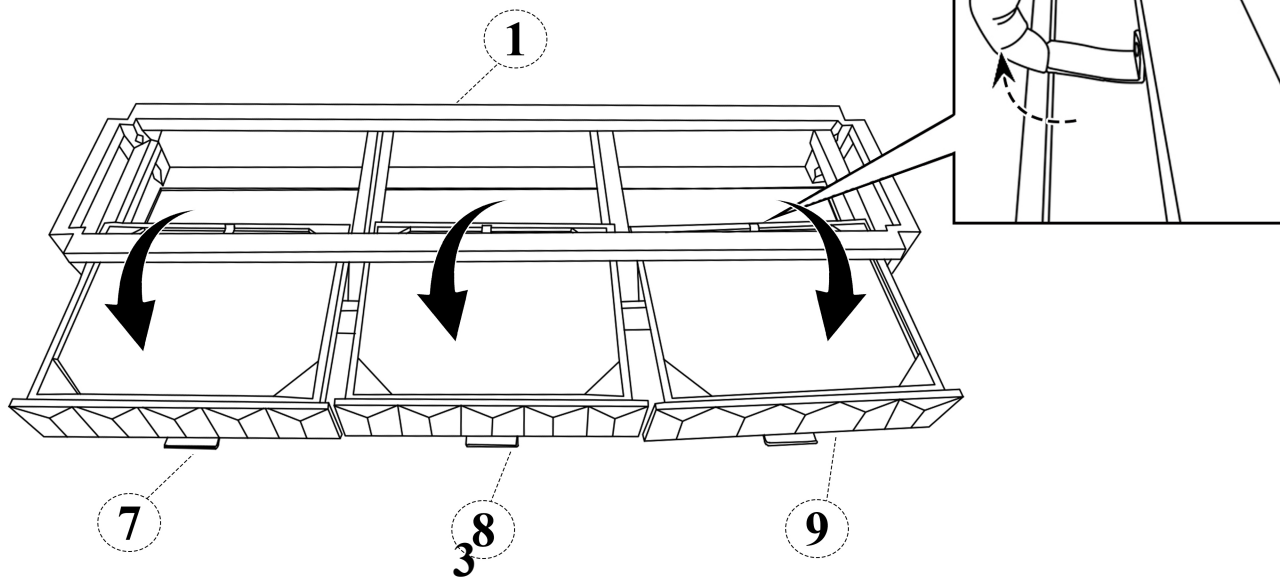
Part list



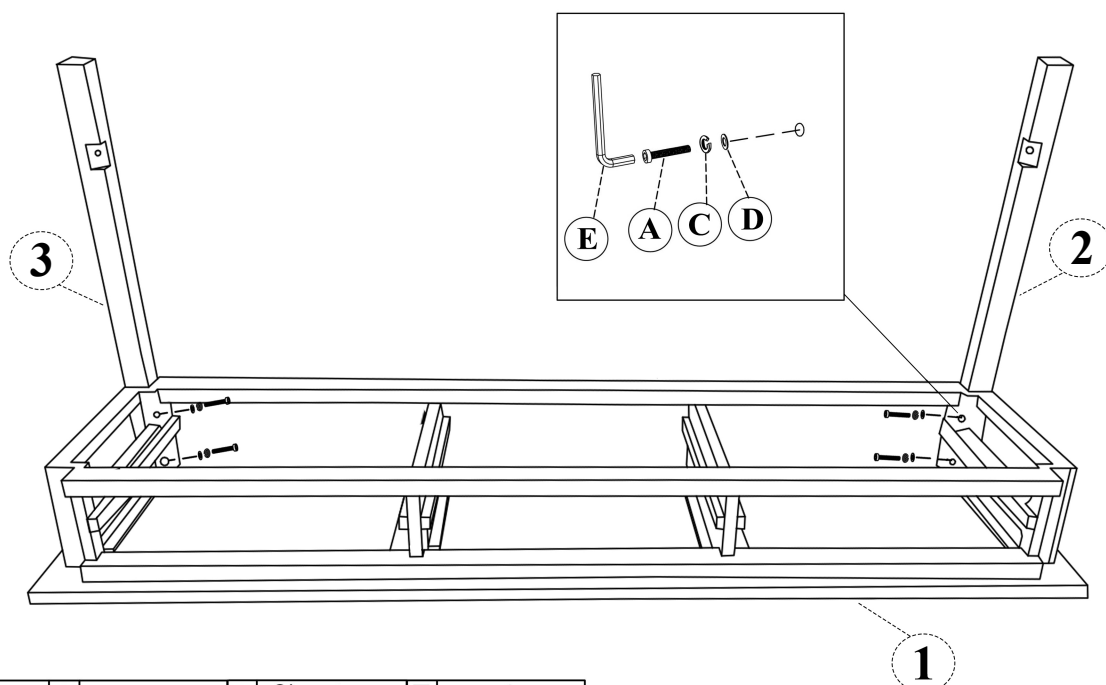
TWO CARTONS /HARDWARE LIST





PART LISTS				HARDWARE LIST			
NO	DESCRIPTION	SKETCH	Q'TY	NO	DESCRIPTION	SKETCH	Q'TY
①	TOP FRAME		1 PC	Ⓐ	BOLT Ø8*40mm		8 PCS
				Ⓑ	BOLT Ø8*55mm		4 PCS
②	LEFT LEG		1 PC	Ⓒ	FLAT WASHER Ø16*1mm		12 PCS
③	RIGHT LEG		1 PC	Ⓓ	FLAT WASHER Ø16*1mm		16 PCS
				Ⓔ	ALLEN KEY		1 PC
④	LEFT LEG		1 PC	Ⓕ	BOTTON		4 PCS
⑤	RIGHT LEG		1 PC	Ⓖ	NUT		2 PCS
				Ⓗ	PLASTC STRAP		2 PCS
⑥	BOTTOM FRAME		1 PC	Ⓘ	SCREW Ø5*14mm		2 PCS
⑦	LEFT DRAWER		1 PC	⓵	SCREW Ø4*35mm		2 PCS
⑧	MIDDLE DRAWER		1 PC				
⑨	RIGHT DRAWER		1 PC				

STEP 1

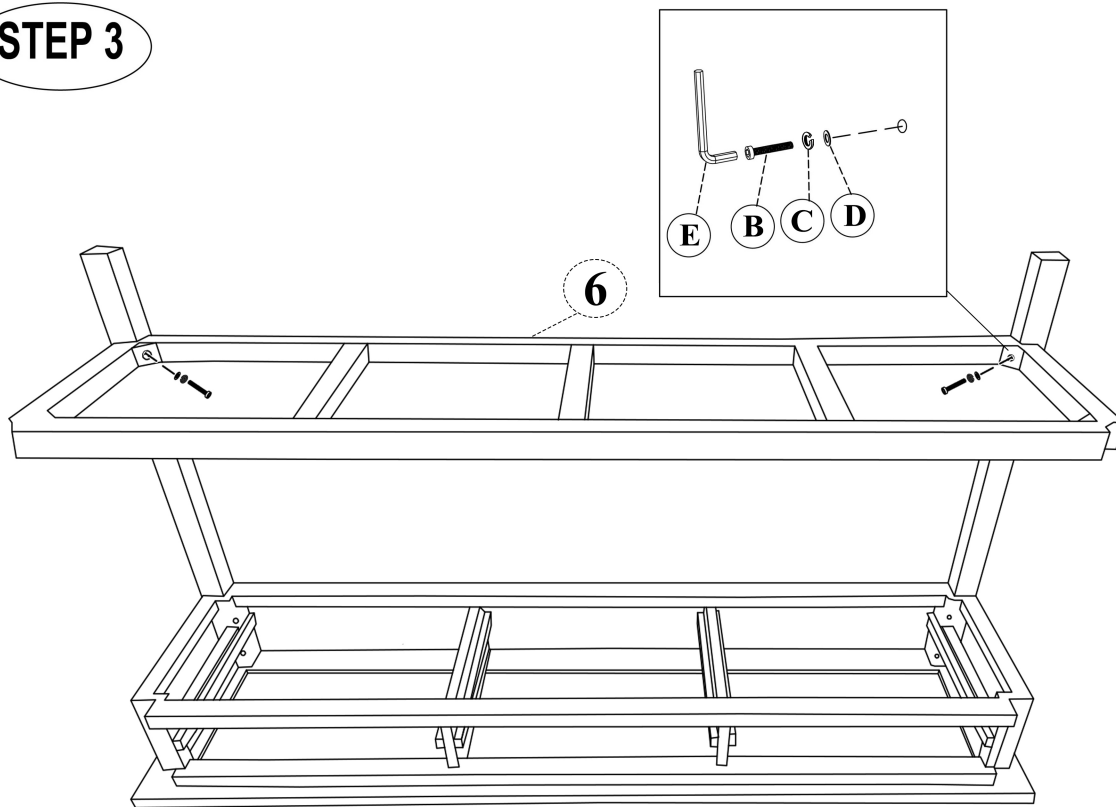


STEP 2



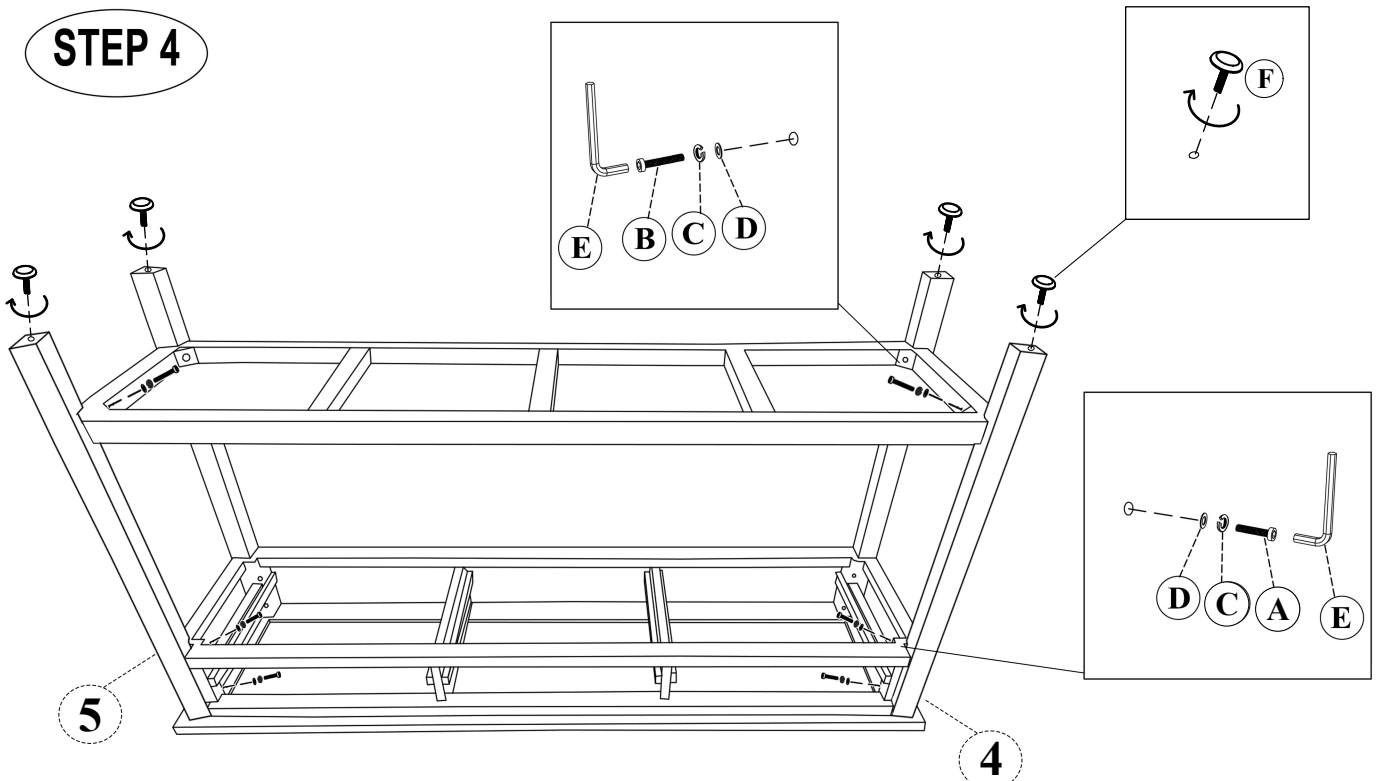
A	Q'ty : 4pcs	C	Q'ty : 4pcs	D	Q'ty : 4pcs	E	Q'ty : 1pc
							
Ø8*40mm		Ø16*1mm		Ø16*1mm			

STEP 3



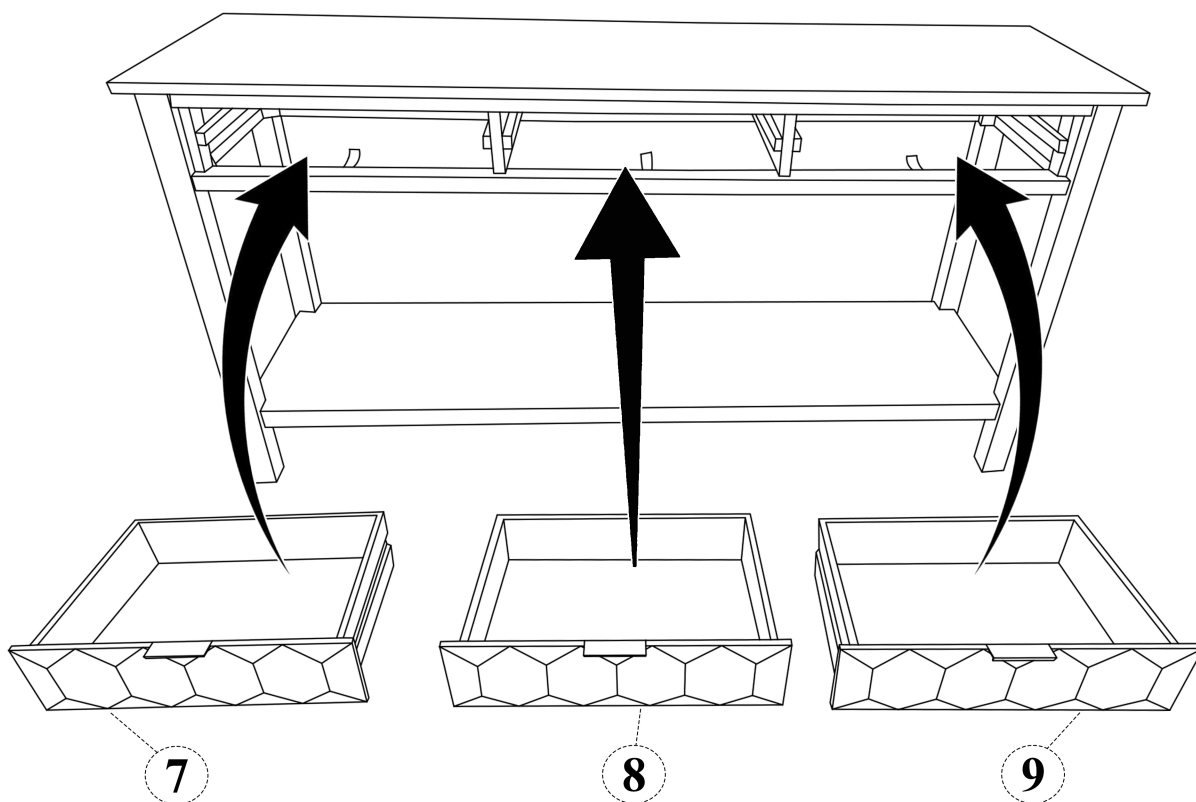
B	Q'ty : 2pcs	C	Q'ty : 2pcs	D	Q'ty : 2pcs	E	Q'ty : 1pc
Ø8*55mm		Ø16*1mm		Ø16*1mm			

STEP 4

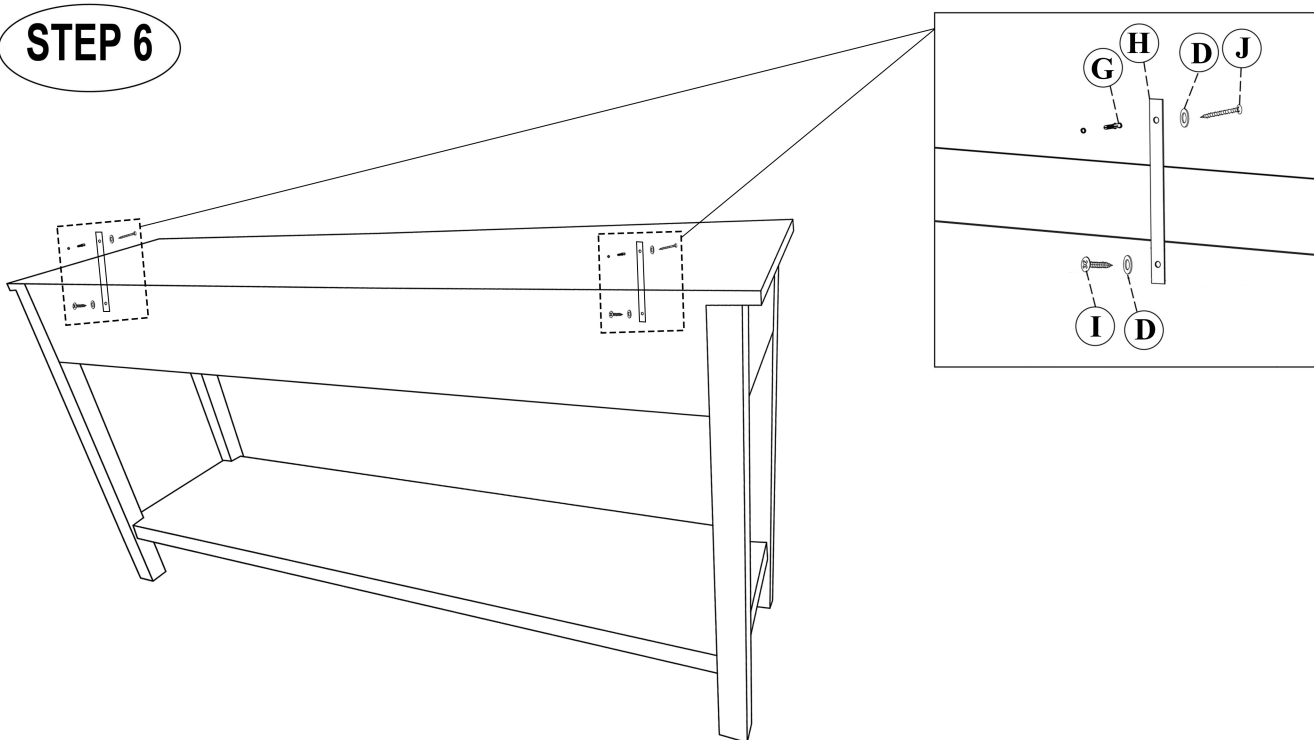



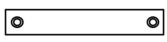

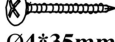

A	Q'ty : 4pcs	B	Q'ty : 2pcs	C	Q'ty : 6pcs	D	Q'ty : 6pcs	E	Q'ty : 1pc	F	Q'ty : 4pcs
Ø8*40mm		Ø8*55mm		Ø16*1mm		Ø16*1mm					

STEP 5



STEP 6



G Q'ty : 2pcs	H Q'ty : 2pcs	I Q'ty : 2pcs	J Q'ty : 2pcs	D Q'ty : 4pcs
		 Ø5*14mm	 Ø4*35mm	 Ø16*1mm