





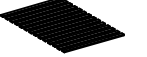
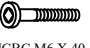




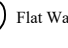




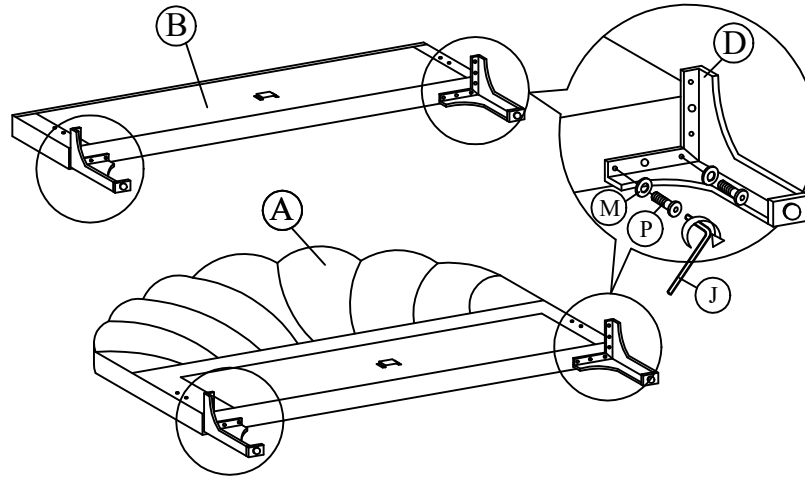


ASSEMBLY INSTRUCTION

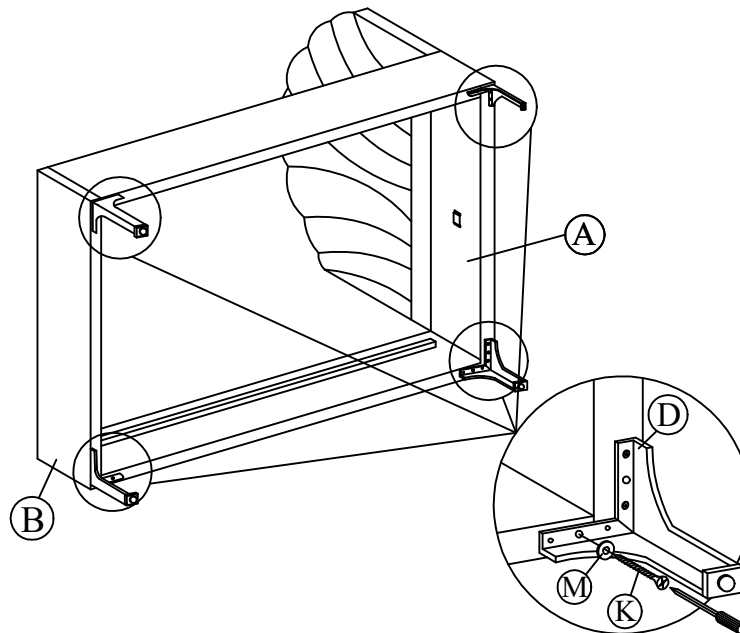
MODEL : CF 9434 (5')

A		1 pc
B		1 pc
C		2 pcs
D		4 pcs
E		1 pc
F		2 pcs
G		1 pc
H		2 pcs
I		1 pc
J		1 pc
K		6 pcs
L		31 pcs
M		12 pcs
N		2 pcs
O		8 pcs
P		8 pcs
Q		4 pcs

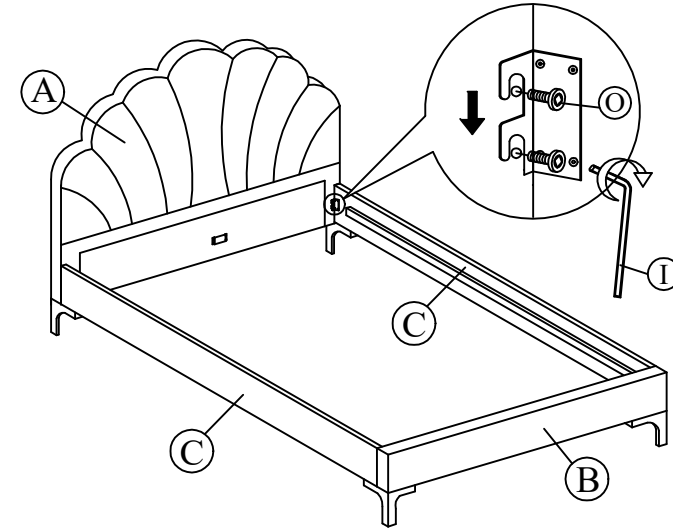
Step 1 : Tighten the legs (D) to both headboard (A) and footboard (B) as shown.



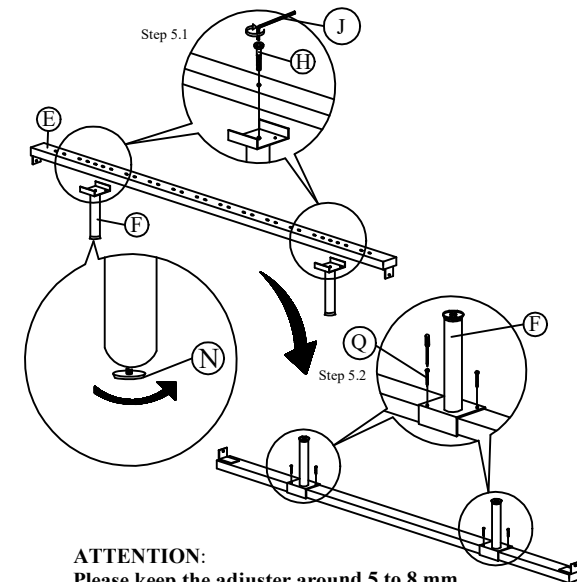
Step 3 : Tighten screws (K) using screwdriver (not included) to the footboard (B).



Step 2 : Attach side rail (C) to headboard (A) and footboard (B) by pushing the bracket down to fit it.

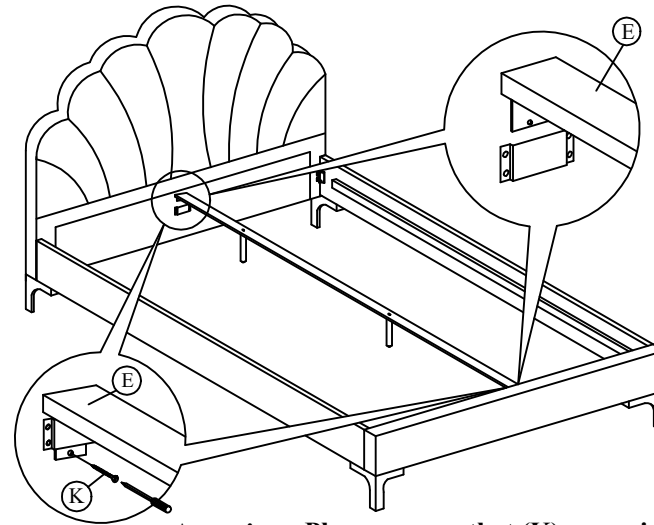


Step 4 : Attach the support legs (F) to the center rail (E) of the bed as shown.



ATTENTION:
Please keep the adjuster around 5 to 8 mm distant away from the floor.

Step 5 : Slide the center rail (E) to the headboard (A) and footboard (B). Tighten screws (K) using screw driver (not included) to the headboard (A) and footboard (B).



Attention : Please ensure that (K) screw is being attach as per the A.I shown to avoid base being collapse.

Step 6 : Affix the Slat (G) to the side rail support wood and the center rail (E). Tighten all the 4 corner.

