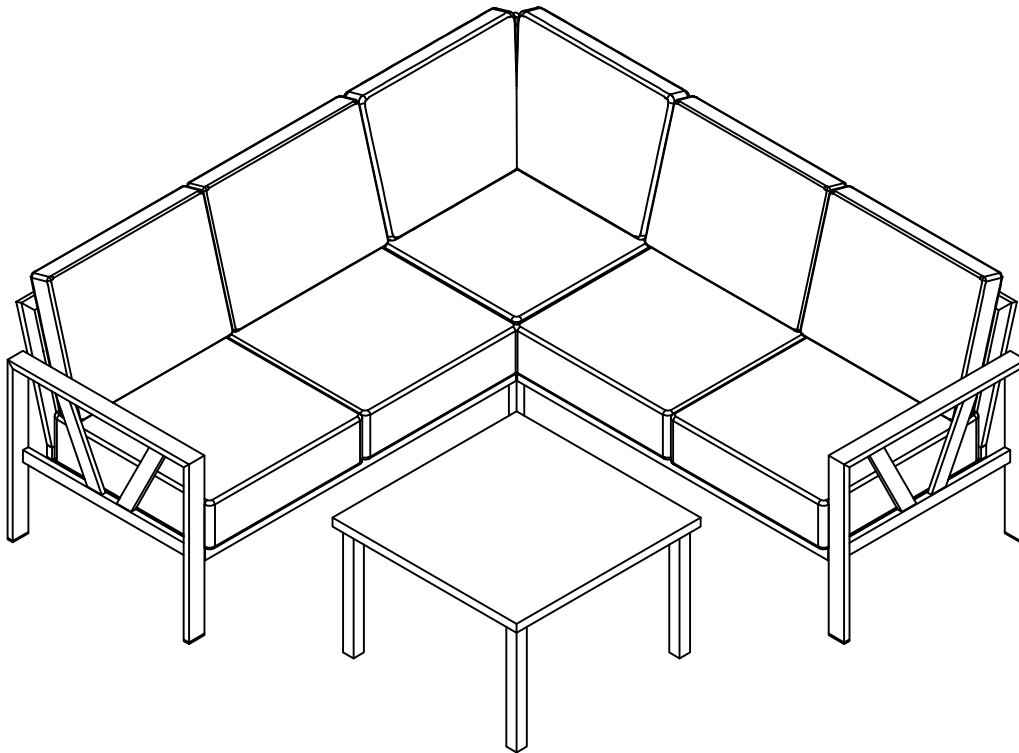




Sectional Sofa Seating
Assembly & Care instructions
Model number: RS24097-C4

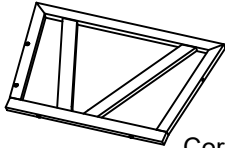
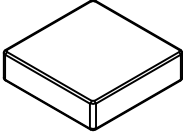
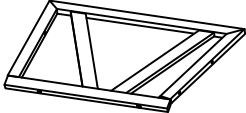
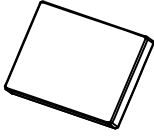
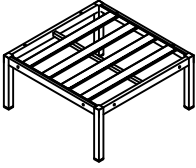
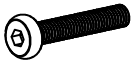
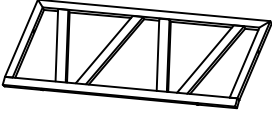

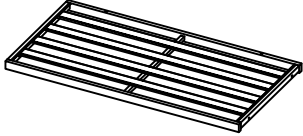

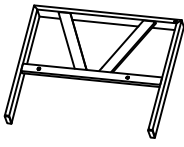

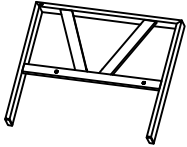



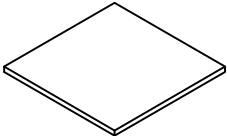
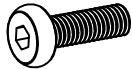
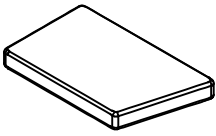





Warning

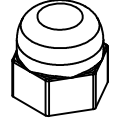

1. This set is mixed packed into 2 boxes, pls wait one more day if does not arrive on the same day.
2. Pls confirm all parts correct before assemble.
3. Do not tighten fastening fully until assembly is completed.
4. **DO NOT USE POWER TOOLS.** Power tools can overtighten screws and strip threads.
5. Please read & retain this manual for future reference .
6. Maximum Load: Chair 350lbs & Table 125lbs.
7. Vacuum-compressed seat cushions will return to its normal shape after 2 days of use.

If you have any questions, feel free to contact us info@comlax-intl.com

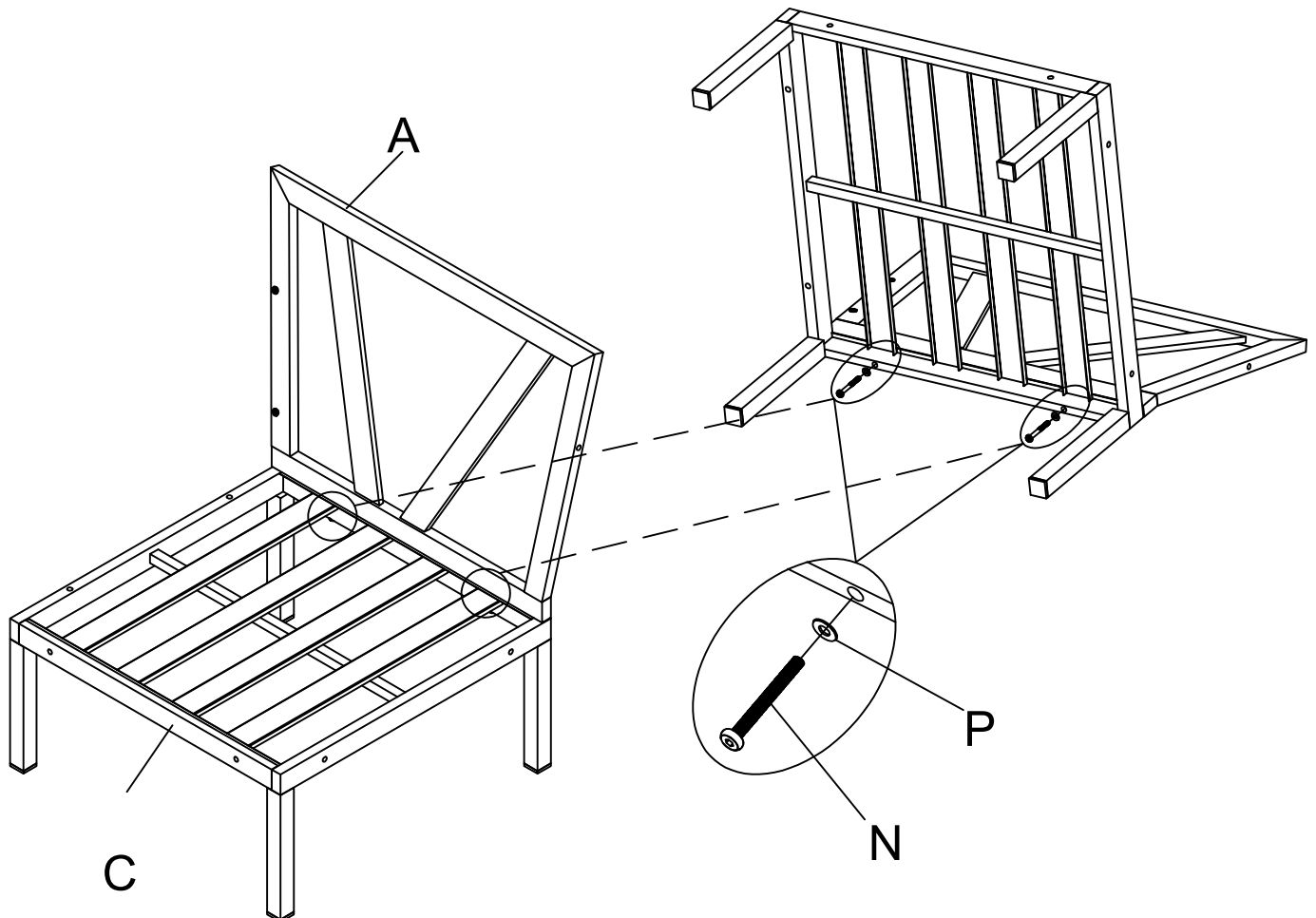
PARTS LIST

CODE	PARTS	QTY.	CODE	PARTS	QTY.
A	 Corner Back-L	1pcs	K	 Seat Cushion	5pcs
B	 Corner Back-R	1pcs	L	 Back Cushion	4pcs
C	 Corner Seat	1pcs	M	 M6x35mm	4pcs
D	 Double Back	2pcs	N	 M6x55mm	12pcs
E	 Double Seat	2pcs	O	 M6x90mm	2pcs
F	 Armrest-R	1pcs	P	 Washer Ø6*14	40pcs
G	 Armrest-L	1pcs	Q	 Nut (M6)	6pcs
H	 Table leg	4pcs	R	 Allen Key	1pcs
I	 Table Top	1pcs	S	 M6*15mm	12pcs
J	 Corner Back Cushion	2pcs	T	 M6*50mm	4pcs

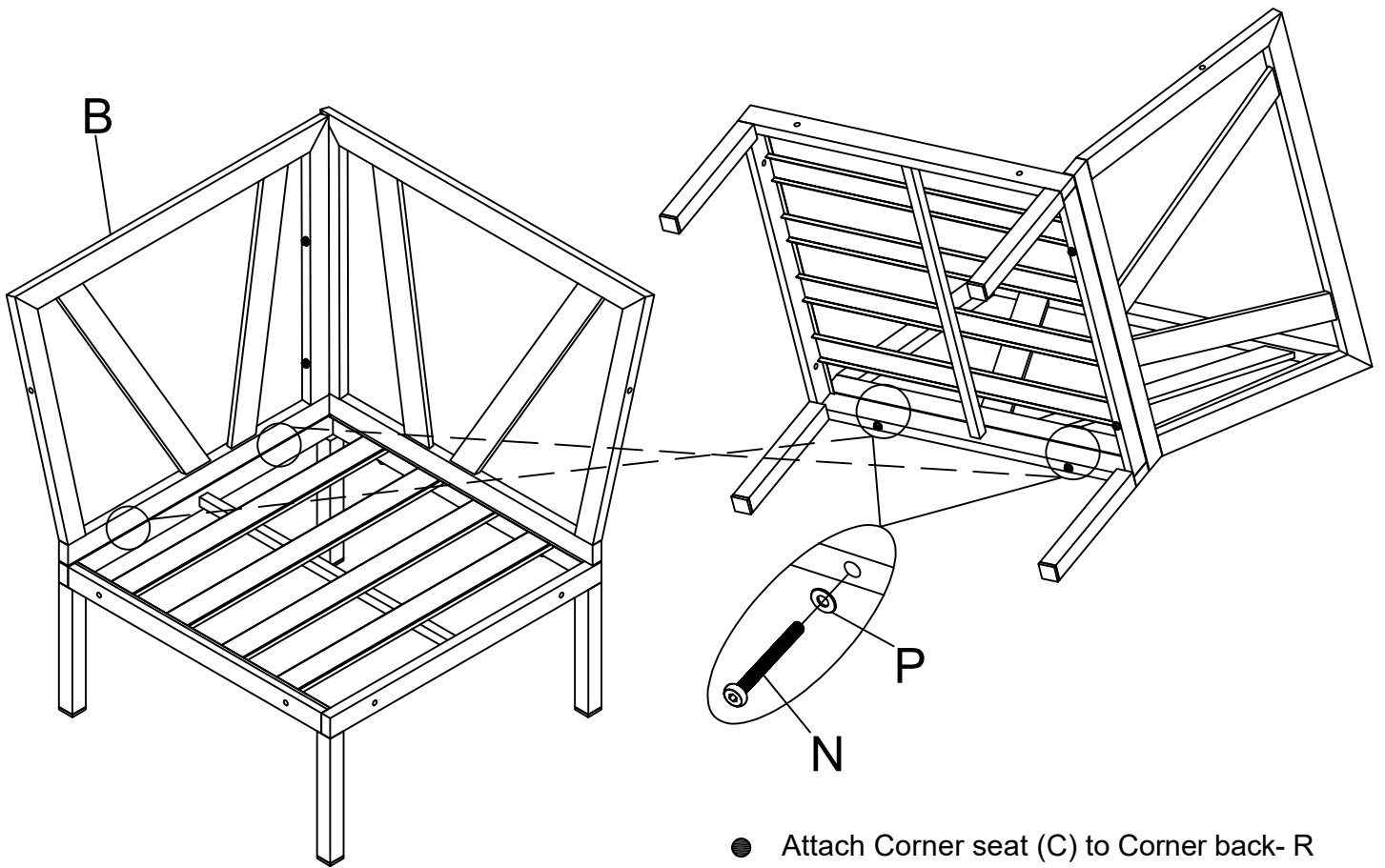
CODE	PARTS	QTY.
U	 Bolt Cap (M6)	34pcs
W	 Spanner	1pcs

CODE	PARTS	QTY.
V	 Nut Cap (M6)	6pcs
X	 Furniture Cover	1pcs

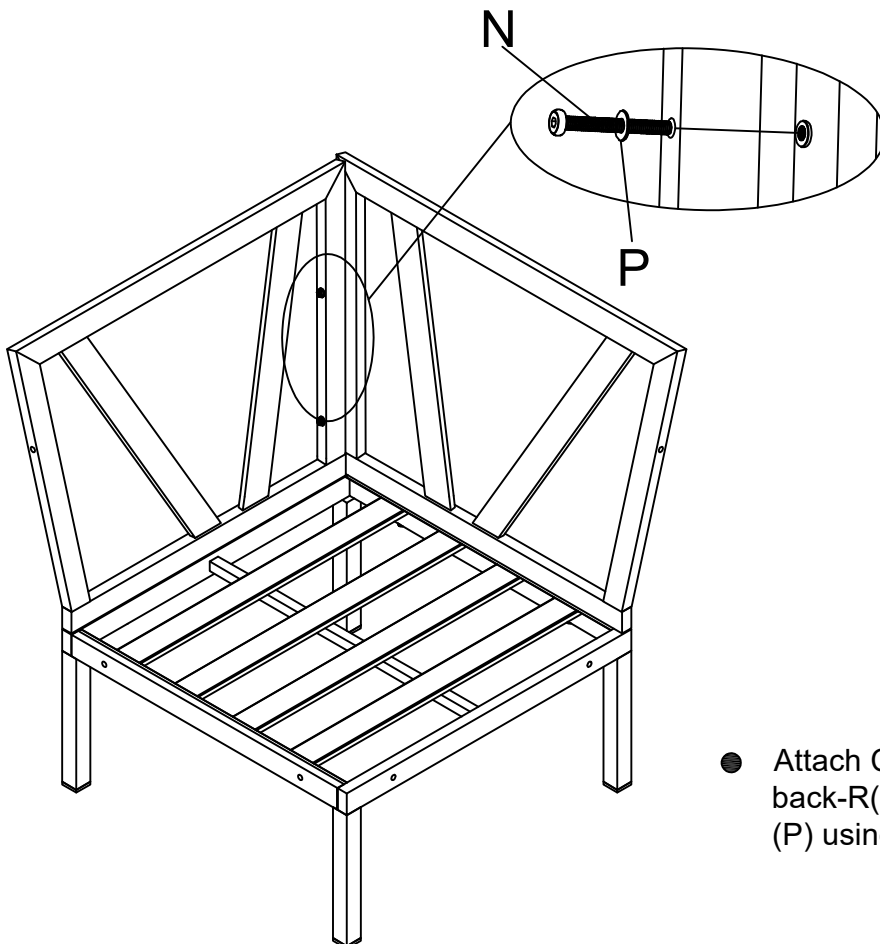
ATTENTION: Do not fully tighten until assembly is complete!



- Attach Corner seat (C) to Corner back- L (A) with 2 bolts (N) and 2 washers (P) using Allen Key (R) as shown.



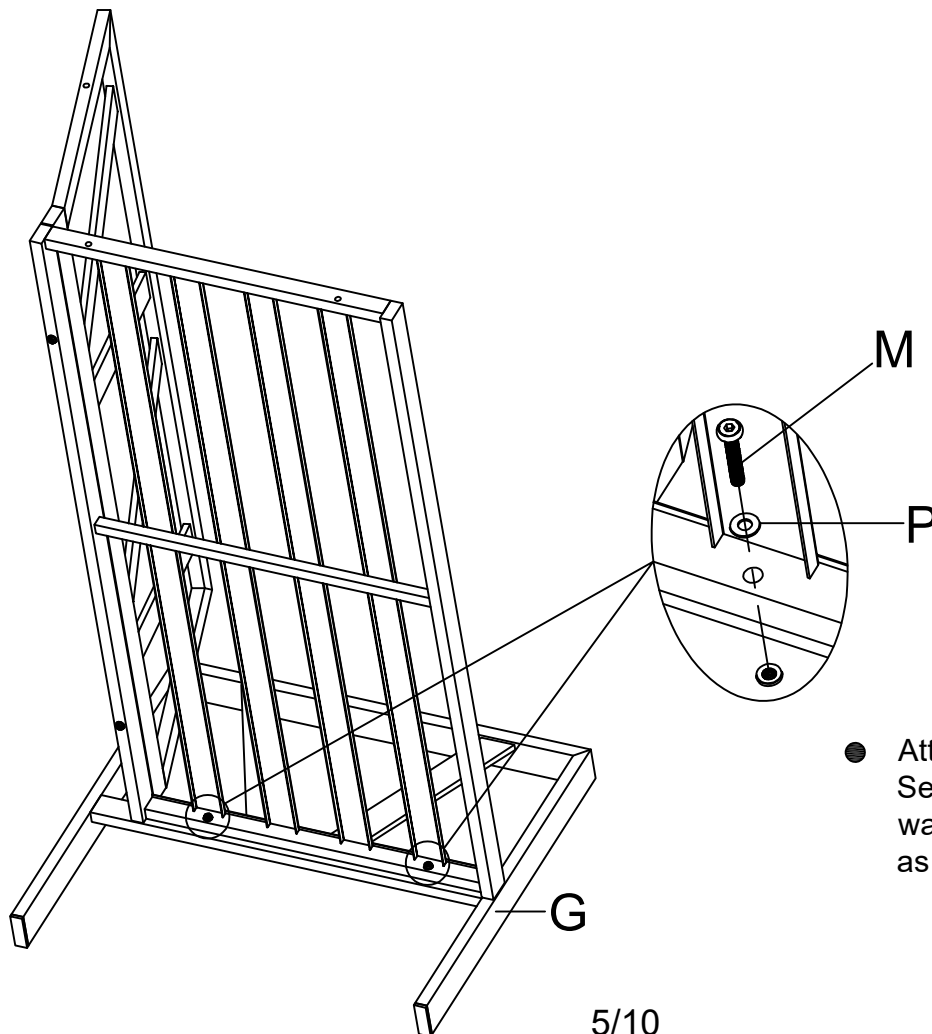
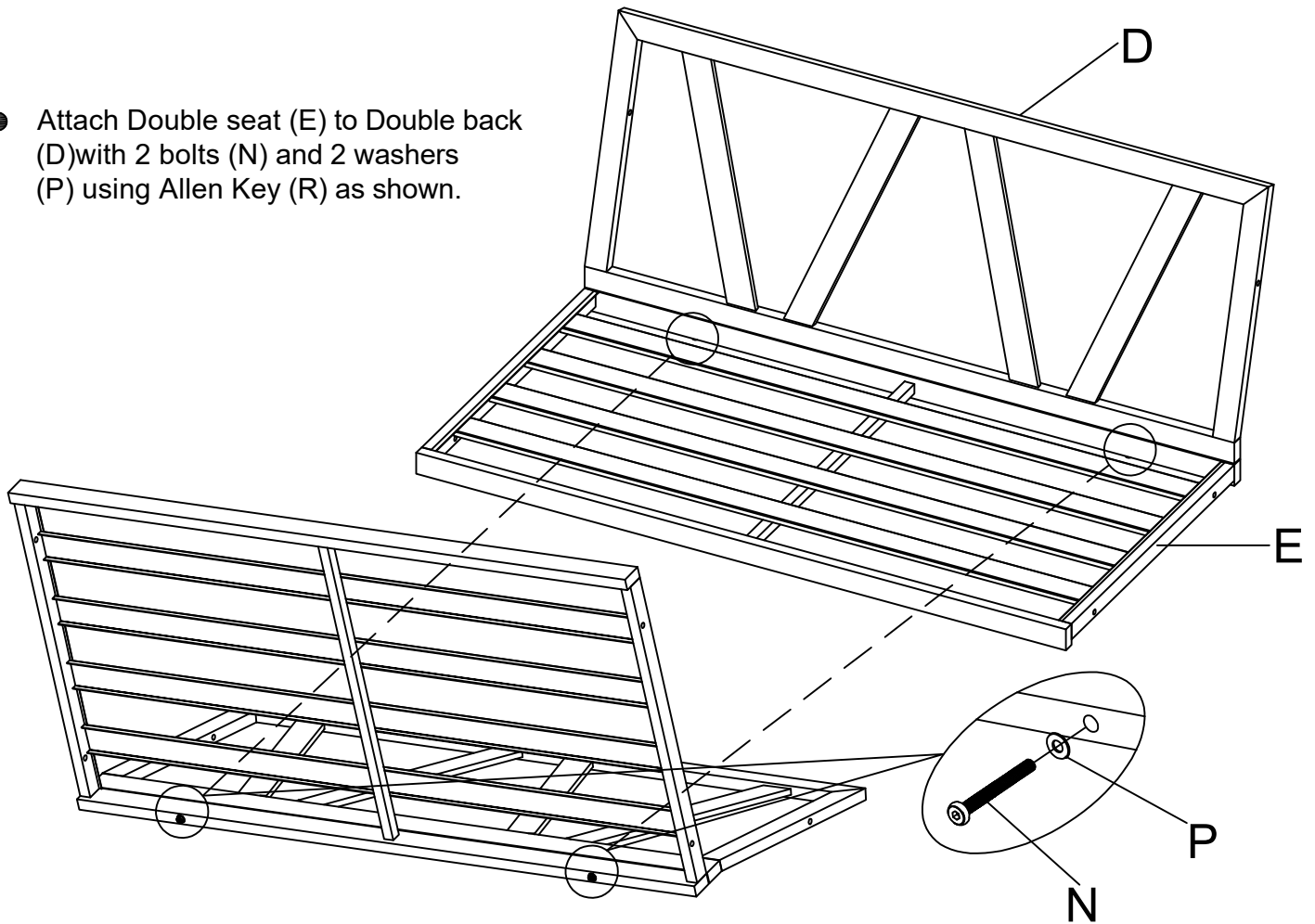
- Attach Corner seat (C) to Corner back- R (B) with 2 bolts (N) and 2 washers (P) using Allen Key (R) as shown.



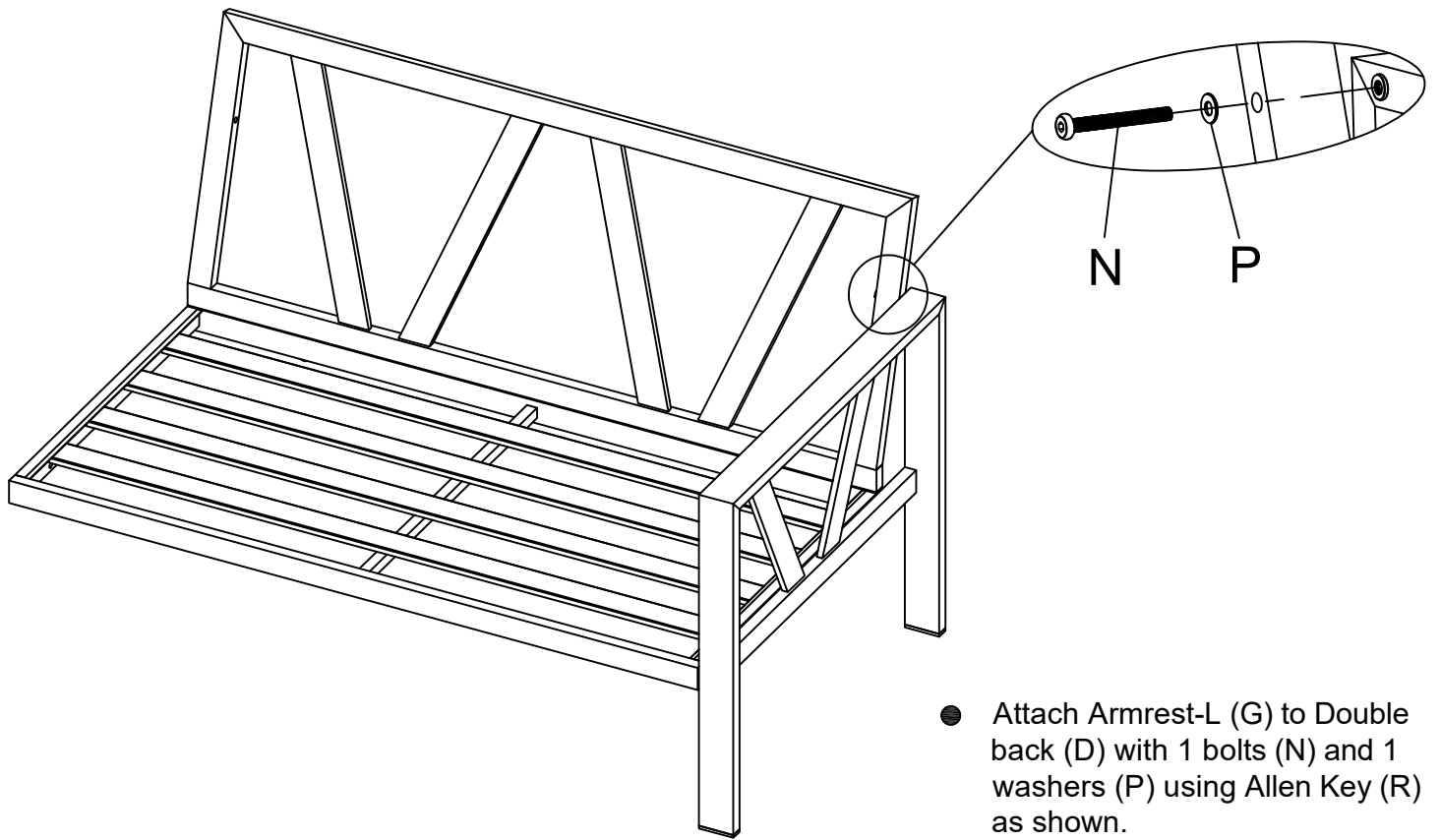
- Attach Corner back-L (A) to Corner back-R(B) with 2 bolts (N) and 2 washers (P) using Allen Key (R) as shown.

ATTENTION: Do not fully tighten until assembly is complete!

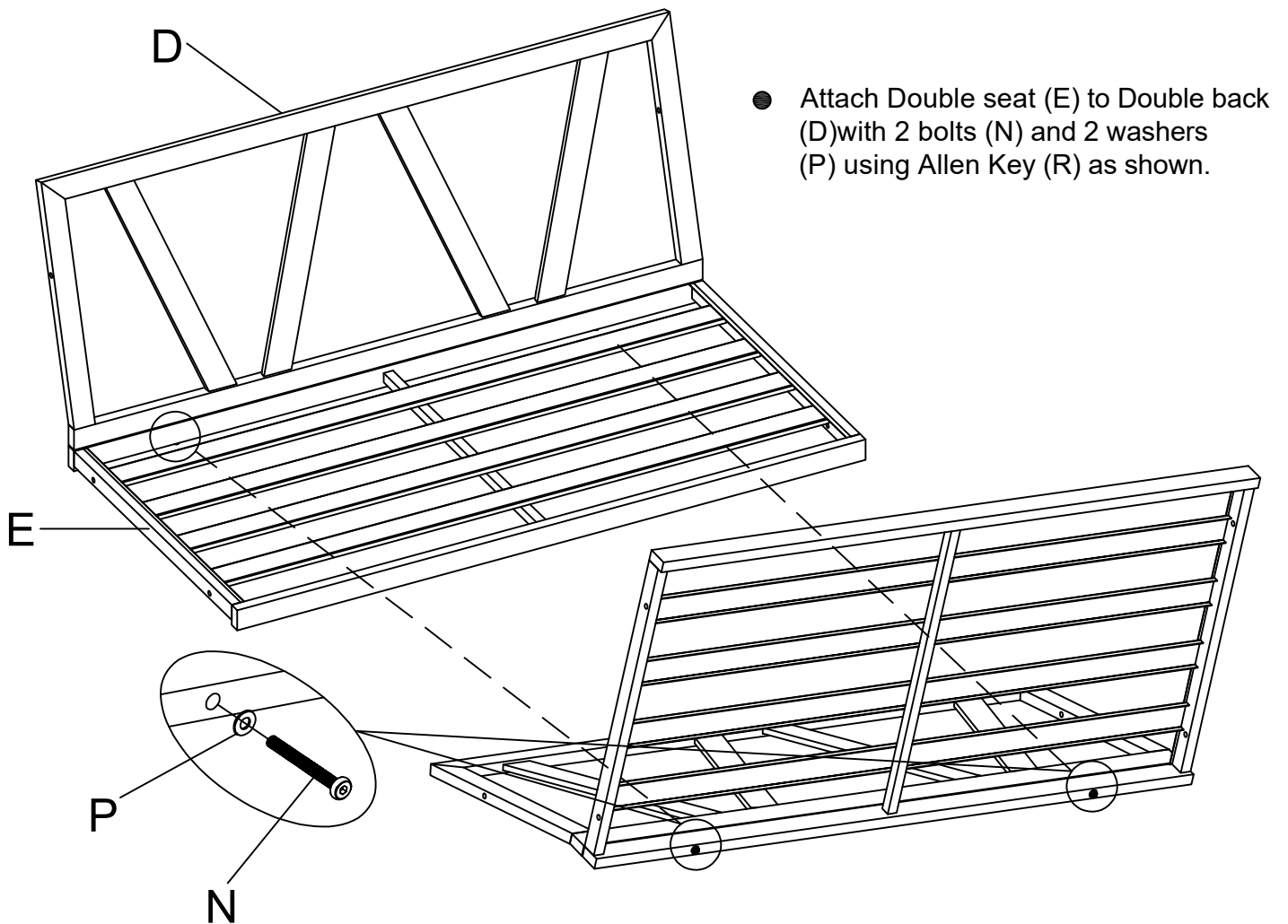
- Attach Double seat (E) to Double back (D) with 2 bolts (N) and 2 washers (P) using Allen Key (R) as shown.

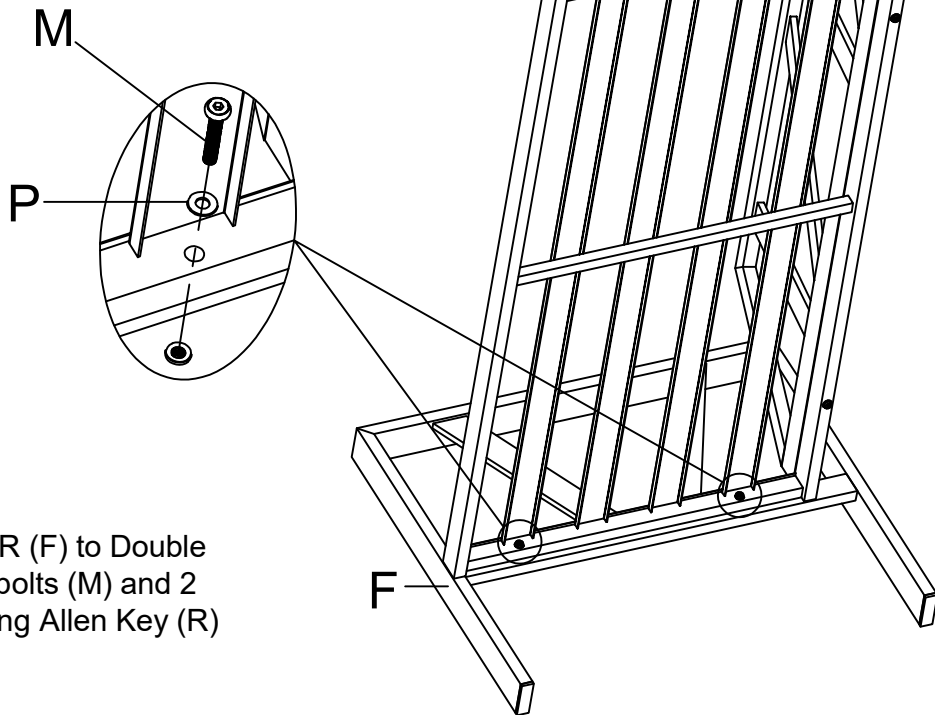


- Attach Armrest-L (G) to Double Seat (E) with 2 bolts (M) and 2 washers (P) using Allen Key (R) as shown.

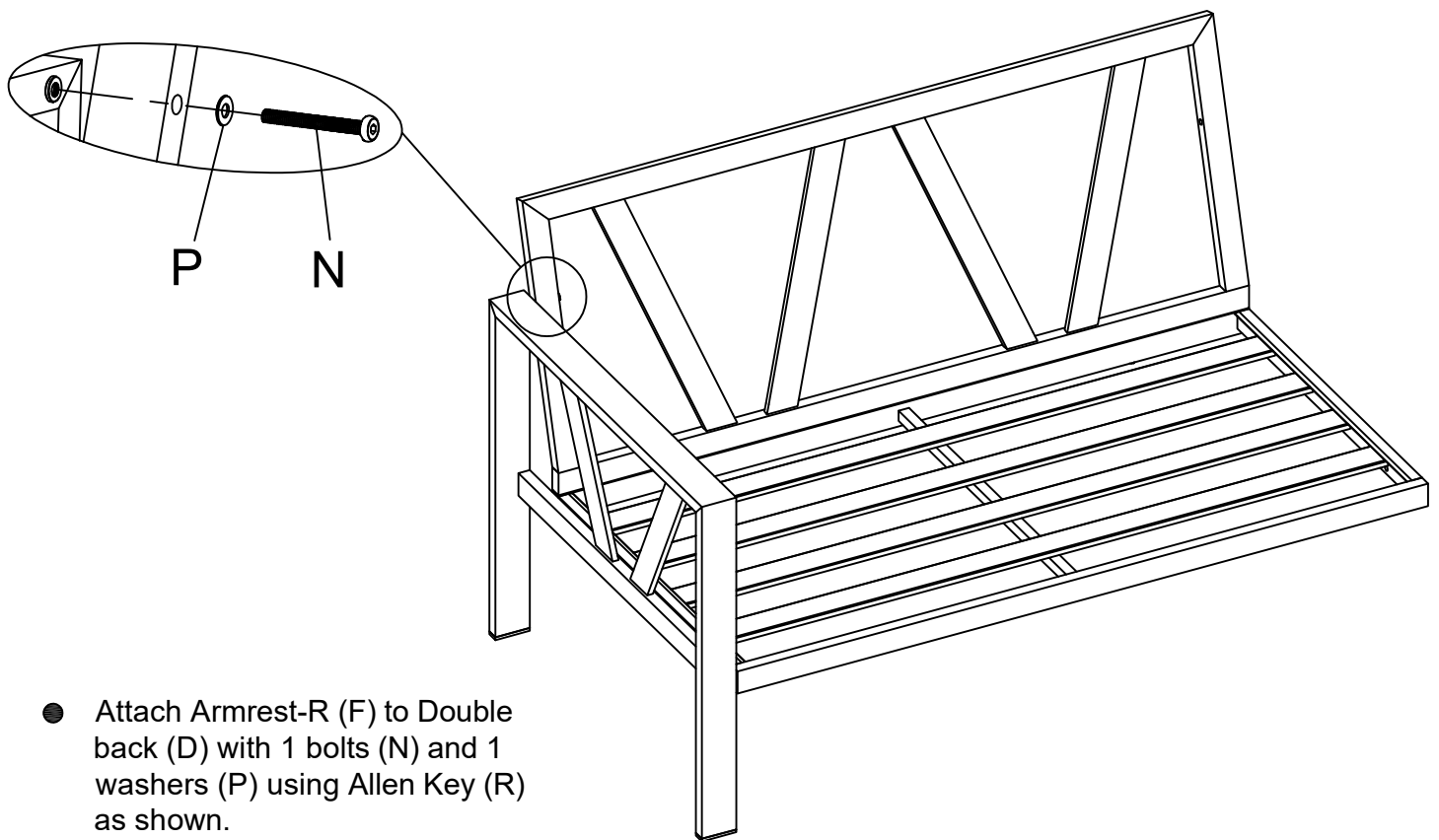


ATTENTION: Do not fully tighten until assembly is complete!

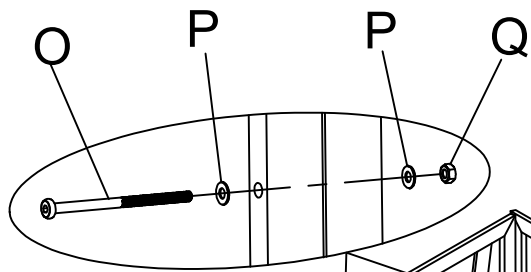




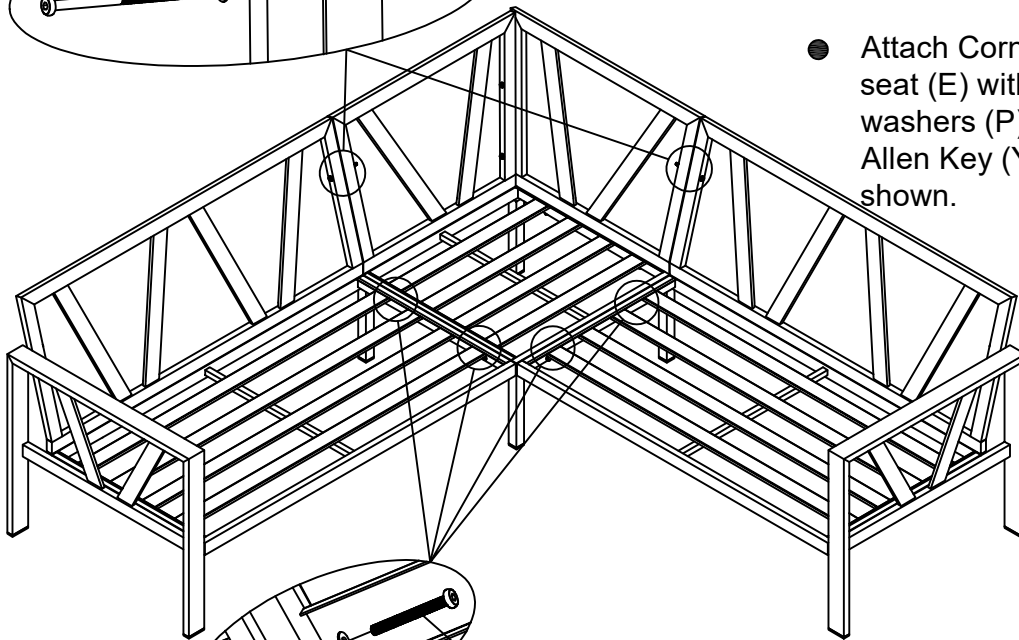
- Attach Armrest-R (F) to Double Seat (E) with 2 bolts (M) and 2 washers (P) using Allen Key (R) as shown.



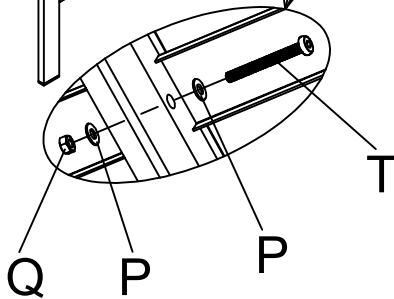
- Attach Armrest-R (F) to Double back (D) with 1 bolts (N) and 1 washers (P) using Allen Key (R) as shown.



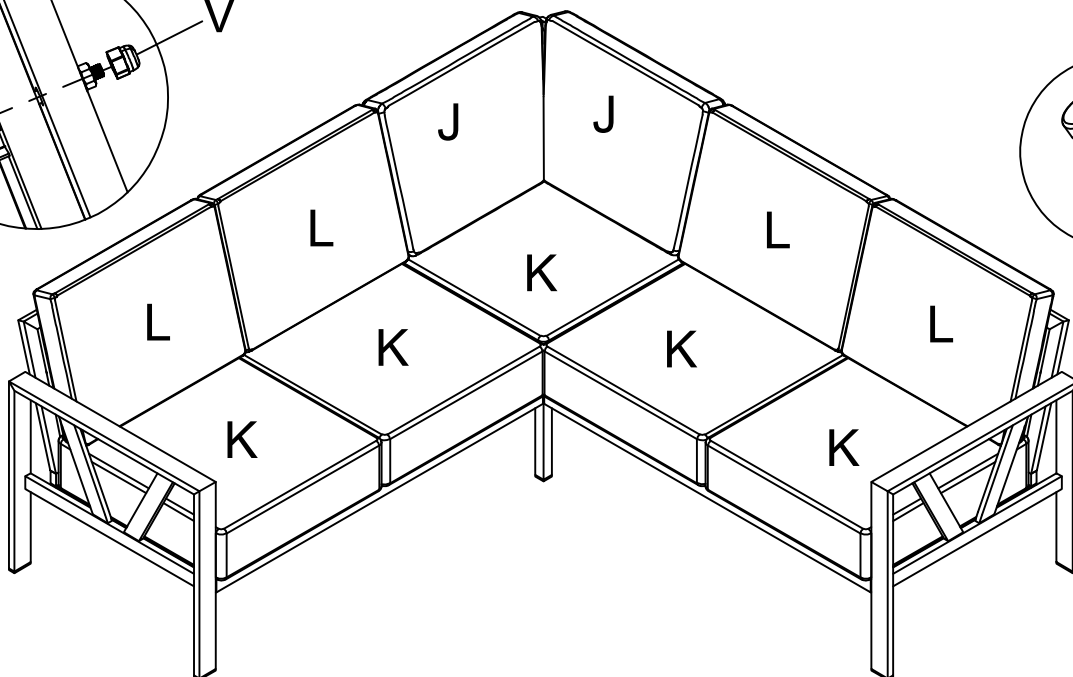
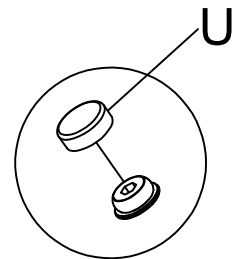
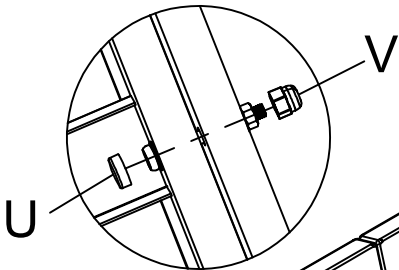
- Attach Corner back (B)(A) to 2 Double back (D) with 2 bolts (O) and 4 washers (P) and 2 Nut (Q) using Allen Key (R) and Spanner (W) as shown.



- Attach Corner seat (C) to 2 Double seat (E) with 4 bolts (T) and 8 washers (P) and 4 Nut (Q) using Allen Key (Y) and Spanner (W) as shown.

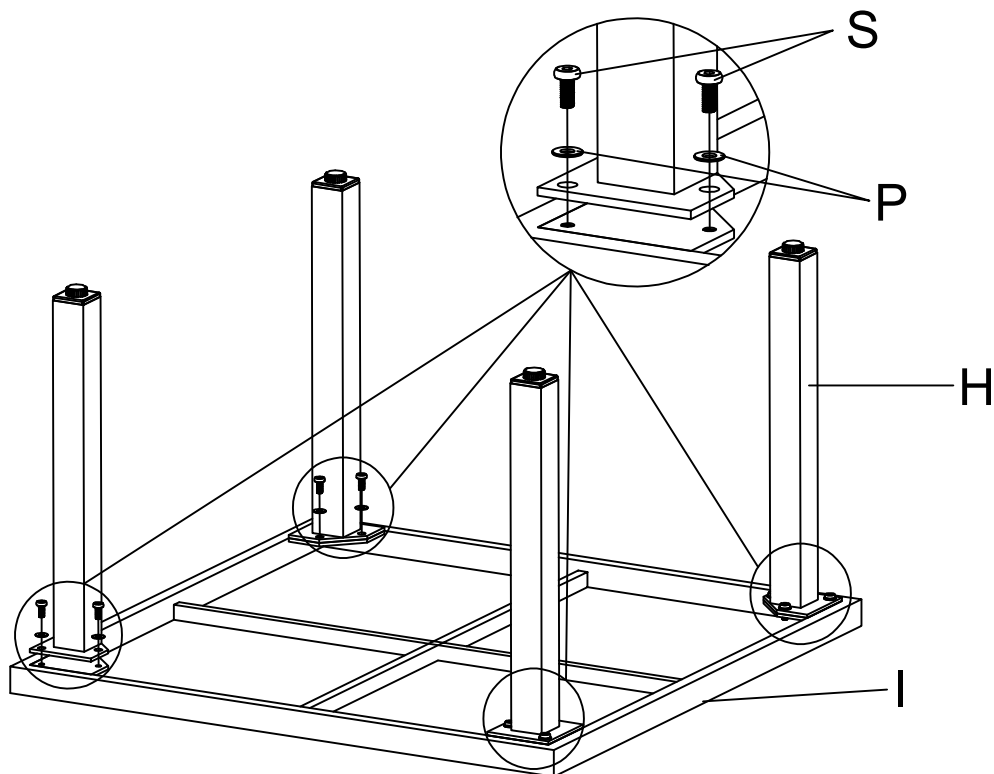


- Once all bolts have been inserted and started, then tighten all bolts.



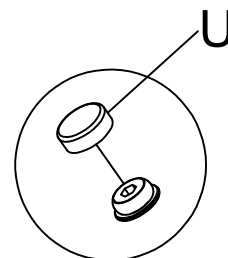
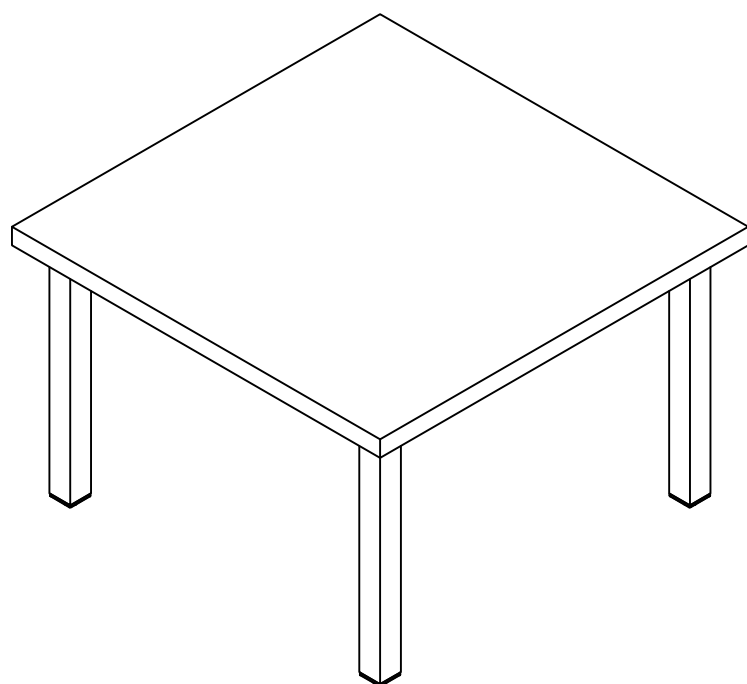
- Once all bolts have been inserted and started, then tighten all bolts and put on all bolt caps (U).
- Place seat cushion (K) and back cushion (L) and corner back (J) as shown.

ATTENTION: Do not fully tighten until assembly is complete!



- Attach 4 Table legs (H) to Table Top (I) with 12 bolts (S) and 12 washers (P) using Allen Key (R) as shown.

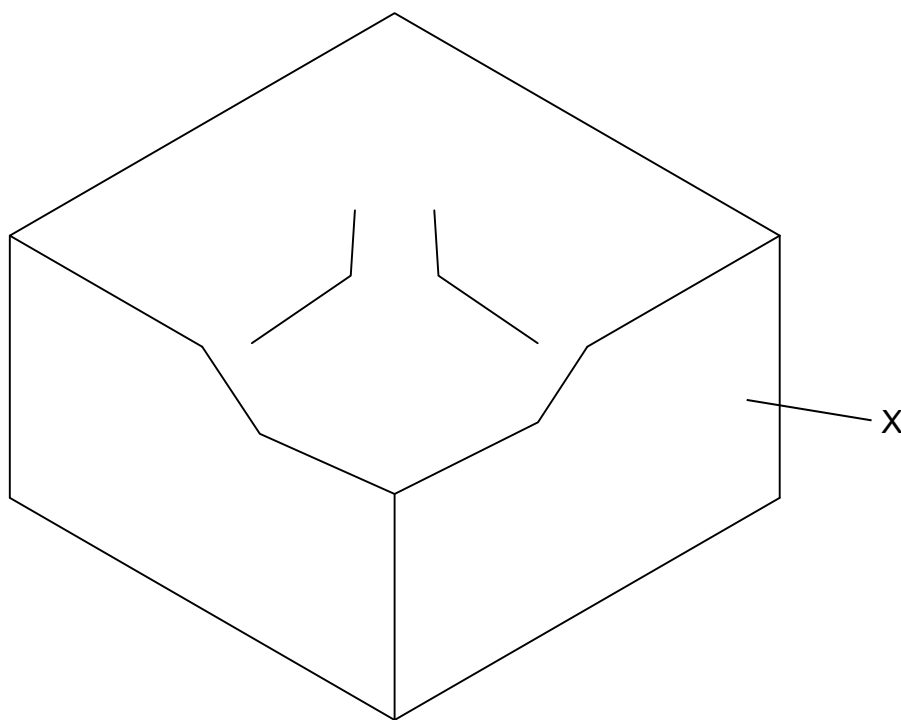
- Once all bolts have been inserted and started, then tighten all bolts.



- Once all bolts have been inserted and started, then tighten all bolts and put on all bolt caps (U).

- Level the table with adjustable feet cap if necessary.

The cover is made by oxford fabric with an added UV-stabilized & wather- proof coating, and a watherproof laminated backing could prevent wather from seeping through cover and keeps your conversation set dry and ready to use .



Thanks for choosing Comlax field collection.

If you have any questions, inquires or suggestions, pls contact us directly.

Always best services stand by.

Customer service email: info@comlax-intl.com

Attention: Products returned directly without permission will be rejected!

⚠ WARNING: This product can expose you to chemicals including Di(2-ethylhexyl) phthalate (DEHP), which is known to the State of California to cause cancer, and birth defects or other reproductive harm. For more information go to www.P65Warnings.ca.gov.